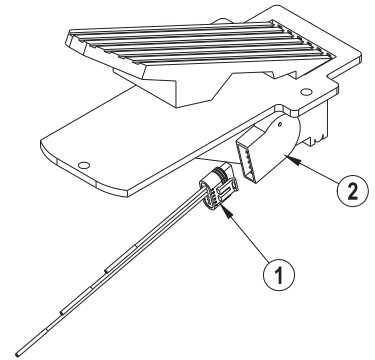


# 56381488 FOOT PEDAL SERVICE KIT

5730 / ENCORE R  
7730 / CR1000

## CONTENTS OF KIT

ITEM	PART NO.	QTY	DESCRIPTION
	56090079	1	Instruction Sheet
1	56381486	1	Adapter Foot Pedal
2	56381484	1	Foot Pedal FWD/REV



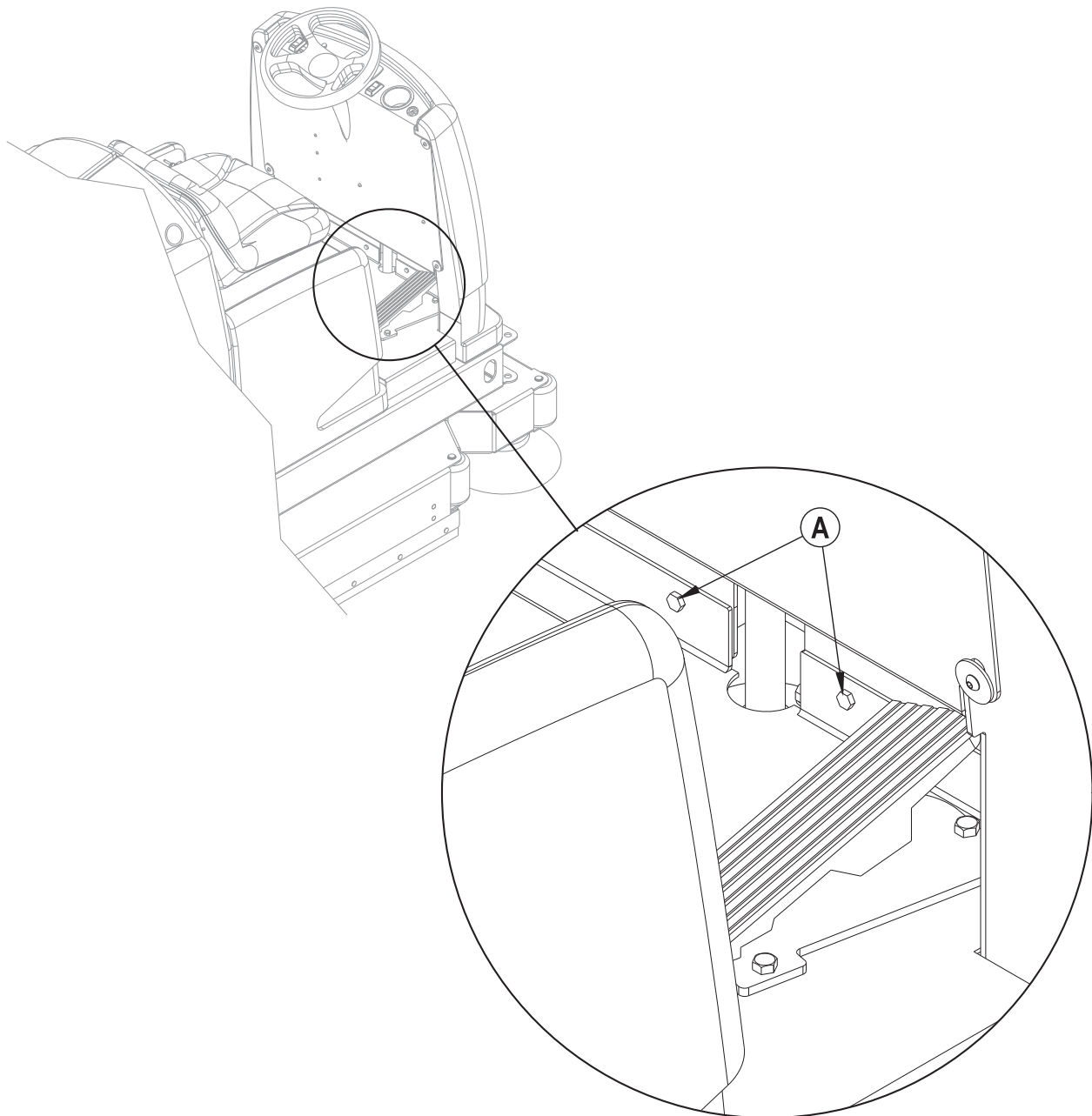
## 5730 / ENCORE R INSTALLATION INSTRUCTIONS

### WARNING!

DISCONNECT BATTERIES BEFORE SERVICING.

- 1 See Figure 1. Loosen the two mounting Screws (A) at the front of the floor panel.

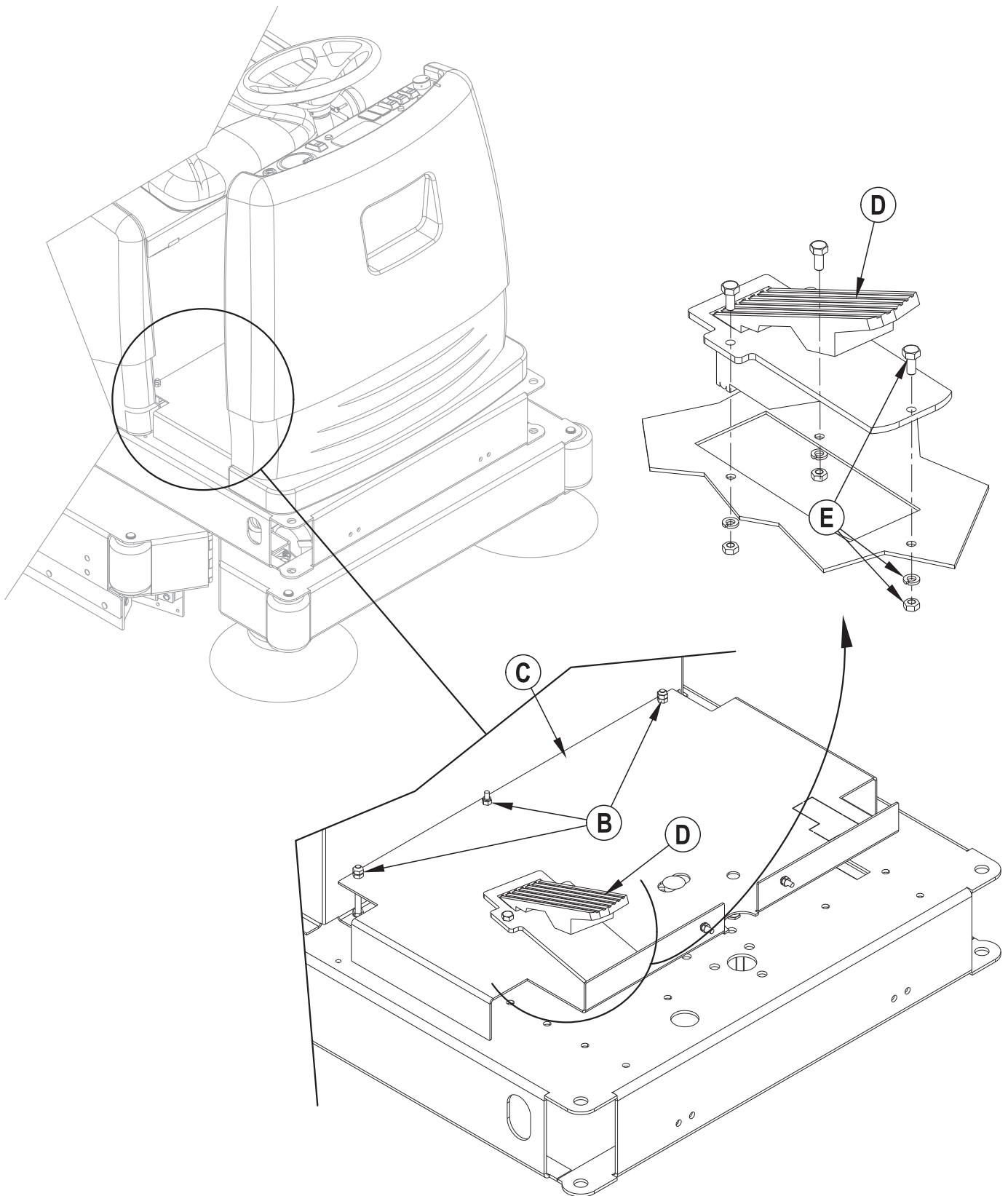
FIGURE 1



## REMOVE OLD FOOT PEDAL

- 2 See Figure 2. Remove the three Nuts (B) at the rear of the floor panel. Tilt the rear of the Floor Panel (C) up far enough to reach underneath and disconnect the wiring from the Foot Pedal Assy (D).
- 3 Remove the three Screws and Nuts (E) that hold the Foot Pedal (D) in place and remove it from the machine.

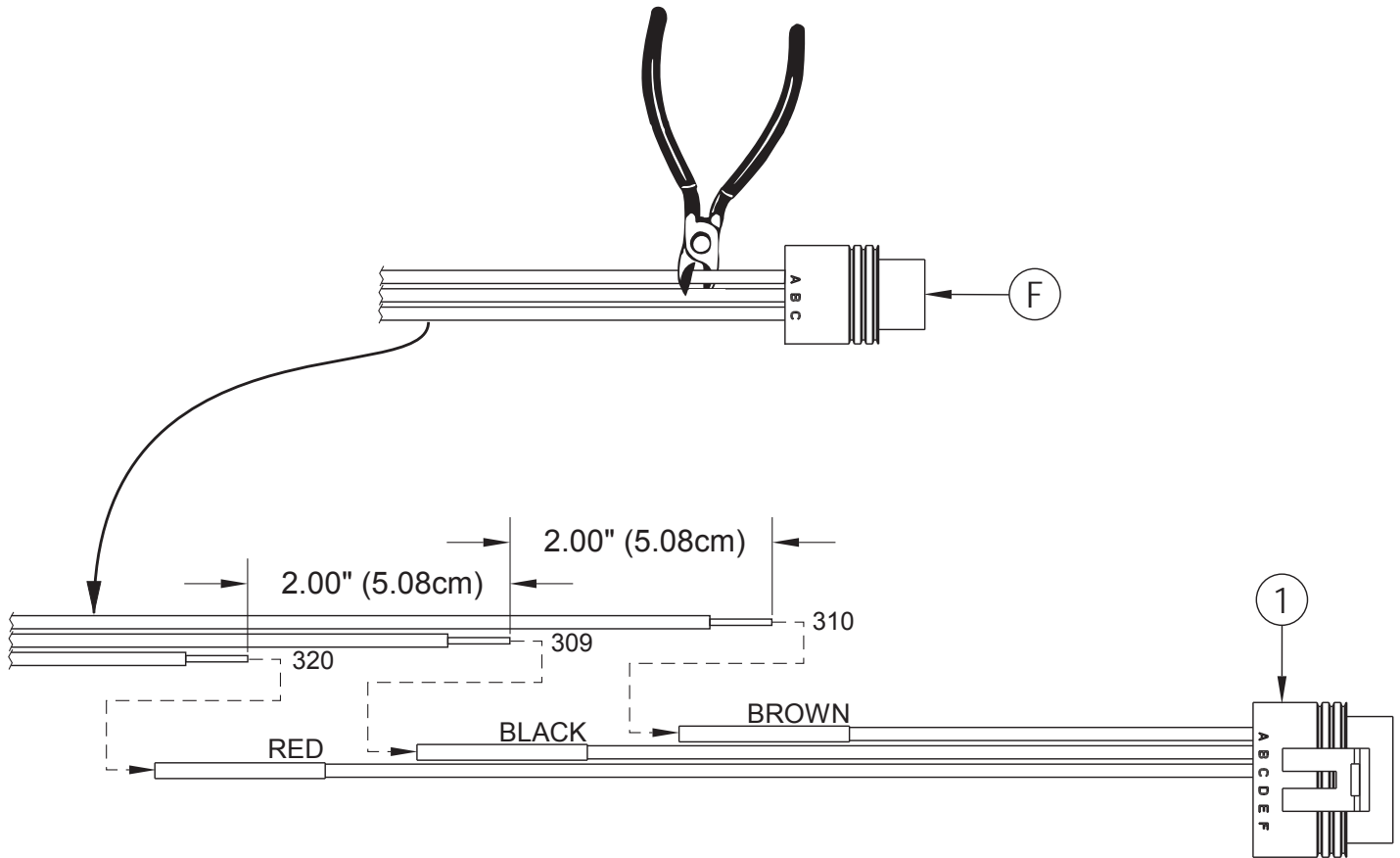
FIGURE 2



## INSTALL NEW FOOT PEDAL

- 4 See Figure 3. Cut the old foot pedal Wiring Connector (F) off of the machine harness. Cut and strip the three wires from the old connector as shown and then crimp each of them into the new Adapter (1) as shown.
- 5 Plug the new Adapter (1) into the new Foot Pedal (2) and mount the new Pedal in place of the original reusing the original three Screws and Nuts (E).

FIGURE 3



# 7730 / CR1000 INSTALLATION INSTRUCTIONS

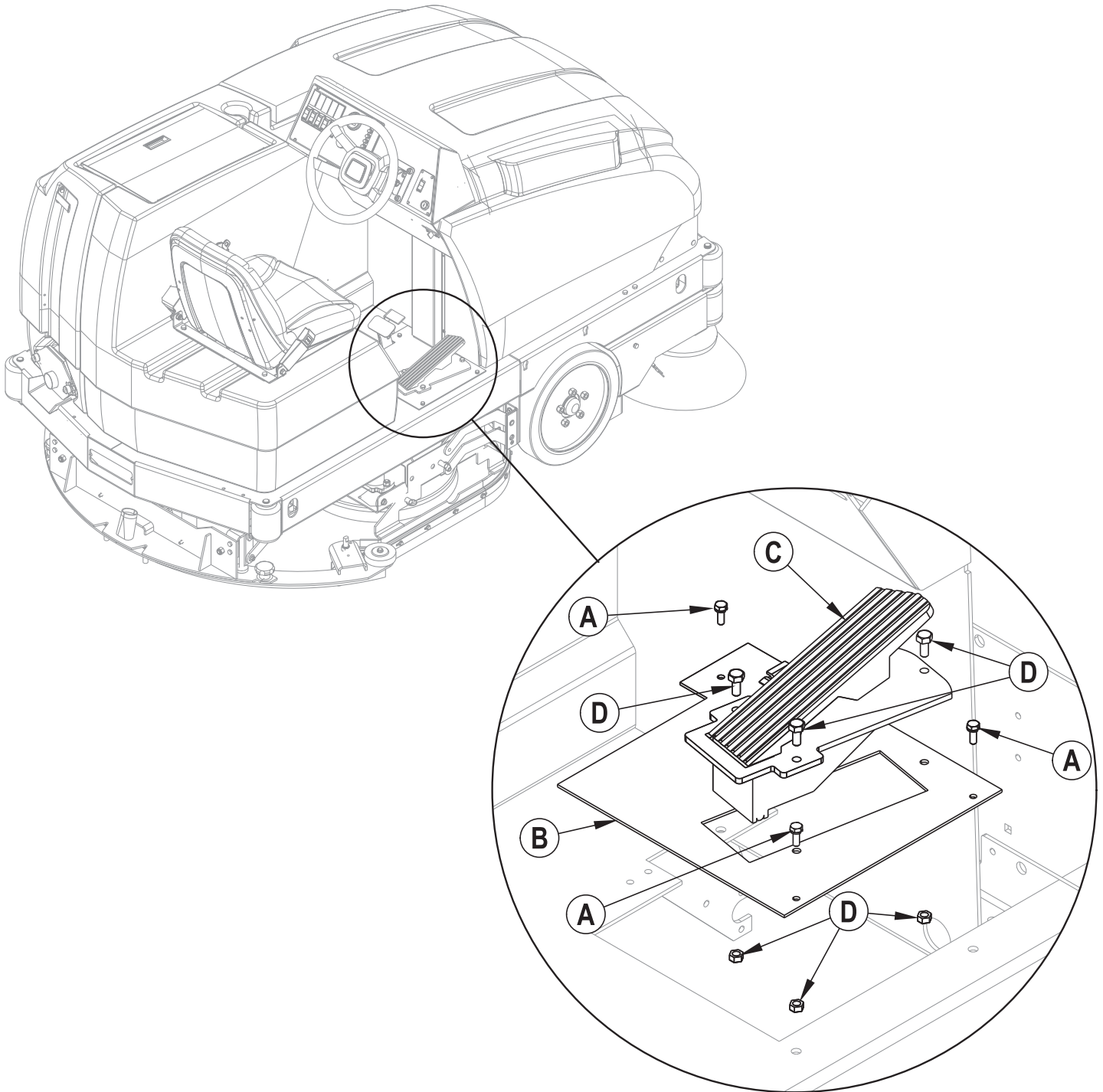
## **WARNING!**

DISCONNECT BATTERIES BEFORE SERVICING.

### REMOVE OLD FOOT PEDAL

- 1 See Figure 1. Remove the three Screws (A) and lift up Panel (B) far enough to disconnect the wiring from the old Foot Pedal (C).
- 2 Remove the three Screws and Nuts (D) that hold the Foot Pedal (C) in place and remove it from the machine.

FIGURE 1



### INSTALL NEW FOOT PEDAL

- 3 See Figure 2. Cut the old foot pedal Wiring Connector (E) off of the machine harness. Cut and strip the three wires from the old connector as shown and then crimp each of them into the new Adapter (1) as shown.
- 4 Plug the new Adapter (1) into the new Foot Pedal (2) and mount the new Pedal in place of the original reusing the original three Screws and Nuts (D).

FIGURE 2

