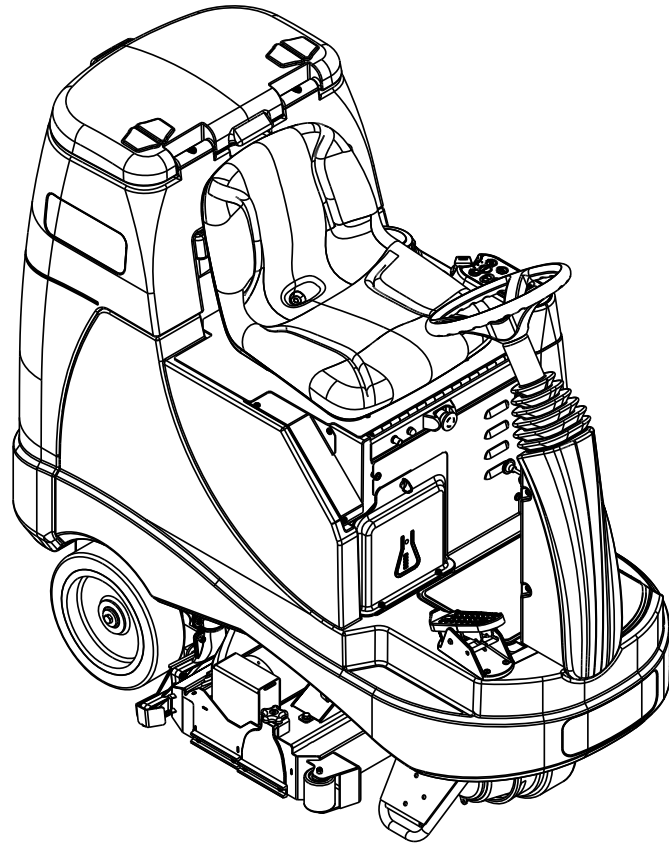


# ES4000

---



---

## PARTS LIST

Advance MODELS 56344200, 56344210



DESCRIPTION	PAGE
Chassis System-1 .....	2-3
Chassis System-2 .....	4-5
Decal System .....	6-7
Deck System .....	8-9
Shoe Linkage Assy .....	10
Solenoid Valve Assy .....	11
Electrical System .....	12-13
Electrical System-with Suppression .....	14-15
Onboard Charger Assy .....	16-17
Control System .....	18-19
Recovery System .....	20-21
Solution System .....	22-23
Ladder Diagram-1 .....	24-25
Ladder Diagram-2 .....	26-27
Optional Kits and Accessories .....	28

#### WHEN ORDERING PARTS

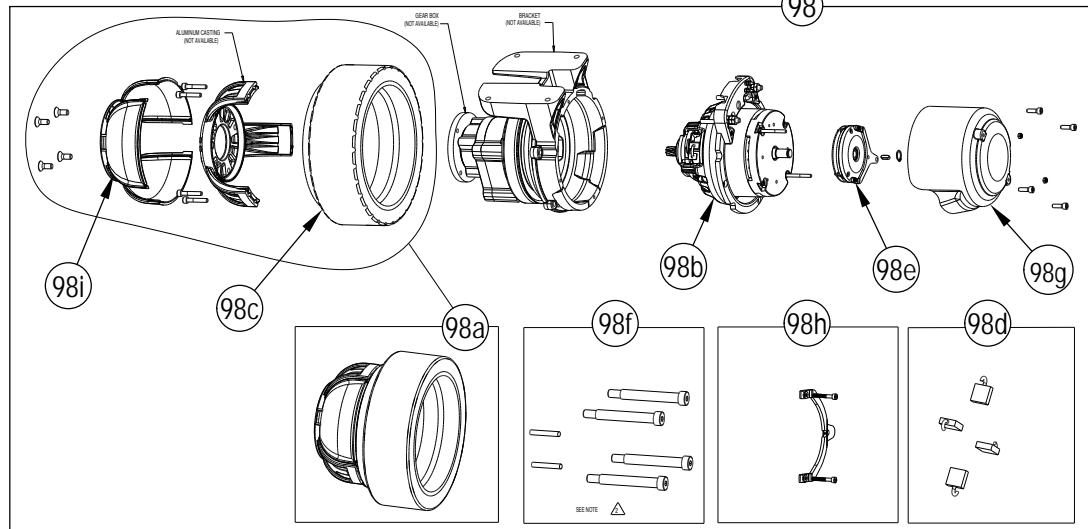
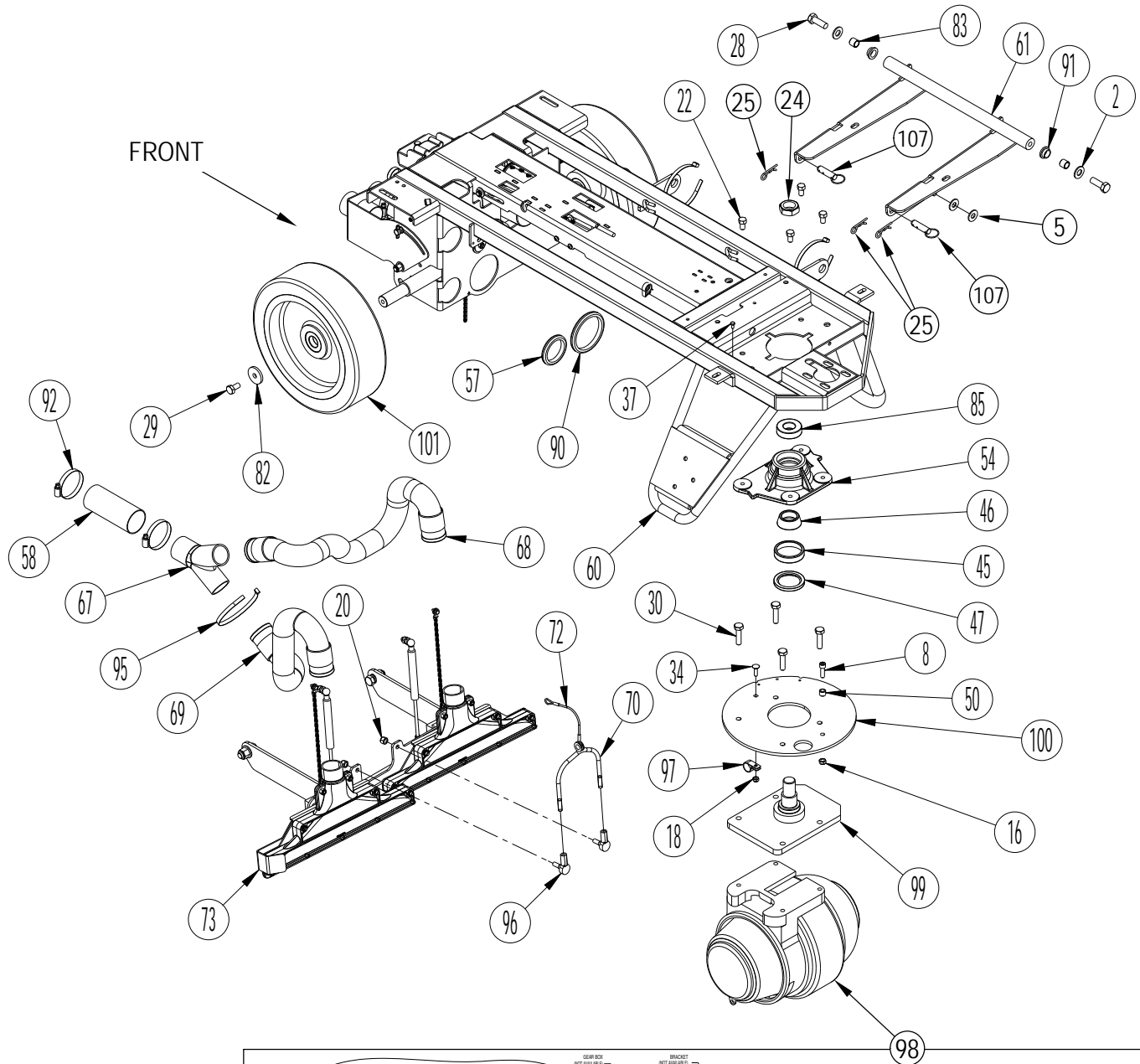
- \* Use the part numbers from the "Ref. No." columns in this parts list. If the "Ref. No." column is blank; look under the "Kit" column to identify which kit contains the part in question, then use the kit callout, for example "K1", to find the "Ref. No." for that kit.

Kit	Item	Ref. No.	Qty	Description
K1	1		16	Washer Flat 3/16 Zinc Plat
K1	2		2	Screw-BHS-Brass-10-32x3/8-MS
K1	3		3	Washer EPDM 7/32 X 1/8
	4	805	1	Chain-Cover
	5	905	2	Caster Swivel 4 Gray Non MA
K1	6		2	Nut, Hex Nyl Loc 10-24
K1	7		3	Scr- Hex SS 1/4-20 X .75
K1	8		16	Scr, Hex Hd Loc 1/4-20 x .50
K1	9		3	Wsh, Flt SS .260 X 1.000 X .074
	10	56113012	1	Solution Tank
	11	56113034	2	Hinge Plate
K1		56113103	1	Kit-Hardware Solution Tank

- \* Specify the model and serial number of the machine.

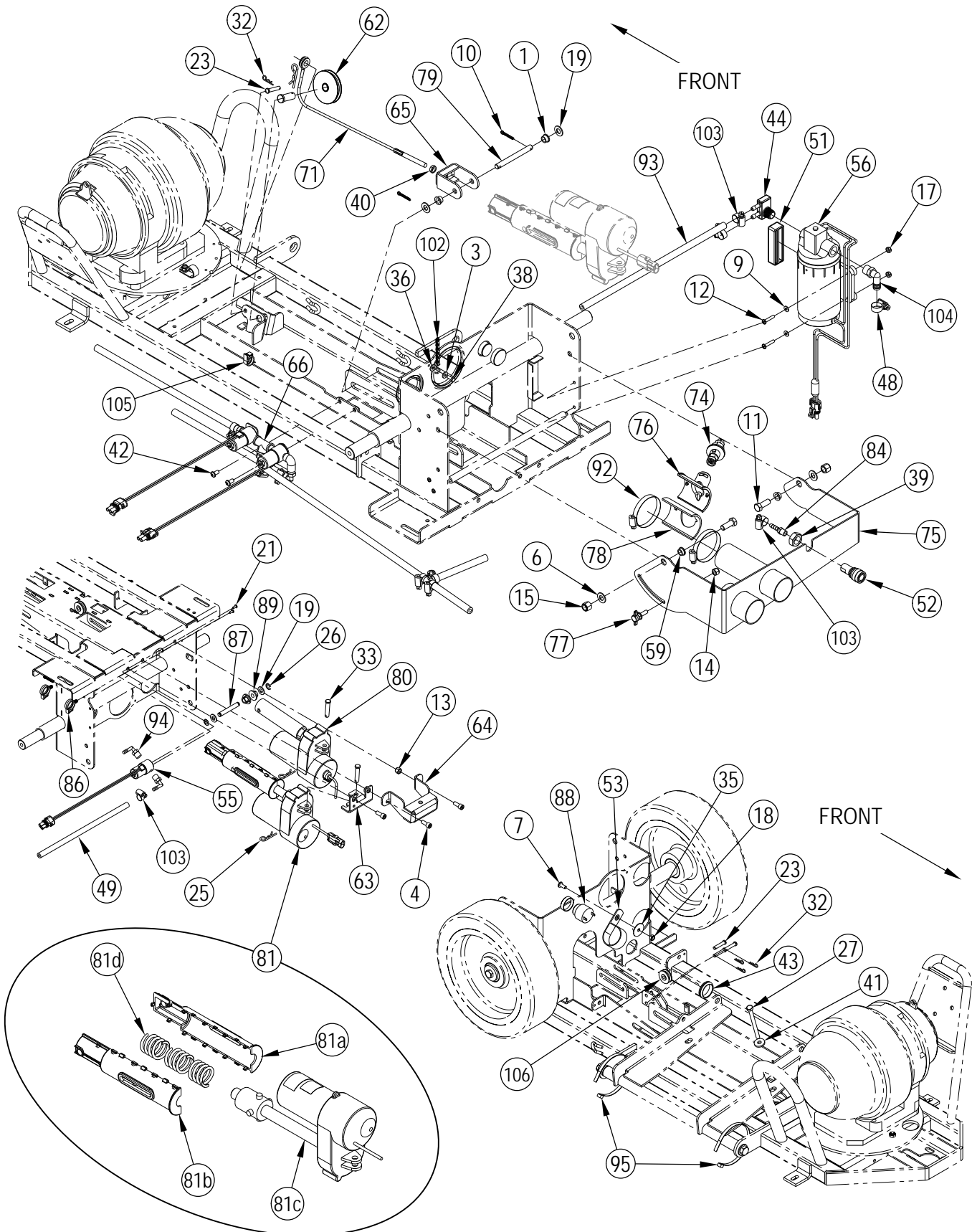
- \* Use the space below to record the model and serial number for future reference.

Model \_\_\_\_\_ Serial No. \_\_\_\_\_



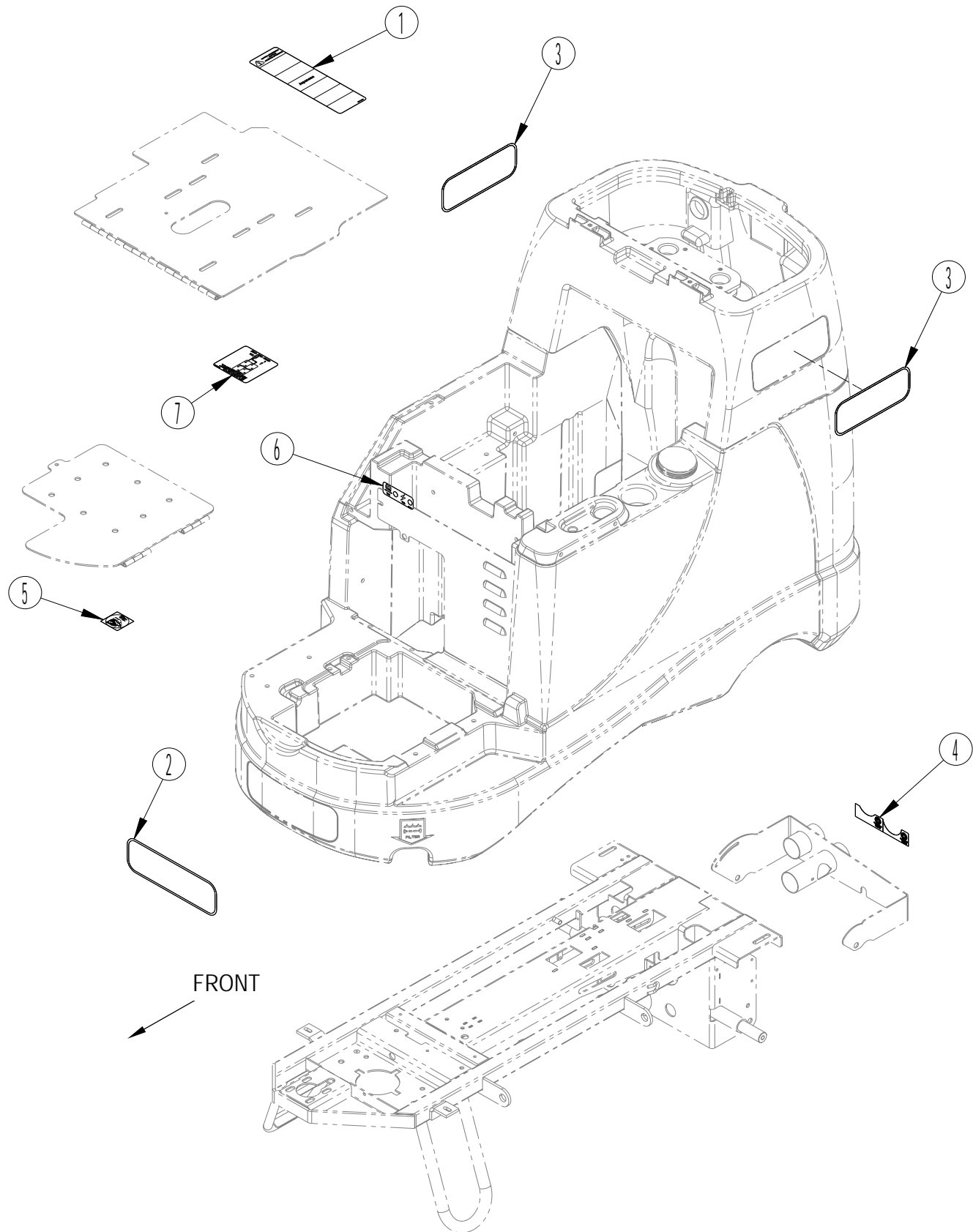
Kit	Item	Ref. No.	Qty	Description	Kit	Item	Ref. No.	Qty	Description
	1	56418162	2	Bearing, Flange	65		56344059	1	Yoke Weldment
K1	2		2	Wsh-Flt Sae 1/2	66		56344064	1	Valve Assembly (See Page 11)
K4	3		1	Wsh, Flt Sae #10	67		56344070	1	Y-Tube
K4	4		3	Scr, Soc Hd 5/16-18 X 0.75	68		56344075	1	Hose Assembly
K1	5		2	Wsh, Flt Std 3/8	69		56344086	1	Hose Assembly
K4	6		2	Wsh, Flt Sae 3/8	70		56344107	1	Lift Bar
K4	7		1	Scr-Pan Phil 1/4-20 X .62	71		56344108	1	Wire Rope Assembly
K4	8		1	Scr, Soc Hd 5/16-18 X 1.00	72		56344111	1	Wire Rope Assembly
K4,K15	9		2	Wsh, Flt Sae #8	73		56344122	1	Shoe Linkage Assembly (See Page 10)
K5	10		2	Pin,Cotter 1/8 X 1	74		56344132	1	Misting Nozzle Assy
K4	11		2	Scr, Hex 3/8-16 X 1.00	[ ]		56344150	1	Nozzle-Quick Veejet W/Body
K4,K15	12		2	Scr-Pan Phil 10-24 X 1.00	75		56344143	1	Connector Bracket Weldment
K4	13		1	Nut, Hex Nyl Loc 5/16-18	76		56344151	1	Misting Chamber Adapter
K4	14		1	Nut, Hex Nyl Loc 1/4-20	77		56344153	1	T-Knob Assembly
K4	15		2	Nut-Hex Nyl Loc 3/8-16	78		56344154	1	Gasket
K4	16		1	Nut, Hex Nyl Loc-Thin 5/16-18	79		56344157	1	Pin
K4,K15	17		2	Nut, Hex Nyl Loc-Thin 10-24	80		56344160	1	Actuator-Motor 24v (M3)
K4	18		2	Nut, Hex Nyl Loc-Thin 1/4-20	81		56344161	1	Lift Actuator Assembly (M4)
K5,K6	19		4	Wsh-Flt Sae Ss 3/8	81a		56109546	1	Spring Housing
K4	20		2	Nut, Hex Nyl Loc 5/16-24	81b		56109547	1	Spring Housing
K4	21		2	Scr, Pan Phil Ss 8-32 X .38	81c		56109597	1	Actuator-Motor
K4	22		4	Scr,Hex Hd Loc 3/8-16x.62	81d		56412071	3	Compression Spring
K5,K6	23		4	Pin-Clevis .25 X 1.25	82		56367117	2	Wsh, Flt .406 X 1.5 X .1875
K4	24		1	Nut, Hex Nyl Loc-Thin 1-14	K1	83		2	Bushing
K1,K4,	25		6	Pin, Cotter Hair	84		56369594	1	Barb, Adapter 1/4 X 1/8npt
K5					K2,K3	85		1	Bearing Ball
K6	26		2	Ring, Ret Ext Type E 0.38 Dia	86		56410247	2	Clip, Conduit
K4	27		1	Scr, Hex 5/16-18 X 3.75	87		56412088	1	Pin
K1	28		2	Scr, Hex Loc M12-1.75 X 35mm	88		56412177	1	Horn/Backup Alarm (H1)
K4	29		2	Scr, Hex Loc M10-1.5 X 20mm	K6	89		2	Spacer, Squeegee Cable
K4	30		4	Scr-Hex M10-1.5 X 40mm	K5	90		1	Grommet
K5	31		1	Pin-Clevis .50 X 1.25	K1	91		2	Bearing, Flange
K5,K6	32		4	Cotter, Hair Pin	92		56440213	4	Clamp- Hose Sae #32
K4	33		2	Pin-Clevis .375 X 1.75	93		56456560	1	15.00" Hose
K4	34		1	Scr-Carriage 1/4-20 X .88	94		56470138	2	Barb, 90 Elbow 1/4 X 1/4npt
K4	35		1	Wsh-Flt Ss .281 X 1.25 X .05	95		56477613	3	Tie, Cable
K4	36		1	Wsh, Int Shprf #10	96		56477756	2	Rod End
K4	37		1	Scr, Hex Thd Form 10-24 X .38	97		56486112	1	Clamp-P
K4	38		1	Scr, Hex Thd Form 10-24 X .50	98		56601050	1	Motor / Drive Wheel (M1)
K4	39		1	Nut-Hex Jam Ss 5/8-18	98a		56601472	1	Kit, Drive Motor Tire W/Hub (for 56601050)
K5	40		1	Nut, Hex Jam 5/16-18	98b		56601473	1	Replacement Motor, Drive Motor (for 56601050)
K4	41		1	Wsh, Flt .344 X .938 X .125	98c		56601471	1	Tire (for 56601050)
K4	42		2	Scr, Button Soc 1/4-20 X .50	98d		56601509	1	Carbon Brush Kit (for 56601050)
	43	56056871	1	Grommet	98e		56601507	1	Brake, Electromagnetic (for 56601050) (Y1)
K15	44	56109503	1	Double Barb Assy	98f		56422174	1	Tire Puller Kit (for 56601050)
K2,K3	45		1	Bearing Cup	98g		56601506	1	Drive Motor Cover (for 56601050)
K2,K3	46		1	Bearing Cone	98h		56380310	1	Kit, Brake Lever (for 56601050)
K2,K3	47		1	Seal,Shaft	98i		56504481	1	Cover, Gearbox Motor (for 56601050)
K15	48	56219932	1	Clamp- Hose Sae #6	99		56601077	1	Spindle Weldt
	49	56220043	1	Solution Feed Hose	100		56601159	1	Plate, Steering
	50	56244941	1	Bushing	101		56601482	2	Wheel
	51	56265033	1	Mount, Pump	102		56601716	1	Ground Chain
	52	56265208	1	Socket-1/8 Fpt	K15	103	56756364	5	Clamp- Hose Sae #4
	53	56305024	1	P-Clamp	K15	104	56900069	1	Barb, 90 Elbow 1/2 X 3/8npt
K2	54		1	Block, Bearing	105		56900756	1	Clip, Conduit
	55	56317024	1	Valve, Solenoid 24v (L1)	106		57275a	1	Pulley Squ. Cable
K15	56		1	Pump, 24vdc (M9, S5)	K1	107		2	Pin, Ring .50 X 1.25
	[ ]	56109587	1	Pump Head Assembly (for 56344177)	K1		56344180	1	Hardware Kit - Deck Linkage
	[ ]	56109588	1	Check Valve Assembly (for 56344177)	K2		56344188	1	Bearing Block Assembly
	57	56324195	1	Grommet	K3		56344181	1	Bearing Kit - Spindle
	58	56324358	1	Hose, Vac 2.00 X 5.00 X 975018	K4		56344185	1	Hardware Kit - Chassis
	59	56324505	2	Bearing, Flange	K5		56344186	1	Hardware Kit - Deck Lift
	60	56344033	1	Chassis Weldment	K6		56344187	1	Hardware Kit - Shoe Lift
K1	61		1	Deck Linkage Weldment	K15		56344177	1	Pump Kit
	62	56344043	1	Pulley-Wire Rope					
	63	56344056	1	Bracket-Actuator Weldt					
	64	56344057	1	Bracket-Actuator					

[ ] = Not Shown



Kit	Item	Ref. No.	Qty	Description	Kit	Item	Ref. No.	Qty	Description
	1	56418162	2	Bearing, Flange	65	56344059	1	Yoke Weldment	
K1	2		2	Wsh-Flt Sae 1/2	66	56344064	1	Valve Assembly (See Page 11)	
K4	3		1	Wsh, Flt Sae #10	67	56344070	1	Y-Tube	
K4	4		3	Scr, Soc Hd 5/16-18 X 0.75	68	56344075	1	Hose Assembly	
K1	5		2	Wsh, Flt Std 3/8	69	56344086	1	Hose Assembly	
K4	6		2	Wsh, Flt Sae 3/8	70	56344107	1	Lift Bar	
K4	7		1	Scr-Pan Phil 1/4-20 X .62	71	56344108	1	Wire Rope Assembly	
K4	8		1	Scr, Soc Hd 5/16-18 X 1.00	72	56344111	1	Wire Rope Assembly	
K4,K15	9		2	Wsh, Flt Sae #8	73	56344122	1	Shoe Linkage Assembly (See Page 10)	
K5	10		2	Pin,Cotter 1/8 X 1	74	56344132	1	Misting Nozzle Assy	
K4	11		2	Scr, Hex 3/8-16 X 1.00	[ ]	56344150	1	Nozzle-Quick Veejet W/Body	
K4,K15	12		2	Scr-Pan Phil 10-24 X 1.00	75	56344143	1	Connector Bracket Weldment	
K4	13		1	Nut, Hex Nyl Loc 5/16-18	76	56344151	1	Misting Chamber Adapter	
K4	14		1	Nut, Hex Nyl Loc 1/4-20	77	56344153	1	T-Knob Assembly	
K4	15		2	Nut-Hex Nyl Loc 3/8-16	78	56344154	1	Gasket	
K4	16		1	Nut, Hex Nyl Loc-Thin 5/16-18	79	56344157	1	Pin	
K4,K15	17		2	Nut, Hex Nyl Loc-Thin 10-24	80	56344160	1	Actuator-Motor 24v (M3)	
K4	18		2	Nut, Hex Nyl Loc-Thin 1/4-20	81	56344161	1	Lift Actuator Assembly (M4)	
K5,K6	19		4	Wsh-Flt Sae Ss 3/8	81a	56109546	1	Spring Housing	
K4	20		2	Nut, Hex Nyl Loc 5/16-24	81b	56109547	1	Spring Housing	
K4	21		2	Scr, Pan Phil Ss 8-32 X .38	81c	56109597	1	Actuator-Motor	
K4	22		4	Scr,Hex Hd Loc 3/8-16x.62	81d	56412071	3	Compression Spring	
K5,K6	23		4	Pin-Clevis .25 X 1.25	82	56367117	2	Wsh, Flt .406 X 1.5 X .1875	
K4	24		1	Nut, Hex Nyl Loc-Thin 1-14	K1	83	2	Bushing	
K1,K4,	25		6	Pin, Cotter Hair	84	56369594	1	Barb, Adapter 1/4 X 1/8npt	
K5					K2,K3	85	1	Bearing Ball	
K6	26		2	Ring, Ret Ext Type E 0.38 Dia	86	56410247	2	Clip, Conduit	
K4	27		1	Scr, Hex 5/16-18 X 3.75	87	56412088	1	Pin	
K1	28		2	Scr, Hex Loc M12-1.75 X 35mm	88	56412177	1	Horn/Backup Alarm (H1)	
K4	29		2	Scr, Hex Loc M10-1.5 X 20mm	K6	89	2	Spacer, Squeegee Cable	
K4	30		4	Scr-Hex M10-1.5 X 40mm	K5	90	1	Grommet	
K5	31		1	Pin-Clevis .50 X 1.25	K1	91	2	Bearing, Flange	
K5,K6	32		4	Cotter, Hair Pin	92	56440213	4	Clamp- Hose Sae #32	
K4	33		2	Pin-Clevis .375 X 1.75	93	56456560	1	15.00" Hose	
K4	34		1	Scr-Carriage 1/4-20 X .88	94	56470138	2	Barb, 90 Elbow 1/4 X 1/4npt	
K4	35		1	Wsh-Flt Ss .281 X 1.25 X .05	95	56477613	3	Tie, Cable	
K4	36		1	Wsh, Int Shprf #10	96	56477756	2	Rod End	
K4	37		1	Scr, Hex Thd Form 10-24 X .38	97	56486112	1	Clamp-P	
K4	38		1	Scr, Hex Thd Form 10-24 X .50	98	56601050	1	Motor / Drive Wheel (M1)	
K4	39		1	Nut-Hex Jam Ss 5/8-18	98a	56601472	1	Kit, Drive Motor Tire W/Hub (for 56601050)	
K5	40		1	Nut, Hex Jam 5/16-18	98b	56601473	1	Replacement Motor, Drive Motor (for 56601050)	
K4	41		1	Wsh, Flt .344 X .938 X .125	98c	56601471	1	Tire (for 56601050)	
K4	42		2	Scr, Button Soc 1/4-20 X .50	98d	56601509	1	Carbon Brush Kit (for 56601050)	
	43	56056871	1	Grommet	98e	56601507	1	Brake, Electromagnetic (for 56601050) (Y1)	
K15	44	56109503	1	Double Barb Assy	98f	56422174	1	Tire Puller Kit (for 56601050)	
K2,K3	45		1	Bearing Cup	98g	56601506	1	Drive Motor Cover (for 56601050)	
K2,K3	46		1	Bearing Cone	98h	56380310	1	Kit, Brake Lever (for 56601050)	
K2,K3	47		1	Seal,Shaft	98i	56504481	1	Cover, Gearbox Motor (for 56601050)	
K15	48	56219932	1	Clamp- Hose Sae #6	99	56601077	1	Spindle Weldt	
	49	56220043	1	Solution Feed Hose	100	56601159	1	Plate, Steering	
	50	56244941	1	Bushing	101	56601482	2	Wheel	
	51	56265033	1	Mount, Pump	102	56601716	1	Ground Chain	
	52	56265208	1	Socket-1/8 Fpt	K15	103	5	Clamp- Hose Sae #4	
	53	56305024	1	P-Clamp	K15	104	1	Barb, 90 Elbow 1/2 X 3/8npt	
K2	54		1	Block, Bearing	105	56900756	1	Clip, Conduit	
	55	56317024	1	Valve, Solenoid 24v (L1)	106	57275a	1	Pulley Squ. Cable	
K15	56		1	Pump, 24vdc (M9, S5)	K1	107	2	Pin, Ring .50 X 1.25	
	[ ]	56109587	1	Pump Head Assembly (for 56344177)	K1	56344180	1	Hardware Kit - Deck Linkage	
	[ ]	56109588	1	Check Valve Assembly (for 56344177)	K2	56344188	1	Bearing Block Assembly	
	57	56324195	1	Grommet	K3	56344181	1	Bearing Kit - Spindle	
	58	56324358	1	Hose, Vac 2.00 X 5.00 X 975018	K4	56344185	1	Hardware Kit - Chassis	
	59	56324505	2	Bearing, Flange	K5	56344186	1	Hardware Kit - Deck Lift	
	60	56344033	1	Chassis Weldment	K6	56344187	1	Hardware Kit - Shoe Lift	
K1	61		1	Deck Linkage Weldment	K15	56344177	1	Pump Kit	
	62	56344043	1	Pulley-Wire Rope					
	63	56344056	1	Bracket-Actuator Weldt					
	64	56344057	1	Bracket-Actuator					

[ ] = Not Shown





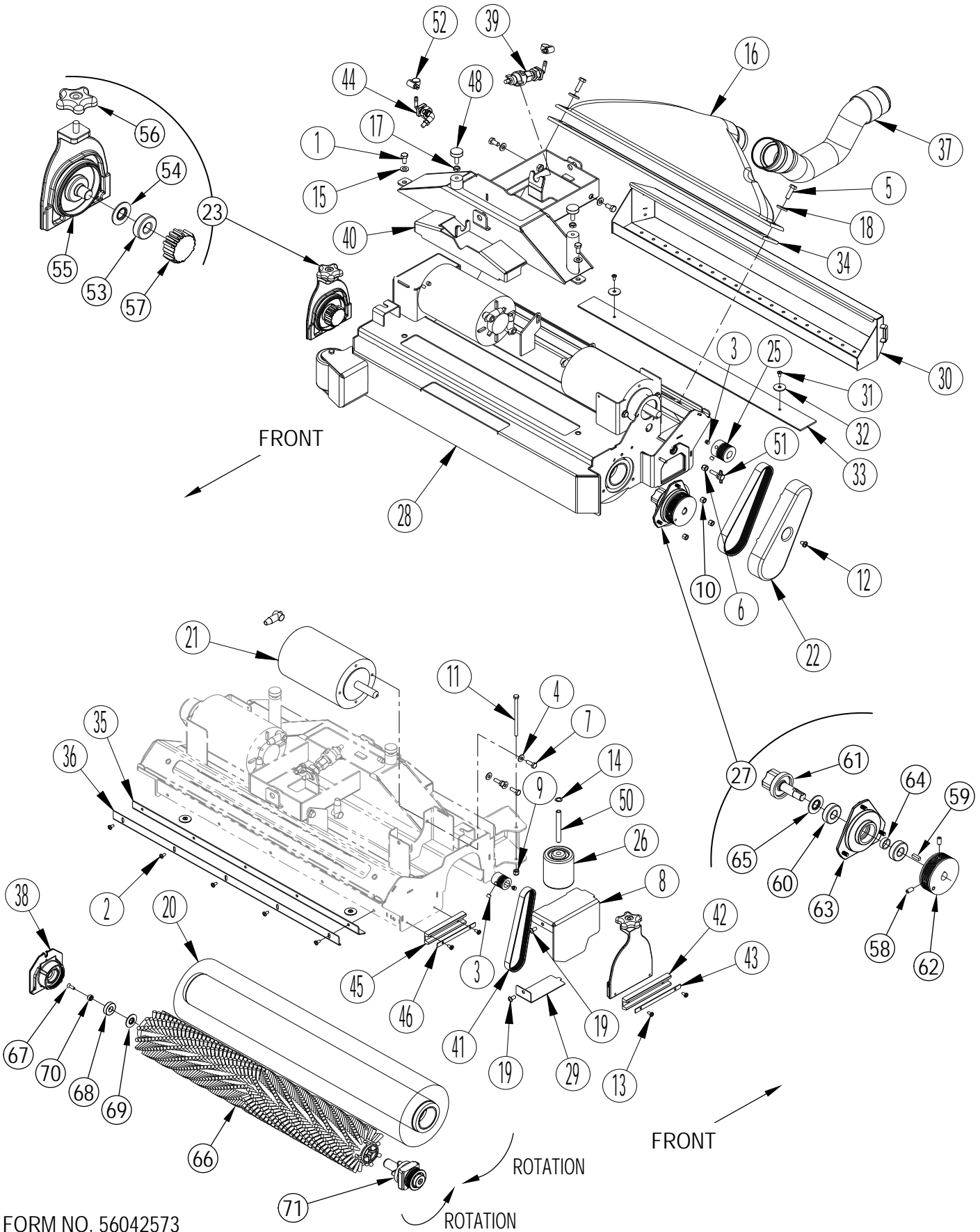
03-11

**DECAL SYSTEM**

**ES4000**

**7**

Kit	Item	Ref. No.	Qty	Description
K23	1		1	Decal, Caution
K23	2		1	Decal-Advance
K23	3		2	Decal
K23	4		1	Decal-Wet Dry
K23	5		1	Decal Open When Charging
K23	6		1	Decal, Circuit Breaker
K23	7		1	Decal-Battery Wiring
	K23	56344197	1	Decal Kit - ES4000



Kit	Item	Ref. No.	Qty	Description	Kit	Item	Ref. No.	Qty	Description
K20	1		4	Scr, Hex Ss 5/16-18 X .62		40	56344081	1	Deck Bracket Weldment
K7	2		5	Scr-Pan Phil Ss 10-24 X .38		41	56344141	1	Belt-Auto Tension
K20	3		4	Scr, Soc Set Loc 5/16-18 X .25	K9	42		1	Bumper
K20	4		6	Wsh, Flt Sae 1/4	K9	43		1	Bumper Retainer
K20	5		2	Scr, Hex Ss 5/16-18 X 1.00		44	56344156	1	Restoration Nozzle Assy
K20	6		1	Nut, Hex Nyl Loc Ss 1/4-20		[ ]	56344138	1	Nozzle-Spray
K20	7		6	Scr,Hex Hd Loc 1/4-20x.75	K9	45		1	Bumper
	8	56344028	1	Belt Guard	K9	46		1	Bumper Retainer
K8	9		1	Nut-Hex Nyl Loc M6-1		47	56344170	1	Sheave Poly-V
K20	10		3	Nut, Hex Nyl Loc Ss M6-1		48	56401783	2	Leg Leveler 5/16-18
K8	11		1	Scr-Hex M6-1 X 100mm		49	56409538	4	Insulator, Terminal
K20	12		1	Scr, Pan Phil Thd Form 1/4-20 X .38	K8	50		1	Bushing
K9	13		4	Scr, Pan Phil Thd Form 10-24 X .38		51	56602244	1	T-Knob Assembly
K20	14		1	Wsh, Bowed .375x.578x.060		52	56756364	2	Clamp- Hose Sae #4
K20	15		4	Wsh, Int Shprf 5/16		53	56106070	1	Bearing, Ball
	16	56344080	1	Tube Intake		54	56407558	1	Washer Bearing
K20	17		2	Nut, Hex Jam 5/16-18		55	56315447	1	Idler Bearing Plate
K20	18		2	Wsh, Flt .344 X .938 X .125		56	56396254	1	Knob
K20	19		2	Scr, Button Soc 1/4-20 X .50		57	56407551	1	Hub Brush
	20	56314633	1	Brush Multi Surface 28		58	56002119	2	Scr, Soc Set Loc 1/4-20 X .50
	21	56315061	2	Motor-24 Vdc .5 Hp 1800 Rpm (M7, M8)		59	56003237	1	Key, Sq .19 X .62
	[ ]	56412257	1	Brush Cap Assy (for 56315061)		60	56106070	2	Bearing, Ball
	[ ]	56412287	1	Motor Brush/Spring Kit (for 56315061)		61	56109527	1	Spindle
	[ ]	56412258	4	Brush Assy (for 56315061)		62	56316054	1	Sheave, Poly-V
	[ ]	56412259	4	Brush Spring (for 56315061)		63	56381765	1	Bearing Plate
	22	56315445	1	Cover Belt		64	56407389	1	Spacer
	23	56315448	1	Idler End Assy (#53-57)		65	56407558	1	Washer Bearing
	24	56316053	1	Belt, Auto Tension	K10,K14	66		1	Brush Multi-Surface
	25	56316066	1	Sheave, Poly-V	K14	67		1	Plug, Bearing
K8	26		1	Wheel	K14	68		1	Scr-Flt Phil Ss 10-24 x .62
	27	56317157	1	Drive End Assy (#58-65)	K14	69		1	Bearing, Ball
	28	56344000	1	Deck Weldment	K14	70		1	Washer, Bearing
	29	56344011	1	Bracket-Belt Cover	K11	71		1	Pulley/Drive Spindle Kit
K18	30		1	Hopper Weldment		K7	56344182	1	Rear Deflector Kit
K18	31	56003189	2	Scr, Pan Phil Ss 10-24 X .38		K8	56344183	1	Bumper Wheel Kit
K18	32	56009060	2	Wsh, Flt Ss .260 X 1.000 X .074		K9	56344184	1	Bumper Kit
K18	33	56344140	1	Blade Hopper		K10	56344191	1	Brush Assembly
	34	56344083	1	Gasket Intake		K11	56344192	1	Pulley/Drive Spindle Kit
K7	35		1	Deflector-Rear		K14	56344178	1	Bearing Kit
K7	36		1	Clamping Bar		K18	56344179	1	Hopper Assembly
	37	56344110	1	Hose-Molded		K20	56344194	1	Hardware Kit - Scrub System
	38	56602041	1	Block Bearing					
	39	56344137	1	Maintenance Nozzle Assy					
	[ ]	56262099	1	Nozzle-Spray					

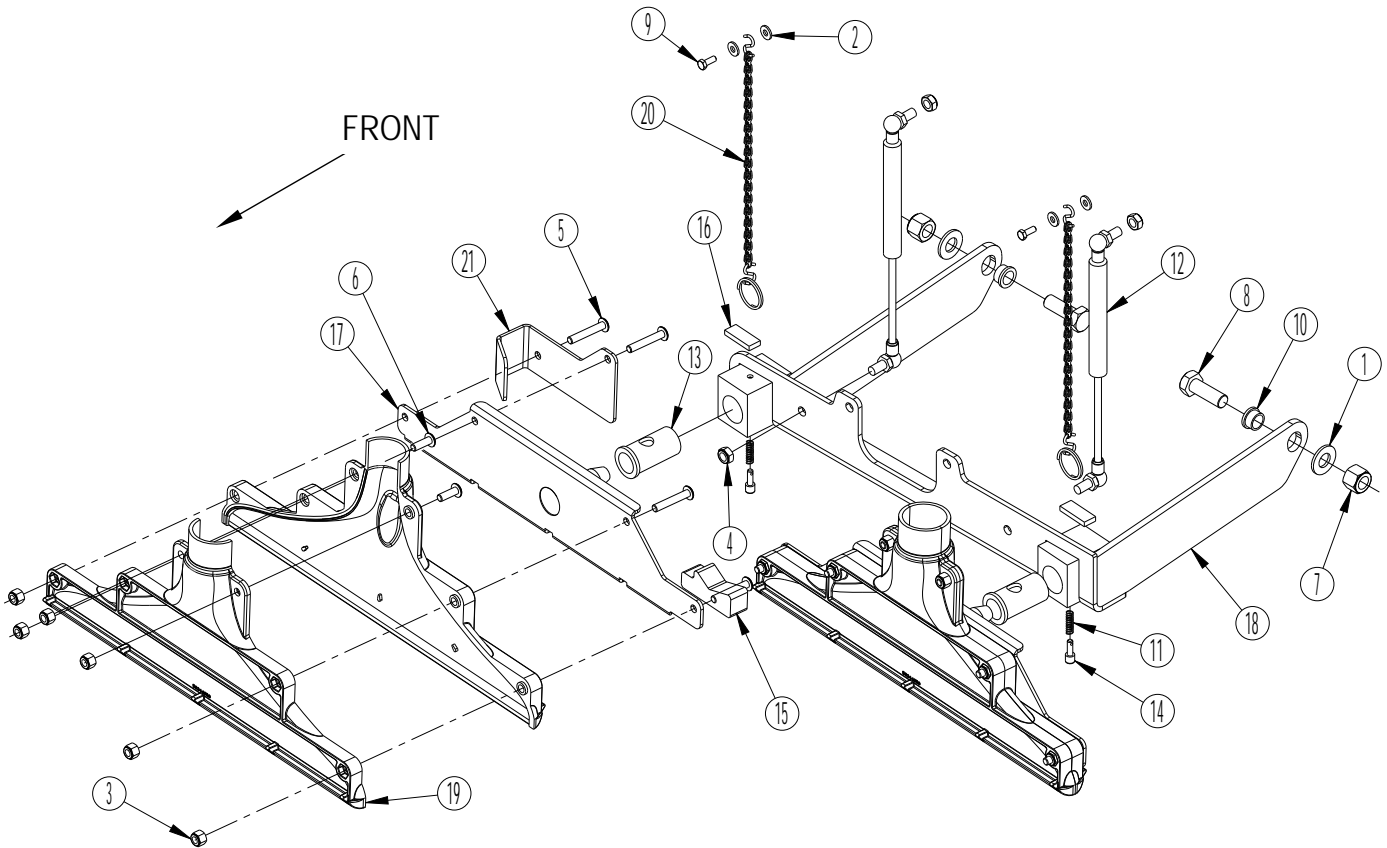
[ ] = Not Shown

# SHOE LINKAGE ASSY

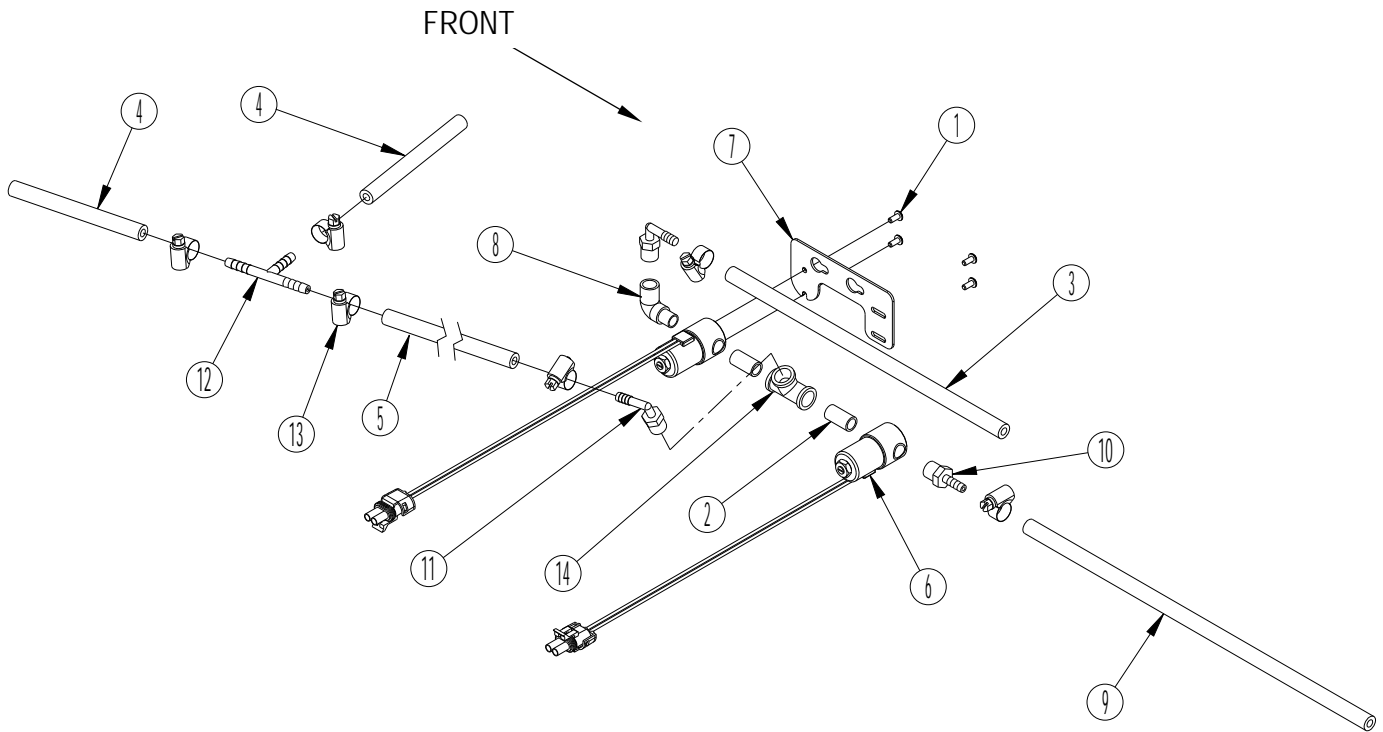
03-11

10

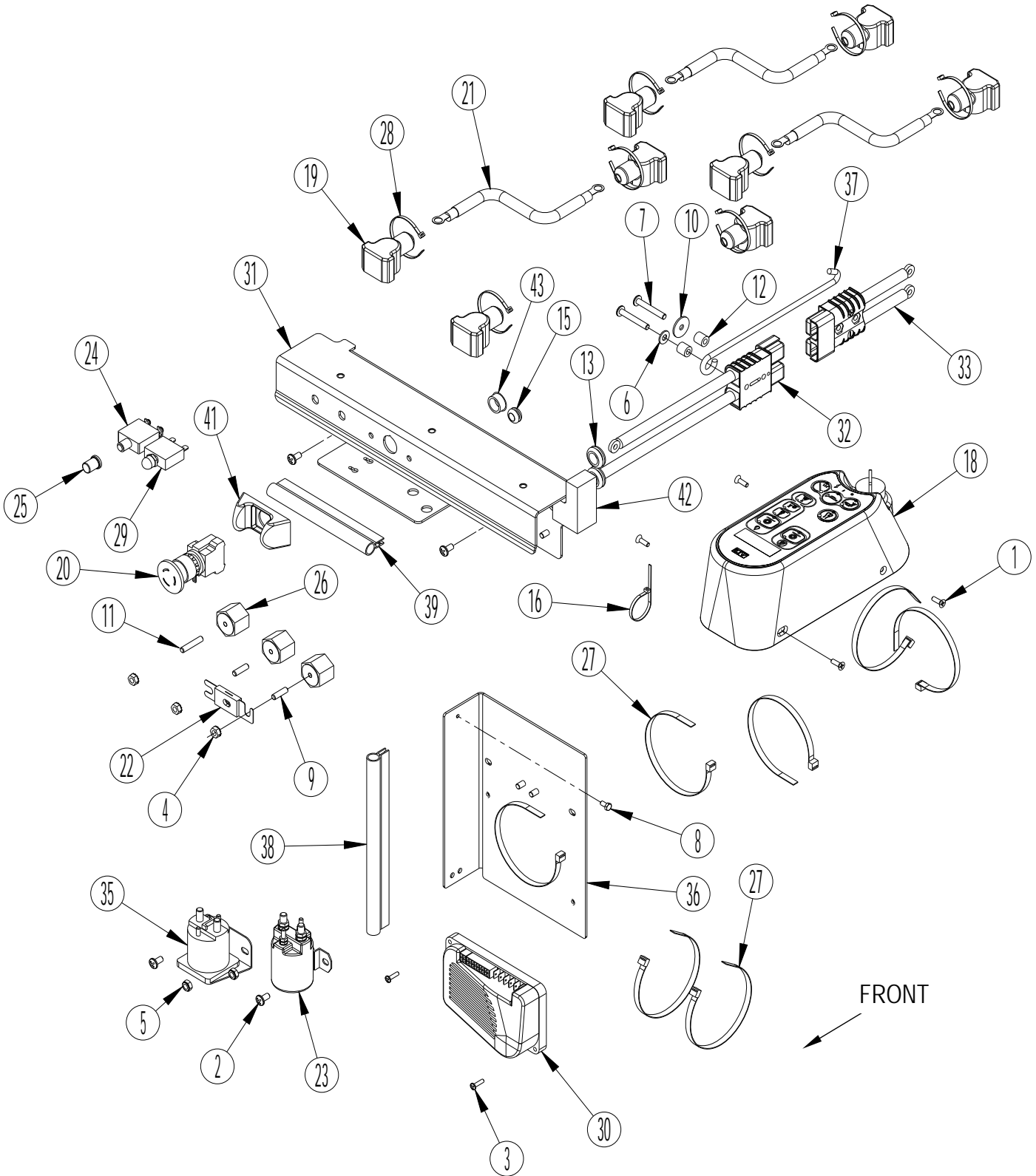
ES4000



Kit	Item	Ref. No.	Qty	Description
K13	1		2	Wsh-Flt Sae 1/2
K13	2		4	Wsh, Flt Sae #10
K12	3		12	Nut, Hex Nyl Loc Ss 1/4-20
K13	4		4	Nut, Hex Nyl Loc-Thin 5/16-18
K12	5		8	Scr, Pan Phil Ss 1/4-20 X 1.50
K12	6		4	Scr, Pan Phil Ss 1/4-20 X .75
K13	7		2	Nut-Hex Nyl Loc M12-1.75
K13	8		2	Scr-Hex M12-1.75 X 35mm
K13	9		2	Scr, Hex Thd Form 10-24 X .50
K13	10		2	Bearing, Flange
K13	11		2	Spring, Compression
	12	56314206	2	Gas Spring
	13	56317092	2	Bearing, Flange
K13	14		2	Pin
	15	56317156	1	Shoe Spacer, Foam
	16	56317164	2	Foam Strip
K12	17		2	Shoe Bracket Weldment
	18	56344039	1	Shoe Support Weldment
K12	19		4	Shoe-Extractor
	20	56344123	2	Chain Assembly
	21	56344139	1	Deflector
K12	56344189		1	Shoe Assembly
K13	56344190		1	Hardware Kit - Shoe Linkage

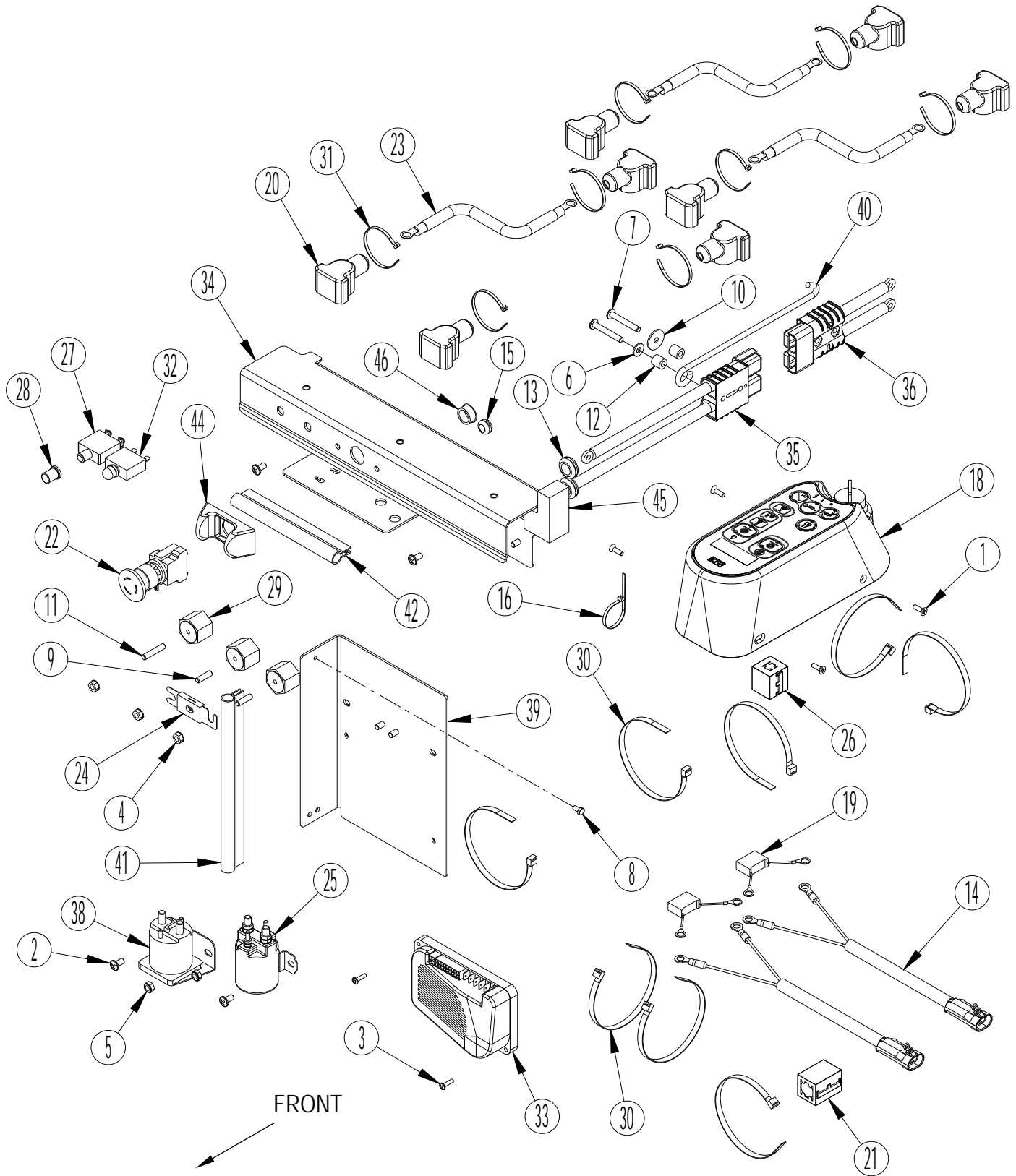


Kit	Item	Ref. No.	Qty	Description
	1	56003018	4	Scr, Pan Phil Ss 8-32 X .38
K19	2		2	Nipple, 1/4npt X .88/1.12
	3	56220043	1	Solution Feed Hose
	4	56264260	2	5.00" Hose
	5	56265373	1	Hose, 1/4 X 21.00l, E00160
	6	56317024	2	Valve, Solenoid 24v (L2, L3)
	7	56344063	1	Bracket-Valve
K19	8		1	Elbow, 90 Street
	9	56456560	1	15.00" Hose
K19	10		1	Barb, Adapter 1/4 X 1/4npt
K19	11		2	Barb, 90 Elbow 1/4 X 1/4npt
	12	56508441	1	Tee, 1/4 Id Hose, Barb
	13	56756364	6	Clamp- Hose Sae #4
K19	14		1	Tee, Female Union
K19	56344174		1	Fitting Kit - Valve Assembly



Kit	Item	Ref. No.	Qty	Description
K22	1		4	Scr, Flt Phil 10-24 X .62
K22	2		4	Scr-Pan Phil 1/4-20 X .50
K22	3		2	Scr-Pan Phil 8-32 X .62
K22	4		3	Nut, Hex W/ Shprf 1/4-20
K22	5		2	Nut, Hex Nyl Loc-Thin 1/4-20
K22	6		1	Wsh-Flt Sae Ss 1/4
K22	7		2	Scr-Pan Phil 1/4-20 X 1.75
K22	8		1	Scr, Hex Thd Form 10-24 X .38
K22	9		2	Stud
K22	10		1	Wsh, Flt Ss .260 X 1.000 X .074
K22	11		1	Stud, 1/4-20
	12	56046309	2	Spacer, Phenolic
	13	56157376	2	Grommet
[14]	56315320		2	Harness, Brush Motor
	15	56321540	1	Grommet
	16	56325219	1	Tie, Cable
[17]	56344092		1	Harness-Main
	18	56344105	1	Interface Panel Assy (A1)
[ ]	56344093		1	Kit, Interface Panel (Membrane Switch, Interface Panel)
[ ]	56303553		1	Key Switch (S1)
[ ]	56303526	A/R		Replacement Key Set
	19	56372673	8	Boot-Battery Post
	20	56407130	1	Disconnect, Emergency (S4)
	21	56409485	3	Cable,Battery
	22	56412089	1	Fuse, 150 Amp (F1)
	23	56412179	1	Contactor, 24 Vdc (K2)
	24	56454429	1	Circuit Breaker, 70 Amp (CB1)
	25	56459369	1	Boot, Reset Button
	26	56469858	3	Electrical Mount
	27	56477613	7	Tie, Cable
	28	56478246	8	Tie, Cable
	29	56507644	1	Circuit Breaker, 10 Amp (CB2)
	30	56601061	1	Controller, Speed (A2)
	31	56601105	1	Panel
	32	56601171	1	Connector Assy
	33	56601172	1	Connector Assy
[34]	56601175		1	Traction Drive
	35	56601183	1	Contactor 24v, 100 Amp (K1)
	36	56601185	1	Panel
	37	56601215	1	Prop Rod, Seat
	38	56601251	1	Gasket
	39	56601252	1	Gasket
[40]	56601431		1	Cable, Jumper
	41	56601434	1	Emergency Button Guard
	42	56601600	1	Foam Insert
	43	56900144	1	Plug, Cap
K22	56344196		1	Hardware Kit - Electrical System

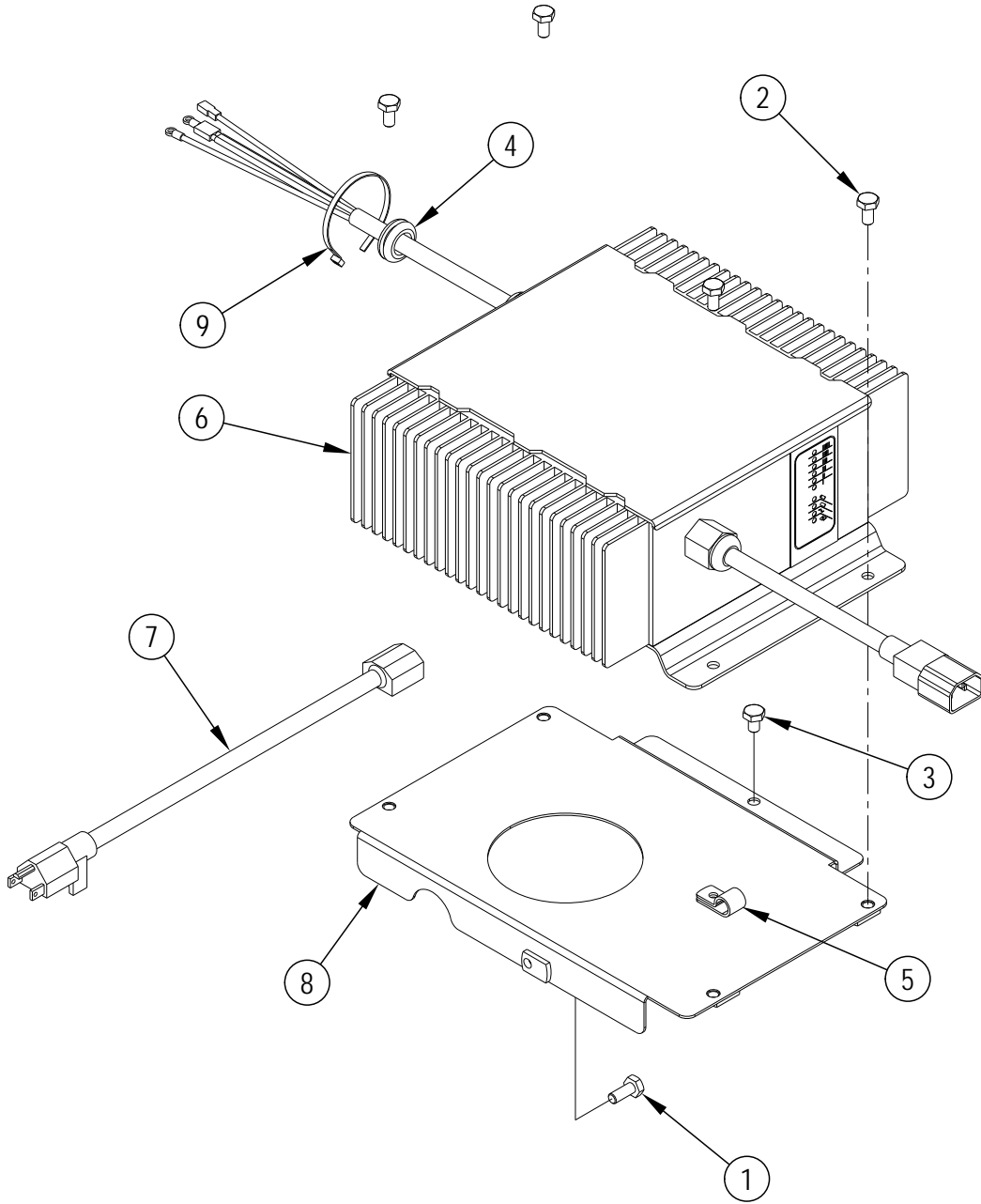
[ ] = Not Shown





Kit	Item	Ref. No.	Qty	Description
K22	1		4	Scr, Flt Phil 10-24 X .62
K22	2		4	Scr-Pan Phil 1/4-20 X .50
K22	3		2	Scr-Pan Phil 8-32 X .62
K22	4		3	Nut, Hex W/ Shprf 1/4-20
K22	5		2	Nut, Hex Nyl Loc-Thin 1/4-20
K22	6		1	Wsh-Flt Sae Ss 1/4
K22	7		2	Scr-Pan Phil 1/4-20 X 1.75
K22	8		1	Scr, Hex Thd Form 10-24 X .38
K22	9		2	Stud
K22	10		1	Wsh, Flt Ss .260 X 1.000 X .074
K22	11		1	Stud, 1/4-20
	12	56046309	2	Spacer, Phenolic
	13	56157376	2	Grommet
[14]	56315320		2	Harness-Brush Motor
	15	56321540	1	Grommet
	16	56325219	1	Tie, Cable
[17]	56344092		1	Harness-Main
	18	56344105	1	Interface Panel Assy (A1)
	[ ]	56344093	1	Kit, Interface Panel (Membrane Switch, Interface Panel)
	[ ]	56303553	1	Key Switch (S1)
	[ ]	56303526	A/R	Replacement Key Set
	19	56344173	2	Capacitor Assy
	20	56372673	8	Boot-Battery Post
	21	56380004	1	Ferrite Bead
	22	56407130	1	Disconnect, Emergency (S4)
	23	56409485	3	Cable,Battery
	24	56412089	1	Fuse, 150 Amp (F1)
	25	56412179	1	Contacto, 24 Vdc (K2)
	26	56413883	1	Ferrite Bead
	27	56454429	1	Circuit Breaker, 70 Amp (CB1)
	28	56459369	1	Boot, Reset Button
	29	56469858	3	Electrical Mount
	30	56477613	8	Tie, Cable
	31	56478246	8	Tie, Cable
	32	56507644	1	Circuit Breaker, 10 Amp (CB2)
	33	56601061	1	Controller, Speed (A2)
	34	56601105	1	Panel
	35	56601171	1	Connector Assy
	36	56601172	1	Connector Assy
[37]	56601175		1	Traction Drive
	38	56601183	1	Contacto 24v, 100 Amp (K1)
	39	56601185	1	Panel
	40	56601215	1	Prop Rod, Seat
	41	56601251	1	Gasket
	42	56601252	1	Gasket
[43]	56601431		1	Cable, Jumper
	44	56601434	1	Emergency Button Guard
	45	56601600	1	Foam Insert
	46	56900144	1	Plug, Cap
K22	56344196		1	Hardware Kit - Electrical System

[ ] = Not Shown

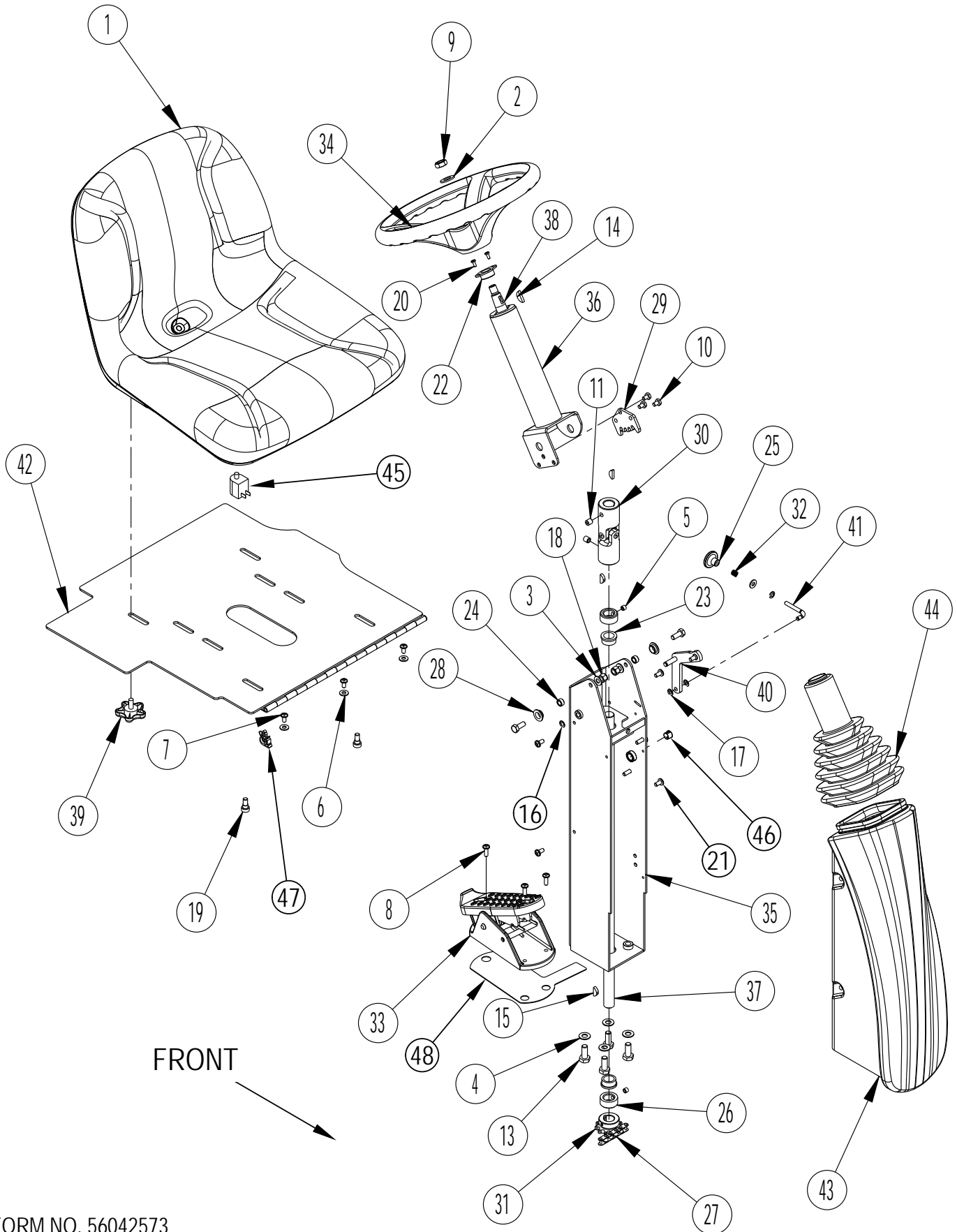


03-11

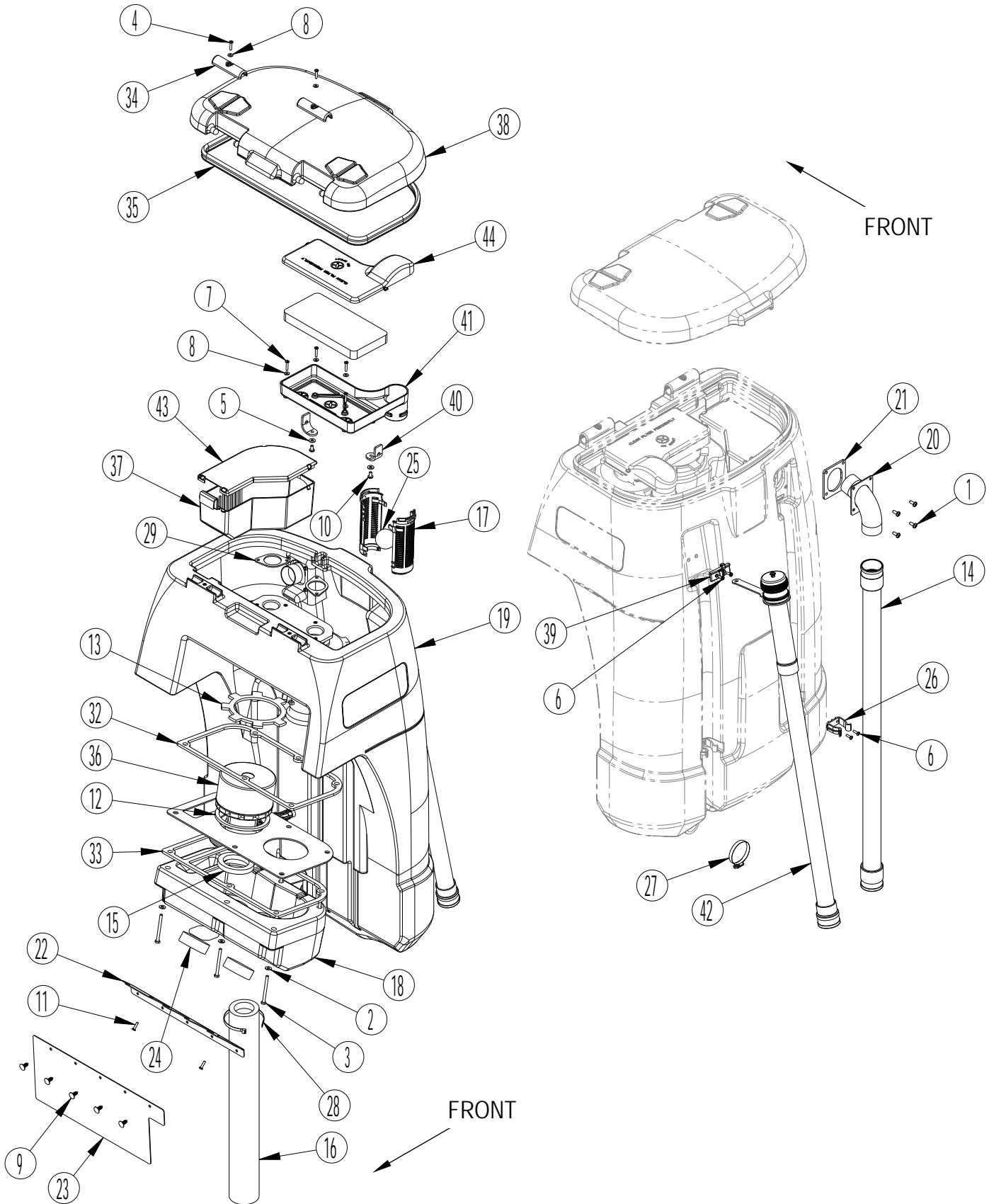
**ONBOARD CHARGER ASSY****ES4000****17**

Kit	Item	Ref. No.	Qty	Description
		NA	1	Onboard Charger Assembly NOTE 1
1		56001836	1	Scr, Hex 1/4-20 X .62
2		56001854	4	Scr, Hex 1/4-20 X .50
3		56009019	1	Scr, Hex Thd Form 1/4-20 X .38
4		56157376	1	Grommet
5		56172017	1	Clamp, P
6		56315124	1	Charger, On-Board 24V TSBUS2008-984
7		56315270	1	Charger Cord, US
8		56601417	1	Charger Mount Bracket
9		56478246	1	Cable Tie

NOTE 1: Standard in the following packages: 56344203, 56344204, 56344213, 56344214

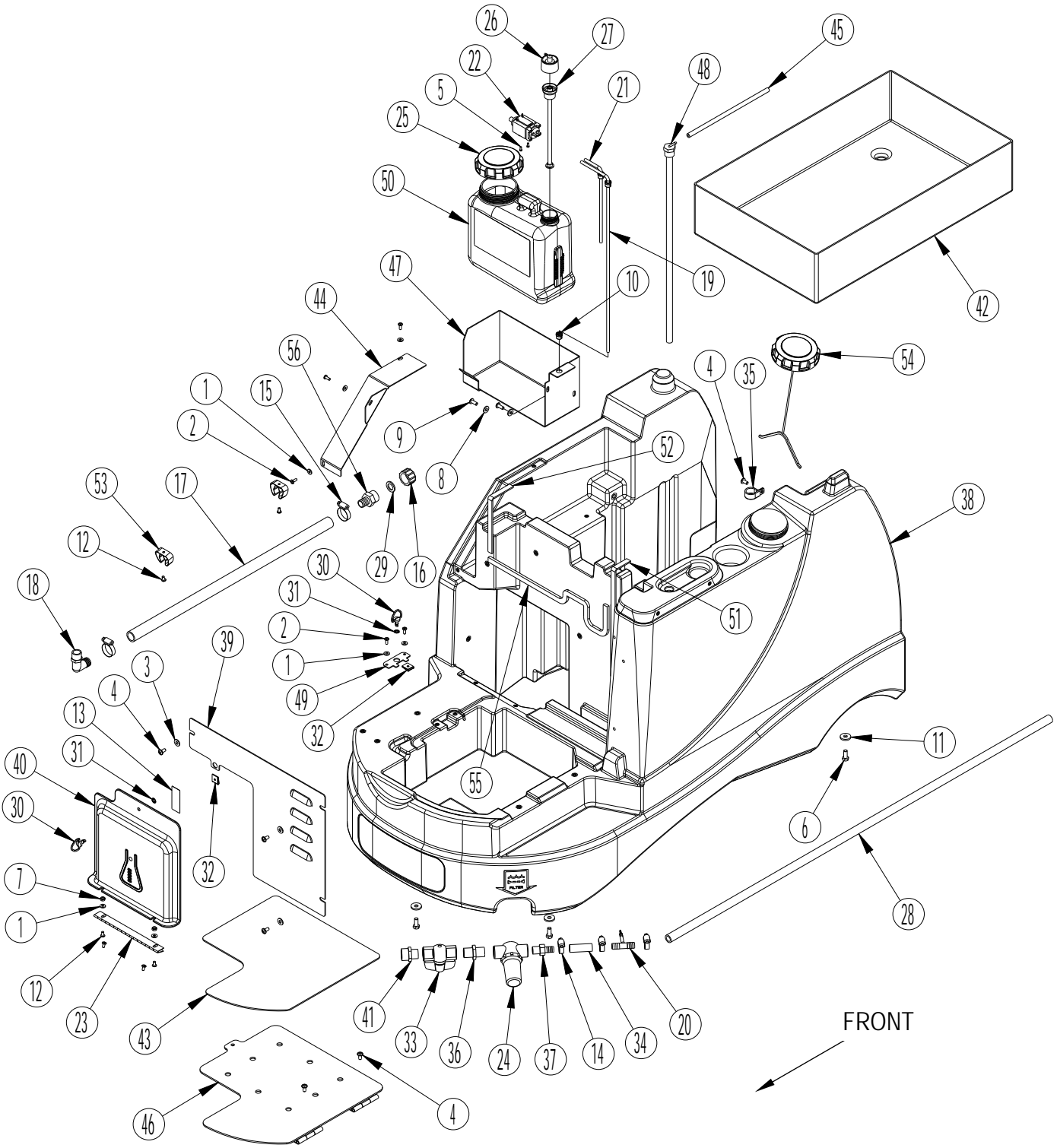


Kit	Item	Ref. No.	Qty	Description
	1	8-69-00022	1	Seat
	2	56001879	1	Wsh, Flt SAE 1/2
	3	56001939	2	Wsh, Flt SAE 5/16
	4	56002063	4	Wsh, Flt SAE 3/8
	5	56002086	2	Scr, Soc Set Loc 5/16-18 X .25
	6	56002098	4	Wsh, Flt SAE 1/4
	7	56002145	3	Scr, Pan Phil 1/4-20 X .50
	8	56002507	3	Scr, Pan Phil 1/4-20 X .75
	9	56002843	1	Nut, Hex Nyl Loc-Thin 1/2-13
	10	56002933	3	Scr, Hex Hd Loc 1/4-20x.38
	11	56003081	2	Scr, Soc Set Loc 3/8-16 X .38
	12	56003179	2	Scr, Hex Thd To Hd M8-1.25 X 20mm
	13	56003186	4	Scr, Hex Thd To Hd M10-1.5 X 25mm
	14	56003227	1	Key, Wdf .62 X .19
	15	56003228	3	Key, Wdf .75 X .19
	16	56003261	1	Ring, Ret Ext Type E 0.31 Dia
	17	56003268	3	Ring, Ret Ext Type E Reinf. 0.25 Dia
	18	56003389	2	Nut, Hex Nyl Loc M8-1.25
	19	56003730	3	Scr, Soc Shd .38 X .25 X 5/16-18
	20	56009051	2	Scr, Pan Phil Thd Form 8-32 X .38
	21	56009062	4	Scr, Pan Phil Thd Form 1/4-20 X .50
	22	56100393	1	Bushing
	23	56250414	2	Bearing, Flange
	24	56320595	2	Bushing .32 x .50 x .28
	25	56362778	1	Knob
	26	56367095	2	Collar, Shaft
	27	56412198	1	Chain, Roller
	28	56413211	2	Bearing, Flange .625 X .500 X .250
	29	56413658	1	Ratchet, Steering Column
	30	56454081	1	Universal Joint
	31	56471148	1	Sprocket
	32	56578222	1	Spring, Compression
	33	56601052	1	Foot Pedal Assy (R1)
	34	56601060	1	Steering Wheel
	35	56601163	1	Lower Column Weldment
	36	56601169	1	Upper Column Weldment
	37	56601223	1	Shaft, Lower Steering
	38	56601224	1	Shaft, Upper Steering
	39	56601271	1	Knob, 5/16 Stud
	40	56601284	1	Steering Pawl Weldment
	41	56601292	1	Pull Lever
	42	56601362	1	Seat Panel Weldment
	43	56601484	1	Shroud, Lower Column
	44	56601500	1	Boot, Steering
	45	7-82-00050	1	Switch (S2)
	46	56601683	1	Plug-Cap
	47	56386407	1	Clip-Conduit
	48	56601601	1	Foot Pedal Plate



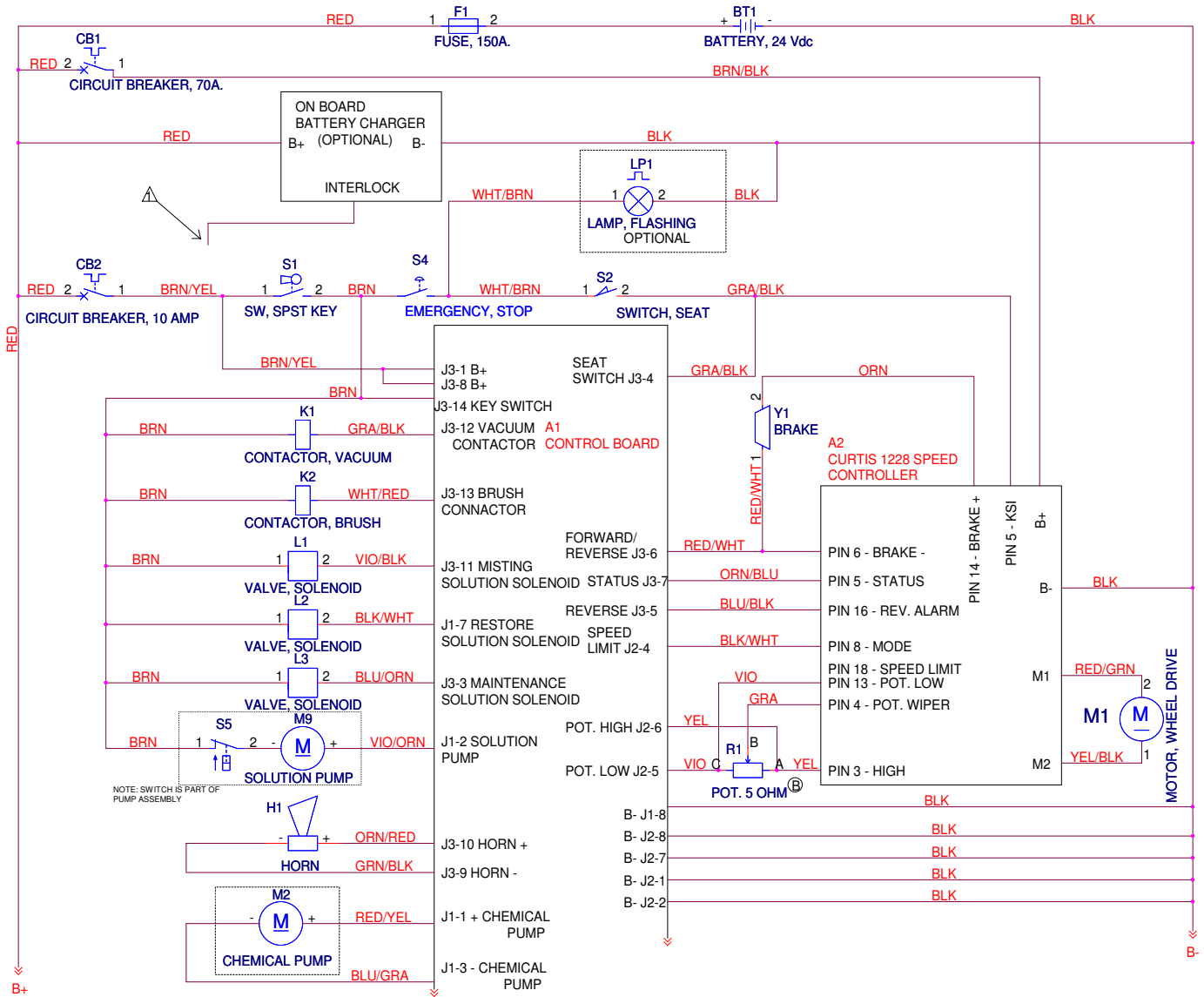
Kit	Item	Ref. No.	Qty	Description
K16	1		4	Scr-Pan Phil 1/4-20 X .62
K16	2		6	Wsh, Flt Sae 1/4
K16	3		6	Scr, Hex 1/4-20 X 3.00
K16	4		2	Scr-Pan Phil 10-24 X .88
K16	5		2	Wsh-Flt Sae Ss 1/4
K16	6		6	Scr, Pan Phil Ss 10-24 X .62
K16	7		4	Scr, Pan Phil Ss 10-24 X 1.00
K16	8		6	Wsh-Flt Sae Ss #10
K16	9		5	Rivet, Nylon Tree Push-In (.25)
K16	10		2	Scr, Pan Phil Ss Plastite 1/4-10 X .50
K16	11		2	Scr, Pan Phil Ss Type Ab 10-16 X .75
K17	12		2	Gasket, Vacuum Duct
K17	13		2	Gasket, Vacuum Motor
	14	56314517	1	Vac Hose Assembly
K17	15		2	Gasket, Vacuum Duct
	16	56315847	1	Foam Tube Assembly
	17	56324497	2	Cage, Float
	18	56344074	1	Cover-Vac Motor
	19	56344114	1	Tank-Recovery
	20	56344116	1	Elbow Weldment
	21	56344118	1	Gasket-Inlet
	22	56344164	1	Bracket
	23	56344165	1	Flap
	24	56344168	2	Filter
	25	56391690	1	Ball, Float
	26	56407361	2	Clamp, Plastic
	27	56440213	1	Clamp- Hose Sae #32
	28	56477613	1	Tie, Cable
	29	56601121	2	Gasket, Vac Filter
	30	56601122	1	Plate, Vac
	31	56601125	1	Filter
	32	56601126	1	Gasket, Exhaust
	33	56601127	1	Gasket, Vac
	34	56601128	2	Hinge Clamp
	35	56601130	1	Gasket, Recovery Lid
K17	36		2	Motor, Vac 24vdc (M5, M6)
	[ ]	56397098	1	Carbon Brush Set of 2 (for 56344176)
K24	36		2	Motor, Vac W/Suppression 24vdc (M5, M6)
	[ ]	56397098	1	Carbon Brush Set of 2 (for 56344199)
	37	56601138	1	Strainer Basket
	38	56601139	1	Recovery Lid
	39	56601204	1	Hook, Drain Hose
	40	56601250	2	Strap, Filter Cover
	41	56601253	1	Filter Box
	42	56601401	1	Drain Hose
	43	56601421	1	Cover, Debris
	44	56344198	1	Cover, Fltr Box W/Gskt
K16	56344175		1	Hardware Kit - Recovery System
K17	56344176		1	Vacuum Motor Gasket Kit (Standard)
K24	56344199		1	Vacuum Motor Gasket Kit (EMC Suppression)

[ ] = Not Shown

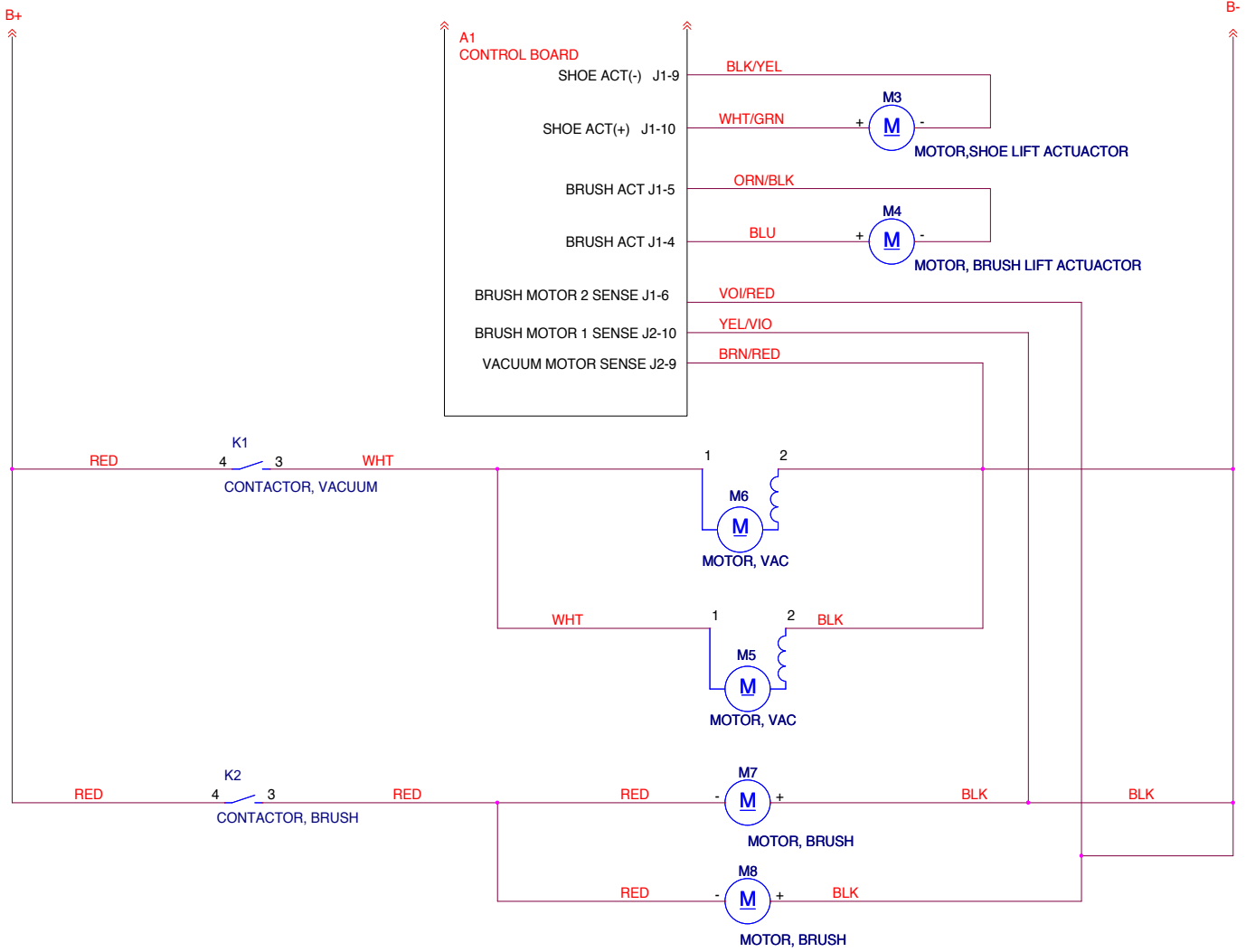




Kit	Item	Ref. No.	Qty	Description
K21	1		7	Wsh, Flt Sae #10
K21	2		5	Scr-Pan Phil 10-24 X .50
K21	3		3	Wsh, Flt Sae 1/4
K21	4		8	Scr-Pan Phil 1/4-20 X .50
K21	5		2	Scr, Pan Phil Thd Form 6-32 X .31
K21	6		4	Scr, Hex 5/16-18 X .75
K21	7		2	Nut, Hex Nyl Loc-Thin 10-24
K21	8		2	Wsh-Flt Sae Ss 1/4
K21	9		2	Scr, Pan Phil Ss 1/4-20 X .62
K21	10		3	Bushing, 1/4 Id Snub
K21	11		4	Wsh, Flt .344 X .938 X .125
K21	12		6	Scr, Pan Phil Loc 10-24 X .38
	13	56016331	1	Decal-Chemical Ratio
	14	56219932	3	Clamp- Hose Sae #6
	15	56244969	2	Clamp- Hose Sae #12
	16	56255076	1	Cap, Pipe Ght Nylon
	17	56261265	1	Hose, .75 Clear Pvc, 25.00
	18	56314757	1	Barb, 90 Elbow 3/4 X 1/2npt
	19	56314942	1	Hose, Chem Resistant
	20	56314983	1	Tee Assembly
	21	56314991	1	Hose, Chem Resistant 14"
	22	56315241	1	Pump, Chemical (M2)
	23	56315285	1	Hinge
	24	56315296	1	Solution Filter
	25	56315517	1	Cap, Raw
	26	56315523	1	Cap, Dry Break, 1/8 Barb, 90°
	27	56315527	1	Insert, Dry Break
	28	56344069	1	Hose Pvc Clear .50 Id
	29	56368776	1	Washer, Rubber
	30	56380132	2	Latch, 1/4 Turn
	31	56380137	2	Retainer
	32	56380141	2	Nut, Clamp
	33	56381475	1	Ball Valve
	34	56396330	1	Hose, Pvc Clear
	35	56410097	3	Clamp, P
	36	56412182	1	Nipple, Hex 3/4-14
	37	56412184	1	Barb, Adapter 1/2 X 1/2 Npt
	38	56601076	1	Solution Tank
	39	56601106	1	Panel
	40	56601202	1	Chemical Bottle Cover
	41	56601212	1	Nipple, Reducer 3/4"Npt X 1/2"Npt
	42	56601213	1	Battery Box
	43	56601246	1	Mat
	44	56601268	1	Plate
	45	56601273	1	Hose
	46	56601339	1	Charger Cover Weldment
	47	56601398	1	Bracket
	48	56344172	1	Tube, Pressure Sensing W/Elbow
	49	56601511	1	Plate
	50	56601544	1	Chemical Bottle Assy
	51	56601569	1	Gasket
	52	56601570	1	Gasket
	53	56601598	2	Hose Clip
	54	56601599	1	Cap - Raw With Tether
	55	56601685	1	Gasket
	56	56900273	1	Barb, Adapter 3/4 X 3/4ght
K21	56344195		1	Hardware Kit - Solution Assembly



Item	Ref. No.	Qty	Description
A1	56344105	1	Interface Panel Assembly
A2	56601061	1	Controller, Speed
BT1	N/A		Battery
CB1	56454429	1	Circuit Breaker, 70 Amp
CB2	56507644	1	Circuit Breaker, 10 Amp
F1	56412089	1	Fuse, 150 Amp
H1	56412177	1	Horn/Backup Alarm
K1	56601183	1	Contactor 24v, 100 Amp
K2	56412179	1	Contactor, 24 Vdc
L1	56317024	1	Valve, Solenoid 24v
L2	56317024	1	Valve, Solenoid 24v
L3	56317024	1	Valve, Solenoid 24v
LP1	56601085	1	Beacon, Warning (optional)
M1	56601050	1	Motor / Drive Wheel
M2	56315241	1	Pump, Chemical
M3	56344160	1	Actuator-Motor 24v
M4	56344161	1	Lift Actuator Assembly
M5	56601132	1	Motor, Vac 24vdc
M6	56601132	1	Motor, Vac 24vdc
M7	56315061	1	Motor-24 Vdc .5 Hp 1800 Rpm <b>TSBUS2010-1058</b>
M8	56315061	1	Motor-24 Vdc .5 Hp 1800 Rpm <b>TSBUS2010-1058</b>
M9	56317045	1	Solution Pump, 24vdc
R1	N/A	1	Part of Footpedal Assy 56601052
S1	56303553	1	Ket Switch
S2	7-82-00050	1	Switch
S4	56407130	1	Disconnect, Emergency
Y1	56601507	1	Brake, Electromagnetic
	56315124	1	Charger, On-Board 24v <b>TSBUS2008-984</b>



Item	Ref. No.	Qty	Description
A1	56344105	1	Interface Panel Assembly
A2	56601061	1	Controller, Speed
BT1	N/A		Battery
CB1	56454429	1	Circuit Breaker, 70 Amp
CB2	56507644	1	Circuit Breaker, 10 Amp
F1	56412089	1	Fuse, 150 Amp
H1	56412177	1	Horn/Backup Alarm
K1	56601183	1	Contactor 24v, 100 Amp
K2	56412179	1	Contactor, 24 Vdc
L1	56317024	1	Valve, Solenoid 24v
L2	56317024	1	Valve, Solenoid 24v
L3	56317024	1	Valve, Solenoid 24v
LP1	56601085	1	Beacon, Warning (optional)
M1	56601050	1	Motor / Drive Wheel
M2	56315241	1	Pump, Chemical
M3	56344160	1	Actuator-Motor 24v
M4	56344161	1	Lift Actuator Assembly
M5	56601132	1	Motor, Vac 24vdc
M6	56601132	1	Motor, Vac 24vdc
M7	56315061	1	Motor-24 Vdc .5 Hp 1800 Rpm <b>TSBUS2010-1058</b>
M8	56315061	1	Motor-24 Vdc .5 Hp 1800 Rpm <b>TSBUS2010-1058</b>
M9	56317045	1	Solution Pump, 24vdc
R1	N/A	1	Part of Footpedal Assy 56601052
S1	56303553	1	Ket Switch
S2	7-82-00050	1	Switch
S4	56407130	1	Disconnect, Emergency
Y1	56601507	1	Brake, Electromagnetic
	56315124	1	Charger, On-Board 24v <b>TSBUS2008-984</b>

Item	Ref. No.	Qty	Description
			<b>Kits</b>
*	56397453	1	Kit-Battery Fill Indicator
*	7-03-04249	1	Kit-Seat Armrests
*	56601085	1	Kit-Warning Beacon
*	56422162	1	Kit-Seat Belt
*	56601527	1	Battery Watering Kit
*	56302198	1	Kit-Hour Meter
*	56315732	1	Quiq Programmer Kit
*	56344093	1	Interface Panel Kit
*	56601086	1	Debris Tray Kit
*	56380572	1	Aquawand Carpet Scrub Wand 13
*	56265174	1	15 Ft. Hose Assembly
*	56601545	1	Chemical Bottle Assembly

Replacement parts for the kits listed above can be found on each kit's associated instruction sheet.

**Brushes**

*	56314633	1	Brush Multi-Surface 28 (Front)
*	56344191	1	Brush Assembly (Rear)

**Optional Batteries**

*	56391391	4	Battery, 6V, 305A/H TSBUS2008-984
*	56315959	4	Battery, 6V, 315A/H AGM TSBUS2008-984
*	56388582	4	Battery, 6V, 395A/H TSBUS2008-984

**Optional Battery Chargers**

*	56372947	A/R	Battery Charger, 24VDC, Auto, 20Amp, 120VAC/60HZ TSBUS2008-984
*	56388109	A/R	Battery Charger, 24VDC, Auto, 25Amp, 120VAC/60HZ TSBUS2008-984
*	56412272	A/R	Battery Charger, 24VDC, Auto, 36Amp, 120VAC/60HZ TSBUS2008-984
*	56372203	A/R	Battery Charger, 24VDC, 20Amp, 230VAC/50HZ TSBUS2008-984
*	56412271	A/R	Battery Charger, 24VDC, 40Amp, 230VAC/50HZ TSBUS2008-984
*	56601095	A/R	Kit, On Board Charger, US TSBUS2008-984

**Accessories**

*	56409441	A/R	Programmer, 1311 User
*	56409823	A/R	Programmer Cable
*	56044604	1	Literature Pack

\* = Optional, Not Included





14600 21st Avenue North  
Plymouth, MN 55447-3408  
[www.advance-us.com](http://www.advance-us.com)  
Phone: 800-989-2235  
Fax: 800-989-6566  
©2011 Nilfisk-Advance, Inc.

---

**A Nilfisk-Advance Brand**