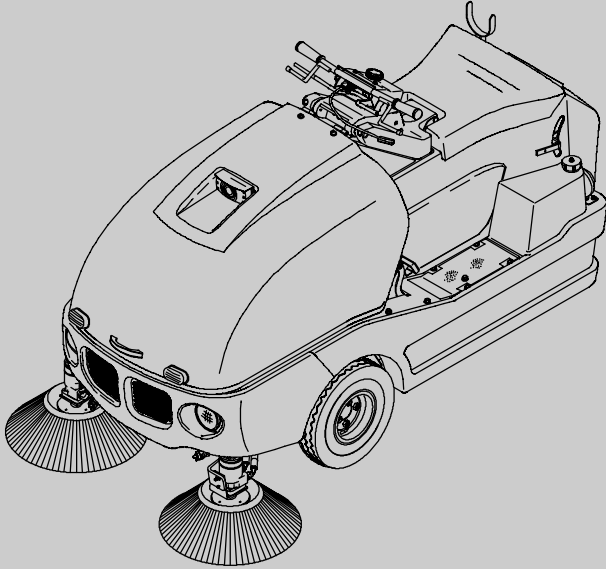




Litter Hawk™

Parts Manual



When ordering replacement parts, use the illustrated parts list section in this manual. Before ordering parts or supplies, be sure to have your machine model number and serial number available. Parts and supplies may be ordered online, by phone, or mail from any authorized parts and service center, distributor or from any of the manufacturer's subsidiaries.

This machine will provide excellent service. However, the best results will be obtained at minimum costs if:

- The machine is operated with reasonable care.
- The machine is maintained regularly - per the machine maintenance instructions provided.
- The machine is maintained with manufacturer supplied or equivalent parts.

MACHINE DATA

Please fill out at time of installation for future reference.

Model No.- **Litter Hawk**

Serial No.- _____

Machine Options - _____

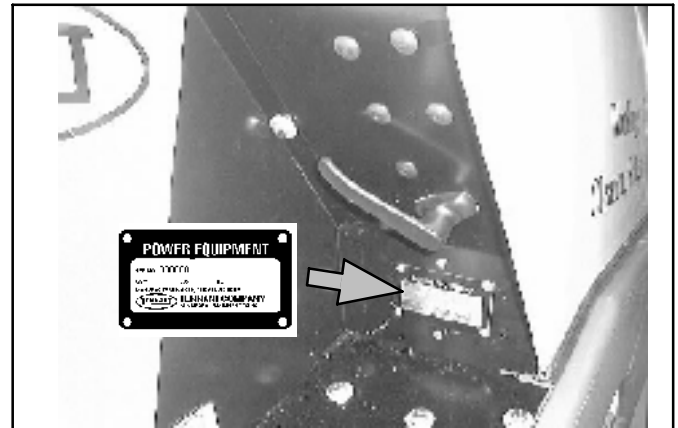
Sales Rep. - _____

Sales Rep. phone no. - _____

Customer Number - _____

Installation Date - _____

Machine Data Plate



Tennant Company

PO Box 1452

Minneapolis, MN 55440

Phone: (800) 553-8033 or (763) 523-2850

www.tennantco.com

Litter Hawk and Thermo Sentry are United States trademarks of Tennant Company.

Specifications and parts are subject to change without notice.

Copyright © 1998-2000, 2002-2005 TENNANT, Printed in U.S.A.

HOW TO USE THIS MANUAL

This section on *HOW TO USE THIS MANUAL* will tell you how to:

- Find important machine information for ordering correct repair parts.
- Find TENNANT part numbers.
- Order TENNANT parts and supplies.

IMPORTANT INFORMATION

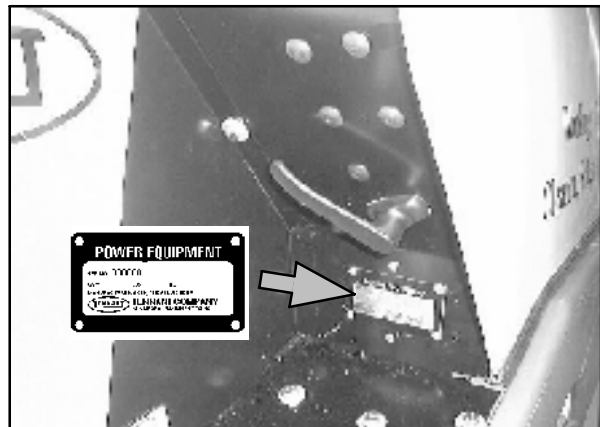
When placing an order for parts, the machine model and machine serial number are important. Refer to the *MACHINE DATA* box which is filled out during the installation of your machine. The *MACHINE DATA* box is located on the inside of the front cover of this manual.

MACHINE DATA	
Model Number	_____
Machine Color	_____
Machine Capacity	_____
TENNANT Department/Division	_____
Order Number	_____
Invoice Number	_____
Product Code	_____
Part No.	_____

The model number of your machine is on the front of the machine.



The serial number of your machine is printed on the machine data plate located as shown.



HOW TO USE THIS MANUAL

FINDING A TENNANT PART NUMBER

This manual contains the following sections:

- HOW TO USE THIS MANUAL
- STANDARD PARTS
- OPTIONS
- BREAKDOWNS
- ENGINE BREAKDOWNS
- CROSS REFERENCE

The STANDARD PARTS section lists repair parts for standard machines. They are grouped in this general order:

- General wear parts.
- Machine frame and related parts.
- Machine propelling system.
- Sweeping components.
- Electrical parts.

The OPTION section lists repair parts of options.

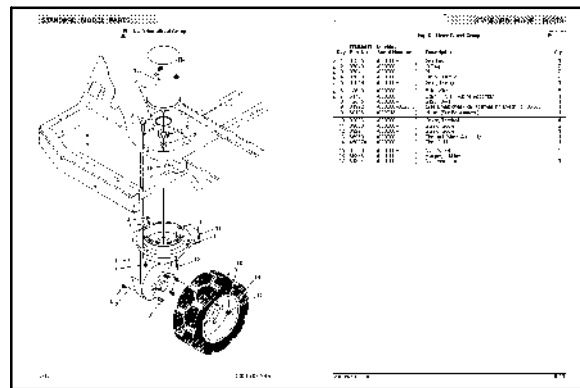
The BREAKDOWN section lists available repair parts of major components.

All sections in this manual consist of parts illustrations and corresponding parts lists.

The parts illustrations are numbered with **Ref** numbers which refer to corresponding parts lists.

The parts lists include a number of columns of information:

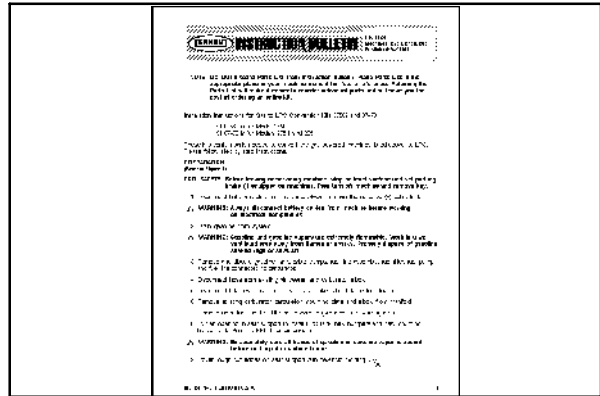
- **Ref** - column refers to the reference number on the parts illustration.
- ∇ - indicates the part is an assembly.
- ▲ - indicates the part is included in the assembly listed just before it.
- **TENNANT Part No.** - column lists the NOBLES part number for the part.
- **Serial Number** - column indicates the set of machines the part number is applicable to. Serial numbers change when the machine design has been modified. The most current design of the machine is shown in the main illustration, older designs are boxed in a corner of the illustration.
- **Description** - column is a brief description of the part.
- **Qty.** - column lists the quantity of that part used in that area of the machine.



Key	TENNANT Part No.	Machine Serial Number	Description	Qty.
∇ 1	87355	Q000C0	Gearbox	1
▲ 2	87640	Q000C0	O-Ring	1
▲ 3	87641	Q000C0	Plug	1
▲ 4	87739	Q000C0	Fitting, Grasp	1
▲ 5	87640	Q000C0	Gear, Driving	1
▲ 6	12610	Q000C0	Bolt, Wheel	5
▲ 7	61791	Q000C0	Bearing and Housing Assembly	1
▲ 8	12640	Q000C0	Seal, O-Ring	1
9	31592	Q000C0-C02C17	See Breakdowns; Replacement Kit Motor For 86356	1
9	63196	Q02018-	Motor (See Breakdowns)	1
10	02C76	Q000C0	Cover, Terminal	4
11	03C00	Q000C0	Screw, Socket	2
12	03294	Q000C0	Screw, Socket	1
13	85570	Q000C0	Tire and Wheel Assembly	1
14	452274	Q000C0	Tire, Solid	1
15	87750	Q000C0	Nut, Wheel	5
16	53555	Q000C0	Barnor, Rubber	2
17	61824	Q000C0	Nut, Hex, Thin	1

NOTE: If a service kit is installed on your machine, be sure to keep the INSTRUCTION BULLETIN which came with the kit. It contains repair parts numbers needed for ordering future parts.

NOTE: Fasteners used in this machine may be metric or non-metric. Take care when replacing hardware to replace with same thread size.



PLACING AN ORDER

Orders may be placed by phone, fax, or by mail. Phone orders may need written confirmation. Follow the steps below to insure prompt delivery:

1. Identify the model number of your machine.
2. Identify the serial number of your machine.
3. Find the part number of the part you need. Do not order by page number or reference number. If you are not able to find the part number, call your TENNANT representative for help or send the old part as a sample.
4. Determine the quantity of the part you need.
5. Provide the following company information:
 - Company name
 - Customer ID Number
 - Shipping address
 - Billing address
 - First and last name of person ordering parts
 - Telephone number
 - Purchase order number
6. Provide definitive shipping instructions.

HOW TO USE THIS MANUAL

Any claim for loss or damage to a shipment in transit should be filed promptly with the transportation company making the delivery. Shipments will be complete unless the packing list or order acknowledgement indicates items back ordered.

If parts received are suspected to be incorrect or defective, please contact the TENNANT representative from whom you ordered the part. They will give authorization for return and/or handle replacement shipments when required.

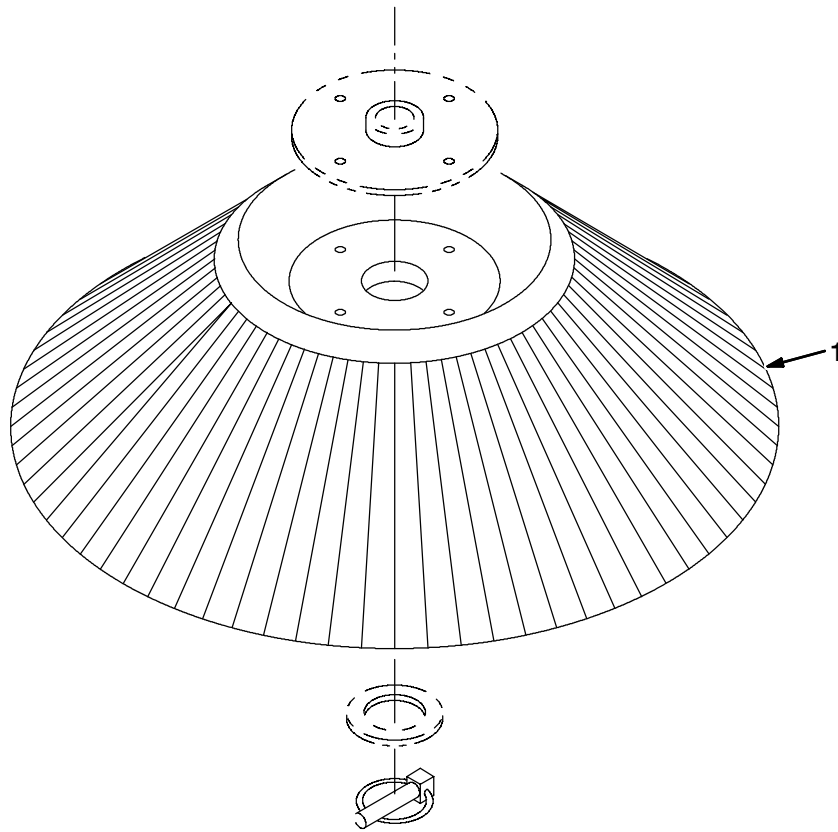
SECTION 2

Contents	Page	Contents	Page
Fig. 1 - General Recommended Maintenance Items	2-2	Fig. 29 - Dust Control Water Nozzle Group	2-56
Fig. 2 - Replacement Brushes	2-3	Fig. 30 - Vacuum Fan and Housing Group	2-58
Fig. 3 - Main Frame Group	2-4	Fig. 31 - Vacuum Filter Group	2-60
Fig. 4 - Front Cover Group (000000-001211)	2-6	Fig. 32 - Hopper and Lift Arms Group	2-62
Fig. 5 - Front Cover Group (001212-)	2-8	Fig. 33 - Vacuum Head Group	2-64
Fig. 6 - Front and Side Bumper Group	2-10	Fig. 34 - Vacuum Head Lift Group	2-66
Fig. 7 - Seat and Rear Cover Group	2-12	Fig. 35 - Air Flow Damper Group	2-68
Fig. 8 - Instrument Panel Group	2-14	Fig. 36 - Vacuum Wand Group	2-70
Fig. 9 - Instrument Panel Side Covers Group	2-16	Fig. 37 - Hydraulic Schematic	2-72
Fig. 10 - Steering Handle Group	2-18	Fig. 38 - Hydraulic Hoses Group	2-74
Fig. 11 - Steering Handle Pivot Group	2-20	Fig. 39 - Hydraulic Pumps Group	2-76
Fig. 12 - Front Steering Linkage	2-22	Fig. 40 - Hydraulic Pump Linkage Group	2-78
Fig. 13 - Rear Steering Linkage	2-24	Fig. 41 - Hydraulic Valve Group	2-80
Fig. 14 - Rear Wheel Mount Group	2-26	Fig. 42 - Hydraulic Reservoir and Filter Group	2-82
Fig. 15 - Rear Tire and Rim Assembly, Black	2-28	Fig. 43 - Electrical Schematic	2-84
Fig. 16 - Front Drive Wheels and Brake Group	2-30	Fig. 44 - Wire Harness Group, Main (000000-001579)	2-88
Fig. 17 - Brake Pedal Group	2-32	Fig. 45 - Wire Harnesses Group, Main (001580-)	2-96
Fig. 18 - Engine and Mount Group	2-34	Fig. 46 - Wire Harness Group, Soft Start (000000-001201)	2-106
Fig. 19 - Throttle Group	2-36	Fig. 47 - Wire Harness Group, Dust Control (000000-001201)	2-107
Fig. 20 - Air Cleaner Group	2-38	Fig. 48 - Wire Harness Group, Cover (000000-001201)	2-108
Fig. 21 - Muffler Group	2-40	Fig. 49 - Wire Harness Group, Fuel Shut Off (001202-)	2-109
Fig. 22 - Fuel Tank and Fuel Line Group	2-42	Fig. 50 - Label Group	2-110
Fig. 23 - Radiator and Hydraulic Cooler Group	2-44		
Fig. 24 - Battery Group	2-46		
Fig. 25 - Side Brush Motor Group	2-48		
Fig. 26 - Side Brush Lift Group	2-50		
Fig. 27 - Dust Control Water Tank Group	2-52		
Fig. 28 - Dust Control Water Pump Group	2-54		

Fig. 1 - General Recommended Maintenance Items

Ref.	Tenant Part No.	Machine Serial Number	Description	Qty.
▽	398349	(000000-) Kit, Maint, 400hr [Litter Hawk] Engine	1
▲	361594	(000000-) Filter, Oil, Engine	1
▲	1017126	(000000-) Filter, Fuel, Element	1
▲	65221	(000000-) Element, Filter	1
▲	382493	(000000-) Element, Fltr, Air, [Dn#P831520]	1
▲	393606	(000000-) Belt, V	1
▲	381697	(000000-) Cap, Breather, Hyd, 3.8 Ds	1
▲	361023	(000000-) Strainer, Hyd, 10gpm 100mesh Psi	1
▲	382493	(000000-) Element, Air-Clnr	1
▽	398348	(000000-) Kit, Maint, 800hr [Litter Hawk]	1
▲	382391	(000000-) Bag, Poly, Roll, 15 Bag	1
▲	382635	(000000-) Filter, Hinged	2
▲	382427	(000000-) Nozzle, Spray, 0.07 Gpm	2
▲	382517	(000000-) Nozzle Assy, Spray	1
▲	382700	(000000-) Skirt	1
	10801	(000000-) Headlight	2
▽	382547	(000000-) Tail light	2
▲	45780	(000000-) Bulb	1
	367988	(000000-) Paint, Can, Acrylic Red	1
	367989	(000000-) Paint, Can, Acrylic Blue	1
	367990	(000000-) Paint, Can, Acrylic Green	1
	367991	(000000-) Paint, Can, Acrylic Yellow	1
	367992	(000000-) Paint, Can, Acrylic Purple	1
	368164	(000000-) Paint, Can, Acrylic White	1

Fig. 2 - Replacement Brushes



353035

Ref.	Tennant Part No.	Machine Serial Number	Description	Qty.
1	381437	(000000-) Brush, Side, 20.0 Dia.	2

Fig. 3 - Main Frame Group

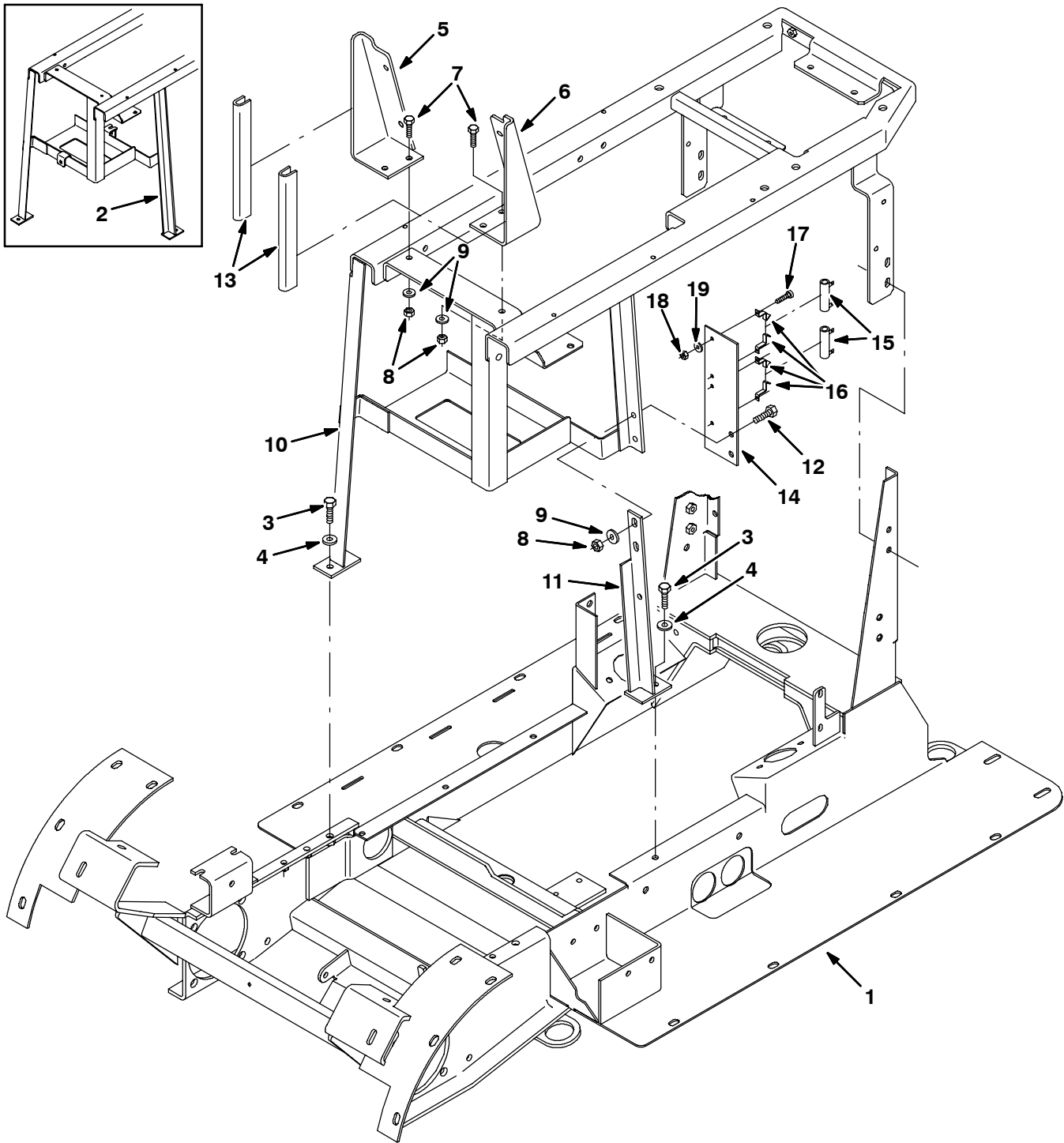


Fig. 3 - Main Frame Group

Ref.	Tennant Part No.	Machine Serial Number	Description	Qty.
1	381620	(000000-) Frame Wldt	1
2	382683	(000000-001113) Kit, Seat Support	1
3	16931	(000000-) Screw, Hex, M08-1.25 X 20, 8.8	2
4	32491	(000000-) Washer, Flat, .31 Hard	2
5	382870	(000000-) Bracket, Suport, Rh	1
6	382869	(000000-) Bracket, Supprt, Lh	1
7	76570	(000000-) Screw, Hex, M08-1.25 X 30, 8.8	2
8	39311	(000000-) Nut, Hex, Std, M08-1.25	4
9	32491	(000000-) Washer, Flat, .31 Hard	4
10	382682	(001114-) Support Wldt, Seat	1
11	382632	(001114-) Angle Wldt	1
12	39277	(001114-) Screw, Hex, M08-1.25x25, 8.8	2
13	62595-16	(000000-) Molding, Trim .08- .11 8.50	2
14	382932	(001580-) Bracket, Mtg, Resistor, Tnv, [Hawk]	1
15	382933	(001580-) Resistor, 003.00ohm, 25watt	2
16	382934	(001580-) Bracket, Mtg, Resistor	4
17	49697	(001580-) Screw, Pan, M4 X 0.7 X 10, Ss	4
18	02850	(001580-) Nut, Hex, Lock, M4 X 0.7, NI	4
19	30013	(001580-) Washer, Flat, 0.31 Fender	4

Fig. 4 - Front Cover Group (000000-001211)

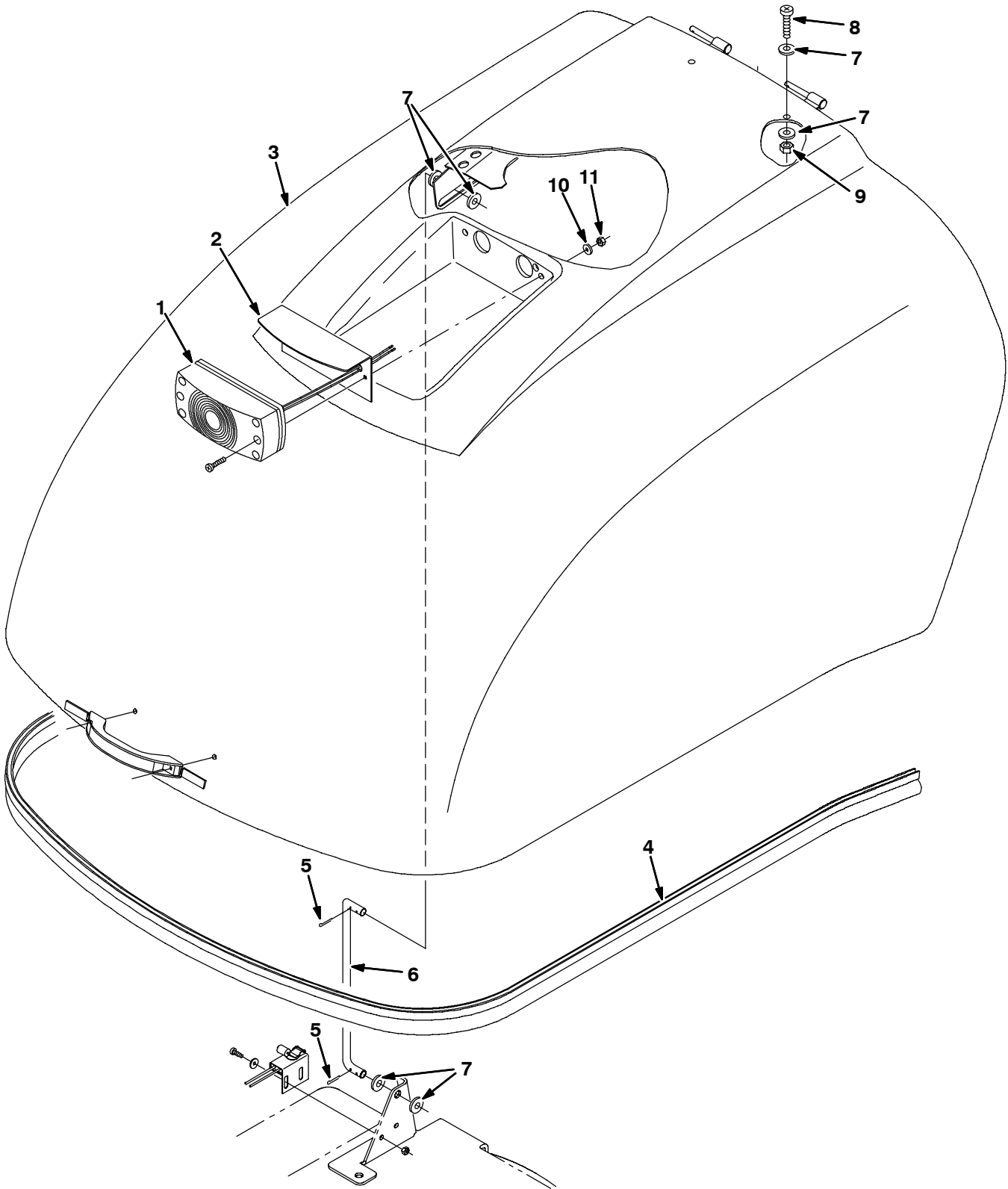


Fig. 4 - Front Cover Group (000000-001211)

Ref.	Tenant Part No.	Machine Serial Number	Description	Qty.
1	382765	(000000-001211)	Kit, Strobe, Replacement	1
2	382318	(000000-001211)	Bracket, Mtg, Lamp, Strobe	1
3	382589	(000000-001211)	Cover Assy, White W/Labels	1
3	382590	(000000-001211)	Cover Assy, Blue W/Labels	1
3	382597	(000000-001211)	Cover Assy, Yellow W/Labels	1
3	382598	(000000-001211)	Cover Assy, Red W/Labels	1
3	382599	(000000-001211)	Cover Assy, Purple W/Labels	1
3	382600	(000000-001211)	Cover Assy, Green W/Labels	1
4	382319	(000000-001211)	Seal, Bulb, Str, 0.50d .13grip 96.0l	1
5	39005	(000000-001211)	Pin, Cotter, .094 X 0.75	4
6	382297	(000000-001211)	Rod, Hood, Sppt	1
7	01685	(000000-001211)	Washer, Flt, .31 Ss	8
8	09737	(000000-001211)	Screw, Pan, M08 X 1.25 X 20, 4.8	2
9	08709	(000000-001211)	Nut, Hex, Lock, M08 X 1.25,NI	2
10	19066	(000000-001211)	Washer, Flt, #10	2
11	06549	(000000-001211)	Nut, Hex, Lock, M05 X 0.8, NI	2

Fig. 5 - Front Cover Group (001212-)

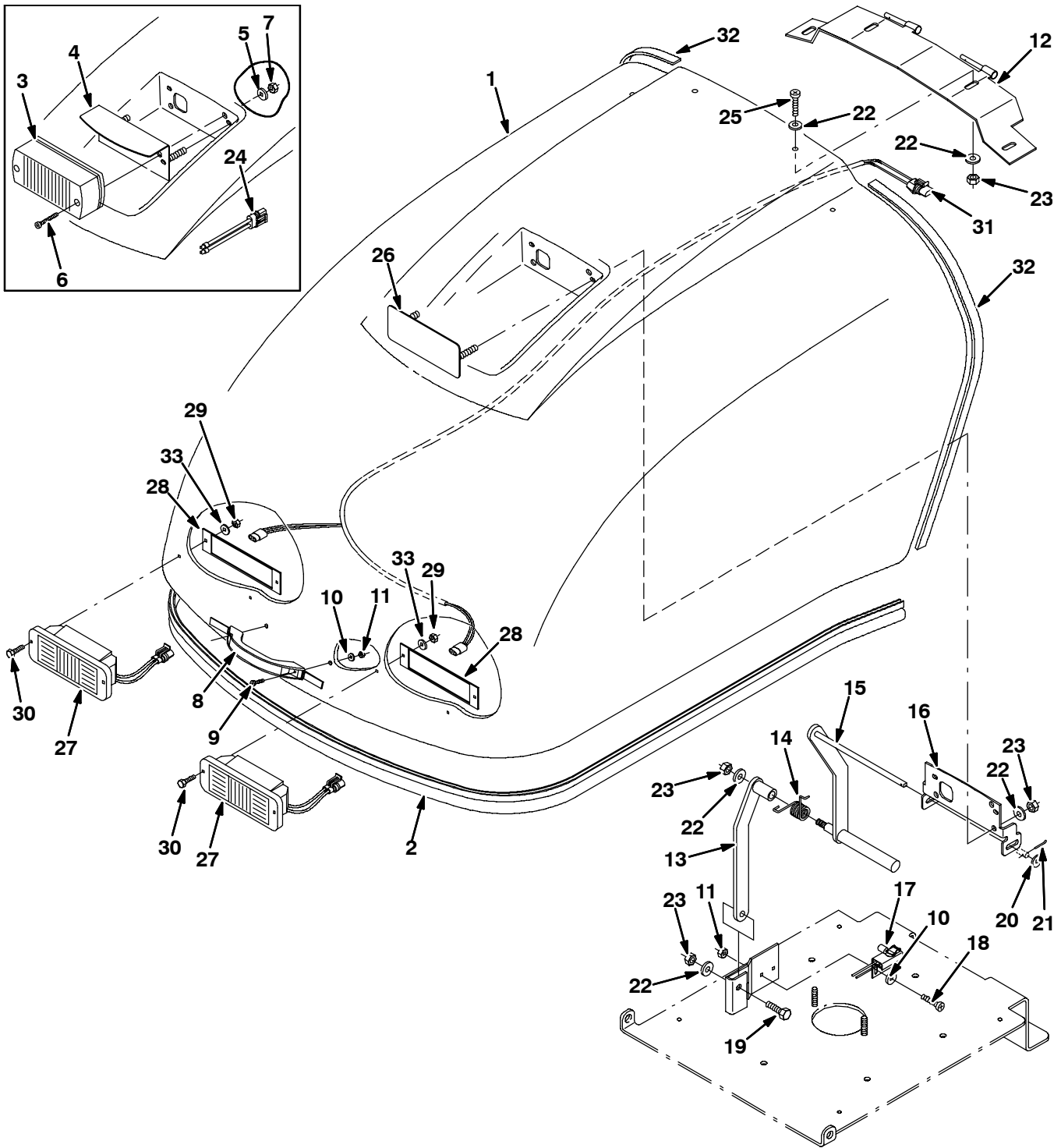


Fig. 5 - Front Cover Group (001212-)

Ref.	Tennant Part No.	Machine Serial Number	Description	Qty.
▽	1	382992	(001212-) Kit, Ci, Front Cover, White, [Hawk]	1
▲	2	382319	(001212-) Seal, Bulb, Str, 0.50d .13grip 96.0l	1
▽	1	382993	(001212-) Kit, Ci, Front Cover, Blue, Hawk]	1
▲	2	382319	(001212-) Seal, Bulb, Str, 0.50d .13grip 96.0l	1
▽	1	382994	(001212-) Kit, Ci, Front Cover, Yellow, [Hawk]	1
▲	2	382319	(001212-) Seal, Bulb, Str, 0.50d .13grip 96.0l	1
▽	1	382995	(001212-) Kit, Ci, Front Cover, Red, [Hawk]	1
▲	2	382319	(001212-) Seal, Bulb, Str, 0.50d .13grip 96.0l	1
▽	1	382996	(001212-) Kit, Ci, Front Cover, Purple, [Hawk]	1
▲	2	382319	(001212-) Seal, Bulb, Str, 0.50d .13grip 96.0l	1
▽	1	382997	(001212-) Kit, Ci, Front Cover, Green, [Hawk]	1
▲	2	382319	(001212-) Seal, Bulb, Str, 0.50d .13grip 96.0l	1
	3	382753	(001212-001579) Lamp, Strobe, Amber	1
	4	382695	(001212-001579) Bracket Wldt, Mounting, Strobe	1
	5	19064	(001212-001579) Washer, Flt, #06	2
	6	382754	(001212-001579) Scr, Chz, M4x0.7 60, 4.8 Pltd	2
	7	02850	(001212-001579) Nut, Hex, Lock, M04 X 0.7, NI	2
	8	382264	(001212-) Handle, Hood	1
	9	06935	(001212-) Screw, Pan, M05 X 0.8 X 25, 4.8	2
	10	19066	(001212-) Washer, Flt, #10	4
	11	06549	(001212-) Nut, Hex, Lock, M05 X 0.8, NI	4
	12	382702	(001212-) Hinge Wldt, Hood	1
	13	382677	(001212-) Arm Wldt, Latch, Rh	1
	14	382748	(001212-) Spring, Coil	1
	15	382678	(001212-) Arm, Wldt, Latch, Lh	1
	16	382676	(001212-) Plate, Prop Rod	1
	17	367404	(001212-) Switch Assy, Roller, No	1
	18	06933	(001212-) Screw, Pan, M05 X 0.8 X 16, 4.8	2
	19	39277	(001212-) Screw, Hex, M08 X 1.25 X 25, 8.8	1
	20	32662	(001212-) Washer, 0.38b 1.22d .06, Ss	1
	21	39005	(001212-) Pin, Cotter, .094 X 0.75	1
	22	01685	(001212-) Washer, Flt, .31 Ss	13
	23	08709	(001212-) Nut, Hex, Lock, M08 X 1.25,NI	8
	24	382773	(001212-001579) Harness, Jumper, Strobe, Litterhawk	1
	25	09737	(001212-) Screw, Pan, M08 X 1.25 X 20, 4.8	4
	26	382963	(001580-) Plate Wldt, Front Cover, Tnv	1
▽	27	382879	(001580-) Light, Turn, Rwk [Euro]	2
▲		90605	(001580-) Lamp, 12vdc, . A 21watt Cp [#Ba15s]	1
	28	382888	(001580-) Plate, Mtg, Light	2
	29	06549	(001580-) Nut, Hex, Lock, M5 X 0.8, NI	4
	30	09244	(001580-) Screw, Hex, M5 X 0.8 X 16, 8.8	4
	31	382880	(001580-) Harness, Cover, Container, [Euro]	1
	32	382936	(001580-) Molding, Trim, .08-.11 74,0l	2
	33	19066	(001580-) Washer, Flat, #10	4

Fig. 6 - Front and Side Bumper Group

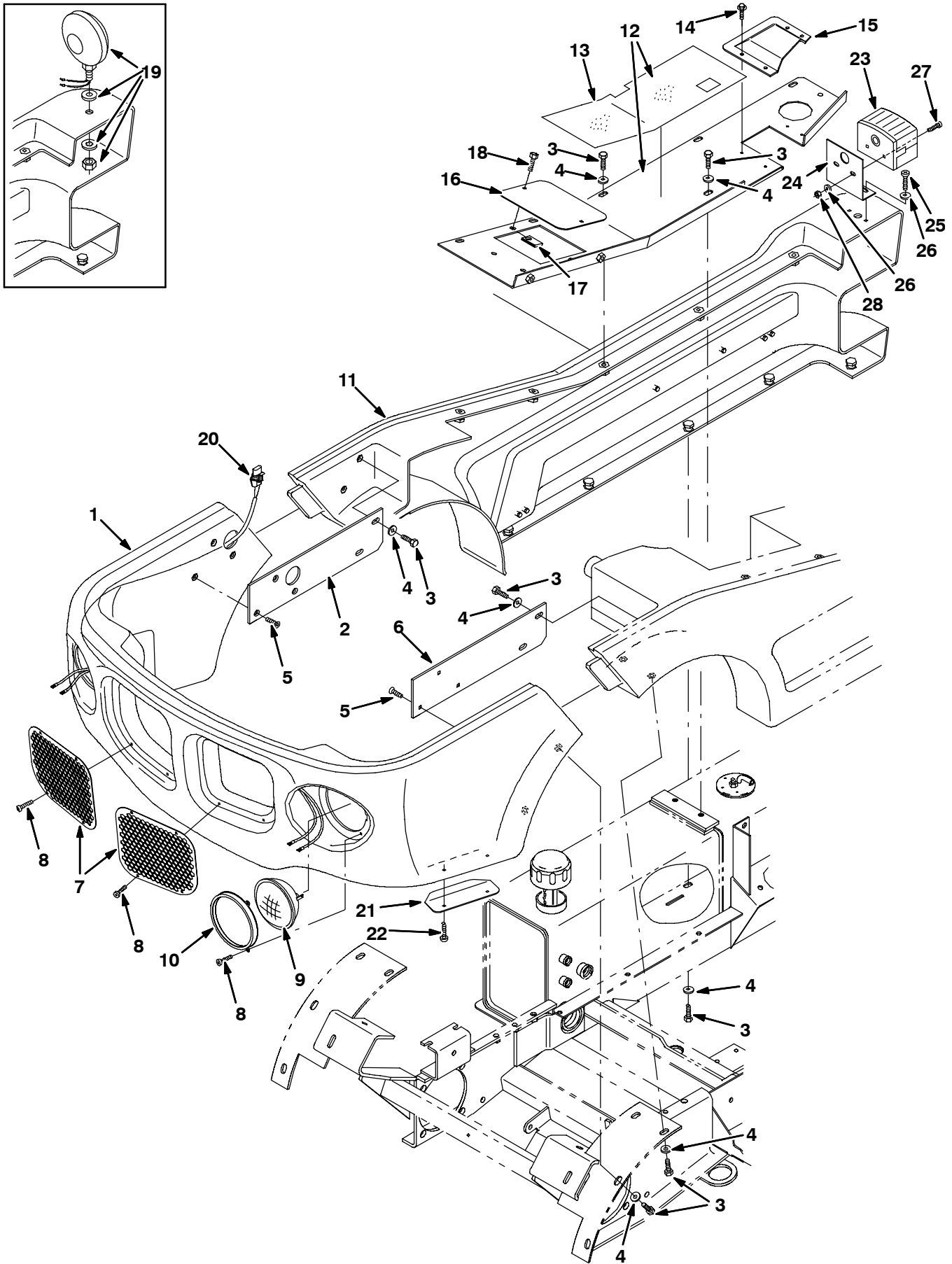


Fig. 6 - Front and Side Bumper Group

Ref.	Tennant Part No.	Machine Serial Number	Description	Qty.
1	381453	(000000-) Bumper, Front	1
2	381783	(000000-) Plate, Mtg, Bumper, Rh	1
3	16931	(000000-) Screw, Hex, M08-1.25 X 20, 8.8	20
4	32491	(000000-) Washer, Flat, .31 Hard	20
5	32129	(000000-) Screw, Flat, M08-1.25x 20,10.9	6
6	381784	(000000-) Plate, Mtg, Bumper, Lh	1
7	381758	(000000-) Grill, Front	2
8	382320	(000000-) Screw, Pan, #12-16, 0.50,	14
9	10801	(000000-) Lamp Assembly, Headlight, 12v	2
10	381753	(000000-) Bezel, Headlight	2
11	382321	(000000-) Bumper, Rh	1
▽	12	382585	(000000-) Panel Wldt, Floor, Rh w/Label	1
▲	13	382415	(000000-) Panel, Floor, Mat, Rh	1
14	20394	(000000-) Screw, Hex, #10x0.62, Fmg	4
15	382053	(000000-) Cover, Gas	1
16	382431	(000000-) Plate	1
17	58595	(000000-) Nut, U, M08-1.25	2
18	16931	(000000-) Screw, Hex, M08-1.25 X 20, 8.8	2
▽	19	382547	(000000-001579) Lamp Assembly	1
▲	45780	(000000-001579)	Bulb, 12V .5A	1
20	382251	(000000-001579)	Harness, Headlight	1
20	382887	(001580-) Harness, Headlight, [Europe]	1
21	382747	(000000-) Angle, Deflector, Air	1
22	382931	(000000-) Screw, Hex, .25 X0.75, Tcut	2
▽	23	90601	(001580-) Taillight, 12vdc, 3.3 X 3.7 Rh	1
▲	90604	(001580-) Lamp, 12vdc, . A 10watt Cp [Ba15s]	1
▲	90605	(001580-) Lamp, 12vdc, . A 21watt Cp [#Ba15s]	1
24	382874	(001580-) Bracket, Light, Rear	2
25	382320	(001580-) Screw, Pan, #12-16 X 0.50, F/Plstc	2
26	19066	(001580-) Washer, Flat, #10	4
27	06933	(001580-) Screw, Pan, M5 X 0.8 X 16, 4.8	2
28	06549	(001580-) Nut, Hex, Lock, M5 X 0.8, NI	2

Fig. 7 - Seat and Rear Cover Group

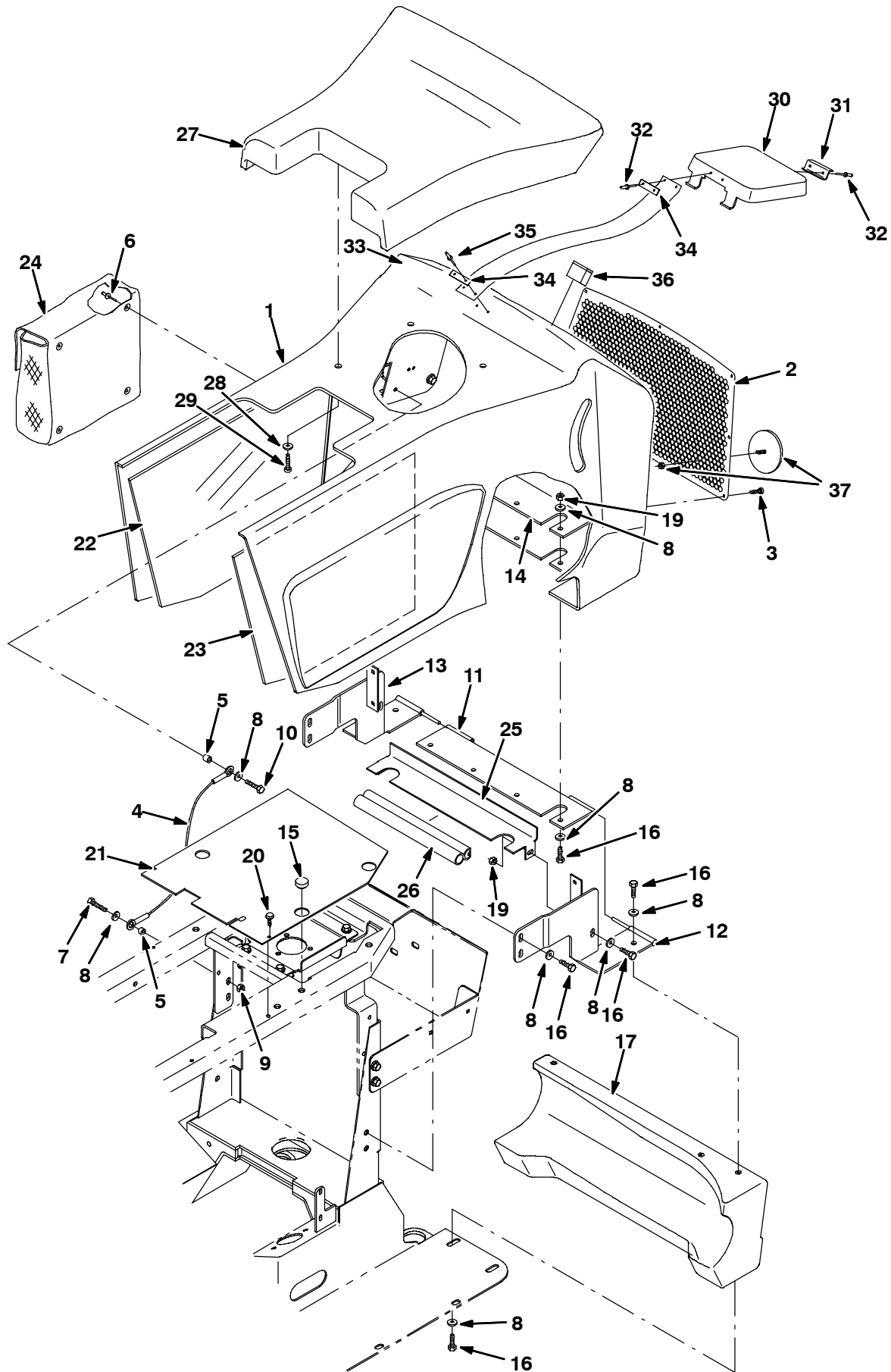


Fig. 7 - Seat and Rear Cover Group

Ref.	Tennant Part No.	Machine Serial Number	Description	Qty.
1	382587	(000000-) Cover, Rear, Blue, w/Label	1
1	382588	(000000-) Cover, Rear, White, w/Label	1
1	382593	(000000-) Cover, Rear, Yellow, w/Label	1
1	382594	(000000-) Cover, Rear, Red, w/Label	1
1	382595	(000000-) Cover, Rear, Purple, w/Label	1
1	382596	(000000-) Cover, Rear, Green, w/Label	1
2	381755	(000000-) Grill, Rear	1
3	360973	(000000-) Screw, Pan, #12- X 0.50,	8
4	367375	(000000-) Cable, Debris Canister	1
5	360801	(000000-) Sleeve	1
6	32548	(000000-) Rivet, Pop	4
7	76570	(000000-) Screw, Hex, M08-1.25 X 30, 8.8	1
8	32491	(000000-) Washer, Flat, .31 Hard	20
9	07791	(000000-) Nut, Hex, Flange, M08-1.25	1
10	06955	(000000-) Screw, Hex, M08-1.25 X 35, 8.8	1
11	382044	(000000-) Hinge Wldt, Cover, Rear	1
12	382058	(000000-) Hinge Wldt, Cover, Rear	1
13	382042	(000000-) Hinge Wldt, Cover, Rear	1
14	381998	(000000-) Plate, Hinge, Upper	1
15	71891	(000000-) Bumper, Rubber	4
16	16931	(000000-) Screw, Hex, M08-1.25 X 20, 8.8	10
17	381455	(000000-) Bumper, Rear	1
18	39277	(000000-) Screw, Hex, M08-1.25 X 25, 8.8	4
19	08709	(000000-) Nut, Hex, Lock, M08-1.25,NI	6
20	21168	(000000-) Rivet, Plstc	2
21	382492	(000000-) Flap, Air, Pivot	1
22	382489	(000000-) Insulation, Acoustic, Cover, Eng, Rh	1
23	382490	(000000-) Insulation, Acoustic, Cover, Eng, Lh	1
24	382184	(000000-) Bag	1
25	382412	(000000-) Plate, Radiator	1
26	382429	(000000-) Seal, Bulb, Str, .58D.06-.09Grip 11.2L	1
27	381454	(000000-) Seat	1
28	41186	(000000-) Washer, Belleville, .31	4
29	09145	(000000-) Screw, Pan, M06-1.0 X 16, 4.8	4
30	382526	(000000-) Cover, Blue	1
30	382322	(000000-) Cover, White	1
30	382623	(000000-) Cover, Yellow	1
30	382620	(000000-) Cover, Red	1
30	382622	(000000-) Cover, Purple	1
30	382621	(000000-) Cover, Green	1
31	382323	(000000-) Handle	1
32	87821	(000000-) Rivet, Pop	2
33	382324	(000000-) Hinge	1
34	382325	(000000-) Plate	3
35	80218	(000000-) Rivet, Pop .196dx.76x38dhd	4
36	382326	(000000-) Magnet, Catch	1
37	382961	(001580-) Reflector, Red, 3.34 Dia	2

Fig. 8 - Instrument Panel Group

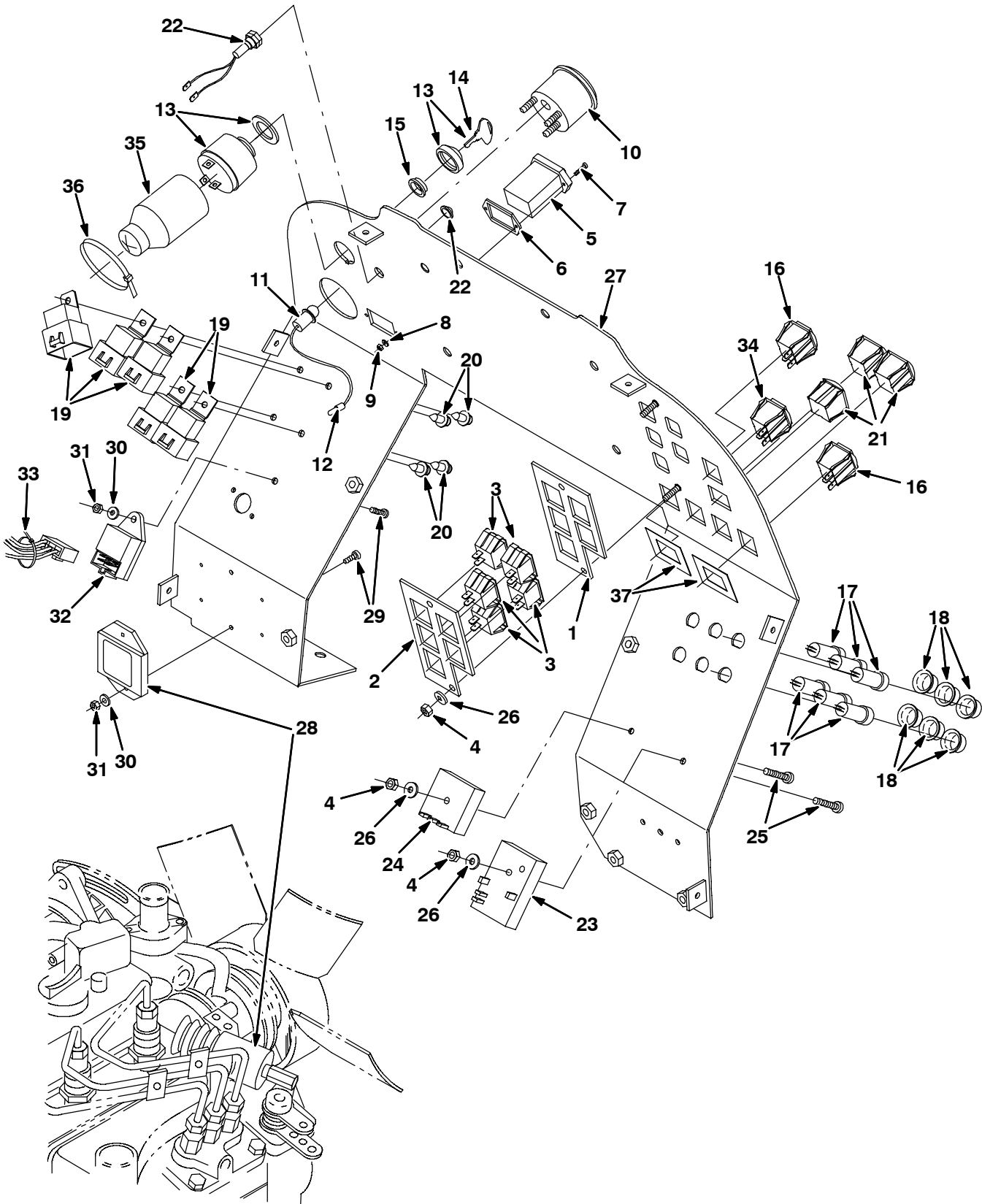


Fig. 8 - Instrument Panel Group

Ref.	Tennant Part No.	Machine Serial Number	Description	Qty.
1	381792	(000000-) Seal, Rbr, Close, .13T, Light	1
2	381793	(000000-) Plate, Mtg, Light	1
3	361075	(000000-) Lamp Assembly, Indicator, 12v	5
4	08708	(000000-) Nut, Hex, Lock, M06-1.0, NI	4
5	31988	(000000-) Hourmeter, Electronic	1
6	222683	(000000-) Gasket	1
7	09146	(000000-) Screw, Pan, M03-0.5 X 12, 4.8	2
8	39658	(000000-) Washer, Lock, Int, #04	2
9	01754	(000000-) Nut, Hex, Std, M03-0.5	2
10	34813	(000000-) Gauge, Fuel	1
▽	11	55271	(000000-) Lamp Assembly, Instrument, 12v	1
▲	12	55272	(000000-) Plug	1
▲		48570-1	(000000-) Bulb	1
▽	13	87536	(000000-) Switch	1
▲	14	87866	(000000-) Key, Switch, Set Of Two	1
15	382516	(000000-) Boot, Switch	1
16	360520	(000000-) Switch, Rocker	2
17	57803	(000000-) Circuitbreaker 15A	6
18	57751	(000000-) Boot	6
19	56186	(000000-) Relay, 12v	5
20	72970	(000000-) Rivet, Plstc	4
21	80277	(000000-) Plug, Switch	3
22	382703	(000000-) Lamp, Glowplug	1
23	382422	(000000-) Timer, (Soft Start Delay)	1
24	382421	(000000-) Timer, 4 Sec	1
25	33944	(000000-) Screw, Pan, M06-1.0 X 35, 4.8	2
26	32483	(000000-) Washer, Flat, .25 Sae	4
27	382592	(000000-) Panel Wldt, Instrument, w/Label	1
28	382494	(000000-) Kit, Solenoid, Fuel	1
29	06933	(000000-) Screw, Pan, M05-0.8 X 16, 4.8	3
30	19066	(000000-) Washer, Flat, #10	3
31	06549	(000000-) Nut, Hex, Lock, M05-0.8, NI	3
32	366026	(000000-) Timer, Glow Plug	1
33	49266	(000000-) Tie, Cable, 7.5L, 1.75D Max	1
34	382280	(000000-) Switch, Toggle	1
35	383165	(000000-) Boot, Switch, Ignition	1
36	49263	(000000-) Tie, Cable, Nyl, 11.4L .19W 3.0 Max D	1
37	80326	(000000-) Plate	2

Fig. 9 - Instrument Panel Side Covers Group

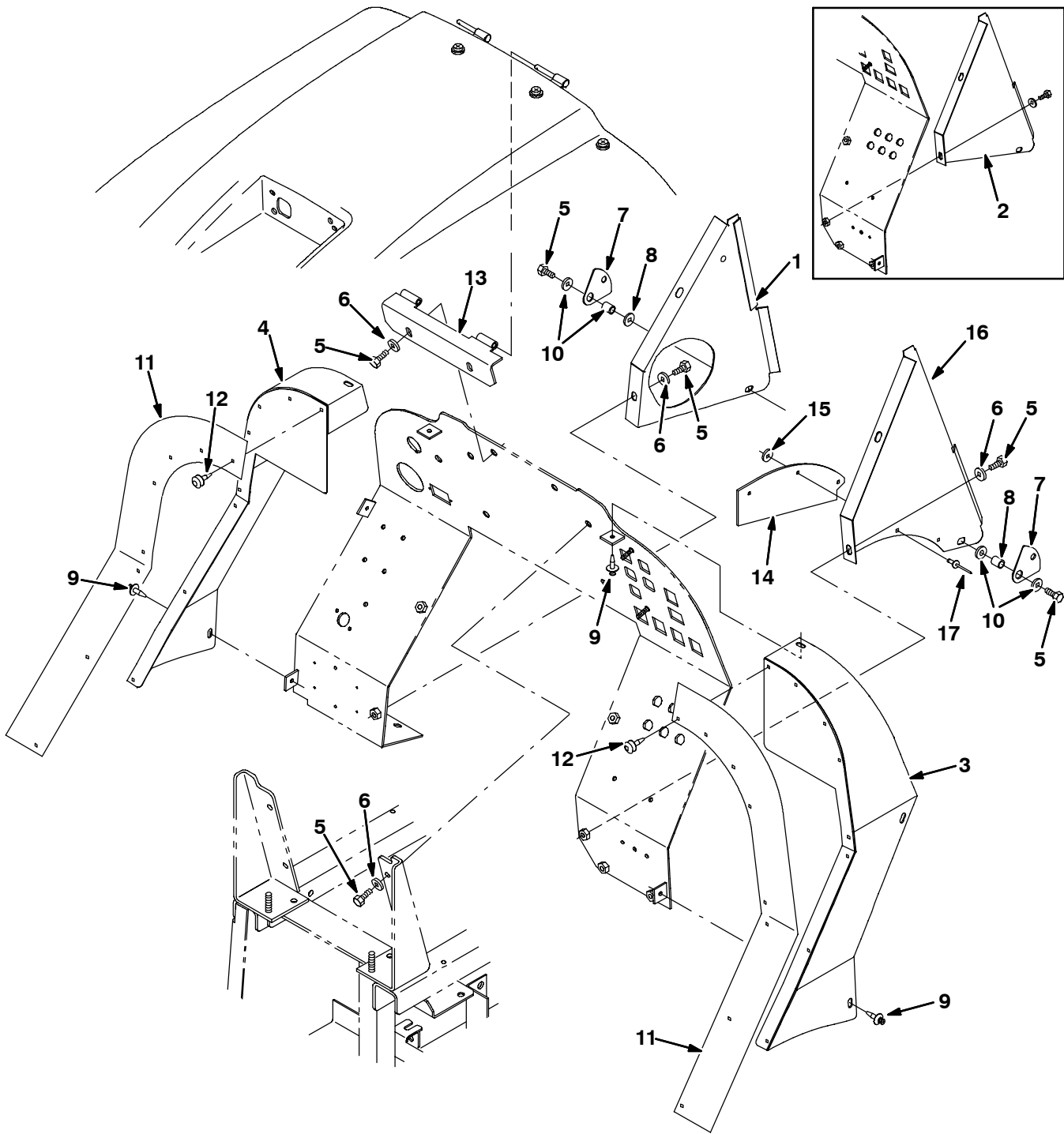


Fig. 9 - Instrument Panel Side Covers Group

Ref.	Tennant Part No.	Machine Serial Number	Description	Qty.
1	382510	(000000-) Plate, Cover, Rh W/Label	1
2	381991	(000000-001195) Plate, Cover, Lh	1
3	382201	(000000-) Shield, Lh	1
4	382200	(000000-) Shield, Rh	1
5	16931	(000000-) Screw, Hex, M08 X 1.25 X 20, 8.8	12
6	32491	(000000-) Washer, Flt, .31 Std	10
7	382498	(000000-) Catch, Cover	2
8	222556	(000000-) Sleeve	2
9	72970	(000000-) Rivet, Plstc, .250d X 0.898	6
10	32490	(000000-) Washer, Flt, .25 Std	4
11	382210	(000000-) Seal, Cover	2
12	21168	(000000-) Clip, [Pine-Tree], .250h, Plstc	16
13	381747	(000000-) Bracket Wldt, Hinge, Cover, Front	1
14	382862	(001196-) Flap, Access	1
15	08793	(001196-) Washer, 0.20b 0.50d .06, Alm	3
16	382771	(001196-) Plate, Cover, Lh	1
17	80218	(001196-) Rivet, Blind, .187d X 0.66 X .38d, Alm	3

Fig. 10 - Steering Handle Group

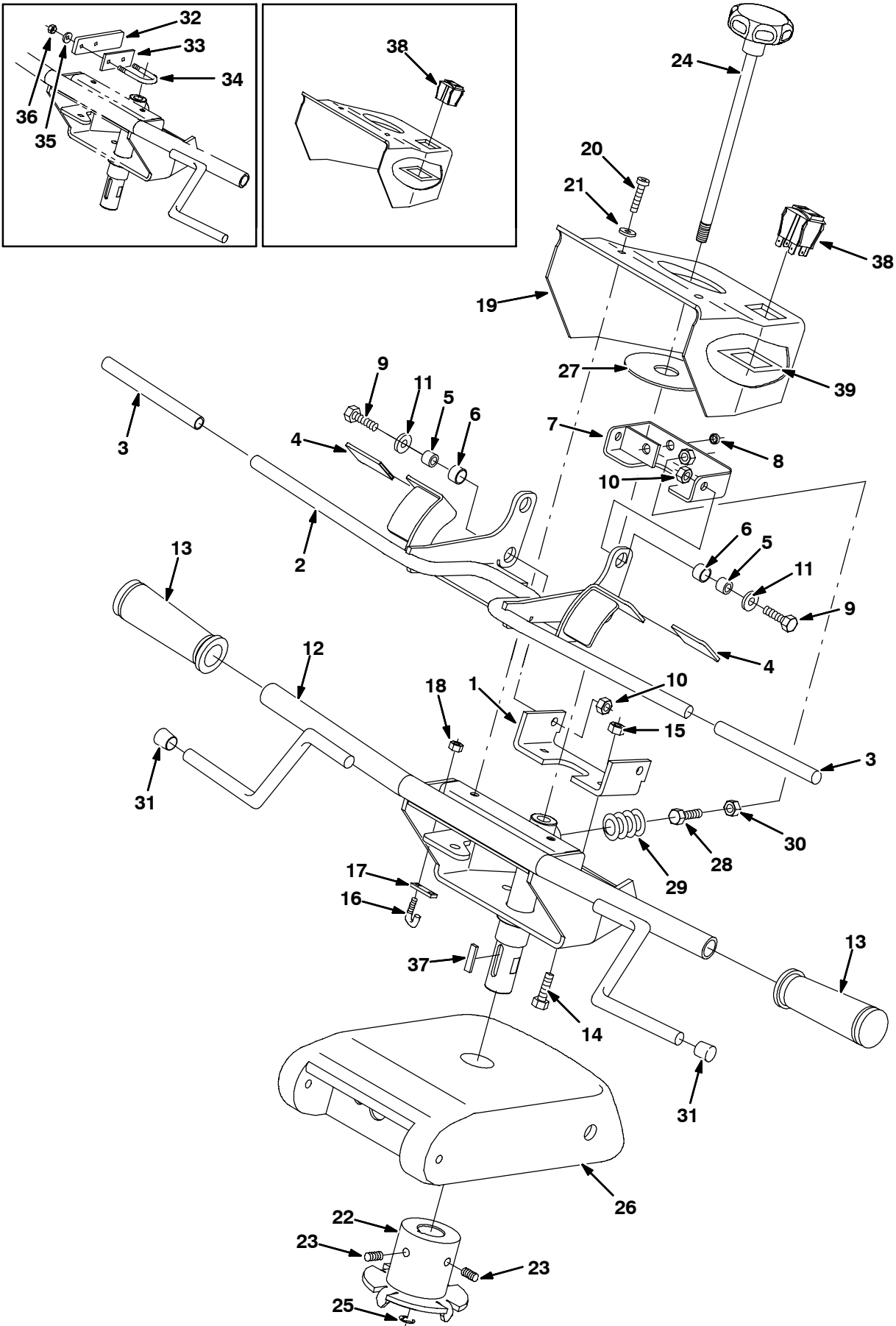


Fig. 10 - Steering Handle Group

Ref.	Tennant Part No.	Machine Serial Number	Description	Qty.
1	382143	(000000-) Bracket, Pivot	1
2	382151	(000000-) Handle Wldt, Speed	1
3	382291	(000000-) Grip, Vinyl	2
4	382188	(000000-) Cap, Bar	2
5	222460	(000000-) Sleeve	4
6	360917	(000000-) Bearing, Flange	4
7	382159	(000000-) Plate Wldt, Speed	1
8	80491	(000000-) Sleeve	1
9	39277	(000000-) Screw, Hex, M08-1.25 X 25, 8.8	4
10	39311	(000000-) Nut, Hex, Std, M08-1.25	4
11	01685	(000000-) Washer, Flat, .31 Ss	4
12	382152	(000000-) Handle Wldt, Steering	1
13	222648	(000000-) Grip, Handle, Round	2
14	16931	(000000-) Screw, Hex, M08-1.25 X 20, 8.8	2
15	39311	(000000-) Nut, Hex, Std, M08-1.25	2
16	80425	(000000-) Bolt	1
17	80429	(000000-) Support, Cable	1
18	08708	(000000-) Nut, Hex, Lock, M06-1.0, NI	1
19	382586	(000000-001579)) Cover, Steering, Mechanical w/Label	1
19	381781	(001580-) Cover, Steering, Mechanical	1
20	09200	(000000-) Screw, Pan, M05-0.8 X 12, Ss	4
21	01683	(000000-) Washer, Flat, #10 Ss	4
22	382080	(000000-) Plate Assy, Steering	1
23	70650	(000000-) Screw, Set, M08-1.25x 12, 45h	2
24	382175	(000000-) Knob, Steering	1
25	24555	(000000-) Ring, Retaining, External	1
26	381580	(000000-) Support, Steering	1
27	222786	(000000-) Washer, Polye	1
28	76570	(000000-) Screw, Hex, M08-1.25 X 30, 8.8	1
29	22290	(000000-) Spring, Compression	1
30	39311	(000000-) Nut, Hex, Std, M08-1.25	1
31	382209	(000000-) Cap, Vinyl	2
32	382610	(000000-001060)) Guide, Propel (Repl. by 382159)	1
33	382611	(000000-001060)) Plate, Support, Guide (Repl. by 382159)	1
34	382609	(000000-001060)) Bolt, U .25 x 1.25 (Repl. by 382159)	1
35	32490	(000000-001060)) Washer Flt .25 (Repl. by 382159)	2
36	32981	(000000-001060)) Nut Hxlocnyln .25-20 (Repl. by 382159)	2
37	00928	(000000-) Key, Square, .25 x .25 x1.0 Lg	1
38	80277	(000000-001579)) Button, Plug, 1.1X0.9H [Black Nyl]	1
38	382280	(001580-) Switch, Rocker, 36vdc 16a Dpdt On/Of/On	1
39	383016	(000000-) Plate, Retainer, Switch	1

Fig. 11 - Steering Handle Pivot Group

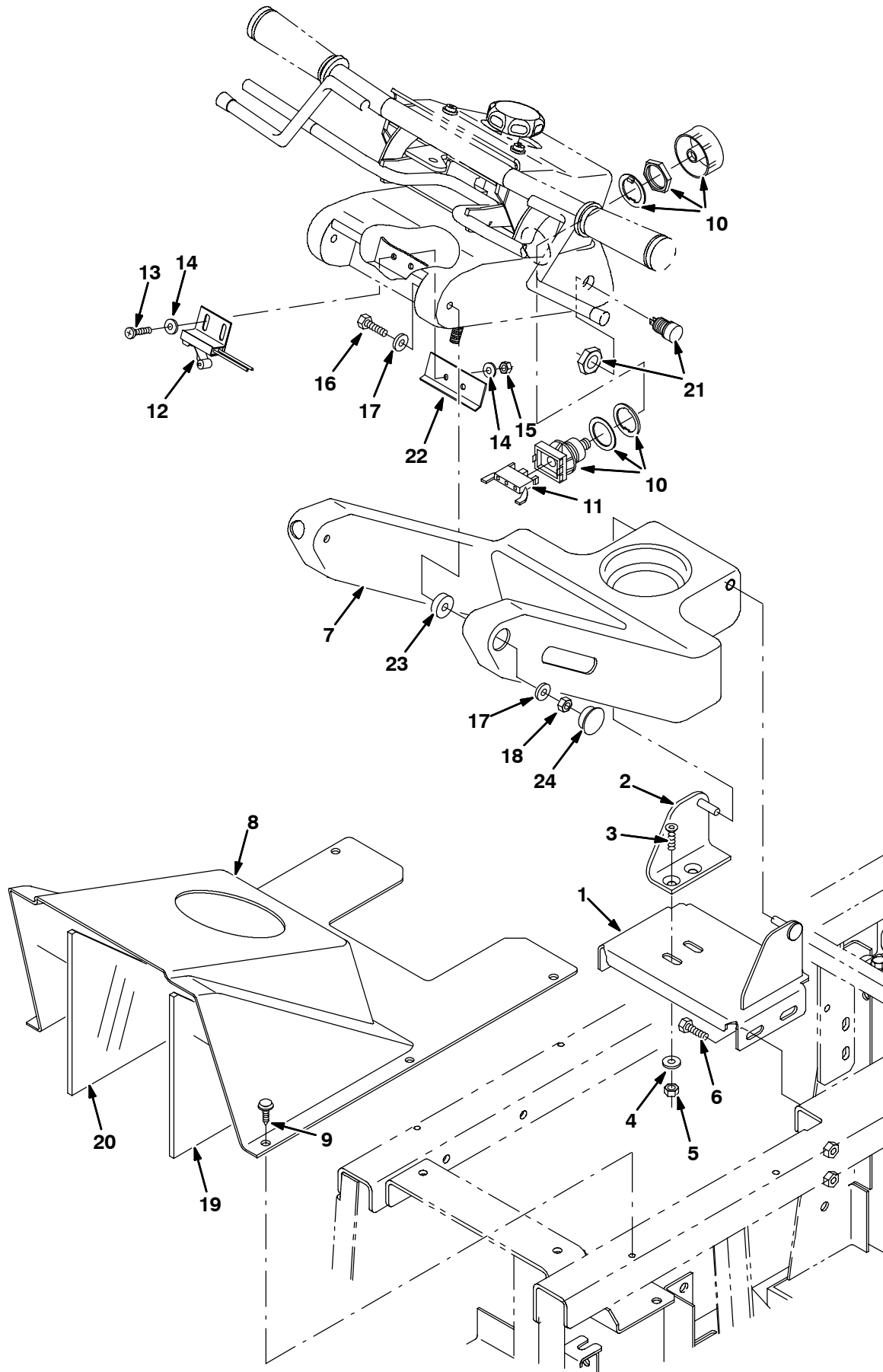


Fig. 11 - Steering Handle Pivot Group

Ref.	Tennant Part No.	Machine Serial Number	Description	Qty.
1	382466	(000000-) Bracket Wldt, Mtg, Steering	1
2	382457	(000000-) Bracket Mtg, Steering	1
3	07810	(000000-) Screw, Flat, M08-1.25x 25,10.9	2
4	32491	(000000-) Washer, Flat, .31 Hard	2
5	08709	(000000-) Nut, Hex, Lock, M08-1.25,NI	2
6	16931	(000000-) Screw, Hex, M08-1.25 X 20, 8.8	4
7	381577	(000000-) Coupling, Steering	1
8	382525	(000000-) Cover, Steering, Blue	1
8	381581	(000000-) Cover, Steering, White	1
8	383013	(000000-) Cover, Steering, Yellow	1
8	383010	(000000-) Cover, Steering, Red	1
8	383012	(000000-) Cover, Steering, Purple	1
8	383011	(000000-) Cover, Steering, Green	1
9	21168	(000000-) Rivet, Plstc	6
10	78553	(000000-) Switch	1
11	65665	(000000-) Contact, Switch	1
12	367404	(000000-) Switch Assy, Roller, No	2
13	09200	(000000-) Screw, Pan, M05-0.8 X 12, Ss	2
14	19066	(000000-) Washer, Flat, #10	4
15	09739	(000000-) Nut, Hex, Lock, M05-0.8, NI,Ss	2
16	06957	(000000-) Screw, Hex, M08-1.25 X 60,8.8	2
17	32490	(000000-) Washer, Flat, .25 Hard	4
18	08709	(000000-) Nut, Hex, Lock, M08-1.25,NI	2
19	382488	(000000-) Insulation, Acoustic, Lh	1
20	382487	(000000-) Insulation, Acoustic, Rh	1
21	382282	(000000-) Button, Horn	1
22	382612	(000000-) Plate Mtg, Switch	1
23	382185	(000000-) Spacer	2
24	55035	(000000-) Button, Plug 1.00H .00-.17 Balck, Nyl	2

Fig. 12 - Front Steering Linkage

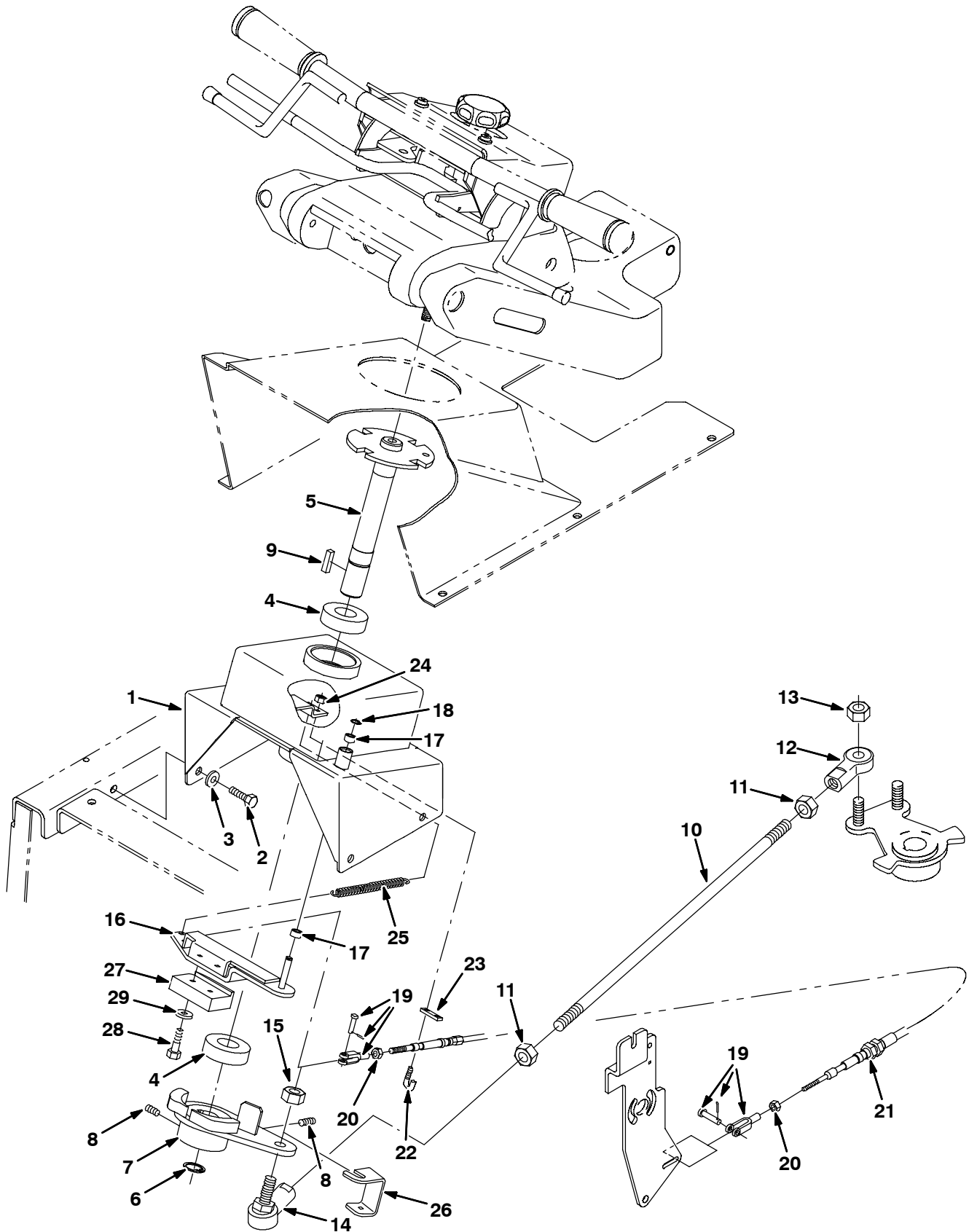


Fig. 12 - Front Steering Linkage

Ref.	Tennant Part No.	Machine Serial Number	Description	Qty.
1	382086	(000000-) Housing Wldt, Bearing	1
2	50388	(000000-) Screw, Hex, M08-1.25 X 12, 8.8	4
3	32491	(000000-) Washer, Flat, .31 Hard	4
4	13534	(000000-) Bearing, Ball	2
5	382077	(000000-) Plate Assy, Steering	1
6	13766	(000000-) Ring, Retaining	1
7	382179	(000000-) Lever, Steering	1
8	70650	(000000-) Screw, Set, M08-1.25x 12, 45h	2
9	00500-15	(000000-) Key, Woodruff	1
10	381986	(000000-) Rod, Steering	1
11	48985	(000000-) Nut, Hex, Jam, .50-20	2
12	67555	(000000-) Rod-End	1
13	08711	(000000-) Nut, Hex, Lock, M12 X 1.75,NI	1
14	382099	(000000-) BallJoint, .50-20 Lh	1
15	51824	(000000-) Nut, Hex, Lock, .50-20, NI	1
16	382091	(000000-) Arm Assy	1
17	05582	(000000-) Bearing	2
18	23524-1	(000000-) Ring, Retaining	1
19	27880	(000000-) Yoke Assy	2
20	01713	(000000-) Nut, Hex, Std, #10-32, G2	2
21	382096	(000000-) Cable	1
22	80425	(000000-) Bolt	1
23	80429	(000000-) Support, Cable	1
24	08708	(000000-) Nut, Hex, Lock, M06-1.0, NI	1
25	382097	(000000-) Spring, Extn, 0.38D .04Wire 4.0L	1
26	382206	(000000-) Bar	1
27	382199	(000000-) Bar	1
28	06945	(000000-) Screw, Hex M6 x 1.0	2
29	32483	(000000-) Washer Flt .25	2

Fig. 13 - Rear Steering Linkage

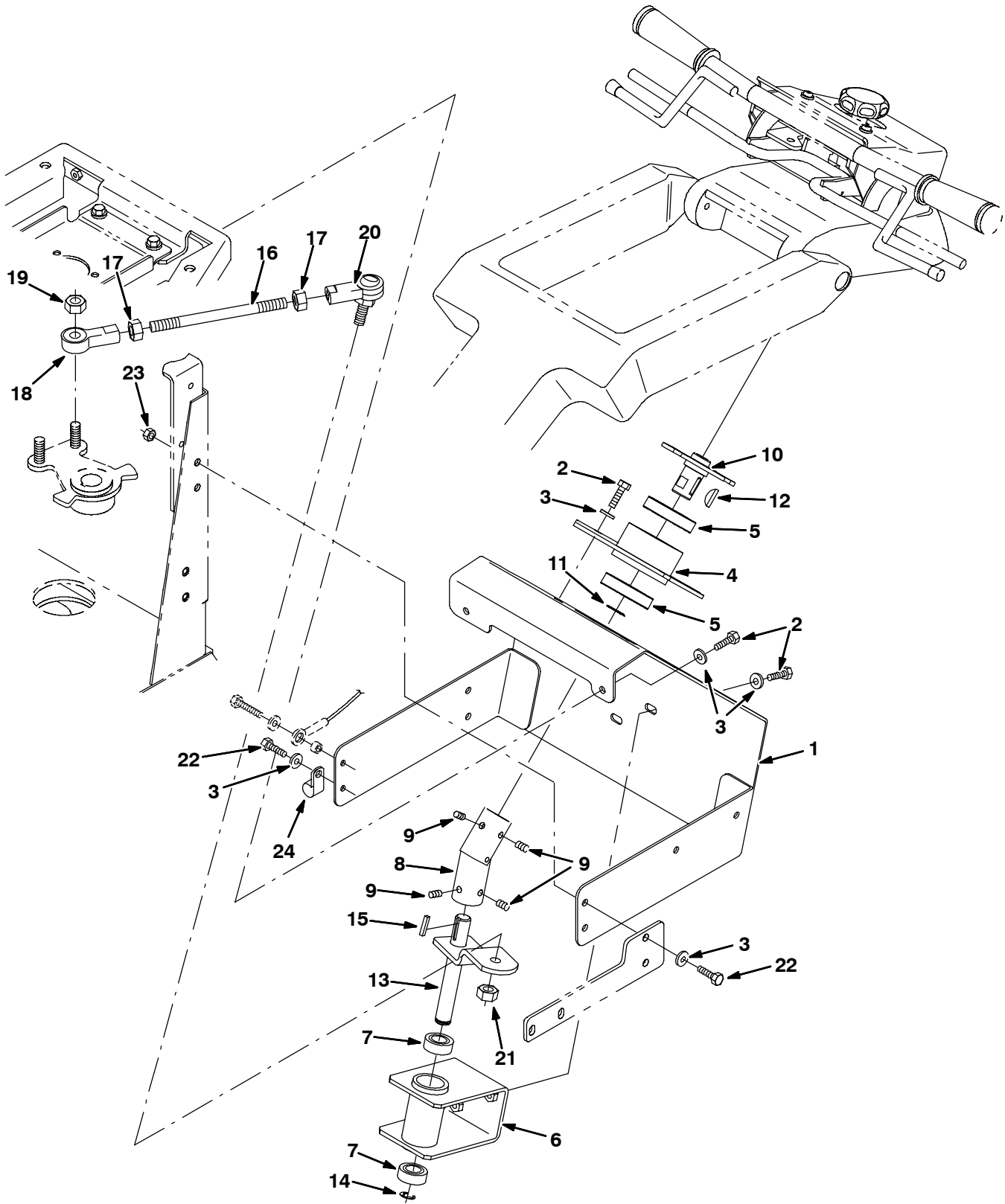


Fig. 13 - Rear Steering Linkage

Ref.	Tennant Part No.	Machine Serial Number	Description	Qty.
1	382082	(000000-) Bracket Wldt, Steering	1
2	16735	(000000-) Screw, Hex, M08-1.25 X 16, 8.8	7
3	32491	(000000-) Washer, Flat, .31 Hard	10
4	381839	(000000-) Mount Wldt, Bearing	1
5	382075	(000000-) Bearing, Ball, 1.50B, 2.63D 0.56W	2
6	381822	(000000-) Channel, Wldt, Steering	1
7	223073	(000000-) Bearing, Flange	2
8	381712	(000000-) Joint, Universal	1
9	39338	(000000-) Screw, Set, .31-18 X 0.50, Soc	4
10	382083	(000000-) Plate Assy, Steering	1
11	13766	(000000-) Ring, Retaining	1
12	00500-15	(000000-) Key, Woodruff	1
13	381736	(000000-) Lever Assy, Steering, Rear	1
14	23788-1	(000000-) Ring, Retaining, Ext, 0.75D	1
15	00928	(000000-) Key, Square	1
16	381711	(000000-) Rod, Rear Steering	1
17	48985	(000000-) Nut, Hex, Jam, .50-20	2
18	67555	(000000-) Rod-End	1
19	32985	(000000-) Nut, Hex, Lock, .50-13, NI	1
20	382099	(000000-) Balljoint, .50-20	1
21	51824	(000000-) Nut, Hex, Lock, .50-20, NI	1
22	39277	(000000-) Screw, Hex, M08-1.25 X 25, 8.8	3
23	07791	(000000-) Nut, Hex, Flange, M08-1.25	3
24	46236	(000000-) Clamp, Cable, .025D 0.56W Stl	1

Fig. 14 - Rear Wheel Mount Group

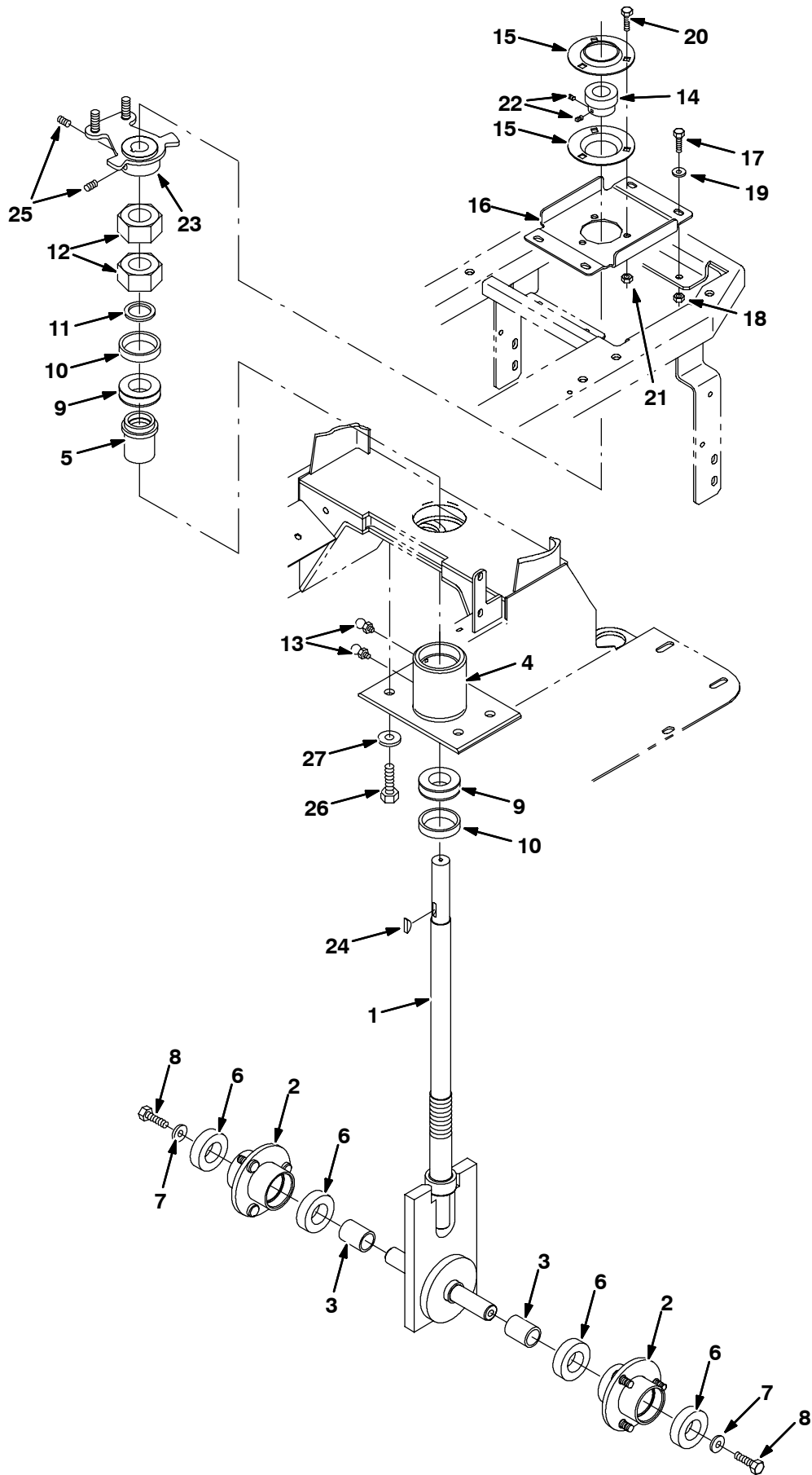


Fig. 14 - Rear Wheel Mount Group

Ref.	Tennant Part No.	Machine Serial Number	Description	Qty.
1	381429	(000000-) Support Wldt, Wheels, Rear	1
2	381718	(000000-) Hub, Wheel, Rim, Mtg	2
3	381901	(000000-) Spacer	2
4	382127	(000000-) Mount, Bearing, Rear	1
5	382117	(000000-) Seal, Grease	1
6	13534	(000000-) Bearing, Ball	4
7	13248	(000000-) Washer	2
8	06961	(000000-) Screw, Hex, M10-1.5 X 20, 8.8	2
9	24988	(000000-) Bearing, Cone	2
10	24989	(000000-) Bearing, Cup	2
11	47719	(000000-) Washer	1
12	41431	(000000-) Nut-Hx Jam 1.25-12 Pltd	2
13	47801	(000000-) Fitting, Grease	2
14	24835	(000000-) Bearing	1
15	36190	(000000-) Flange	2
16	382271	(000000-) Bracket Wldt, Mtg, Bearing	1
17	16735	(000000-) Screw, Hex, M08-1.25 X 16, 8.8	4
18	08709	(000000-) Nut, Hexnynloc M8x1.25	4
19	32491	(000000-) Washer, Flat, .31 Hard	4
20	39277	(000000-) Screw, Hex, M08-1.25 X 25, 8.8	3
21	07791	(000000-) Nut, Hex, Flange, M08-1.25	3
22	57496	(000000-) Screw, Set, .25-20 X 0.31, NI	2
23	381988	(000000-) Lever Wldt, Steering	1
24	00500-15	(000000-) Key, Woodruff	1
25	70650	(000000-) Screw, Set, M08-1.25x 12, 45h	2
26	41346	(000000-) Screw, Hex, M12-1.75 X 30, 8.8	4
27	32493	(000000-) Washer, Flat, .50 Hard	4

Fig. 15 - Rear Tire and Rim Assembly, Black

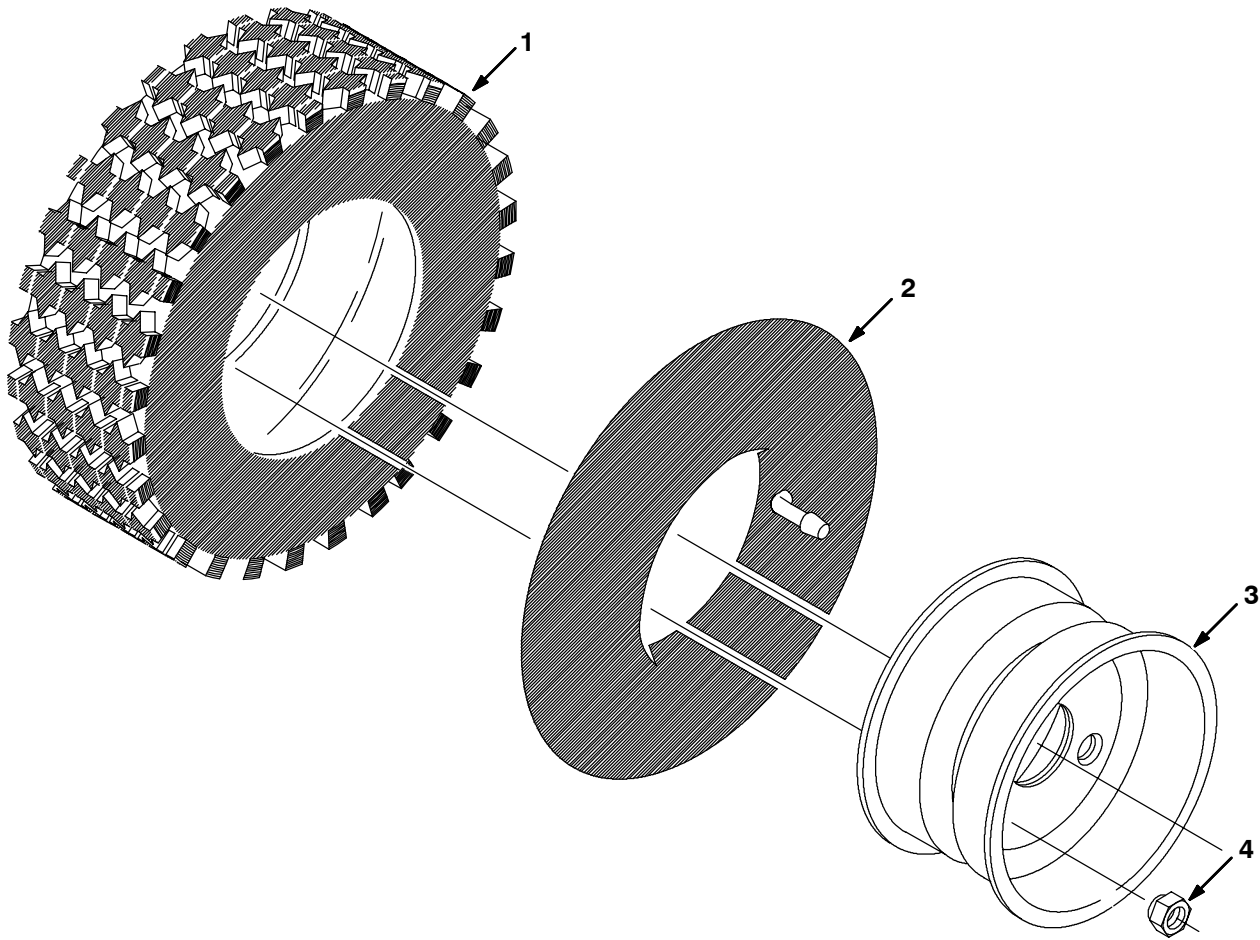


Fig. 15 - Rear Tire and Rim Assembly, Black

	Ref.	Tennant Part No.	Machine Serial Number	Description	Qty.
∇		78572	(000000-) Tire and Rim Assembly, Black	2
▲	1	374049	(000000-) Tire, 4.10/3.5-6, Black	1
▲	2	04658	(000000-) Tube, Inner	1
▲	3	04657	(000000-) Rim	1
	4	11109	(000000-) Nut, Wheel	6

Fig. 16 - Front Drive Wheels and Brake Group

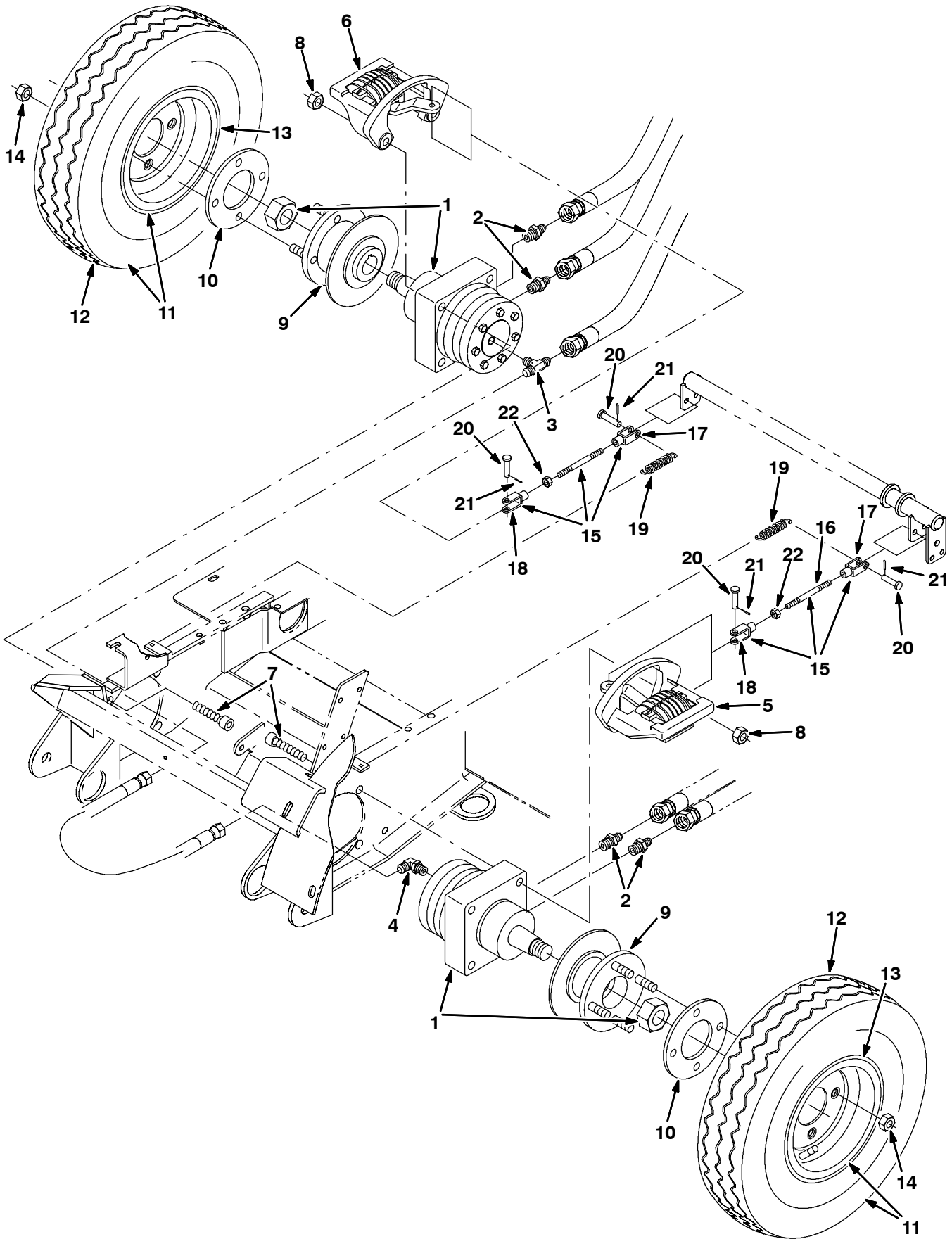


Fig. 16 - Front Drive Wheels and Brake Group

Ref.	Tennant Part No.	Machine Serial Number	Description	Qty.	
1	381841	(000000-) Motor, Hyd Gear In 07.7 B (See Breakdowns)	2	
2	56692	(000000-) Fitting, Hyd, Str	4	
3	31599	(000000-) Fitting, Hyd, Tee	1	
4	77097	(000000-) Fitting, Hyd, Elbow	1	
5	381433	(000000-) Brake Assy, 6.0 Ccw (See Breakdowns)	1	
6	381434	(000000-) Brake Assy, 6.0 Cw (See Breakdowns)	1	
7	381900	(000000-) Scr Soc M12x1.75 80	8	
8	08711	(000000-) Nut, Hex, Lock, M12-1.75,NI	8	
9	381432	(000000-) Hub, Disc Brake 6.0 Od	2	
10	382225	(000000-) Plate, Spacer, Wheel, Front	2	
▽	11	381430	(000000-) Wheel Assy	2
▲	12	382217	(000000-) Tire	1
▲	13	382218	(000000-) Rim	1
	14	24339	(000000-) Nut, Wheel, .50-20 X 60 Angle	8
▽	15	382220	(000000-) Linkage Assy, Brake	2
▲	16	382219	(000000-) Rod, Linkage	1
▲	17	382222	(000000-) Clevis, Adj, .31	1
▲	18	382223	(000000-) Clevis, Adj, .31	1
	19	28281	(000000-) Spring, Tension	2
	20	69582	(000000-) Pin, Clevis .31 Dia x 1.00 Lg	4
	21	39005	(000000-) Pin, Cotter	4
	22	01715	(000000-) Nut, Hex, Std, .31-24	2

Fig. 17 - Brake Pedal Group

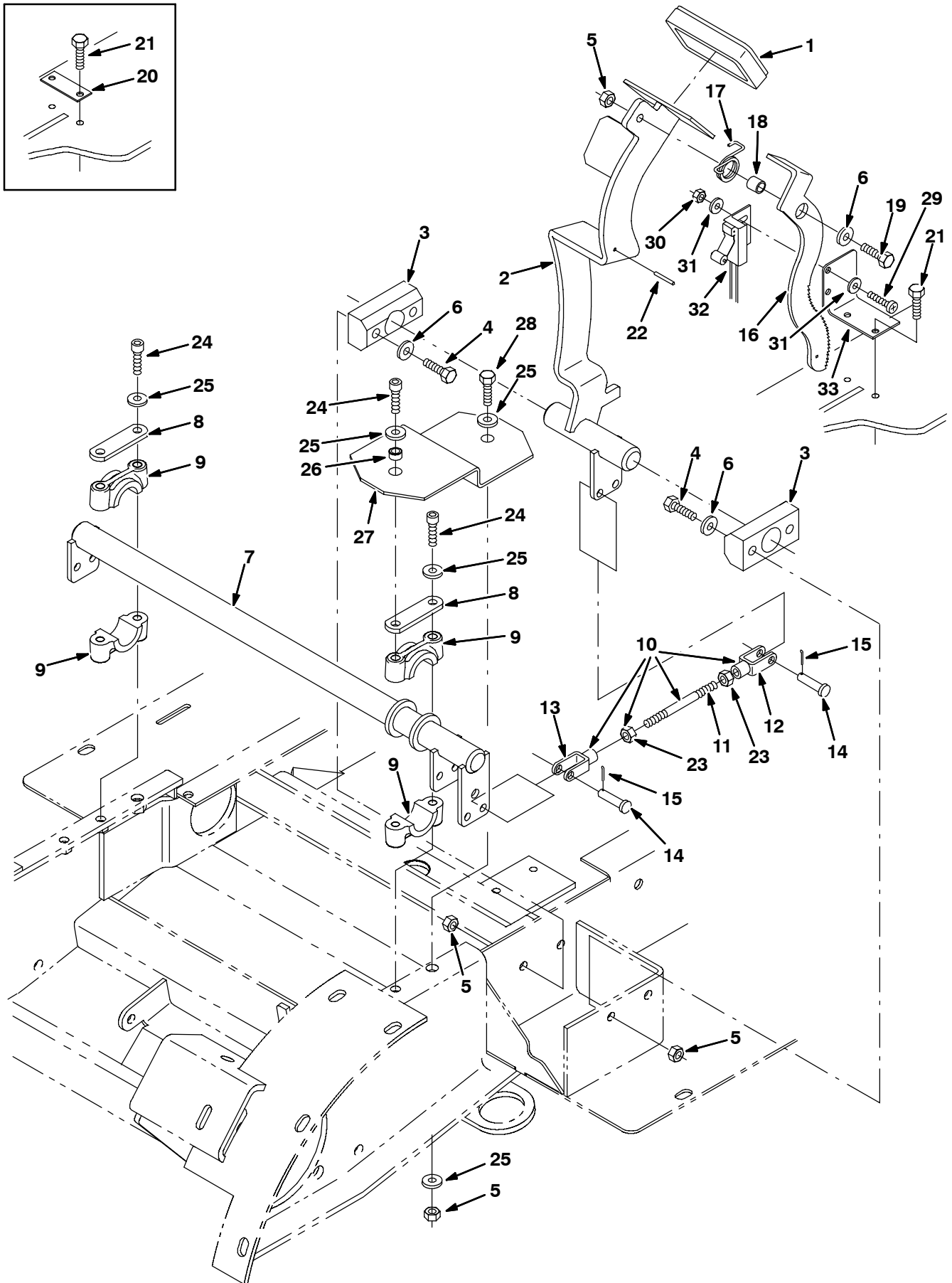


Fig. 17 - Brake Pedal Group

Ref.	Tennant Part No.	Machine Serial Number	Description	Qty.
1	51109	(000000-) Pad	1
2	382925	(000000-) Arm Wldt, Pedal, Brake	1
3	364342	(000000-) Bearing, Brake	2
4	06956	(000000-) Screw, Hex, M08-1.25 X 45, 8.8	4
5	08709	(000000-) Nut, Hex, Lock, M08-1.25,NI	6
6	32491	(000000-) Washer, Flat, .31 Hard	5
7	381542	(000000-) Lever Wldt, Brake	1
8	382224	(000000-) Plate, Support	2
9	381502	(000000-) Bearing, Half, 1.00 Dia	4
∇	10	382220	(000000-) Linkage Assy, Brake	1
▲	11	382219	(000000-) Rod, Linkage	1
▲	12	382222	(000000-) Clevis, Adj, .31 Pin .31-24	1
▲	13	382223	(000000-) Clevis, Adj, .31 Pin .31-24	1
14	69582	(000000-) Pin, Clevis	2
15	39005	(000000-) Pin, Cotter	2
16	382180	(000000-) Pedal, Stop	1
17	59009	(000000-) Spring, Torsion	1
18	222556	(000000-) Sleeve	1
19	76570	(000000-) Screw, Hex, M08-1.25 X 30, 8.8	1
20	382181	(000000-001579)) Plate, Stop, Parking	1
21	223198	(000000-001579)) Screw, Hex, M5 X 0.8 X 10, Fmg	2
22	11476	(000000-) Pin	1
23	01715	(000000-) Nut, Hex, Std, .31-24	2
24	09037	(000000-) Screw, Soc, M08-1.25 X 70, Al	4
25	32490	(000000-) Washer, Flat, .25 Hard	6
26	360801	(000000-) Sleeve	1
27	382668	(000000-) Flap, Guard, Hose	1
28	16931	(000000-) Screw, Hex, M08-1.25x20, 8.8	1
29	06933	(001580-) Screw, Pan, M5 X 0.8 X 16, 4.8	2
30	06949	(001580-) Screw, Hex, M6 X 1.0 X 50, 8.8	2
31	19066	(001580-) Washer, Flat, #10	4
32	367403	(001580-) Switch, Snap Actn, 12vdc 15a Nc Rlr	1
33	382922	(001580-) Bracket, Angle, Mtg, Switch, Brake Light	1

Fig. 18 - Engine and Mount Group

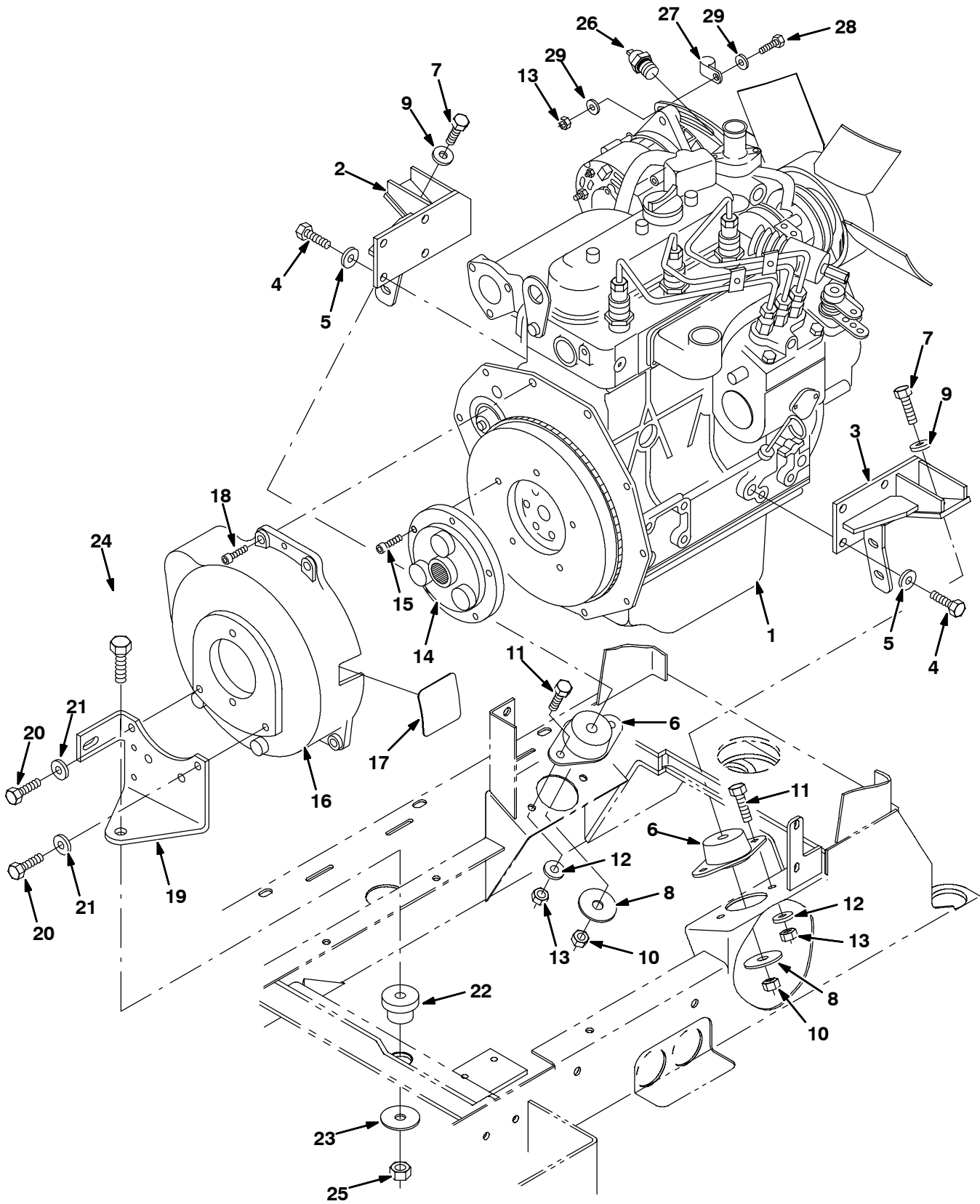


Fig. 18 - Engine and Mount Group

Ref.	Tennant Part No.	Machine Serial Number	Description	Qty.
1	381600	(000000-) Engine Assy, Kubo Dsl [D722], (See Engine Breakdowns)	1
2	381614	(000000-) Mount Wldt, Engine, Rh	1
3	381615	(000000-) Mount Wldt, Engine, Lh	1
4	58286	(000000-) Screw-Hex M10x1.25 20 8.8 Pltd	8
5	32492	(000000-) Washer, Flat, .38 Hard	8
6	360721	(000000-) Isolator	2
7	06973	(000000-) Screw, Hex, M12-1.75 X 70, 8.8	2
8	04414	(000000-) Washer	2
9	32486	(000000-) Washer, Flat, .50 Sae	2
10	08711	(000000-) Nut, Hex, Lock, M12-1.75,NI	2
11	16931	(000000-) Screw, Hex, M08-1.25 X 20, 8.8	4
12	39349	(000000-) Washer, Flat, .31 Sae	4
13	08709	(000000-) Nut, Hex, Lock, M08-1.25,NI	5
14	361118	(000000-) Coupling, Flywheel	1
15	39308	(000000-) Screw, Soc, M10-1.5 X 25,12.9	5
16	381624	(000000-) Housing, Flywheel	1
17	360959	(000000-) Seal	1
18	41445	(000000-) Screw, Soc, M08-1.25 X 35, Al	4
19	382368	(000000-) Plate, Mtg, Motor	1
20	21197	(000000-) Screw, Hex, .38-16 X 1.00, G5	2
21	32492	(000000-) Washer, Flat, .38 Hard	2
22	51176	(000000-) Dampener, Engine	1
23	04414	(000000-) Washer	1
24	06972	(000000-) Screw, Hex, M12-1.75 X 60, 8.8	1
25	08711	(000000-) Nut, Hex, Lock, M12-1.75,NI	1
26	60711	(000000-) Switch, Temperature	1
27	82829	(000000-) Clamp, Cable, Stl, 0.63D X 0.75W, 1H	1
28	39277	(000000-) Screw, Hex, M8X1.25X25, 8.8	1
29	32491	(000000-) Washer, Flat, 0.31 Std	2

Fig. 19 - Throttle Group

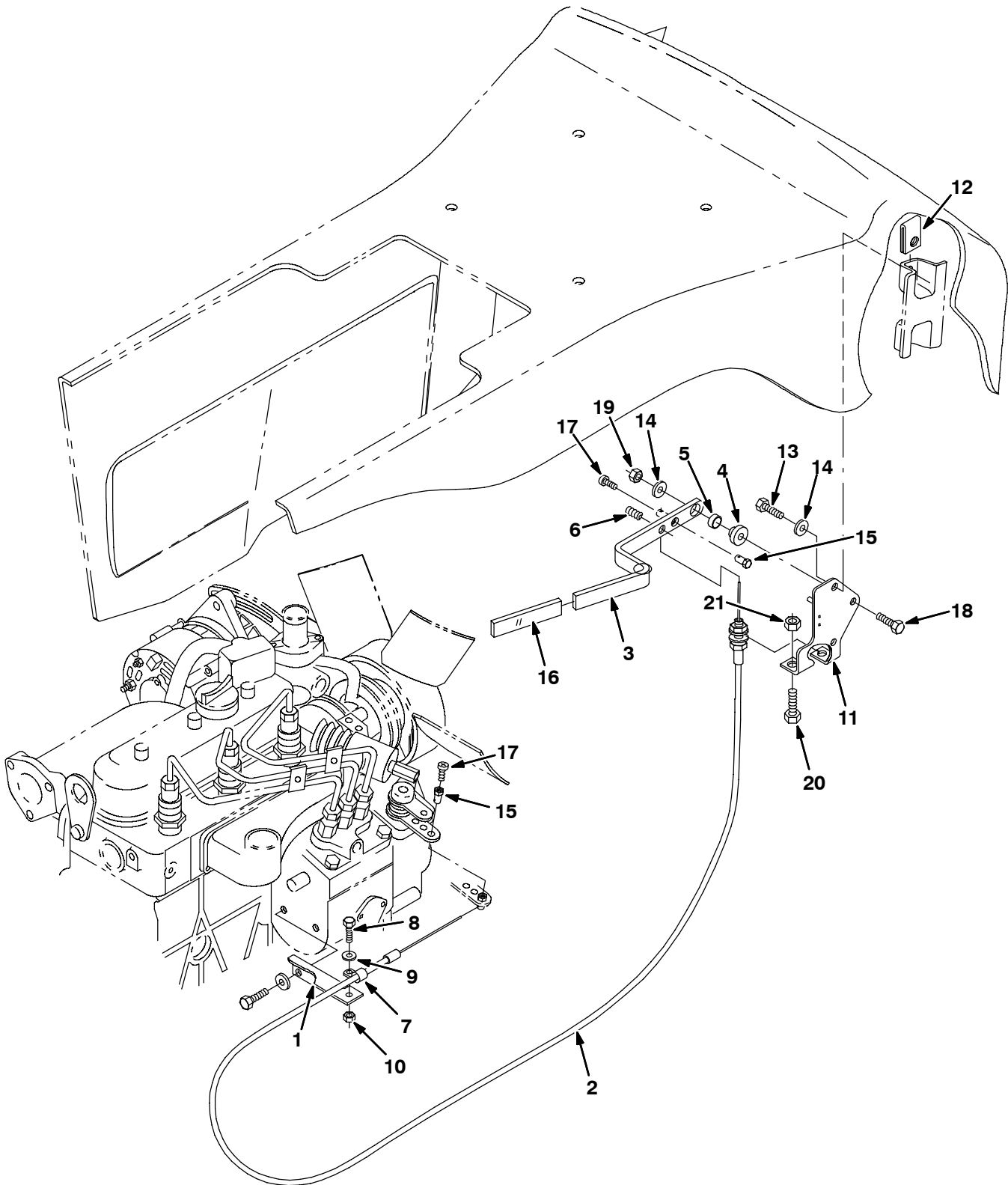


Fig. 19 - Throttle Group

Ref.	Tennant Part No.	Machine Serial Number	Description	Qty.
1	382043	(000000-) Bracket, Mtg, Cable	1
2	367383	(000000-) Cable, Throttle	1
3	382235	(000000-) Handle, Throttle	1
4	367451	(000000-) Spacer, Lever, Throttle	1
5	367452	(000000-) Bearing, Sleeve	1
6	69659	(000000-) Plunger	1
7	26414	(000000-) Clamp	1
8	06942	(000000-) Screw, Hex, M06-1.0 X 16, 8.8	1
9	32483	(000000-) Washer, Flat, .25 Sae	1
10	08708	(000000-) Nut, Hex, Lock, M06-1.0, NI	1
11	382552	(000000-) Bracket	1
12	58595	(000000-) Nut, U, M08-1.25	2
13	16931	(000000-) Screw, Hex, M08-1.25 X 20, 8.8	2
14	32491	(000000-) Washer, Flat, .31 Hard	3
15	43242	(000000-) Swivel	2
16	360467	(000000-) Grip, Vinyl	1
17	32515	(000000-) Screw, Pan, #08-32 X 0.38, G1	2
18	76570	(000000-) Screw, Hex, M08-1.25 X 30, 8.8	1
19	08709	(000000-) Nut, Hex, Lock, M08-1.25,NI	2
20	39277	(000000-) Screw, Hex, M08-1.25x25, 8.8	1
21	39311	(000000-) Nut, Hex, Std, M08-1.25	1

Fig. 20 - Air Cleaner Group

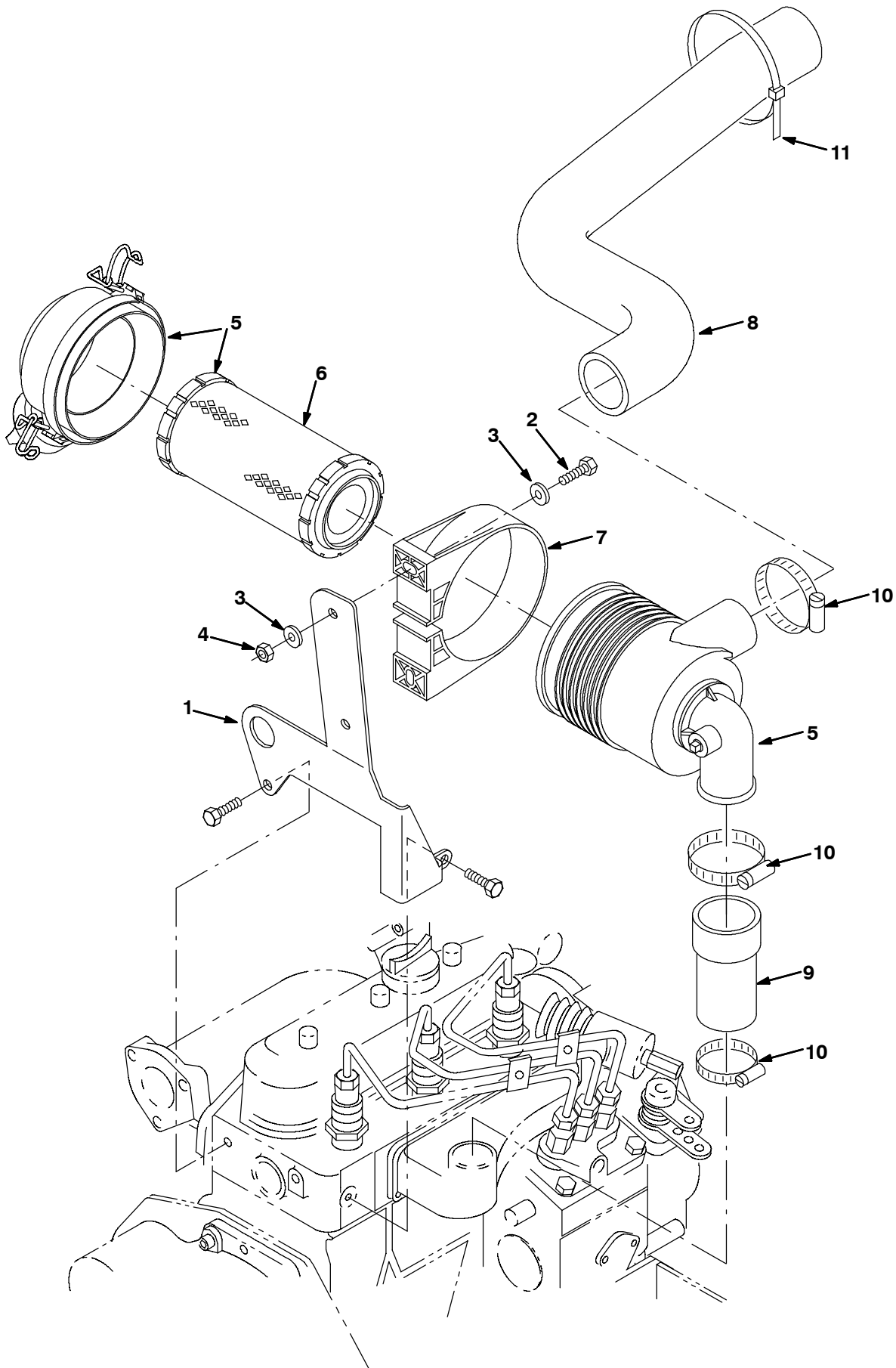


Fig. 20 - Air Cleaner Group

Ref.	Tennant Part No.	Machine Serial Number	Description	Qty.
1	382639	(000000-) Mount, Cleaner, Air, Die	1
2	76570	(000000-) Screw, Hex, M08-1.25 X 30, 8.8	2
3	32492	(000000-) Washer, Flat, .38 Hard	4
4	08709	(000000-) Nut, Hex, Lock, M08-1.25,NI	2
∇ 5	382100	(000000-) Cleaner, Air	1
▲ 6	382493	(000000-) Element, Cleaner, Air	1
7	382101	(000000-) Mount, Cleaner, Air	1
8	382335	(000000-) Hose, Inlet, Air-clnr	1
9	381668	(000000-) Hose, Air-clnr	1
10	22297	(000000-) Clamp, Wormdrive, 1.56-2.50D	3
11	49266	(000000-) Tie, Cable, 7.50 L, 1.75d Max	1

Fig. 21 - Muffler Group

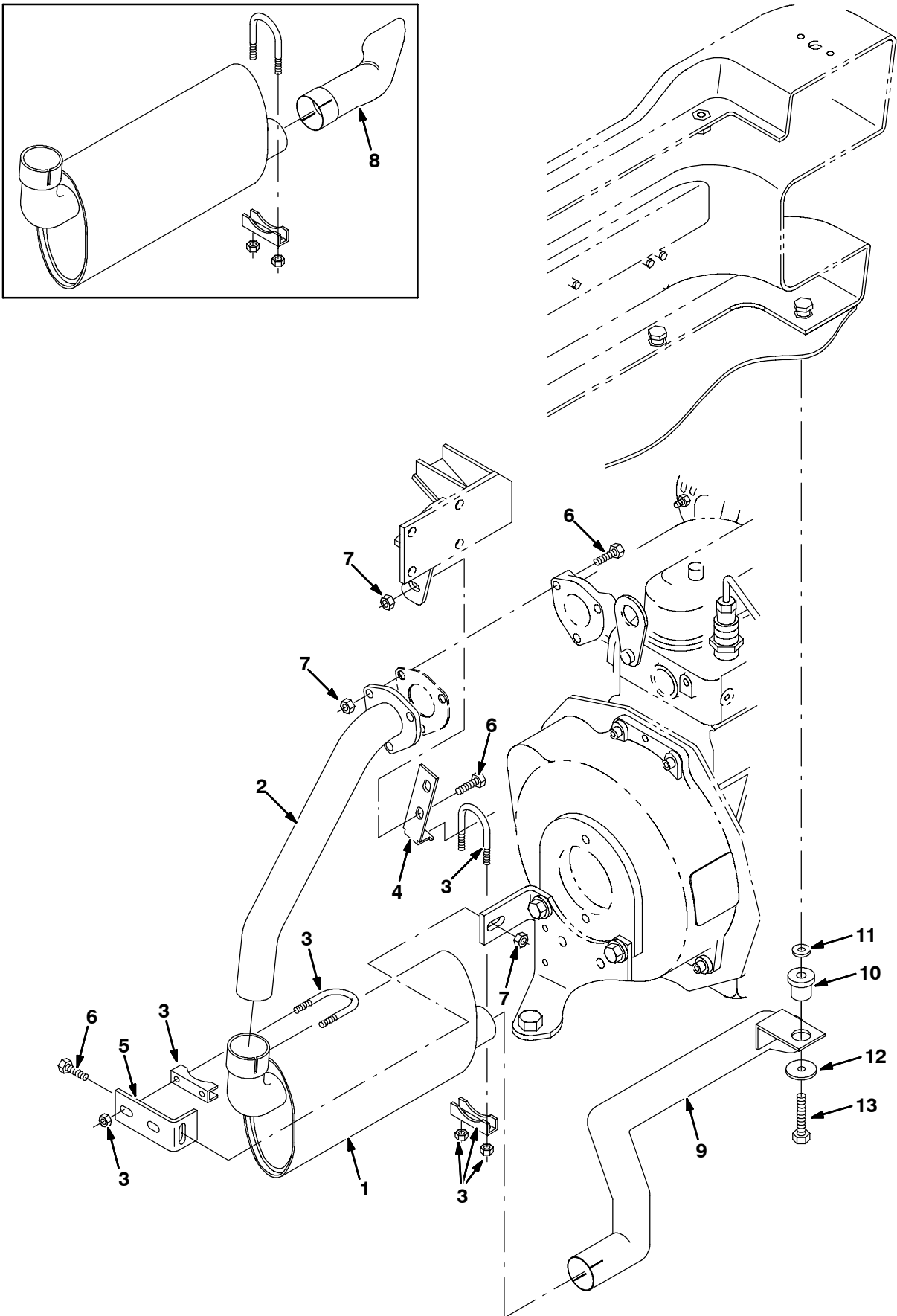


Fig. 21 - Muffler Group

Ref.	Tennant Part No.	Machine Serial Number	Description	Qty.
1	382313	(000000-) Muffler	1
2	382856	(000000-) Pipe, Wldt, Exhaust	1
3	24012	(000000-) Clamp, Tube	2
4	382366	(000000-) Bracket, Hanger, Muffler	1
5	382442	(000000-) Bracket, Muffler	6
6	76570	(000000-) Screw, Hex, M08-1.25 X 30, 8.8	6
7	39311	(000000-) Nut, Hex, Std, M08-1.25	6
8	382538	(000000-001579) Pipe, Tail	1
9	382875	(001580-) Tube, Exhaust, 1.6d 1.6od [Litterhawk]	1
10	54274	(001580-) Isolator, Vib, Bshg, 1.1d 0.6l .4b 0.78h	1
11	39350	(001580-) Washer, Flat, 0.75 Sae	1
12	30013	(001580-) Washer, Flat, 0.31 Fender	1
13	06955	(001580-) Screw, Hex, M8 X 1.25 X 35, 8.8	1

Fig. 22 - Fuel Tank and Fuel Line Group

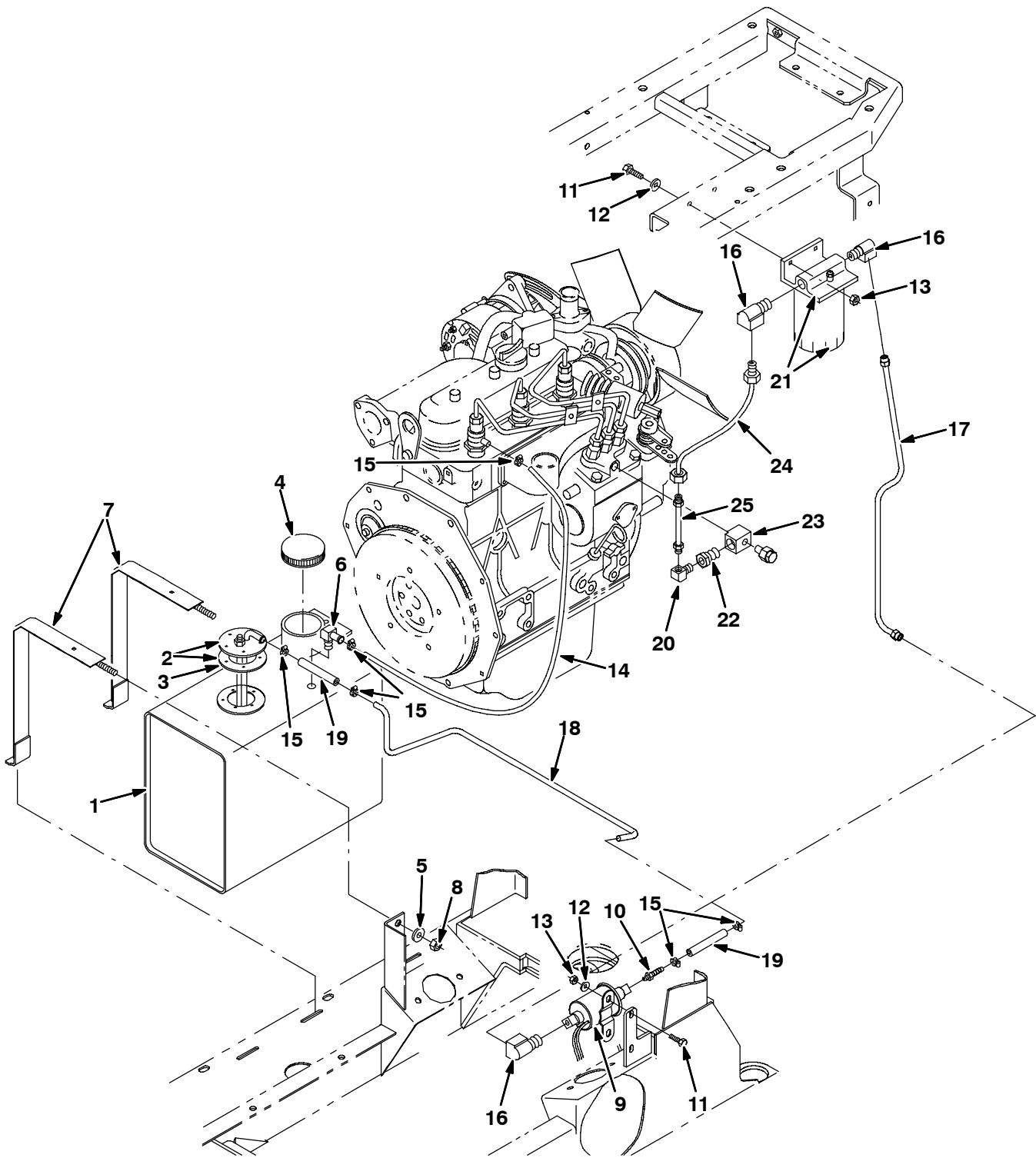


Fig. 22 - Fuel Tank and Fuel Line Group

	Ref.	Tennant Part No.	Machine Serial Number	Description	Qty.
▽	1	381443	(000000-) Tank, Fuel, 4 Gal	1
▲▽	2	382603	(000000-) Send-Unit, Fuel	1
▲▲	3	382613	(000000-) Gasket	1
	4	69899	(000000-) Cap, Fuel W/Chain	1
	5	32485	(000000-) Washer, Flat, .38 Sae	2
	6	32183	(000000-) Fitting, Brass, Elbow	1
	7	381699	(000000-) Strap Wldt, Tank, Fuel	2
	8	50902	(000000-) Nut, Hex, Lock, .38-16, NI	2
	9	59015	(000000-) Pump, Fuel	1
	10	82544	(000000-) Fitting, Brass, Str	1
	11	06943	(000000-) Screw, Hex, M06-1.0 X 20, 8.8	4
	12	32483	(000000-) Washer, Flat, .25 Sae	4
	13	07790	(000000-) Nut, Hex, Flange, M06-1.0	4
	14	382119	(000000-) Hose, Rbr, .188 Id x 37.0L	1
	15	43844	(000000-) Clamp, Wormdrive	6
	16	15555-2	(000000-) Fitting, Brass, Elbow	3
	17	382512	(000000-) Fuelline, Pump to Filter	1
	18	381634	(000000-) Fuelline, Tank to Pump	1
	19	82526	(000000-) Hose, Fuel	2
	20	15555-1	(000000-) Fitting, Brass, Elbow	1
▽	21	1016827	(000000-) Filter Assy, Fuel, Dsl	1
▲		1017126	(000000-) Filter, Fuel, Element	1
	22	24698	(000000-) Fitting, Str	1
	23	360872	(000000-) Fitting, Banjo, Fuel	1
	24	70173	(000000-) Hose, Fuel	1
	25	382266	(000000-) Fuelline, Pipe, Diesel	1

Fig. 23 - Radiator and Hydraulic Cooler Group

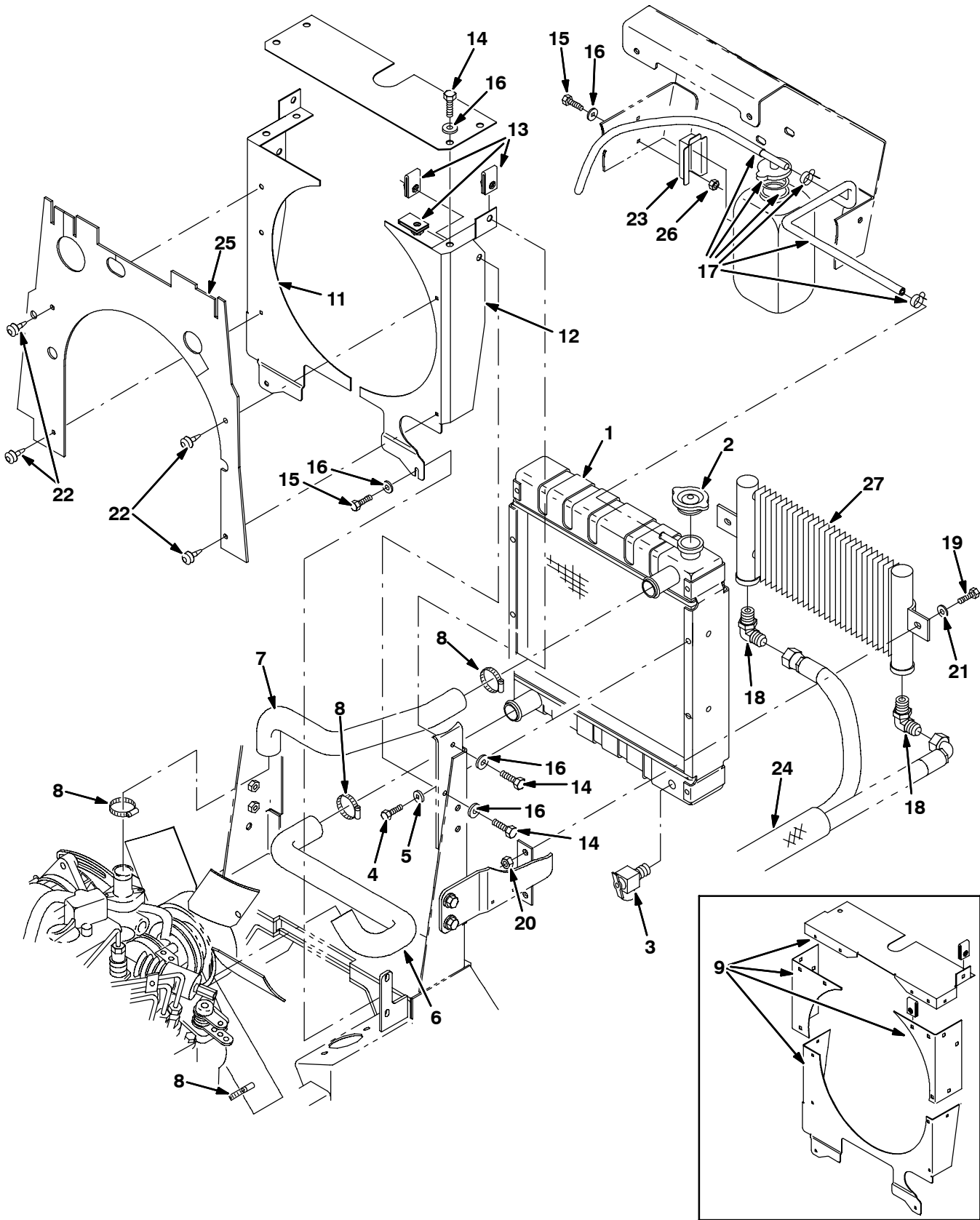


Fig. 23 - Radiator and Hydraulic Cooler Group

Ref.	Tennant Part No.	Machine Serial Number	Description	Qty.
1	381623	(000000-) Radiator	1
2	51321-3	(000000-) Cap, Radiator	1
3	51305	(000000-) Draincock	1
4	54395	(000000-) Screw, Hex, .31-18 X 0.62, G5	4
5	39349	(000000-) Washer, Flat, .31 Sae	4
6	381628	(000000-) Hose, Coolant, Mold	1
7	381630	(000000-) Hose, Coolant, Mold	1
8	11399	(000000-) Clamp, Wormdrive	4
9	382846	(000000-001189) Kit, Shroud, Radiator	1
10	382749	(001190-) Plate, Shroud, Radiator	1
11	382750	(001190-) Shroud, Radiator, Rh	1
12	382751	(001190-) Shroud, Radiator, Lh	1
13	12271	(000000-) Nut, U, M06-1.0	7
14	87308	(000000-) Screw, Hex, M06-1.0 X 12, 8.8	12
15	06943	(000000-) Screw, Hex, M06-1.0 X 20, 8.8	4
16	32490	(000000-) Washer, Flat, .25 Hard	16
17	87972	(000000-) Tank, Recovery, Coolant	1
18	47655	(000000-) Fitting, Hyd, Elbow	2
19	16931	(000000-) Screw, Hex, M08-1.25 X 20, 8.8	2
20	07791	(000000-) Nut, Hex, Flange, M08-1.25	2
21	32491	(000000-) Washer, Flat, .31 Hard	2
22	21168	(000000-) Clip, Pine Tree	4
23	382507	(000000-) Bracket, Overflow	1
24	82831	(000000-) Sleeve	1
25	382845	(000000-) Flap, Air	1
26	08708	(000000-) Nut, Hxlocnyln M6 x 1.0	2
27	381909	(000000-) Cooler, Hydraulic	1

Fig. 24 - Battery Group

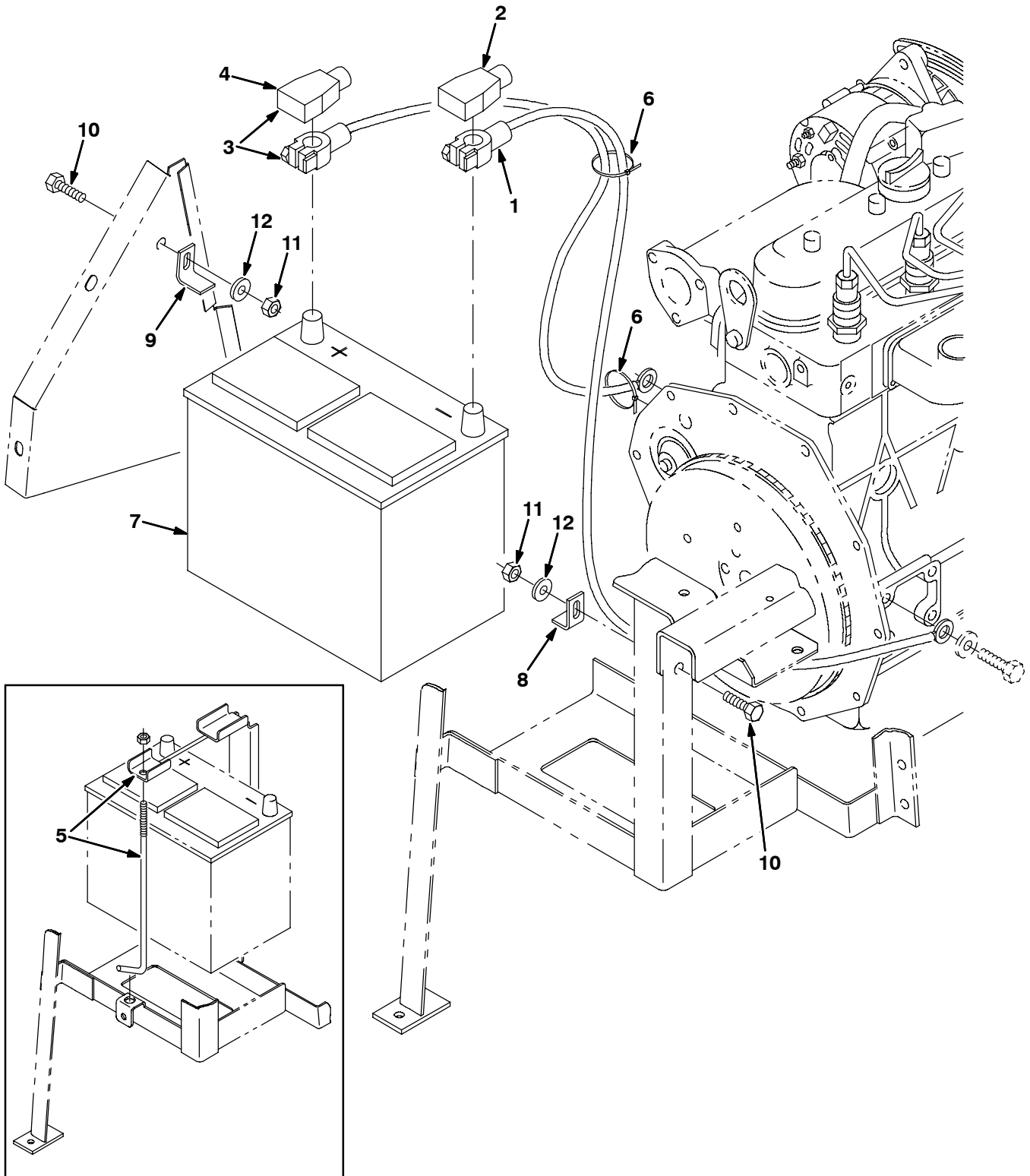


Fig. 24 - Battery Group

Ref.	Tenant Part No.	Machine Serial Number	Description	Qty.
1	82709	(000000-) Cable, Battery, Neg.	1
2	68872	(000000-) Boot	1
▽ 3	382539	(000000-) Cable, Battery, Pos.	1
▲ 4	68873	(000000-) Boot, Pos.	1
5	382681	(000000-001113) Kit, Battery Retainer	1
6	49266	(000000-) Tie, Cable, 7.50L, 1.75d Max	2
7	10143	(000000-) Battery, 12v, Wet	1
8	382662	(001114-) Angle, Battery, Lh	1
9	382665	(001114-) Angle, Battery, Rh	1
10	06944	(001114-) Hex, Screw, M06-1.0x25, 8.8	2
11	08708	(001114-) Nut, Hex, Lock, M06-1.0, NI	2
12	32483	(001114-) Washer, Flat, .25 Sae	2

Fig. 25 - Side Brush Motor Group

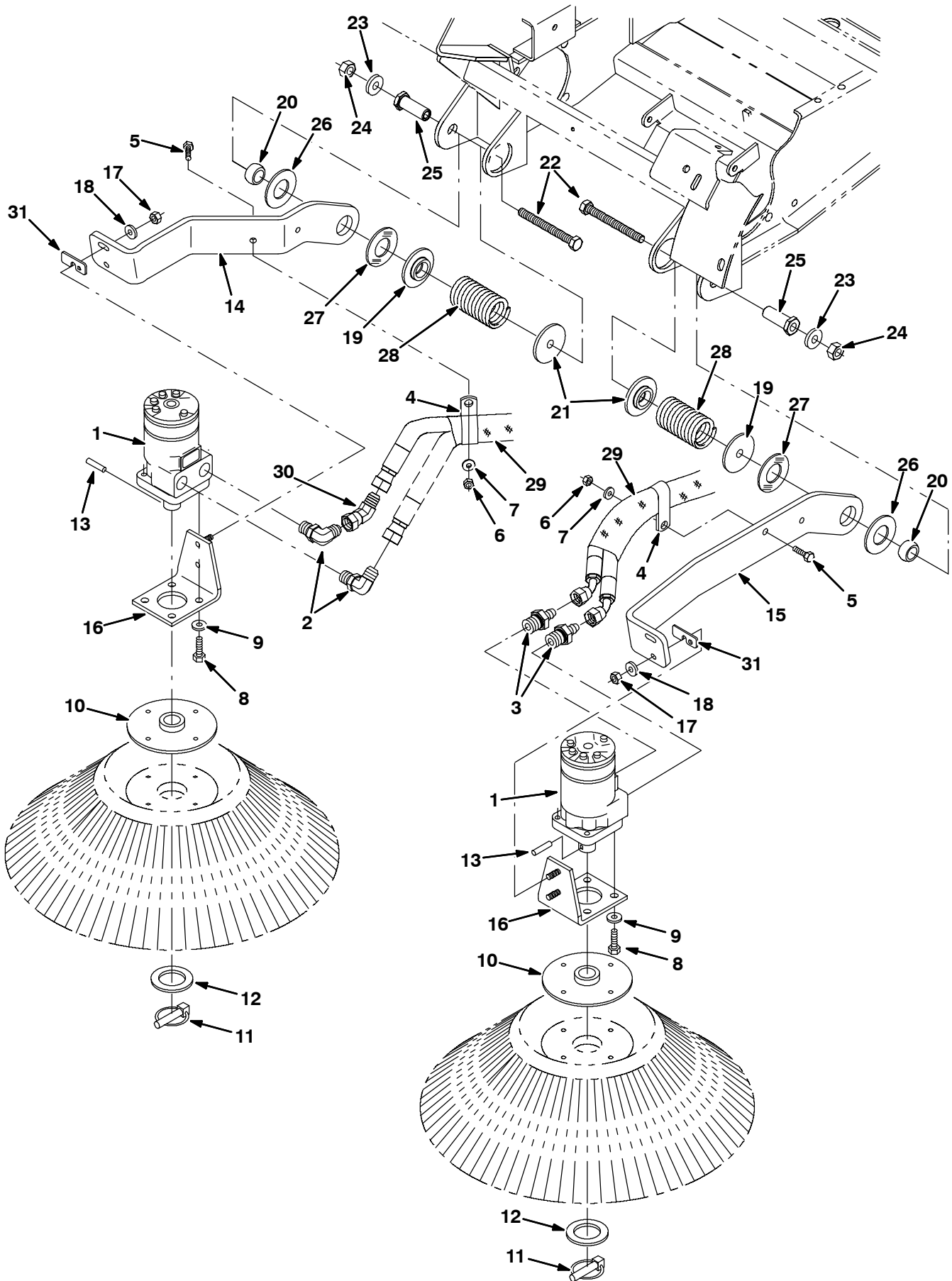


Fig. 25 - Side Brush Motor Group

Ref.	Tennant Part No.	Machine Serial Number	Description	Qty.
1	379607	(000000-) Motor, Hyd (See Breakdowns)	2
2	56821	(000000-) Fitting, Hyd, Elbow	2
3	56692	(000000-) Fitting, Hyd, Str	2
4	67366	(000000-) Clamp, Tube	2
5	16931	(000000-) Screw, Hex, M08-1.25 X 20, 8.8	2
6	08709	(000000-) Nut, Hex, Lock, M08-1.25,NI	2
7	32491	(000000-) Washer, Flat, .31 Hard	2
8	21195	(000000-) Screw, Hex, .38-16 X 0.75, G5	8
9	32492	(000000-) Washer, Flat, .38 Hard	8
10	381447	(000000-) Plate Wldt, Mtg, Side Brush	2
11	381518	(000000-) Pin, Retainer	2
12	381516	(000000-) Plate, Sppt	2
13	23574	(000000-) Pin	2
14	381488	(000000-) Arm, Brush, Side, Rh	1
15	381489	(000000-) Arm, Brush, Side, Lh	1
16	381492	(000000-) Bracket Wldt, Brush, Side	2
17	08709	(000000-) Nut, Hex, Lock, M08-1.25,NI	6
18	32491	(000000-) Washer, Flat, .31 Hard	4
19	381963	(000000-) Guide, Spring	2
20	381508	(000000-) Pivot, Spherical, 1.25Dia	2
21	381519	(000000-) Guide, Spring	2
22	381939	(000000-) Screw, Hex .50-13x5.5 Full Thread	2
23	32493	(000000-) Washer, Flat, .50 Hard	2
24	32985	(000000-) Nut, Hex, Lock, .50-13, NI	2
25	381964	(000000-) Nut, Shoulder	2
26	381517	(000000-) Washer, thrust, 1.25B 2.50D 0.13W, Stl	2
27	382615	(000000-) Kit, Pivot, Side Brush	1
28	381491	(000000-) Spring, Cmpr, 1.94OD .25Wire 5.0L	2
29	50121	(000000-) Sleeving, Nylon, 8"	2
30	07797	(000000-) Fitting, Hyd E45 Jm08/Jf08	1
31	382689	(000000-) Spacer	2

Fig. 26 - Side Brush Lift Group

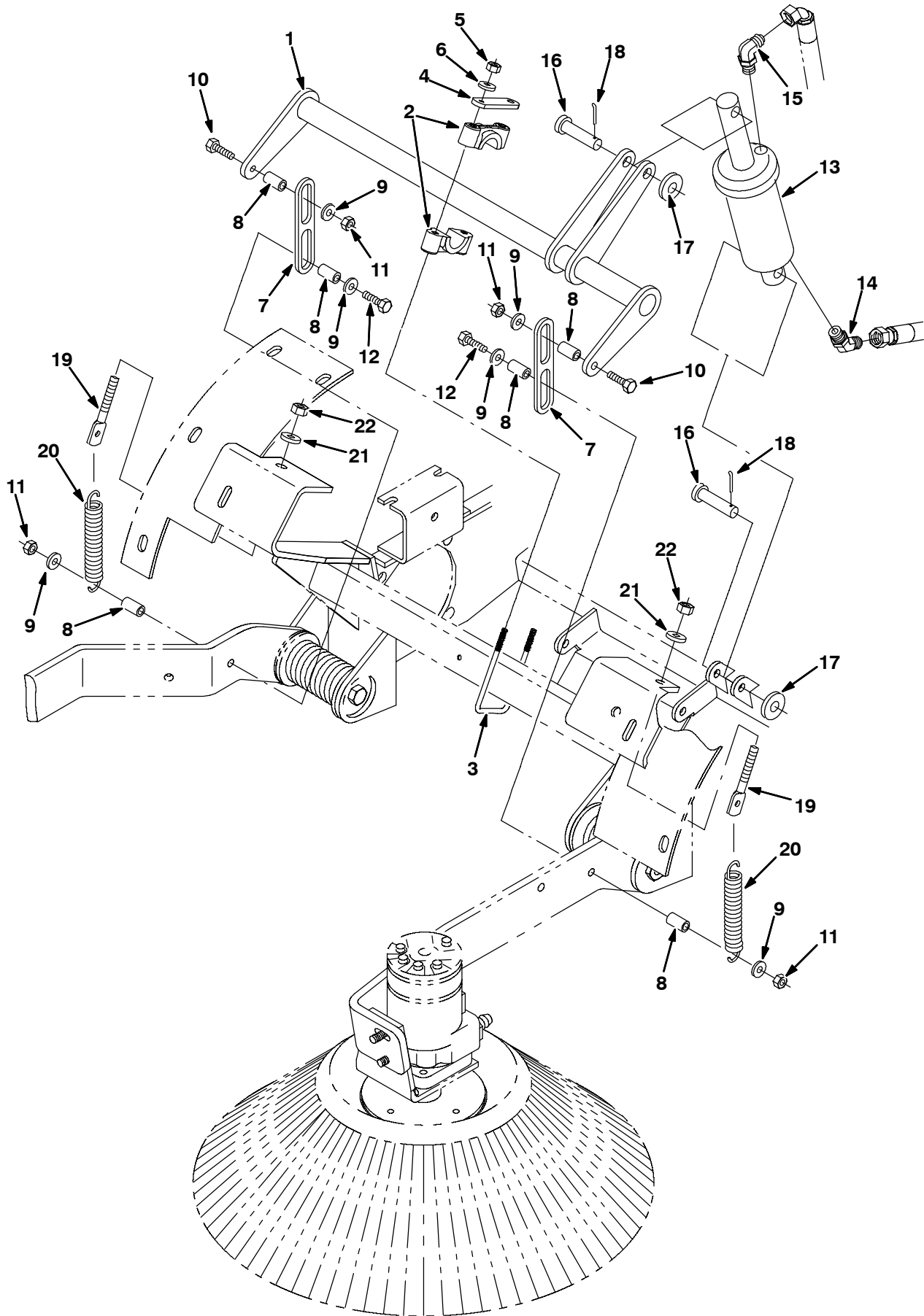


Fig. 26 - Side Brush Lift Group

Ref.	Tenant Part No.	Machine Serial Number	Description	Qty.
1	381498	(000000-) Shaft Wldt, Cross	1
2	381502	(000000-) Bearing, Half, 1.00 Dia	4
3	381948	(000000-) Bolt, U, M6x2.0	2
4	381961	(000000-) Plate, Support	2
5	08708	(000000-) Nut, Hex, Lock, M06-1.0, NI	4
6	32490	(000000-) Washer, Flat, .25 Hard	4
7	381503	(000000-) Link, Coupling	2
8	222496	(000000-) Sleeve	6
9	32491	(000000-) Washer, Flat, .31 Hard	6
10	06955	(000000-) Screw, Hex, M08-1.25 X 35, 8.8	2
11	07791	(000000-) Nut, Hex, Flange, M08-1.25	4
12	06957	(000000-) Screw, Hex, M08-1.25 X 60,8.8	2
13	54096	(000000-) Cylinder, Hyd	1
14	34359	(000000-) Fitting, Hyd, Elbow	1
15	77097	(000000-) Fitting, Hyd, Elbow	1
16	51534	(000000-) Pin, Clevis	2
17	32493	(000000-) Washer, Flat, .50 Hard	2
18	08175	(000000-) Pin, Cotter	2
19	11843	(000000-) Bolt, Eye, .38-16x3.2x .28 Eye	2
20	29499	(000000-) Spring, Tension	2
21	32492	(000000-) Washer, Flat, .38 Hard	2
22	50902	(000000-) Nut, Hex, Lock, .38-16, NI	2

Fig. 27 - Dust Control Water Tank Group

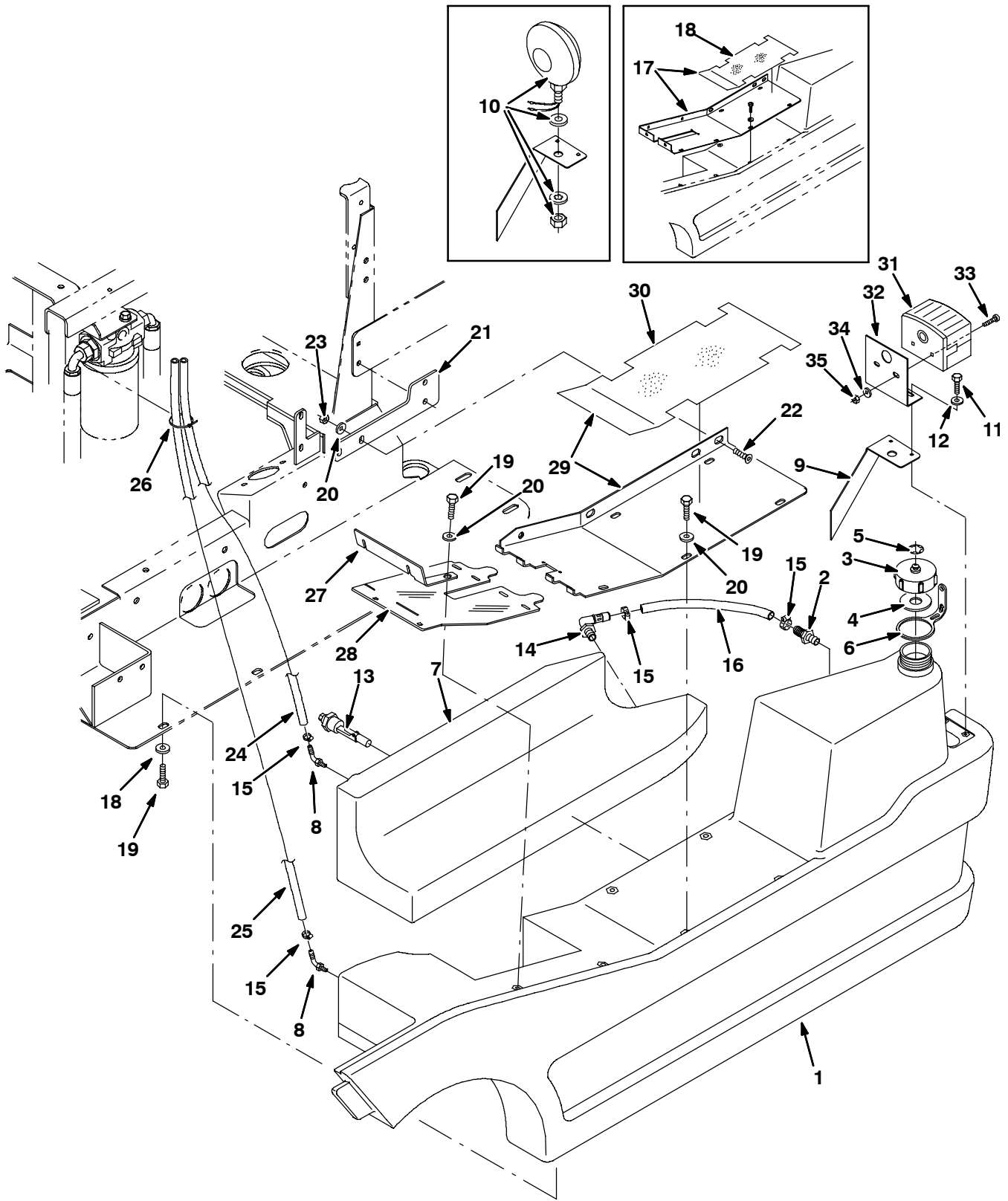


Fig. 27 - Dust Control Water Tank Group

Ref.	Tennant Part No.	Machine Serial Number	Description	Qty.	
1	382390	(000000-) Tank, Water, Outer	1	
2	79273-4	(000000-) Fitting, Plstc, Str	1	
3	32613	(000000-) Cap, Drain	1	
4	32614	(000000-) Gasket	1	
5	32669	(000000-) Ring, Retaining	1	
6	32508	(000000-) Strap	1	
7	382392	(000000-) Tank, Water, Lower	1	
8	57248	(000000-) Fitting, Plstc, Elbow	2	
9	381785	(000000-) Bracket, Mtg, Lamp, Tail	1	
▽	10	382547	(000000-001579) Lamp Assembly	1	
▲		45780	(000000-001579) Bulb, 12V .5A	1	
▲		393664	(000000-001579) Lens, Red	1	
	11	06942	(000000-) Screw, Hex, M06-1.0 X 16, 8.8	2
	12	19066	(000000-) Washer, Flat, #10	2
	13	382410	(000000-) Switch, Level, Water	1
	14	63244-1	(000000-) Fitting, Plstc, Elbow	1
	15	43844	(000000-) Clamp, Wormdrive	4
	16	29601	(000000-) Hose, Vinyl	1
▽	17	382591	(000000-001195) Panel Wldt, Floor Lh w/Tread	1	
▲	18	382414	(000000-001195) Tread	1	
	19	16931	(000000-) Screw, Hex, M08-1.25 X 20, 8.8	10
	20	32491	(000000-) Washer, Flat, .31 Hard	12
	21	382515	(000000-) Bracket, Tank	1
	22	32129	(000000-) Scr Flt M8x1.25 20	2
	23	08709	(000000-) Nut, Hex, Lock, M08-1.25,NI	2
	24	382601	(000000-) Hose, Vinyl Brd	1
	25	382602	(000000-) Hose, Vinyl Brd	1
	26	49266	(000000-) Tie, Cable, 7.50 L, 1.75d Max	1
	27	382859	(001196-) Retainer, Flap	1
	28	382798	(001196-) Flap, Access	1
▽	29	382855	(001196-) Panel Wldt, Floor, W/Tread, Lh	1
▲	30	382414	(001196-) Panel, Floor, Mat, Lh	1
▽	31	90602	(001580-) Taillight, 12vdc, 3.3 X 3.7 Lh	1
▲		90604	(001580-) Lamp, 12vdc, . A 10watt Cp [Ba15s]	1
▲		90605	(001580-) Lamp, 12vdc, . A 21watt Cp [#Ba15s]	2
	32	382874	(001580-) Bracket, Light, Rear	1
	33	06933	(001580-) Screw, Pan, M5 X 0.8 X 16, 4.8	2
	34	19066	(001580-) Washer, Flat, #10	2
	35	06549	(001580-) Nut, Hex, Lock, M5 X 0.8, NI	2

Fig. 28 - Dust Control Water Pump Group

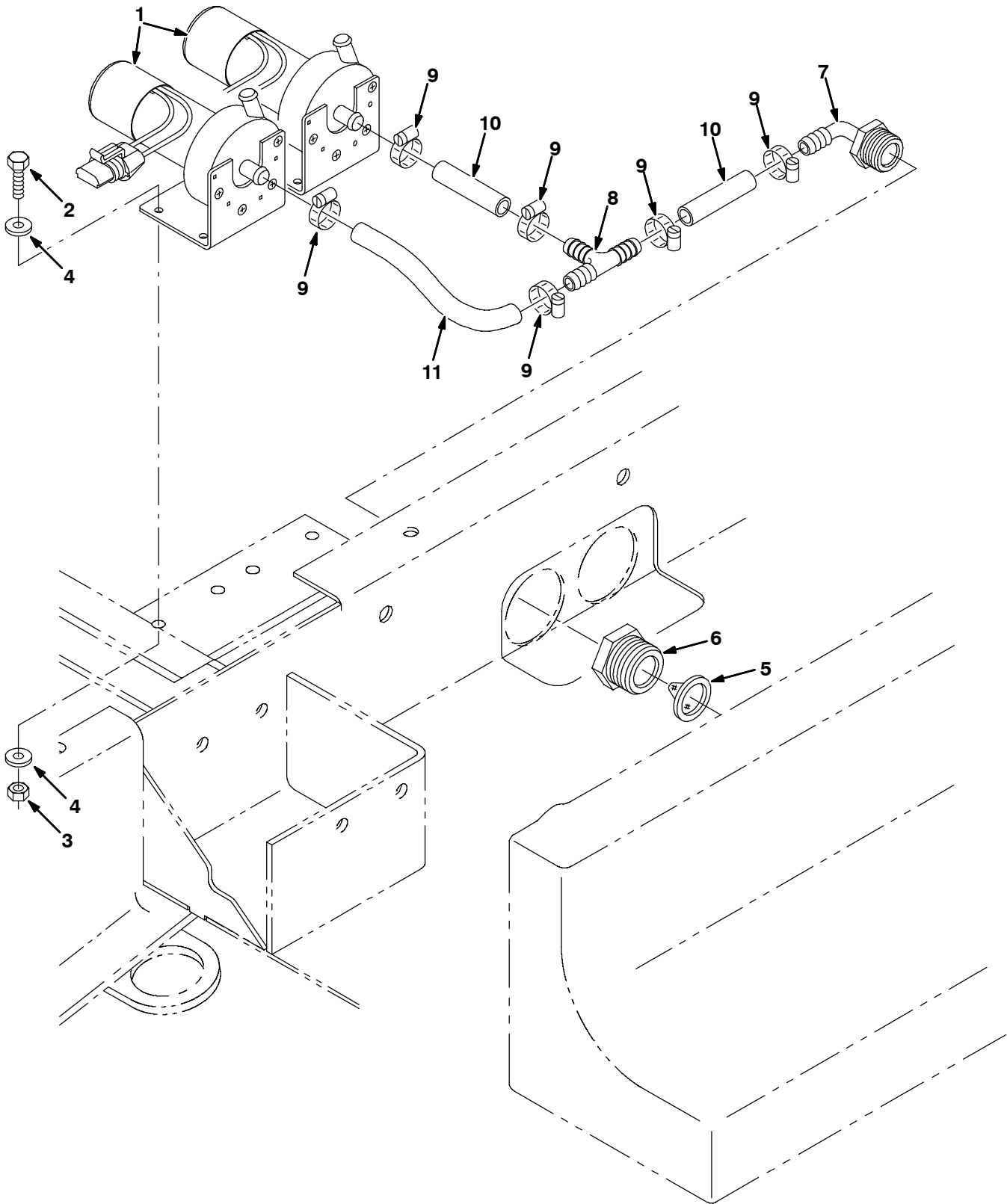


Fig. 28 - Dust Control Water Pump Group

Ref.	Tenant Part No.	Machine Serial Number	Description	Qty.
1	382138	(000000-) Pump, Water, 0.5 Gpm, 12V	2
2	24199	(000000-) Screw, Hex, M05-0.8 X 16, Ss	4
3	07784	(000000-) Nut, Hex, M05-0.8, Ss	4
4	01683	(000000-) Washer, Flat, #10 Ss	8
5	382298	(000000-) Strainer, Sprayer	1
6	382299	(000000-) Fitting, Plstc, Reducer 16Pm x 8Pf	1
7	03394	(000000-) Fitting, Plstc, Elbow	1
8	87173	(000000-) Fitting, Plstc	1
9	43844	(000000-) Clamp, Wormdrive	6
10	382550	(000000-) Hose, Vinyl Brd	2
11	382548	(000000-) Hose, Vinyl Brd	1

Fig. 29 - Dust Control Water Nozzle Group

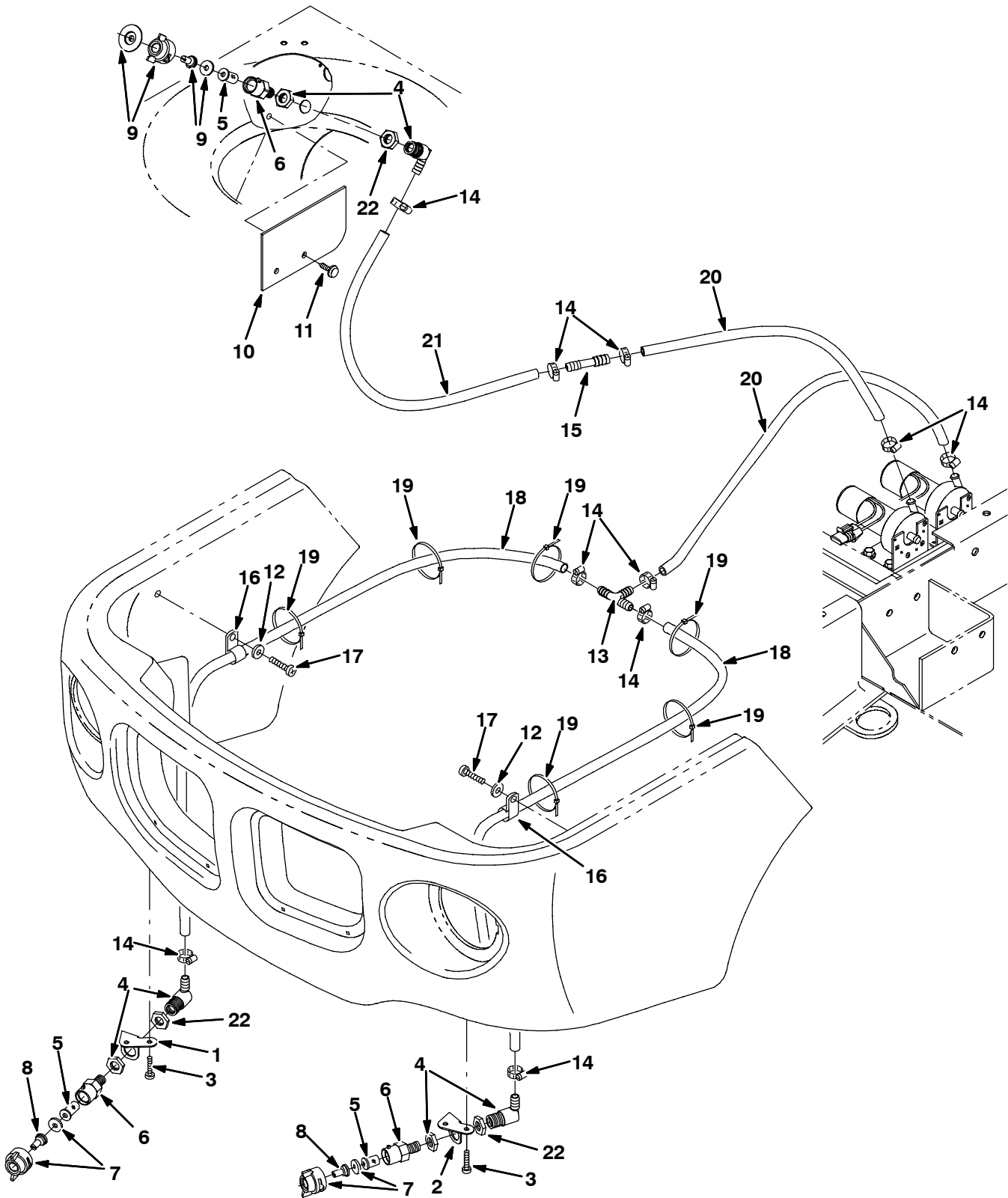


Fig. 29 - Dust Control Water Nozzle Group

Ref.	Tennant Part No.	Machine Serial Number	Description	Qty.
1	382441	(000000-) Bracket, Mtg, Nozzle, Rh	1
2	382443	(000000-) Bracket, Mtg, Nozzle, Lh	1
3	382931	(000000-) Screw, Hex .25 X 0.75, Tcut	4
4	382423	(000000-) Mount, Nozzle	3
5	382433	(000000-) Strainer, Fluid	3
6	382425	(000000-) Housing, Nozzle	3
7	382426	(000000-) Cap, Nozzle	2
8	382427	(000000-) Nozzle, Spray, 0.07 Gpm	2
9	382517	(000000-) Nozzle Assy, Spray	1
10	382543	(000000-) Flap, Deflector	1
11	21168	(000000-) Rivet, Plstc	2
12	19066	(000000-) Washer, Flat 10	3
13	382454	(000000-) Ftg, Plstc, Tee	1
14	43844	(000000-) Clamp, Hose, Wormdrive, 0.25-0.62D	10
15	222375	(000000-) Fitting, Plstc, Str	1
16	67767	(000000-) Clamp, Cable	3
17	360973	(000000-) Screw, Pan, #12- X 0.50,	3
18	382745	(000000-) Hose, Vinyl Brd	2
19	44961	(000000-) Tie, Cable	6
20	382452	(000000-) Hose, Vinyl Brd	2
21	382449	(000000-) Hose, Vinyl Brd	1
22	382446	(000000-) Nut, Hex, Jam, .69-16, Thin	3

Fig. 30 - Vacuum Fan and Housing Group

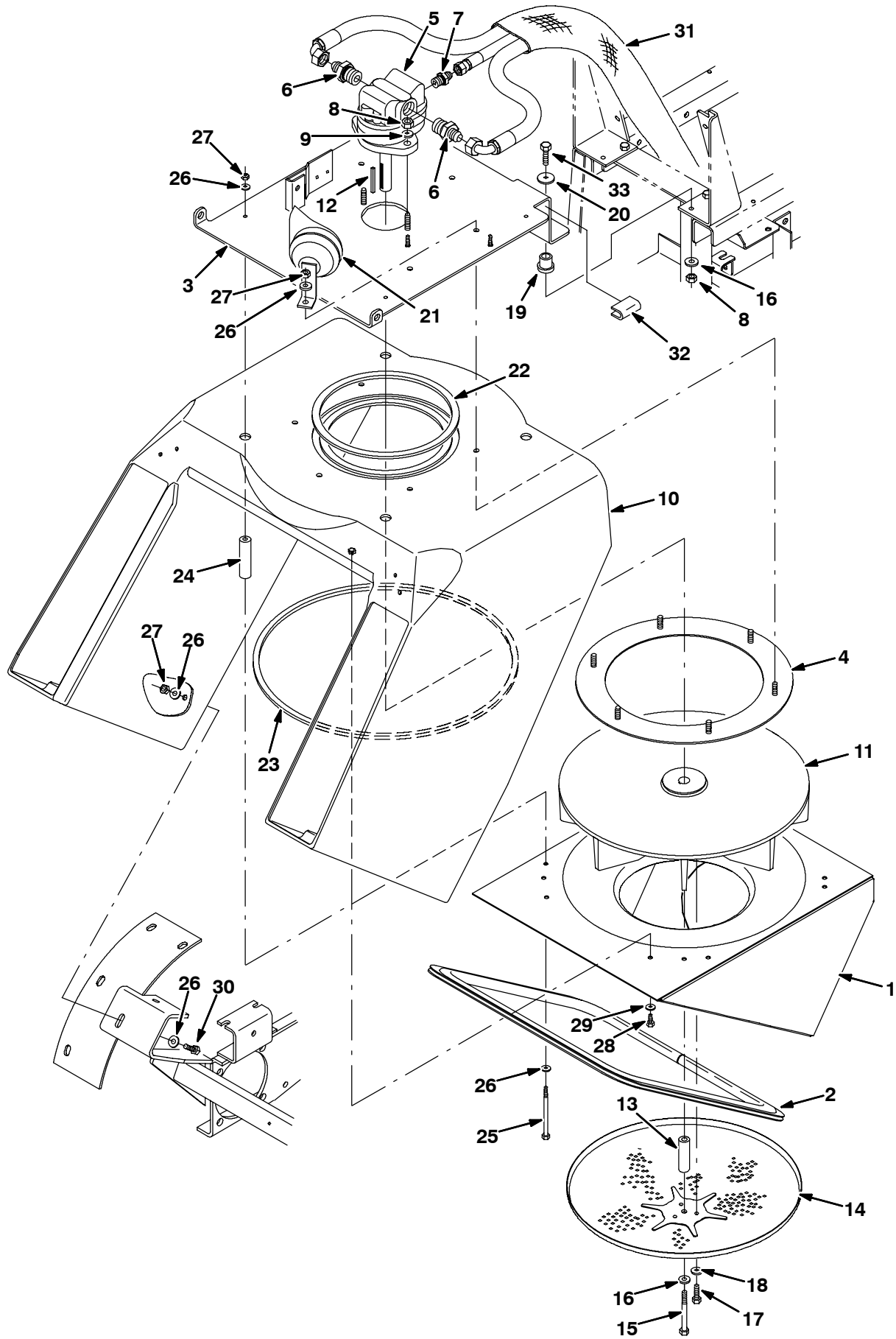


Fig. 30 - Vacuum Fan and Housing Group

Ref.	Tennant Part No.	Machine Serial Number	Description	Qty.
1	381479	(000000-001195)	Box Wldt, Plenum	1
1	382743	(001196-	Box Wldt, Plenum	1
2	84039	(000000-	Seal, Bulb	1
3	382619	(000000-001212)	Plate Wldt, Support w/Label	1
3	382738	(001213-	Plate Wldt, Support w/Label	1
4	381971	(000000-	Plate Wldt, Support	1
5	381843	(000000-	Motor, Hyd Gear Ex 0.40 L (See Breakdown)	1
6	42227	(000000-	Fitting, Hyd, Str	2
7	55685	(000000-	Fitting, Hyd, Str	1
8	08709	(000000-	Nut, Hex, Lock, M08-1.25,NI	4
9	32492	(000000-	Washer, Flat, .38 Hard	2
10	381475	(000000-	Housing, Fan	1
11	367156	(000000-	Impeller	1
12	00919	(000000-	Key, Square	1
13	381956	(000000-	Sleeve, Spacer	1
14	382782	(000000-	Screen, Vacuum Fan, 40% Open, [HAWK]	1
15	09767	(000000-	Screw, Hex, M08-1.25 X 70, Ss	1
16	32491	(000000-	Washer, Flat, .31 Hard	3
17	12277	(000000-	Screw, Hex, M06-1.0 X 20, Ss	3
18	25664	(000000-	Washer	3
19	54274	(000000-	Isolator, Vibration	2
20	39350	(000000-	Washer, Flat, .75 Sae	2
21	369704	(000000-	Horn, 12V	1
22	382540	(000000-	Seal	1
23	382541	(000000-	Seal	1
24	381525	(000000-	Sleeve	4
25	06959	(000000-	Screw, Hex, M8 x 1.25 100	4
26	32491	(000000-	Washer, Flat .31 Hard	18
27	08709	(000000-	Nut Hexlocnyln M8 x 1.25	12
28	06943	(000000-	Screw, Hex M6 x 1.0 20	4
29	32483	(000000-	Washer, Flat .25	4
30	76570	(000000-	Screw, Hex, M8 x 1.25 30	2
31	13773	(000000-	Sleeve	1
32	03433	(000000-	Molding, Trim, .08-.11 01.75	2
33	39277	(000000-	Screw, Hex, M08 X 1.25 X 25, 8.8	2

Fig. 31 - Vacuum Filter Group

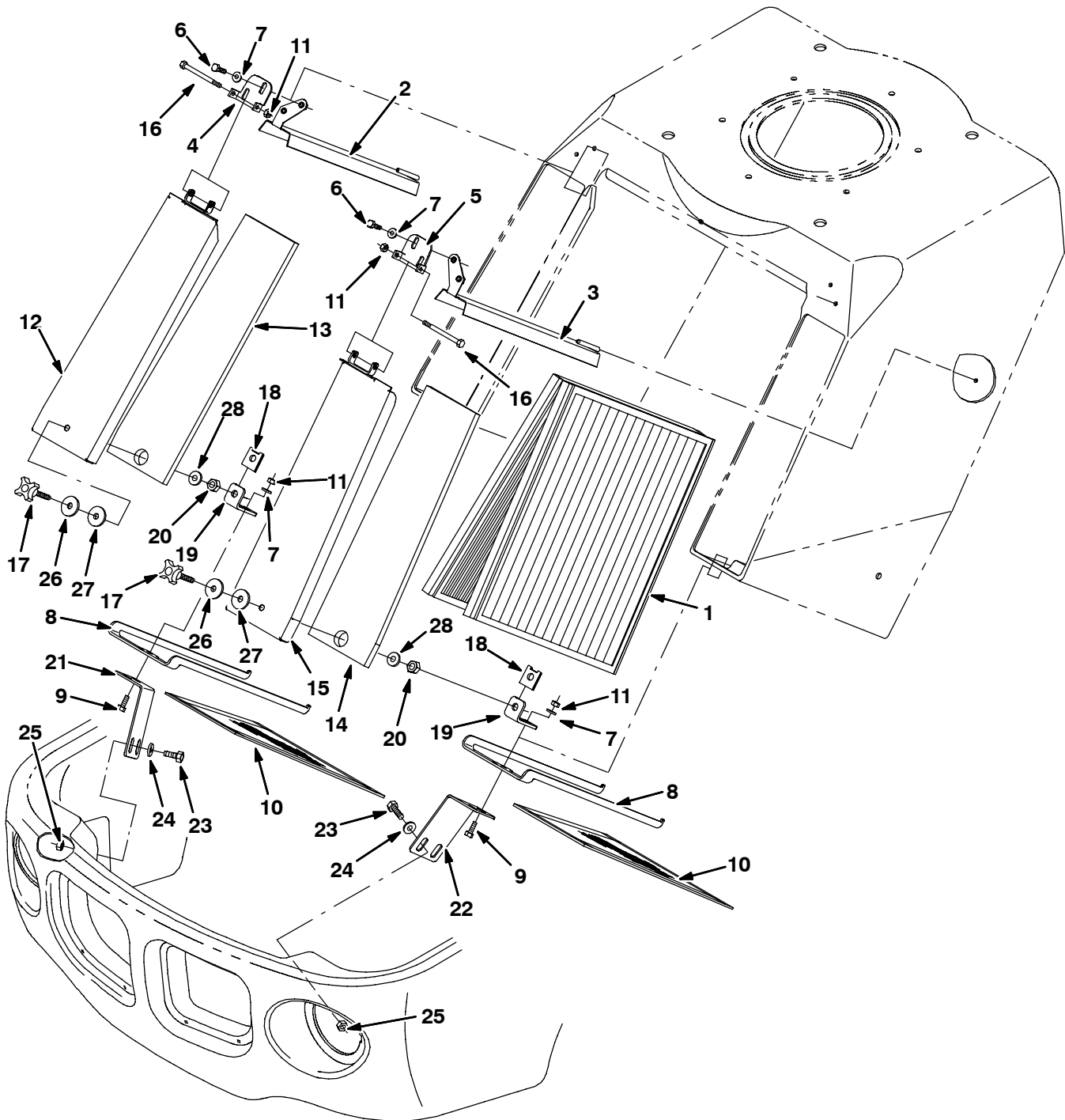


Fig. 31 - Vacuum Filter Group

Ref.	Tennant Part No.	Machine Serial Number	Description	Qty.
382434 1	382635	(000000-) Filter, Panel	2
2	381486	(000000-) Channel Wldt, Filter, Rh	1
3	381969	(000000-) Channel Wldt, Filter, Lh	1
4	382406	(000000-) Bracket, Cover, Rh	1
5	382407	(000000-) Bracket, Cover, Lh	1
6	06942	(000000-) Screw, Hex, M06-1.0 X 16, 8.8	4
7	32490	(000000-) Washer, Flat, .25 Hard	4
8	381980	(000000-) Hook, Deflector	2
9	06943	(000000-) Screw, Hex, M06-1.0 X 20, 8.8	4
10	381983	(000000-) Screen, Diffuser	2
11	08708	(000000-) Nut, Hex, Lock, M06-1.0, NI	4
12	382400	(000000-) Cover, Wldt, Filter, Rh	1
13	381984	(000000-) Seal, Foam Rbr, Rh	1
14	381985	(000000-) Seal, Foam Rbr, Lh	1
15	382399	(000000-) Cover Wldt, Filter, Lh	1
16	06950	(000000-) Screw, Hex, M06x1.0 70	2
17	382479	(000000-) Knob, .312-18 1.62L	2
18	02485	(000000-) Nut, Speed, Retainer, .31-18	2
19	382480	(000000-) Bracket, Latch	2
20	01760	(000000-) Nut, Hex, Lock .31-18, 18	2
21	381973	(000000-) Bracket, Support, Rh	1
22	381974	(000000-) Bracket, Support, Lh	1
23	16931	(000000-) Screw, Hex, M08-1.25 X 20, 8.8	4
24	32491	(000000-) Washer, Flat, .31 Hard	12
25	08709	(000000-) Nut, Hex, Lock, M08-1.25,NI	4
26	30013	(000000-) Washer, Flat, 0.31 Fender	2
27	222268	(000000-) Washer, 0.38B 1.25D .12, Neo	2
28	32490	(000000-) Washer, Flat, 0.25 Std	2

Fig. 32 - Hopper and Lift Arms Group

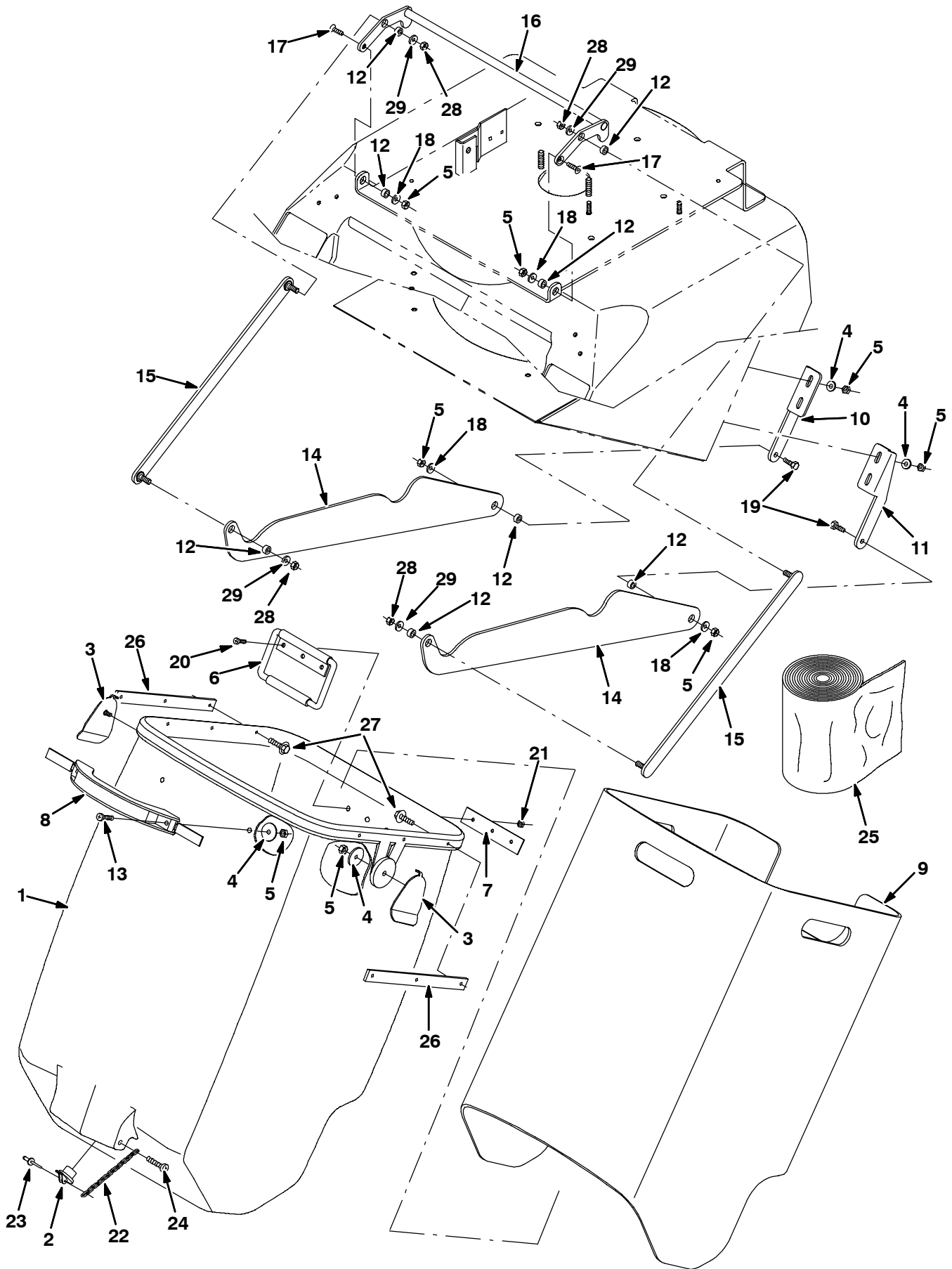


Fig. 32 - Hopper and Lift Arms Group

Ref.	Tennant Part No.	Machine Serial Number	Description	Qty.
1	381496	(000000-) Hopper	1
2	01495	(000000-) Plug, Expandable	1
3	381893	(000000-) Retainer, Canister	2
4	41178	(000000-) Washer, Flat, .25 Fender	4
5	08708	(000000-) Nut, Hex, Lock, M06-1.0, NI	12
6	381981	(000000-) Handle, Container, Rear	1
7	381982	(000000-) Plate, Backing, Handle	1
8	381962	(000000-) Handle, Container	1
9	381897	(000000-) Liner, Bag	1
10	381789	(000000-) Bracket, Hinge, Rh	1
11	381821	(000000-) Bracket, Hinge, Lh	1
12	360801	(000000-) Sleeve	8
13	09145	(000000-) Screw, Pan, M06-1.0 X 16, 4.8	2
14	381941	(000000-) Guide, Container	2
15	381940	(000000-) Link, Lift	2
16	381957	(000000-) Handle, Latch	1
17	09062	(000000-) Screw, Flat, M06-1.0 X 16,10.9	2
18	32483	(000000-) Washer, Flat, .25 Sae	4
19	06943	(000000-) Screw, Hex, M06-1.0 X 20, 8.8	2
20	06933	(000000-) Screw, Pan, M05-0.8 X 16, 4.8	3
21	06549	(000000-) Nut, Hex, Lock, M05-0.8, NI	3
22	06121	(000000-) Chain, Sash	1
23	34738	(000000-) Rivet, Pop	1
24	360973	(000000-) Screw, Pan #12 x .50	1
∇	381978	(000000-) Bag, Plastic, Six Roll, 90 Bags	1
▲	25 382391	(000000-) Bag, Poly, Roll (15Ct)	6
	26 382606	(000000-) Plate, Support, Hopper	2
	27 222158	(000000-) Screw, Hxfmg M6x10 10 Pltd	6
	28 08709	(000000-) Nut, Hex, Lock, M08-1.25	4
	29 32491	(000000-) Washer, Flat, .31 Hard	4

Fig. 33 - Vacuum Head Group

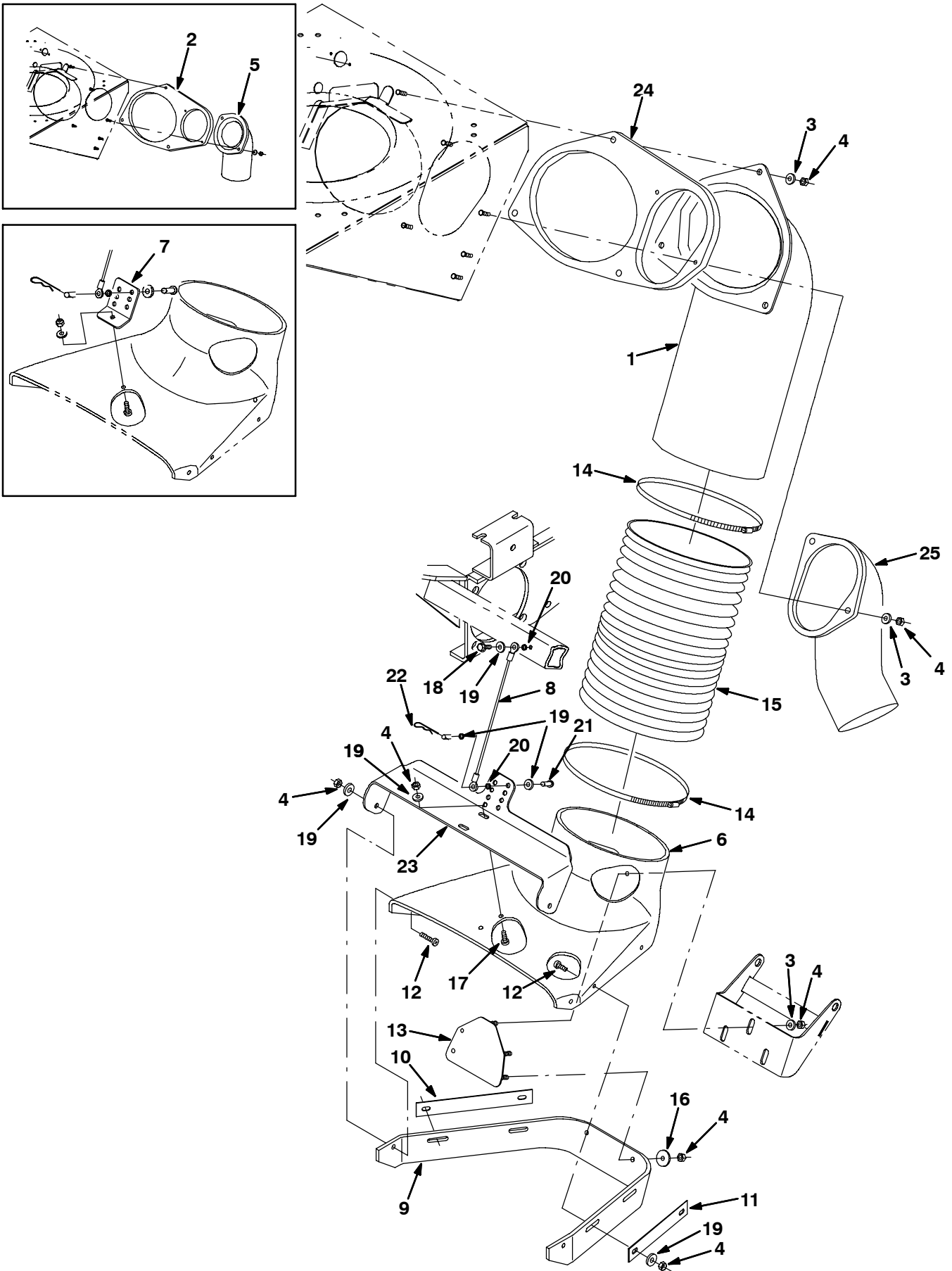


Fig. 33 - Vacuum Head Group

Ref.	Tennant Part No.	Machine Serial Number	Description	Qty.
1	381958	(000000-) Tube, Vacuum, Oval	1
2	382528	(000000-001195) Gasket, Inlet, Vacuum	1
3	32490	(000000-) Washer, Flat, .25 Hard	8
4	08708	(000000-) Nut, Hex, Lock, M06-1.0, NI	21
5	381895	(000000-001195) Coupling, Hose	1
6	381959	(000000-) Shroud, Inlet, Vacuum, Oval	1
7	382723	(000000-001076) Kit, Bracket, Support	1
8	1002192	(000000-) Cable, .125D, 06.0L, .375Eye /.375Eye	1
9	382700	(000000-) Skirt	1
10	382725	(000000-) Retainer, Skirt, Rh	1
11	382724	(000000-) Retainer, Skirt, Lh	1
12	09164	(000000-) Screw, Pan, M06-1.0 X 20, 4.8	6
13	381976	(000000-) Plate Wldt, Support, Inlet	1
14	381952	(000000-) Clamp, Offset, 6.0Dia	2
15	381446	(000000-) Hose, Flex	1
16	41178	(000000-) Washer, Flat, .25 Fender	2
17	382726	(000000-) Screw, Pan, M06-1.0x25, 4.8	2
18	06943	(000000-) Screw, Hex M6 x 1.0	1
19	32483	(000000-) Washer, Flat, .25	9
20	80491	(000000-) Sleeve	2
21	28296	(000000-) Pin, Clevis	1
22	08085	(000000-) Pin, Hair Cotter	1
23	382718	(001077-) Bracket, Support	1
24	382742	(001196-) Gasket, Inlet, Vacuum	1
25	382732	(001196-) Coupling, Hose	1

Fig. 34 - Vacuum Head Lift Group

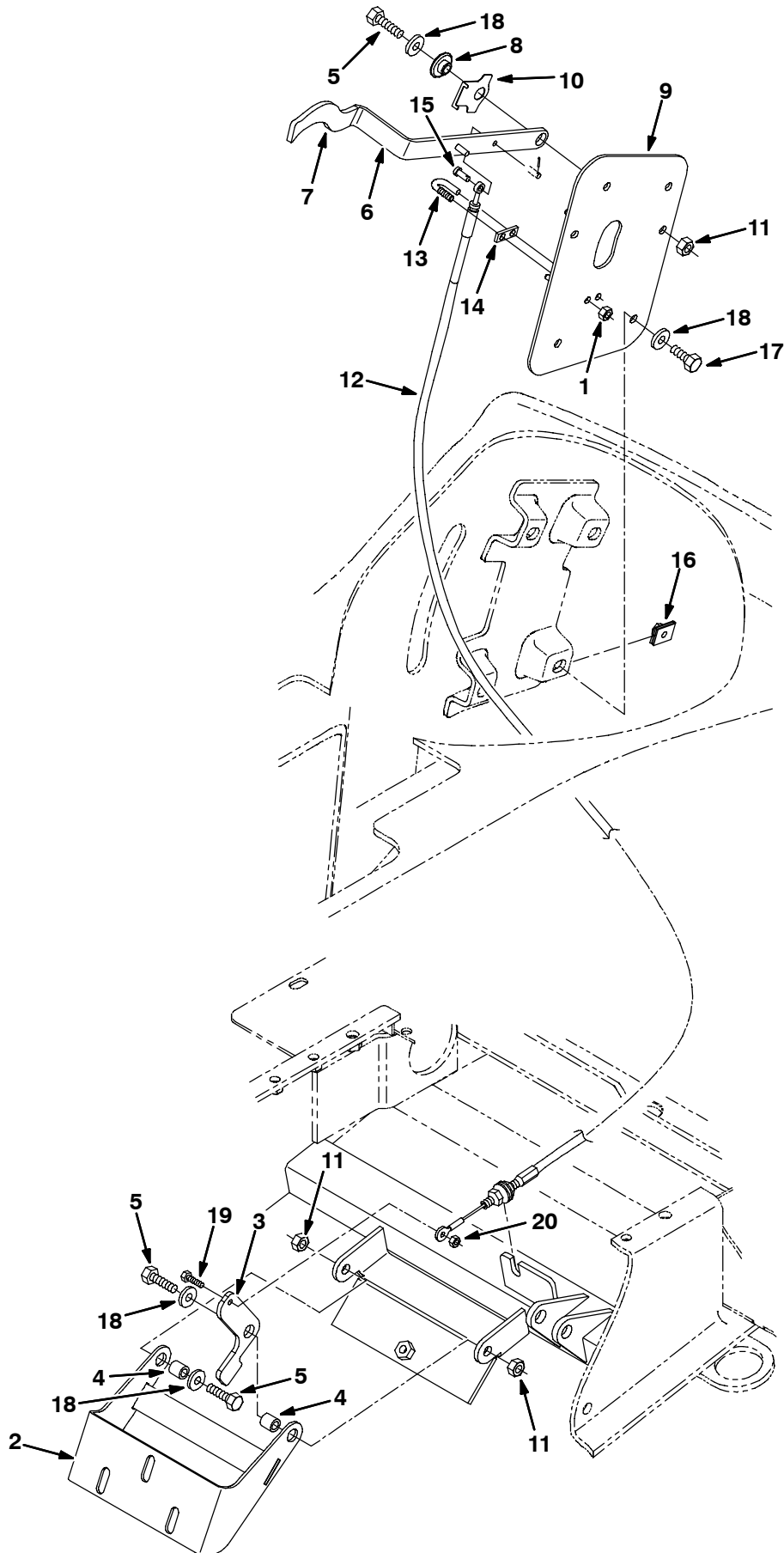


Fig. 34 - Vacuum Head Lift Group

Ref.	Tennant Part No.	Machine Serial Number	Description	Qty.
1	08708	(000000-) Nut, Hex, Lock, M06-1.0, NI	1
2	381480	(000000-) Bracket Wldt, Lift, Vacuum Inlet	1
3	1022499	(000000-) Bracket, Lift	1
4	222460	(000000-) Sleeve	2
5	76570	(000000-) Screw, Hex, M08-1.25 X 30, 8.8	3
6	381942	(000000-) Handle, Lift	1
7	80979	(000000-) Grip, Vinyl	1
8	80950	(000000-) Bushing, Flanged	1
9	382073	(000000-) Plate Wldt, Mtg	1
10	80480	(000000-) Spring, Detent	1
11	08709	(000000-) Nut, Hex, Lock, M08-1.25,NI	1
1019123	12 80192	(000000-) Cable, Pull	1
13	80425	(000000-) Bolt	1
14	80429	(000000-) Support, Cable	1
15	36376	(000000-) Pin, Clevis	1
16	58595	(000000-) Nut, U, M08-1.25	4
17	16931	(000000-) Screw, Hex, M08-1.25 X 20, 8.8	3
18	32491	(000000-) Washer, Flat, .31 Hard	6
19	09244	(000000-) Screw, Hex, M05-0.8 X 16, 8.8	1
20	06549	(000000-) Nut, Hex, Lock, M05-0.8, NI	1

Fig. 35 - Air Flow Damper Group

Ref.	Tennant Part No.	Machine Serial Number	Description	Qty.
1	381972	(000000-) Damper Wldt, Flow	1
2	381531	(000000-) Bushing, Flange .75B .81D .75L, Nyl	2
3	39279	(000000-) Screw, Hex, M08x1.25 X 50	1
4	32491	(000000-) Washer, Flat, .31 Hard	2
5	08709	(000000-) Nut, Hex, Lock, M08-1.0, Ni	2
6	382533	(000000-) Plate, Damper	1
∇	382607	(000000-) Kit, Repair, Damper Shaft	1
▲	7 382534	(000000-) Washer, .594ID x 1.00D x .06th	1
▲	8 381528	(000000-) Shaft, Damper	1
9	382535	(000000-) Spacer, Sleeve	1
10	382521	(000000-) Link, Damper	1
11	382519	(000000-) Arm, Handle	1
12	382544	(000000-) Arm Wldt, Damper	1
13	16931	(000000-) Screw, Hex, M08-1.25 X 20, 8.8	1
14	360801	(000000-) Sleeve	1
15	32491	(000000-) Washer, Flat, .31 Hard	2
16	08709	(000000-) Nut, Hex, Lock, M08-1.25,NI	2
17	75575	(000000-) Spring, Tension	1
18	223198	(000000-) Screw, Hex	2
19	32716	(000000-) Nut, Hex Jam M10-1.5 Ss	2
20	382518	(000000-) Handle, Control, Damper	1
21	367679	(000000-) Switch, Thermostat	1
22	32483	(000000-) Washer, Flat, .25	1
23	222516	(000000-) Sleeve, P/m, 0.496D 0.31L 430Ss	1
24	39277	(000000-) Screw, Hex, M08X1.25X25, 8.8	1

Fig. 36 - Vacuum Wand Group

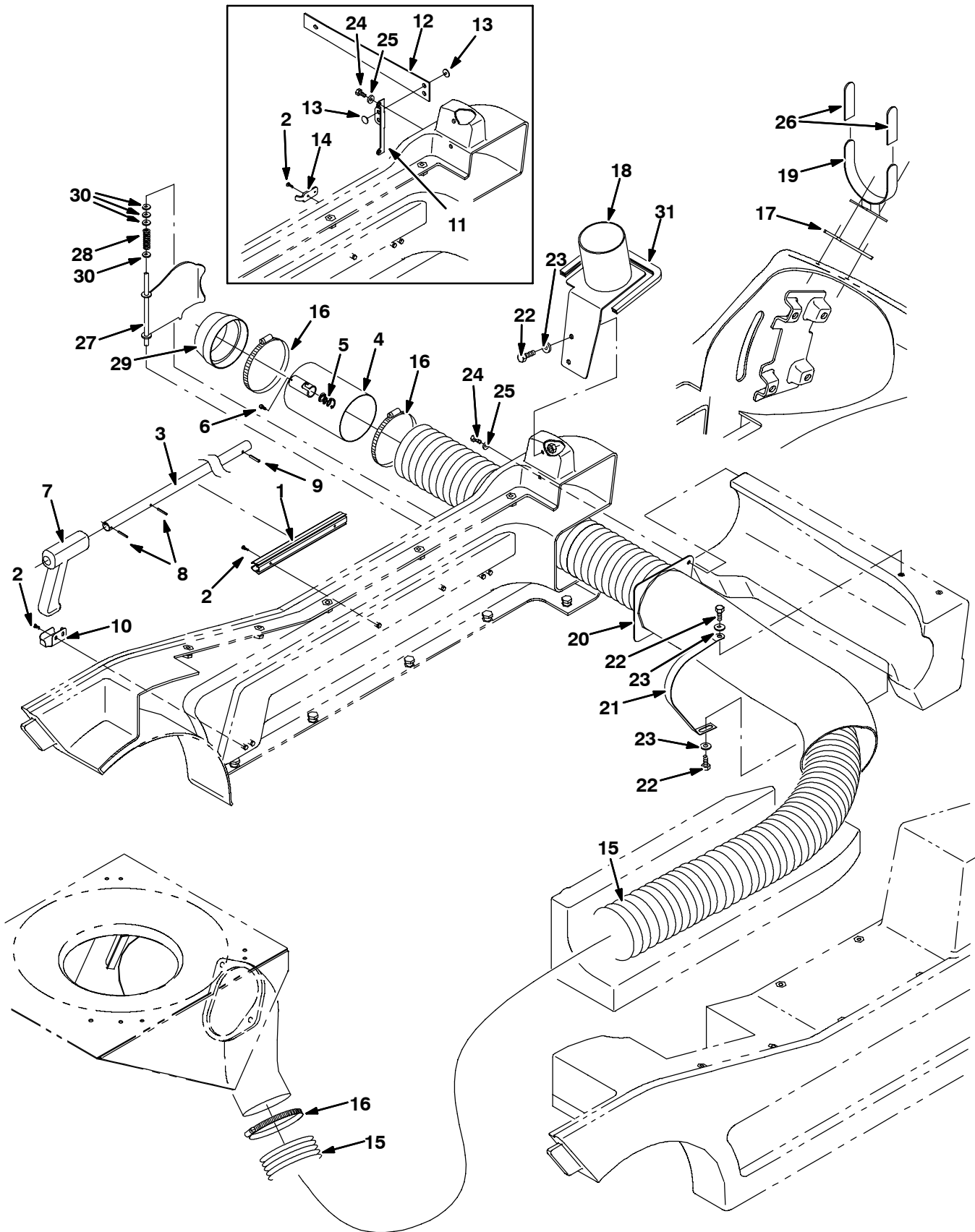


Fig. 36 - Vacuum Wand Group

Ref.	Tennant Part No.	Machine Serial Number	Description	Qty.
1	381768	(000000-) Clip, Retainer	1
2	19320	(000000-) Screw, Pan, #06-32 X 0.38, G1	6
3	381458	(000000-) Tube, Handle, Vacuum	1
4	381766	(000000-) Tube Assy, Vacuum, Hose-End	1
5	69495	(000000-) Spring, Compression	1
6	20394	(000000-) Screw, Hex, #10x0.62, Fmg Ab	1
7	381460	(000000-) Handle, Wand, Vacuum	1
8	11476	(000000-) Pin	2
9	28144	(000000-) Pin	1
10	381764	(000000-) Bracket, Mtg, Handle, Vacuum	1
11	381771	(000000-001076) Bracket, Mtg, Latch	1
12	381772	(000000-001076) Latch	1
13	77284	(000000-001076) Rivet, Snap	2
14	381773	(000000-001076) Catch	1
15	381464	(000000-001076) Hose, Vacuum, 4.0 Id	1
16	23498	(000000-) Clamp, Wormdrive	3
17	382482	(000000-) Plate	1
18	382505	(000000-) Retainer Wldt	1
19	382475	(000000-) Hose Retainer Wldt	1
20	381737	(000000-) Tube	1
21	381767	(000000-) Strap	1
22	16931	(000000-) Screw, Hex, M08-1.25 X 20, 8.8	4
23	32491	(000000-) Washer, Flat, .31 Hard	4
24	06942	(000000-) Screw, Hex, M06-1.0 X 16, 8.8	2
25	32483	(000000-) Washer, Flat, .25 Sae	2
26	360467	(000000-) Grip, Vinyl	2
27	382643	(001077-) Door, Wldt, Vacuum Wand	1
28	80448	(001077-) Spring, Compression, .42Od 1.5L	1
29	382634	(001077-) Bumper, Wand, Vacuum	1
30	32490	(001077-) Washer, Flat, .25 Hard	4
31	62595-15	(001580-) Molding, Trim, Pvc, .08-.11 13.2l	1

Fig. 37 - Hydraulic Schematic

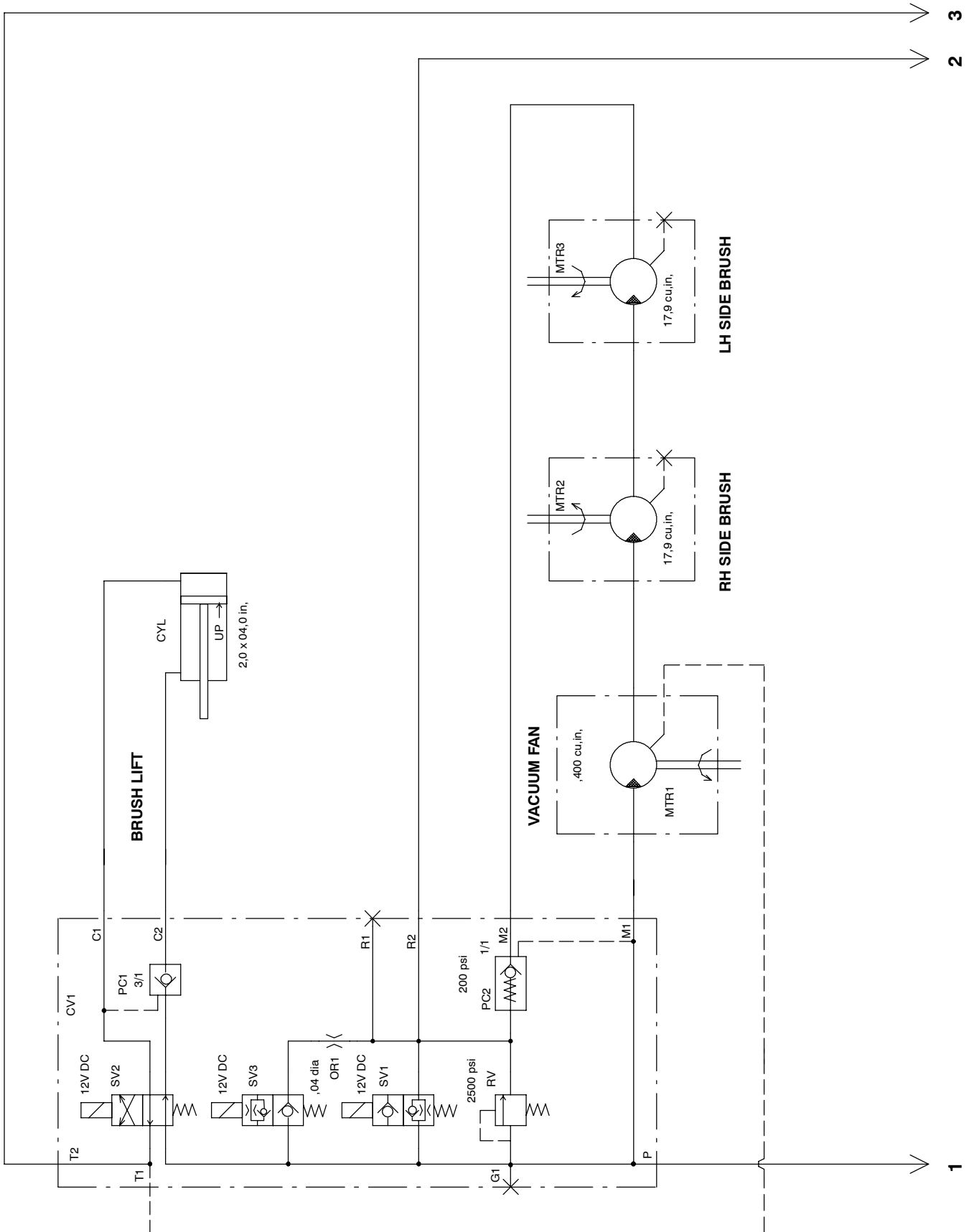


Fig. 37 - Hydraulic Schematic

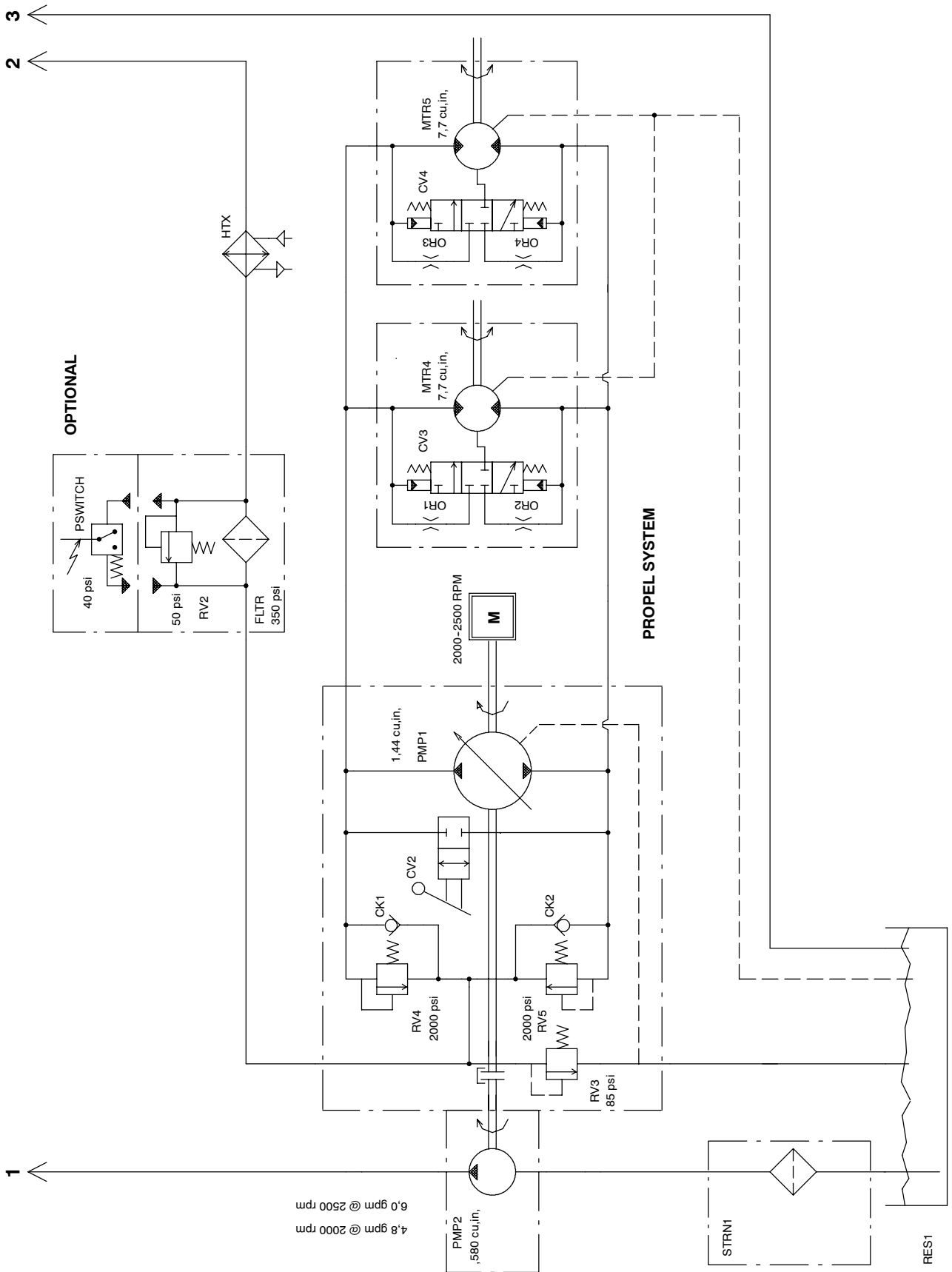


Fig. 38 - Hydraulic Hoses Group

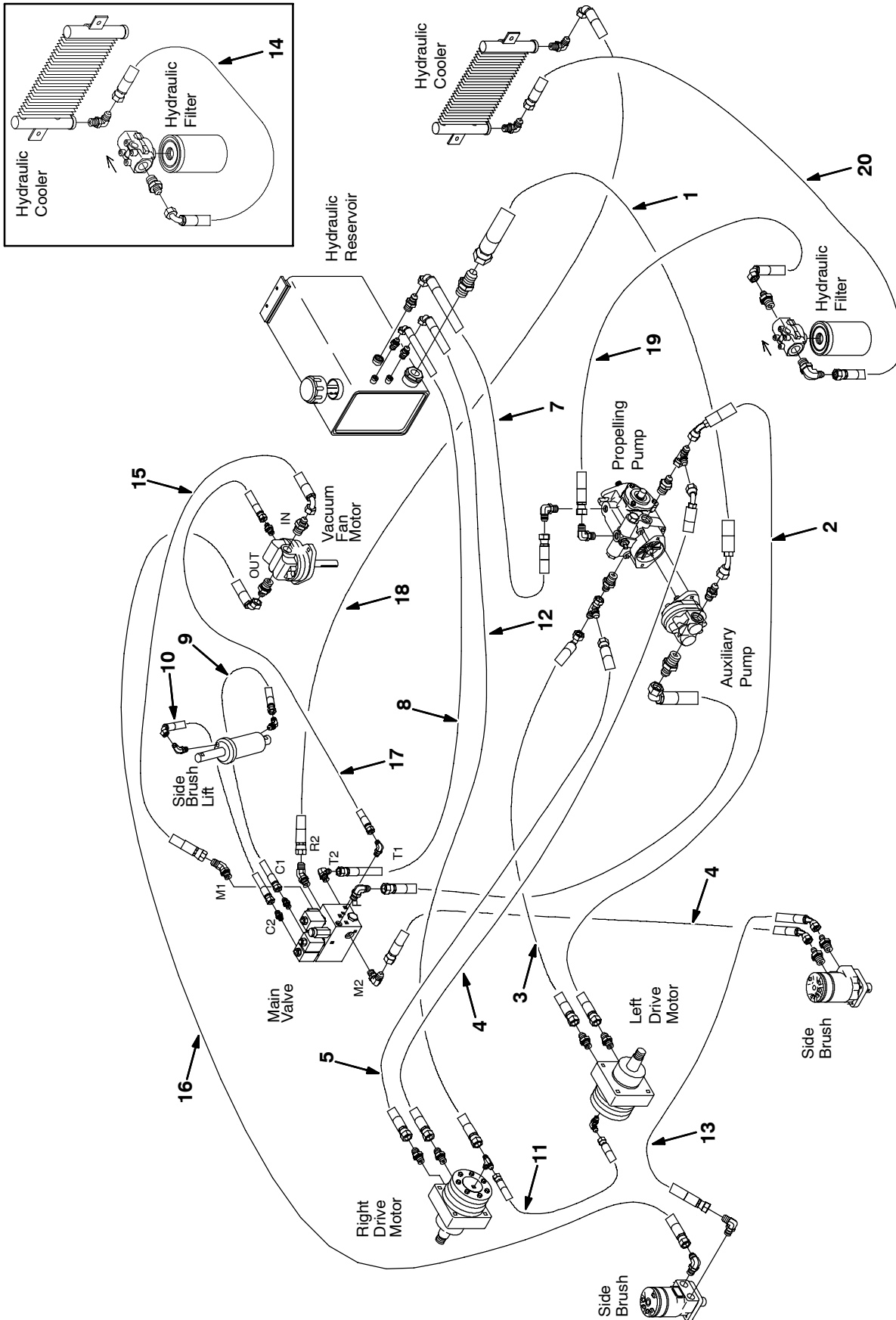


Fig. 38 - Hydraulic Hoses Group

Ref.	Tennant Part No.	Machine Serial Number	Description	Qty.
1	33723	(000000-) Hose, Hyd	1
2	381852	(000000-) Hose, Hyd, Ar 08, Jf Str/E45	1
3	381856	(000000-) Hose, Hyd, Ar 08, Jf Str/E90	1
4	381855	(000000-) Hose, Hyd, Ar 08, Jf Str/E45	2
5	381862	(000000-) Hose, Hyd, Ar 08, Jf Str/Str	1
6	381857	(000000-) Hose, Hyd, Ar 08, Jf Str/E90	1
7	381858	(000000-) Hose, Hyd, Ar 08, Jf Str/E90	1
8	381863	(000000-) Hose, Hyd, Ar 06, Jf Str/E90	1
9	381864	(000000-) Hose, Hyd, Ar 04, Jf Str/Str	1
10	381867	(000000-) Hose, Hyd, Ar 04, Jf Str/E90	1
11	381865	(000000-) Hose, Hyd, Ar 04, Jf Str/Str	1
12	381868	(000000-) Hose, Hyd, Ar 04, Jf Str/E90	1
13	381854	(000000-) Hose, Hyd, Ar 08, Jf Str/E45	1
14	381861	(000000-001195) Hose, Hyd, Ar 08, Jf Str/E90	1
15	381859	(000000-) Hose, Hyd, Ar 08, Jf Str/E90	1
16	381860	(000000-) Hose, Hyd, Ar 08, Jf Str/E90	1
17	381866	(000000-) Hose, Hyd, Ar 08, Jf Str/Str	1
18	381869	(000000-) Hose, Hyd, Ar 08, Jf Str/E90	1
19	381858	(000000-) Hose, Hyd, Ar 08, Jf Str/E90	1
20	382853	(001196-) Hose, Hyd, Ar 08, Jf Str/Str , 68.0L	1

Fig. 39 - Hydraulic Pumps Group

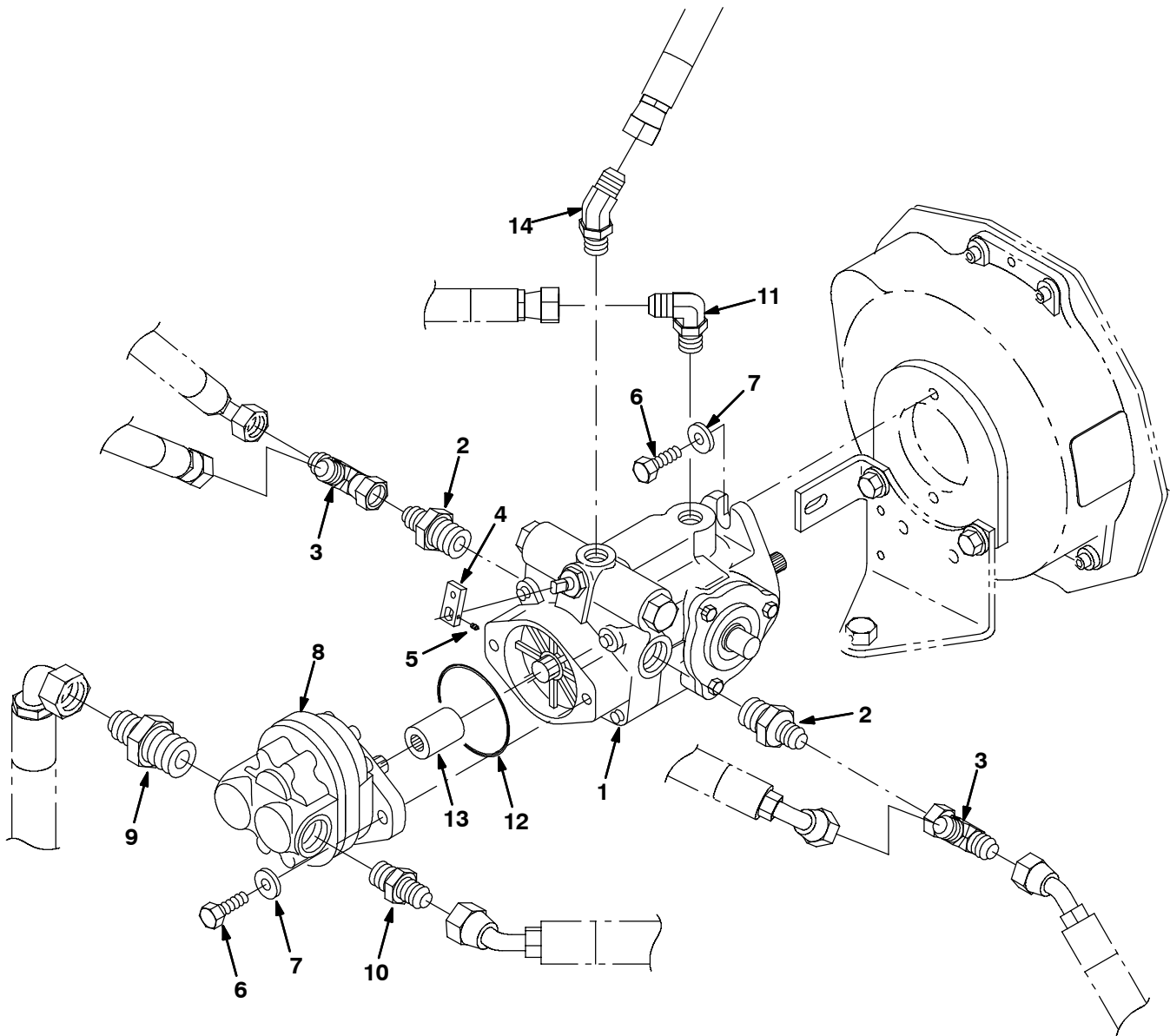


Fig. 39 - Hydraulic Pumps Group

Ref.	Tennant Part No.	Machine Serial Number	Description	Qty.
1	381830	(000000-001089)	Pump, Hyp Piston (Repl. by 373400) (See Breakdowns)	1
1	373388	(001090-001377)	Pump, Hyd Piston (Repl. by 373432) (See Breakdowns)	1
1	373426	(001378-)	Pump, Hyd Piston (See Breakdowns)	1
2	42227	(000000-)	Fitting, Hyd, Str	2
3	45482	(000000-)	Fitting, Hyd, Tee	2
4	382463	(000000-)	Lever, Tow	1
5	20634	(000000-)	Screw, Set, #10-24 X 0.25, NI	1
6	46559	(000000-)	Screw, Hex, .38-16 X 1.25, NI	4
7	32485	(000000-)	Washer, Flat, .38 Sae	4
8	364102	(000000-)	Pump, Hyd Gear Ex1 0.58 R (See Breakdowns)	1
9	34357	(000000-)	Fitting, Hyd, Str	1
10	56692	(000000-)	Fitting, Hyd, Str	1
11	44868	(000000-)	Fitting, Hyd, Elbow	1
12	65145-1	(000000-)	Seal, Oring	1
13	71721	(000000-)	Coupling	1
14	42226	(000000-)	Fitting, Hyd, E45, JM08/OM08	1

Fig. 40 - Hydraulic Pump Linkage Group

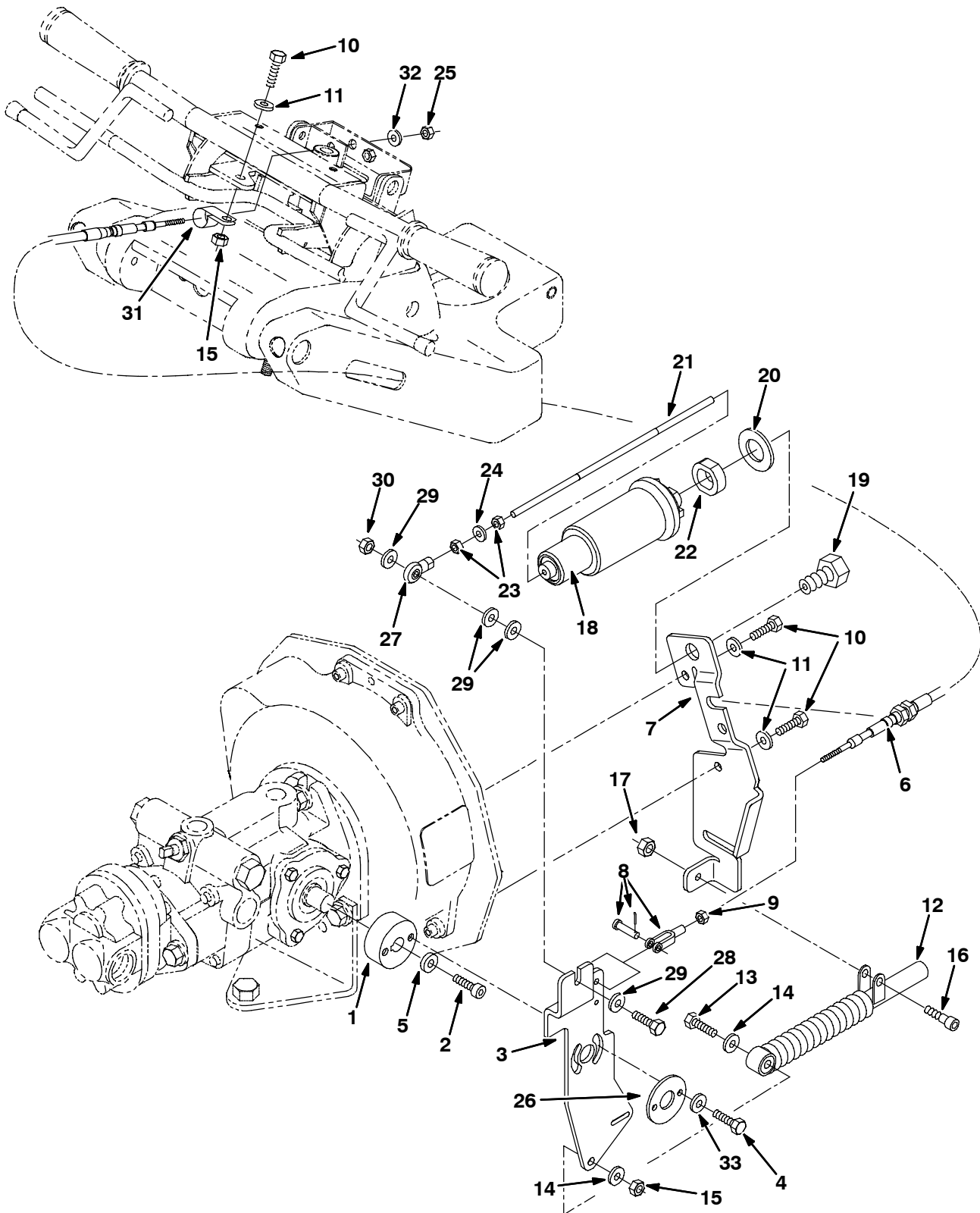


Fig. 40 - Hydraulic Pump Linkage Group

Ref.	Tennant Part No.	Machine Serial Number	Description	Qty.
1	72728	(000000-) Hub	1
2	39987	(000000-) Scr-Soc .31-24x.75 Alloypltd	1
3	382249	(000000-) Bracket, Pivot	1
4	368412	(000000-) Screw, Hex M8x1.25 30, 10.9	2
5	364889	(000000-) Washer	1
6	382036	(000000-) Cable, Push/ Pull, 80.0	1
7	382389	(000000-) Bracket Wldt, Mtg, Cable	1
8	27880	(000000-) Yoke Assy	1
9	01713	(000000-) Nut, Hex, Std, #10-32, G2	1
10	16931	(000000-) Screw, Hex, M08-1.25 X 20, 8.8	3
11	32491	(000000-) Washer, Flat, .31 Hard	3
12	73411	(000000-) Shock Absorber	1
13	76570	(000000-) Screw, Hex, M08-1.25 X 30, 8.8	1
14	39349	(000000-) Washer, Flat, .31 Sae	2
15	08709	(000000-) Nut, Hex, Lock, M08-1.25,NI	2
16	16213	(000000-) Bolt, Shld .31d X 1.00, .25-20	1
17	75934	(000000-) Nut, Hex, Lock, .25-20, NI	1
18	381796	(000000-) Spring, Propel, Centering	1
19	382511	(000000-) Screw, Hex .62-18 x .75, special	1
20	31705	(000000-) Washer, Flat, .88 Hard	2
21	382628	(000000-) Rod, Threaded	1
22	382269	(000000-) Spacer	1
23	01714	(000000-) Nut, Hex, Std, .25-28	2
24	78785	(000000-) Washer	1
25	01754	(000000-) Nut, Hex, Std M3-.50	1
26	368410	(000000-) Washer, Spacer	2
27	68866	(000000-) Rod-End	1
28	06946	(000000-) Screw, Hex, M06-1.0 X 35, 8.8	1
29	32490	(000000-) Washer, Flat, .25 Hard	4
30	08708	(000000-) Nut, Hex, Lock, M06-1.0, NI	1
31	67767	(000000-) Clamp, Cable	1
32	19066	(000000-) Washer, Flat # 10	1
33	41186	(000000-) Washer, Belleville .31	2

Fig. 41 - Hydraulic Valve Group

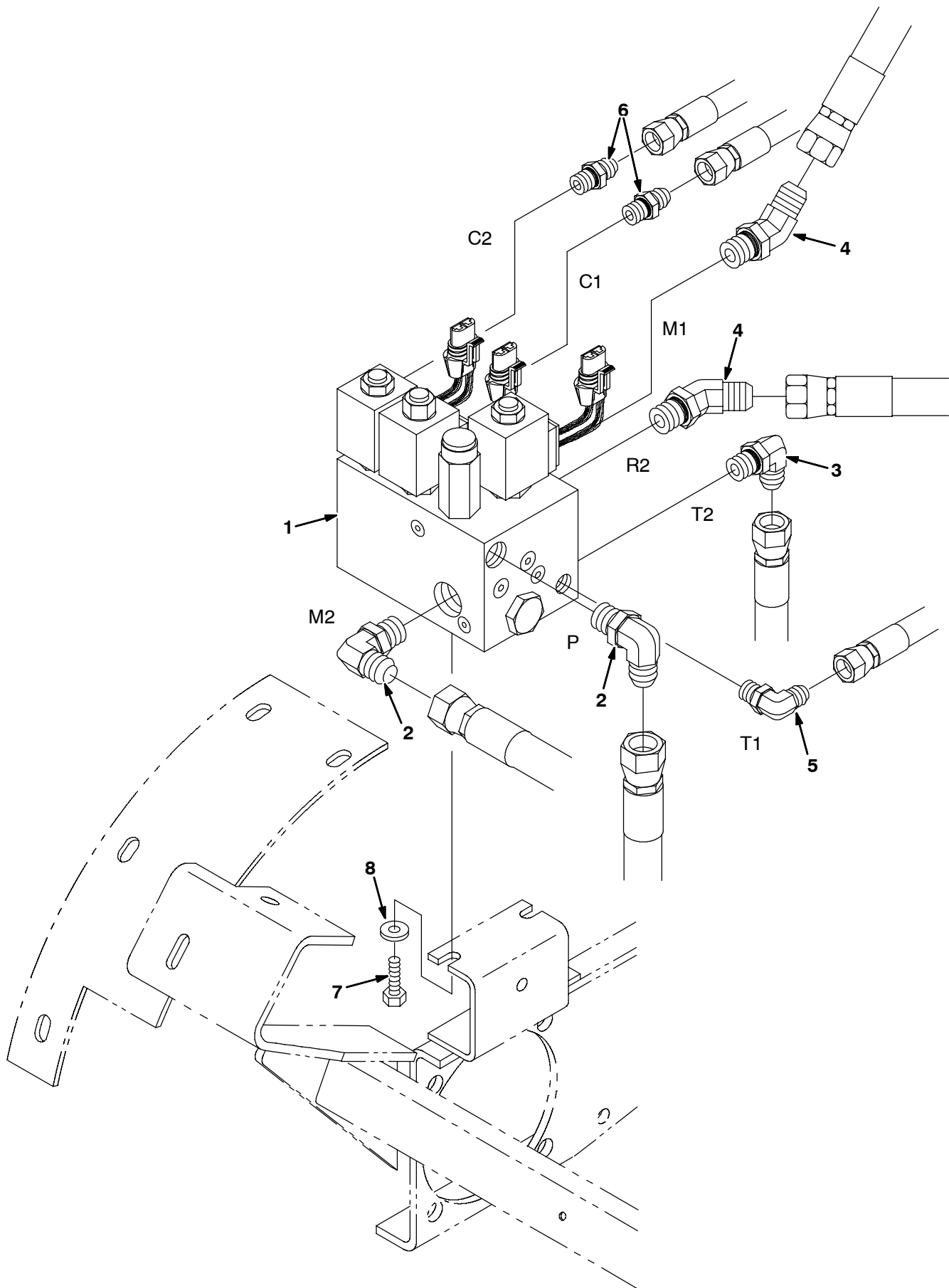


Fig. 41 - Hydraulic Valve Group

Ref.	Tenant Part No.	Machine Serial Number	Description	Qty.
1	381845	(000000-) Valve, Hyd, Solenoid (See Breakdown)	1
2	44868	(000000-) Ftg-Hyd E90	2
3	56820	(000000-) Ftg-Hyd E90	1
4	42226	(000000-) Ftg-Hyd E45	2
5	77097	(000000-) Ftg-Hyd E90	1
6	55586	(000000-) Ftg-Hyd Str	2
7	16931	(000000-) Screw, Hex, M08-1.25 X 20, 8.8	2
8	39349	(000000-) Washer, Flat, .31 Sae	2

Fig. 42 - Hydraulic Reservoir and Filter Group

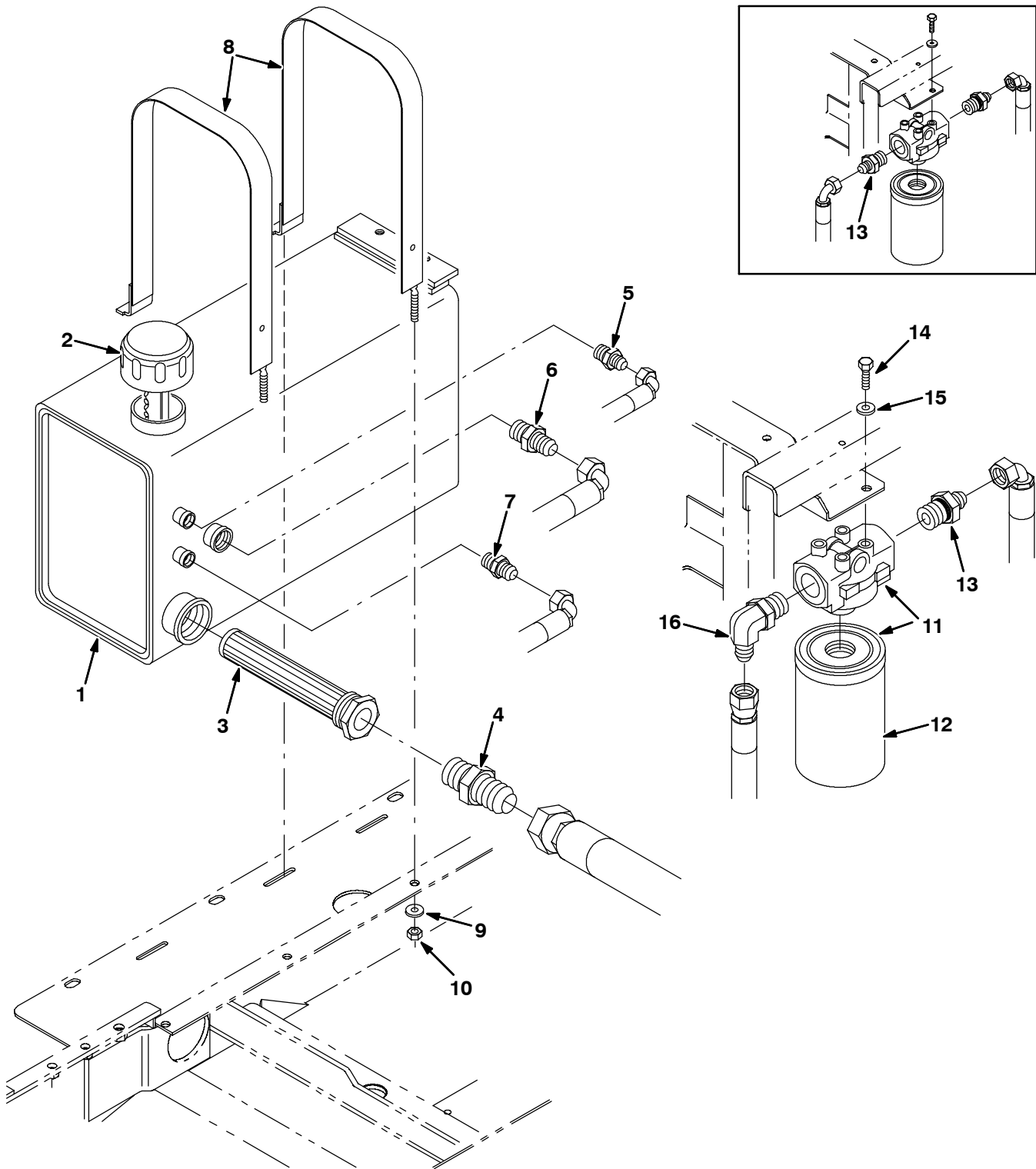


Fig. 42 - Hydraulic Reservoir and Filter Group

Ref.	Tennant Part No.	Machine Serial Number	Description	Qty.
	1	381696	(000000-) Reservoir, Hyd	1
▽	2	381697	(000000-) Breather, Cap, Hyd	1
▲		70006	(000000-) Gasket, Hyd Cap	1
	3	361023	(000000-) Strainer	1
	4	34357	(000000-) Fitting, Hyd, Str	1
	5	55685	(000000-) Fitting, Hyd, Str	1
	6	56692	(000000-) Fitting, Hyd, Str	1
	7	56690	(000000-) Fitting, Hyd, Str	1
	8	381686	(000000-) Strap Wldt, Tank, Hyd	2
	9	32490	(000000-) Washer, Flat, .25 Hard	2
	10	32981	(000000-) Nut, Hex, Lock, .25-20, NI	2
▽	11	10664	(000000-) Filter, Oil, Hyd	1
▲	12	65221	(000000-) Element, Filter	1
	13	42227	(000000-001195) Fitting, Hyd, Str	2
	14	16931	(000000-) Screw, Hex, M08-1.25 X 20, 8.8	2
	15	32491	(000000-) Washer, Flat, .31 Hard	2
	16	47655	(001196-) Fitting, Hyd, E90, Jm08/Om12	2

Fig. 43 - Electrical Schematic

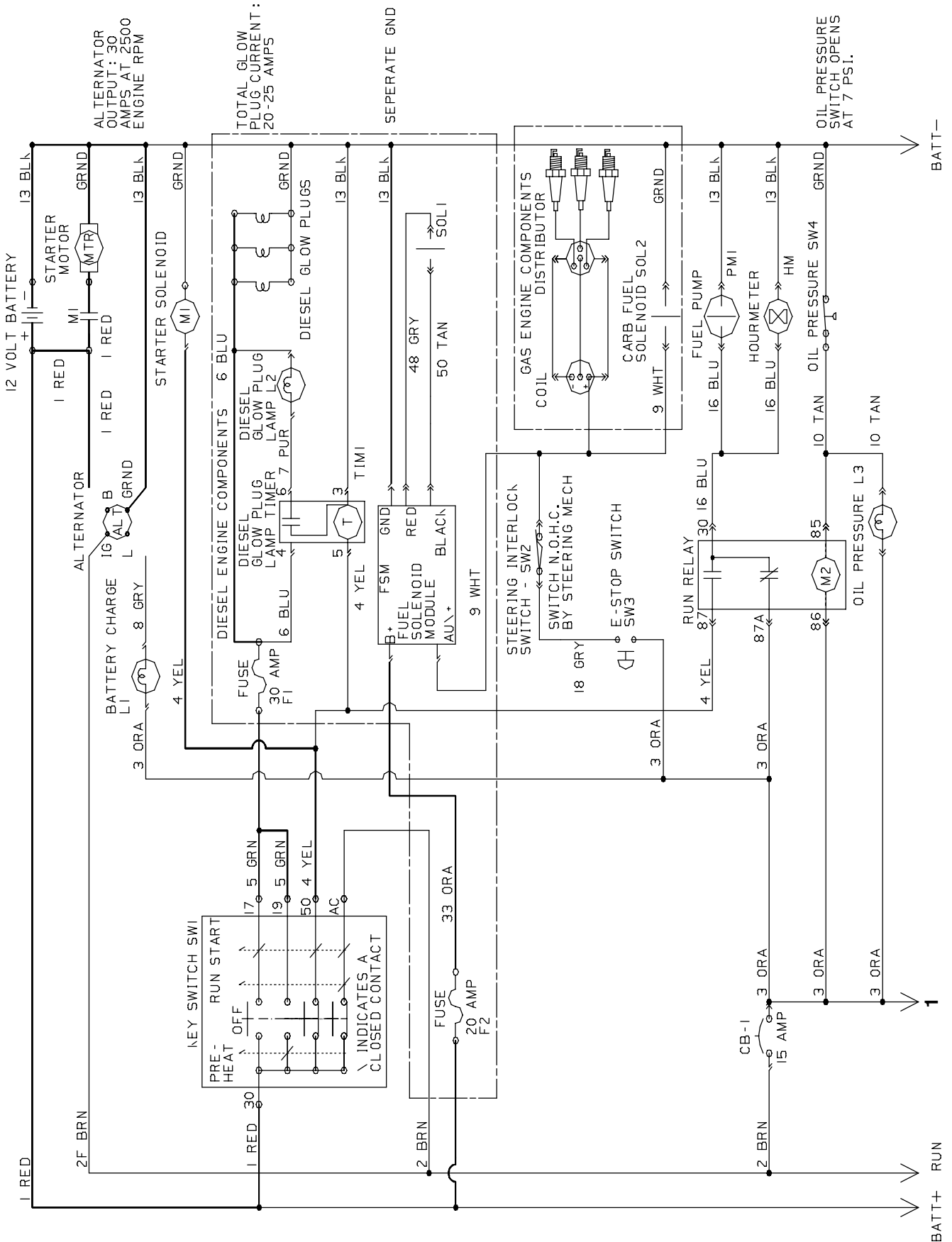


Fig. 43 - Electrical Schematic

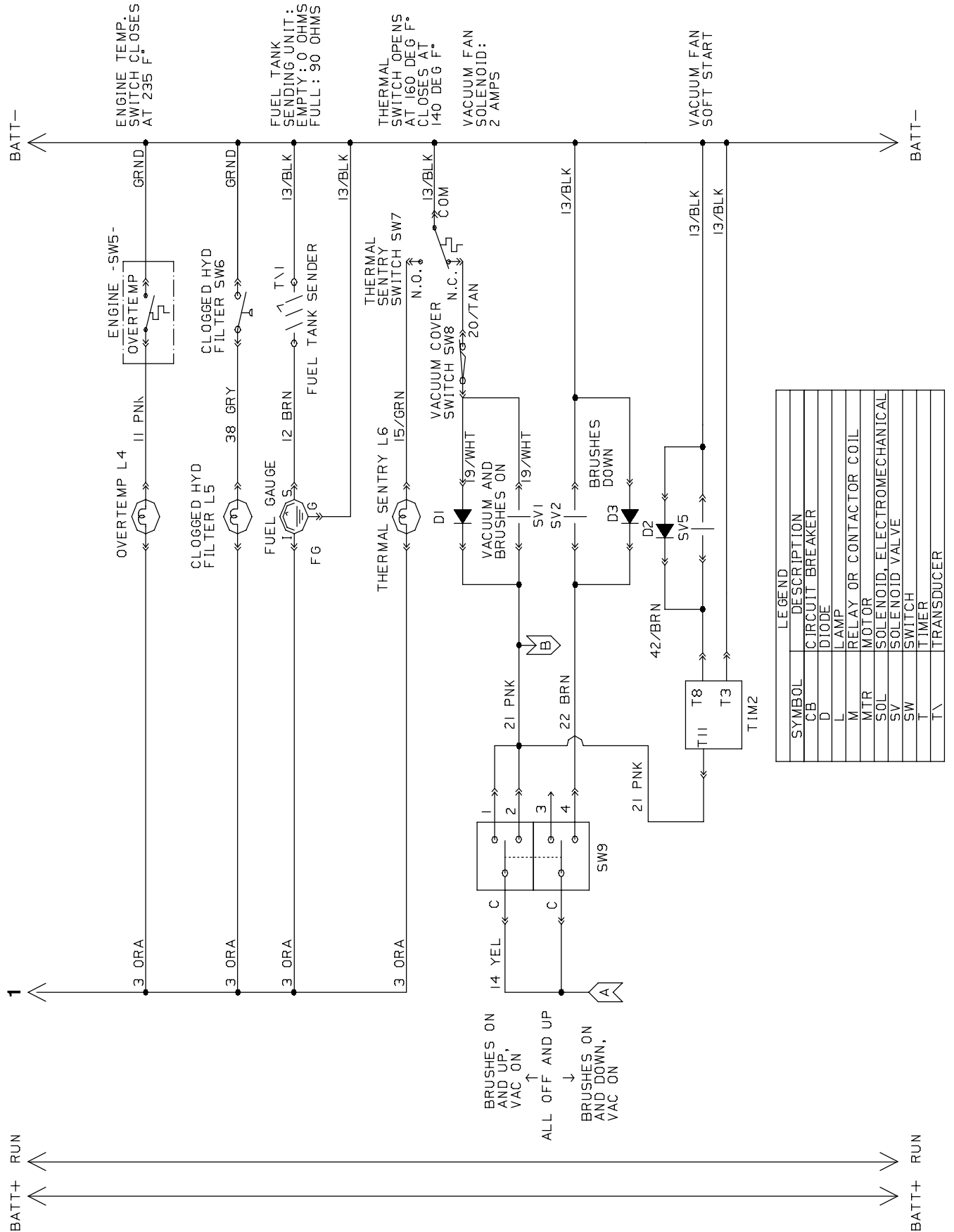
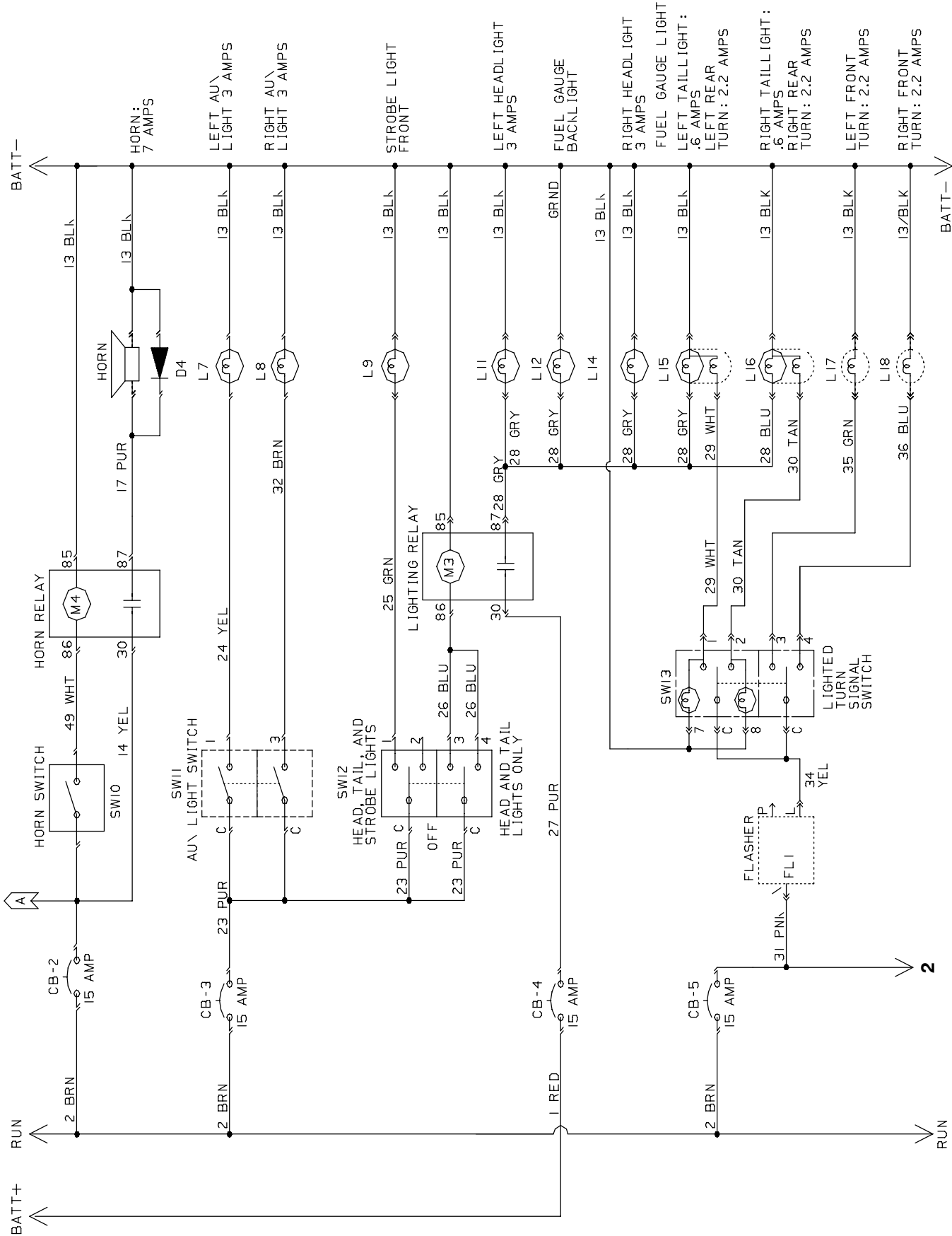


Fig. 43 - Electrical Schematic



353109

Fig. 43 - Electrical Schematic

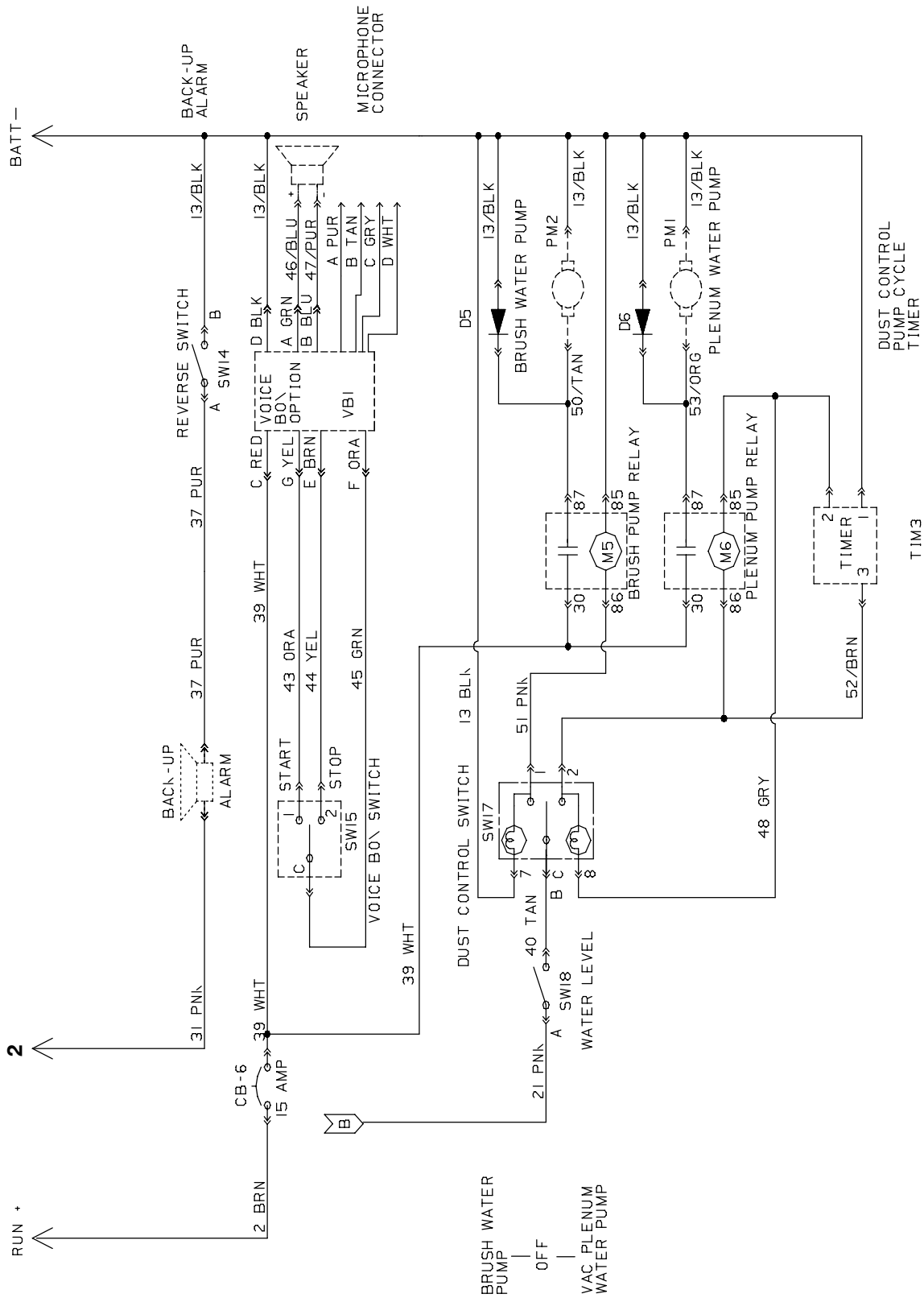


Fig. 44 - Wire Harness Group, Main (00000-001579)

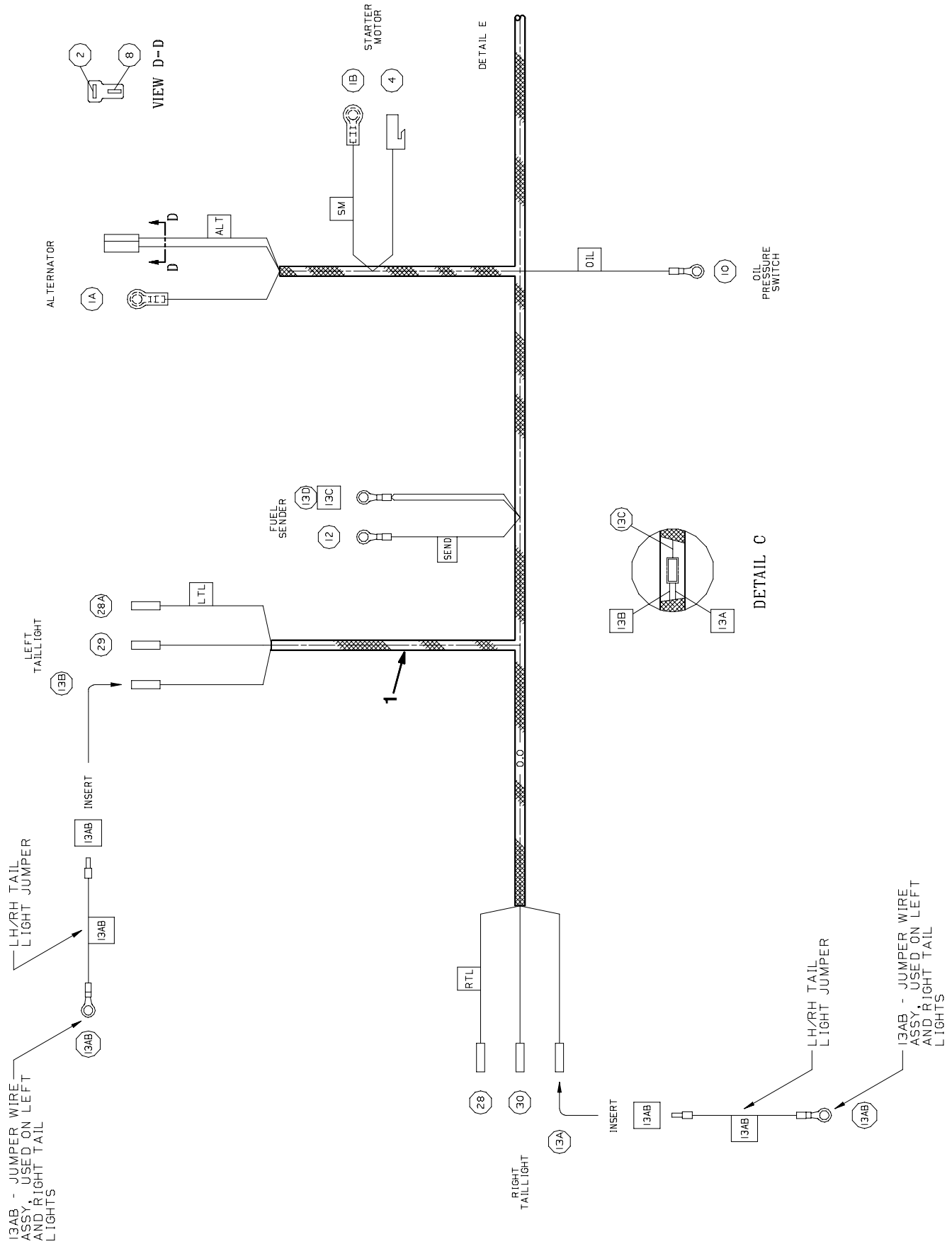


Fig. 44 - Wire Harness Group, Main (000000-001579)

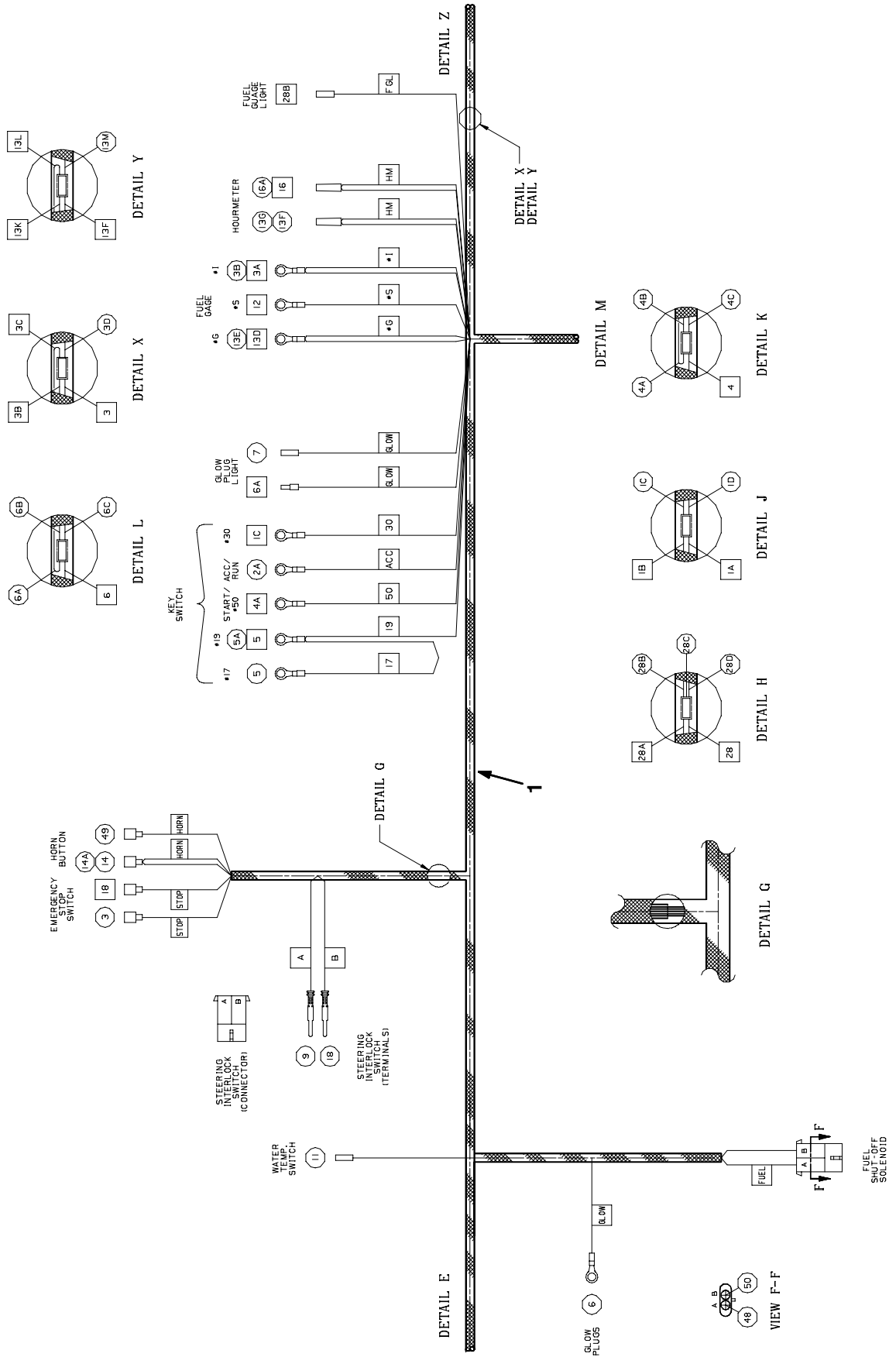
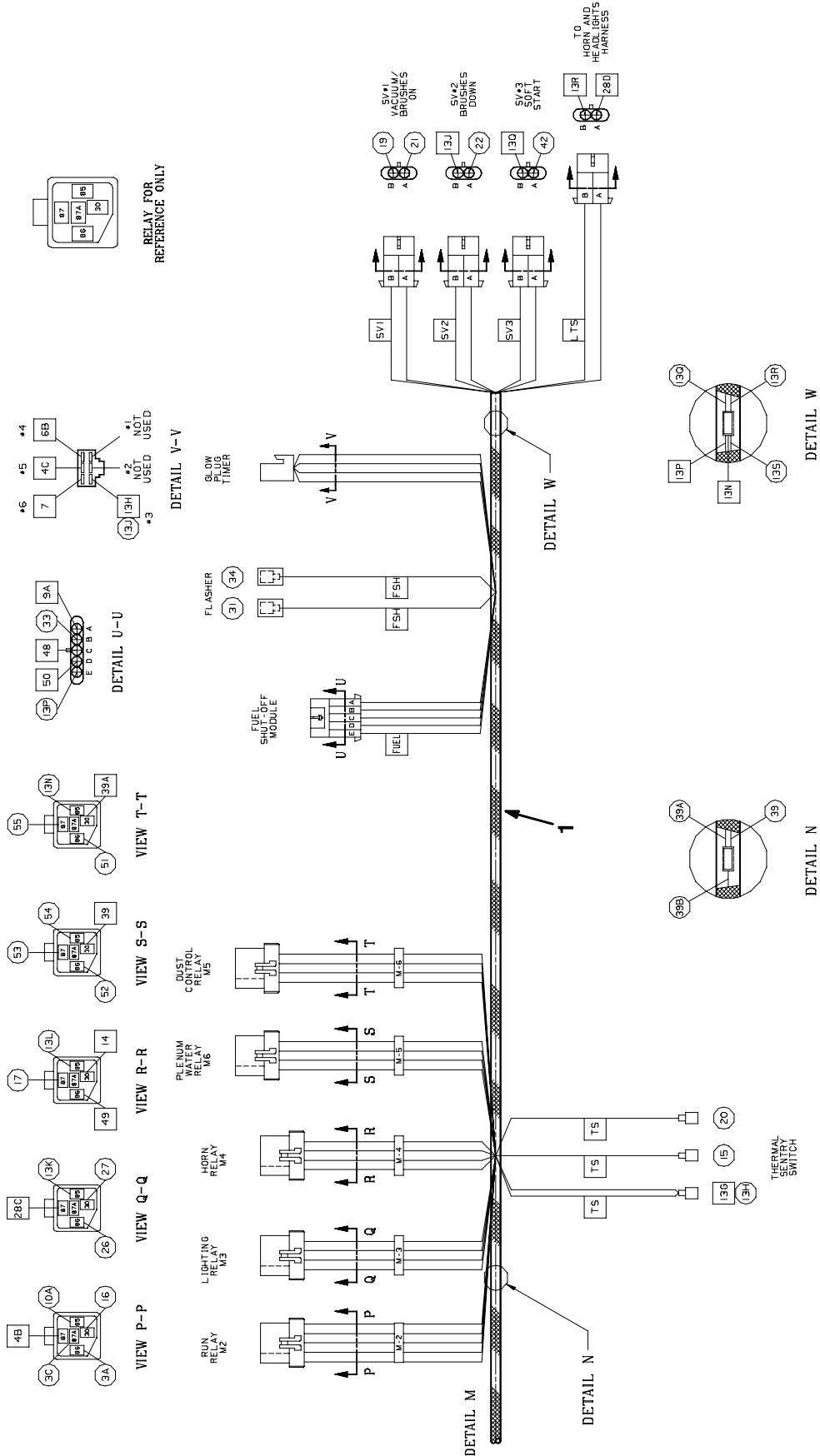
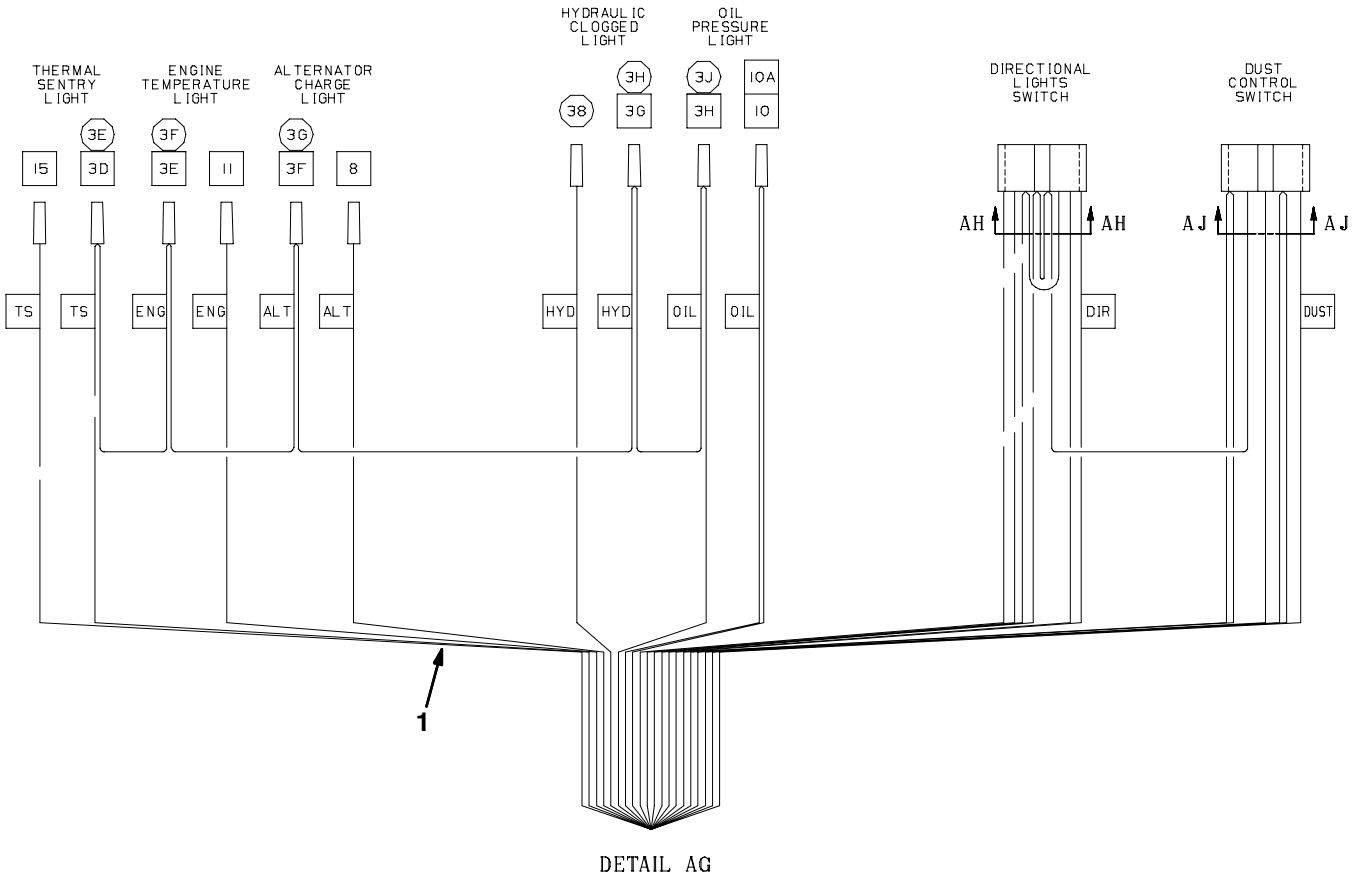
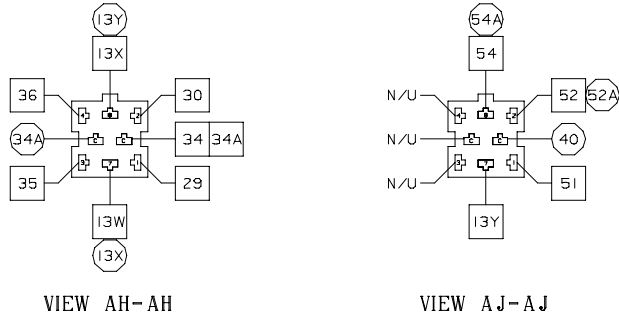


Fig. 44 - Wire Harness Group, Main (00000-001579)



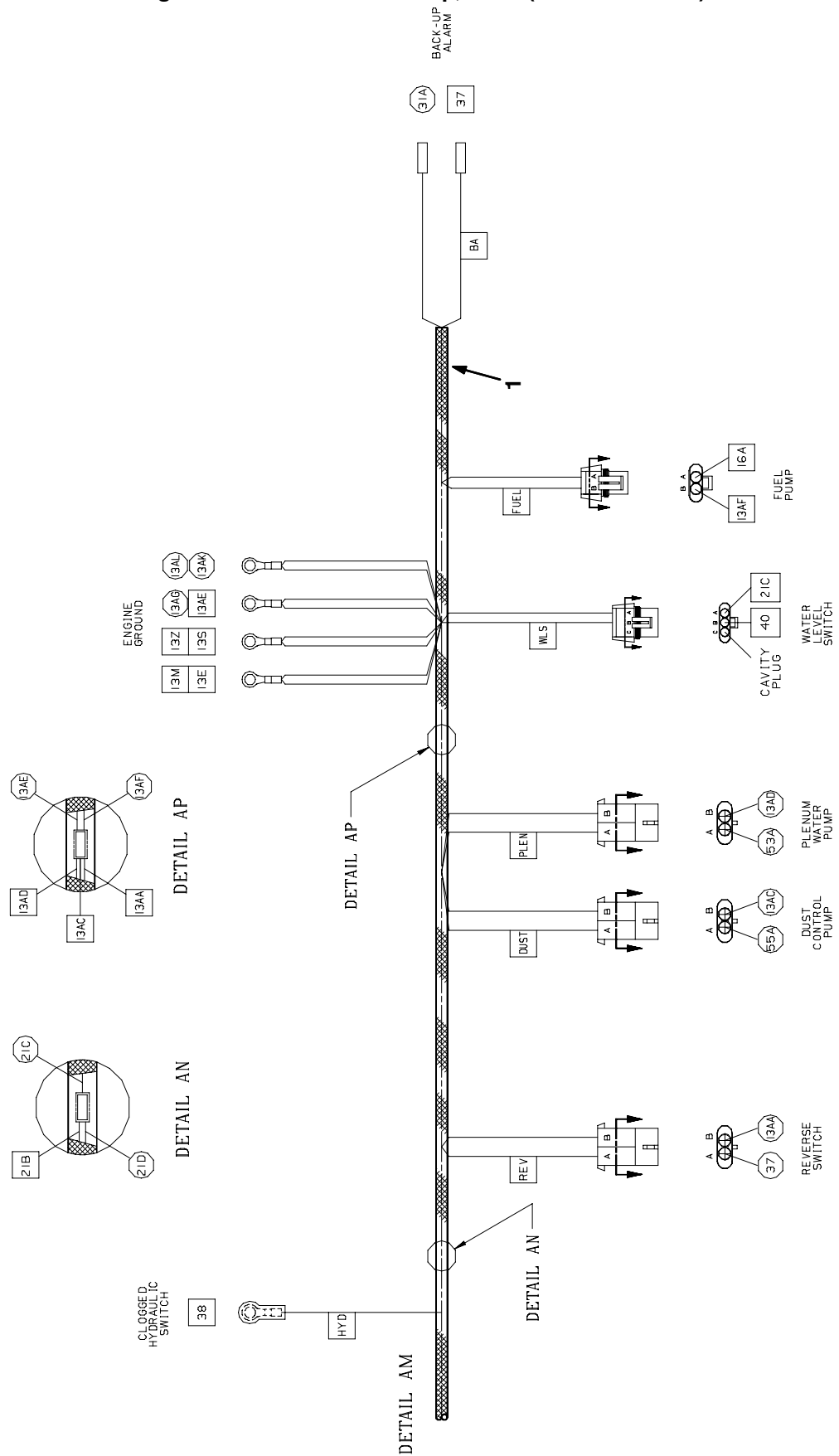
353115

Fig. 44 - Wire Harness Group, Main (000000-001579)



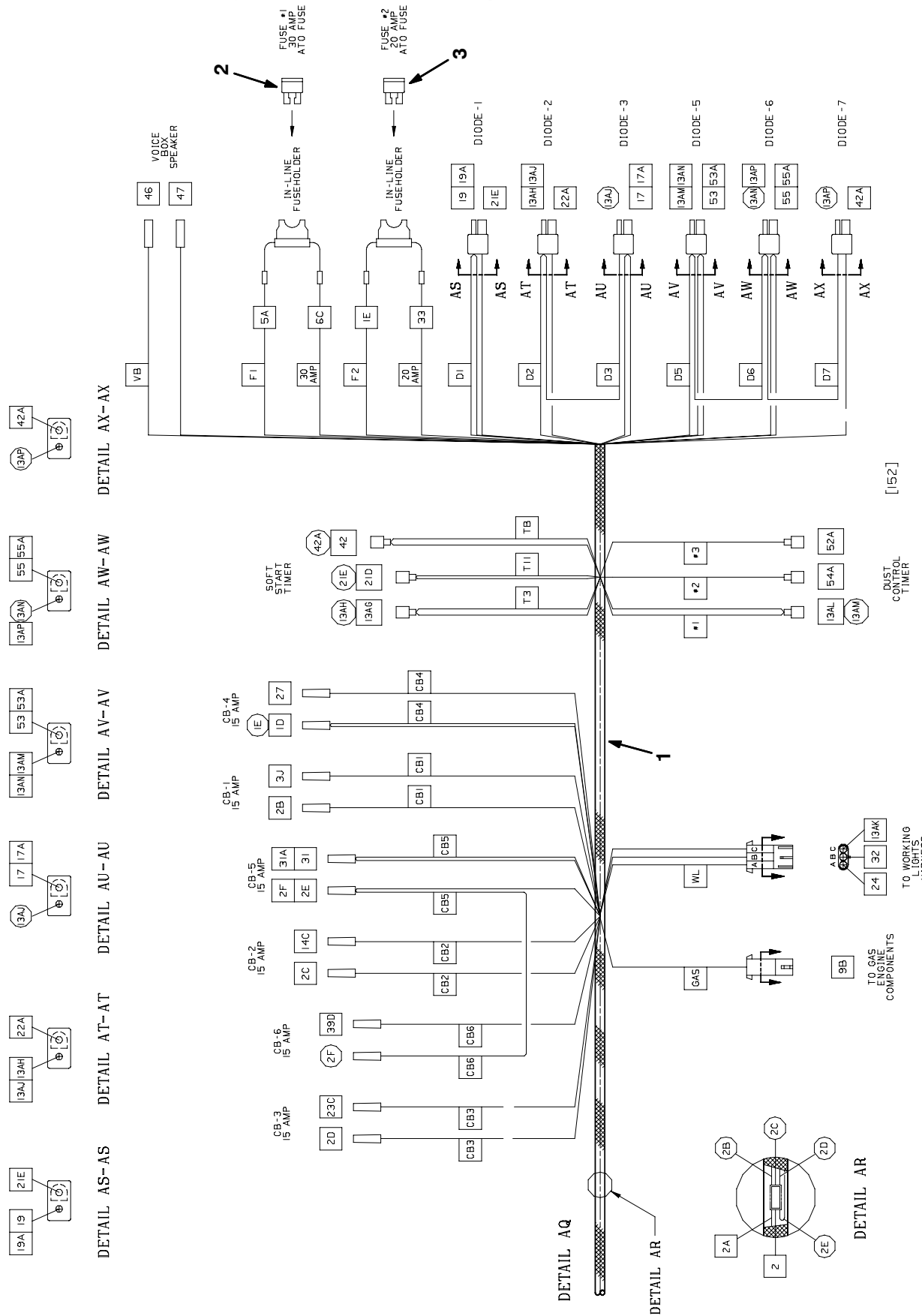
353115

Fig. 44 - Wire Harness Group, Main (000000-001579)



353115

Fig. 44 - Wire Harness Group, Main (000000-001579)



353115

Fig. 44 - Wire Harness Group, Main (000000-001579)

	Ref.	Tenant Part No.	Machine Serial Number	Description	Qty.
▽	1	381416	(000000-001201)	Harness, Wire, Main	1
▲	2	762516	(000000-001201)	Fuse, 30 Amp	1
▲	3	762515	(000000-001201)	Fuse, 20 Amp	1
▽	1	382735	(001202-001579)	Harness, Wire, Main	1
▲	2	762516	(001202-001579)	Fuse, 30 Amp	1
▲	3	762515	(001202-001579)	Fuse, 20 Amp	1

Fig. 45 - Wire Harness Group, Main (001580-)

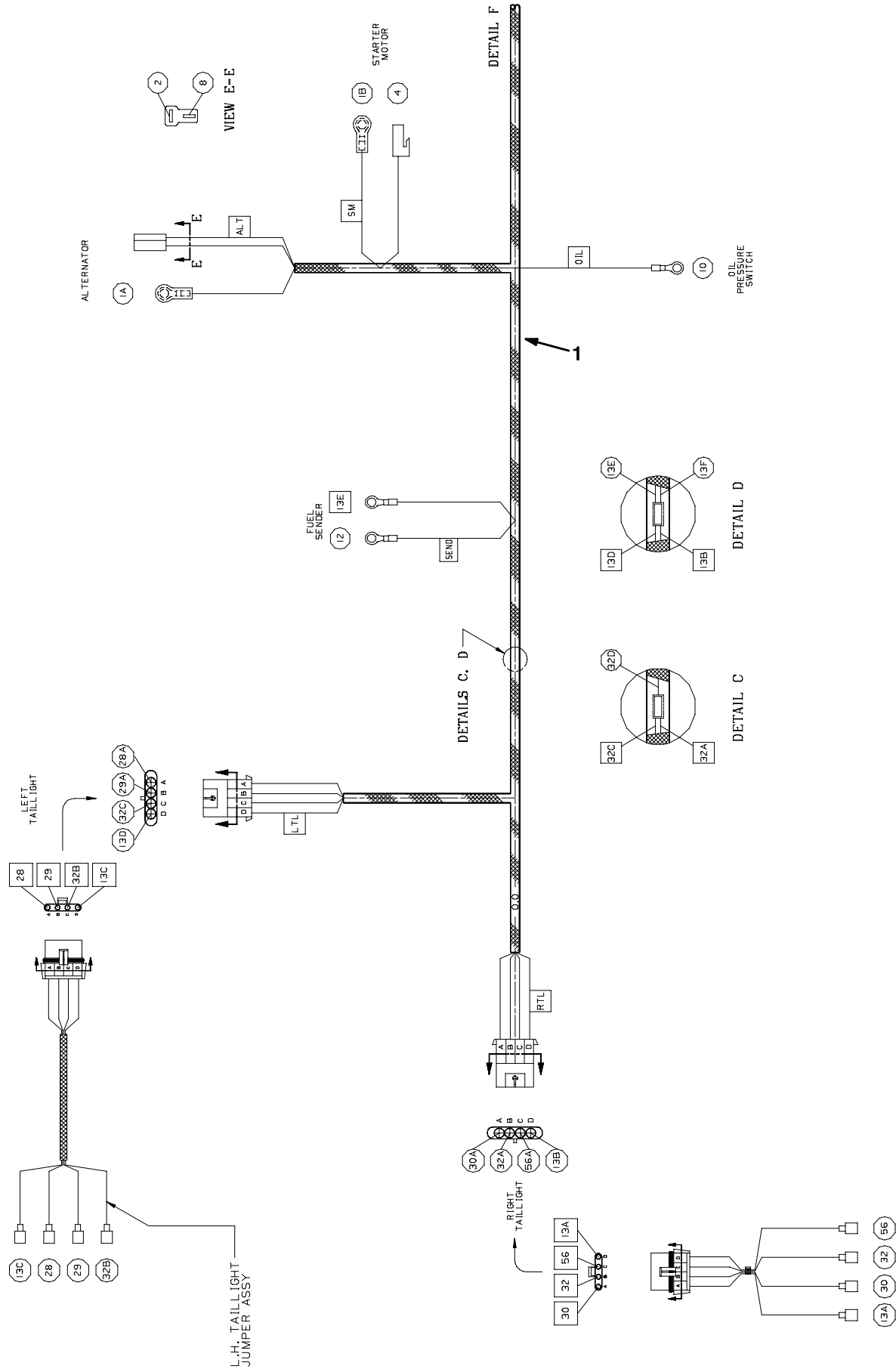
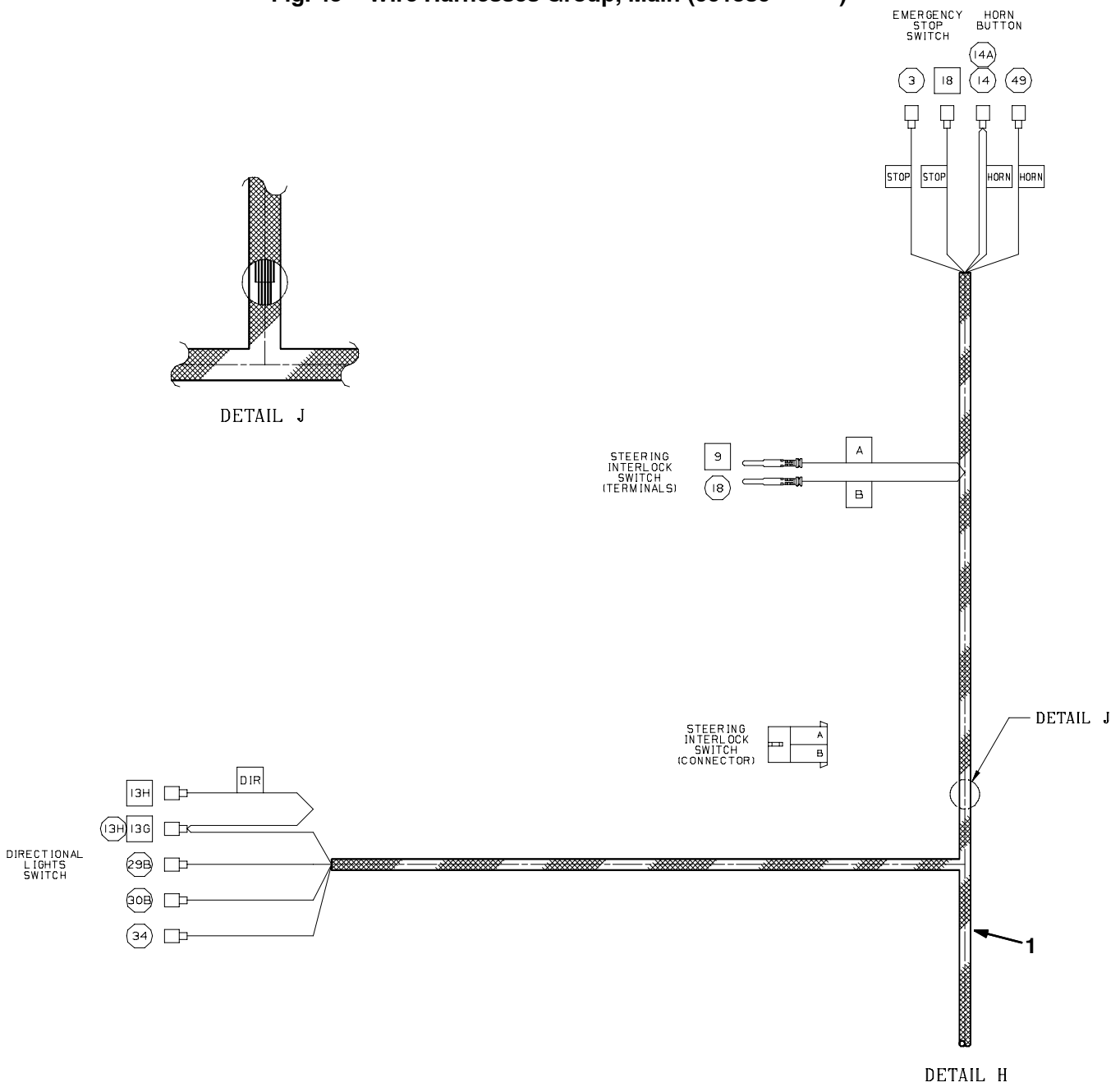


Fig. 45 - Wire Harnesses Group, Main (001580-)



353621 - CE

Fig. 45 - Wire Harness Group, Main (001580-)

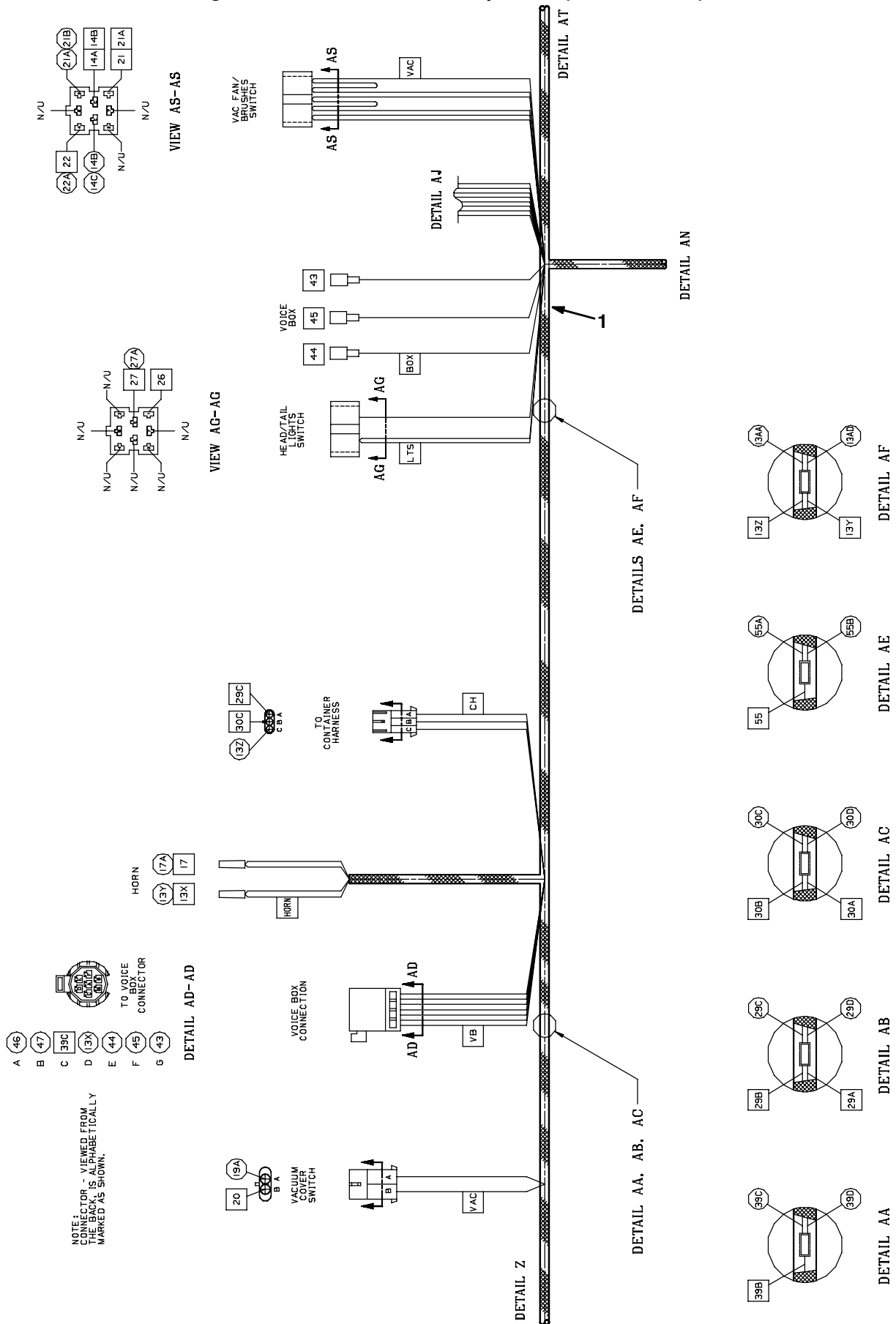


Fig. 45 - Wire Harness Group, Main (001580-)

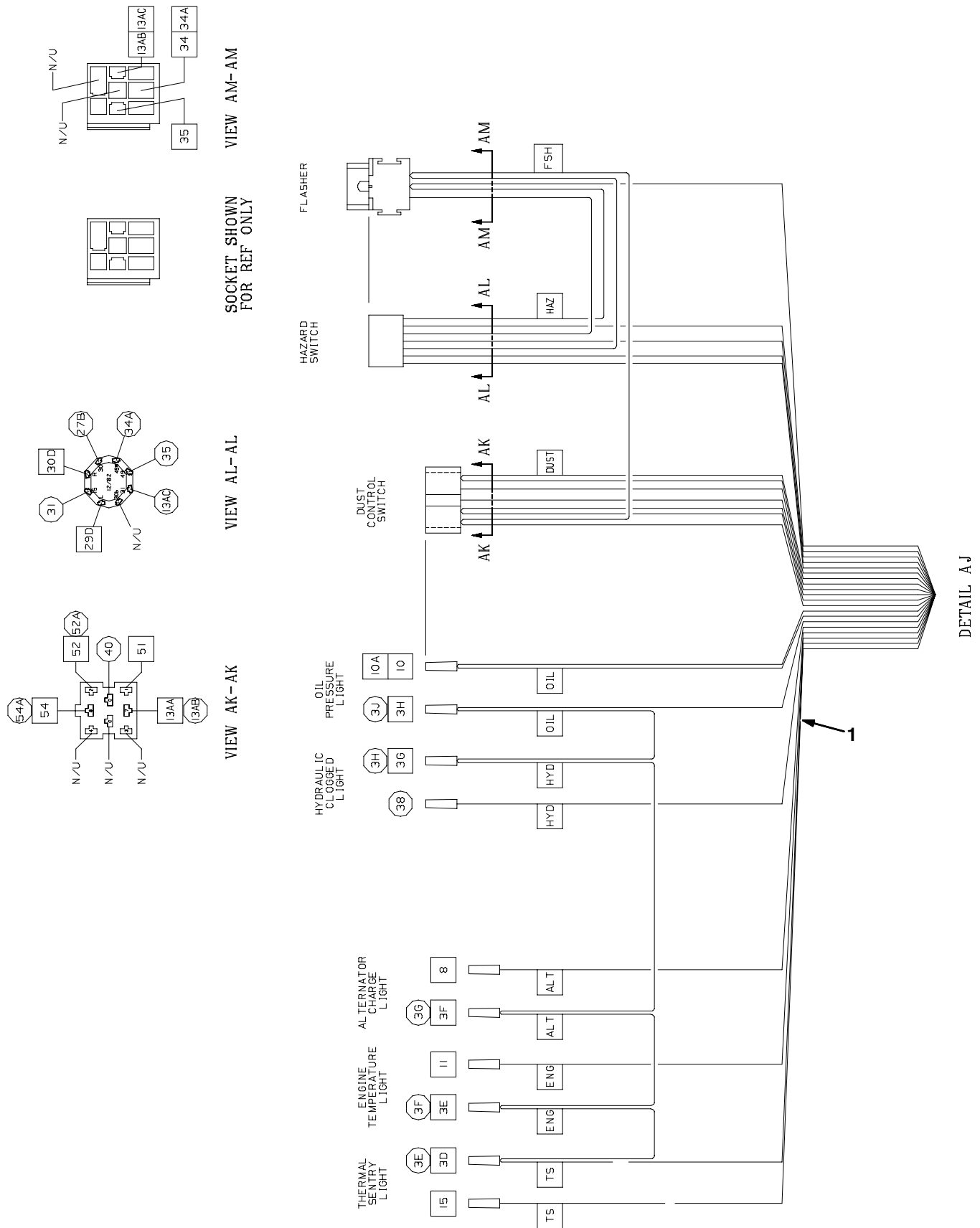


Fig. 45 - Wire Harness Group, Main (001580-)

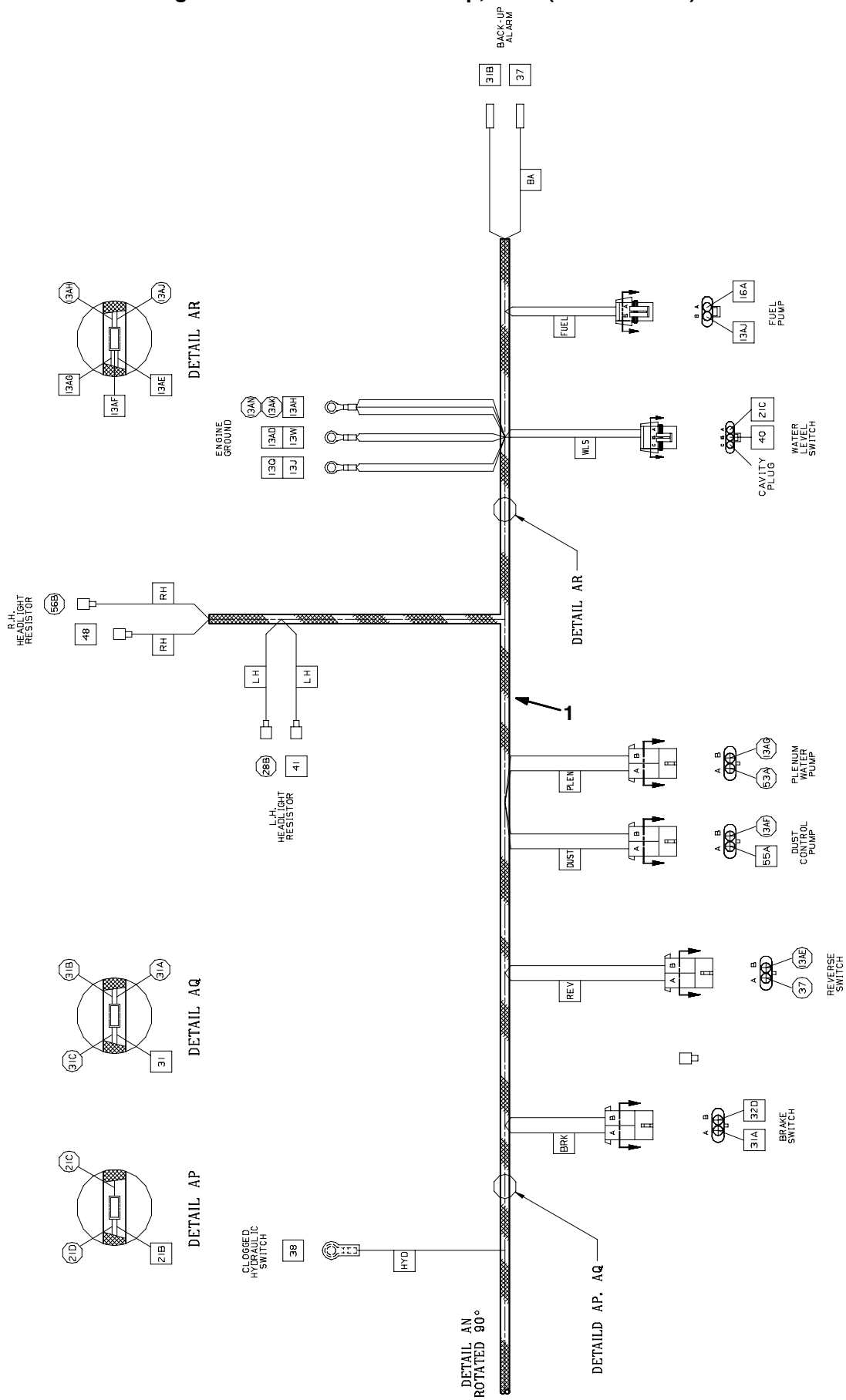


Fig. 45 - Wire Harness Group, Main (001580-)

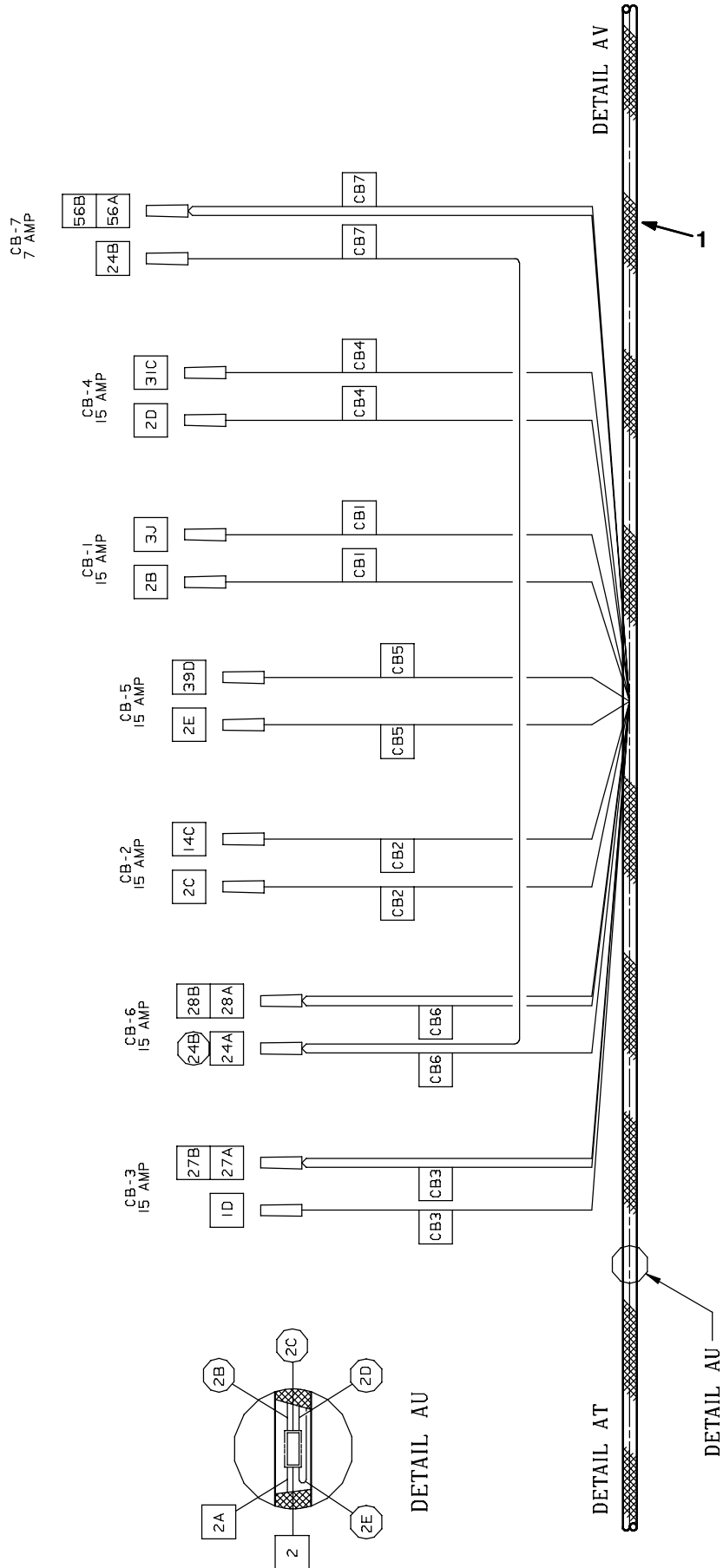


Fig. 45 - Wire Harnesses Group, Main (001580-)

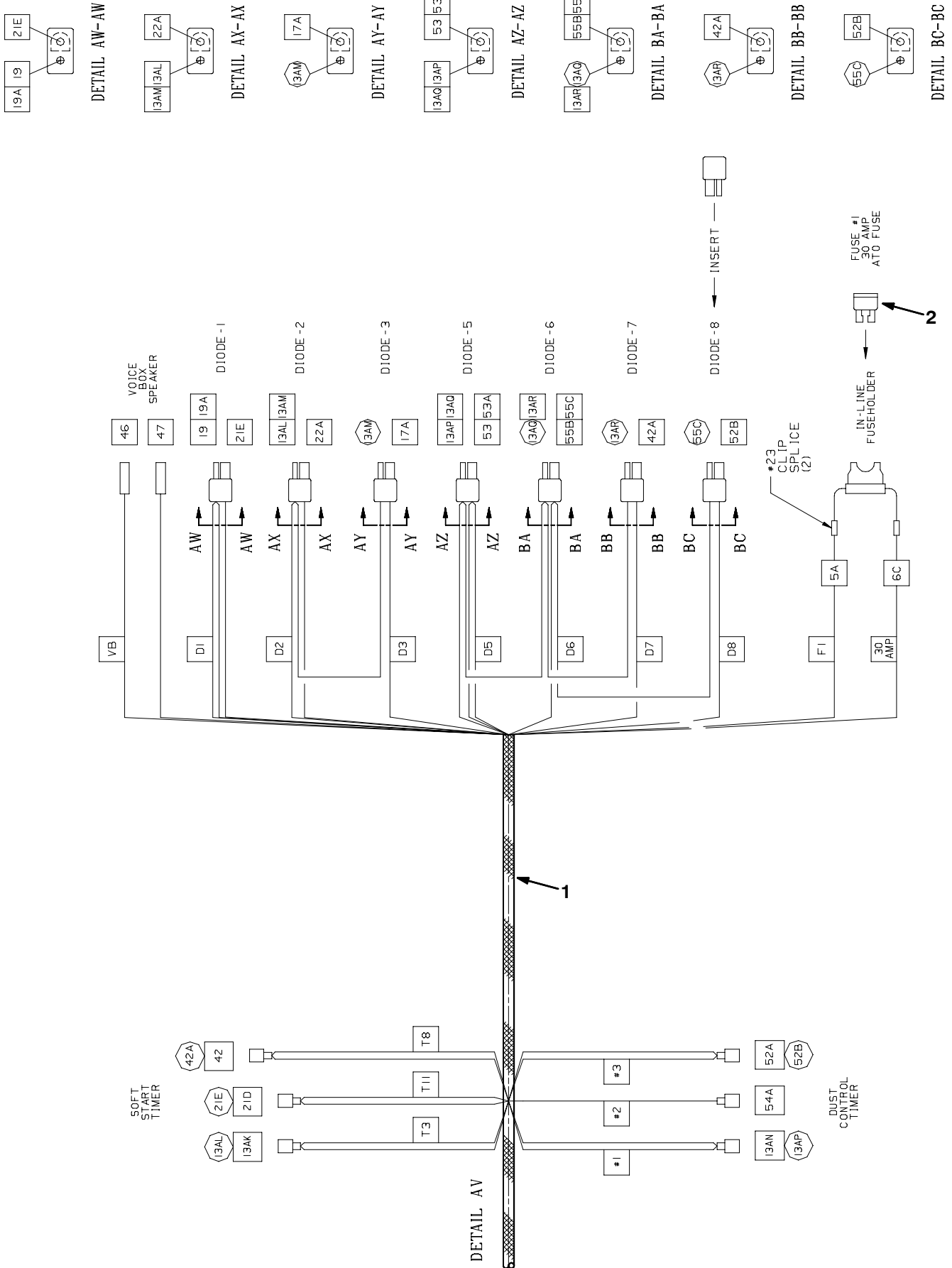
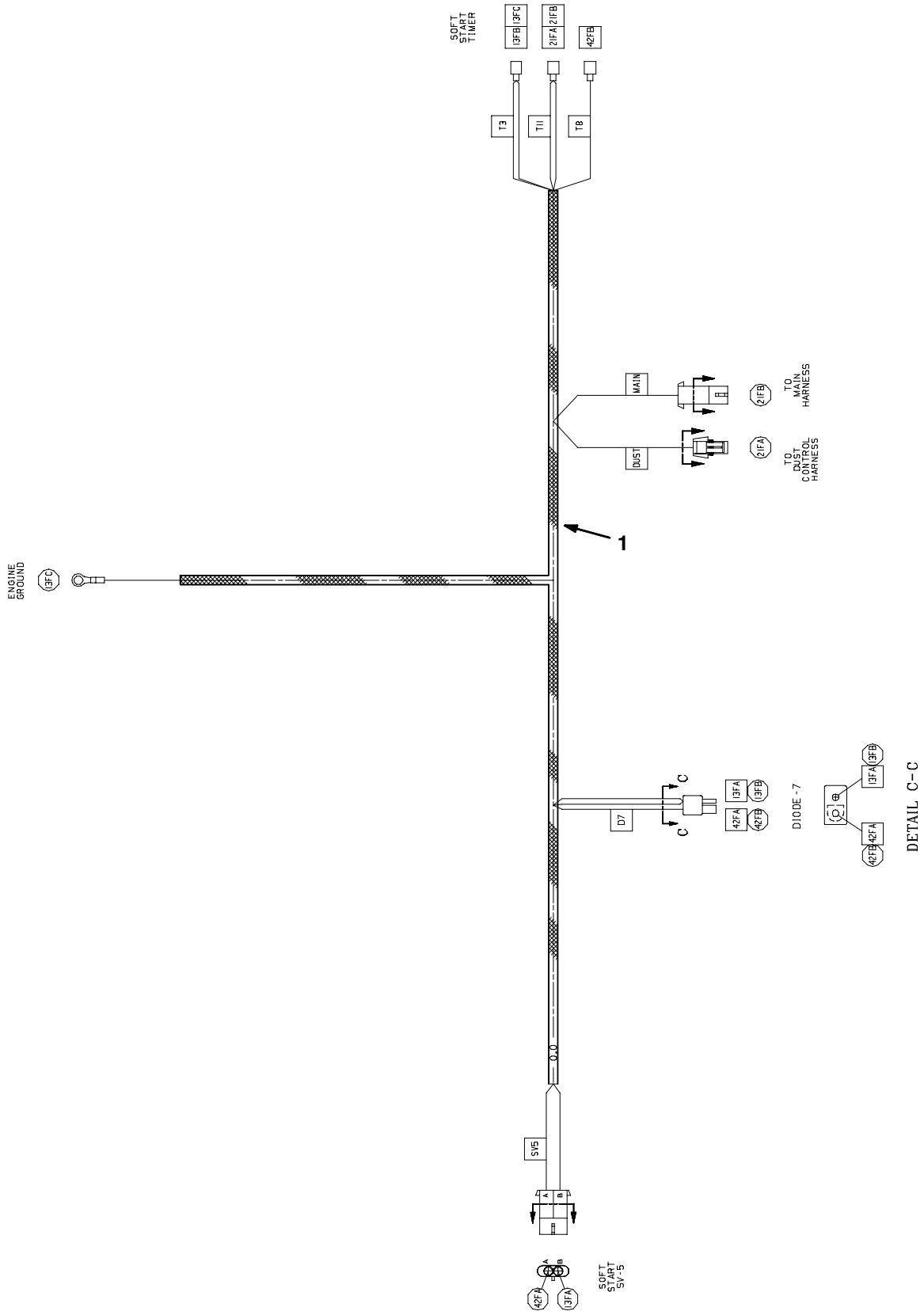


Fig. 45 - Wire Harnesses Group, Main (001580-)

	Ref.	Tennant Part No.	Machine Serial Number	Description	Qty.
▽	1	383030	(001580-)	Harness, Main, Tnv [Litterhawk]	1
▲	2	762516	(001580-)	Fuse, 30 Amp	1

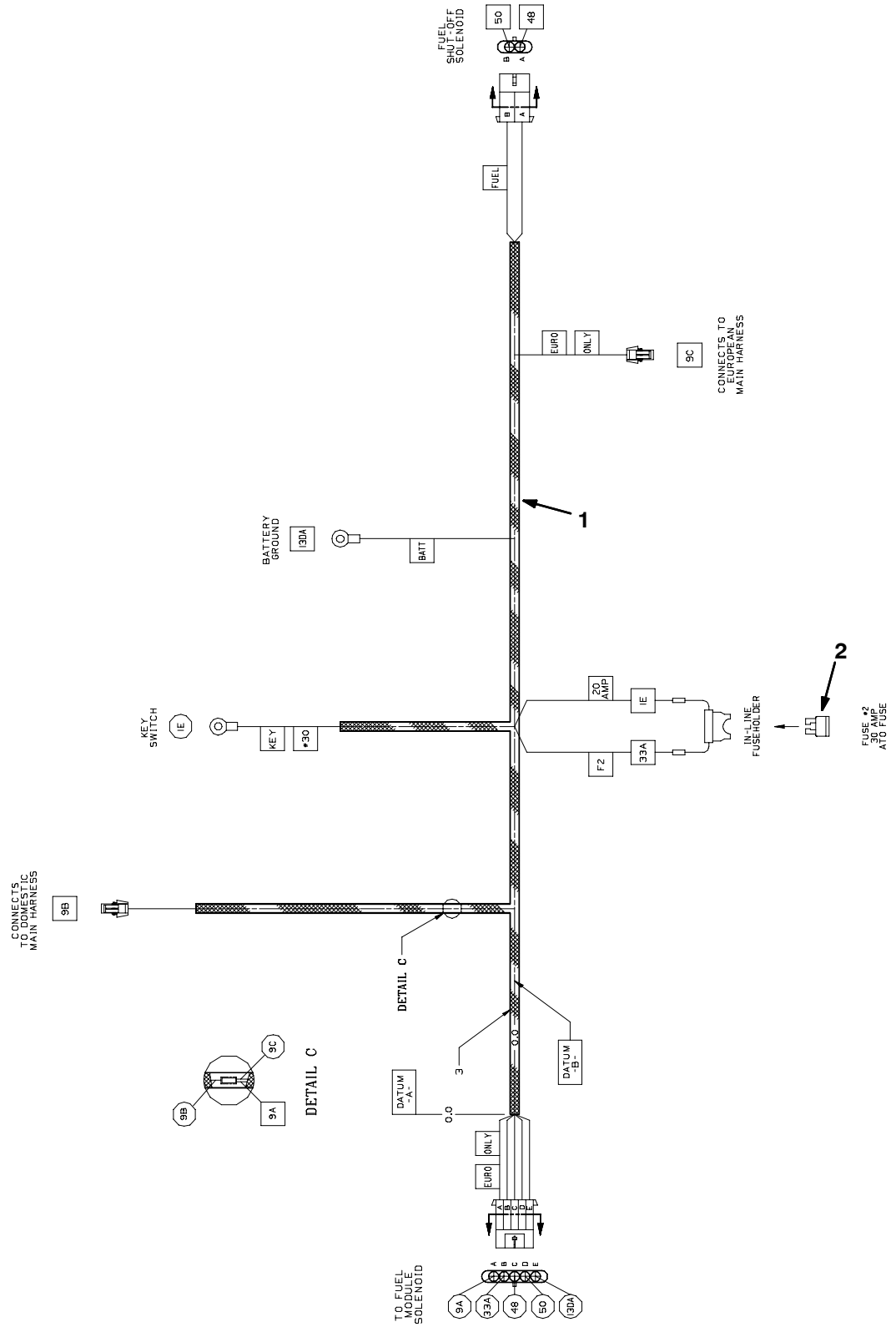
Fig. 46 - Wire Harness Group, Soft Start (00000-001201)



353115

Ref.	Tennant Part No.	Machine Serial Number	Description	Qty.
1	382413	(00000-001201)	Harness, Soft Start	1

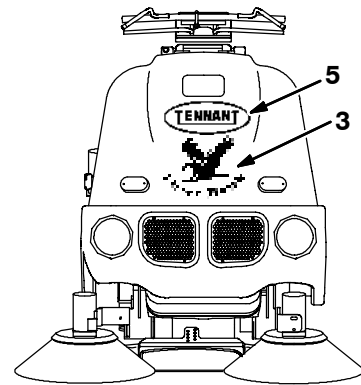
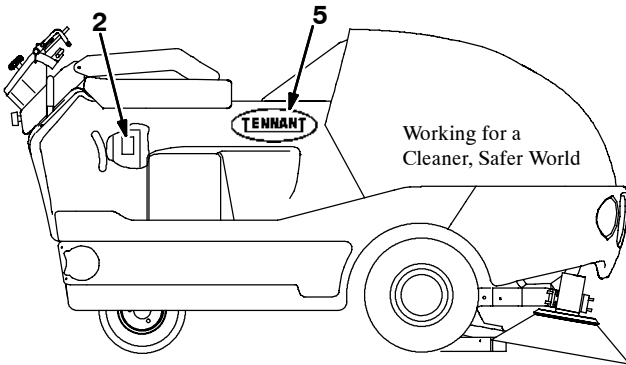
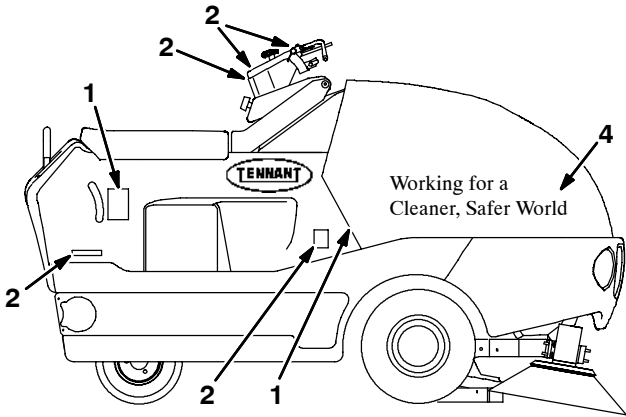
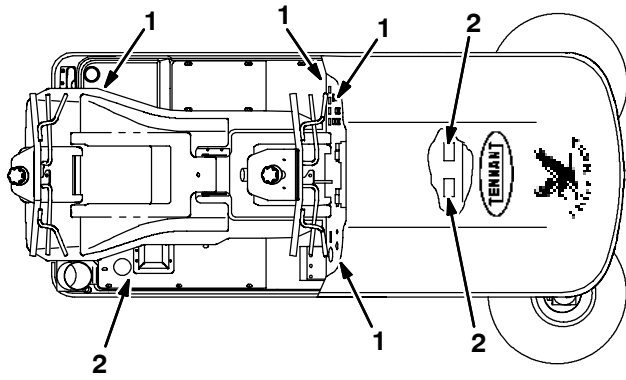
Fig. 49 - Wire Harness Group, Fuel Shut Off (001202-)



353115

Ref.	Tenant Part No.	Machine Serial Number	Description	Qty.
▽ 1	382924	(001202-)	Harness, Fuel Shut Off	1
▲ 2	762516	(001202-)	Fuse, 30 Amp	1

Fig. 50 - Label Group



353209 - NA

Ref.	Tennant Part No.	Machine Serial Number	Description	Qty.
1	382167	(000000-)	Kit, Label, Operational	1
2	382228	(000000-)	Kit, Label, Hazard	1
3	382387	(000000-)	Label, Litter Hawk, White	1
4	382401	(000000-)	Label, Working For A Cleaner, White	2
5	86877	(000000-)	Label, Tennant Logo	3

SECTION 3

Contents	Page
Fig. 1 - Turn Signal Kit (000000-001579)	3-2
Fig. 2 - Speaker Kit	3-4
Fig. 3 - Backup Alarm Kit	3-6
Fig. 4 - Slow Moving Vehicle Sign Kit	3-7
Fig. 5 - Foam Filled Tire Kit	3-8
Fig. 6 - Mirror Kit	3-9
Fig. 7 - Tool Box Kit	3-10
Fig. 8 - High Flow Spray Kit	3-11
Fig. 9 - Filter Cleaner Tool Kit	3-12
Fig. 10 - Fire Extinguisher Kit	3-13
Fig. 11 - Documentation Group	3-14

Fig. 1 - Turn Signal Kit (000000-001579)

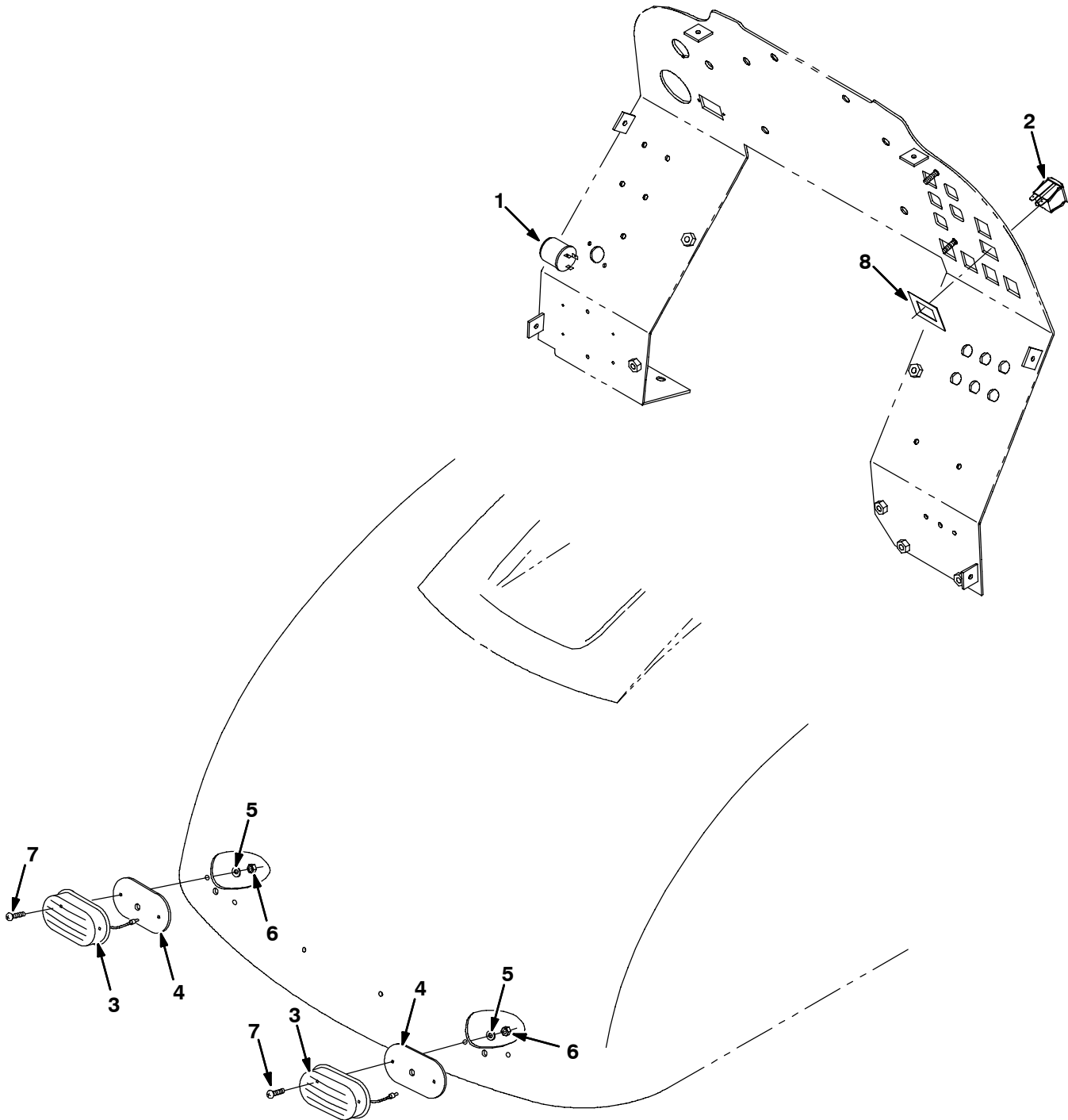


Fig. 1 - Turn Signal Kit (000000-001579)

	Ref.	Tennant Part No.	Machine Serial Number	Description	Qty.
▽		382382	(000000-001579)	Kit, Turn Signal	1
▲	1	24576	(000000-001579)	Flasher, 12V	1
▲	2	382280	(000000-001579)	Switch, Toggle	1
▲▽	3	34848	(000000-001579)	Light Assy Mark/Yel 12V	2
▲▲		87948	(000000-001579)	Bulb	1
▲	4	382459	(000000-001579)	Gasket	2
▲	5	01683	(000000-001579)	Washer Flt 10 Ss	4
▲	6	09739	(000000-001579)	Nut-Hxlocnynln M5x0.8 Reg Ss	4
▲	7	06935	(000000-001579)	Screw, Pan	2
▲	8	80326	(000000-001579)	Plate	1

Fig. 2 - Speaker Kit

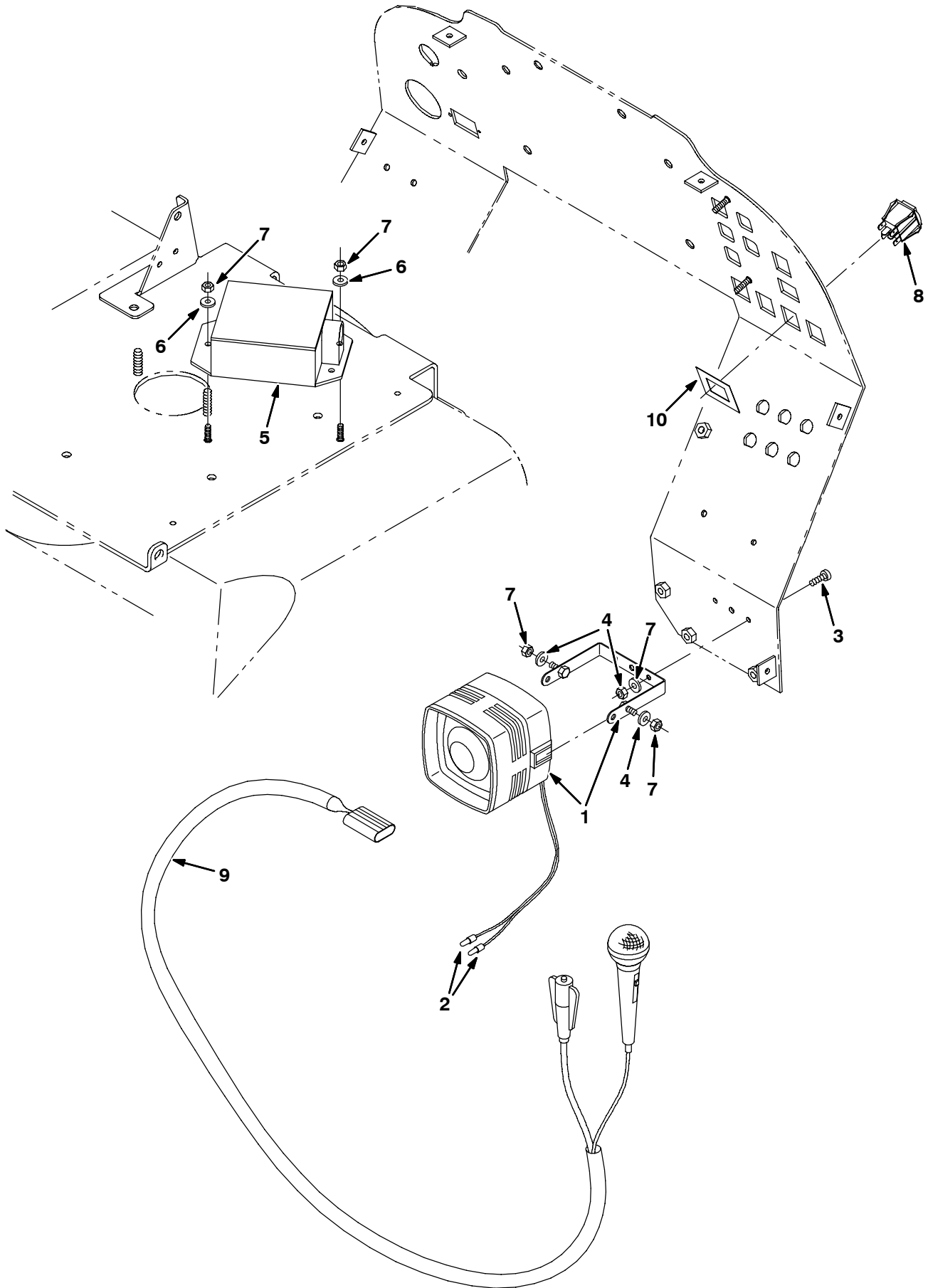
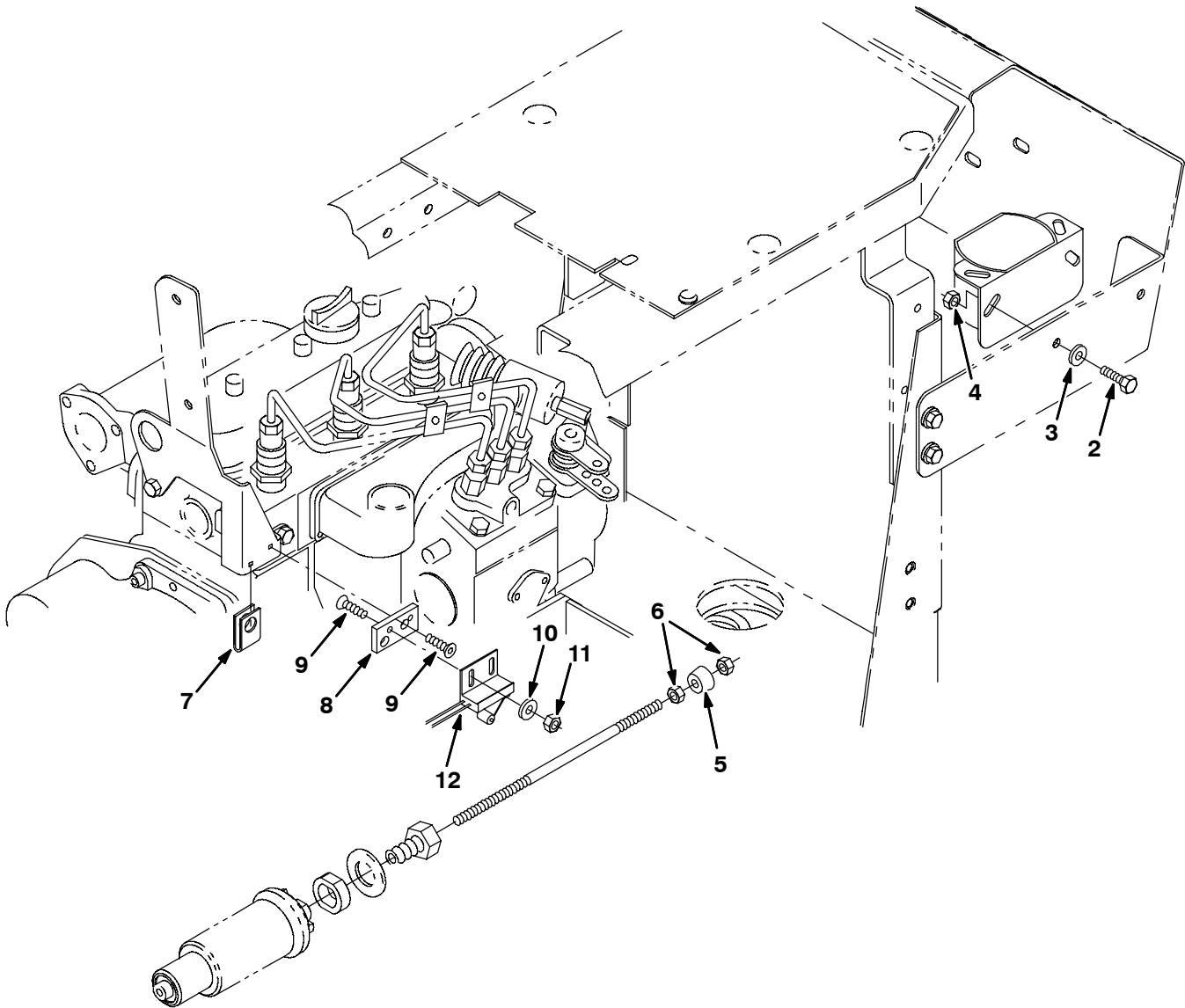


Fig. 2 - Speaker Kit

	Ref.	Tennant Part No.	Machine Serial Number	Description	Qty.
▽		382380	(000000-) Kit, Speaker	1
▲	1	381467	(000000-) Speaker	1
▲	2	55272	(000000-) Terminal, Snaplg .16M Ins 14 Ga	1
▲	3	09145	(000000-) Screw, Pan M6	2
▲	4	32483	(000000-) Washer, Flat .25	4
▲	5	382417	(000000-) Box, Voice	1
▲	6	32490	(000000-) Washer, Flat .25 Hard	2
▲	7	08708	(000000-) Nut, Hxlocnyln M6x1.0	6
▲	8	1007012	(000000-) Switch, Rocker, 125Vdc 16A Dpdt Mo/Of/Mo	1
▲	9	382418	(000000-) Switch Assembly	1
▲	10	80326	(000000-) Plate	1

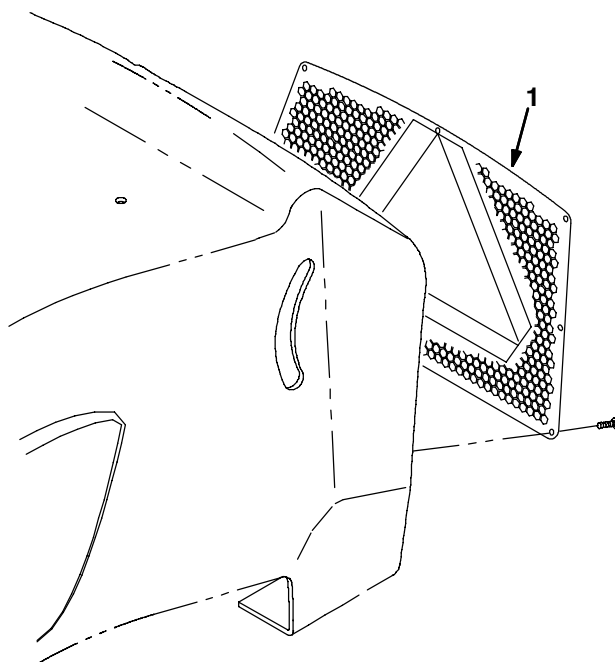
Fig. 3 - Backup Alarm Kit



353206

Ref.	Tennant Part No.	Machine Serial Number	Description	Qty.
▽	382373	(000000-)	Kit, Alarm, Audio, Backup	1
▲	1 61920	(000000-)	Horn Assy, Alarm, Backup	1
▲	2 16931	(000000-)	Screw, Hex, M08-1.25x20, 8.8	2
▲	3 39349	(000000-)	Washer, Flat, .31 Sae	2
▲	4 07791	(000000-)	Nut, Hex, Flange, M08-1.25	2
▲	5 382626	(000000-)	Guide	1
▲	6 32899	(000000-)	Nut, Hex, Jam, .25-28	2
▲	7 21630	(000000-)	U-Nut, M5-02	2
▲	8 382784	(000000-)	Spacer	1
▲	9 09043	(000000-)	Screw, Flat Hd M05-0.8x16	4
▲	10 19066	(000000-)	Washer, Flat #10	2
▲	11 06549	(000000-)	Nut, Nylock, M5-08	2
▲	12 367404	(000000-)	Switch Assy, Roler No	1

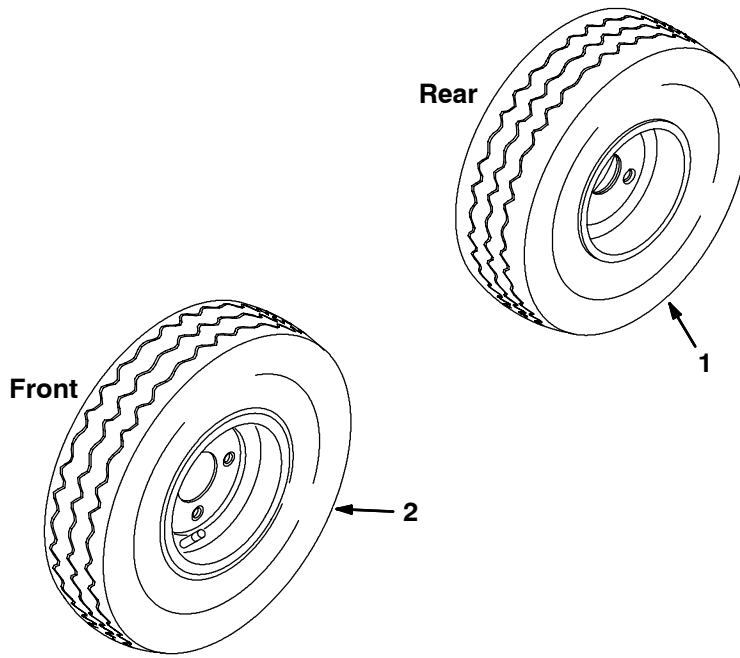
Fig. 4 - Slow Moving Vehicle Sign Kit



383124

Ref.	Tennant Part No.	Machine Serial Number	Description	Qty.
▽	382378	(000000-) Kit, Sign, Slow Moving Vehicle	1
▲	1 382404	(000000-) Grill, Rear	1

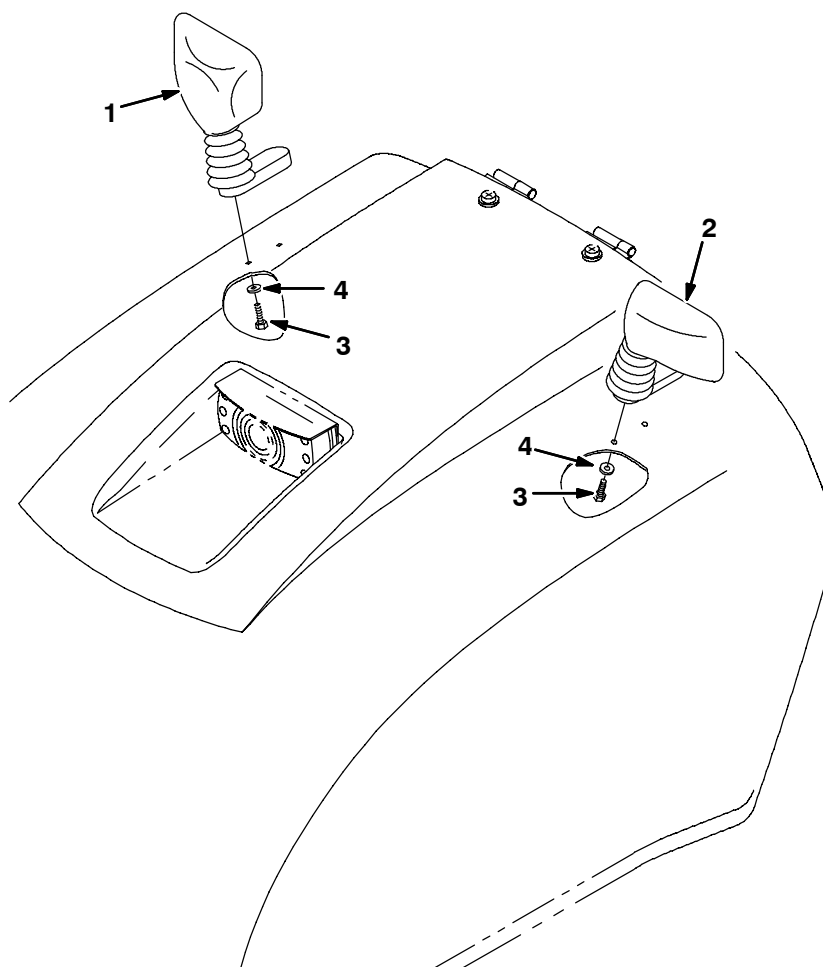
Fig. 5 - Foam Filled Tire Kit



353128

Ref.	Tennant Part No.	Machine Serial Number	Description	Qty.
▽	382987	(000000-) Kit, Tire, Foam Filled	1
▲	1 381918	(000000-) Wheel Assy, Foam-filled, 6 x 3.25	2
▲	2 382981	(000000-) Wheel Assy, 4.80 X 8, 6 Ply, [Soft Foam]	2

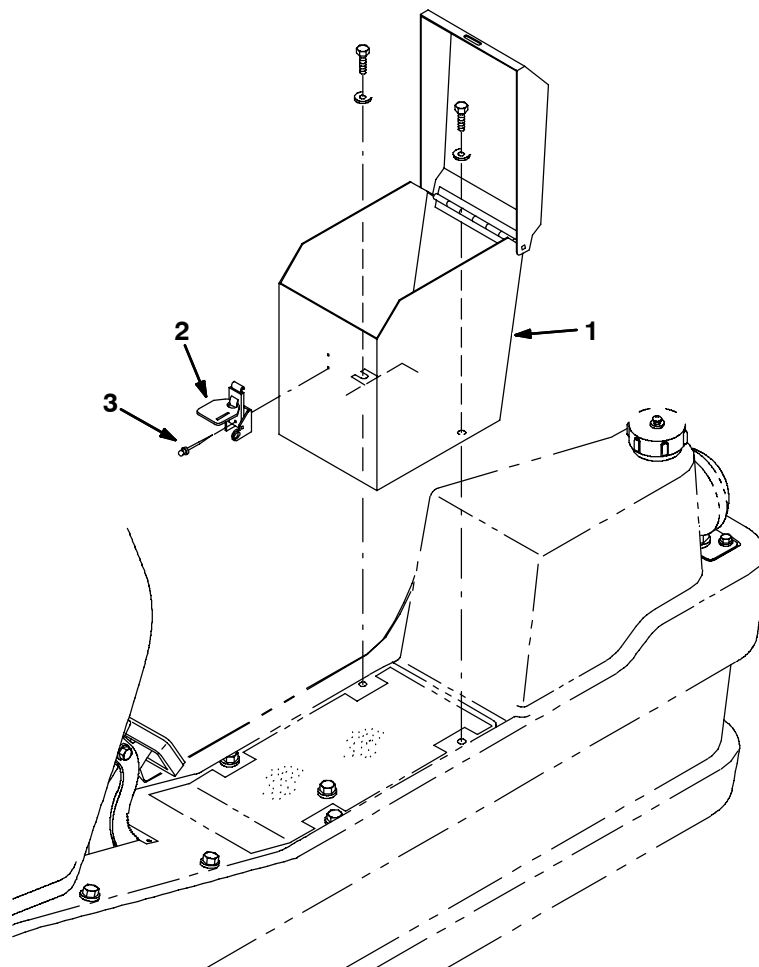
Fig. 6 - Mirror Kit



353129

Ref.	Tennant Part No.	Machine Serial Number	Description	Qty.
▽	382375	(000000-) Kit, Mirror	1
▲	1 381775	(000000-) Mirror, Rh	1
▲	2 381776	(000000-) Mirror, Lh	1
▲	3 09164	(000000-) Screw, Pan M06	4
▲	4 08708	(000000-) Nut, Hex M06	4

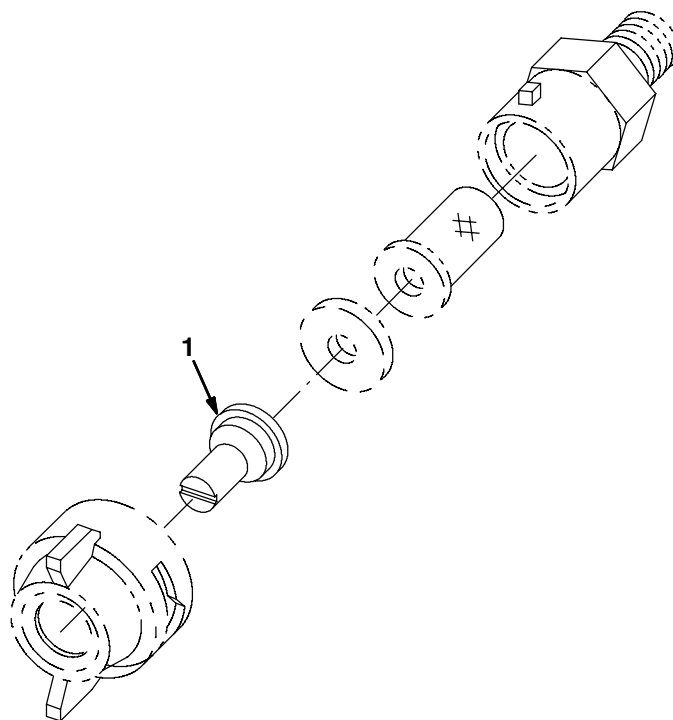
Fig. 7 - Tool Box Kit



353129

Ref.	Tennant Part No.	Machine Serial Number	Description	Qty.
▽	382854	(000000-) Kit, Box, Storage	1
▲	1 382799	(000000-) Box Wldt, Storage, Lockable	1
▲	2 367949	(000000-) Latch	1
▲	3 08875	(000000-) Rivet, Pop	2

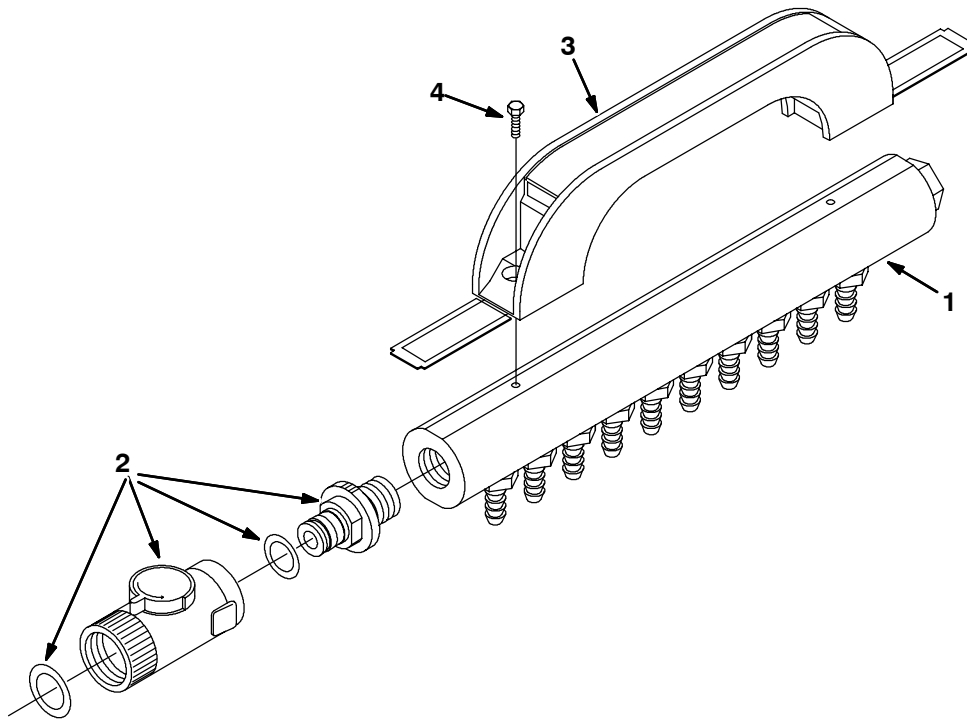
Fig. 8 - High Flow Spray Kit



353205

Ref.	Tennant Part No.	Machine Serial Number	Description	Qty.
▽	382684	(000000-) Kit, Spray, High Flow	1
▲	1 382605	(000000-) Nozzle, Spray, .033 Orifice	2

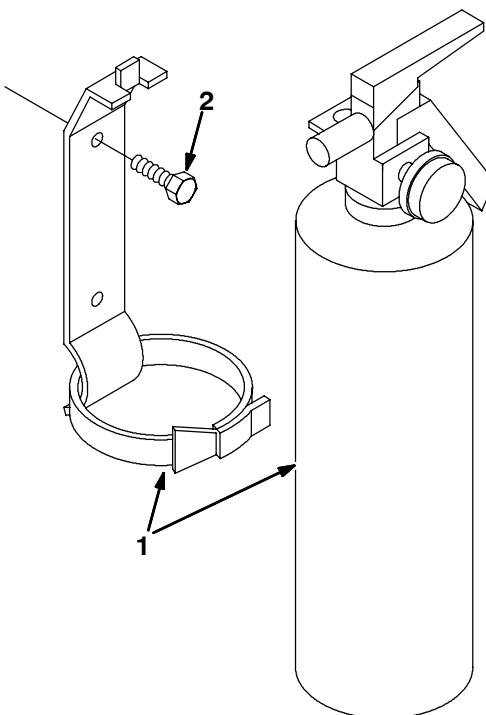
Fig. 9 - Filter Cleaner Tool Kit



353205

Ref.	Tennant Part No.	Machine Serial Number	Description	Qty.
▽	382985	(000000-) Tool Assy, Filter Cleaning, [Litterhawk]	1
▲ 1	382988	(000000-) Manifold, Water, Filter Cleaner, [Hawk]	1
▲ 2	382991	(000000-) Valve, Flow Control, Hose Adapter	1
▲ 3	381962	(000000-) Handle, Container	1
▲ 4	383000	(000000-) Screw, Hex #12-16 X 0.75, [F/Plastic]	2

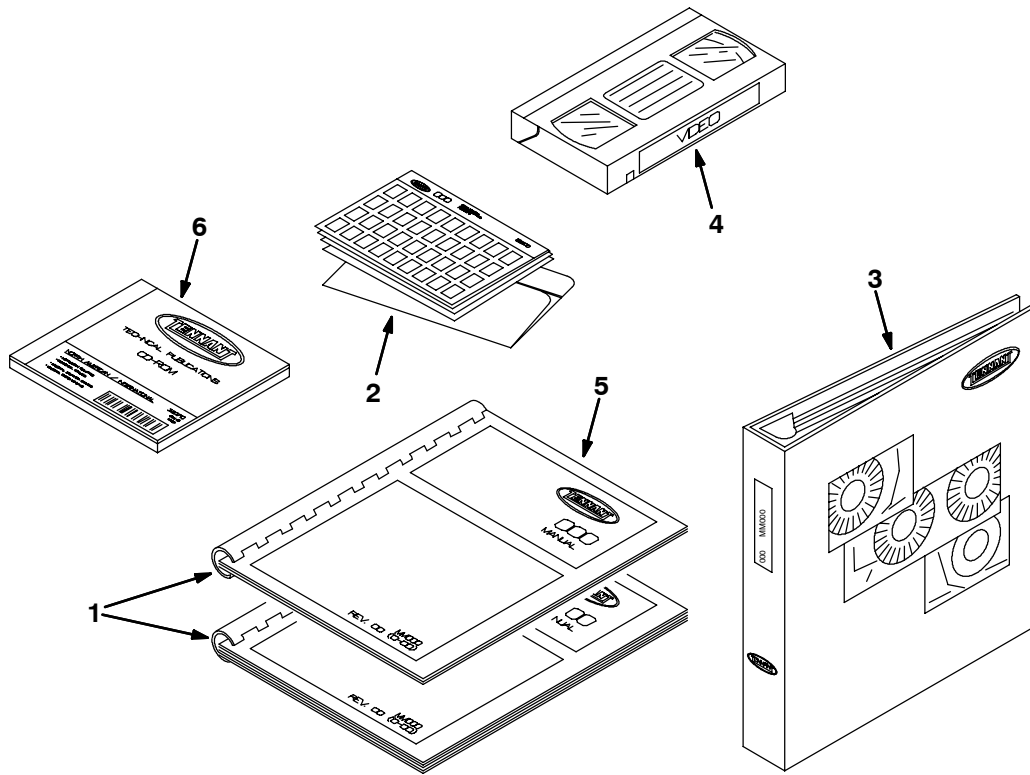
Fig. 10 - Fire Extinguisher Kit



353126

	Ref.	Tennant Part No.	Machine Serial Number	Description	Qty.
∇		382371	(000000-) Kit, Extinguisher, Fire	1
▲	1	25312	(000000-) Extinguisher, Fire	1
▲	2	361339	(000000-) Screw, Hex 6x1.0 16 Pltd	2

Fig. 11 - Documentation Group



07501

Ref.	Tennant Part No.	Machine Serial Number	Description	Qty.
1	330470	(000000-)	Manual Pkg, Litter Hawk™ Diesel	1
1	330474	(000000-)	Manual Pkg, Litter Hawk™ Jp	1
2	330471	(000000-)	Manual, Fiche, Litter Hawk™ Diesel	1
3	330455	(000000-)	Manual, Service, Litter Hawk™	1
4	382618	(000000-)	Video, Operation Litter Hawk™	1
5	330472	(000000-)	Manual, Oprtr, Litter Hawk™ I Es Na	1
5	330473	(000000-)	Manual, Oprtr, Litter Hawk™ Fr Na	1
6	330710	(000000-)	Manual, CD-ROM, Oprtn &Parts, All [NA]	1
6	330715	(000000-)	Manual, CD-ROM, Service All	1

SECTION 4

Contents	Page
Fig. 1 - Hydraulic Piston Pump Breakdown, 381830	4-2
Fig. 2 - Hydraulic Piston Pump Breakdown, 373388	4-4
Fig. 3 - Hydraulic Piston Pump Breakdown, 373426	4-6
Fig. 4 - Hydraulic Gear Pump Breakdown, 364102	4-8
Fig. 5 - Hydraulic Gear Motor Breakdown, 381843	4-9
Fig. 6 - Hydraulic Gear Motor Breakdown, 381841	4-10
Fig. 7 - Hydraulic Motor Breakdown, 379607	4-11
Fig. 8 - Hydraulic Valve Breakdown, 381845	4-12
Fig. 9 - Front Brake Breakdowns, 381433 and 381434	4-14

Fig. 1 - Hydraulic Piston Pump Breakdown, 381830

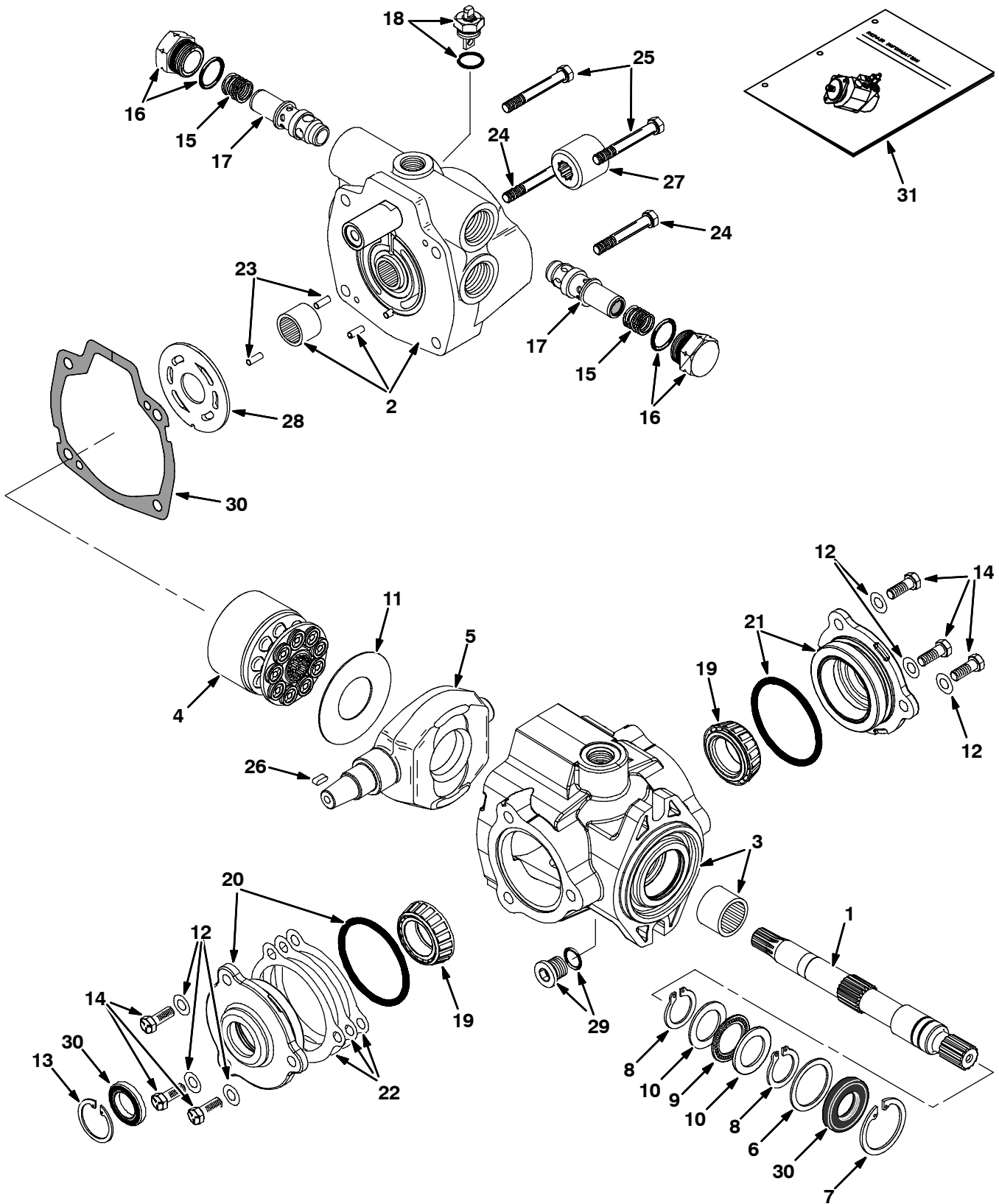


Fig. 1 - Hydraulic Piston Pump Breakdown, 381830

	Ref.	Tennant Part No.	Manufacturer Serial Number	Description	Qty.
▽		381830	(000000-) Pump, Hyd Piston	1
▲	1	21925	(000000-) Shaft, Drive	1
▲	2	373345	(000000-) Backplate	1
▲	3	373303	(000000-) Housing	1
▲	4	21963	(000000-) Rotating Kit	1
▲	5	373304	(000000-) Plate, Cam	1
▲	6	70096	(000000-) Washer	1
▲	7	55926	(000000-) Ring, Retaining	1
▲	8	55925	(000000-) Ring, Retaining	2
▲	9	74225	(000000-) Bearing, Thrust	1
▲	10	74226	(000000-) Race, Bearing	2
▲	11	373327	(000000-) Insert, Plate	1
▲	12	373225	(000000-) Washer	6
▲	13	373308	(000000-) Ring, Retaining	1
▲	14	373346	(000000-) Screw, Cap	6
▲	15	74229	(000000-) Spring	2
▲	16	74230	(000000-) Plug	2
▲	17	373349	(000000-) Valve Assy, Relief	2
▲	18	373305	(000000-) Valve, Bypass	1
▲	19	373317	(000000-) Bearing, Cone	2
▲	20	373309	(000000-) Plate, Cover	1
▲	21	373310	(000000-) Plate, Cover	1
▲	22	373306	(000000-) Shim Kit, Pump	1
▲	23	70100	(000000-) Pin, Dowel	2
▲	24	373347	(000000-) Screw, Cap	2
▲	25	373348	(000000-) Screw, Cap	2
▲	26	74237	(000000-) Key	1
▲	27	71721	(000000-) Coupler, Hyd Pump	1
▲	28	74180	(000000-) Plate, Valve	1
▲	29	13907	(000000-) Plug	1
▲	30	373307	(000000-) Seal Kit	1
▲	31	373311	(000000-) Repair Info, Pump	1

Fig. 2 - Hydraulic Piston Pump Breakdown, 373388

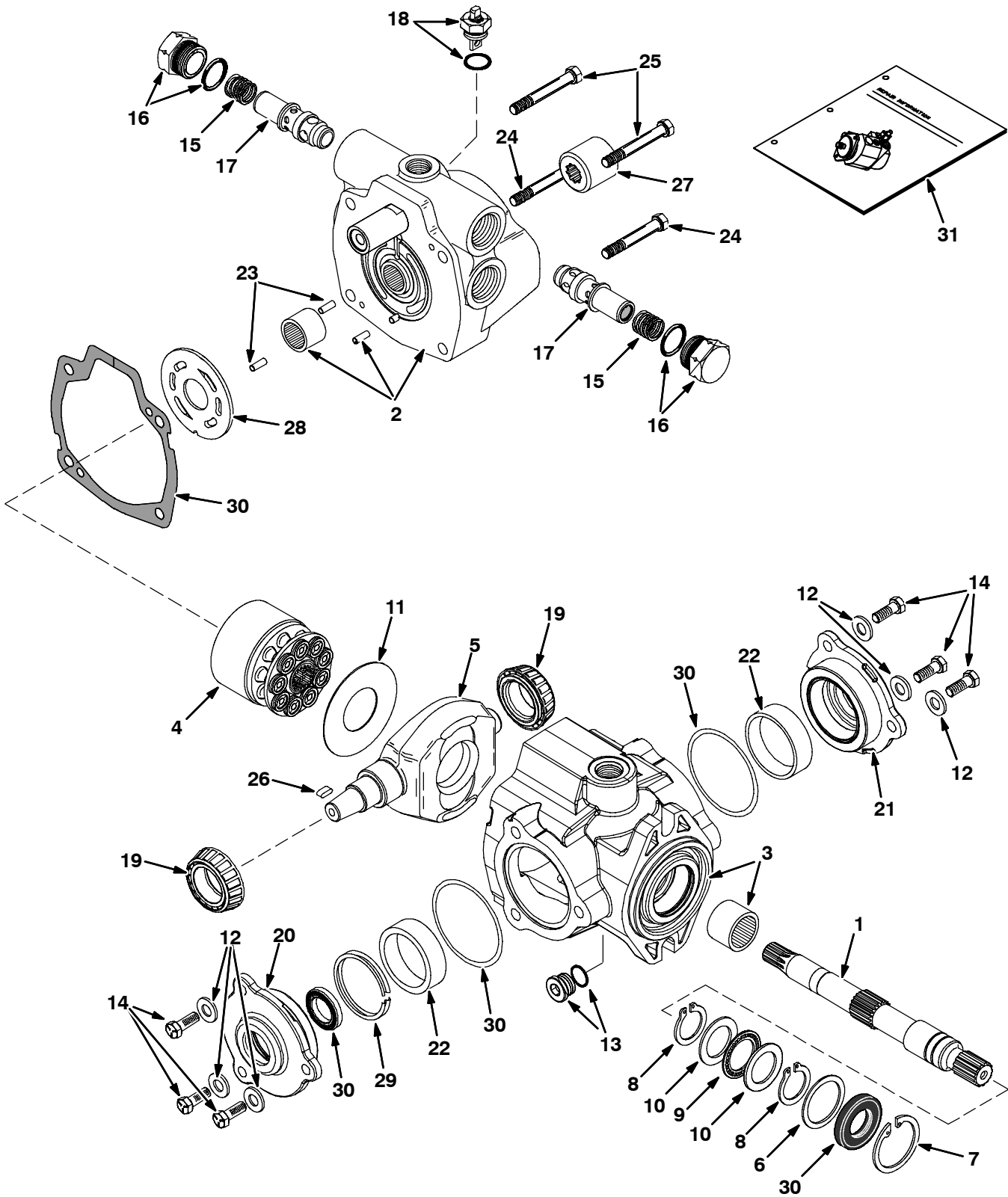


Fig. 2 - Hydraulic Piston Pump Breakdown, 373388

	Ref.	Tennant Part No.	Manufacturer Serial Number	Description	Qty.
▽		373388	(000000-) Pump, Hyd Piston	1
▲	1	21925	(000000-) Shaft, Drive	1
▲	2	373345	(000000-) Backplate	1
▲	3	373389	(000000-) Housing	1
▲	4	21963	(000000-) Rotating Kit	1
▲	5	373390	(000000-) Plate, Cam	1
▲	6	70096	(000000-) Washer	1
▲	7	55926	(000000-) Ring, Retaining	1
▲	8	55925	(000000-) Ring, Retaining	2
▲	9	74225	(000000-) Bearing, Thrust	1
▲	10	74226	(000000-) Race, Bearing	2
▲	11	373327	(000000-) Insert, Plate	1
▲	12	373391	(000000-) Washer	6
▲	13	13907	(000000-) Plug	1
▲	14	373346	(000000-) Screw, Cap	6
▲	15	373392	(000000-) Spring	2
▲	16	74230	(000000-) Plug	2
▲	17	373349	(000000-) Valve Assy, Relief	2
▲	18	373305	(000000-) Valve, Bypass	1
▲	19	373317	(000000-) Bearing, Cone	2
▲	20	373393	(000000-) Plate, Cover	1
▲	21	373394	(000000-) Plate, Cover	1
▲	22	373395	(000000-) Cup, Bearing	1
▲	23	70100	(000000-) Pin, Dowel	2
▲	24	373347	(000000-) Screw, Cap	2
▲	25	373348	(000000-) Screw, Cap	2
▲	26	74237	(000000-) Key	1
▲	27	71721	(000000-) Coupler, Hyd Pump	1
▲	28	74180	(000000-) Plate, Valve	1
▲	29	373402	(000000-) Shim Kit	1
▲	30	373398	(000000-) Seal Kit	1
▲	31	373397	(000000-) Repair Info, Pump	1

Fig. 3 - Hydraulic Piston Pump Breakdown, 373426

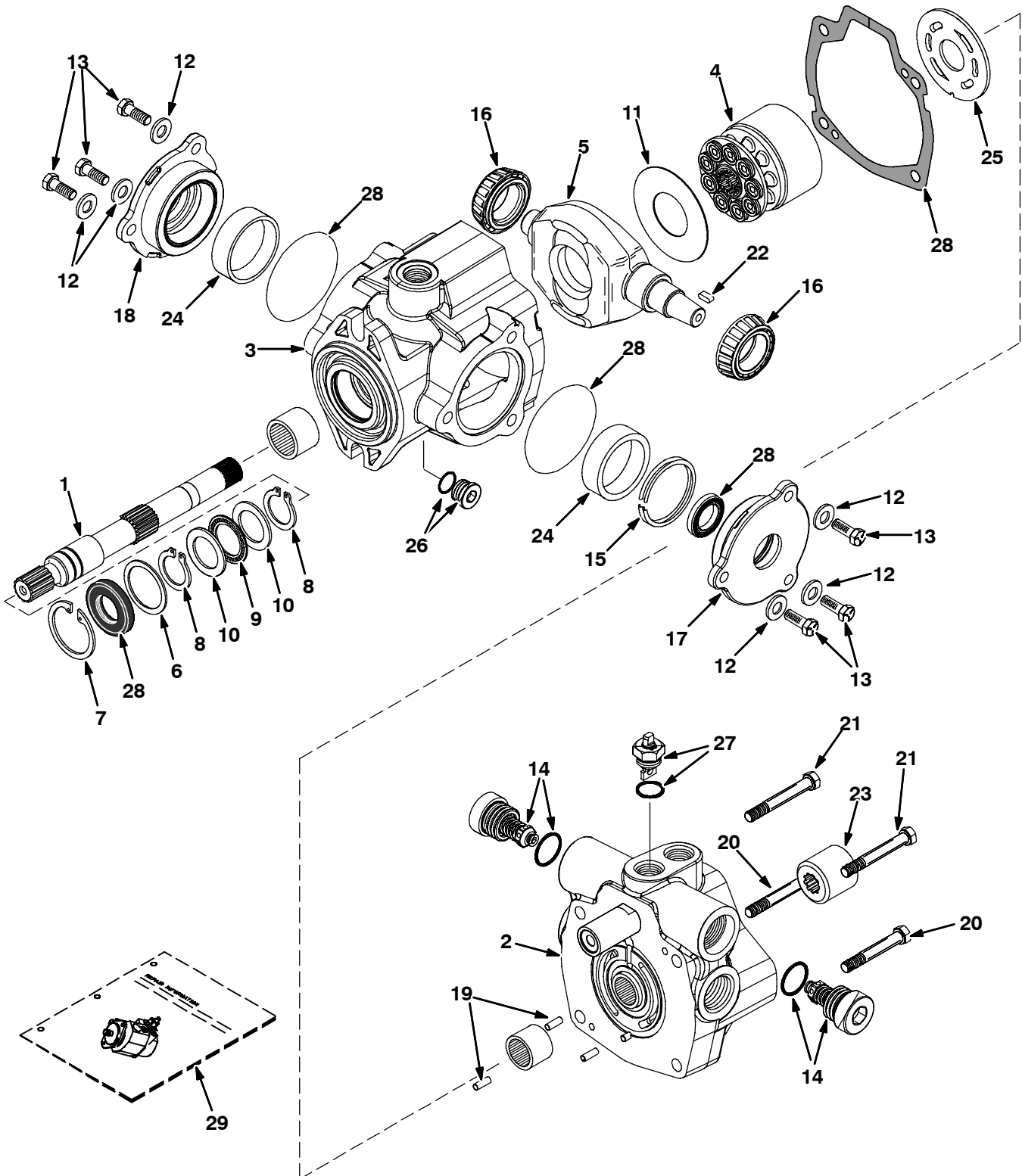
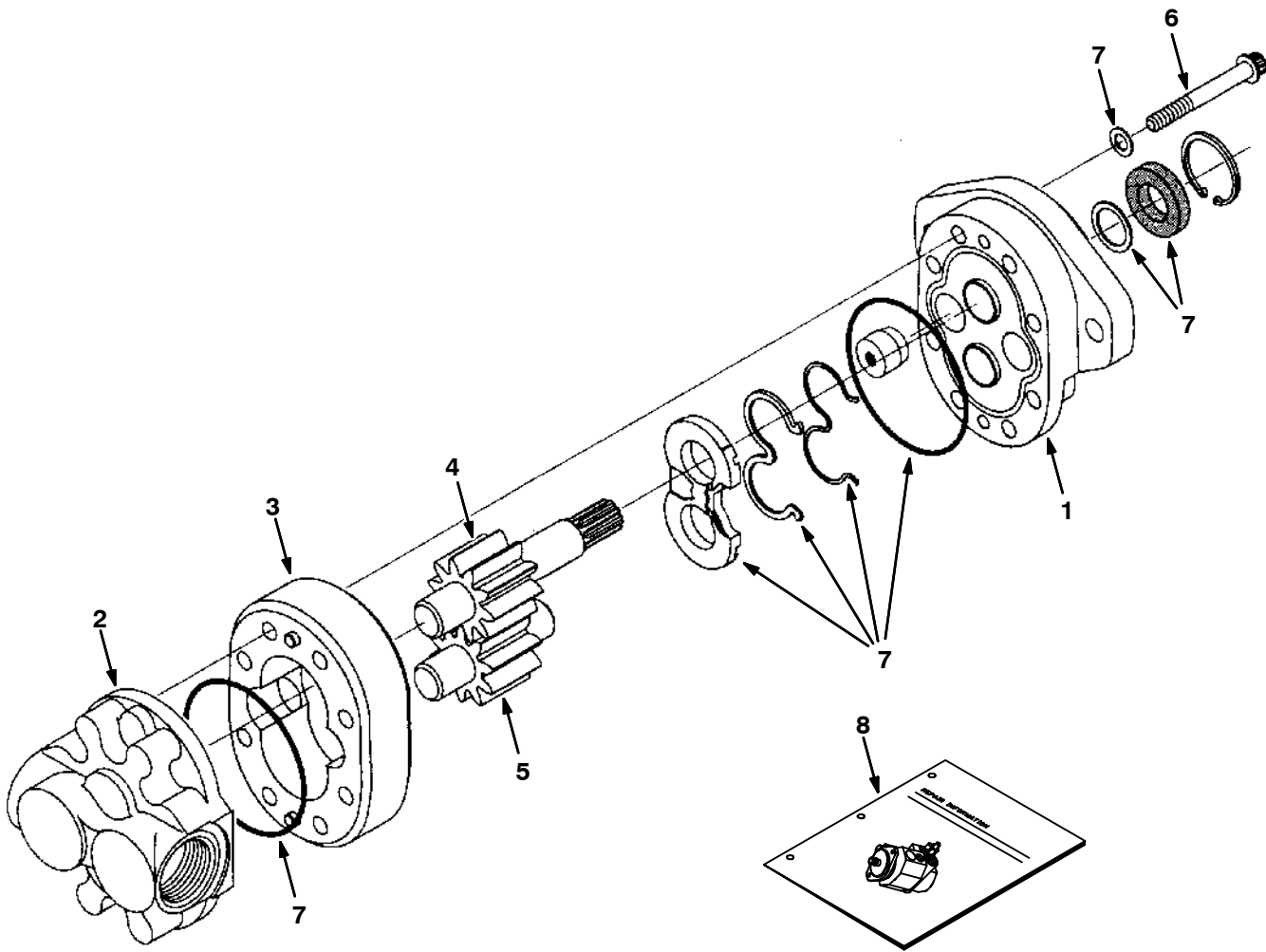


Fig. 3 - Hydraulic Piston Pump Breakdown, 373426

	Ref.	Tennant Part No.	Manufacturer Serial Number	Description	Qty.
▽		373429	(000000-) Instr, Repair, Pump	1
▲	1	21925	(000000-) Shaft, Drive	1
▲	2	373427	(000000-) Cover, End	1
▲	3	373389	(000000-) Housing	1
▲	4	21963	(000000-) Kit, Rotating, Piston, Pump, Hyd	1
▲	5	373390	(000000-) Cam	1
▲	6	70096	(000000-) Washer, Flt, Pump, Hyd	1
▲	7	55926	(000000-) Ring, Retaining, Pump, Hyd	1
▲	8	373434	(000000-) Ring, Retaining	2
▲	9	74225	(000000-) Bearing, Thrust, Pump, Hyd	1
▲	10	74226	(000000-) Race, Bearing, Pump, Hyd	2
▲	11	373327	(000000-) Insert, Plate, Cam, Pump, Hyd	1
▲	12	373391	(000000-) Washer, Pump, Hyd	6
▲	13	373346	(000000-) Screw, Cap	6
▲	14	373428	(000000-) Valve, Relief, 2000 Psi	2
▲	15	373402	(000000-) Shim Kit	1
▲	16	373317	(000000-) Bearing, Cone, Pump, Hyd	2
▲	17	373393	(000000-) Plate, Cover	1
▲	18	373394	(000000-) Plate, Cover	1
▲	19	70100	(000000-) Pin, Dowel, Pump, Hyd	2
▲	20	373347	(000000-) Screw, Cap	2
▲	21	373348	(000000-) Screw, Cap	2
▲	22	74237	(000000-) Key, Shaft, Pump, Hyd	1
▲	23	71721	(000000-) Coupling, Drive, 1.2d 1.5l 09tooth	1
▲	24	373395	(000000-) Bearing, Cup	2
▲	25	74180	(000000-) Plate, Valve, Pump, Hyd	1
▲	26	13907	(000000-) Fitting, Plug, O-Ring	1
▲	27	373413	(000000-) Actuator, Valve, Bypass [113393-001]	1
▲	28	373398	(000000-) Kit, Seal, Hyd, Pump	1
▲	29	373429	(000000-) Instr, Repair, Pump	1

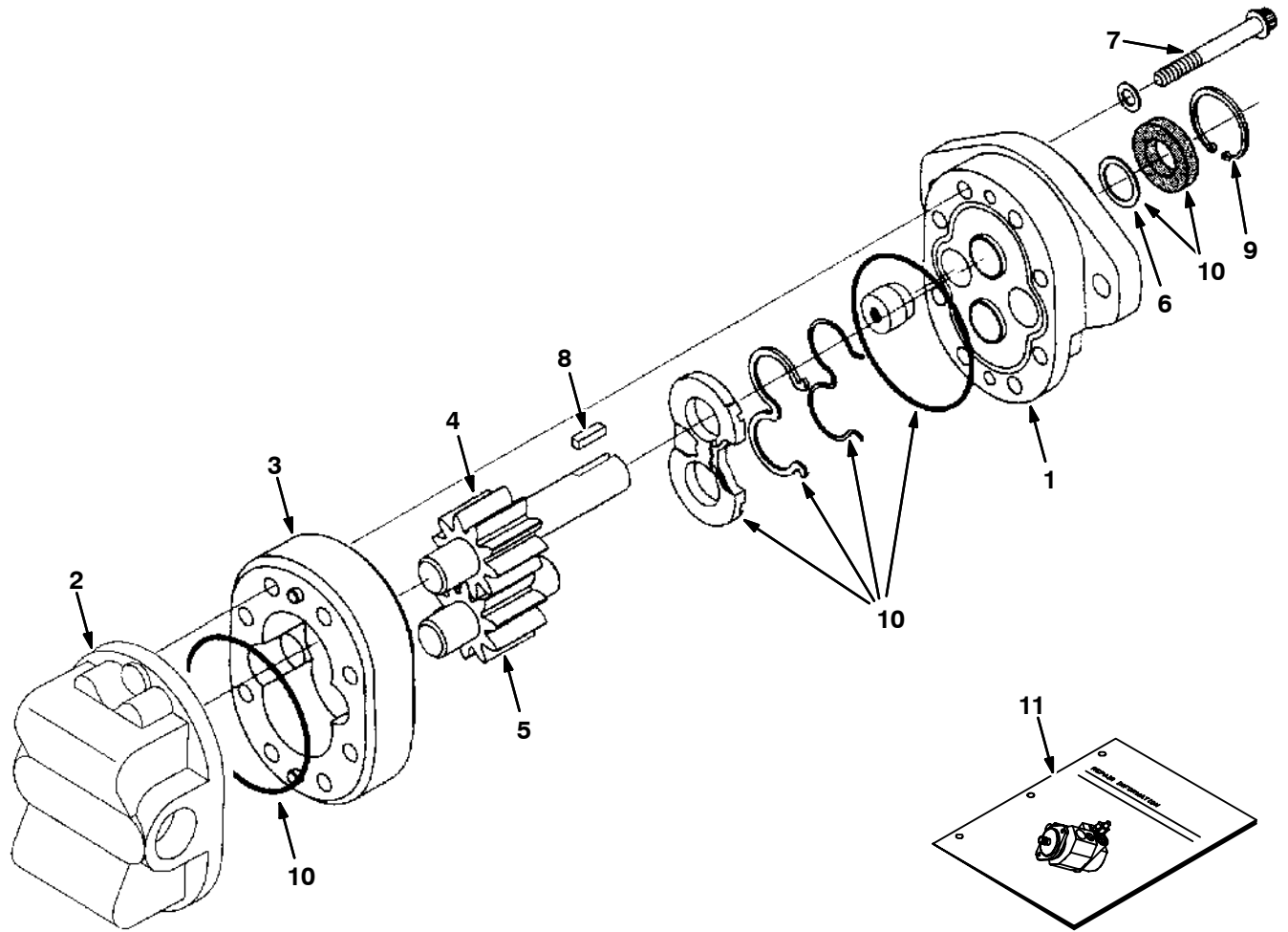
Fig. 4 - Hydraulic Gear Pump Breakdown, 364102



351596-09670

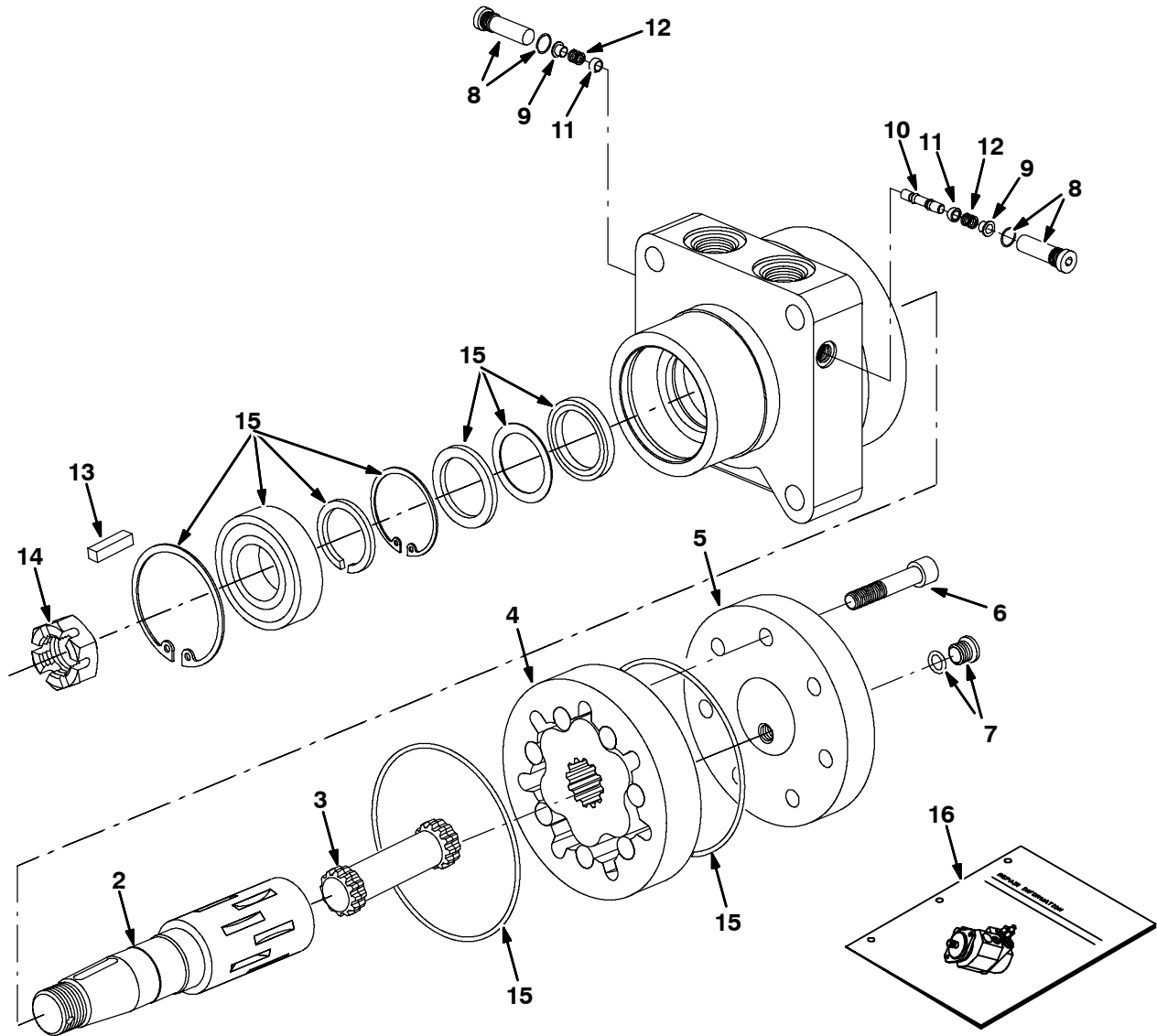
Ref.	Tennant Part No.	Manufacturer Serial Number	Description	Qty.
▽	364102	(000000-) Pump, Hyd Gear	1
▲	1 373201	(000000-) Frontplate Assy	1
▲	2 373202	(000000-) Backplate Assy	1
▲	3 373203	(000000-) Body Assembly	1
▲	4 373204	(000000-) Drive Gear Assy	1
▲	5 373205	(000000-) Idler Gear Assy	1
▲	6 373206	(000000-) Screw, Cap	8
▲	7 373208	(000000-) Seal Kit, Pump	1
▲	8 373207	(000000-) Repair Info,Pmp	1

Fig. 5 - Hydraulic Gear Motor Breakdown, 381843



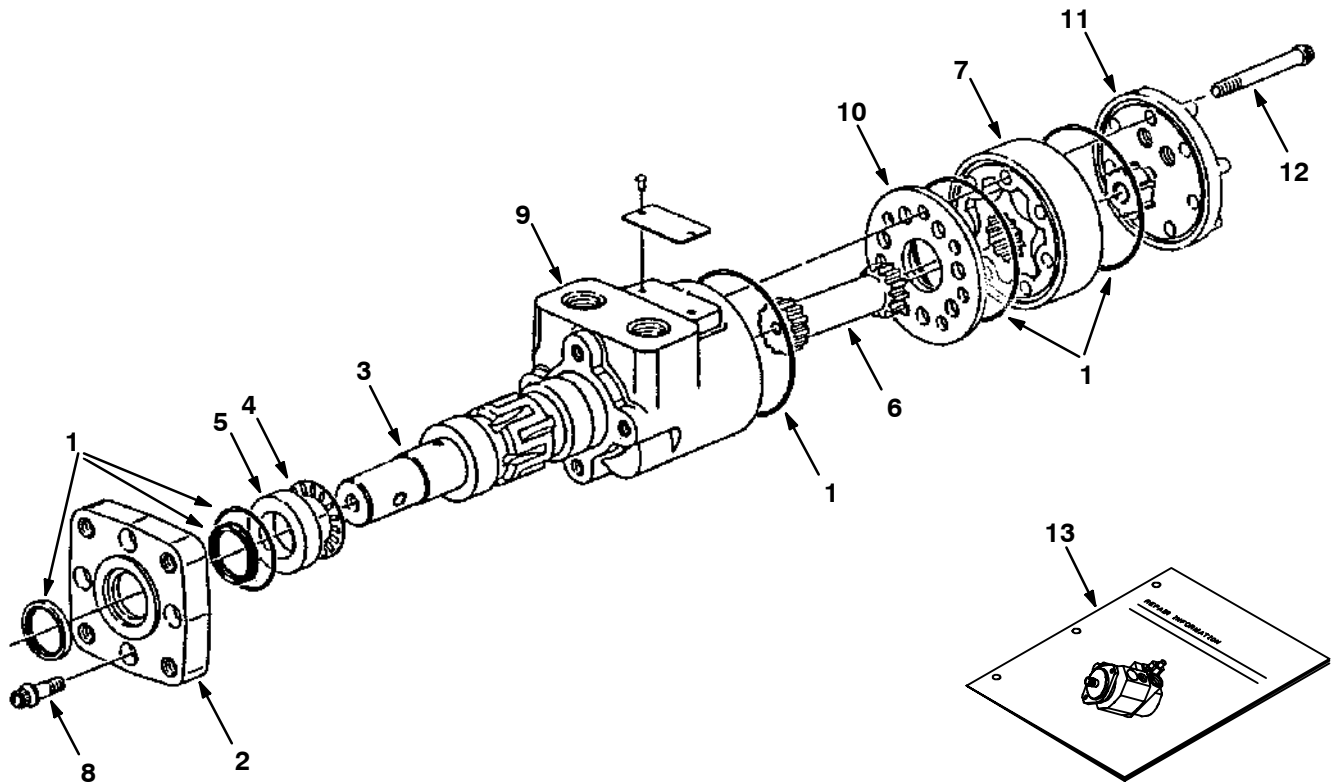
Ref.	Tennant Part No.	Manufacturer Serial Number	Description	Qty.	
▽	381843	(000000-) Motor, Hyd Gear	1	
▲	1	373350	(000000-) Frontplate Assy	1
▲	2	373351	(000000-) Backplate Assy	1
▲	3	373285	(000000-) Housing	1
▲	4	373352	(000000-) Drive Gear Assy	1
▲	5	373353	(000000-) Idler Gear Assy	1
▲	6	373234	(000000-) Washer	1
▲	7	373354	(000000-) Screw, Cap	8
▲	8	373355	(000000-) Key	1
▲	9	373356	(000000-) Ring, Retaining	1
▲	10	373208	(000000-) Seal Kit, Pump	1
▲	11	373207	(000000-) Repair Info,Pmp	1

Fig. 6 - Hydraulic Gear Motor Breakdown, 381841



Ref.	Tenant Part No.	Manufacturer Serial Number	Description	Qty.	
▽	381841	(000000-) Motor, Hyd, Gear, [In] 07.7 B 2000	1	
▲	1	373377	(000000-) Housing	1
▲	2	373378	(000000-) Shaft, Output	1
▲	3	373379	(000000-) Drive, Main	1
▲	4	373380	(000000-) Geroler S/A	1
▲	5	373381	(000000-) Cap, End	1
▲	6	373384	(000000-) Screw, Cap	7
▲	7	74098	(000000-) Plug, O-Ring	1
▲	8	373382	(000000-) Plug S/A	2
▲	9	373236	(000000-) Sleeve, Dashpot	2
▲	10	373217	(000000-) Piston	1
▲	11	373226	(000000-) Poppet	1
▲	12	373291	(000000-) Spring	2
▲	13	373383	(000000-) Key	1
▲	14	38490	(000000-) Nut	1
▲	15	373386	(000000-) Kit, Seal, Motor, Hyd	1
▲	16	373385	(000000-) Repair Info, Motor, Hyd	1

Fig. 7 - Hydraulic Motor Breakdown, 379607



08926-09670

Ref.	Tennant Part No.	Manufacturer Serial Number	Description	Qty.
▽	379607	(000000-) Motor, Hydraulic	1
▲	1 22654	(000000-) Seal Kit	1
▲	2 31354	(000000-) Flange, Mounting	1
▲	3 31373	(000000-) Output Shaft	1
▲	4 45628	(000000-) Bearing Thrust	1
▲	5 16695	(000000-) Race, Thrust	1
▲	6 31380	(000000-) Drive	1
▲	7 31385	(000000-) Gerotor Set	1
▲	8 37555	(000000-) Screw	4
▲	9 74100	(000000-) Housing	1
▲	10 74094	(000000-) Spacer Plate	1
▲	11 74101	(000000-) End Cap	1
▲	12 65232	(000000-) Screw, Cap	5
	13 74250	(000000-) Repair Info.	1

Fig. 8 - Hydraulic Valve Breakdown, 381845

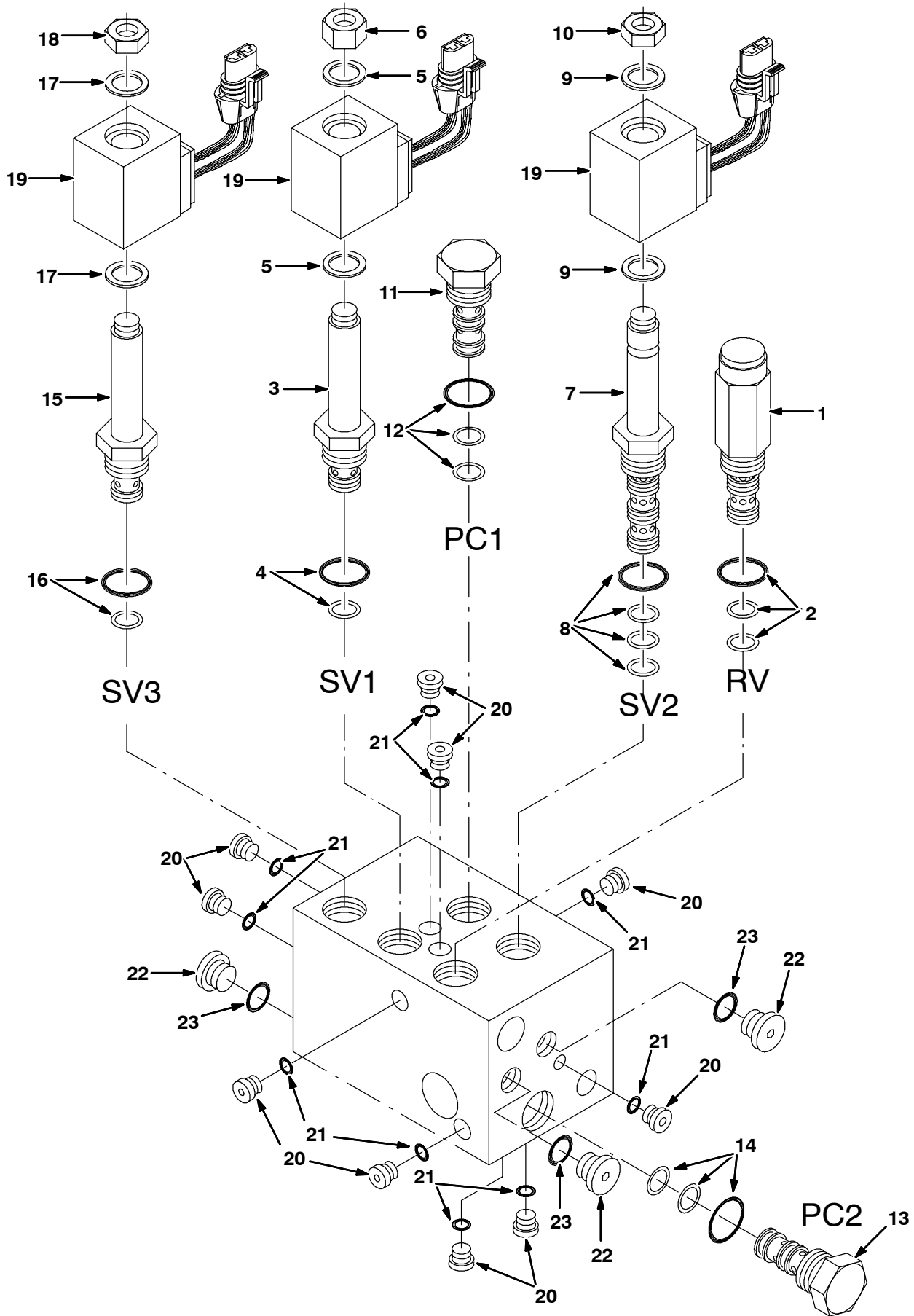


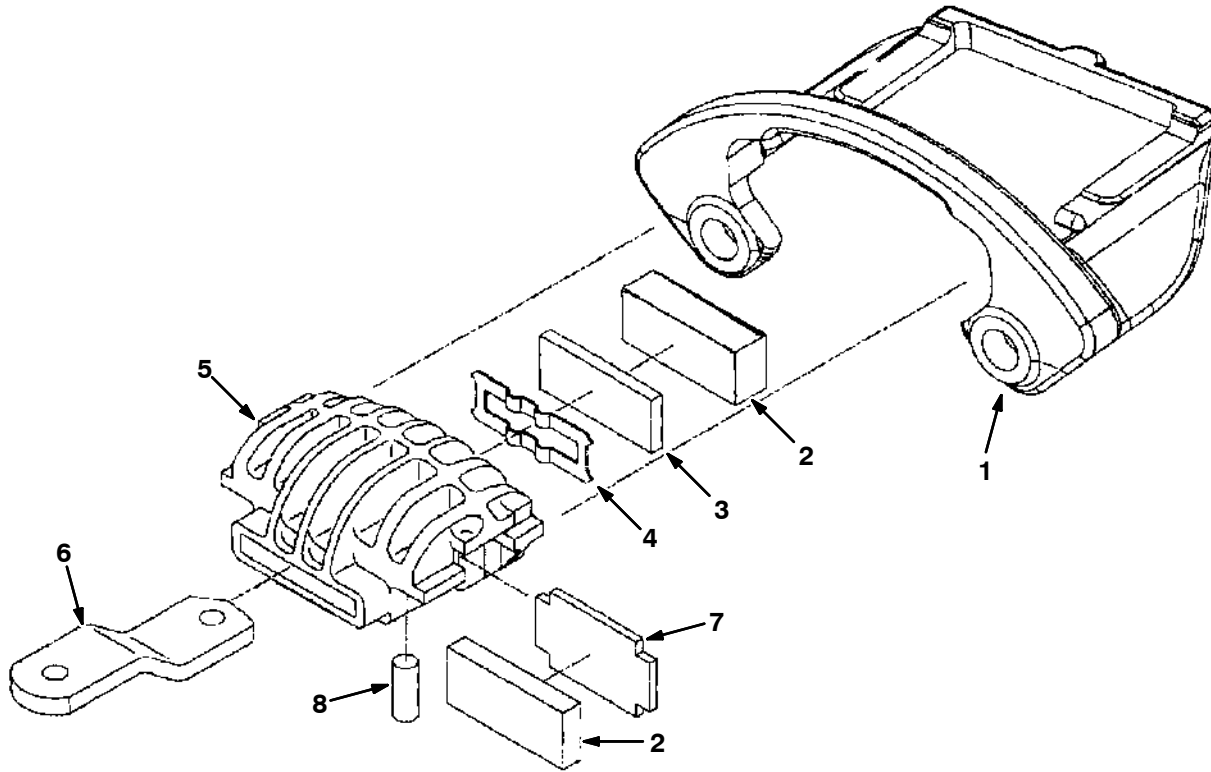
Fig. 8 - Hydraulic Valve Breakdown, 381845

Ref.	Tennant Part No.	Manufacturer Serial Number	Description	Qty.
▽	381845	(000000-) Valve, Hyd Solenoid	1
▲▽	1 65240	(000000-) Cartridge	1
▲▲	2 79711	(000000-) Seal Kit, Cartridge	1
▲▽	3 79739	(000000-) Valve Stem	1
▲▲	4 79711	(000000-) Seal Kit, Cartridge	1
▲▲	5 79740	(000000-) Seal Kit, Coil	1
▲▲	6 79731	(000000-) Nut, Long	1
▲▽	7 79719	(000000-) Valve Stem	1
▲▲	8 79711	(000000-) Seal Kit, Cartridge	1
▲▲	9 79740	(000000-) Seal Kit, Coil	1
▲▲	10 79728	(000000-) Nut, Short	1
▲▽	11 74145	(000000-) Cartridge, Pilot Control	1
▲▲	12 79711	(000000-) Seal Kit, Cartridge	1
▲▽	13 21932	(000000-) Cartridge, Pilot Check	1
▲▲	14 79711	(000000-) Seal Kit, Cartridge	1
▲▽	15 79716	(000000-) Valve Stem	1
▲▲	16 79711	(000000-) Seal Kit, Cartridge	1
▲▲	17 79740	(000000-) Seal Kit, Coil	1
▲▲	18 79728	(000000-) Nut, Short	1
▲	19 21916	(000000-) Coil, 12V	3
▲▽	20 13902	(000000-) Plug, #2	10
▲▲	21 77001	(000000-) Seal, O-ring	1
▲▽	22 74098	(000000-) Plug, #4	3
▲▲	23 77003	(000000-) Seal, O-ring	1

BREAKDOWNS

Fig. 9 - Front Brake Breakdowns, 381433 and 381434

NOTE: The repair parts are the same for the Left Brake, 381433 and for the Right Brake, 381434.



Ref.	Tennant Part No.	Manufacturer Serial Number	Description	Qty.
1	385997	(000000-) Bracket	1
2	370914	(000000-) Kit, Brake Pad	1
3	370915	(000000-) Support, Pad	1
4	370916	(000000-) Spring, Lever Ret	1
5	370917	(000000-) Housing	1
6	385998	(000000-) Cam	1
7	370919	(000000-) Support, Pad	1
8	370921	(000000-) Pin, Pivot	1

SECTION 5

Contents	Page
Fig. 1 - Crankcase Group	5-2
Fig. 2 - Oil Pan Group	5-4
Fig. 3 - Cylinder Head Group	5-5
Fig. 4 - Head Cover Group	5-6
Fig. 5 - Gear Case Group	5-8
Fig. 6 - Camshaft Group	5-10
Fig. 7 - Main Bearing Case Group	5-12
Fig. 8 - Piston and Crankshaft Group	5-14
Fig. 9 - Fuel Camshaft Group	5-16
Fig. 10 - Injection Pump Group	5-17
Fig. 11 - Governor Group	5-18
Fig. 12 - Speed Control Plate Group	5-19
Fig. 13 - Nozzle Holder and Glow Plug Group ..	5-20
Fig. 14 - Fuel Pump Cover Group	5-21
Fig. 15 - Alternator Group	5-22
Fig. 16 - Flywheel and Starter Group	5-23
Fig. 17 - Water Flange and Thermostat Group .	5-24
Fig. 18 - Water Pump Group	5-25
Fig. 19 - Valve and Rocker Arm Group	5-26
Fig. 20 - Manifold Group	5-27

Fig. 1 - Crankcase Group

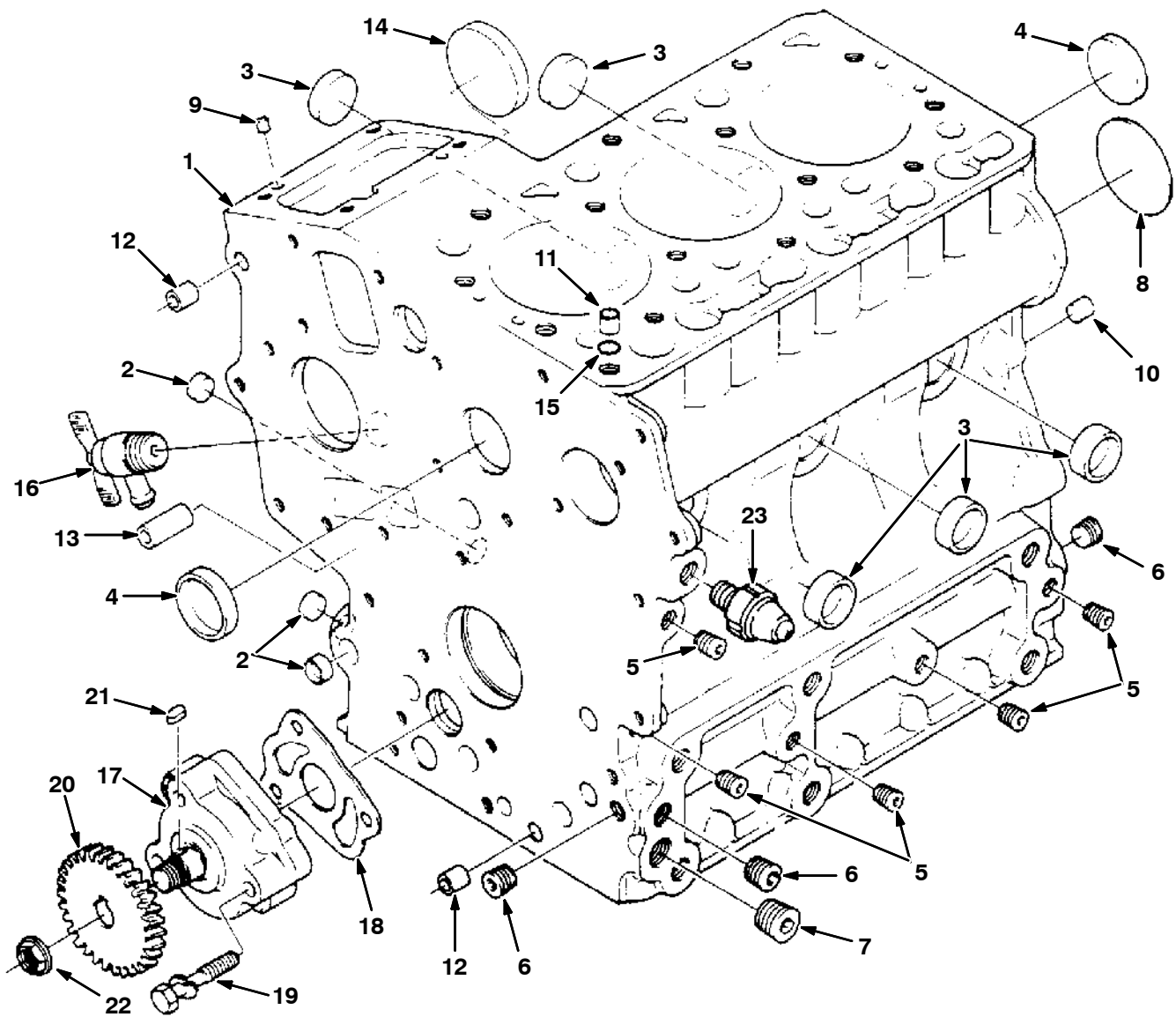
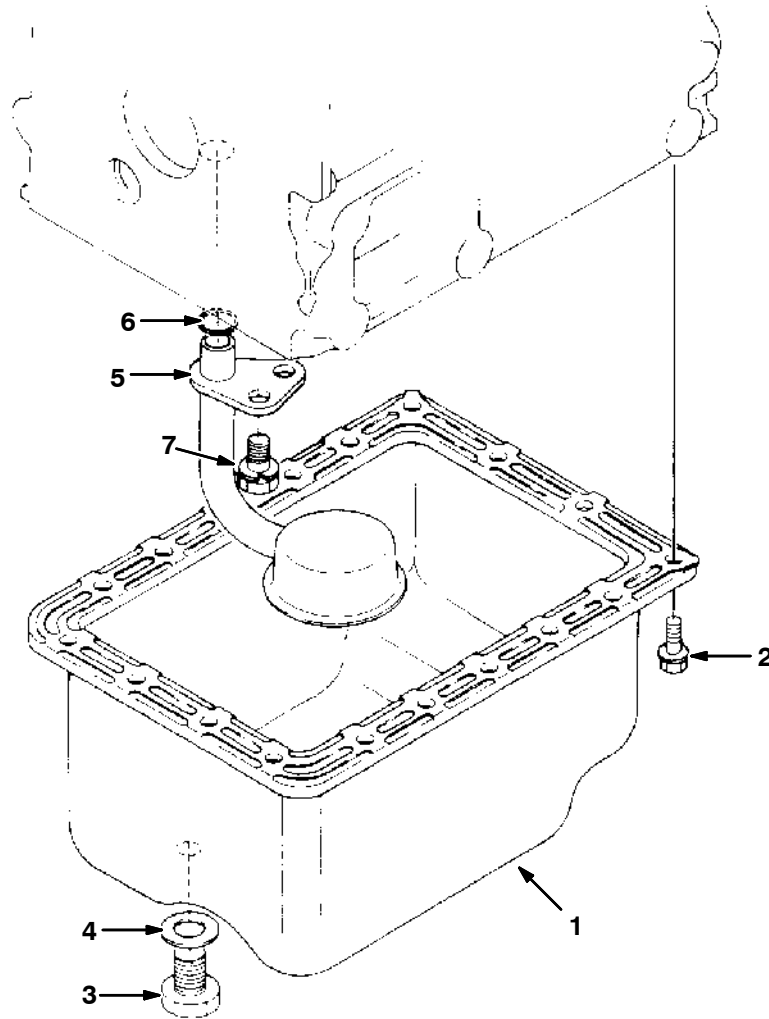


Fig. 1 - Crankcase Group

	Ref.	Tennant Part No.	Kubota Part Number	Description	Qty.
▽	1	393500	16873-0101-0	Crankcase	1
▲	2	361642	16851-9626-1	Cap, Sealing	3
▲	3	361643	16851-9627-1	Cap, Sealing	5
▲	4	70998	15451-9627-1	Cap, Sealing	2
▲	5	39088	15261-9601-2	Plug	5
▲	6	39051	15521-9602-2	Plug	3
▲	7	39052	15521-9603-2	Plug	1
▲	8	51285	15261-9616-1	Plug	1
▲	9	71987	05012-00508	Pin, Straight	2
▲	10	71988	05012-00814	Pin, Straight	2
▲	11	393501	15221-3365-0	Pin, Pipe	1
▲	12	71990	15231-3396-0	Pin, Pipe	2
▲	13	361652	17331-5919-1	Pin, Pipe	2
▲	14	393502	16851-1621-0	Cover, Fuel Camshaft	1
	15	39063	15221-3370-1	O-ring	1
	16	70888	15841-7302-1	Draincock	1
	17	361636	16851-3501-1	Pump, Oil	1
	18	361612	15862-3515-2	Gasket, Oil Pump	1
	19	361586	15841-9105-1	Bolt	3
	20	361575	15841-3566-2	Gear, Oil Pump Drive	1
	21	40203	05712-00408	Key, Feather	1
	22	361449	02783-50100	Nut, Flange	1
	23	87940	15841-3901-1	Switch, Oil	1

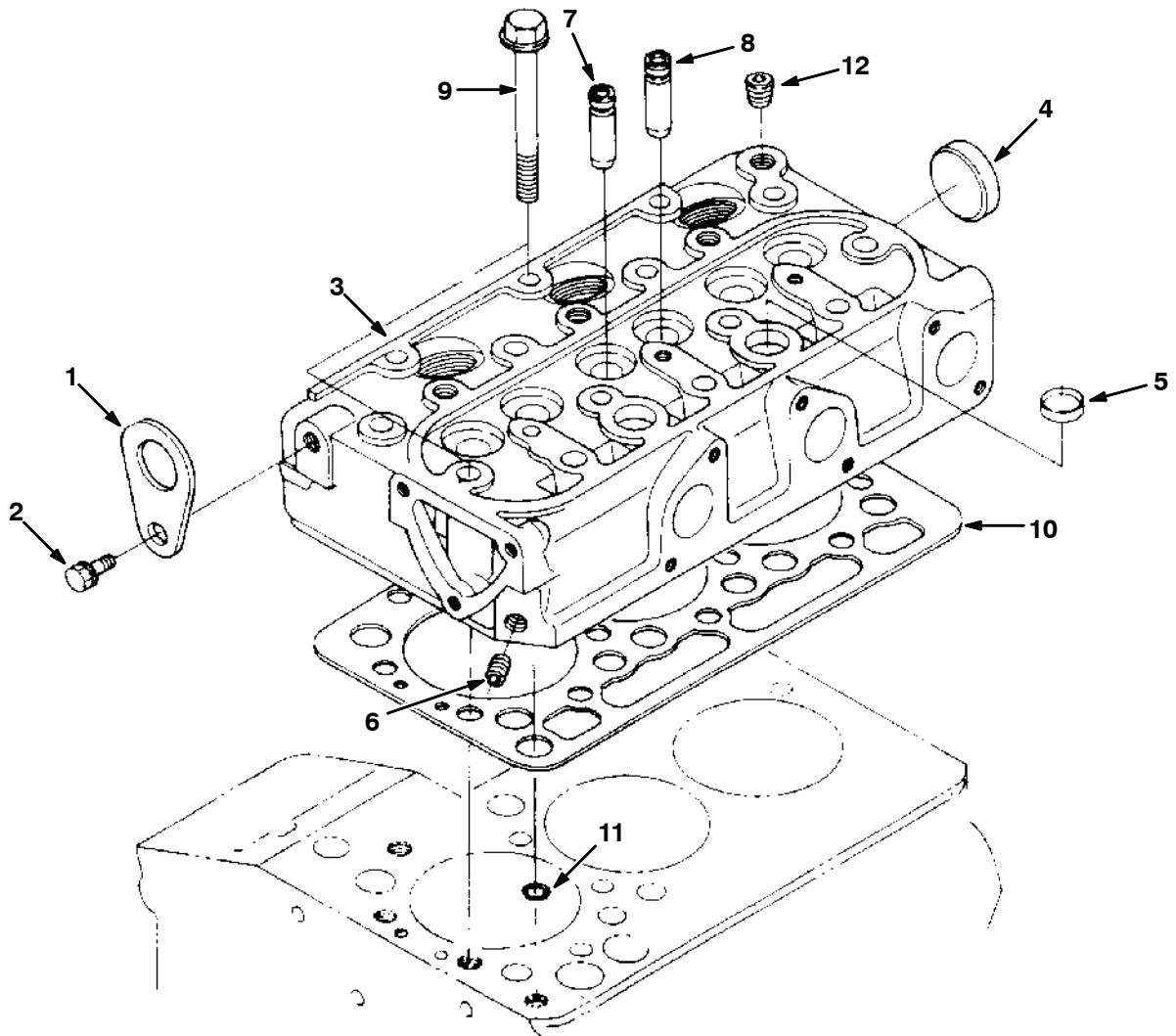
Fig. 2 - Oil Pan Group



353011

Ref.	Tennant Part No.	Kubota Part Number	Description	Qty.
1	361609	15862-0150-5	Pan, Oil	1
2	71995	01023-50612	Bolt	18
3	361370	15221-3375-2	Plug	1
4	10895	15109-3366-1	Gasket, Oil Pump	1
5	361635	16851-3211-1	Tube, Pickup, Oil	1
6	41792	04811-00160	O-ring	1
7	39073	01123-50814	Bolt	1

Fig. 3 - Cylinder Head Group



353012

Ref.	Tennant Part No.	Kubota Part Number	Description	Qty.
1	39093	15221-0175-0	Hook, Engine	1
2	39094	01123-60816	Bolt	1
∇ 3	393503	16873-0304-2	Head, Cylinder	1
▲ 4	393504	15321-9626-0	Cap, Sealing	1
▲ 5	71999	15261-0337-0	Cap, Sealing	2
▲ 6	39088	15261-9601-2	Plug	1
▲ 7	361564	15841-1354-2	Guide, Inlet Valve	3
▲ 8	361565	15841-1356-2	Guide, Exhaust Valve	3
9	361530	14601-0345-2	Bolt, Cylinder Head	14
10	393505	16871-0331-0	Gasket, Cylinder Head	1
11	39063	15221-3370-1	O-ring	1
12	72010	15841-9602-2	Plug	1

Fig. 4 - Head Cover Group

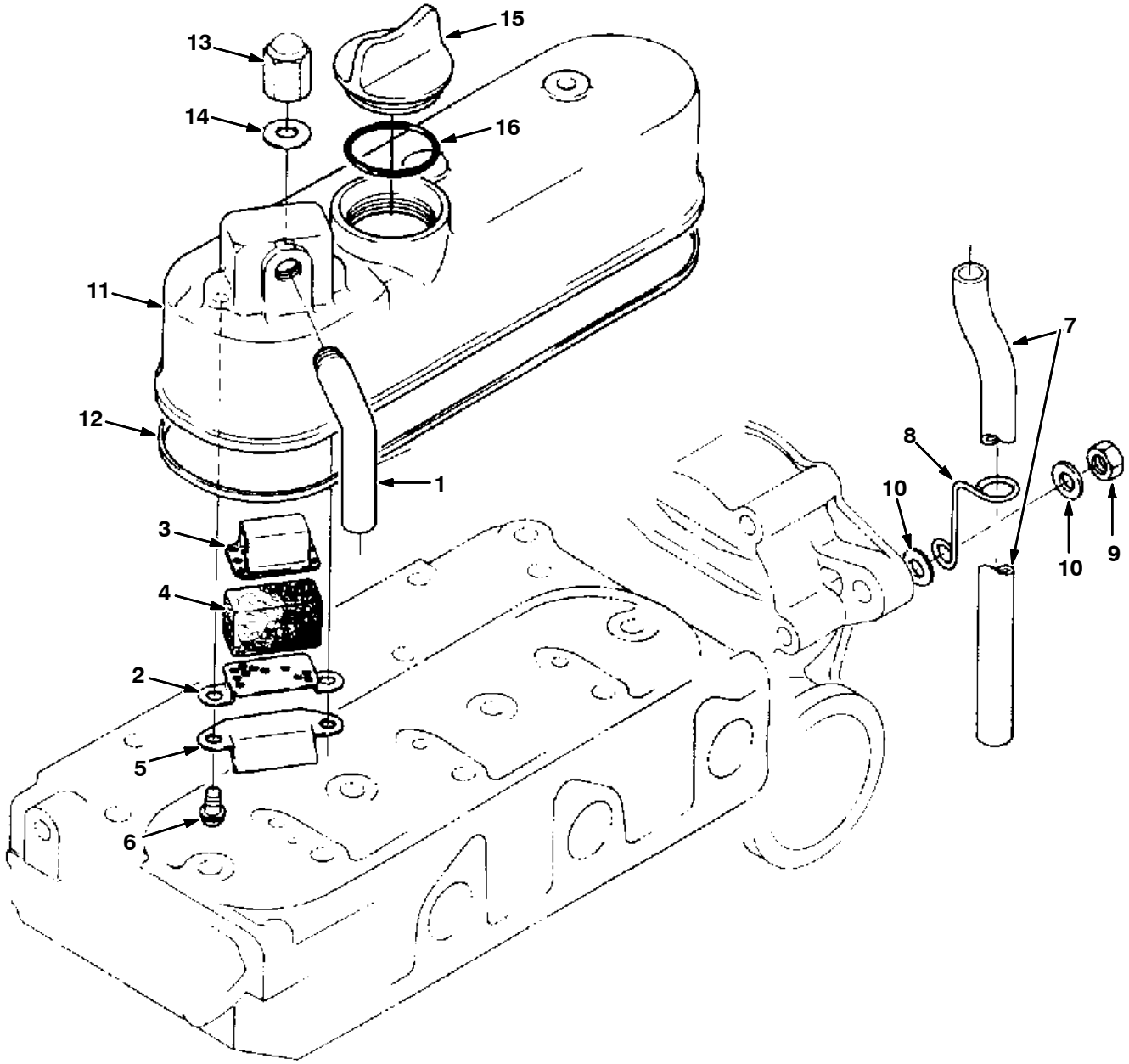


Fig. 4 - Head Cover Group

Ref.	Tennant Part No.	Kubota Part Number	Description	Qty.
1	361622	15881-0555-1	Pipe, Breather	1
2	361557	15841-0514-2	Plate, Breather Elmnt	1
3	361558	15841-0515-2	Plate, Breather Elmnt	1
4	361562	15841-0567-2	Element, Breather	1
5	361559	15841-0537-2	Oil Shield, Breather	1
6	361650	16861-9331-1	Screw	6
7	361560	15841-0551-1	Pipe, Breather	1
8	393506	15881-0559-0	Clamp, Pipe	1
9	20100	02114-50080	Nut, Flange	1
10	40231	04013-60080	Washer, Plain	2
11	361645	16861-1451-3	Cover, Cylinder Head	1
12	361646	16861-1452-0	Gasket, Head Cover	1
13	30135	15841-1462-1	Nut, Cap	3
14	40166	15601-9665-1	Gasket	3
15	361374	15852-3314-1	Plug, Oil Filler	1
16	70913	04811-50300	O-ring	1

Fig. 5 - Gear Case Group

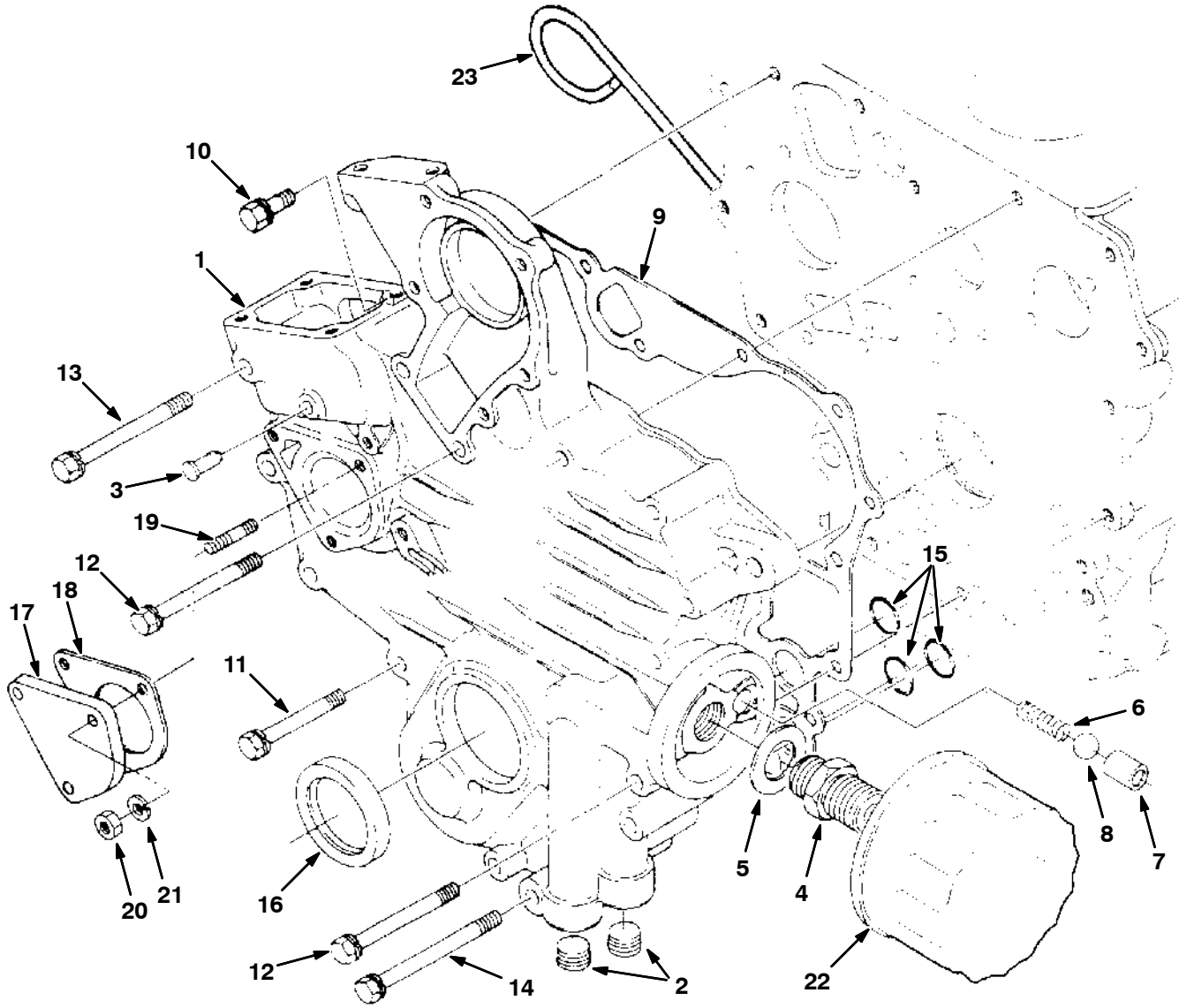


Fig. 5 - Gear Case Group

	Ref.	Tennant Part No.	Kubota Part Number	Description	Qty.
▽	1	393507	16875-0402-4	Case, Gear	1
▲	2	361641	16851-9601-1	Plug	2
▲	3	393508	15841-5628-0	Pin, Start Spring	1
	4	12916	15241-3229-2	Fitting	1
	5	361588	15841-9401-1	Washer, Plain	1
	6	361638	16851-3695-1	Spring	1
	7	361576	15841-3693-1	Seat, Valve	1
	8	393509	07715-03211	Ball	1
	9	361503	15862-04170	Gasket, Gear Case	1
	10	40409	01023-50618	Bolt	1
	11	72994	01023-50650	Bolt	8
	12	361585	15841-9101-1	Bolt	5
	13	393510	01023-60670	Bolt	1
	14	361441	01023-50675	Bolt	1
	15	361452	04811-06130	O-ring	3
	16	361621	15877-0414-0	Seal, Oil	1
	17	393511	19461-8334-0	Cover	1
	18	393512	19462-8813-0	Gasket, Gear Case	1
	19	39120	15221-8821-0	Stud	3
	20	39121	02056-50060	Nut	3
	21	39065	04512-60060	Washer, Spring	3
	22	361594	70000-152410	Cartridge, Oil Filter	1
	23	393513	16853-36411	Gauge, Oil	1

Fig. 6 - Camshaft Group

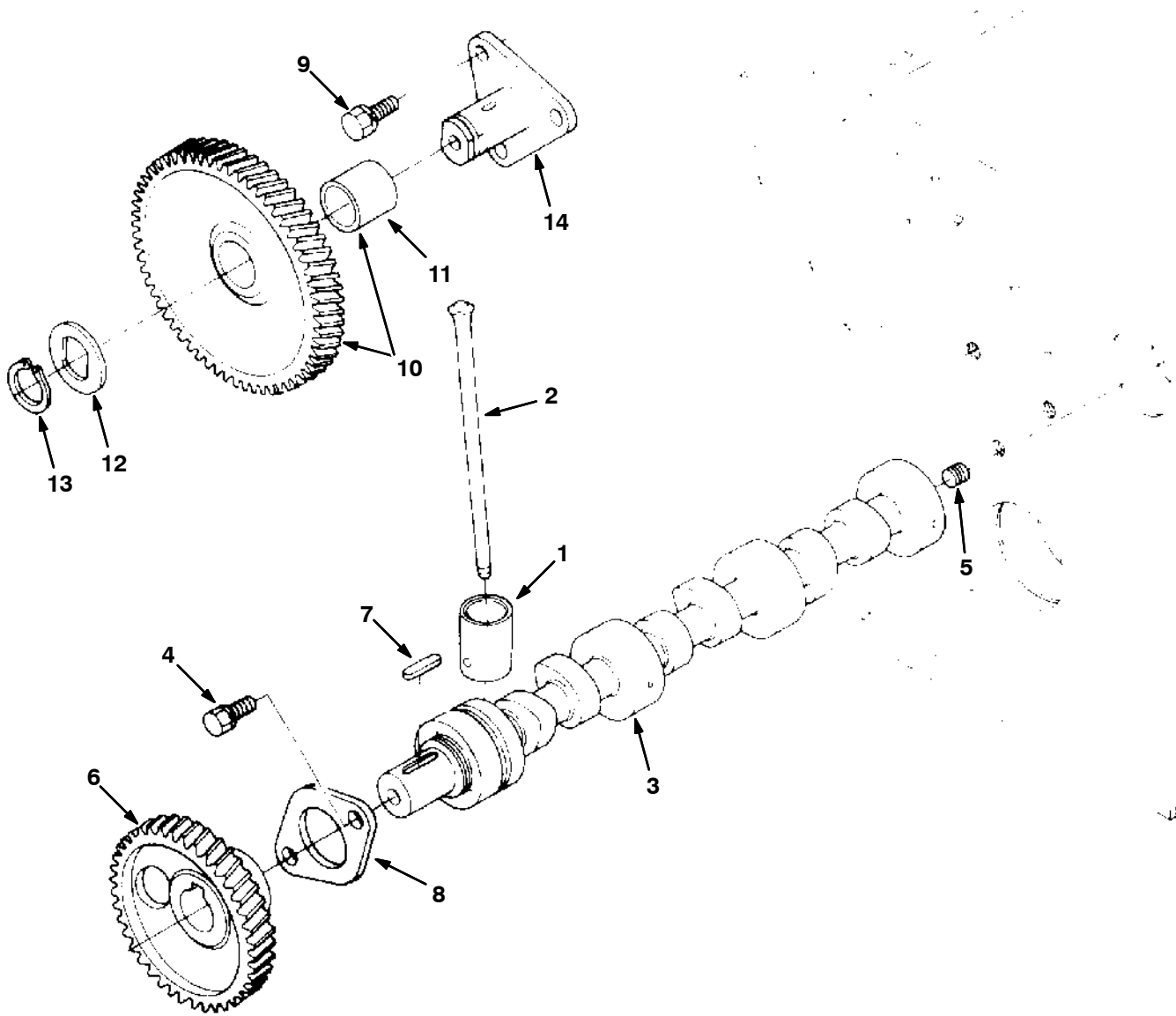


Fig. 6 - Camshaft Group

	Ref.	Tennant Part No.	Kubota Part Number	Description	Qty.
	1	361633	16851-1555-1	Tappet	6
	2	361632	16851-1511-1	Push Rod	6
▽	3	393514	16864-1601-0	Camshaft	1
▲	4	71995	01023-50612	Bolt	2
▲	5	39197	15521-9361-5	Screw, Set	1
▲	6	393515	16864-1651-0	Gear, Camshaft	1
▲	7	73512	05712-00518	Key	1
▲	8	361569	15841-1627-2	Stopper, Camshaft	1
	9	39160	01053-50614	Bolt	3
▽	10	361616	15875-2401-4	Gear, Idle	1
▲	11	393623	16875-2498-0	Bushing	1
	12	361620	15875-2437-2	Collar, Idle Gear	1
	13	361619	15875-2432-1	Ring, Snap	1
	14	361617	15875-2425-1	Shaft, Idle Gear	1

Fig. 7 - Main Bearing Case Group

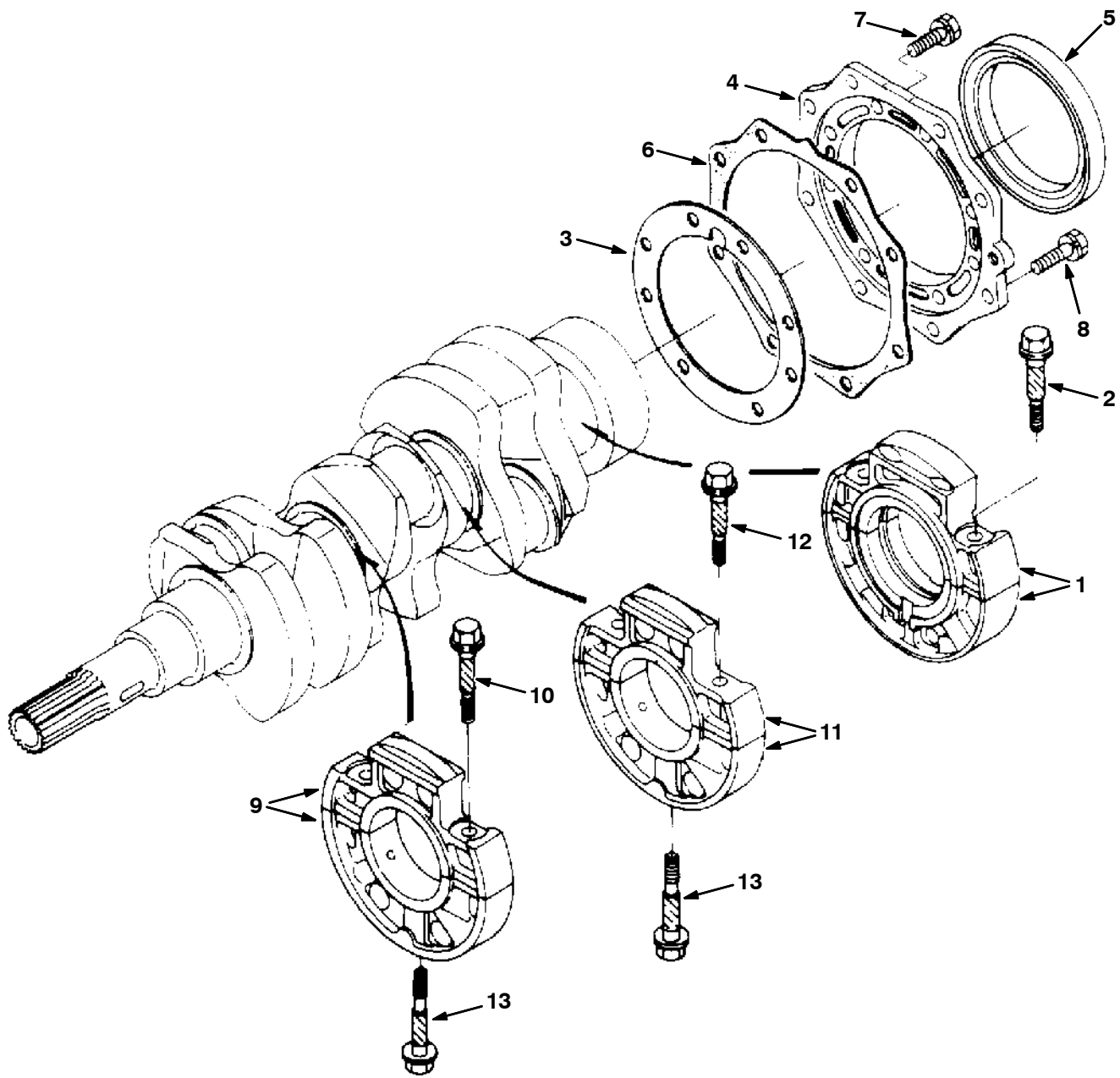


Fig. 7 - Main Bearing Case Group

Ref.	Tennant Part No.	Kubota Part Number	Description	Qty.
1	393516	16851-0409-2	Case Assy, Main Bearing	1
2	361403	15841-0454-1	Bolt, Bearing Case	2
3	361590	15852-0436-1	Gasket, Bearing Case	1
4	361556	15841-0481-3	Cover, Bearing Case	1
5	393517	19215-9916-0	Seal, Oil	1
6	393518	15841-0482-2	Gasket, Bearing Case Cover	1
7	371017	01023-50620	Bolt	8
8	39119	01023-50622	Bolt	8
9	361630	16851-0404-2	Case Assy, Main Bearing	1
10	361403	15841-0454-1	Bolt, Bearing Case	2
11	361644	16861-0405-2	Case Assy, Main Bearing	1
12	361403	15841-0454-1	Bolt, Bearing Case	2
13	361410	15841-0456-2	Bolt, Bearing Case	2

Fig. 8 - Piston and Crankshaft Group

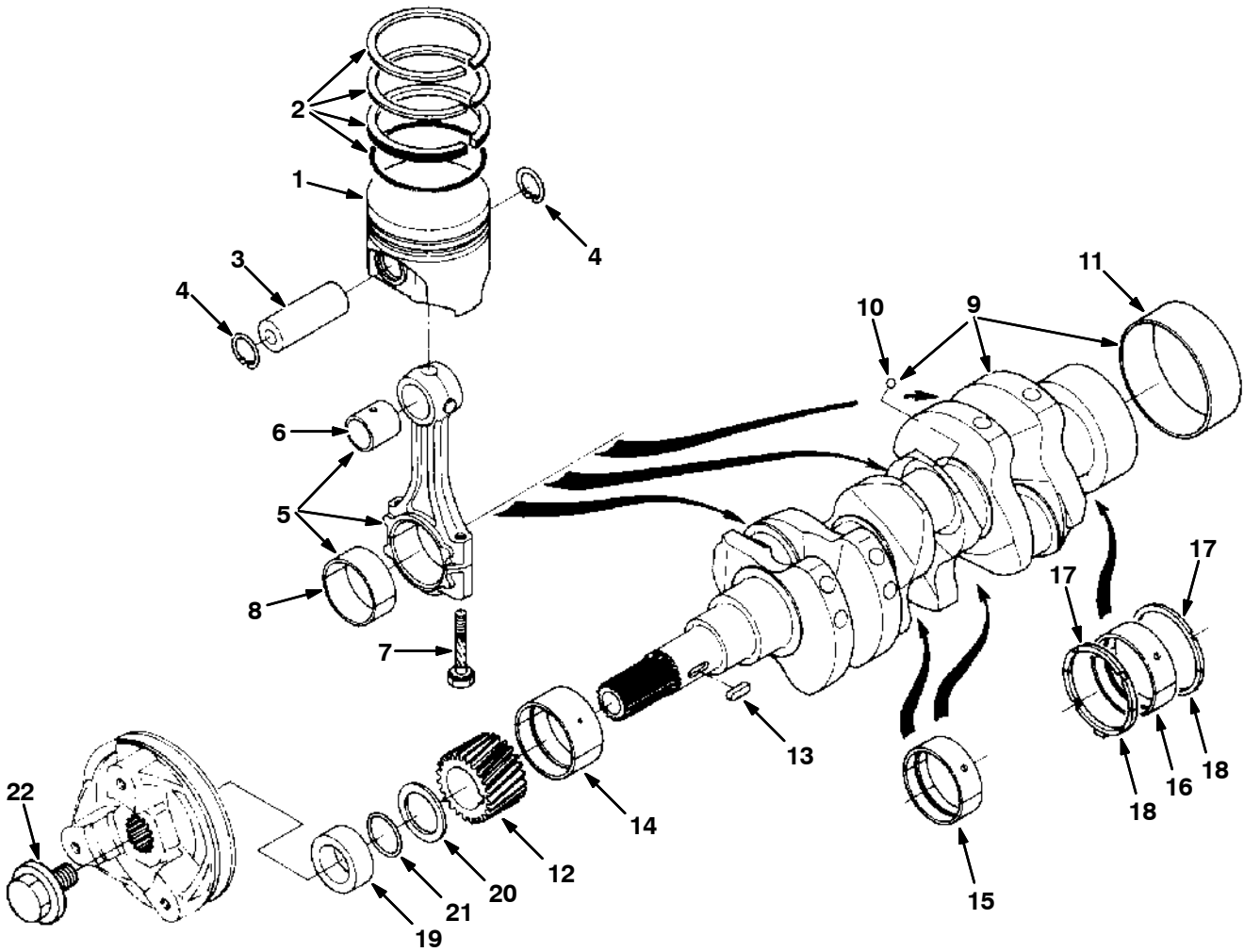
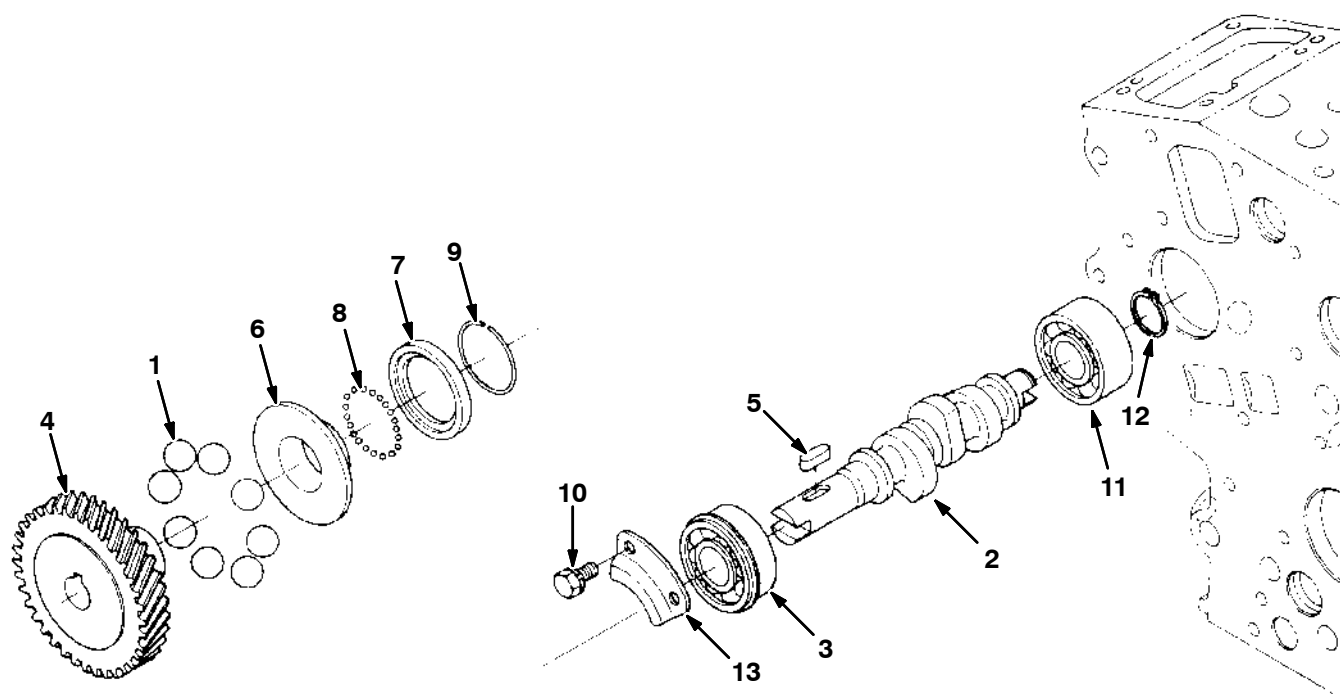


Fig. 8 - Piston and Crankshaft Group

Ref.	Tennant Part No.	Kubota Part Number	Description	Qty.
1	393519	16851-2111-2	Piston, Std	3
1	393520	16851-2190-0	Piston, +0.25mm	3
2	393521	16853-2105-0	Piston Ring Assy, Std	3
2	393522	16853-2109-0	Piston Ring Assy, +0.25mm	3
3	393523	16851-2131-0	Pin, Piston	3
4	21802	15261-2133-0	Clip, Piston	6
▽	5	393524	Rod Assy, Connecting	3
▲	6	393525	Bushing, Piston Pin	1
▲	7	361634	Bolt, Connecting Rod	2
▲	8	361601	Shim Kit, Crankpin, -0.20mm	1
▲	8	361602	Shim Kit, Crankpin, -0.40mm	1
▲	8	393526	Shim Kit, Crankpin, Std	1
▽	9	393527	Crankshaft	1
▲	10	393528	Ball	3
▲	11	51387	Sleeve, Crankshaft	1
12	361574	15841-2411-1	Gear, Crankshaft	1
13	393529	05712-00515	Key	1
14	361603	15861-2347-2	Shim Kit, Crankshaft, Std	1
14	361607	15861-2391-2	Shim Kit, Crankshaft, -0.20mm	1
14	361608	15861-2392-2	Shim Kit, Crankshaft, -0.40mm	1
15	361547	15694-2393-2	Shim Kit, Crankshaft, -0.20mm	1
15	361548	15694-2394-2	Shim Kit, Crankshaft, -0.40mm	1
15	393530	16861-2348-0	Shim Kit, Crankshaft, Std	1
16	361605	15861-2386-2	Shim Kit, Crankshaft, -0.20mm	2
16	361606	15861-2387-2	Shim Kit, Crankshaft, -0.40mm	2
16	393531	16861-2349-0	Shim Kit, Crankshaft, Std	2
17	51020	15261-2353-2	Shim Kit, Side, Std	2
17	361539	15261-2395-2	Shim Kit, Side, +0.20mm	2
17	361540	15261-2396-2	Shim Kit, Side, +0.40mm	2
18	51194	15261-2354-2	Shim Kit, Side, Std	2
18	51276	15261-2397-2	Shim Kit, Side, +0.20mm	2
18	51277	15261-2398-2	Shim Kit, Side, +0.40mm	2
19	361573	15841-2325-1	Collar, Crankshaft	1
20	361624	15881-2331-1	Slinger, Oil	1
21	361453	04811-16220	O-ring	1
22	361628	15881-9103-1	Bolt	1

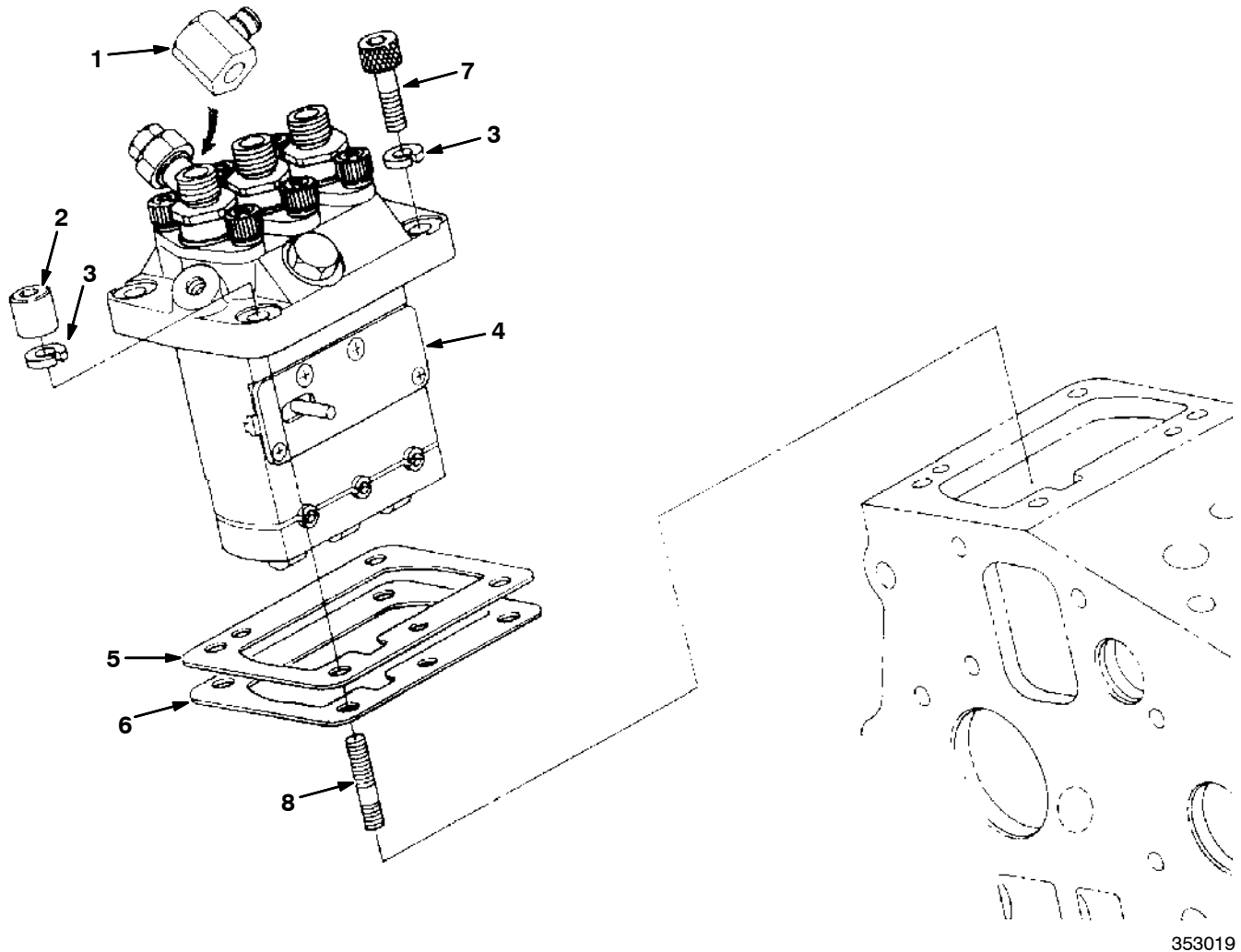
Fig. 9 - Fuel Camshaft Group



353018

Ref.	Tennant Part No.	Kubota Part Number	Description	Qty.
▽	393532	16861-1602-0	Camshaft Assy, Fuel	1
▲ 1	39117	07715-03217	Ball	8
▲ 2	393533	15875-1617-0	Camshaft, Fuel	1
▲ 3	393534	08153-06203	Bearing, Ball	1
▲ 4	393535	16851-5115-0	Gear, Injection Pump	1
▲ 5	393529	05712-00515	Key	1
▲ 6	361578	15841-5545-1	Sleeve, Governor	1
▲ 7	361579	15841-5569-1	Case, Governor Ball	1
▲ 8	393537	07715-00801	Ball	32
▲ 9	361541	15261-5547-1	Clip, Governor Sleeve	1
10	71995	01023-50612	Bolt	2
11	393538	08103-06203	Bearing, Ball	1
12	393539	04612-00170	Clip, External	1
13	361570	15841-1632-1	Stopper, Fuel Camshaft	1

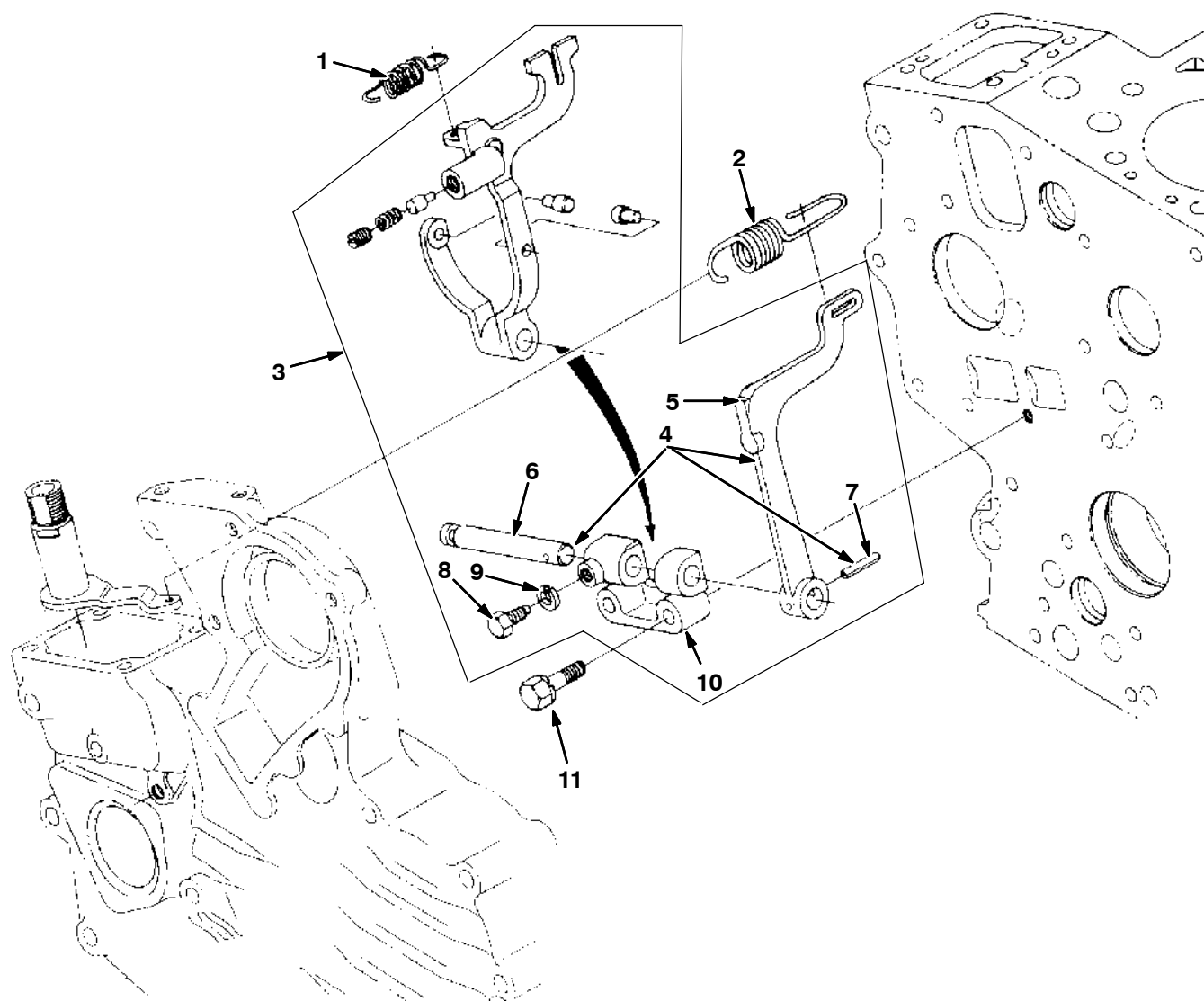
Fig. 10 - Injection Pump Group



353019

Ref.	Tennant Part No.	Kubota Part Number	Description	Qty.
1	393540	15841-9568-0	Fitting, Eye	1
2	73563	15841-9232-0	Nut, Cap	2
3	39065	04512-60060	Washer, Spring	4
4	393541	16006-5101-0	Pump, Injection	1
5	368063	16006-5209-2	Shim, Injection Pump 0.2 mm	1
6	361438	16006-5212-2	Shim, Injection Pump 0.3 mm	1
6	368064	16006-5211-2	Shim, Injection Pump 0.25 mm	1
7	361361	01311-10620	Bolt	2
8	73562	15841-9150-2	Stud	2

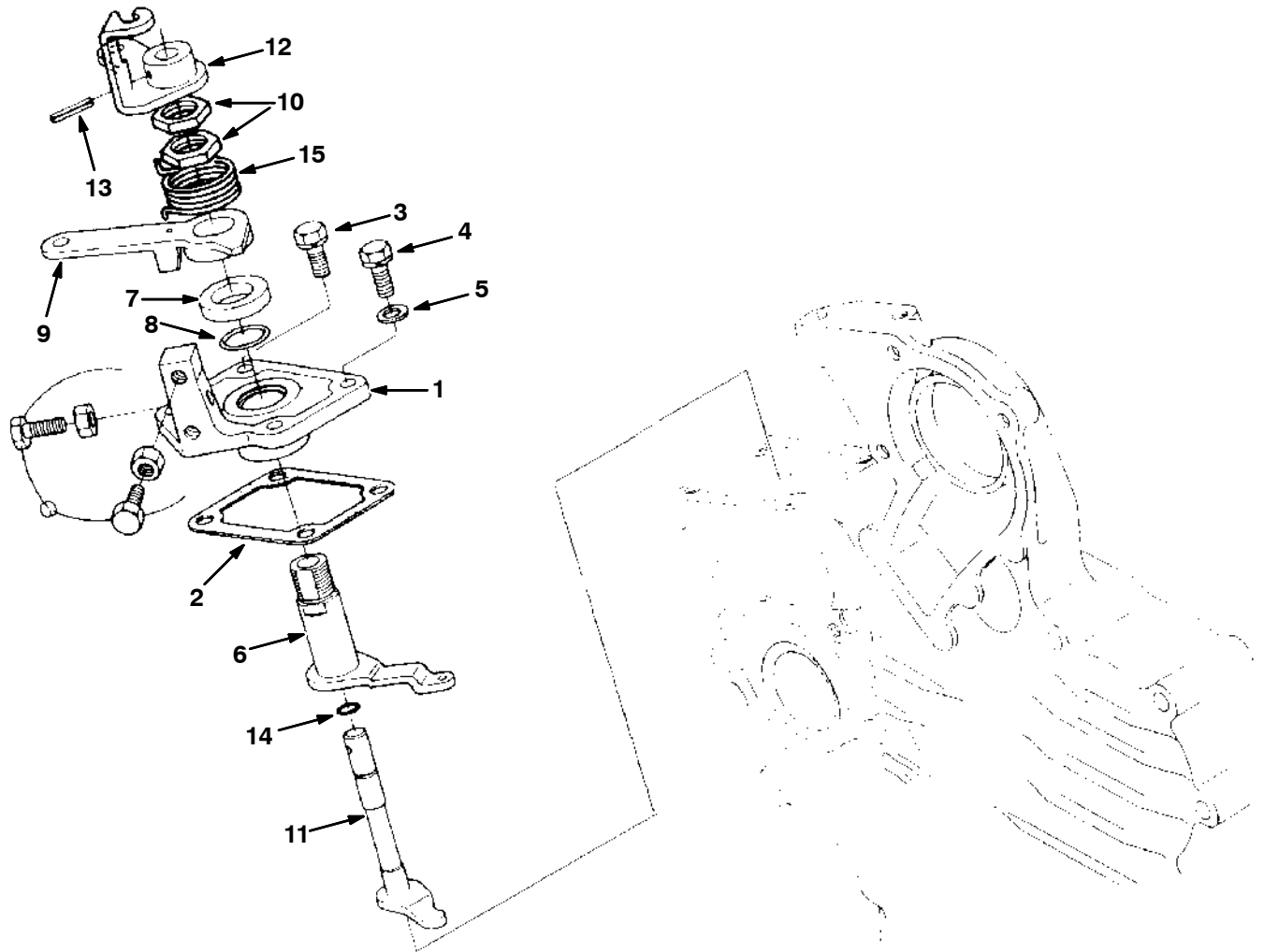
Fig. 11 - Governor Group



353020

Ref.	Tennant Part No.	Kubota Part Number	Description	Qty.
1	393542	15841-5648-0	Spring, Start	1
2	393543	19461-5641-0	Spring, Governor	1
▽ 3	393544	16000-5605-0	Lever Assy, Fork	1
▲▽ 4	393545	15841-5606-0	Lever Assy, Fork	1
▲▲ 5	393546	15841-5613-0	Lever, Fork	1
▲▲ 6	393547	15841-5615-0	Shaft, Fork Lever	1
▲▲ 7	393548	05411-00318	Pin, Spring	1
▲ 8	361542	15261-6641-1	Bolt	1
▲ 9	361451	04512-60050	Washer, Spring	1
▲ 10	361580	15841-5623-2	Holder, Fork Lever	1
11	393549	01023-50635	Bolt	2

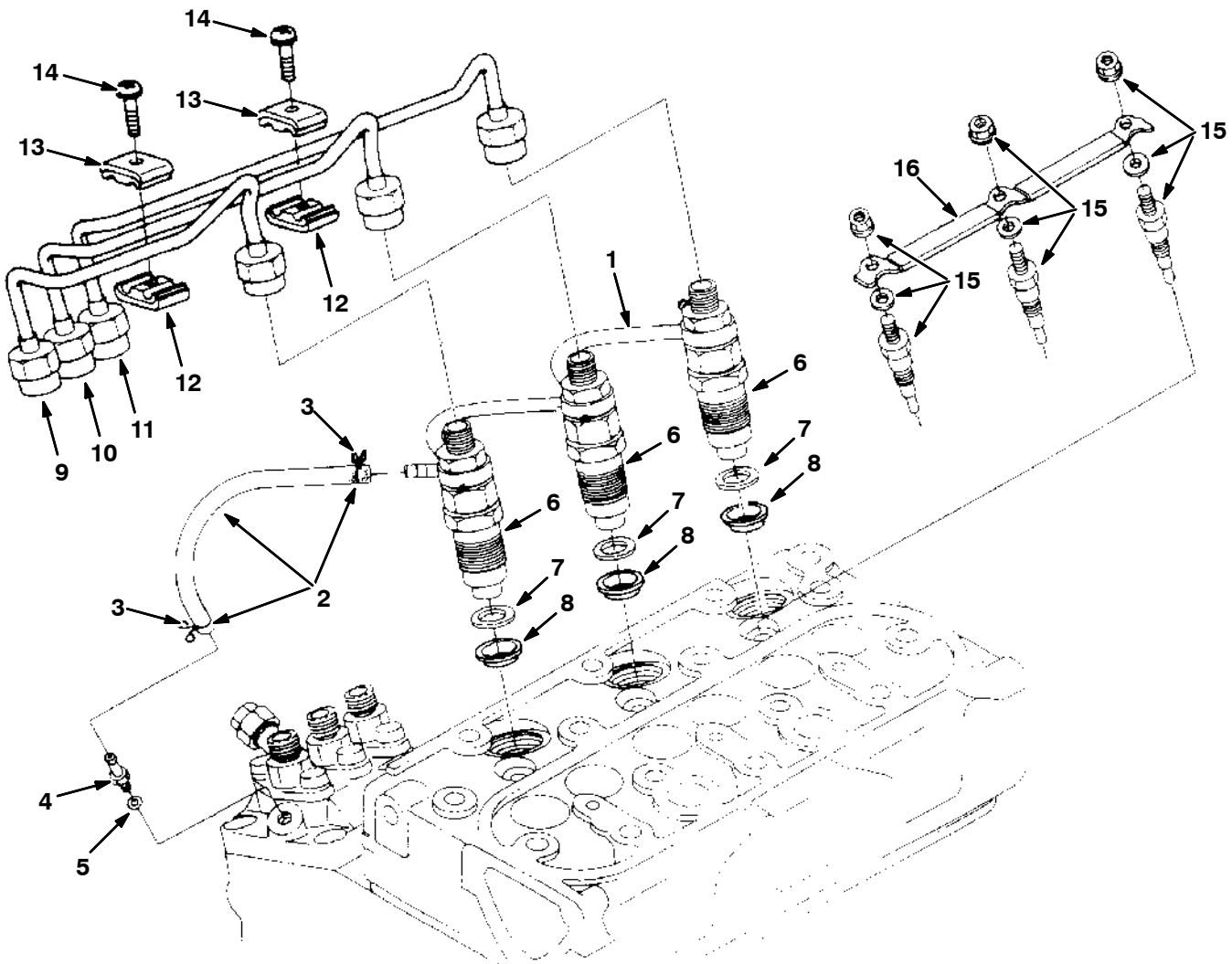
Fig. 12 - Speed Control Plate Group



353021

Ref.	Tennant Part No.	Kubota Part Number	Description	Qty.
1	393550	15841-5711-0	Plate, Speed Control	1
2	361581	15841-5721-2	Gasket	1
3	40409	01023-50618	Bolt	2
4	393551	01053-50618	Bolt	2
5	40166	15601-9665-1	Gasket	2
6	393552	15841-5611-0	Lever, Governor	1
7	393553	15841-5724-0	Collar	1
8	393554	04811-10160	O-ring	1
9	393555	16667-5715-0	Lever, Speed Control	1
10	393556	15841-9201-0	Nut	2
11	393557	16878-5774-0	Shaft, Lever	1
12	393558	17580-5772-0	Lever, Engine Stop	1
13	393559	05411-00318	Pin, Spring	1
14	40405	04811-10070	O-ring	1
15	393560	15841-5792-0	Spring, Return	1

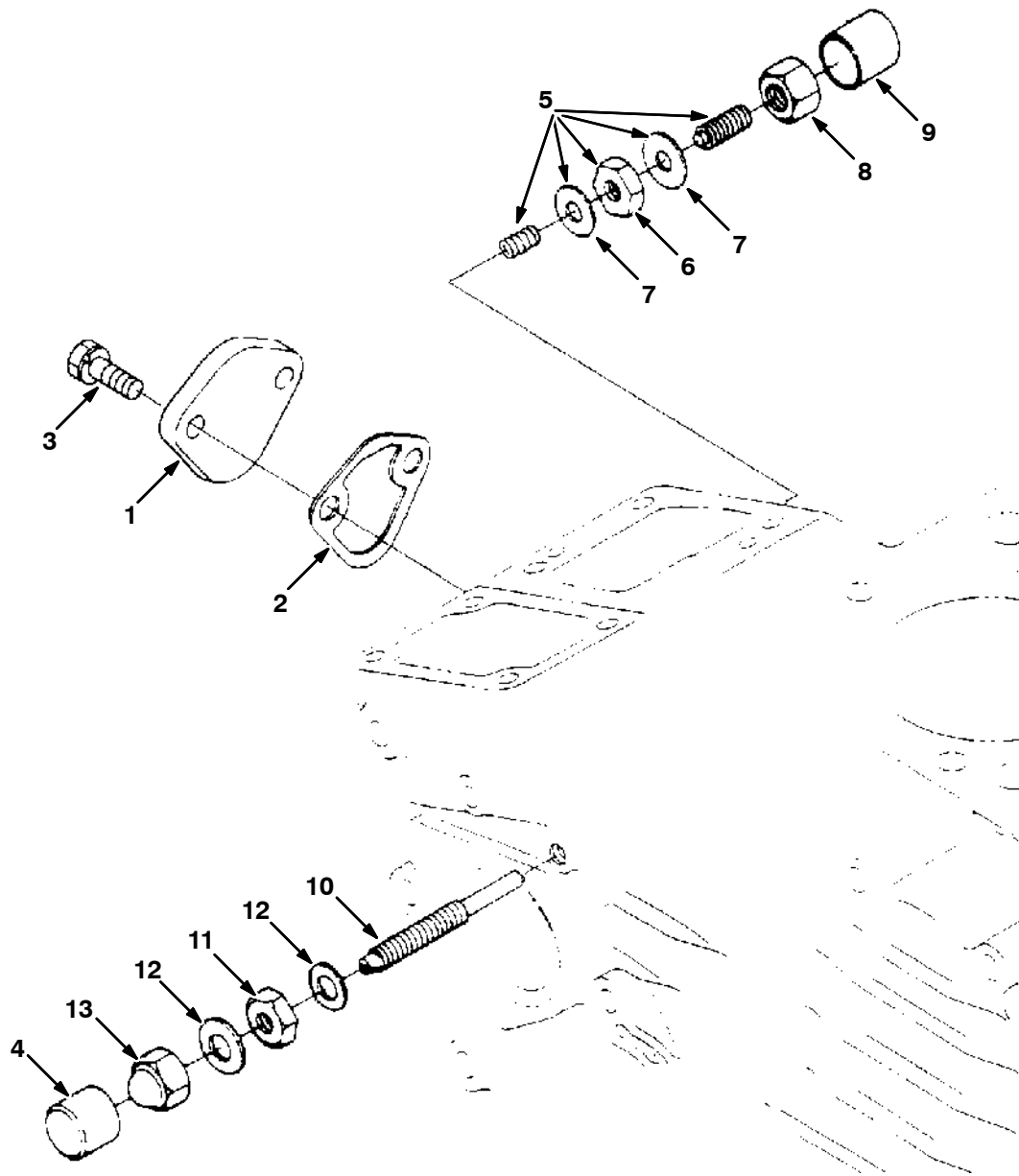
Fig. 13 - Nozzle Holder and Glow Plug Group



353022

Ref.	Tennant Part No.	Kubota Part Number	Description	Qty.
1	393561	15862-4250-2	Pipe Assy, Overflow	1
▽ 2	361373	15841-4250-1	Pipe Assy, Overflow	1
▲ 3	361368	10244-42320	Clip, Pipe	2
4	73555	15841-5136-2	Screw, Air Bleeder	1
5	40166	15601-9665-1	Gasket	1
6	393562	16001-5300-0	Holder Assy, Nozzle	3
7	70964	15841-5362-2	Gasket	3
8	20719	19077-5365-2	Seal, Heat	3
9	393563	16851-5371-2	Pipe, Injection	1
10	393564	16851-5372-2	Pipe, Injection	1
11	393565	16861-5373-2	Pipe, Injection	1
12	30131	15841-5385-0	Clamp, Pipe	2
13	30132	15841-5386-1	Clamp, Pipe	2
14	393566	03024-50520	Screw, With Washer	2
15	84638	16851-6551-2	Plug, Glow	3
16	393567	16861-6556-0	Cord, Glow Plug	1

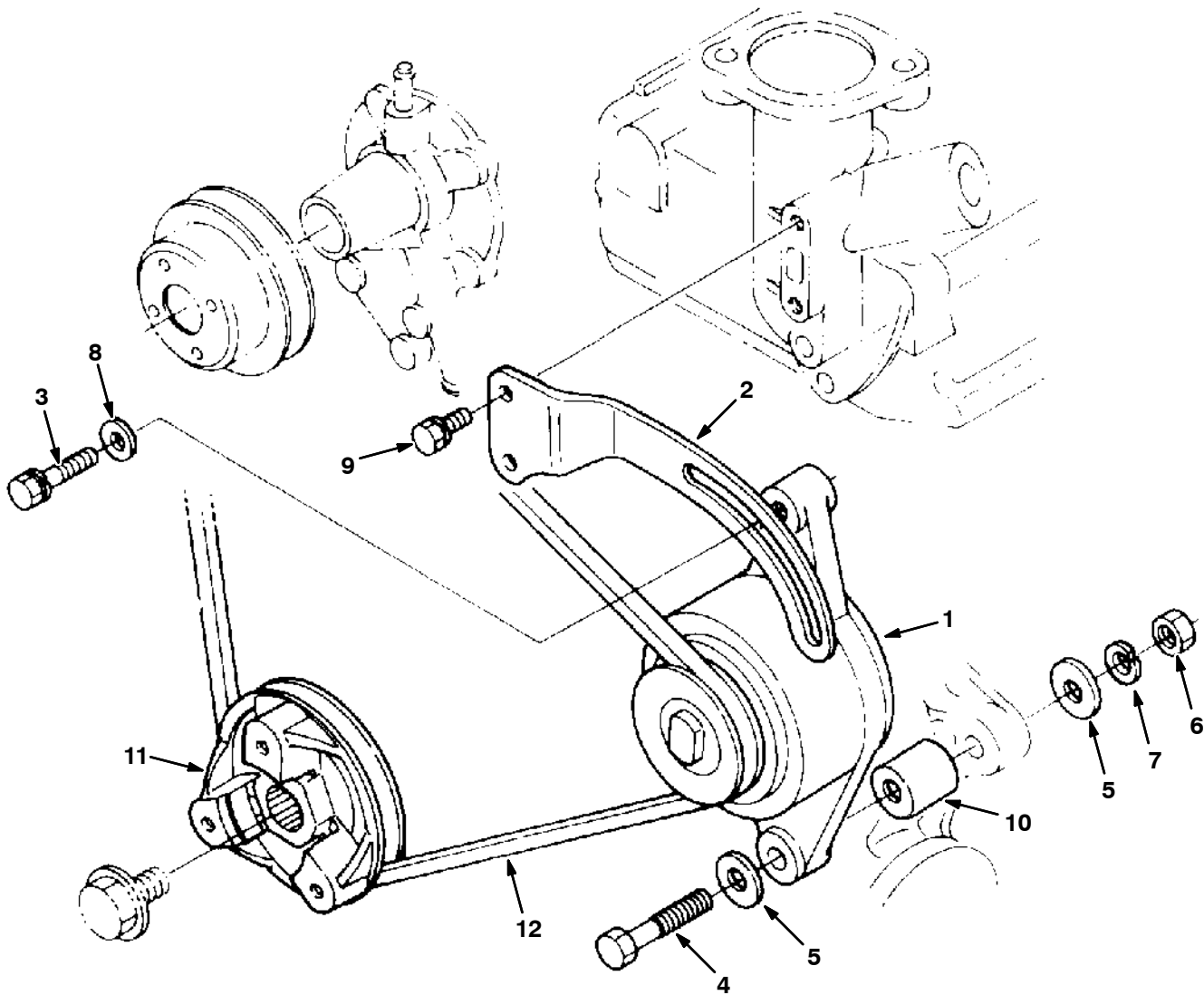
Fig. 14 - Fuel Pump Cover Group



353023

Ref.	Tennant Part No.	Kubota Part Number	Description	Qty.
1	73565	15852-5285-1	Cover	1
2	70974	16264-5214-0	Gasket, Fuel Pump	1
3	41973	01023-50616	Bolt	2
4	30136	16221-54420	Cap	1
∇	393574	15841-5409-2	Idle Assy, Adj	1
▲∇	5	393568	Bolt Assy, Adjusting	1
▲▲	6	393569	Nut	1
▲▲	7	393570	Gasket	2
▲	8	393571	Nut, Cap	1
9	393572	15841-5427-0	Cap	1
10	393573	15841-5412-2	Bolt, Adjusting	1
11	73606	15841-9202-1	Nut	1
12	40166	15601-9665-1	Gasket	2
13	73607	15841-9233-0	Nut, Cap	1

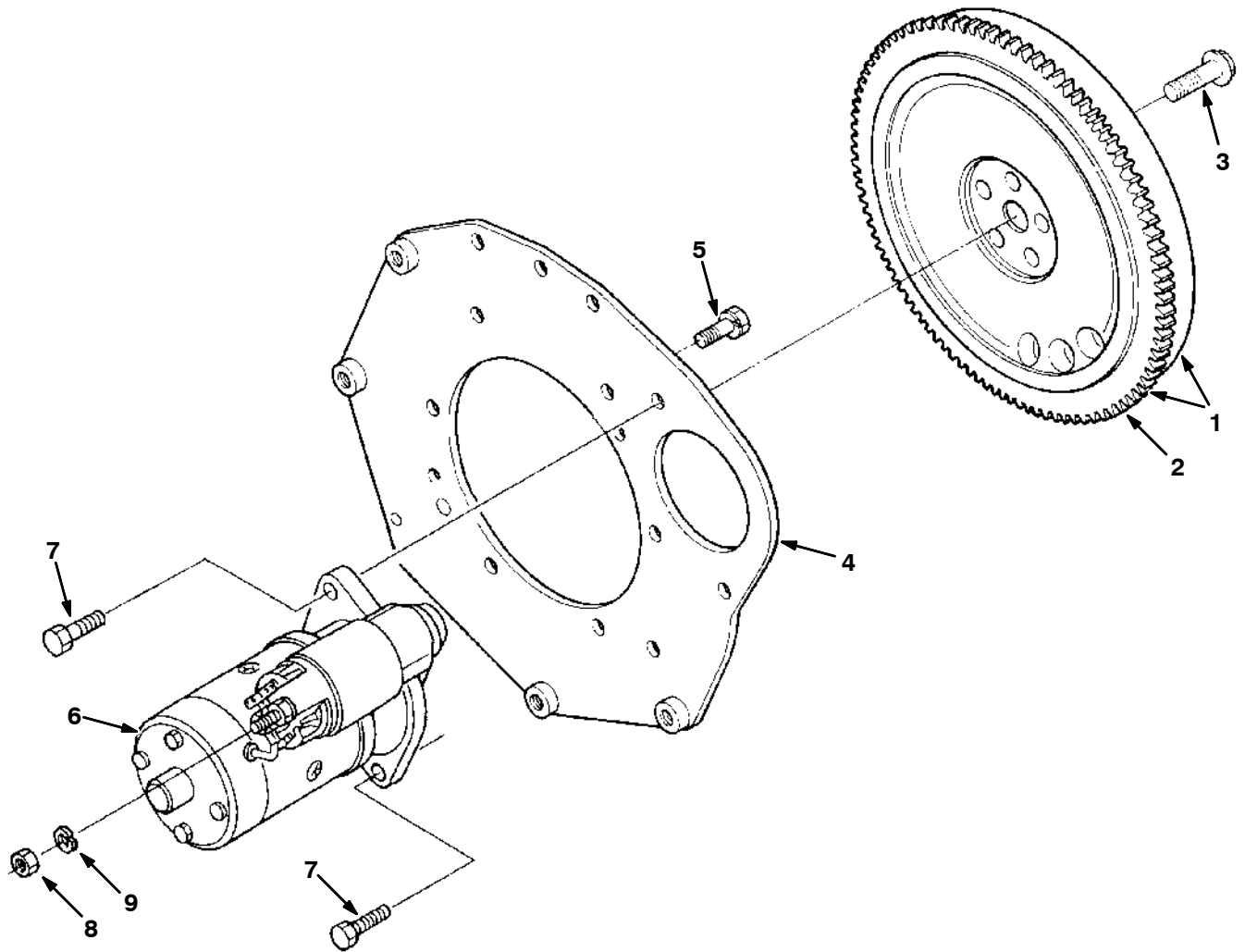
Fig. 15 - Alternator Group



353024

Ref.	Tennant Part No.	Kubota Part Number	Description	Qty.
1	361544	16241-64011	Alternator, 12v, 40a	1
2	393603	17548-64221	Bracket, Alternator	1
3	368293	01123-50845	Bolt	1
4	393604	01123-5880	Bolt	1
5	361365	04013-50080	Washer, Plain	2
6	20100	02114-50080	Nut	1
7	39097	04512-50080	Washer, Spring	1
8	39148	04012-50080	Washer, Plain	1
9	41973	01023-50616	Bolt	2
10	393605	19837-64372	Collar	1
11	393575	16875-74282	Pulley, Fan Drive	1
12	393606	19805-72530	V-Belt	1

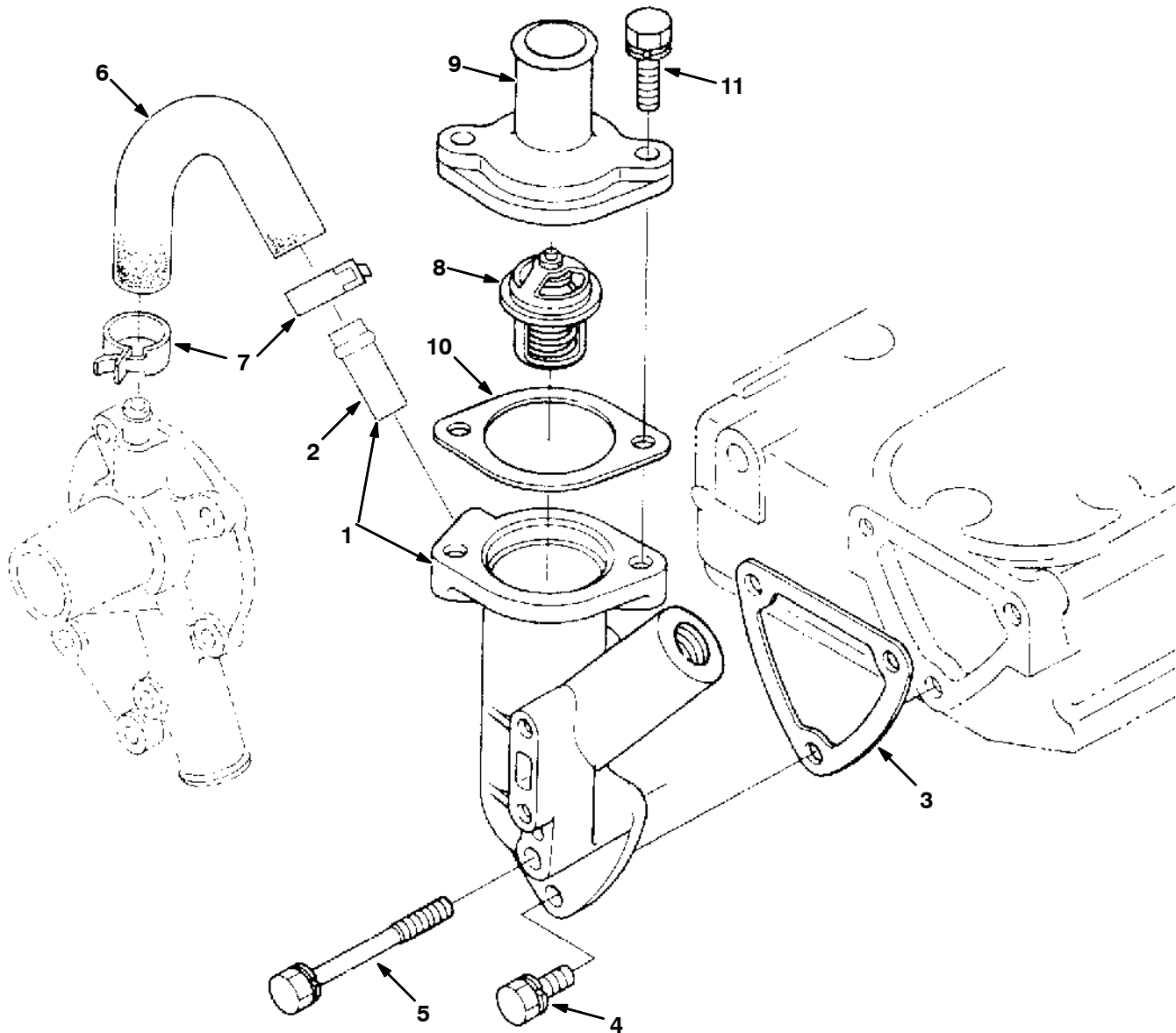
Fig. 16 - Flywheel and Starter Group



353025

	Ref.	Tennant Part No.	Kubota Part Number	Description	Qty.
▽	1	361648	16861-2501-3	Flywheel	1
▲	2	361639	16851-6382-1	Gear, Ring	1
	3	361591	15852-2516-1	Bolt, Flywheel	5
	4	393576	19666-0462-1	Plate, Rear End	1
	5	39094	01123-60816	Bolt	10
	6	393577	15231-6301-6	Starter	1
	7	361443	01153-50828	Bolt	2
	8	20100	02114-50080	Nut, Flange	1
	9	39097	04512-60080	Washer, Spring	1

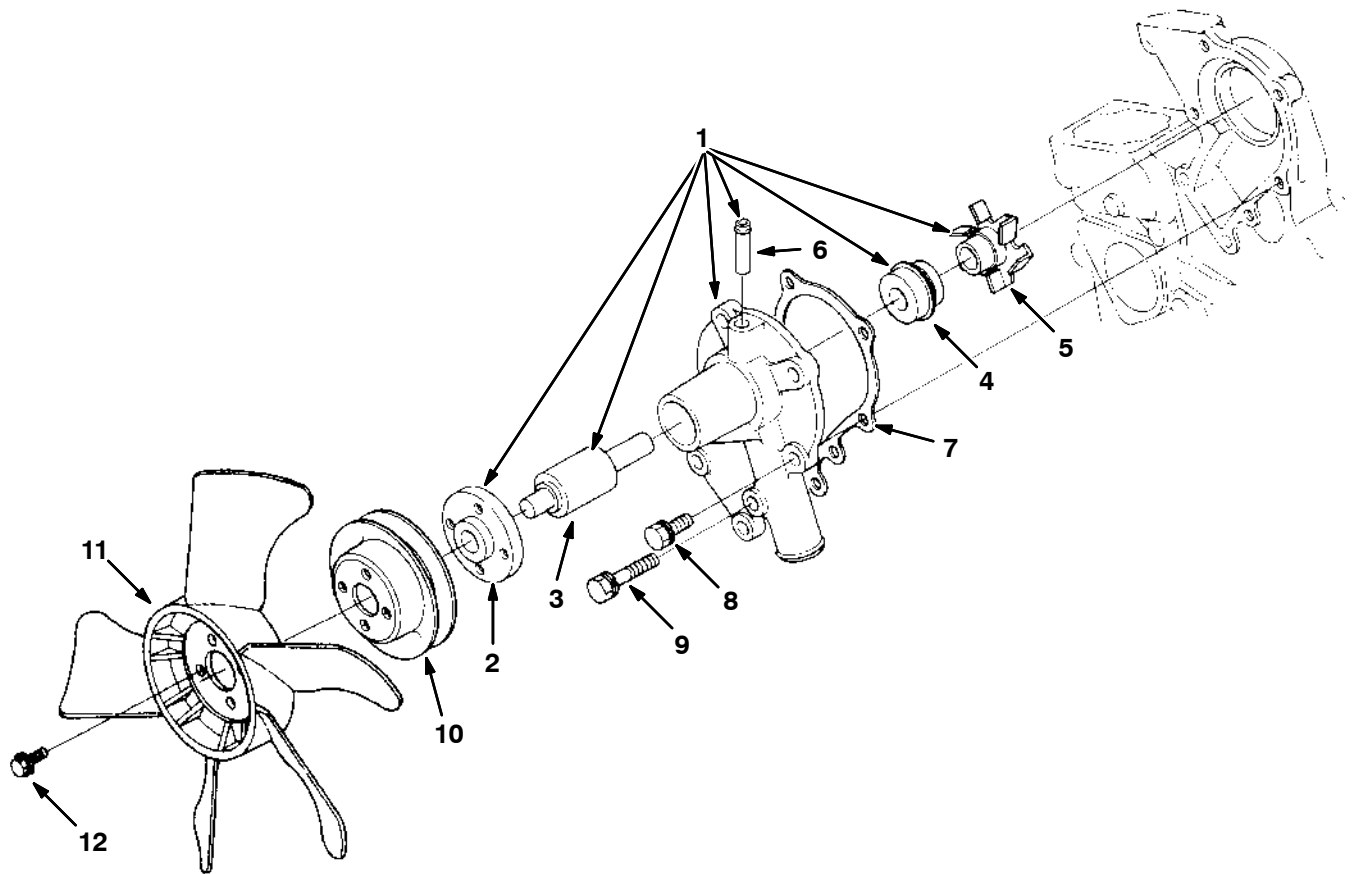
Fig. 17 - Water Flange and Thermostat Group



353026

Ref.	Tennant Part No.	Kubota Part Number	Description	Qty.
▽ 1	393578	16875-7270-0	Flange, Water	1
▲ 2	361440	15852-73340	Pipe, Water Return	1
3	393579	15841-7292-2	Gasket, Water Flange	1
4	41973	01023-50616	Bolt	2
5	361627	15881-9102-1	Bolt	1
6	393580	16851-7335-0	Pipe, Water Return	1
7	73634	16241-7336-1	Strap, Pipe	2
8	70995	19203-7301-2	Thermostat	1
9	361583	15841-7326-1	Cover, Thermostat	1
10	393581	15676-7327-0	Gasket, Thermostat	1
11	39119	01023-50622	Bolt	2

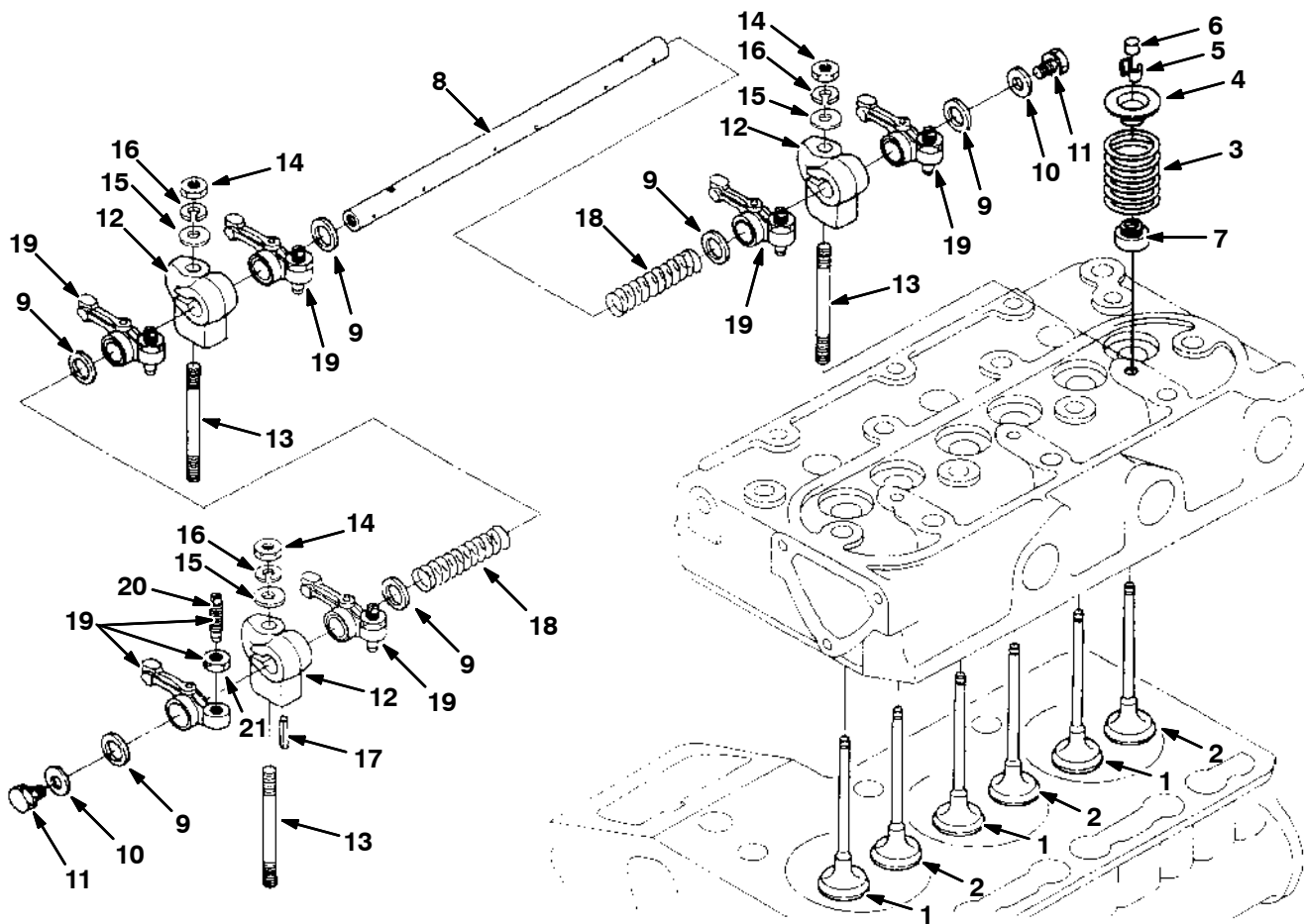
Fig. 18 - Water Pump Group



353027

	Ref.	Tennant Part No.	Kubota Part Number	Description	Qty.
∇	1	393582	19883-7303-0	Pump, Water	1
▲	2	393583	15852-7352-0	Flange, Water Pump	1
▲	3	393584	15852-7355-0	Bearing, Ball	1
▲	4	393585	15481-7305-0	Seal Assy, Mechanical	1
▲	5	393586	19883-7351-0	Impeller, Water Pump	1
▲	6	361440	15852-7334-0	Pipe, Water Return	1
	7	361656	15881-7343-2	Gasket, Water Pump	1
	8	39119	01023-50622	Bolt	4
	9	72996	01023-50638	Bolt	1
	10	361584	15841-7425-2	Pulley, Fan Drive	1
	11	393587	16264-7411-2	Fan	1
	12	393588	01754-50610	Bolt, Flange	4

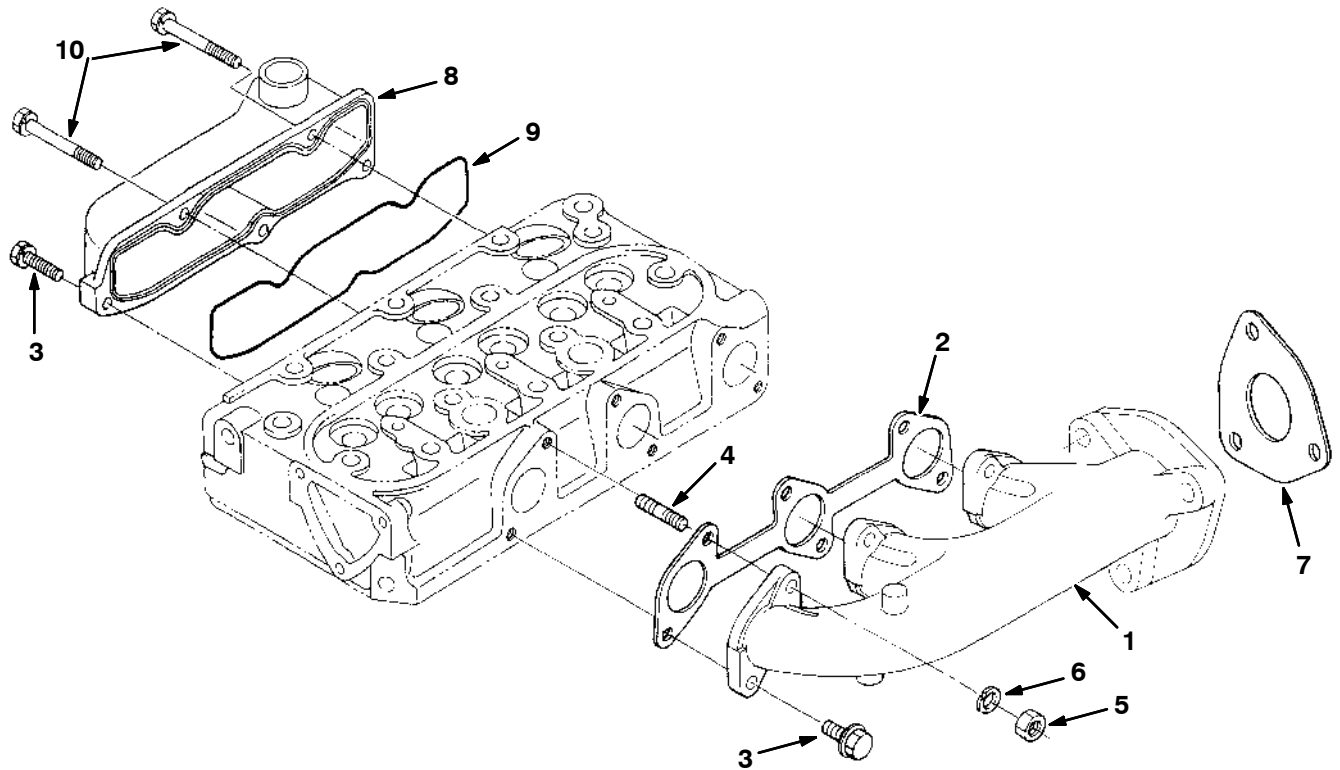
Fig. 19 - Valve and Rocker Arm Group



353028

Ref.	Tennant Part No.	Kubota Part Number	Description	Qty.
1	393595	14601-1311-0	Valve, Inlet	3
2	393596	14601-1312-0	Valve, Exhaust	3
3	361531	14601-1324-1	Spring, Valve	6
4	361532	14601-1333-3	Retainer, Spring	6
5	361533	14601-1336-1	Collet, Valve Spring	6
6	361631	16851-1328-1	Cap, Valve	6
7	393597	11420-1315-0	Seal, Valve Stem	6
8	361596	15861-1426-2	Shaft, Rocker Arm	1
9	361651	16871-1443-1	Washer	6
10	361589	15841-9402-2	Washer, Plain	2
11	393598	01023-50610	Bolt	2
12	361568	15841-1435-1	Bracket, Rocker Arm	3
13	361536	14601-1441-1	Stud	3
14	39121	02056-50060	Nut	3
15	40083	04012-50060	Washer, Plain	3
16	39065	04512-60060	Washer, Spring	3
17	40407	05411-00420	Pin, Spring	1
18	361535	14601-1431-1	Spring, Rocker Arm	2
▽ 19	361566	15841-1403-3	Rocker Arm	6
▲ 20	361567	15841-1423-1	Screw, Adjusting	1
▲ 21	361534	14601-1424-1	Nut	1

Fig. 20 - Manifold Group



353029

Ref.	Tennant Part No.	Kubota Part Number	Description	Qty.
1	361611	16635-12312	Manifold, Exhaust	1
2	361595	15861-1235-0	Gasket	1
3	40409	01023-50618	Bolt	5
4	393599	01513-50618	Stud	3
5	39121	02056-50060	Nut	3
6	39065	04512-60060	Washer, Spring	3
7	393600	15862-12230	Gasket, Muffler	1
8	393601	15862-1176-4	Manifold, Inlet	1
9	393602	15861-1182-0	Gasket, Intake Manifold	1
10	72993	01023-50645	Bolt	3

SECTION 6

CONTENTS

PAGE

PART NUMBER TO PAGE NUMBER CROSS REFERENCE LIST 6-2
PART DESCRIPTION TO PAGE NUMBER CROSS REFERENCE LIST 6-11

CROSS REFERENCE

PART NUMBER TO PAGE NUMBER CROSS REFERENCE LIST

Part Number	Page Number	Part Number	Page Number	Part Number	Page Number
00500-15	2-23, 2-25, 2-27	05012-00508	5-3	09062	2-63
00919	2-59	05012-00814	5-3	09145	2-13, 2-63, 3-5
00928	2-19, 2-25	05411-00318	5-18, 5-19	09146	2-15
01023-50610	5-26	05411-00420	5-26	09164	2-65, 3-9
01023-50612	5-4, 5-11, 5-16	05582	2-23	09200	2-19, 2-21
01023-50616	5-21, 5-22, 5-24	05712-00408	5-3	09244	2-9, 2-67
01023-50618	5-9, 5-19, 5-27	05712-00515	5-15, 5-16	09737	2-7, 2-9
01023-50620	5-13	05712-00518	5-11	09739	2-21, 3-3
01023-50622	5-13, 5-24, 5-25	06121	2-63	09767	2-59
01023-50635	5-18	06549	2-7, 2-9, 2-11, 2-15, 2-53, 2-63, 2-67, 3-6	1002192	2-65
01023-50638	5-25	06933	2-9, 2-11, 2-15, 2-33, 2-53, 2-63	1007012	3-5
01023-50645	5-27	06935	2-9, 3-3	10143	2-47
01023-50650	5-9	06942	2-37, 2-53, 2-61, 2-71	1016827	2-43
01023-50675	5-9	06943	2-43, 2-45, 2-59, 2-61, 2-63, 2-65	1017826	2-2, 2-43
01023-60670	5-9	06944	2-47	1022499	2-67
01053-50614	5-11	06945	2-23	10244-42320	5-20
01053-50618	5-19	06946	2-79	10664	2-83
01123-50814	5-4	06949	2-33	10801	2-2, 2-11
01123-50845	5-22	06950	2-61	10895	5-4
01123-5880	5-22	06955	2-13, 2-41, 2-51	11109	2-29
01123-60816	5-5, 5-23	06956	2-33	11399	2-45
01153-50828	5-23	06957	2-21, 2-51	11420-1315-0	5-26
01311-10620	5-17	06959	2-59	11476	2-33, 2-71
01495	2-63	06961	2-27	11843	2-51
01513-50618	5-27	06972	2-35	12271	2-45
01683	2-19, 2-55, 3-3	06973	2-35	12277	2-59
01685	2-7, 2-9, 2-19	07715-00801	5-16	12916	5-9
01713	2-23, 2-79	07715-03207	5-15	13248	2-27
01714	2-79	07715-03211	5-9	13534	2-23, 2-27
01715	2-31, 2-33	07715-03217	5-16	13766	2-23, 2-25
01754-50610	5-25	07784	2-55	13773	2-59
01754	2-15, 2-79	07790	2-43	13902	4-13
01760	2-61	07791	2-13, 2-25, 2-27, 2-45, 2-51, 3-6	13907	4-3, 4-5, 4-7
02056-50060	5-9, 5-26, 5-27	07797	2-49	14601-0345-2	5-5
02114-50080	5-7, 5-22, 5-23	07810	2-21	14601-1311-0	5-26
02485	2-61	08085	2-65	14601-1312-0	5-26
02783-50100	5-3	08103-06203	5-16	14601-1324-1	5-26
02850	2-5, 2-9	08153-06203	5-16	14601-1333-3	5-26
03024-50520	5-20	08175	2-51	14601-1336-1	5-26
03394	2-55	08708	2-15, 2-19, 2-23, 2-37, 2-45, 2-47, 2-51, 2-61, 2-63, 2-65, 2-67, 2-79, 3-5, 3-9	14601-1424-1	5-26
03433	2-59	08709	2-7, 2-9, 2-13, 2-21, 2-27, 2-33, 2-35, 2-37, 2-39, 2-49, 2-53, 2-59, 2-61, 2-63, 2-67, 2-69, 2-79	14601-1431-1	5-26
04012-50060	5-26	08711	2-23, 2-31, 2-35	14601-1441-1	5-26
04012-50080	5-22	08793	2-17	15021-3366-0	5-21
04013-50080	5-22	08875	3-10	15109-3366-1	5-4
04013-60080	5-7	09037	2-33	15221-0175-0	5-5
04414	2-35	09043	3-6	15221-3365-0	5-3
04512-50080	5-22			15221-3370-1	5-3, 5-5
04512-60050	5-18			15221-3375-2	5-4
04512-60060	5-9, 5-17, 5-26, 5-27			15221-8821-0	5-9
04512-60080	5-23			15231-3396-0	5-3
04612-00170	5-16			15231-6301-6	5-23
04657	2-29			15241-3229-2	5-9
04658	2-29			15261-0337-0	5-5
04811-00160	5-4			15261-2133-0	5-15
04811-06130	5-9			15261-2353-2	5-15
04811-10070	5-19			15261-2354-2	5-15
04811-10160	5-19			15261-2395-2	5-15
04811-16220	5-15			15261-2396-2	5-15
04811-50300	5-7			15261-2397-2	5-15

CROSS REFERENCE

Part Number	Page Number	Part Number	Page Number	Part Number	Page Number
15261-2398-2	.. 5-15	15841-5721-2	.. 5-19	16213 2-79
15261-5547-1	.. 5-16	15841-5724-0	.. 5-19	16221-54420	... 5-21
15261-6641-1	.. 5-18	15841-5792-0	.. 5-19	16241-64011	... 5-22
15261-9202-0	.. 5-21	15841-7292-2	.. 5-24	16241-7336-1	.. 5-24
15261-9601-2	.. 5-3, 5-5	15841-7302-1	.. 5-3	16264-5214-0	.. 5-21
15261-9616-1	.. 5-3	15841-7326-1	.. 5-24	16264-7411-2	.. 5-25
15321-9626-0	.. 5-5	15841-7425-2	.. 5-25	16635-12312	... 5-27
15451-9627-1	.. 5-3	15841-9101-1	.. 5-9	16667-5715-0	.. 5-19
15481-7305-0	.. 5-25	15841-9105-1	.. 5-3	16695 4-11
15521-9361-5	.. 5-11	15841-9150-2	.. 5-17	16735 2-25, 2-27
15521-9602-2	.. 5-3	15841-9201-0	.. 5-19	16851-0404-2	.. 5-13
15521-9603-2	.. 5-3	15841-9202-1	.. 5-21	16851-0409-2	.. 5-13
15555-1 2-43	15841-9232-0	.. 5-17	16851-1328-1	.. 5-26
15555-2 2-43	15841-9233-0	.. 5-21	16851-1511-1	.. 5-11
15601-9665-1	.. 5-7, 5-19, 5-20, 5-21	15841-9401-1	.. 5-9	16851-1555-1	.. 5-11
15676-7327-0	.. 5-24	15841-9402-2	.. 5-26	16851-1621-0	.. 5-3
15694-2393-2	.. 5-15	15841-9568-0	.. 5-17	16851-2111-2	.. 5-15
15694-2394-2	.. 5-15	15841-9602-2	.. 5-5	16851-2131-0	.. 5-15
15841-0454-1	.. 5-13	15852-0436-1	.. 5-13	16851-2190-0	.. 5-15
15841-0456-2	.. 5-13	15852-2516-1	.. 5-23	16851-2198-0	.. 5-15
15841-0481-3	.. 5-13	15852-3314-1	.. 5-7	16851-2201-0	.. 5-15
15841-0482-2	.. 5-13	15852-5285-1	.. 5-21	16851-2214-1	.. 5-15
15841-0514-2	.. 5-7	15852-7334-0	.. 5-25	16851-2232-0	.. 5-15
15841-0515-2	.. 5-7	15852-73340	... 5-24	16851-3211-1	.. 5-4
15841-0537-2	.. 5-7	15852-7352-0	.. 5-25	16851-3501-1	.. 5-3
15841-0551-1	.. 5-7	15852-7355-0	.. 5-25	16851-3695-1	.. 5-9
15841-0567-2	.. 5-7	15861-1182-0	.. 5-27	16851-5115-0	.. 5-16
15841-1354-2	.. 5-5	15861-1235-0	.. 5-27	16851-5371-2	.. 5-20
15841-1356-2	.. 5-5	15861-1426-2	.. 5-26	16851-5372-2	.. 5-20
15841-1403-3	.. 5-26	15861-2297-2	.. 5-15	16851-6382-1	.. 5-23
15841-1423-1	.. 5-26	15861-2298-2	.. 5-15	16851-6551-2	.. 5-20
15841-1435-1	.. 5-26	15861-2347-2	.. 5-15	16851-7335-0	.. 5-24
15841-1462-1	.. 5-7	15861-2386-2	.. 5-15	16851-9601-1	.. 5-9
15841-1627-2	.. 5-11	15861-2387-2	.. 5-15	16851-9626-1	.. 5-3
15841-1632-1	.. 5-16	15861-2391-2	.. 5-15	16851-9627-1	.. 5-3
15841-2325-1	.. 5-15	15861-2392-2	.. 5-15	16853-2105-0	.. 5-15
15841-2411-1	.. 5-15	15862-0150-5	.. 5-4	16853-2109-0	.. 5-15
15841-3566-2	.. 5-3	15862-04170	... 5-9	16853-36411	... 5-9
15841-3693-1	.. 5-9	15862-1176-4	.. 5-27	16861-0405-2	.. 5-13
15841-3901-1	.. 5-3	15862-12230	... 5-27	16861-1451-3	.. 5-7
15841-4250-1	.. 5-20	15862-3515-2	.. 5-3	16861-1452-0	.. 5-7
15841-5136-2	.. 5-20	15862-4250-2	.. 5-20	16861-1602-0	.. 5-16
15841-5362-2	.. 5-20	15875-1617-0	.. 5-16	16861-2348-0	.. 5-15
15841-5385-0	.. 5-20	15875-2401-4	.. 5-11	16861-2349-0	.. 5-15
15841-5386-1	.. 5-20	15875-2425-1	.. 5-11	16861-2501-3	.. 5-23
15841-5409-2	.. 5-21	15875-2432-1	.. 5-11	16861-5373-2	.. 5-20
15841-5410-0	.. 5-21	15875-2437-2	.. 5-11	16861-6556-0	.. 5-20
15841-5412-2	.. 5-21	15877-0414-0	.. 5-9	16861-9331-1	.. 5-7
15841-5422-0	.. 5-21	15881-0555-1	.. 5-7	16863-2301-0	.. 5-15
15841-5427-0	.. 5-21	15881-0559-0	.. 5-7	16864-1601-0	.. 5-11
15841-5545-1	.. 5-16	15881-2331-1	.. 5-15	16864-1651-0	.. 5-11
15841-5569-1	.. 5-16	15881-7343-2	.. 5-25	16871-0331-0	.. 5-5
15841-5606-0	.. 5-18	15881-9102-1	.. 5-24	16871-1443-1	.. 5-26
15841-5611-0	.. 5-19	15881-9103-1	.. 5-15	16873-0101-0	.. 5-3
15841-5613-0	.. 5-18	16000-5605-0	.. 5-18	16873-0304-2	.. 5-5
15841-5615-0	.. 5-18	16001-5300-0	.. 5-20	16875-0402-4	.. 5-9
15841-5623-2	.. 5-18	16006-5101-0	.. 5-17	16875-2498-0	.. 5-11
15841-5628-0	.. 5-9	16006-5209-2	.. 5-17	16875-7270-0	.. 5-24
15841-5648-0	.. 5-18	16006-5211-2	.. 5-17	16875-74282	... 5-22
15841-5711-0	.. 5-19	16006-5212-2	.. 5-17	16878-5774-0	.. 5-19

CROSS REFERENCE

Part Number	Page Number	Part Number	Page Number	Part Number	Page Number
16931	2-5, 2-11, 2-13, 2-17, 2-19, 2-21, 2-33, 2-35, 2-37, 2-45, 2-49, 2-53, 2-61, 2-67, 2-69, 2-71, 2-79, 2-81, 2-83, 3-6	24199	2-55	32981	2-19, 2-83
17331-5919-1	5-3	24339	2-31	32985	2-25, 2-49
17548-64221	5-22	24555	2-19	330455	3-14
17580-5772-0	5-19	24576	3-3	330470	3-14
19064	2-9	24698	2-43	330471	3-14
19066	2-7, 2-9, 2-11, 2-15, 2-21, 2-33, 2-53, 2-57, 2-79, 3-6	24835	2-27	330472	3-14
19077-5365-2	5-20	24988	2-27	330473	3-14
19203-7301-2	5-24	24989	2-27	330474	3-14
19215-2328-0	5-15	25312	3-13	330710	3-14
19215-9916-0	5-13	25664	2-59	330715	3-14
19320	2-71	26414	2-37	33723	2-75
19461-5641-0	5-18	27880	2-23, 2-79	33944	2-15
19461-8334-0	5-9	28144	2-71	34357	2-77, 2-83
19462-8813-0	5-9	28281	2-31	34359	2-51
19666-0462-1	5-23	28296	2-65	34738	2-63
19805-72530	5-22	29499	2-51	34813	2-15
19837-64372	5-22	29601	2-53	34848	3-3
19883-7303-0	5-25	30013	2-5, 2-41, 2-61	360467	2-37, 2-71
19883-7351-0	5-25	30131	5-20	360520	2-15
20100	5-7, 5-22, 5-23	30132	5-20	360721	2-35
20394	2-11, 2-71	30135	5-7	360801	2-13, 2-33, 2-63, 2-69
20634	2-77	30136	5-21	360872	2-43
20719	5-20	31354	4-11	360917	2-19
21168	2-13, 2-17, 2-21, 2-45, 2-57	31373	4-11	360959	2-35
21195	2-49	31380	4-11	360973	2-13, 2-57, 2-63
21197	2-35	31385	4-11	361023	2-2, 2-83
21630	3-6	31599	2-31	361075	2-15
21802	5-15	31705	2-79	361118	2-35
21916	4-13	31988	2-15	361339	3-13
21925	4-3, 4-5, 4-7	32129	2-11, 2-53	361361	5-17
21932	4-13	32183	2-43	361365	5-22
21963	4-3, 4-5, 4-7	32483	2-15, 2-23, 2-37, 2-43, 2-47, 2-59, 2-63, 2-65, 2-69, 2-71, 3-5	361368	5-20
222158	2-63	32485	2-43, 2-77	361370	5-4
222268	2-61	32486	2-35	361373	5-20
222375	2-57	32490	2-17, 2-19, 2-21, 2-33, 2-45, 2-51, 2-61, 2-65, 2-71, 2-79, 2-83, 3-5	361374	5-7
222460	2-19, 2-67	32491	2-5, 2-11, 2-13, 2-17, 2-21, 2-23, 2-25, 2-27, 2-33, 2-35, 2-37, 2-45, 2-49, 2-51, 2-53, 2-59, 2-61, 2-63, 2-67, 2-69, 2-71, 2-79, 2-83	361403	5-13
222496	2-51	32492	2-35, 2-39, 2-49, 2-51, 2-59	361410	5-13
222516	2-69	32493	2-27, 2-49, 2-51	361438	5-17
222556	2-17, 2-33	32508	2-53	361440	5-24, 5-25
222648	2-19	32515	2-37	361441	5-9
222683	2-15	32548	2-13	361443	5-23
222786	2-19	32613	2-53	361449	5-3
22290	2-19	32614	2-53	361451	5-18
22297	2-39	32662	2-9	361452	5-9
223073	2-25	32669	2-53	361453	5-15
223198	2-33, 2-69	32716	2-69	361503	5-9
22654	4-11	32899	3-6	361530	5-5
23498	2-71			361531	5-26
23524-1	2-23			361532	5-26
23574	2-49			361533	5-26
23788-1	2-25			361534	5-26
24012	2-41			361535	5-26
				361536	5-26
				361539	5-15
				361540	5-15
				361541	5-16
				361542	5-18
				361544	5-22
				361547	5-15

CROSS REFERENCE

Part Number	Page Number	Part Number	Page Number	Part Number	Page Number
361548	5-15	361639	5-23	373291	4-10
361556	5-13	361641	5-9	373303	4-3
361557	5-7	361642	5-3	373304	4-3
361558	5-7	361643	5-3	373305	4-3, 4-5
361559	5-7	361644	5-13	373306	4-3
361560	5-7	361645	5-7	373307	4-3
361562	5-7	361646	5-7	373308	4-3
361564	5-5	361648	5-23	373309	4-3
361565	5-5	361650	5-7	373310	4-3
361566	5-26	361651	5-26	373311	4-3
361567	5-26	361652	5-3	373317	4-3, 4-5, 4-7
361568	5-26	361656	5-25	373327	4-3, 4-5, 4-7
361569	5-11	36190	2-27	373345	4-3, 4-5
361570	5-16	36376	2-67	373346	4-3, 4-5, 4-7
361573	5-15	364102	2-77, 4-8	373347	4-3, 4-5, 4-7
361574	5-15	364342	2-33	373348	4-3, 4-5, 4-7
361575	5-3	364889	2-79	373349	4-3, 4-5
361576	5-9	366026	2-15	373350	4-9
361578	5-16	367156	2-59	373351	4-9
361579	5-16	367375	2-13	373352	4-9
361580	5-18	367383	2-37	373353	4-9
361581	5-19	367403	2-33	373354	4-9
361583	5-24	367404	2-9, 2-21, 3-6	373355	4-9
361584	5-25	367451	2-37	373356	4-9
361585	5-9	367452	2-37	373377	4-10
361586	5-3	367679	2-69	373378	4-10
361588	5-9	367949	3-10	373379	4-10
361589	5-26	367988	2-2	373380	4-10
361590	5-13	367989	2-2	373381	4-10
361591	5-23	367990	2-2	373382	4-10
361594	2-2, 5-9	367991	2-2	373383	4-10
361595	5-27	367992	2-2	373384	4-10
361596	5-26	368063	5-17	373385	4-10
361601	5-15	368064	5-17	373386	4-10
361602	5-15	368164	2-2	373388	2-77, 4-5
361603	5-15	368293	5-22	373389	4-5, 4-7
361605	5-15	368410	2-79	373390	4-5, 4-7
361606	5-15	368412	2-79	373391	4-5, 4-7
361607	5-15	369704	2-59	373392	4-5
361608	5-15	370914	4-14	373393	4-5, 4-7
361609	5-4	370915	4-14	373394	4-5, 4-7
361611	5-27	370916	4-14	373395	4-5, 4-7
361612	5-3	370917	4-14	373397	4-5
361616	5-11	370919	4-14	373398	4-5, 4-7
361617	5-11	370921	4-14	373402	4-5, 4-7
361619	5-11	371017	5-13	373413	4-7
361620	5-11	373201	4-8	373426	2-77
361621	5-9	373202	4-8	373427	4-7
361622	5-7	373203	4-8	373428	4-7
361624	5-15	373204	4-8	373429	4-7
361627	5-24	373205	4-8	373434	4-7
361628	5-15	373206	4-8	374049	2-29
361630	5-13	373207	4-8, 4-9	37555	4-11
361631	5-26	373208	4-8, 4-9	379607	2-49, 4-11
361632	5-11	373217	4-10	381416	2-95
361633	5-11	373225	4-3	381417	2-108
361634	5-15	373226	4-10	381429	2-27
361635	5-4	373234	4-9	381430	2-31
361636	5-3	373236	4-10	381432	2-31
361638	5-9	373285	4-9	381433	2-31

CROSS REFERENCE

Part Number	Page Number	Part Number	Page Number	Part Number	Page Number
381434	2-31	381766	2-71	381964	2-49
381437	2-3	381767	2-71	381969	2-61
381443	2-43	381768	2-71	381971	2-59
381446	2-65	381771	2-71	381972	2-69
381447	2-49	381772	2-71	381973	2-61
381453	2-11	381773	2-71	381974	2-61
381454	2-13	381775	3-9	381976	2-65
381455	2-13	381776	3-9	381978	2-63
381458	2-71	381781	2-19	381980	2-61
381460	2-71	381783	2-11	381981	2-63
381464	2-71	381784	2-11	381982	2-63
381467	3-5	381785	2-53	381983	2-61
381475	2-59	381789	2-63	381984	2-61
381479	2-59	381792	2-15	381985	2-61
381480	2-67	381793	2-15	381986	2-23
381486	2-61	381796	2-79	381988	2-27
381488	2-49	381821	2-63	381991	2-17
381489	2-49	381822	2-25	381998	2-13
381491	2-49	381830	2-77, 4-3	382036	2-79
381492	2-49	381839	2-25	382042	2-13
381496	2-63	381841	2-31, 4-10	382043	2-37
381498	2-51	381843	2-59, 4-9	382044	2-13
381502	2-33, 2-51	381845	2-81, 4-13	382053	2-11
381503	2-51	381852	2-75	382058	2-13
381508	2-49	381854	2-75	382073	2-67
381516	2-49	381855	2-75	382075	2-25
381517	2-49	381856	2-75	382077	2-23
381518	2-49	381857	2-75	382080	2-19
381519	2-49	381858	2-75	382082	2-25
381525	2-59	381859	2-75	382083	2-25
381528	2-69	381860	2-75	382086	2-23
381531	2-69	381861	2-75	382091	2-23
381542	2-33	381862	2-75	382096	2-23
381577	2-21	381863	2-75	382097	2-23
381580	2-19	381864	2-75	382099	2-23, 2-25
381581	2-21	381865	2-75	382100	2-39
381600	2-35	381866	2-75	382101	2-39
381614	2-35	381867	2-75	382117	2-27
381615	2-35	381868	2-75	382119	2-43
381620	2-5	381869	2-75	382127	2-27
381623	2-45	381893	2-63	382138	2-55
381624	2-35	381895	2-65	382143	2-19
381628	2-45	381897	2-63	382151	2-19
381630	2-45	381900	2-31	382152	2-19
381634	2-43	381901	2-27	382159	2-19
381668	2-39	381909	2-45	382167	2-110
381686	2-83	381918	3-8	382175	2-19
381696	2-83	381939	2-49	382179	2-23
381697	2-2, 2-83	381940	2-63	382180	2-33
381699	2-43	381941	2-63	382181	2-33
381711	2-25	381942	2-67	382184	2-13
381712	2-25	381948	2-51	382185	2-21
381718	2-27	381952	2-65	382188	2-19
381736	2-25	381956	2-59	382199	2-23
381737	2-71	381957	2-63	382200	2-17
381747	2-17	381958	2-65	382201	2-17
381753	2-11	381959	2-65	382206	2-23
381755	2-13	381961	2-51	382209	2-19
381758	2-11	381962	2-63, 3-12	382210	2-17
381764	2-71	381963	2-49	382217	2-31

CROSS REFERENCE

Part Number	Page Number	Part Number	Page Number	Part Number	Page Number
382218	2-31	382422	2-15	382587	2-13
382219	2-31, 2-33	382423	2-57	382588	2-13
382220	2-31, 2-33	382425	2-57	382589	2-7
382222	2-31, 2-33	382426	2-57	382590	2-7
382223	2-31, 2-33	382427	2-2, 2-57	382591	2-53
382224	2-33	382429	2-13	382592	2-15
382225	2-31	382431	2-11	382593	2-13
382228	2-110	382433	2-57	382594	2-13
382235	2-37	382441	2-57	382595	2-13
382249	2-79	382442	2-41	382596	2-13
382251	2-11	382443	2-57	382597	2-7
382264	2-9	382446	2-57	382598	2-7
382266	2-43	382449	2-57	382599	2-7
382269	2-79	382452	2-57	382600	2-7
382271	2-27	382454	2-57	382601	2-53
382280	2-15, 2-19, 3-3	382457	2-21	382602	2-53
382282	2-21	382459	3-3	382603	2-43
382291	2-19	382463	2-77	382605	3-11
382297	2-7	382466	2-21	382606	2-63
382298	2-55	382475	2-71	382607	2-69
382299	2-55	382479	2-61	382609	2-19
382313	2-41	382480	2-61	382610	2-19
382318	2-7	382482	2-71	382611	2-19
382319	2-7, 2-9	382487	2-21	382612	2-21
382320	2-11	382488	2-21	382613	2-43
382321	2-11	382489	2-13	382615	2-49
382322	2-13	382490	2-13	382618	3-14
382323	2-13	382492	2-13	382619	2-59
382324	2-13	382493	2-2, 2-39	382620	2-13
382325	2-13	382494	2-15	382621	2-13
382326	2-13	382498	2-17	382622	2-13
382335	2-39	382505	2-71	382623	2-13
382366	2-41	382507	2-45	382626	3-6
382368	2-35	382510	2-17	382628	2-79
382371	3-13	382511	2-79	382632	2-5
382373	3-6	382512	2-43	382634	2-71
382375	3-9	382515	2-53	382635	2-2, 2-61
382376	2-107	382516	2-15	382639	2-39
382378	3-7	382517	2-2, 2-57	382643	2-71
382380	3-5	382518	2-69	382662	2-47
382382	3-3	382519	2-69	382665	2-47
382387	2-110	382521	2-69	382668	2-33
382389	2-79	382525	2-21	382676	2-9
382390	2-53	382526	2-13	382677	2-9
382391	2-2, 2-63	382528	2-65	382678	2-9
382392	2-53	382533	2-69	382681	2-47
382399	2-61	382534	2-69	382682	2-5
382400	2-61	382535	2-69	382683	2-5
382401	2-110	382538	2-41	382684	3-11
382404	3-7	382539	2-47	382689	2-49
382406	2-61	382540	2-59	382695	2-9
382407	2-61	382541	2-59	382700	2-2, 2-65
382410	2-53	382543	2-57	382702	2-9
382412	2-13	382544	2-69	382703	2-15
382413	2-106	382547	2-2, 2-11, 2-53	382718	2-65
382414	2-53	382548	2-55	382723	2-65
382415	2-11	382550	2-55	382724	2-65
382417	3-5	382552	2-37	382725	2-65
382418	3-5	382585	2-11	382726	2-65
382421	2-15	382586	2-19	382732	2-65

CROSS REFERENCE

Part Number	Page Number	Part Number	Page Number	Part Number	Page Number
382735	2-95	383013	2-21	393526	5-15
382738	2-59	383016	2-19	393527	5-15
382742	2-65	383030	2-105	393528	5-15
382743	2-59	383165	2-15	393529	5-15, 5-16
382745	2-57	38490	4-10	393530	5-15
382747	2-11	385997	4-14	393531	5-15
382748	2-9	385998	4-14	393532	5-16
382749	2-45	39005	2-7, 2-9, 2-31, 2-33	393533	5-16
382750	2-45	39051	5-3	393534	5-16
382751	2-45	39052	5-3	393535	5-16
382753	2-9	39063	5-3, 5-5	393537	5-16
382754	2-9	39065	5-9, 5-17, 5-26, 5-27	393538	5-16
382765	2-7	39073	5-4	393539	5-16
382771	2-17	39088	5-3, 5-5	393540	5-17
382773	2-9	39093	5-5	393541	5-17
382782	2-59	39094	5-5, 5-23	393542	5-18
382784	3-6	39097	5-22, 5-23	393543	5-18
382798	2-53	39117	5-16	393544	5-18
382799	3-10	39119	5-13, 5-24, 5-25	393545	5-18
382845	2-45	39120	5-9	393546	5-18
382846	2-45	39121	5-9, 5-26, 5-27	393547	5-18
382853	2-75	39148	5-22	393548	5-18
382854	3-10	39160	5-11	393549	5-18
382855	2-53	39197	5-11	393550	5-19
382856	2-41	39277	2-5, 2-9, 2-13, 2-19, 2-25, 2-27, 2-35, 2-37, 2-59, 2-69	393551	5-19
382859	2-53			393552	5-19
382862	2-17			393553	5-19
382869	2-5	39279	2-69	393554	5-19
382870	2-5	39308	2-35	393555	5-19
382874	2-11, 2-53	39311	2-5, 2-19, 2-37, 2-41	393556	5-19
382875	2-41	39338	2-25	393557	5-19
382879	2-9	39349	2-35, 2-45, 2-79, 2-81, 3-6	393558	5-19
382880	2-9			393559	5-19
382887	2-11	39350	2-41, 2-59	393560	5-19
382888	2-9	393500	5-3	393561	5-20
382922	2-33	393501	5-3	393562	5-20
382924	2-109	393502	5-3	393563	5-20
382925	2-33	393503	5-5	393564	5-20
382931	2-11, 2-57	393504	5-5	393565	5-20
382932	2-5	393505	5-5	393566	5-20
382933	2-5	393506	5-7	393567	5-20
382934	2-5	393507	5-9	393568	5-21
382936	2-9	393508	5-9	393569	5-21
382961	2-13	393509	5-9	393570	5-21
382963	2-9	393510	5-9	393571	5-21
382981	3-8	393511	5-9	393572	5-21
382985	3-12	393512	5-9	393573	5-21
382987	3-8	393513	5-9	393574	5-21
382988	3-12	393514	5-11	393575	5-22
382991	3-12	393515	5-11	393576	5-23
382992	2-9	393516	5-13	393577	5-23
382993	2-9	393517	5-13	393578	5-24
382994	2-9	393518	5-13	393579	5-24
382995	2-9	393519	5-15	393580	5-24
382996	2-9	393520	5-15	393581	5-24
382997	2-9	393521	5-15	393582	5-25
383000	3-12	393522	5-15	393583	5-25
383010	2-21	393523	5-15	393584	5-25
383011	2-21	393524	5-15	393585	5-25
383012	2-21	393525	5-15	393586	5-25

CROSS REFERENCE

Part Number	Page Number	Part Number	Page Number	Part Number	Page Number
393587	5-25	51176	2-35	70888	5-3
393588	5-25	51194	5-15	70913	5-7
393595	5-26	51276	5-15	70964	5-20
393596	5-26	51277	5-15	70974	5-21
393597	5-26	51285	5-3	70995	5-24
393598	5-26	51305	2-45	70998	5-3
393599	5-27	51321-3	2-45	71721	2-77, 4-3, 4-5, 4-7
393600	5-27	51387	5-15	71891	2-13
393601	5-27	51534	2-51	71987	5-3
393602	5-27	51824	2-23, 2-25	71988	5-3
393603	5-22	54096	2-51	71990	5-3
393604	5-22	54274	2-41, 2-59	71995	5-4, 5-11, 5-16
393605	5-22	54395	2-45	71999	5-5
393606	2-2, 5-22	55035	2-21	72010	5-5
393623	5-11	55271	2-15	72728	2-79
393664	2-53	55272	2-15, 3-5	72970	2-15, 2-17
39658	2-15	55586	2-81	72993	5-27
398348	2-2	55685	2-59, 2-83	72994	5-9
398349	2-2	55925	4-3, 4-5	72996	5-25
39987	2-79	55926	4-3, 4-5, 4-7	73411	2-79
40083	5-26	56186	2-15	73512	5-11
40166	5-7, 5-19, 5-20, 5-21	56690	2-83	73555	5-20
40203	5-3	56692	2-31, 2-49, 2-77,	73562	5-17
40231	5-7		2-83	73563	5-17
40405	5-19	56820	2-81	73565	5-21
40407	5-26	56821	2-49	73606	5-21
40409	5-9, 5-19, 5-27	57248	2-53	73607	5-21
41178	2-63, 2-65	57496	2-27	73634	5-24
41186	2-13, 2-79	57751	2-15	74094	4-11
41346	2-27	57803	2-15	74098	4-10, 4-13
41431	2-27	58286	2-35	74100	4-11
41445	2-35	58595	2-11, 2-37, 2-67	74101	4-11
41792	5-4	59009	2-33	74145	4-13
41973	5-21, 5-22, 5-24	59015	2-43	74180	4-3, 4-5, 4-7
42226	2-77, 2-81	60711	2-35	74225	4-3, 4-5, 4-7
42227	2-59, 2-77, 2-83	61920	3-6	74226	4-3, 4-5, 4-7
43242	2-37	62595-15	2-71	74229	4-3
43844	2-43, 2-53, 2-55,	62595-16	2-5	74230	4-3, 4-5
	2-57	63244-1	2-53	74237	4-3, 4-5, 4-7
44868	2-77, 2-81	65145-1	2-77	74250	4-11
44961	2-57	65221	2-2, 2-83	75575	2-69
45482	2-77	65232	4-11	75934	2-79
45628	4-11	65240	4-13	762515	2-95
45780	2-2, 2-11, 2-53	65665	2-21	762516	2-95, 2-105, 2-109
46236	2-25	67366	2-49	76570	2-5, 2-13, 2-19, 2-33,
46559	2-77	67555	2-23, 2-25		2-37, 2-39, 2-41,
47655	2-45, 2-83	67767	2-57, 2-79		2-59, 2-67, 2-79
47719	2-27	68866	2-79	77001	4-13
47801	2-27	68872	2-47	77003	4-13
48570-1	2-15	68873	2-47	77097	2-31, 2-51, 2-81
48985	2-23, 2-25	69495	2-71	77284	2-71
49263	2-15	69582	2-31, 2-33	78553	2-21
49266	2-15, 2-39, 2-47,	69659	2-37	78572	2-29
	2-53	69899	2-43	78785	2-79
49697	2-5	70000-152410	5-9	79273-4	2-53
50121	2-49	70006	2-83	79711	4-13
50388	2-23	70096	4-3, 4-5, 4-7	79716	4-13
50902	2-43, 2-51	70100	4-3, 4-5, 4-7	79719	4-13
51020	5-15	70173	2-43	79728	4-13
51109	2-33	70650	2-19, 2-23, 2-27	79731	4-13

CROSS REFERENCE

Part Number	Page Number
79739	4-13
79740	4-13
80192	2-67
80218	2-13, 2-17
80277	2-15, 2-19
80326	2-15, 3-3, 3-5
80425	2-19, 2-23, 2-67
80429	2-19, 2-23, 2-67
80448	2-71
80480	2-67
80491	2-19, 2-65
80950	2-67
80979	2-67
82526	2-43
82544	2-43
82709	2-47
82829	2-35
82831	2-45
84039	2-59
84638	5-20
86877	2-110
87173	2-55
87308	2-45
87536	2-15
87821	2-13
87866	2-15
87940	5-3
87948	3-3
87972	2-45
90601	2-11
90602	2-53
90604	2-11, 2-53
90605	2-9, 2-11, 2-53

PART DESCRIPTION TO PAGE NUMBER CROSS REFERENCE LIST

A

Actuator, Valve, Bypass [113393-001],
4-7
Alternator, 12v, 40a, 5-22
Angle Wldt, 2-5
Angle, Battery, Lh, 2-47
Angle, Battery, Rh, 2-47
Angle, Deflector, Air, 2-11
Arm Assy, 2-23
Arm Wldt, Damper, 2-69
Arm Wldt, Latch, Rh, 2-9
Arm Wldt, Pedal, Brake, 2-33
Arm, Brush, Side, Lh, 2-49
Arm, Brush, Side, Rh, 2-49
Arm, Handle, 2-69
Arm, Wldt, Latch, Lh, 2-9

B

Backplate Assy, 4-8, 4-9
Backplate, 4-3, 4-5
Bag, Plastic, Six Roll, 90 Bags, 2-63
Bag, Poly, Roll (15Ct), 2-63
Bag, Poly, Roll, 15 Bag, 2-2
Bag, 2-13
Ball, 5-9, 5-15, 5-16
BallJoint, .50-20 Lh, 2-23
Balljoint, .50-20, 2-25
Bar, 2-23
Battery, 12v, Wet, 2-47
Bearing Thrust, 4-11
Bearing, Ball, 1.50B, 2.63D 0.56W, 2-25
Bearing, Ball, 2-23, 2-27, 5-16, 5-25
Bearing, Brake, 2-33
Bearing, Cone, Pump, Hyd, 4-7
Bearing, Cone, 2-27, 4-3, 4-5
Bearing, Cup, 2-27, 4-7
Bearing, Flange, 2-19, 2-25
Bearing, Half, 1.00 Dia, 2-33, 2-51
Bearing, Sleeve, 2-37
Bearing, Thrust, Pump, Hyd, 4-7
Bearing, Thrust, 4-3, 4-5
Bearing, 2-23, 2-27
Belt, V, 2-2
Bezel, Headlight, 2-11
Body Assembly, 4-8
Bolt Assy, Adjusting, 5-21
Bolt, Adjusting, 5-21
Bolt, Bearing Case, 5-13
Bolt, Connecting Rod, 5-15
Bolt, Cylinder Head, 5-5
Bolt, Eye, .38-16x3.2x .28 Eye, 2-51
Bolt, Flange, 5-25
Bolt, Flywheel, 5-23
Bolt, Shld .31d X 1.00, .25-20, 2-79
Bolt, U .25 x 1.25 (Repl. by 382159),
2-19
Bolt, U, M6x2.0, 2-51

Bolt, 2-19, 2-23, 2-67, 5-3, 5-4, 5-5, 5-9,
5-11, 5-13, 5-15, 5-16, 5-17, 5-18,
5-19, 5-21, 5-22, 5-23, 5-24, 5-25,
5-26, 5-27
Boot, Pos., 2-47
Boot, Switch, Ignition, 2-15
Boot, Switch, 2-15
Boot, 2-15, 2-47
Box Wldt, Plenum, 2-59
Box Wldt, Storage, Lockable, 3-10
Box, Voice, 3-5
Bracket Mtg, Steering, 2-21
Bracket Wldt, Brush, Side, 2-49
Bracket Wldt, Hinge, Cover, Front, 2-17
Bracket Wldt, Lift, Vacuum Inlet, 2-67
Bracket Wldt, Mounting, Strobe, 2-9
Bracket Wldt, Mtg, Bearing, 2-27
Bracket Wldt, Mtg, Cable, 2-79
Bracket Wldt, Mtg, Steering, 2-21
Bracket Wldt, Steering, 2-25
Bracket, Alternator, 5-22
Bracket, Angle, Mtg, Switch, Brake Light,
2-33
Bracket, Cover, Lh, 2-61
Bracket, Cover, Rh, 2-61
Bracket, Hanger, Muffler, 2-41
Bracket, Hinge, Lh, 2-63
Bracket, Hinge, Rh, 2-63
Bracket, Latch, 2-61
Bracket, Lift, 2-67
Bracket, Light, Rear, 2-11, 2-53
Bracket, Mtg, Cable, 2-37
Bracket, Mtg, Handle, Vacuum, 2-71
Bracket, Mtg, Lamp, Strobe, 2-7
Bracket, Mtg, Lamp, Tail, 2-53
Bracket, Mtg, Latch, 2-71
Bracket, Mtg, Nozzle, Lh, 2-57
Bracket, Mtg, Nozzle, Rh, 2-57
Bracket, Mtg, Resistor, Tnv, [Hawk], 2-5
Bracket, Mtg, Resistor, 2-5
Bracket, Muffler, 2-41
Bracket, Overflow, 2-45
Bracket, Pivot, 2-19, 2-79
Bracket, Rocker Arm, 5-26
Bracket, Suport, Rh, 2-5
Bracket, Support, Lh, 2-61
Bracket, Support, Rh, 2-61
Bracket, Support, 2-65
Bracket, Supprt, Lh, 2-5
Bracket, Tank, 2-53
Bracket, 2-37, 4-14
Brake Assy, 6.0 Ccw (See Breakdowns),
2-31
Brake Assy, 6.0 Cw (See Breakdowns),
2-31
Breather, Cap, Hyd, 2-83
Brush, Side, 20.0 Dia., 2-3
Bulb, 12V .5A, 2-11, 2-53
Bulb, 2-2, 2-15, 3-3
Bumper, Front, 2-11
Bumper, Rear, 2-13

Bumper, Rh, 2-11
Bumper, Rubber, 2-13
Bumper, Wand, Vacuum, 2-71
Bushing, Flange .75B .81D .75L, Nyl,
2-69
Bushing, Flanged, 2-67
Bushing, Piston Pin, 5-15
Bushing, 5-11
Button, Horn, 2-21
Button, Plug 1.00H .00-.17 Balck, Nyl,
2-21
Button, Plug, 1.1X0.9H [Black Nyl], 2-19

C

Cable, .125D, 06.0L, .375Eye /.375Eye,
2-65
Cable, Battery, Neg., 2-47
Cable, Battery, Pos., 2-47
Cable, Debris Canister, 2-13
Cable, Pull, 2-67
Cable, Push/ Pull, 80.0, 2-79
Cable, Throttle, 2-37
Cable, 2-23
Cam, 4-7, 4-14
Camshaft Assy, Fuel, 5-16
Camshaft, Fuel, 5-16
Camshaft, 5-11
Cap, Bar, 2-19
Cap, Breather, Hyd, 3.8 Ds, 2-2
Cap, Drain, 2-53
Cap, End, 4-10
Cap, Fuel W/Chain, 2-43
Cap, Nozzle, 2-57
Cap, Radiator, 2-45
Cap, Sealing, 5-3, 5-5
Cap, Valve, 5-26
Cap, Vinyl, 2-19
Cap, 5-21
Cartridge, Oil Filter, 5-9
Cartridge, Pilot Check, 4-13
Cartridge, Pilot Control, 4-13
Cartridge, 4-13
Case Assy, Main Bearing, 5-13
Case, Gear, 5-9
Case, Governor Ball, 5-16
Catch, Cover, 2-17
Catch, 2-71
Chain, Sash, 2-63
Channel Wldt, Filter, Lh, 2-61
Channel Wldt, Filter, Rh, 2-61
Channel, Wldt, Steering, 2-25
Circuitbreaker 15A, 2-15
Clamp, Cable, .025D 0.56W Stl, 2-25
Clamp, Cable, Stl, 0.63D X 0.75W, 1H,
2-35
Clamp, Cable, 2-57, 2-79
Clamp, Hose, Wormdrive, 0.25-0.62D,
2-57
Clamp, Offset, 6.0Dia, 2-65
Clamp, Pipe, 5-7, 5-20

CROSS REFERENCE

Clamp, Tube, 2-41, 2-49
Clamp, Wormdrive, 1.56-2.50D, 2-39
Clamp, Wormdrive, 2-43, 2-45, 2-53, 2-55, 2-71
Clamp, 2-37
Cleaner, Air, 2-39
Clevis, Adj, .31 Pin .31-24, 2-33
Clevis, Adj, .31, 2-31
Clip, [Pine-Tree], .250h, Plstc, 2-17
Clip, External, 5-16
Clip, Governor Sleeve, 5-16
Clip, Pine Tree, 2-45
Clip, Pipe, 5-20
Clip, Piston, 5-15
Clip, Retainer, 2-71
Coil, 12V, 4-13
Collar, Crankshaft, 5-15
Collar, Idle Gear, 5-11
Collar, 5-19, 5-22
Collet, Valve Spring, 5-26
Contact, Switch, 2-21
Cooler, Hydraulic, 2-45
Cord, Glow Plug, 5-20
Coupler, Hyd Pump, 4-3, 4-5
Coupling, Drive, 1.2d 1.5l 09tooth, 4-7
Coupling, Flywheel, 2-35
Coupling, Hose, 2-65
Coupling, Steering, 2-21
Coupling, 2-77
Cover Assy, Blue W/Labels, 2-7
Cover Assy, Green W/Labels, 2-7
Cover Assy, Purple W/Labels, 2-7
Cover Assy, Red W/Labels, 2-7
Cover Assy, White W/Labels, 2-7
Cover Assy, Yellow W/Labels, 2-7
Cover Wldt, Filter, Lh, 2-61
Cover, Bearing Case, 5-13
Cover, Blue, 2-13
Cover, Cylinder Head, 5-7
Cover, End, 4-7
Cover, Fuel Camshaft, 5-3
Cover, Gas, 2-11
Cover, Green, 2-13
Cover, Purple, 2-13
Cover, Rear, Blue, w/Label, 2-13
Cover, Rear, Green, w/Label, 2-13
Cover, Rear, Purple, w/Label, 2-13
Cover, Rear, Red, w/Label, 2-13
Cover, Rear, White, w/Label, 2-13
Cover, Rear, Yellow, w/Label, 2-13
Cover, Red, 2-13
Cover, Steering, Blue, 2-21
Cover, Steering, Green, 2-21
Cover, Steering, Mechanical w/Label, 2-19
Cover, Steering, Mechanical, 2-19
Cover, Steering, Purple, 2-21
Cover, Steering, Red, 2-21
Cover, Steering, White, 2-21
Cover, Steering, Yellow, 2-21
Cover, Thermostat, 5-24
Cover, White, 2-13
Cover, Wldt, Filter, Rh, 2-61

Cover, Yellow, 2-13
Cover, 5-9, 5-21
Crankcase, 5-3
Crankshaft, 5-15
Cup, Bearing, 4-5
Cylinder, Hyd, 2-51

D

Dampener, Engine, 2-35
Damper Wldt, Flow, 2-69
Door, Wldt, Vacuum Wand, 2-71
Draincock, 2-45, 5-3
Drive Gear Assy, 4-8, 4-9
Drive, Main, 4-10
Drive, 4-11

E

Element, Air-Clnr, 2-2
Element, Breather, 5-7
Element, Cleaner, Air, 2-39
Element, Filter, 2-2, 2-83
Element, Fltr, Air, [Dn#P831520], 2-2
End Cap, 4-11
Engine Assy, Kubo Dsl [D722], (See Engine Breakdowns), 2-35
Extinguisher, Fire, 3-13

F

Fan, 5-25
Filter Assy, Fuel, Dsl, 2-43
Filter, Fuel, Element, 2-2, 2-43
Filter, Hinged, 2-2
Filter, Oil, Engine, 2-2
Filter, Oil, Hyd, 2-83
Filter, Panel, 2-61
Fitting, Banjo, Fuel, 2-43
Fitting, Brass, Elbow, 2-43
Fitting, Brass, Str, 2-43
Fitting, Eye, 5-17
Fitting, Grease, 2-27
Fitting, Hyd E45 Jm08/Jf08, 2-49
Fitting, Hyd, E45, JM08/OM08, 2-77
Fitting, Hyd, E90, Jm08/Om12, 2-83
Fitting, Hyd, Elbow, 2-31, 2-45, 2-49, 2-51, 2-77
Fitting, Hyd, Str, 2-31, 2-49, 2-59, 2-77, 2-83
Fitting, Hyd, Tee, 2-31, 2-77
Fitting, Plstc, Elbow, 2-53, 2-55
Fitting, Plstc, Reducer 16Pm x 8Pf, 2-55
Fitting, Plstc, Str, 2-53, 2-57
Fitting, Plstc, 2-55
Fitting, Plug, O-Ring, 4-7
Fitting, Str, 2-43
Fitting, 5-9
Flange, Mounting, 4-11
Flange, Water Pump, 5-25
Flange, Water, 5-24
Flange, 2-27

Flap, Access, 2-17, 2-53
Flap, Air, Pivot, 2-13
Flap, Air, 2-45
Flap, Deflector, 2-57
Flap, Guard, Hose, 2-33
Flasher, 12V, 3-3
Flywheel, 5-23
Frame Wldt, 2-5
Frontplate Assy, 4-8, 4-9
Ftg, Plstc, Tee, 2-57
Ftg-Hyd E45, 2-81
Ftg-Hyd E90, 2-81
Ftg-Hyd Str, 2-81
Fuelline, Pipe, Diesel, 2-43
Fuelline, Pump to Filter, 2-43
Fuelline, Tank to Pump, 2-43
Fuse, 20 Amp, 2-95
Fuse, 30 Amp, 2-95, 2-105, 2-109

G

Gasket, Bearing Case Cover, 5-13
Gasket, Bearing Case, 5-13
Gasket, Cylinder Head, 5-5
Gasket, Fuel Pump, 5-21
Gasket, Gear Case, 5-9
Gasket, Head Cover, 5-7
Gasket, Hyd Cap, 2-83
Gasket, Inlet, Vacuum, 2-65
Gasket, Intake Manifold, 5-27
Gasket, Muffler, 5-27
Gasket, Oil Pump, 5-3, 5-4
Gasket, Thermostat, 5-24
Gasket, Water Flange, 5-24
Gasket, Water Pump, 5-25
Gasket, 2-15, 2-43, 2-53, 3-3, 5-7, 5-19, 5-20, 5-21, 5-27
Gauge, Fuel, 2-15
Gauge, Oil, 5-9
Gear, Camshaft, 5-11
Gear, Crankshaft, 5-15
Gear, Idle, 5-11
Gear, Injection Pump, 5-16
Gear, Oil Pump Drive, 5-3
Gear, Ring, 5-23
Geroler S/A, 4-10
Gerotor Set, 4-11
Grill, Front, 2-11
Grill, Rear, 2-13, 3-7
Grip, Handle, Round, 2-19
Grip, Vinyl, 2-19, 2-37, 2-67, 2-71
Guide, Container, 2-63
Guide, Exhaust Valve, 5-5
Guide, Inlet Valve, 5-5
Guide, Propel (Repl. by 382159), 2-19
Guide, Spring, 2-49
Guide, 3-6

H

Handle Wldt, Speed, 2-19
Handle Wldt, Steering, 2-19

Handle, Container, Rear, 2-63
 Handle, Container, 2-63, 3-12
 Handle, Control, Damper, 2-69
 Handle, Hood, 2-9
 Handle, Latch, 2-63
 Handle, Lift, 2-67
 Handle, Throttle, 2-37
 Handle, Wand, Vacuum, 2-71
 Handle, 2-13
 Harness, Jumper, Strobe, Litterhawk, 2-9
 Harness, Cover, Container, [Euro], 2-9
 Harness, Cover, 2-108
 Harness, Dust Control, 2-107
 Harness, Fuel Shut Off, 2-109
 Harness, Headlight, [Europe], 2-11
 Harness, Headlight, 2-11
 Harness, Main, Tnv [Litterhawk], 2-105
 Harness, Soft Start, 2-106
 Harness, Wire, Main, 2-95
 Head, Cylinder, 5-5
 Headlight, 2-2
 Hex, Screw, M06-1.0x25, 8.8, 2-47
 Hinge Wldt, Cover, Rear, 2-13
 Hinge Wldt, Hood, 2-9
 Hinge, 2-13
 Holder Assy, Nozzle, 5-20
 Holder, Fork Lever, 5-18
 Hook, Deflector, 2-61
 Hook, Engine, 5-5
 Hopper, 2-63
 Horn Assy, Alarm, Backup, 3-6
 Horn, 12V, 2-59
 Hose Retainer Wldt, 2-71
 Hose, Air-clnr, 2-39
 Hose, Coolant, Mold, 2-45
 Hose, Flex, 2-65
 Hose, Fuel, 2-43
 Hose, Hyd, Ar 04, Jf Str/E90, 2-75
 Hose, Hyd, Ar 04, Jf Str/Str, 2-75
 Hose, Hyd, Ar 06, Jf Str/E90, 2-75
 Hose, Hyd, Ar 08, Jf Str/E45, 2-75
 Hose, Hyd, Ar 08, Jf Str/E90, 2-75
 Hose, Hyd, Ar 08, Jf Str/Str, 68.0L, 2-75
 Hose, Hyd, Ar 08, Jf Str/Str, 2-75
 Hose, Hyd, 2-75
 Hose, Inlet, Air-clnr, 2-39
 Hose, Rbr, .188 Id x 37.0L, 2-43
 Hose, Vacuum, 4.0 Id, 2-71
 Hose, Vinyl Brd, 2-53, 2-55, 2-57
 Hose, Vinyl, 2-53
 Hourmeter, Electronic, 2-15
 Housing Wldt, Bearing, 2-23
 Housing, Fan, 2-59
 Housing, Flywheel, 2-35
 Housing, Nozzle, 2-57
 Housing, 4-3, 4-5, 4-7, 4-9, 4-10, 4-11, 4-14
 Hub, Disc Brake 6.0 Od, 2-31
 Hub, Wheel, Rim, Mtg, 2-27
 Hub, 2-79

I

Idle Assy, Adj, 5-21
 Idler Gear Assy, 4-8, 4-9
 Impeller, Water Pump, 5-25
 Impeller, 2-59
 Insert, Plate, Cam, Pump, Hyd, 4-7
 Insert, Plate, 4-3, 4-5
 Instr, Repair, Pump, 4-7
 Insulation, Acoustic, Cover, Eng, Lh, 2-13
 Insulation, Acoustic, Cover, Eng, Rh, 2-13
 Insulation, Acoustic, Lh, 2-21
 Insulation, Acoustic, Rh, 2-21
 Isolator, Vib, Bshg, 1.1d 0.6l .4b 0.78h, 2-41
 Isolator, Vibration, 2-59
 Isolator, 2-35

J

Joint, Universal, 2-25

K

Key, Feather, 5-3
 Key, Shaft, Pump, Hyd, 4-7
 Key, Square, .25 x .25 x1.0 Lg, 2-19
 Key, Square, 2-25, 2-59
 Key, Switch, Set Of Two, 2-15
 Key, Woodruff, 2-23, 2-25, 2-27
 Key, 4-3, 4-5, 4-9, 4-10, 5-11, 5-15, 5-16
 Kit, Alarm, Audio, Backup, 3-6
 Kit, Battery Retainer, 2-47
 Kit, Box, Storage, 3-10
 Kit, Brake Pad, 4-14
 Kit, Bracket, Support, 2-65
 Kit, Ci, Front Cover, Blue, Hawk], 2-9
 Kit, Ci, Front Cover, Green, [Hawk], 2-9
 Kit, Ci, Front Cover, Purple, [Hawk], 2-9
 Kit, Ci, Front Cover, Red, [Hawk], 2-9
 Kit, Ci, Front Cover, White, [Hawk], 2-9
 Kit, Ci, Front Cover, Yellow, [Hawk], 2-9
 Kit, Extinguisher, Fire, 3-13
 Kit, Label, Hazard, 2-110
 Kit, Label, Operational, 2-110
 Kit, Maint, 400hr [Litter Hawk] Engine, 2-2
 Kit, Maint, 800hr [Litter Hawk], 2-2
 Kit, Mirror, 3-9
 Kit, Pivot, Side Brush, 2-49
 Kit, Repair, Damper Shaft, 2-69
 Kit, Rotating, Piston, Pump, Hyd, 4-7
 Kit, Seal, Hyd, Pump, 4-7
 Kit, Seal, Motor, Hyd, 4-10
 Kit, Seat Support, 2-5
 Kit, Shroud, Radiator, 2-45
 Kit, Sign, Slow Moving Vehicle, 3-7
 Kit, Solenoid, Fuel, 2-15
 Kit, Speaker, 3-5
 Kit, Spray, High Flow, 3-11
 Kit, Strobe, Replacement, 2-7

Kit, Tire, Foam Filled, 3-8
 Kit, Turn Signal, 3-3
 Knob, .312-18 1.62L, 2-61
 Knob, Steering, 2-19

L

Label, Litter Hawk, White, 2-110
 Label, Tennant Logo, 2-110
 Label, Working For A Cleaner, White, 2-110
 Lamp Assembly, Headlight, 12v, 2-11
 Lamp Assembly, Indicator, 12v, 2-15
 Lamp Assembly, Instrument, 12v, 2-15
 Lamp Assembly, 2-11, 2-53
 Lamp, 12vdc, . A 10watt Cp [Ba15s], 2-11, 2-53
 Lamp, 12vdc, . A 21watt Cp [#Ba15s], 2-9, 2-11, 2-53
 Lamp, Glowplug, 2-15
 Lamp, Strobe, Amber, 2-9
 Latch, 2-71, 3-10
 Lens, Red, 2-53
 Lever Assy, Fork, 5-18
 Lever Assy, Steering, Rear, 2-25
 Lever Wldt, Brake, 2-33
 Lever Wldt, Steering, 2-27
 Lever, Engine Stop, 5-19
 Lever, Fork, 5-18
 Lever, Governor, 5-19
 Lever, Speed Control, 5-19
 Lever, Steering, 2-23
 Lever, Tow, 2-77
 Light Assy Mark/Yel 12V, 3-3
 Light, Turn, Rwk [Euro], 2-9
 Liner, Bag, 2-63
 Link, Coupling, 2-51
 Link, Damper, 2-69
 Link, Lift, 2-63
 Linkage Assy, Brake, 2-31, 2-33

M

Magnet, Catch, 2-13
 Manifold, Exhaust, 5-27
 Manifold, Inlet, 5-27
 Manifold, Water, Filter Cleaner, [Hawk], 3-12
 Manual Pkg, Litter Hawk Diesel, 3-14
 Manual Pkg, Litter Hawk Jp, 3-14
 Manual, CD-ROM, Oprtn &Parts, All [NA], 3-14
 Manual, CD-ROM, Service All, 3-14
 Manual, Fiche, Litter Hawk Diesel, 3-14
 Manual, Oprtr, Litter Hawk Fr Na, 3-14
 Manual, Oprtr, Litter Hawktl Es Na, 3-14
 Manual, Service, Litter Hawk, 3-14
 Mirror, Lh, 3-9
 Mirror, Rh, 3-9
 Molding, Trim .08- .11 8.50, 2-5
 Molding, Trim, .08-.11 01.75, 2-59
 Molding, Trim, .08-.11 74,0l, 2-9

CROSS REFERENCE

Molding, Trim, Pvc, .08-.11 13.2l, 2-71
Motor, Hyd (See Breakdowns), 2-49
Motor, Hyd Gear Ex 0.40 L (See Breakdown), 2-59
Motor, Hyd Gear In 07.7 B (See Breakdowns), 2-31
Motor, Hyd Gear, 4-9
Motor, Hyd, Gear, [In] 07.7 B 2000, 4-10
Motor, Hydraulic, 4-11
Mount Wldt, Bearing, 2-25
Mount Wldt, Engine, Lh, 2-35
Mount Wldt, Engine, Rh, 2-35
Mount, Bearing, Rear, 2-27
Mount, Cleaner, Air, Die, 2-39
Mount, Cleaner, Air, 2-39
Mount, Nozzle, 2-57
Muffler, 2-41

N

Nozzle Assy, Spray, 2-2, 2-57
Nozzle, Spray, .033 Orifice, 3-11
Nozzle, Spray, 0.07 Gpm, 2-2, 2-57
Nut Hexlocnyln M8 x 1.25, 2-59
Nut Hxlocnyln .25-20 (Repl. by 382159), 2-19
Nut, Cap, 5-7, 5-17, 5-21
Nut, Flange, 5-3, 5-7, 5-23
Nut, Hex Jam M10-1.5 Ss, 2-69
Nut, Hex M06, 3-9
Nut, Hex, Flange, M06-1.0, 2-43
Nut, Hex, Flange, M08-1.25, 2-13, 2-25, 2-27, 2-45, 2-51, 3-6
Nut, Hex, Jam, .25-28, 3-6
Nut, Hex, Jam, .50-20, 2-23, 2-25
Nut, Hex, Jam, .69-16, Thin, 2-57
Nut, Hex, Lock .31-18, 18, 2-61
Nut, Hex, Lock, .25-20, Ni, 2-79, 2-83
Nut, Hex, Lock, .38-16, Ni, 2-43, 2-51
Nut, Hex, Lock, .50-13, Ni, 2-25, 2-49
Nut, Hex, Lock, .50-20, Ni, 2-23, 2-25
Nut, Hex, Lock, M04 X 0.7, Ni, 2-9
Nut, Hex, Lock, M05 X 0.8, Ni, 2-7, 2-9
Nut, Hex, Lock, M05-0.8, Ni, Ss, 2-21
Nut, Hex, Lock, M05-0.8, Ni, 2-15, 2-63, 2-67
Nut, Hex, Lock, M06-1.0, Ni, 2-15, 2-19, 2-23, 2-37, 2-47, 2-51, 2-61, 2-63, 2-65, 2-67, 2-79
Nut, Hex, Lock, M08 X 1.25, Ni, 2-7, 2-9
Nut, Hex, Lock, M08-1.0, Ni, 2-69
Nut, Hex, Lock, M08-1.25, Ni, 2-13, 2-21, 2-33, 2-35, 2-37, 2-39, 2-49, 2-53, 2-59, 2-61, 2-67, 2-69, 2-79
Nut, Hex, Lock, M08-1.25, 2-63
Nut, Hex, Lock, M12 X 1.75, Ni, 2-23
Nut, Hex, Lock, M12-1.75, Ni, 2-31, 2-35
Nut, Hex, Lock, M4 X 0.7, Ni, 2-5
Nut, Hex, Lock, M5 X 0.8, Ni, 2-9, 2-11, 2-53
Nut, Hex, M05-0.8, Ss, 2-55
Nut, Hex, Std M3-.50, 2-79
Nut, Hex, Std, .25-28, 2-79

Nut, Hex, Std, .31-24, 2-31, 2-33
Nut, Hex, Std, #10-32, G2, 2-23, 2-79
Nut, Hex, Std, M03-0.5, 2-15
Nut, Hex, Std, M08-1.25, 2-5, 2-19, 2-37, 2-41
Nut, Hexnyloc M8x1.25, 2-27
Nut, Hxlocnyln M6 x 1.0, 2-45
Nut, Hxlocnyln M6x1.0, 3-5
Nut, Long, 4-13
Nut, Nylock, M5-08, 3-6
Nut, Short, 4-13
Nut, Shoulder, 2-49
Nut, Speed, Retainer, .31-18, 2-61
Nut, U, M06-1.0, 2-45
Nut, U, M08-1.25, 2-11, 2-37, 2-67
Nut, Wheel, .50-20 X 60 Angle, 2-31
Nut, Wheel, 2-29
Nut-Hx Jam 1.25-12 Pltd, 2-27
Nut-Hxlocnyln M5x0.8 Reg Ss, 3-3
Nut, 4-10, 5-9, 5-19, 5-21, 5-22, 5-26, 5-27

O

O-ring, 5-3, 5-4, 5-5, 5-7, 5-9, 5-15, 5-19
Oil Shield, Breather, 5-7
Output Shaft, 4-11

P

Pad, 2-33
Paint, Can, Acrylic Blue, 2-2
Paint, Can, Acrylic Green, 2-2
Paint, Can, Acrylic Purple, 2-2
Paint, Can, Acrylic Red, 2-2
Paint, Can, Acrylic White, 2-2
Paint, Can, Acrylic Yellow, 2-2
Pan, Oil, 5-4
Panel Wldt, Floor Lh w/Tread, 2-53
Panel Wldt, Floor, Rh w/Label, 2-11
Panel Wldt, Floor, W/Tread, Lh, 2-53
Panel Wldt, Instrument, w/Label, 2-15
Panel, Floor, Mat, Lh, 2-53
Panel, Floor, Mat, Rh, 2-11
Pedal, Stop, 2-33
Pin, Clevis .31 Dia x 1.00 Lg, 2-31
Pin, Clevis, 2-33, 2-51, 2-65, 2-67
Pin, Cotter, .094 X 0.75, 2-7, 2-9
Pin, Cotter, 2-31, 2-33, 2-51
Pin, Dowel, Pump, Hyd, 4-7
Pin, Dowel, 4-3, 4-5
Pin, Hair Cotter, 2-65
Pin, Pipe, 5-3
Pin, Piston, 5-15
Pin, Pivot, 4-14
Pin, Retainer, 2-49
Pin, Spring, 5-18, 5-19, 5-26
Pin, Start Spring, 5-9
Pin, Straight, 5-3
Pin, 2-33, 2-49, 2-71
Pipe Assy, Overflow, 5-20
Pipe, Breather, 5-7
Pipe, Injection, 5-20
Pipe, Tail, 2-41
Pipe, Water Return, 5-24, 5-25
Pipe, Wldt, Exhaust, 2-41
Piston Ring Assy, +0.25mm, 5-15
Piston Ring Assy, Std, 5-15
Piston, +0.25mm, 5-15
Piston, Std, 5-15
Piston, 4-10
Pivot, Spherical, 1.25Dia, 2-49
Plate Assy, Steering, 2-19, 2-23, 2-25
Plate Mtg, Switch, 2-21
Plate Wldt, Front Cover, Tnv, 2-9
Plate Wldt, Mtg, Side Brush, 2-49
Plate Wldt, Mtg, 2-67
Plate Wldt, Speed, 2-19
Plate Wldt, Support w/Label, 2-59
Plate Wldt, Support, Inlet, 2-65
Plate Wldt, Support, 2-59
Plate, Backing, Handle, 2-63
Plate, Breather Elmnt, 5-7
Plate, Cam, 4-3, 4-5
Plate, Cover, Lh, 2-17
Plate, Cover, Rh W/Label, 2-17
Plate, Cover, 4-3, 4-5, 4-7
Plate, Damper, 2-69
Plate, Hinge, Upper, 2-13
Plate, Mtg, Bumper, Lh, 2-11
Plate, Mtg, Bumper, Rh, 2-11
Plate, Mtg, Light, 2-9, 2-15
Plate, Mtg, Motor, 2-35
Plate, Prop Rod, 2-9
Plate, Radiator, 2-13
Plate, Rear End, 5-23
Plate, Retainer, Switch, 2-19
Plate, Shroud, Radiator, 2-45
Plate, Spacer, Wheel, Front, 2-31
Plate, Speed Control, 5-19
Plate, Sppt, 2-49
Plate, Stop, Parking, 2-33
Plate, Support, Guide (Repl. by 382159), 2-19
Plate, Support, Hopper, 2-63
Plate, Support, 2-33, 2-51
Plate, Valve, Pump, Hyd, 4-7
Plate, Valve, 4-3, 4-5
Plate, 2-11, 2-13, 2-15, 2-71, 3-3, 3-5
Plug S/A, 4-10
Plug, #2, 4-13
Plug, #4, 4-13
Plug, Expandable, 2-63
Plug, Glow, 5-20
Plug, O-Ring, 4-10
Plug, Oil Filler, 5-7
Plug, Switch, 2-15
Plug, 2-15, 4-3, 4-5, 5-3, 5-4, 5-5, 5-9
Plunger, 2-37
Poppet, 4-10
Pulley, Fan Drive, 5-22, 5-25
Pump, Fuel, 2-43
Pump, Hyd Gear Ex1 0.58 R (See Breakdowns), 2-77
Pump, Hyd Gear, 4-8

Pump, Hyd Piston (Repl. by 373432)
(See Breakdowns), 2-77
Pump, Hyd Piston (See Breakdowns),
2-77
Pump, Hyd Piston, 4-3, 4-5
Pump, Hyp Piston (Repl. by 373400)
(See Breakdowns), 2-77
Pump, Injection, 5-17
Pump, Oil, 5-3
Pump, Water, 0.5 Gpm, 12V, 2-55
Pump, Water, 5-25
Push Rod, 5-11

R

Race, Bearing, Pump, Hyd, 4-7
Race, Bearing, 4-3, 4-5
Race, Thrust, 4-11
Radiator, 2-45
Reflector, Red, 3.34 Dia, 2-13
Relay, 12v, 2-15
Repair Info., 4-11
Repair Info, Motor, Hyd, 4-10
Repair Info, Pump, 4-3, 4-5
Repair Info, Pmp, 4-8, 4-9
Reservoir, Hyd, 2-83
Resistor, 003.00ohm, 25watt, 2-5
Retainer Wldt, 2-71
Retainer, Canister, 2-63
Retainer, Flap, 2-53
Retainer, Skirt, Lh, 2-65
Retainer, Skirt, Rh, 2-65
Retainer, Spring, 5-26
Rim, 2-29, 2-31
Ring, Retaining, Ext, 0.75D, 2-25
Ring, Retaining, External, 2-19
Ring, Retaining, Pump, Hyd, 4-7
Ring, Retaining, 2-23, 2-25, 2-53, 4-3,
4-5, 4-7, 4-9
Ring, Snap, 5-11
Rivet, Blind, .187d X 0.66 X .38d, Alm,
2-17
Rivet, Plstc, .250d X 0.898, 2-17
Rivet, Plstc, 2-13, 2-15, 2-21, 2-57
Rivet, Pop .196dx.76x38dhd, 2-13
Rivet, Pop, 2-13, 2-63, 3-10
Rivet, Snap, 2-71
Rocker Arm, 5-26
Rod Assy, Connecting, 5-15
Rod, Hood, Sppt, 2-7
Rod, Linkage, 2-31, 2-33
Rod, Rear Steering, 2-25
Rod, Steering, 2-23
Rod, Threaded, 2-79
Rod-End, 2-23, 2-25, 2-79
Rotating Kit, 4-3, 4-5

S

Scr Flt M8x1.25 20, 2-53
Scr Soc M12x1.75 80, 2-31
Scr, Chz, M4x0.7 60, 4.8 Pltd, 2-9

Scr-Soc .31-24x.75 Alloypltd, 2-79
Screen, Diffuser, 2-61
Screen, Vacuum Fan, 40% Open,
[HAWK], 2-59
Screw, Adjusting, 5-26
Screw, Air Bleeder, 5-20
Screw, Cap, 4-3, 4-5, 4-7, 4-8, 4-9, 4-10,
4-11
Screw, Flat Hd M05-0.8x16, 3-6
Screw, Flat, M06-1.0 X 16,10.9, 2-63
Screw, Flat, M08-1.25x 20,10.9, 2-11
Screw, Flat, M08-1.25x 25,10.9, 2-21
Screw, Hex .25 X 0.75, Tcut, 2-57
Screw, Hex .50-13x5.5 Full Thread, 2-49
Screw, Hex .62-18 x .75, special, 2-79
Screw, Hex #12-16 X 0.75, [F/Plastic],
3-12
Screw, Hex 6x1.0 16 Pltd, 3-13
Screw, Hex M6 x 1.0 20, 2-59
Screw, Hex M6 x 1.0, 2-23, 2-65
Screw, Hex M8x1.25 30, 10.9, 2-79
Screw, Hex, .25 X0.75, Tcut, 2-11
Screw, Hex, .31-18 X 0.62, G5, 2-45
Screw, Hex, .38-16 X 0.75, G5, 2-49
Screw, Hex, .38-16 X 1.00, G5, 2-35
Screw, Hex, .38-16 X 1.25, NI, 2-77
Screw, Hex, #10x0.62, Fmg Ab, 2-71
Screw, Hex, #10x0.62, Fmg, 2-11
Screw, Hex, M05-0.8 X 16, 8.8, 2-67
Screw, Hex, M05-0.8 X 16, Ss, 2-55
Screw, Hex, M06-1.0 X 12, 8.8, 2-45
Screw, Hex, M06-1.0 X 16, 8.8, 2-37,
2-53, 2-61, 2-71
Screw, Hex, M06-1.0 X 20, 8.8, 2-43,
2-45, 2-61, 2-63
Screw, Hex, M06-1.0 X 20, Ss, 2-59
Screw, Hex, M06-1.0 X 35, 8.8, 2-79
Screw, Hex, M06x1.0 70, 2-61
Screw, Hex, M08 X 1.25 X 20, 8.8, 2-17
Screw, Hex, M08 X 1.25 X 25, 8.8, 2-9,
2-59
Screw, Hex, M08-1.25 X 12, 8.8, 2-23
Screw, Hex, M08-1.25 X 16, 8.8, 2-25,
2-27
Screw, Hex, M08-1.25 X 20, 8.8, 2-5,
2-11, 2-13, 2-19, 2-21, 2-35, 2-37,
2-45, 2-49, 2-53, 2-61, 2-67, 2-69,
2-71, 2-79, 2-81, 2-83
Screw, Hex, M08-1.25 X 25, 8.8, 2-13,
2-19, 2-25, 2-27
Screw, Hex, M08-1.25 X 30, 8.8, 2-5,
2-13, 2-19, 2-33, 2-37, 2-39, 2-41,
2-67, 2-79
Screw, Hex, M08-1.25 X 35, 8.8, 2-13,
2-51
Screw, Hex, M08-1.25 X 45, 8.8, 2-33
Screw, Hex, M08-1.25 X 60,8.8, 2-21,
2-51
Screw, Hex, M08-1.25 X 70, Ss, 2-59
Screw, Hex, M08-1.25x20, 8.8, 2-33, 3-6
Screw, Hex, M08-1.25x25, 8.8, 2-5, 2-37
Screw, Hex, M08x1.25 X 50, 2-69
Screw, Hex, M08X1.25X25, 8.8, 2-69

Screw, Hex, M10-1.5 X 20, 8.8, 2-27
Screw, Hex, M12-1.75 X 30, 8.8, 2-27
Screw, Hex, M12-1.75 X 60, 8.8, 2-35
Screw, Hex, M12-1.75 X 70, 8.8, 2-35
Screw, Hex, M5 X 0.8 X 10, Fmg, 2-33
Screw, Hex, M5 X 0.8 X 16, 8.8, 2-9
Screw, Hex, M6 X 1.0 X 50, 8.8, 2-33
Screw, Hex, M8 x 1.25 100, 2-59
Screw, Hex, M8 x 1.25 30, 2-59
Screw, Hex, M8 X 1.25 X 35, 8.8, 2-41
Screw, Hex, M8X1.25X25, 8.8, 2-35
Screw, Hex, 2-69
Screw, Hxfmg M6x10 10 Pltd, 2-63
Screw, Pan #12 x .50, 2-63
Screw, Pan M06, 3-9
Screw, Pan M6, 3-5
Screw, Pan, #06-32 X 0.38, G1, 2-71
Screw, Pan, #08-32 X 0.38, G1, 2-37
Screw, Pan, #12- X 0.50,, 2-13, 2-57
Screw, Pan, #12-16 X 0.50, F/Plstc, 2-11
Screw, Pan, #12-16, 0.50,, 2-11
Screw, Pan, M03-0.5 X 12, 4.8, 2-15
Screw, Pan, M05 X 0.8 X 16, 4.8, 2-9
Screw, Pan, M05 X 0.8 X 25, 4.8, 2-9
Screw, Pan, M05-0.8 X 12, Ss, 2-19,
2-21
Screw, Pan, M05-0.8 X 16, 4.8, 2-15,
2-63
Screw, Pan, M06-1.0 X 16, 4.8, 2-13,
2-63
Screw, Pan, M06-1.0 X 20, 4.8, 2-65
Screw, Pan, M06-1.0 X 35, 4.8, 2-15
Screw, Pan, M06-1.0x25, 4.8, 2-65
Screw, Pan, M08 X 1.25 X 20, 4.8, 2-7,
2-9
Screw, Pan, M4 X 0.7 X 10, Ss, 2-5
Screw, Pan, M5 X 0.8 X 16, 4.8, 2-11,
2-33, 2-53
Screw, Pan, 3-3
Screw, Set, .25-20 X 0.31, NI, 2-27
Screw, Set, .31-18 X 0.50, Soc, 2-25
Screw, Set, #10-24 X 0.25, NI, 2-77
Screw, Set, M08-1.25x 12, 45h, 2-19,
2-23, 2-27
Screw, Set, 5-11
Screw, Soc, M08-1.25 X 35, AI, 2-35
Screw, Soc, M08-1.25 X 70, AI, 2-33
Screw, Soc, M10-1.5 X 25,12.9, 2-35
Screw, With Washer, 5-20
Screw-Hex M10x1.25 20 8.8 Pltd, 2-35
Screw, 4-11, 5-7
Seal Kit, 4-11
Seal Assy, Mechanical, 5-25
Seal Kit, Cartridge, 4-13
Seal Kit, Coil, 4-13
Seal Kit, Pump, 4-8, 4-9
Seal Kit, 4-3, 4-5
Seal, Bulb, Str, .58D.06-.09Grip 11.2L,
2-13
Seal, Bulb, Str, 0.50d .13grip 96.0l,
2-7, 2-9
Seal, Bulb, 2-59
Seal, Cover, 2-17

CROSS REFERENCE

- Seal, Foam Rbr, Lh, 2-61
Seal, Foam Rbr, Rh, 2-61
Seal, Grease, 2-27
Seal, Heat, 5-20
Seal, O-ring, 4-13
Seal, Oil, 5-9, 5-13
Seal, Oring, 2-77
Seal, Rbr, Close, .13T, Light, 2-15
Seal, Valve Stem, 5-26
Seal, 2-35, 2-59
Seat, Valve, 5-9
Seat, 2-13
Send-Unit, Fuel, 2-43
Shaft Wldt, Cross, 2-51
Shaft, Damper, 2-69
Shaft, Drive, 4-3, 4-5, 4-7
Shaft, Fork Lever, 5-18
Shaft, Idle Gear, 5-11
Shaft, Lever, 5-19
Shaft, Output, 4-10
Shaft, Rocker Arm, 5-26
Shield, Lh, 2-17
Shield, Rh, 2-17
Shim Kit, Crankpin, -0.20mm, 5-15
Shim Kit, Crankpin, -0.40mm, 5-15
Shim Kit, Crankpin, Std, 5-15
Shim Kit, Crankshaft, -0.20mm, 5-15
Shim Kit, Crankshaft, -0.40mm, 5-15
Shim Kit, Crankshaft, Std, 5-15
Shim Kit, Pump, 4-3
Shim Kit, Side, +0.20mm, 5-15
Shim Kit, Side, +0.40mm, 5-15
Shim Kit, Side, Std, 5-15
Shim Kit, 4-5, 4-7
Shim, Injection Pump 0.2 mm, 5-17
Shim, Injection Pump 0.25 mm, 5-17
Shim, Injection Pump 0.3 mm, 5-17
Shock Absorber, 2-79
Shroud, Inlet, Vacuum, Oval, 2-65
Shroud, Radiator, Lh, 2-45
Shroud, Radiator, Rh, 2-45
Skirt, 2-2, 2-65
Sleeve, Crankshaft, 5-15
Sleeve, Dashpot, 4-10
Sleeve, Governor, 5-16
Sleeve, P/m, 0.496D 0.31L 430Ss, 2-69
Sleeve, Spacer, 2-59
Sleeve, 2-13, 2-17, 2-19, 2-33, 2-45, 2-51, 2-59, 2-63, 2-65, 2-67, 2-69
Sleeving, Nylon, 8", 2-49
Slinger, Oil, 5-15
Spacer Plate, 4-11
Spacer, Lever, Throttle, 2-37
Spacer, Sleeve, 2-69
Spacer, 2-21, 2-27, 2-49, 2-79, 3-6
Speaker, 3-5
Spring, Cmpr, 1.94OD .25Wire 5.0L, 2-49
Spring, Coil, 2-9
Spring, Compression, .42Od 1.5L, 2-71
Spring, Compression, 2-19, 2-71
Spring, Detent, 2-67
Spring, Extn, 0.38D .04Wire 4.0L, 2-23
Spring, Governor, 5-18
Spring, Lever Ret, 4-14
Spring, Propel, Centering, 2-79
Spring, Return, 5-19
Spring, Rocker Arm, 5-26
Spring, Start, 5-18
Spring, Tension, 2-31, 2-51, 2-69
Spring, Torsion, 2-33
Spring, Valve, 5-26
Spring, 4-3, 4-5, 4-10, 5-9
Starter, 5-23
Stopper, Camshaft, 5-11
Stopper, Fuel Camshaft, 5-16
Strainer, Fluid, 2-57
Strainer, Hyd, 10gpm 100mesh Psi, 2-2
Strainer, Sprayer, 2-55
Strainer, 2-83
Strap Wldt, Tank, Fuel, 2-43
Strap Wldt, Tank, Hyd, 2-83
Strap, Pipe, 5-24
Strap, 2-53, 2-71
Stud, 5-9, 5-17, 5-26, 5-27
Support, Steering, 2-19
Support Wldt, Seat, 2-5
Support Wldt, Wheels, Rear, 2-27
Support, Cable, 2-19, 2-23, 2-67
Support, Pad, 4-14
Switch Assembly, 3-5
Switch Assy, Roler No, 3-6
Switch Assy, Roller, No, 2-9, 2-21
Switch, Level, Water, 2-53
Switch, Oil, 5-3
Switch, Rocker, 36vdc 16a Dpdt On/Of/On, 2-19
Switch, Rocker, 125Vdc 16A Dpdt Mo/Of/Mo, 3-5
Switch, Rocker, 2-15
Switch, Snap Actn, 12vdc 15a Nc Rlr, 2-33
Switch, Temperature, 2-35
Switch, Thermostat, 2-69
Switch, Toggle, 2-15, 3-3
Switch, 2-15, 2-21
Swivel, 2-37
- T**
- Tail light, 2-2
Taillight, 12vdc, 3.3 X 3.7 Rh, 2-11
Taillight, 12vdc, 3.3 X 3.7 Lh, 2-53
Tank, Fuel, 4 Gal, 2-43
Tank, Recovery, Coolant, 2-45
Tank, Water, Lower, 2-53
Tank, Water, Outer, 2-53
Tappet, 5-11
Terminal, Snaplg .16M Ins 14 Ga, 3-5
Thermostat, 5-24
Tie, Cable, 7.50 L, 1.75d Max, 2-39, 2-53
Tie, Cable, 7.50L, 1.75d Max, 2-47
Tie, Cable, 7.5L, 1.75D Max, 2-15
Tie, Cable, Nyl, 11.4L .19W 3.0 Max D, 2-15
Tie, Cable, 2-57
- Timer, (Soft Start Delay), 2-15
Timer, 4 Sec, 2-15
Timer, Glow Plug, 2-15
Tire and Rim Assembly, Black, 2-29
Tire, 4.10/3.5-6, Black, 2-29
Tire, 2-31
Tool Assy, Filter Cleaning, [Litterhawk], 3-12
Tread, 2-53
Tube Assy, Vacuum, Hose-End, 2-71
Tube, Exhaust, 1.6d 1.6od [Litterhawk], 2-41
Tube, Handle, Vacuum, 2-71
Tube, Inner, 2-29
Tube, Pickup, Oil, 5-4
Tube, Vacuum, Oval, 2-65
Tube, 2-71
- U**
- U-Nut, M5-02, 3-6
- V**
- V-Belt, 5-22
Valve Assy, Relief, 4-3, 4-5
Valve Stem, 4-13
Valve, Bypass, 4-3, 4-5
Valve, Exhaust, 5-26
Valve, Flow Control, Hose Adapter, 3-12
Valve, Hyd Solenoid, 4-13
Valve, Hyd, Solenoid (See Breakdown), 2-81
Valve, Inlet, 5-26
Valve, Relief, 2000 Psi, 4-7
Video, Operation Litter Hawk, 3-14
- W**
- Washer Fit .25 (Repl. by 382159), 2-19
Washer Fit .25, 2-23
Washer Fit 10 Ss, 3-7
Washer, .594ID x 1.00D x .06th, 2-69
Washer, 0.20b 0.50d .06, Alm, 2-17
Washer, 0.38b 1.22d .06, Ss, 2-9
Washer, 0.38B 1.25D .12, Neo, 2-61
Washer, Belleville .31, 2-79
Washer, Belleville, .31, 2-13
Washer, Flat .25, 2-59
Washer, Flat .25 Hard, 3-5
Washer, Flat .25, 3-5
Washer, Flat .31 Hard, 2-59
Washer, Flat # 10, 2-79
Washer, Flat #10, 3-6
Washer, Flat 10, 2-57
Washer, Flat, .25 Fender, 2-63, 2-65
Washer, Flat, .25 Hard, 2-21, 2-33, 2-45, 2-51, 2-61, 2-65, 2-71, 2-79, 2-83
Washer, Flat, .25 Sae, 2-15, 2-37, 2-43, 2-47, 2-63, 2-71
Washer, Flat, .25, 2-65, 2-69

Washer, Flat, .31 Hard, 2-5, 2-11, 2-13,
 2-21, 2-23, 2-25, 2-27, 2-33, 2-37,
 2-45, 2-49, 2-51, 2-53, 2-59, 2-61,
 2-63, 2-67, 2-69, 2-71, 2-79, 2-83
 Washer, Flat, .31 Sae, 2-35, 2-45, 2-79,
 2-81, 3-6
 Washer, Flat, .31 Ss, 2-19
 Washer, Flat, .38 Hard, 2-35, 2-39, 2-49,
 2-51, 2-59
 Washer, Flat, .38 Sae, 2-43, 2-77
 Washer, Flat, .50 Hard, 2-27, 2-49, 2-51
 Washer, Flat, .50 Sae, 2-35
 Washer, Flat, .75 Sae, 2-59
 Washer, Flat, .88 Hard, 2-79
 Washer, Flat, #10 Ss, 2-19, 2-55
 Washer, Flat, #10, 2-9, 2-11, 2-15, 2-21,
 2-33, 2-53
 Washer, Flat, 0.25 Std, 2-61
 Washer, Flat, 0.31 Fender, 2-5, 2-41,
 2-61
 Washer, Flat, 0.31 Std, 2-35
 Washer, Flat, 0.75 Sae, 2-41
 Washer, Flt, .25 Std, 2-17
 Washer, Flt, .31 Ss, 2-7, 2-9
 Washer, Flt, .31 Std, 2-17
 Washer, Flt, #06, 2-9
 Washer, Flt, #10, 2-7, 2-9
 Washer, Flt, Pump, Hyd, 4-7
 Washer, Lock, Int, #04, 2-15
 Washer, Plain, 5-7, 5-9, 5-22, 5-26
 Washer, Polye, 2-19
 Washer, Pump, Hyd, 4-7
 Washer, Spacer, 2-79
 Washer, Spring, 5-9, 5-17, 5-18, 5-22,
 5-23, 5-26, 5-27
 Washer, thrust, 1.25B 2.50D 0.13W, Stl,
 2-49
 Washer, 2-27, 2-35, 2-59, 2-79, 4-3, 4-5,
 4-9, 5-26
 Wheel Assy, 4.80 X 8, 6 Ply, [Soft Foam],
 3-8
 Wheel Assy, Foam-filled, 6 x 3.25, 3-8
 Wheel Assy, 2-31

Y

Yoke Assy, 2-23, 2-79

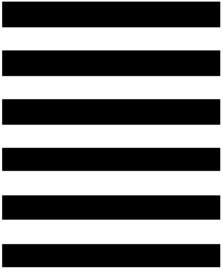
CROSS REFERENCE



TENNANT COMPANY
 Technical Publications #15
 701 North Lilac Drive
 P.O. Box 1452
 Minneapolis, MN 55440-9947

POSTAGE WILL BE PAID BY ADDRESSEE

BUSINESS REPLY MAIL
 FIRST CLASS MAIL PERMIT NO. 94 MINNEAPOLIS, MN



NO POSTAGE
 NECESSARY
 IF MAILED
 IN THE
 UNITED STATES



Fold along dotted lines

Tape here

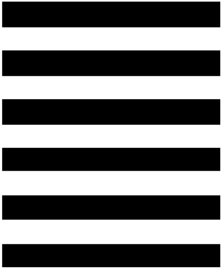




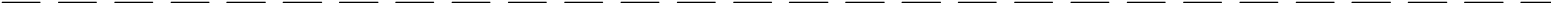
TENNANT COMPANY
 Technical Publications #15
 701 North Lilac Drive
 P.O. Box 1452
 Minneapolis, MN 55440-9947

POSTAGE WILL BE PAID BY ADDRESSEE

BUSINESS REPLY MAIL
 FIRST CLASS MAIL PERMIT NO. 94 MINNEAPOLIS, MN



NO POSTAGE
 NECESSARY
 IF MAILED
 IN THE
 UNITED STATES



Fold along dotted lines

Tape here

