



**Parts Manual**

**H26 WALK BEHIND SCRUBBER**

## Introduction

### Preface

Please be advised explicitly that we cannot accept any legal issues out of the contents of this manual. If repair work has to be performed make sure that only genuine spare parts are used; only genuine spare parts may guarantee a dependable machine. We reserve the right for technical improvement..

Valid as of: 05/2009

**Minuteman International Inc.**  
**14N845 US ROUTE 20**  
**PINGREE GROVE, IL. 60140-8893**  
**U.S.A**

### Proper use

The machine is a vacuum scrubbing machine for wet cleaning of hard-surfaced floors. Using the machine beyond this scope of application will be deemed improper use; The manufacturer cannot be held liable for consequential damages; the user alone bears the risk. The term of proper use also includes operation, maintenance and repair work to be performed in compliance with the manufacturer's specifications. The E 24 may only be used by persons that are familiar with the machine and aware of possible hazards involved. If modifications to the machine are made in absence of the manufacturer's prior consent, the latter cannot be held liable for damage resulting from such unauthorized modification.

### Notes on warranty

The terms of the sales contract apply. Damages are not subject to warranty if they are due to non-compliance with the maintenance and service provisions. The maintenance work has to be performed by an authorized Minuteman service center.

The following is excluded from warranty: fuses, natural wear, damages caused by overload, inexpert handling and unauthorized modification of the machine. Moreover, any claim for warranty cannot be accepted if damages of the machine are caused by fitting parts or accessories without Minuteman's prior and explicit consent or by non-compliance with the maintenance instructions.

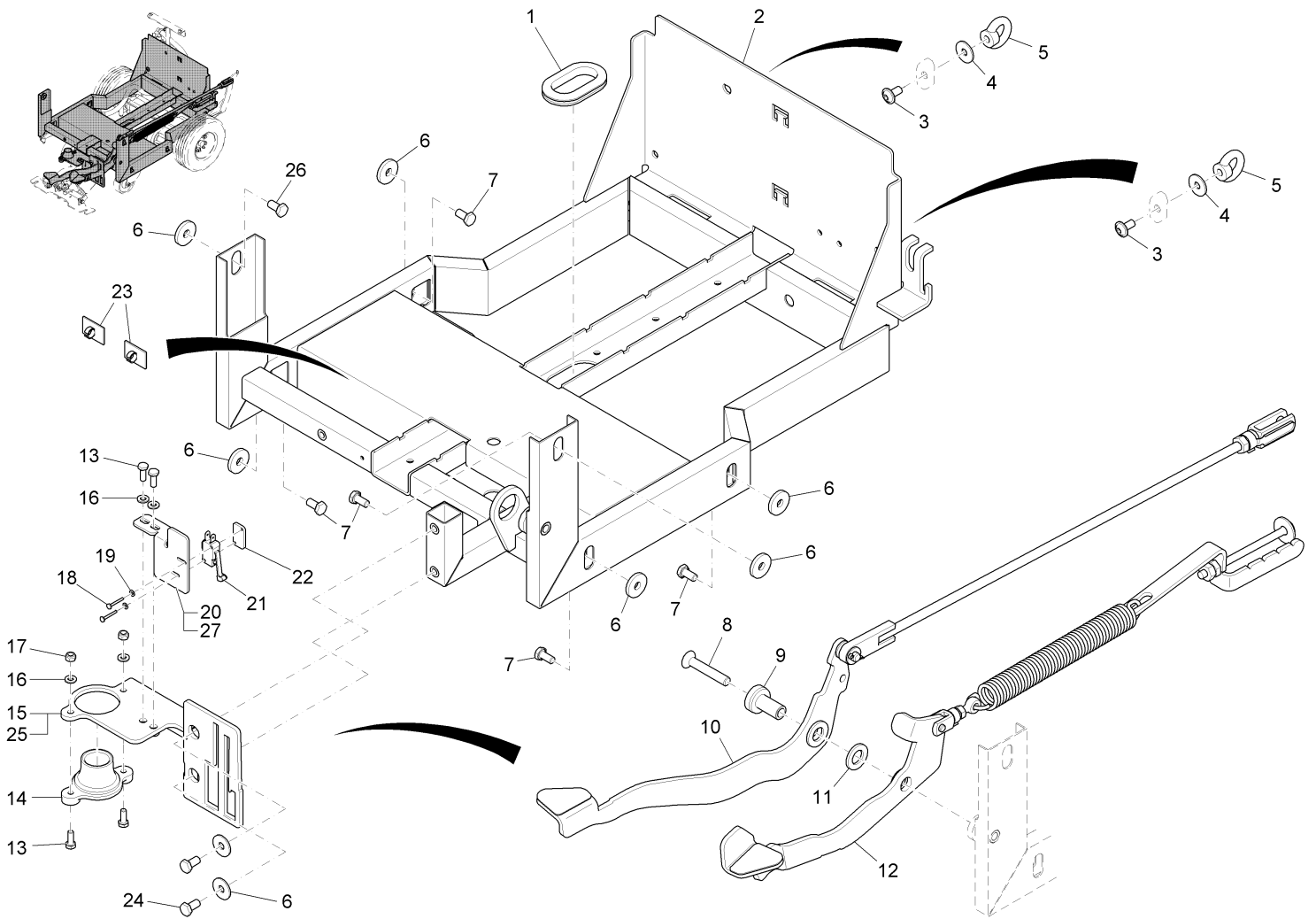
**For Safety When Servicing or Maintaining Machine**

- Stop on level surface.
- Disconnect the power to the machine.
- Avoid moving parts. Do not wear loose jackets, shirts, or sleeves when working on machine.
- When working around machine use protective clothing and safety glasses. Remove metal jewelry.
- Do not clean machine with a pressure washer.
- Authorized personnel must perform repairs and maintenance. Use Minuteman supplied replacement parts.

## Table of Contents

CHASSIS, CPL. PART 1 .....	1
LIFTING PEDAL .....	3
BRUSH PRESSURE ADJUSTMENT .....	4
CHASSIS, CPL. PART 2 .....	5
MOTOR AMER MRP-9-D .....	7
CHASSIS, CPL. PART 3 .....	8
WATER SUPPLY 1 .....	10
WATER SUPPLY 2 .....	11
SQUEEGEE MECHANISM PART 1 .....	12
SQUEEGEE MECHANISM PART 2 .....	13
HOPPER PART 1 .....	14
HOPPER PART 2 .....	16
SQUEEGEE OPERATION .....	17
SUCTION .....	18
SQUEEGEE LOCK .....	20
SQUEEGEE 95cm PART 1 .....	21
SQUEEGEE 95cm PART 2 .....	22
OPERATION HANDLE .....	23
CONSOLE .....	24
ELECTRIC PART 1 .....	25
RETAINER .....	26
ELECTRIC PART 2 .....	28
BATTERY TRAY .....	30
BATTERY CHARGER 30A .....	31
TOOL HOLDER .....	32
LABELING .....	33
WARRANTY .....	34

# CHASSIS PART 1 EXPLODED ASSEMBLY VIEW

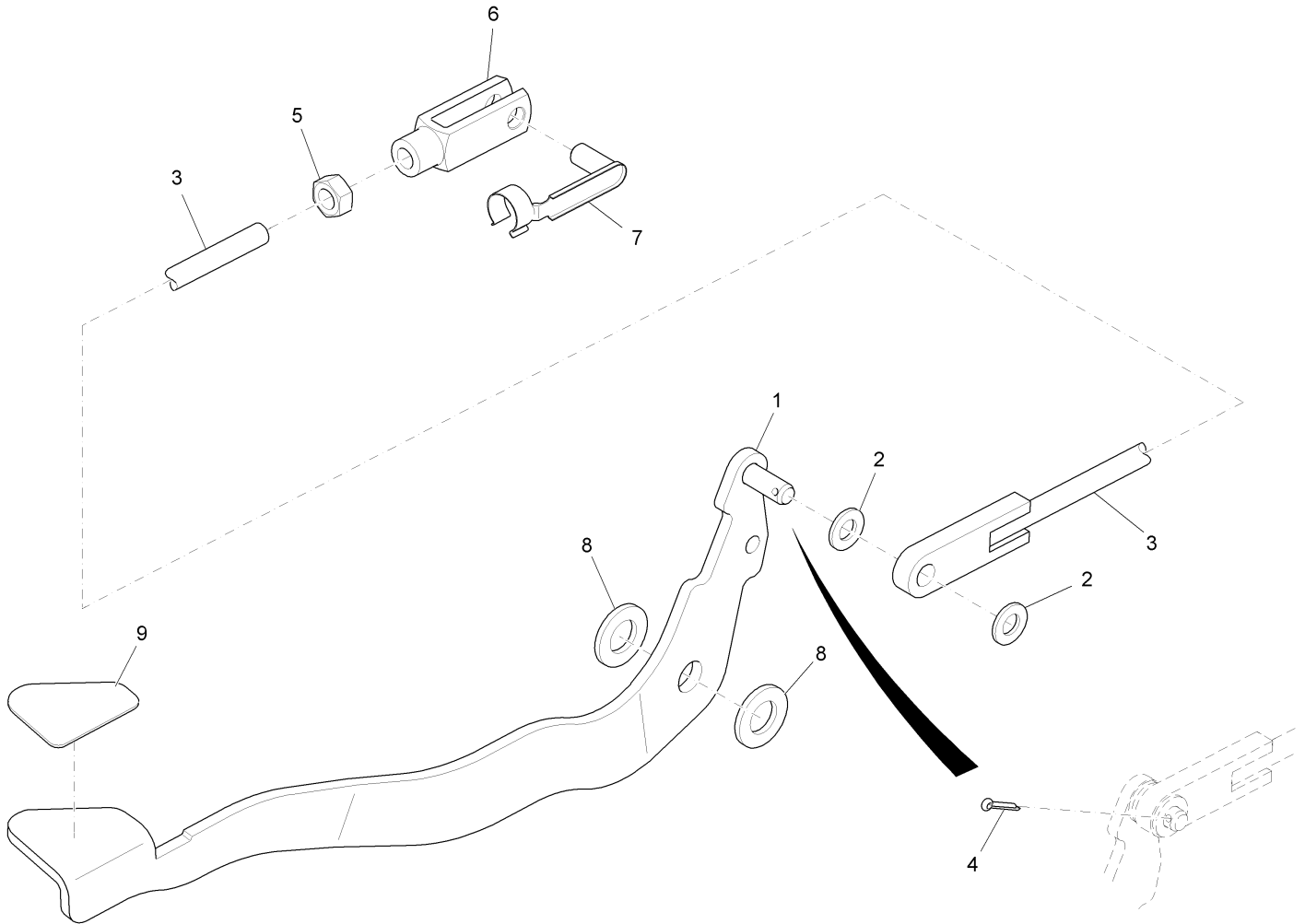


**CHASSIS PART 1  
BILL OF MATERIAL**

**CHASSIS PART 1**

<b>Item</b>	<b>Part Number</b>	<b>Description</b>	<b>Qty.</b>	<b>Notes</b>
1	01078440	Grommet	1	
2	03007640	Chassis	1	
3	01074320	Lens flange screw	2	
4	00042900	Washer	4	
5	01078450	Nut	2	
6	00047990	Washer	10	
7	00053080	Hexagon screw	8	
8	01078140	Countersunk screw	1	
9	01077800	Bushing	1	
10	97093181	Lifting pedal	1	
11	00053790	Washer	1	
12	97093272	Brush pressure adjustment	1	
13	00053010	Hexagon bolt	6	
14	01077780	Bushing	1	
15	01078460	Sheet metal	1	
16	00053730	Washer	4	
17	00051520	Hexagon nut	2	
18	00022180	Hexagon bolt	2	
19	00553740	Washer	2	
20	01078470	Retainer	1	
21	00975510	Micro switch	1	
22	01074840	Thread base plate	1	
23	01143190	Cable clip	2	
24	00053100	Hexagon screw	2	
25	01079680	Sheet metal	1	
26	00553690	Hexagon bolt	1	
27	01170010	Retainer	1	

## LIFTING PEDAL EXPLODED ASSEMBLY VIEW

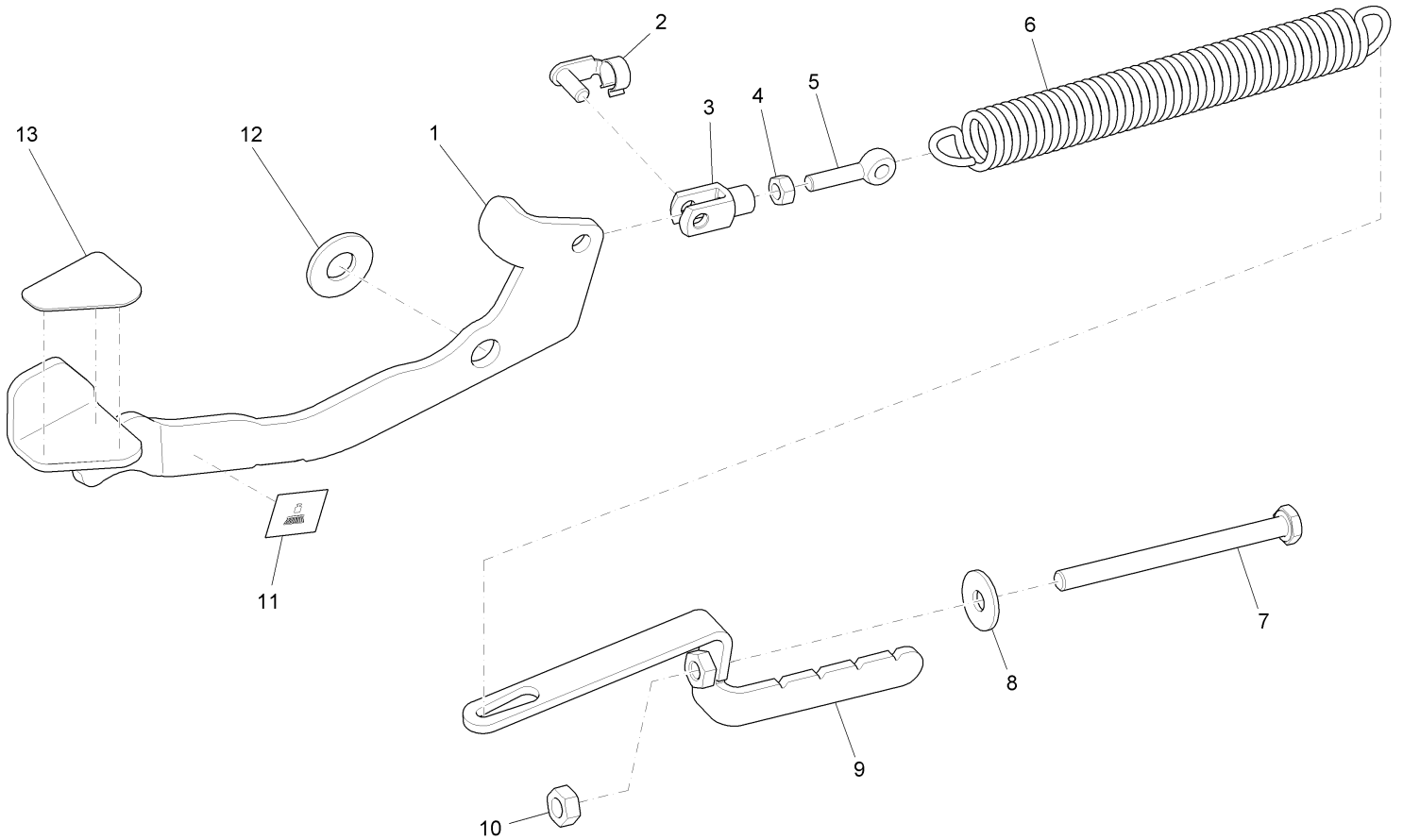


### BILL OF MATERIAL

#### 97093181 - LIFTING PEDAL

Item	Part Numbers	Description	Qty.	Notes
1	01170020	Lifting pedal	1	
2	00053760	Washer	2	
3	01077930	Rod	1	
4	00551410	Cotter pin	1	
5	00053360	Hexagon nut	1	
6	00925430	Fork yoke	1	
7	00925420	Bolt	1	
8	01078240	Washer	2	
9	01078560	Decal	1	

# BRUSH PRESSURE ADJUSTMENT EXPLODED ASSEMBLY VIEW



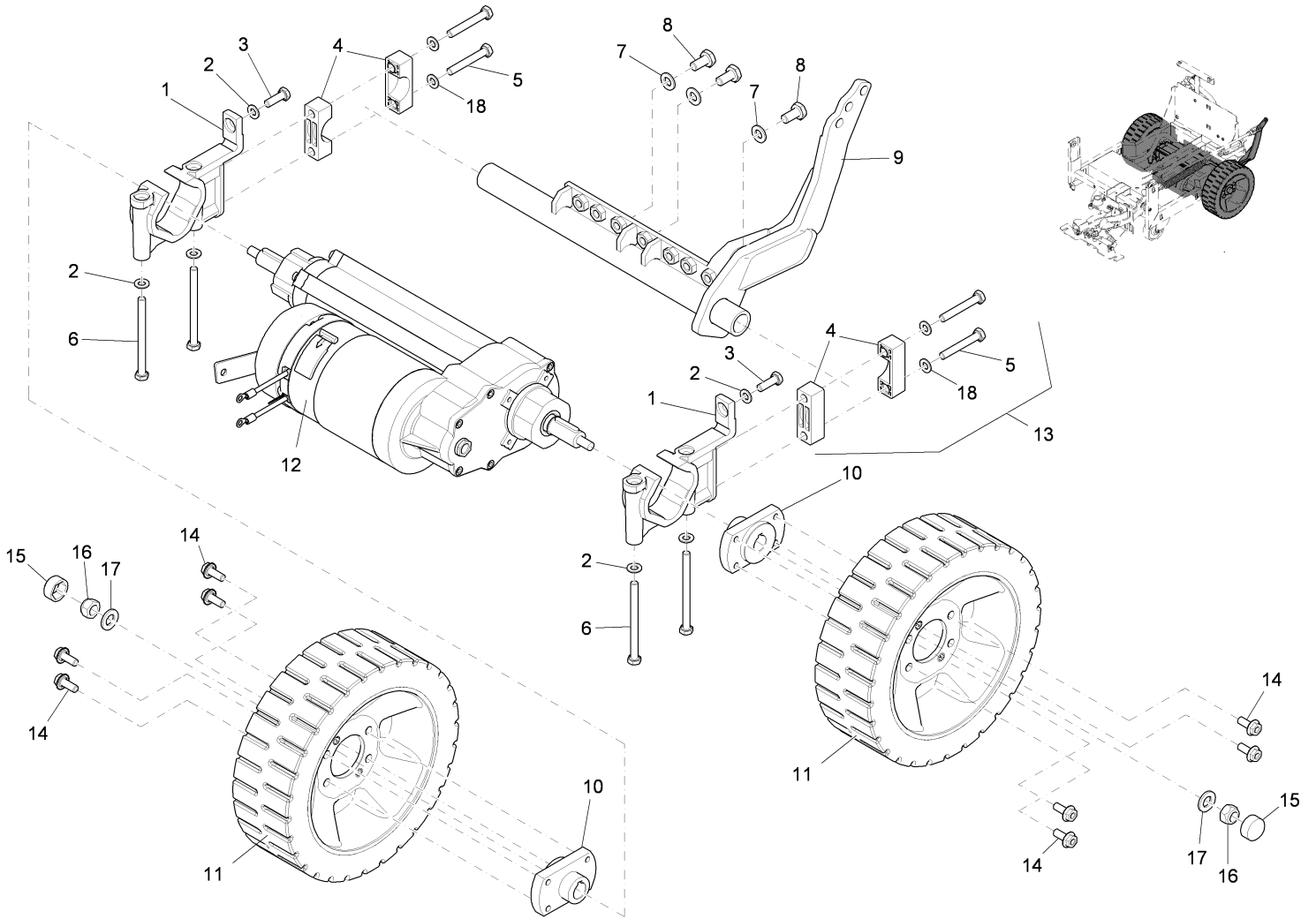
## BILL OF MATERIAL

### 97093272 - BRUSH PRESSURE ADJUSTMENT

Item	Part Number	Description	Qty.	Notes
1	01078550	Pedal	1	
2	00151400	Bolt	1	
3	00151440	Fork yoke	1	
4	00053350	Hexagon nut	1	
5	00735690	Eye bolt	1	
6	01077770	Tension spring	1	
7	01031550	Hexagon screw	1	
8	00046520	Washer	1	
9	01078500	Sheet metal	1	
10	00053360	Hexagon nut	1	
11	01074580	Decal Brush Pressure	1	
12	01078240	Washer	1	
13	01078560	Decal	1	



# CHASSIS PART 2 EXPLODED ASSEMBLY VIEW

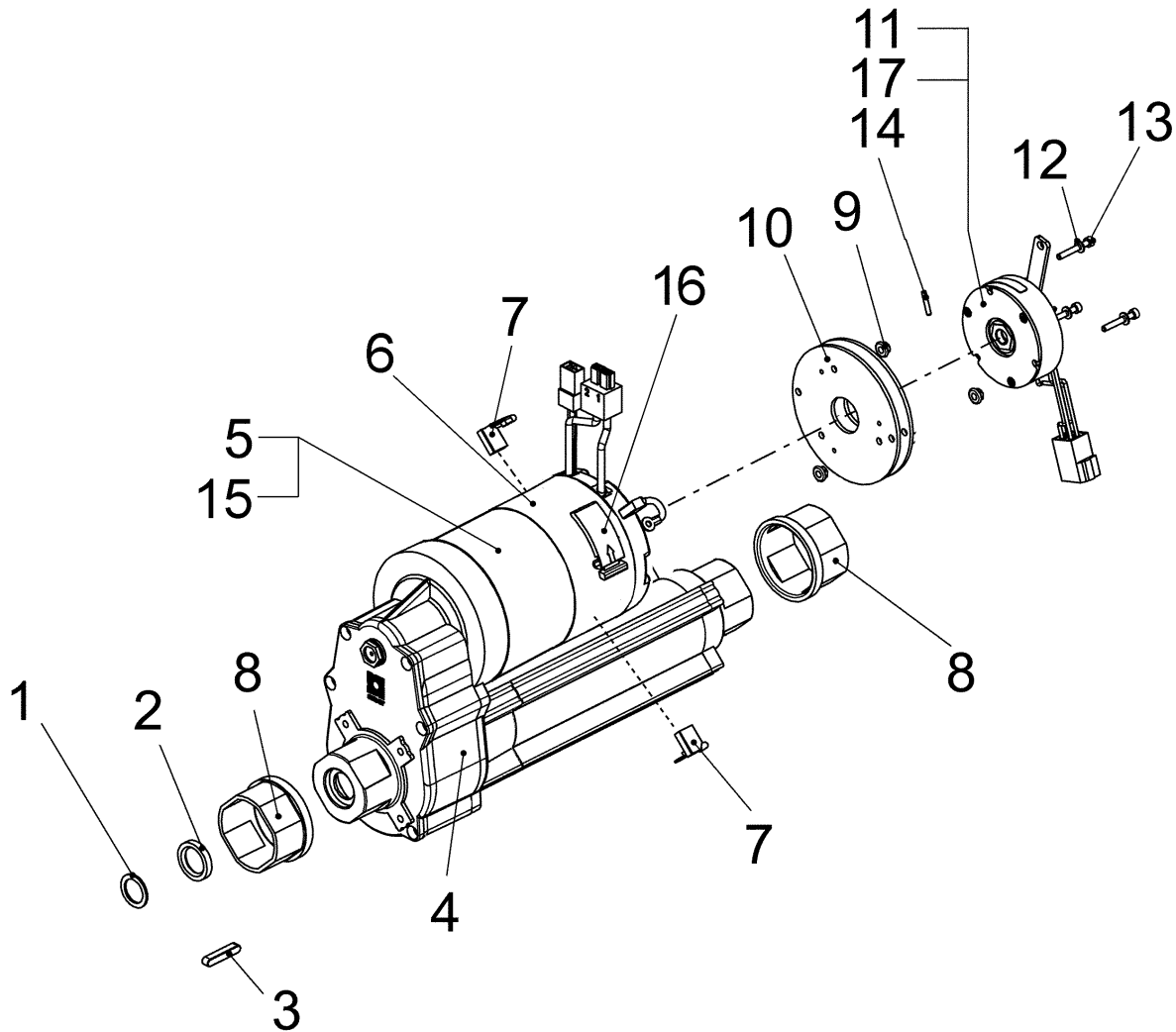


## CHASSIS PART 2 BILL OF MATERIAL

### CHASSIS PART 2

Item	Part Numbers	Description	Qty.	Notes
1	01078480	Bearing Amer	2	
2	00053750	Washer	10	
3	00053100	Hexagon screw	1	
4	01078020	Block	4	
5	00053260	Hexagon Bolt	4	
6	00053140	Hexagon Bolt	4	
7	00053760	Washer	3	
8	00053310	Hexagon screw	3	
9	01078490	Lever	1	
10	01078010	Hub	2	
11	01071180	Wheel	2	
12	01077160	Motor Amer MRP-9-D	1	
13	00008980	Block	1	
14	01171260	Hexagon screw	8	Tightening torque: 38 Nm
15	01031540	protection cap	2	
16	00051490	Hexagon nut	2	
17	00053770	Washer	2	
18	00042900	Washer	4	

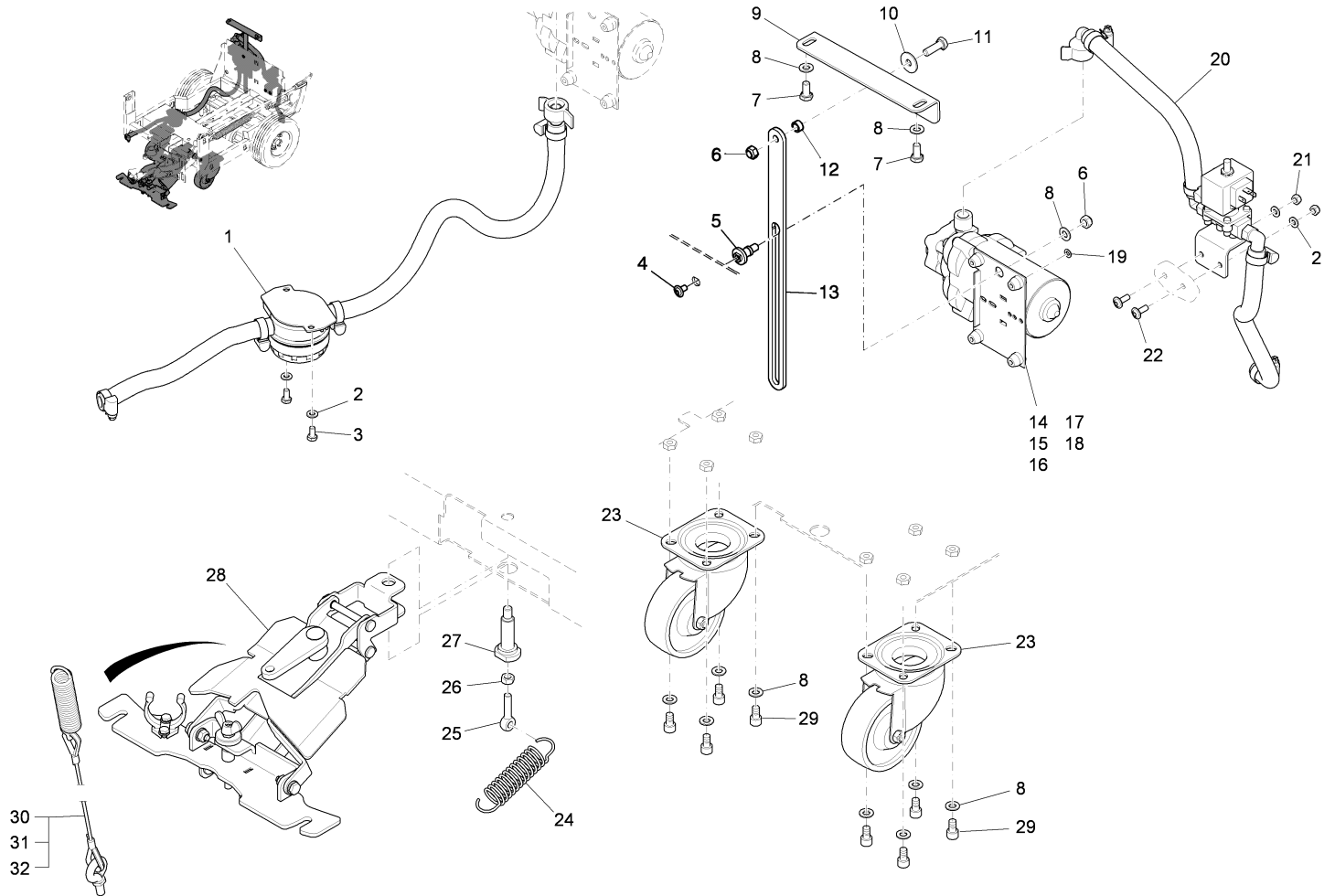
# MOTOR AMER MRP-9-D EXPLODED ASSEMBLY VIEW



## BILL OF MATERIAL

01077160 - MOTOR AMER MRP-9-D				
Item	Part Numbers	Description	Qty.	Notes
1	01077430	Washer	2	
2	01077420	Gasket	3	
3	01077410	Fitting key	2	
4	01077390	Gear box with shaft	1	
5	01077340	Motor	1	
6	01077360	Covering	1	
7	01077350	Carbon brush	4	
8	01077400	Bushing	2	
9	01077380	Nut	4	
10	REF ONLY	Brake Flange	2	Not Stocked
11	01171710	Parking brake	1	
12	01171720	Washer	3	
13	01171730	Screw	3	
14	01171700	Spring pin	1	
15	01077370	Stud screw	2	
16	01173630	Mounting clip	1	
17	01173050	Micro switch	1	

**CHASSIS PART 3  
 EXPLODED ASSEMBLY VIEW**



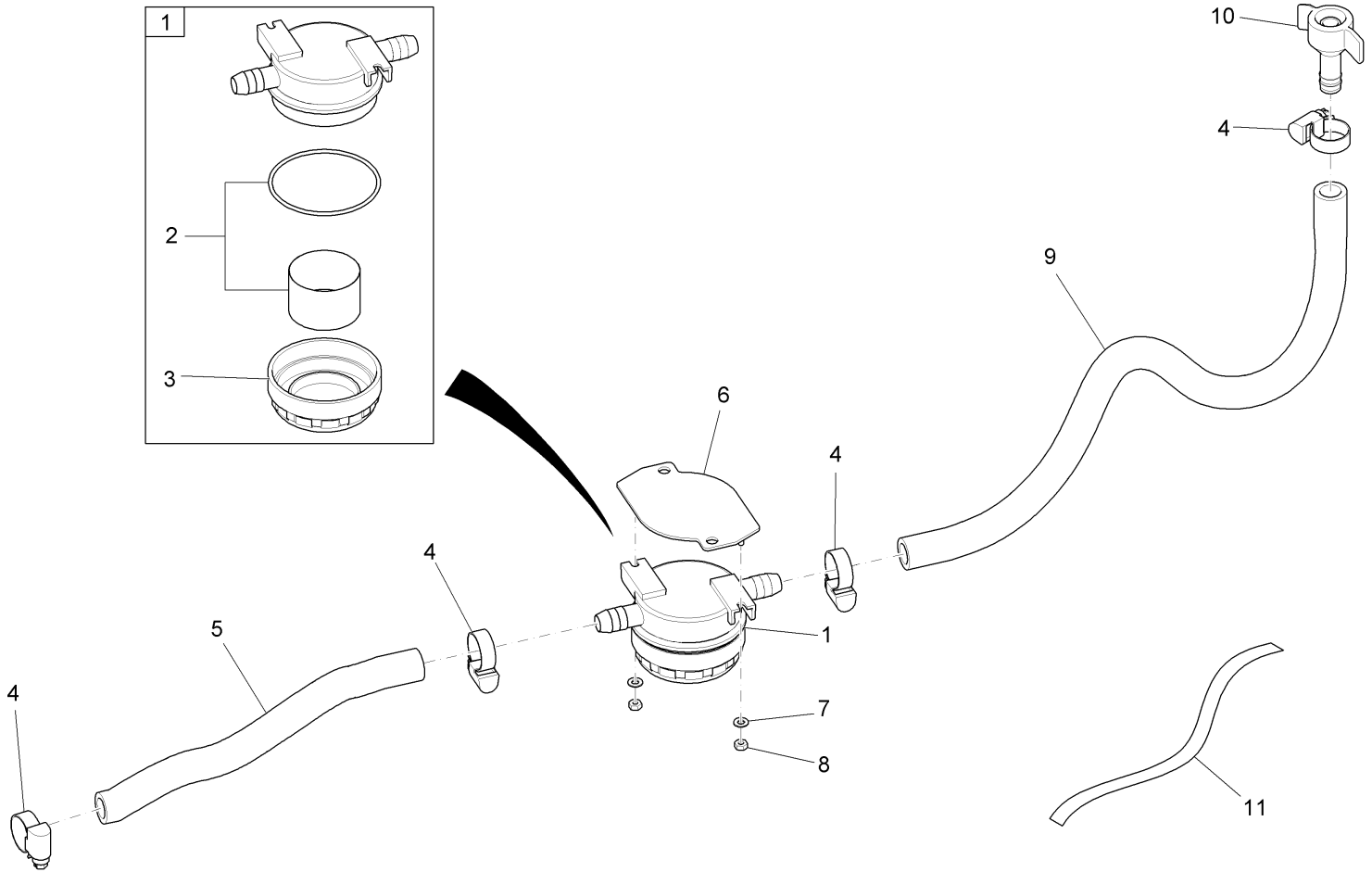
- 30: B70, B70 CL, B70 CLH,  
 B 650/07
- 31: B90, B120
- 32: B90CL, B90 CLH

## CHASSIS PART 3 BILL OF MATERIAL

### CHASSIS PART 3

Item	Part Numbers	Description	Qty.	Notes
1	97094981	Water supply 1	1	
2	00053730	Washer	4	
3	00104500	Hexagon screw	2	
4	01072520	Lens flange screw	1	
5	01077820	Bushing	1	
6	00051510	Hexagon nut	2	
7	00053080	Hexagon screw	2	
8	00053750	Washer	11	
9	01077760	Retainer	1	
10	00042900	Washer	1	
11	00053100	Hexagon screw	1	
12	01077700	Bushing	1	
13	01077740	Sheet metal	1	
14	00543750	Pump	1	
15	00559670	Case	1	
16	00083640	Plastic cover	1	
17	00083650	Plastic cover	1	
18	00903190	Tab	1	
19	00053720	Washer	1	
20	97094999-7061-40	Water supply 2	1	
21	00051520	Hexagon nut	2	
22	01017640	Lens flange screw	2	
23	01077840	Floating Caster	2	
24	01078150	Tension spring	1	
25	00735690	Eye bolt	1	
26	00053350	Hexagon nut	1	
27	01077830	Pivot	1	
28	03008100	Squeegee Mechanism	1	
29	00103300	Socket head screw	8	
30	01077980	Linkage	1	with B 70, B70 CL,B70 CLH, B650/07, MMAN E 26, Phoenix 26
31	01170560	Linkage	1	with B 90, B120, MMAN E28, 30, 33, 33XL, Phoenix 35
32	01170620	Linkage	1	with B90 CL, CLH, Phoenix 28, 30

**WATER SUPPLY 1  
EXPLODED ASSEMBLY VIEW**

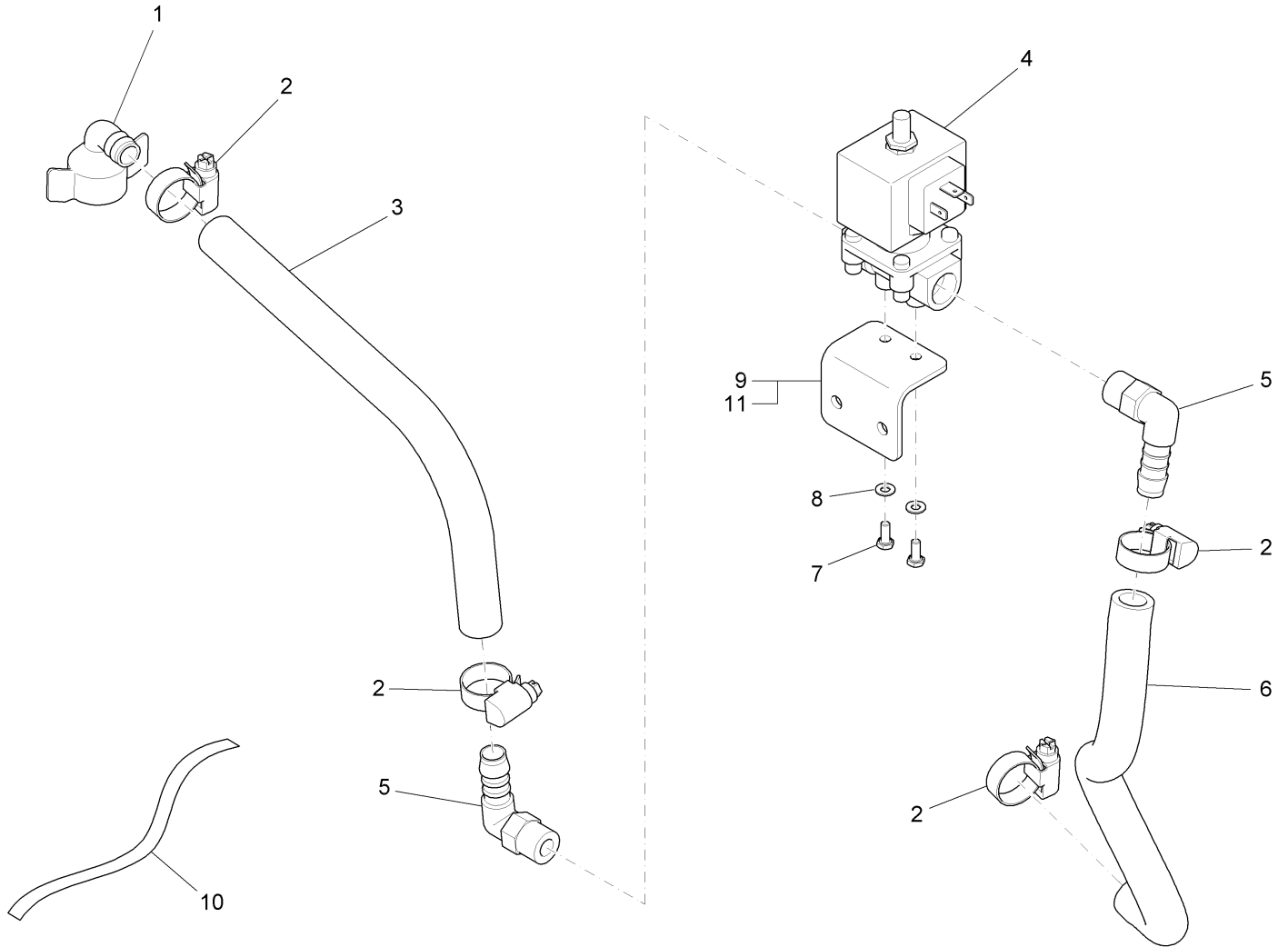


**BILL OF MATERIAL**

**97094981 - WATER SUPPLY 1**

Item	Part Numbers	Description	Qty.	Notes
1	01077170	Water filter	1	
2	01079170	Filter cartridge	1	with o-ring
3	01076500	Screw cap	1	
4	01015350	Hose clamp	4	
5	00200170	PVC hose	300mm	
6	01078510	Sheet metal	1	
7	00053710	Washer	2	
8	00133830	Hex. Nut	2	
9	00200170	PVC hose	480mm	
10	01071450	Screwing	1	
11	03007630	Sealing band	1	

**WATER SUPPLY 2  
EXPLODED ASSEMBLY VIEW**

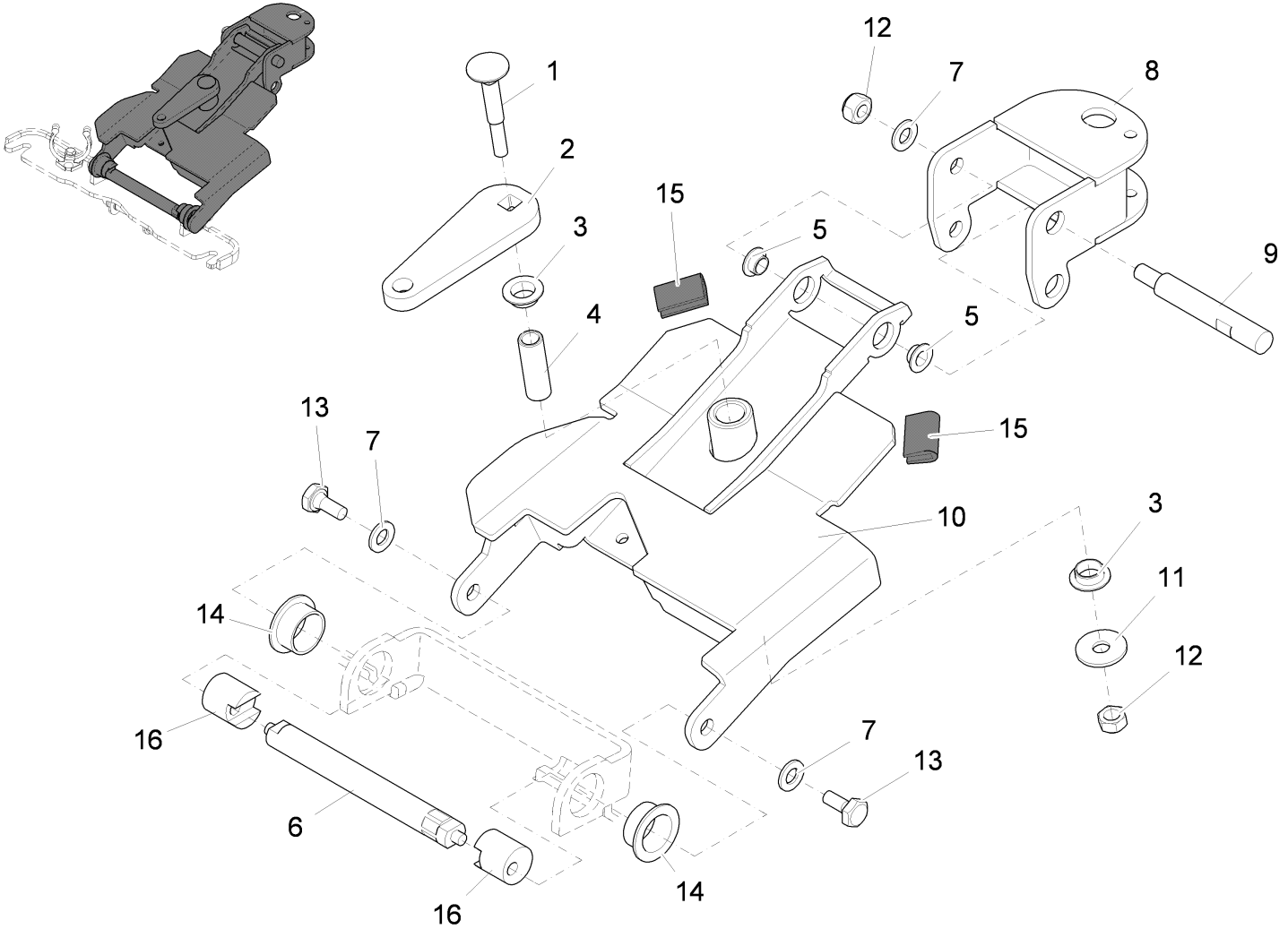


**BILL OF MATERIAL**

**97094999-7061-40 - WATER SUPPLY 2**

Item	Part Numbers	Description	Qty.	Notes
1	00154140	Screwed angle fitting	1	
2	01015350	Hose clamp	4	
3	00200170	PVC hose	1	
4	01071000	Electrovalve	1	
5	00020020	Angle socket	2	
6	00200170	PVC hose	1	
7	00058580	Hexagon Bolt	2	
8	00053710	Washer	2	
9	01076660	Retainer	1	used in production prior to March 2007
10	03007630	Sealing band	1	
11	01170030	Retainer	1	replaced #9, March 2007

# SQUEEGEE MECHANISM PART 1 EXPLODED ASSEMBLY VIEW

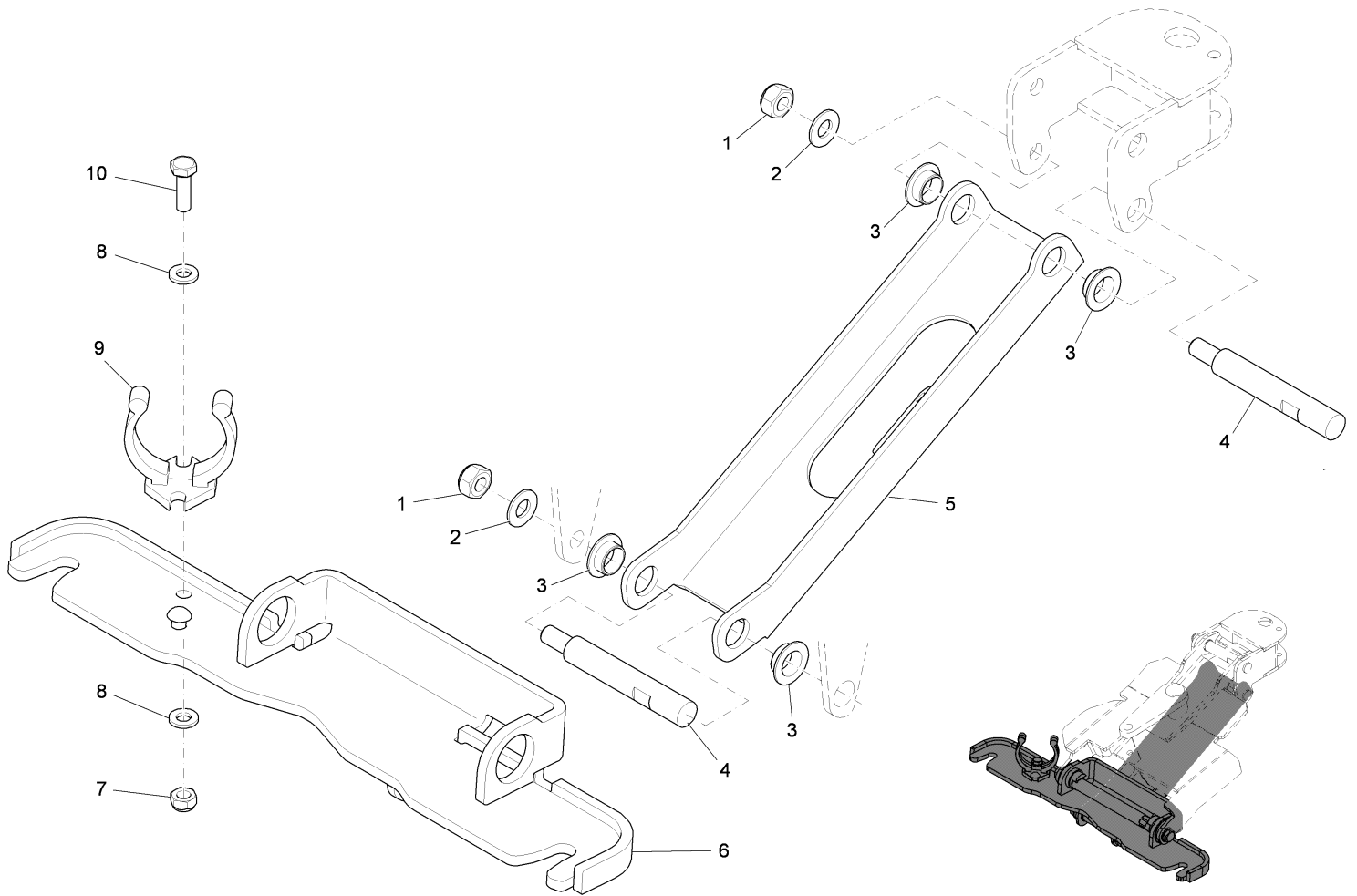


## BILL OF MATERIAL

03008100 - SQUEEGEE MECHANISM PART 1				
Item	Part Numbers	Description	Qty.	Notes
1	01130940	Cup head square neck bolt	1	
2	01170040	Sheet metal	1	
3	01077510	Slide bearing bushing	2	
4	01171550	Bushing	1	
5	01171330	Slide bearing bushing	2	
6	01171360	Shaft	1	
7	00101550	Washer	3	
8	01171290	Round part	1	
9	01171540	Threaded bolt	1	
10	01171300	Sheet metal	1	
11	00042900	Washer	1	
12	00101540	Hexagon nut	2	
13	01071740	Hexagon Bolt	2	
14	01130470	Slide bearing bushing	2	
15	00161240	Edge protection	60mm	
16	01171370	Excentric	2	



# SQUEEGEE MECHANISM PART 2 EXPLODED ASSEMBLY VIEW

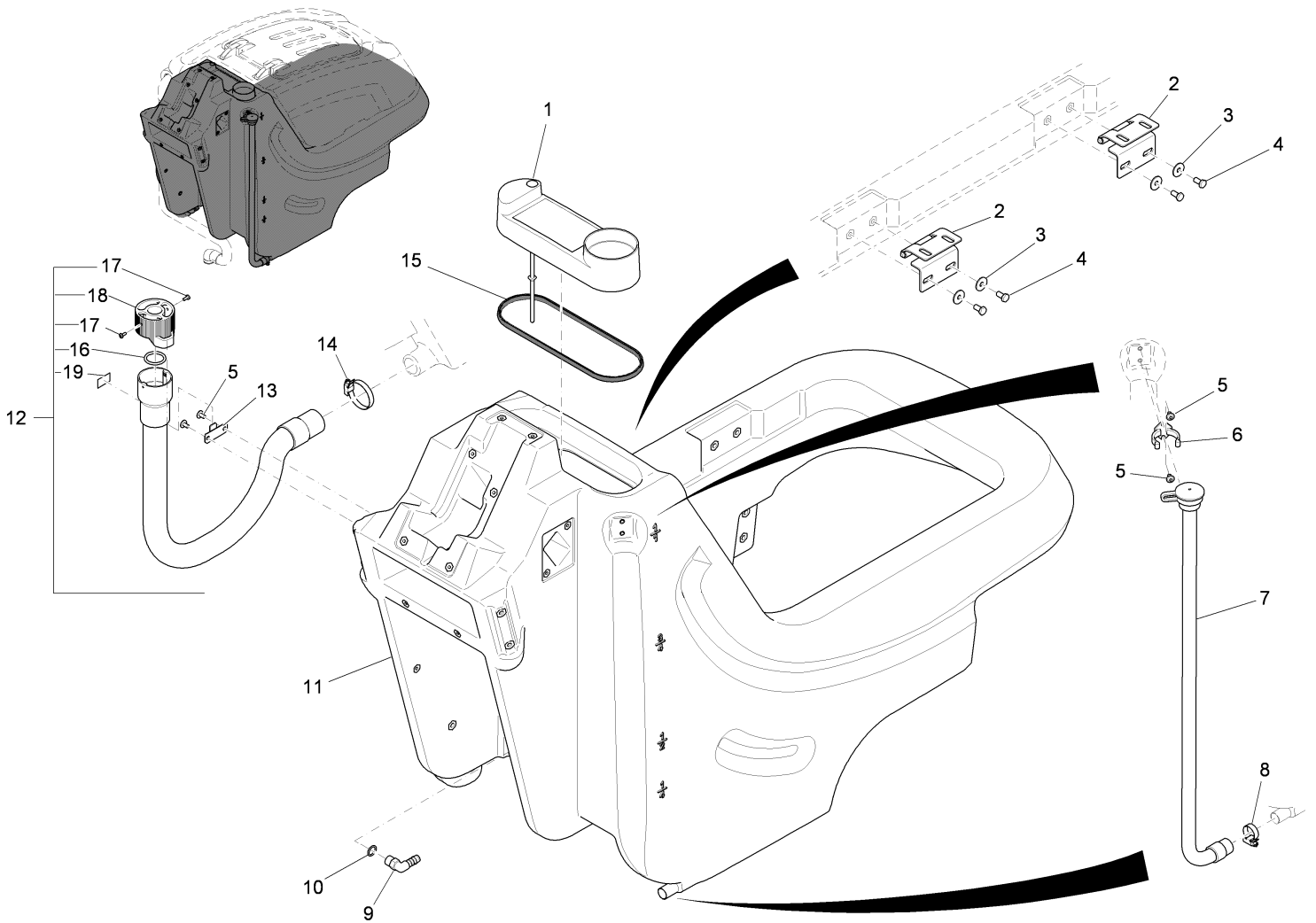


## BILL OF MATERIAL

### 03008100 - SQUEEGEE MECHANISM PART 2

Item	Part Numbers	Description	Qty.	Notes
1	00101540	Hexagon nut	2	
2	00101550	Washer	2	
3	01171330	Slide bearing bushing	4	
4	01171540	Threaded bolt	2	
5	01171280	Draft link	1	
6	01171310	Sheet metal	1	
7	00051520	Hexagon nut	1	
8	00053730	Washer	2	
9	01078120	Hose support	1	
10	00053020	Hexagon screw	1	

# HOPPER PART 1 EXPLODED ASSEMBLY VIEW

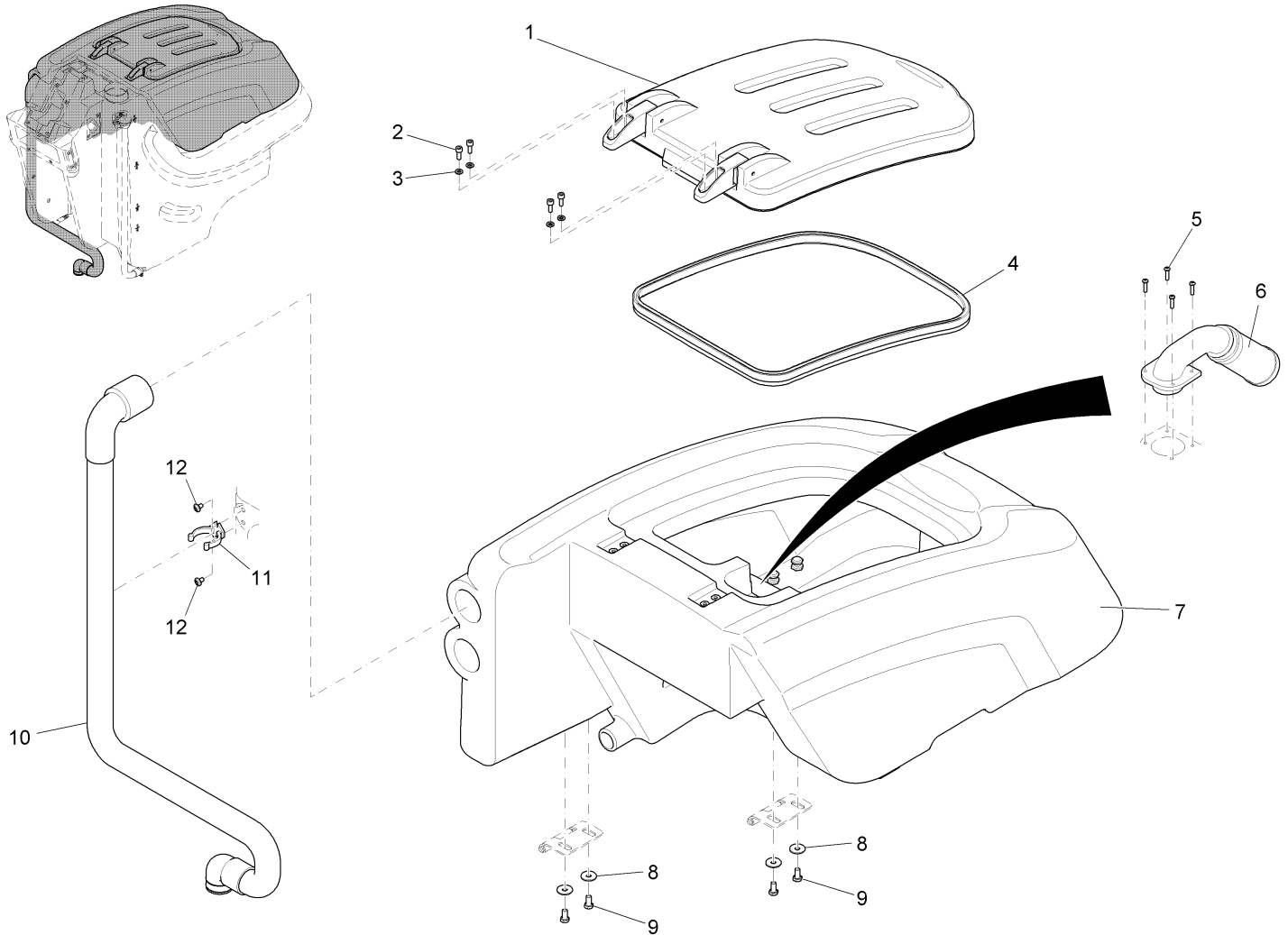


## HOPPER PART 1 BILL OF MATERIAL

### HOPPER PART 1

Item	Part Numbers	Description	Qty.	Notes
1	01078100	Fresh water cap	1	
2	01078110	Hinge	2	
3	00042900	Washer	4	
4	00053080	Hexagon screw	4	
5	01072520	Lens flange screw	4	
6	01078120	Hose support	1	
7	01077910	Hose	1	
8	01161690	Clamp	1	
9	00020020	Angle socket	1	
10	00057720	O-ring oil resistant	1	
11	01078130	Fresh water tank	1	
12	01077960	Foul water hose	1	
13	01077860	Hook	1	
14	00751160	Hose clamp	1	
15	00721090	Edge protection	710mm	
16	01079300	O-Ring	1	
17	00906100	Fillister-head screw	2	
18	00906110	Cover	1	
19	01170060	Decal Foul Water	1	

## HOPPER PART 2 EXPLODED ASSEMBLY VIEW

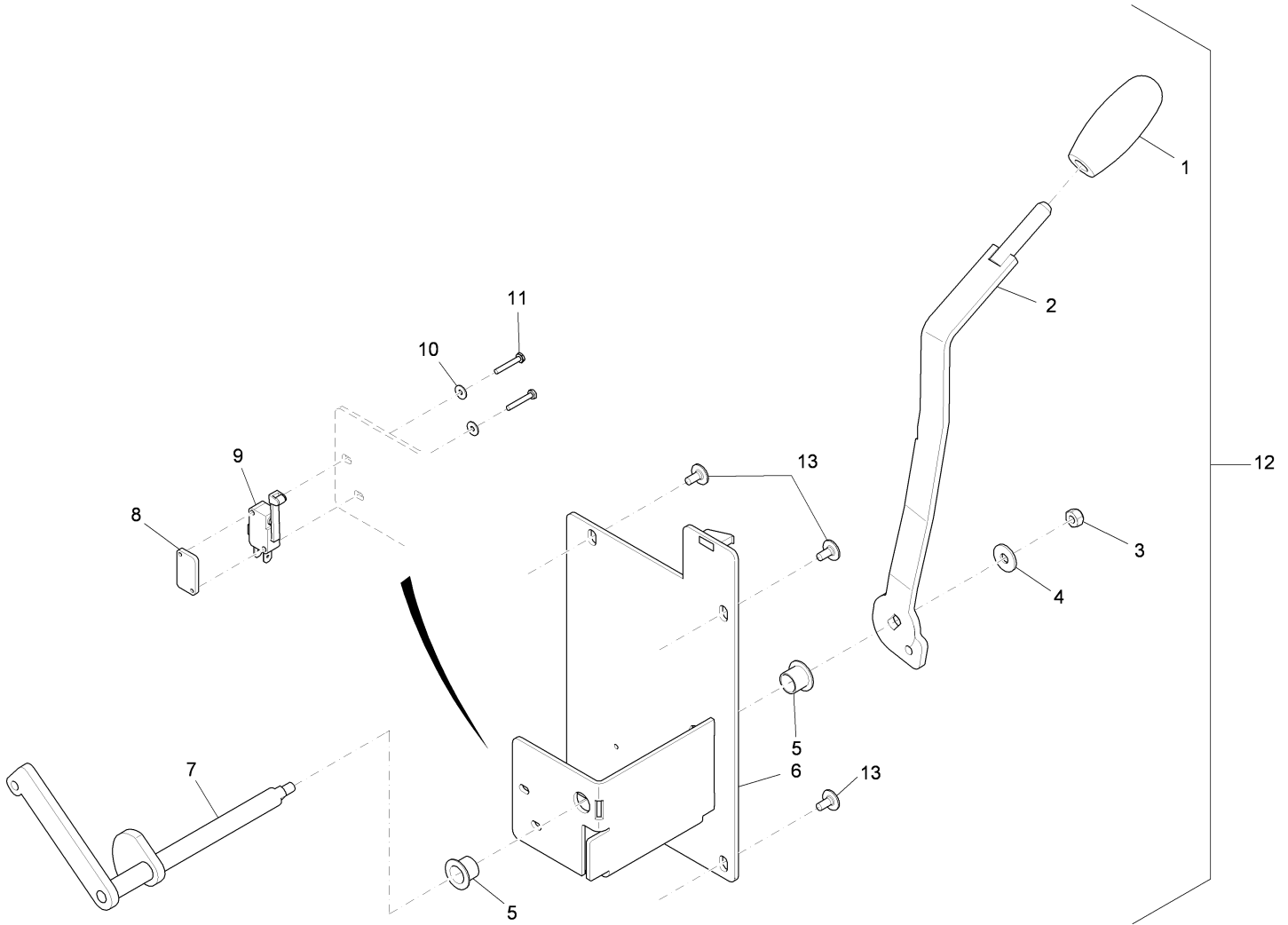


### BILL OF MATERIAL

#### HOPPER PART 2

Item	Part Numbers	Description	Qty.	Notes
1	01077990	Cover	1	
2	00136910	Cylinder head screw	4	
3	00053730	Washer	4	
4	01071770	Sealing profile	1	
5	01078160	Screw	4	
6	01078250	Filter unit	1	
7	96115167	Dirt container	1	not stocked, production part number
8	00042900	Washer	4	
9	00053080	Hexagon screw	4	
10	01077920	Suction hose	1	
11	01078120	Hose support	1	
12	01072520	Lens flange screw	2	

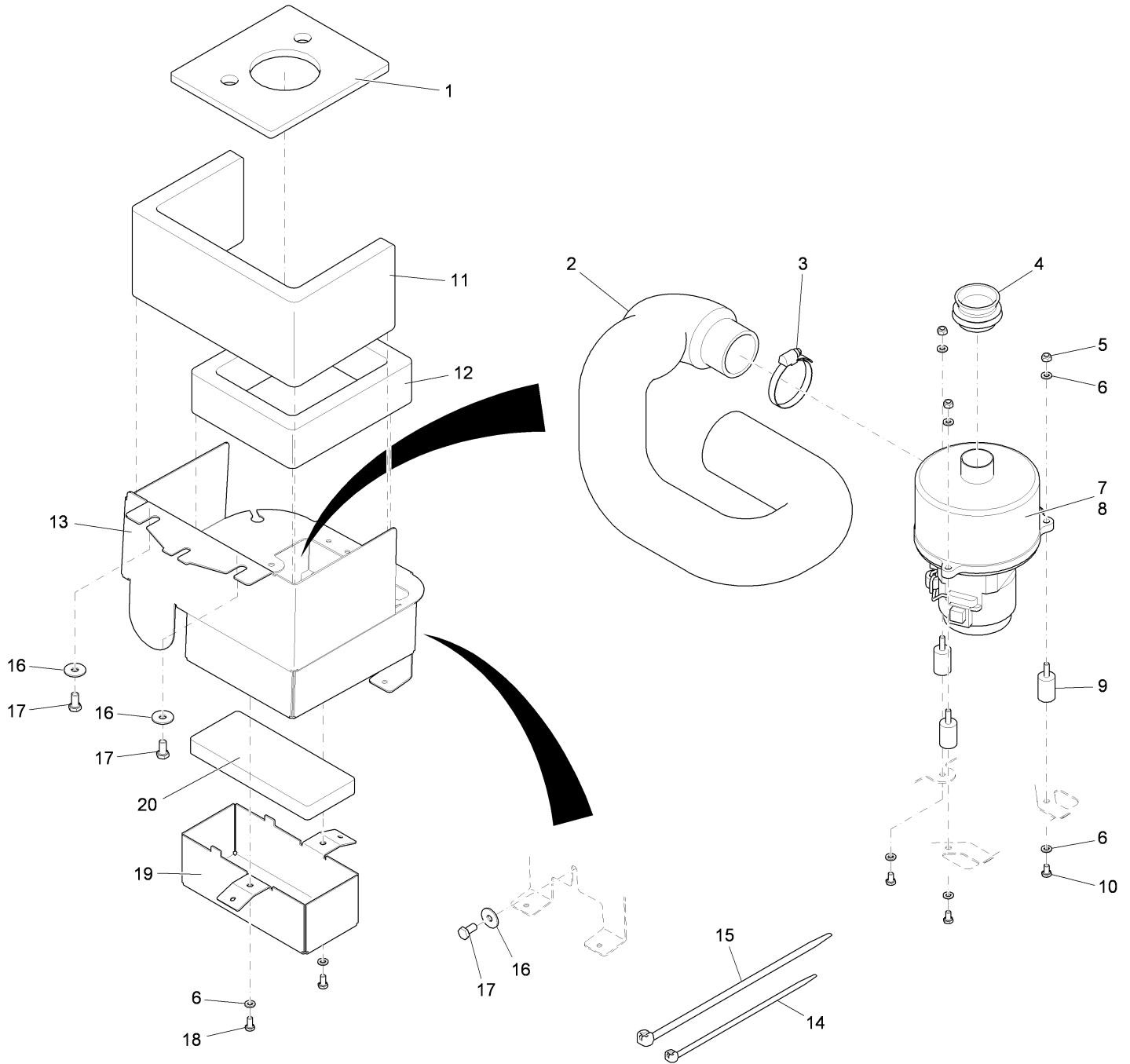
## SQUEEGEE OPERATION EXPLODED ASSEMBLY VIEW



### BILL OF MATERIAL

SQUEEGEE OPERATION				
Item	Part Numbers	Description	Qty.	Notes
1	00705560	Handle	1	
2	01079160	Lever	1	
3	00051520	Hexagon nut	1	
4	00135120	Washer	1	
5	01071440	Plain bearing bush	2	
6	01079710	Support plate	1	
7	01079720	Shaft with cam	1	
8	01074840	Thread base plate	1	
9	00975510	Micro switch	1	
10	00747400	Washer	2	
11	00022180	Hexagon bolt	2	
12	00009000	Lifting suction unit	1	
13	01072520	Lens flange screw	4	

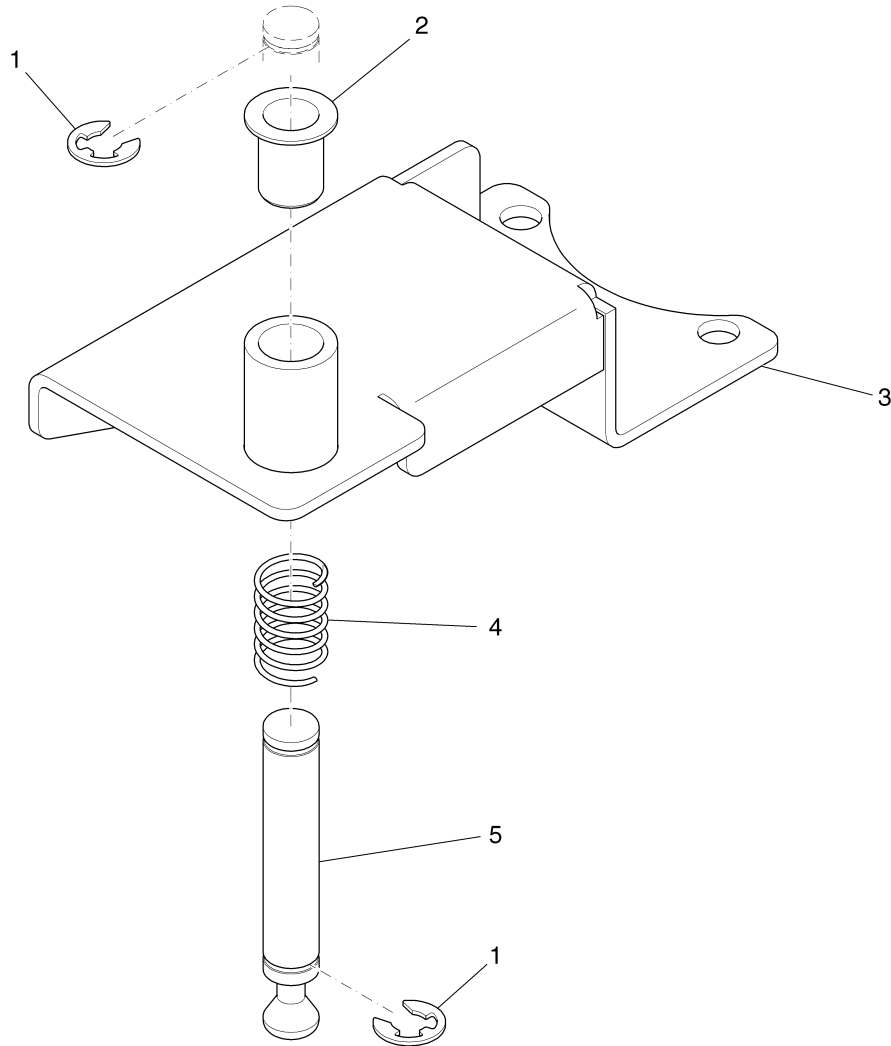
# SUCTION EXPLODED ASSEMBLY VIEW



**SUCTION  
BILL OF MATERIAL**

SUCTION				
Item	Part Numbers	Description	Qty.	Notes
1	01079740	Insulation mat	1	
2	01077900	Hose	1	
3	00732130	Hose clamp	1	
4	01078180	Connection	1	
5	00051520	Hexagon nut	3	
6	00053730	Washer	8	
7	01079350	Suction motor	1	
8	00048840	Carbon brush	4	
9	01078190	Buffer	3	
10	00025260	Hexagon screw	3	
11	01170300	Insulation mat	1	
12	01170310	Insulation mat	1	
13	03007810	Sheet metal	1	
14	00121150	Cable tie	1	
15	00967760	Cable tie	4	
16	00042900	Washer	3	
17	00053080	Hexagon screw	3	
18	00104500	Hexagon screw	2	
19	01079750	Cover	1	
20	01170290	Insulation mat	1	

**SQUEEGEE LOCK  
EXPLODED ASSEMBLY VIEW**



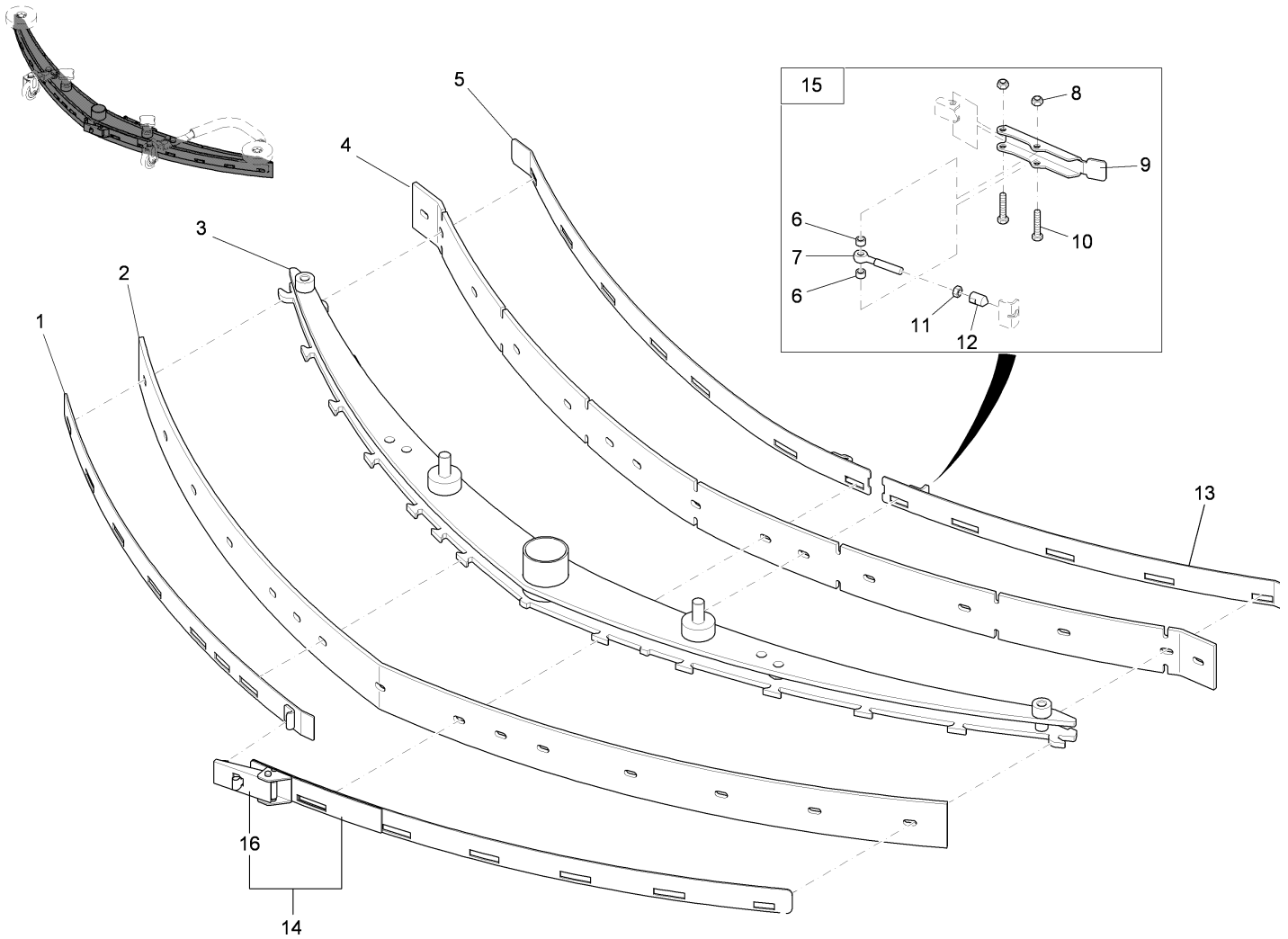
**BILL OF MATERIAL**

**SQUEEGEE LOCK**

Item	Part Numbers	Description	Qty.	Notes
1	00046280	E-Ring	2	
2	00041400	Plain bearing bushing	1	
3	01170730	Folding plate	1	
4	01170280	Cylinder compression spring	1	
5	01170270	Pin	1	



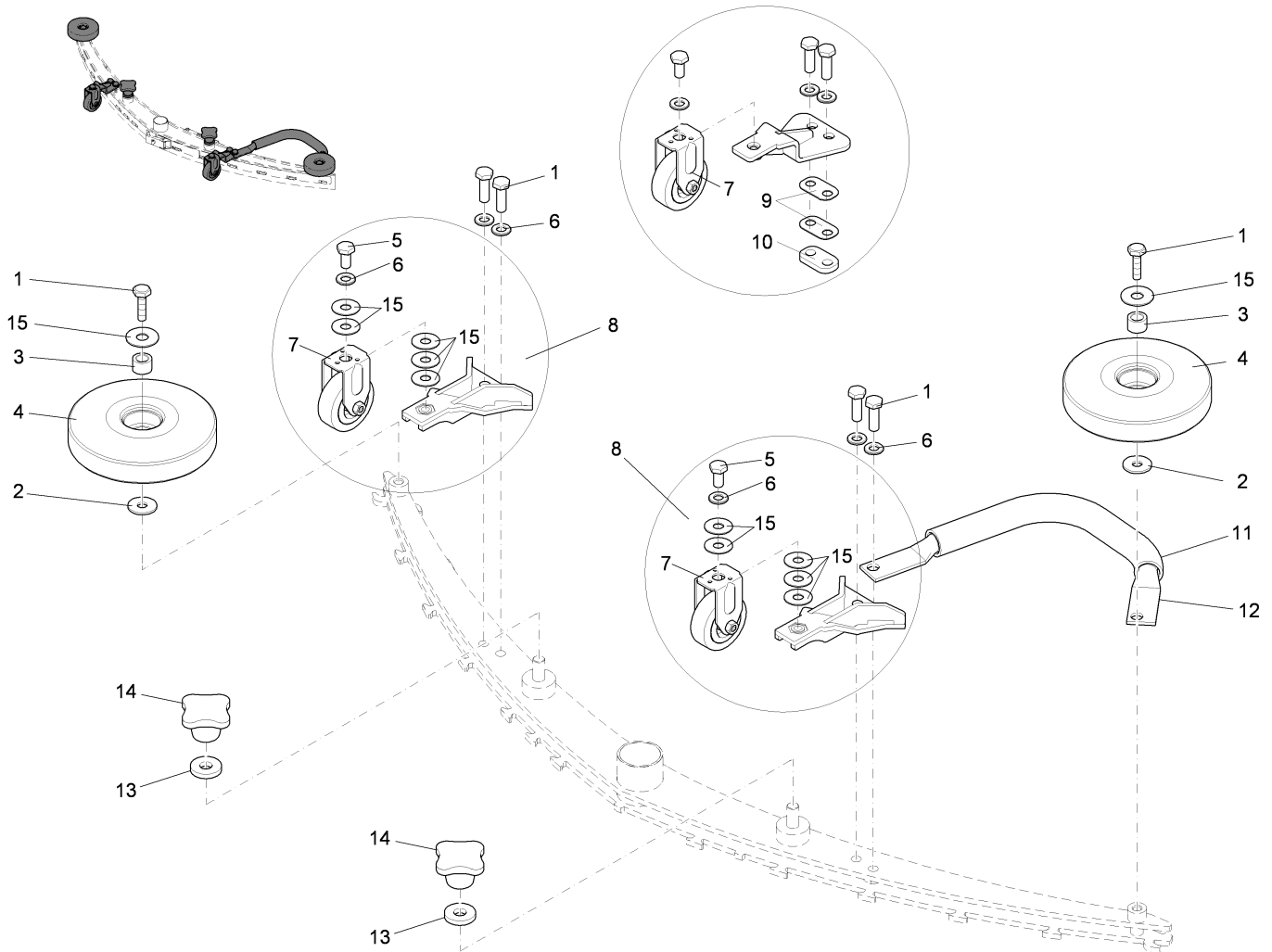
**SQUEEGEE 95cm PART 1  
EXPLODED ASSEMBLY VIEW**



**BILL OF MATERIAL**

SQUEEGEE 95cm PART 1				
Item	Part Numbers	Description	Qty.	Notes
1	01077660	Rear tension band	1	
2	01077480	Sealing strip	1	
3	01077940	Suction unit	1	
4	01077470	Slot strip	1	
5	01077650	Front tension band	1	
6	01077590	Bushing	2	
7	01077500	Eye bolt	1	
8	01017660	Hexagon Nut	2	
9	01077580	Lever	1	
10	01079890	Hexagon screw	2	
11	00902250	Hexagon Nut	1	
12	01078090	Pressure piece	1	
13	01077640	Front tension band	1	
14	01077670	Rear tension band	1	
15	00009010	Lock suction unit	1	
16	01171810	Lock	1	

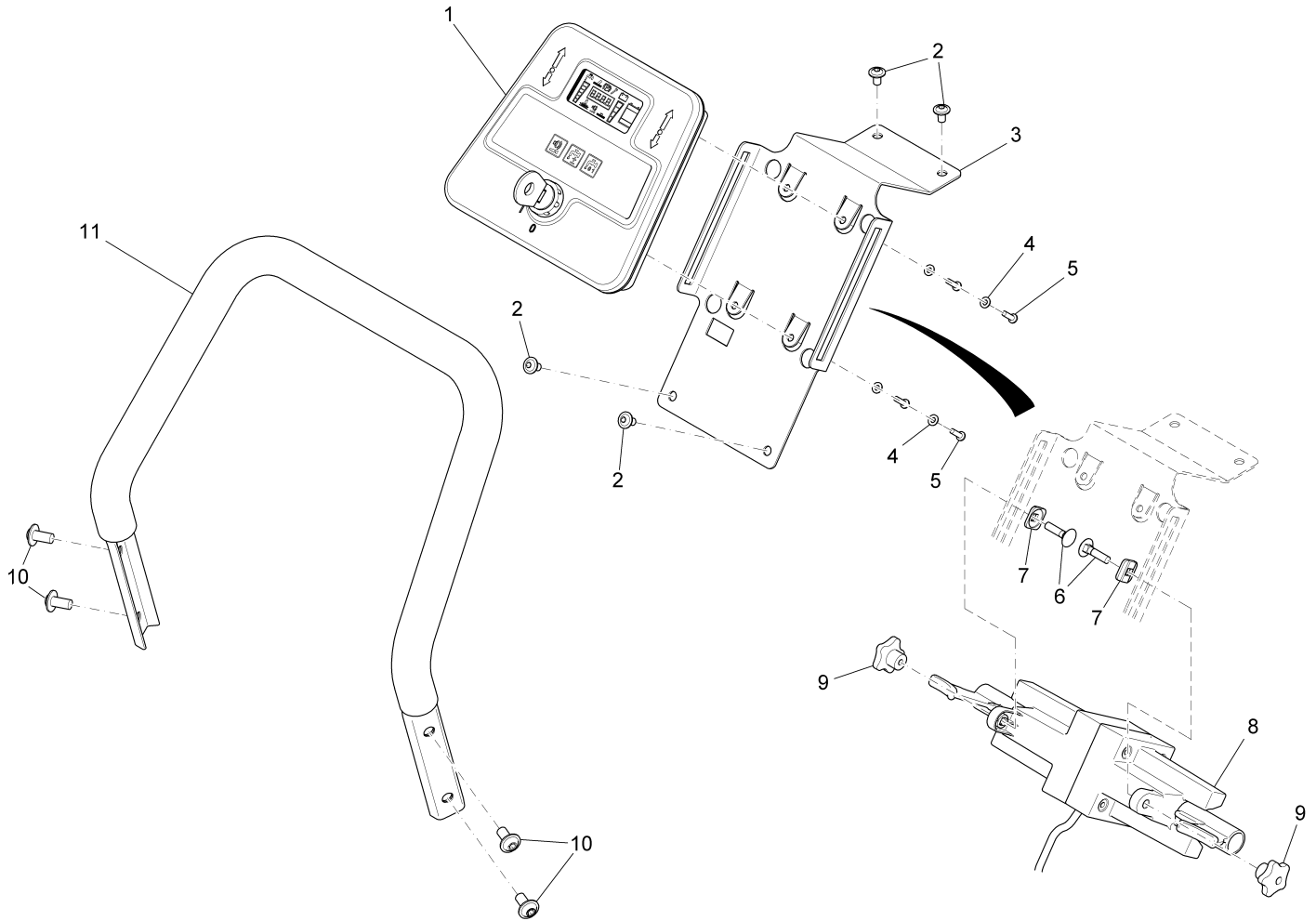
**SQUEEGEE 95cm PART 2  
EXPLODED ASSEMBLY VIEW**



**BILL OF MATERIAL**

SQUEEGEE 95cm PART 2				
Item	Part Numbers	Description	Qty.	Notes
1	01059530	Hexagon screw	6	
2	00902280	Washer	2	
3	00879030	Pipe	2	
4	01171790	Deflector roller	2	
5	01071740	Hexagon bolt	2	
6	00101550	Washer	4	
7	01077810	Fixed castor	2	
8	01079070	Fixed castor	2	
9	01077610	Distance piece	2	
10	01077600	Distance piece	1	
11	00911270	Hose	250mm	
12	01077620	Bracket	1	
13	00972060	Washer	2	
14	00866720	Star handle	2	
15	01079080	Spacer	10	

**OPERATION HANDLE  
EXPLODED ASSEMBLY VIEW**

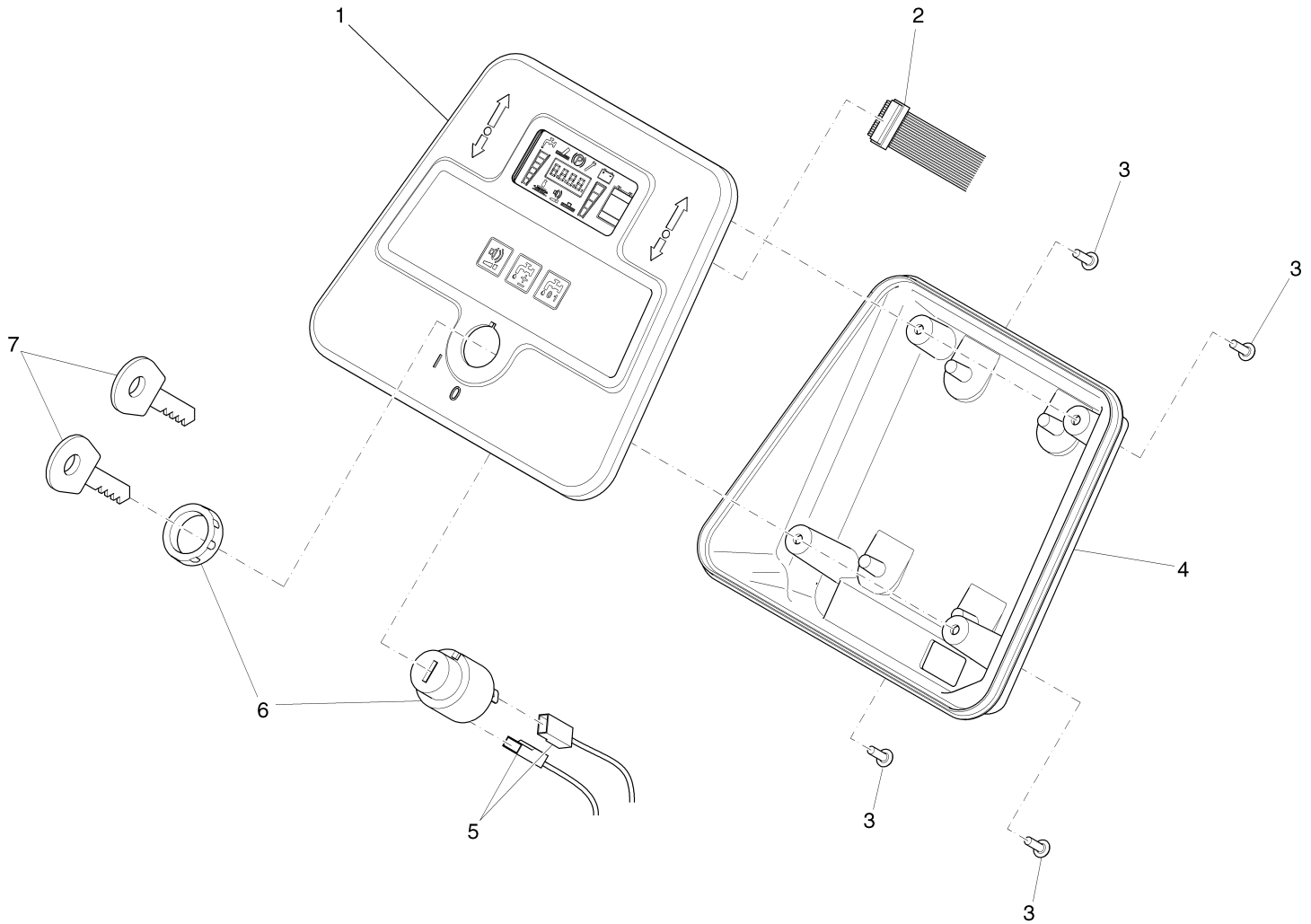


**BILL OF MATERIAL**

**OPERATION HANDLE**

Item	Part Numbers	Description	Qty.	Notes
1	97091839	Console	1	
2	01072520	Lens flange screw	4	
3	01170170	Sheet metal	1	
4	00874720	Washer	4	
5	00961490	Self tapping screw	4	
6	00104930	Round head screw	2	
7	01078430	Sliding block	2	
8	01077970	Drive sensor	1	
9	00853730	Star handle	2	
10	01171380	Lens flange screw	4	
11	01079760	Handle bar	1	

**CONSOLE  
EXPLODED ASSEMBLY VIEW**

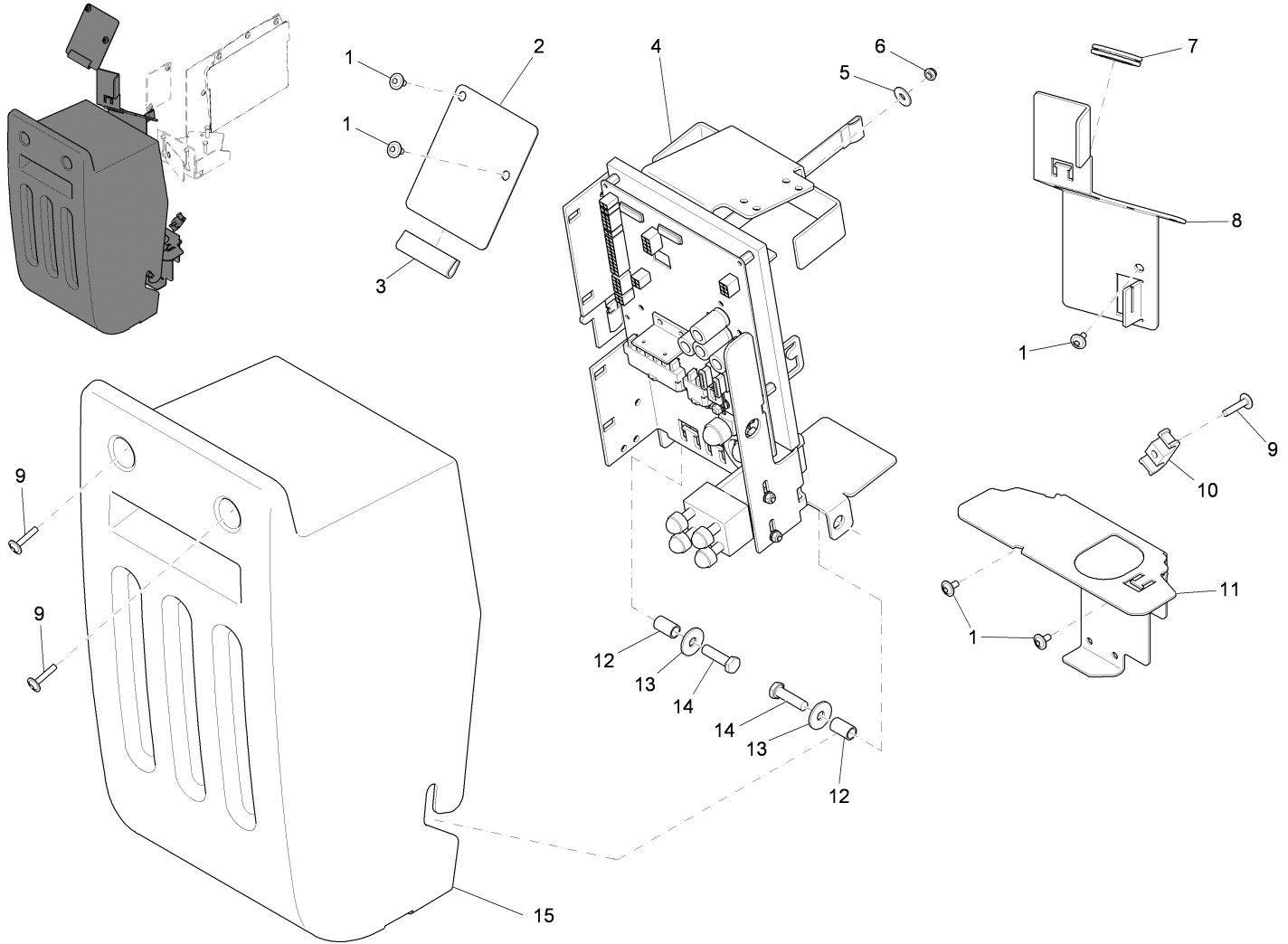


**BILL OF MATERIAL**

**97091839 - CONSOLE**

Item	Part Numbers	Description	Qty.	Notes
1	01079090	Console B70/B90	1	
2	01078930	Ribbon cable	1	
3	01078860	Screw	4	
4	01078940	Console	1	
5	01078950	Cable key switch	1	
6	00021710	Key switch	1	
7	00745890	Set (2pc.) key	1	

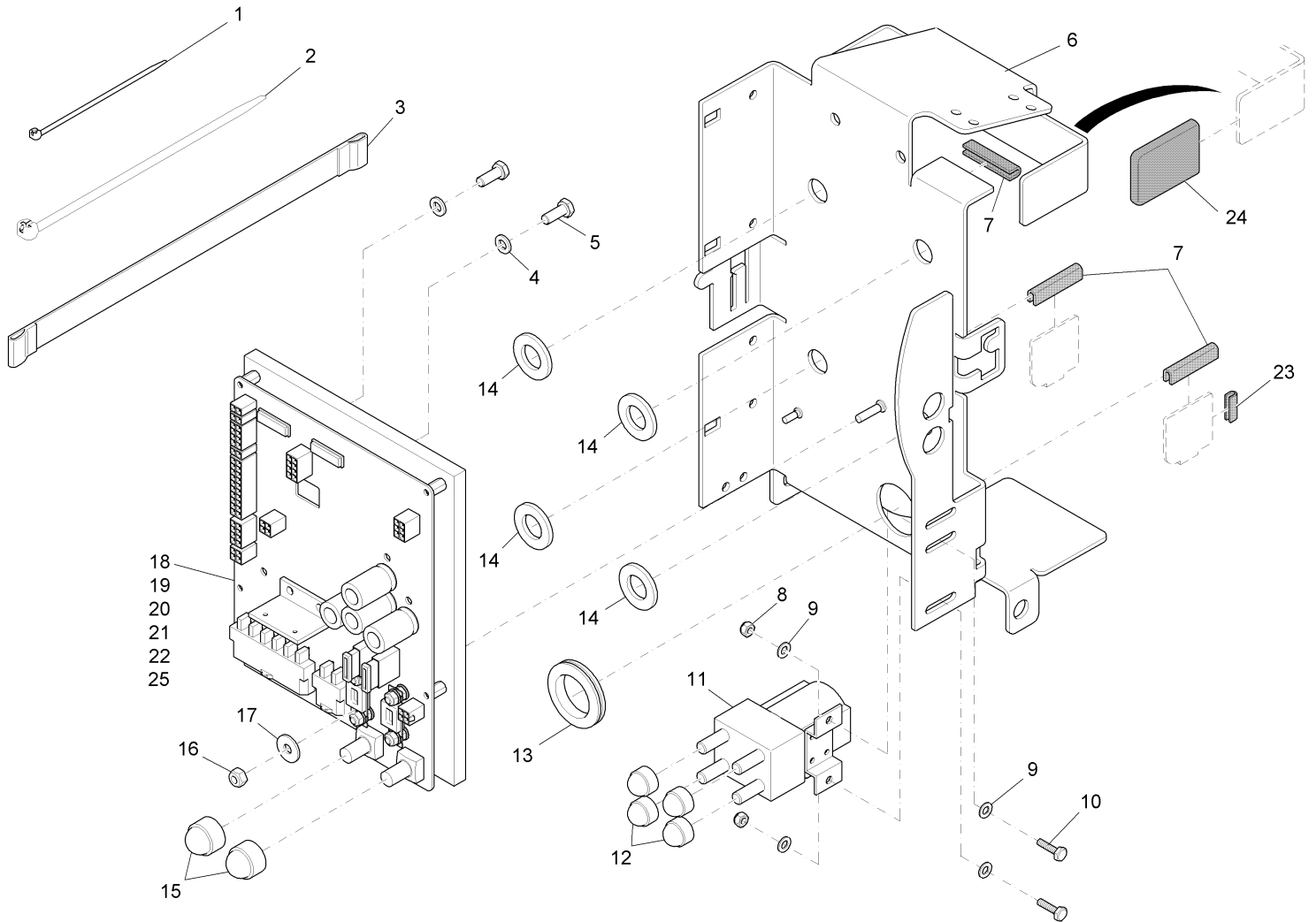
**ELECTRIC PART 1  
EXPLODED ASSEMBLY VIEW**



**BILL OF MATERIAL**

ELECTRIC PART 1				
Item	Part Numbers	Description	Qty.	Notes
1	01072520	Lens flange screw	5	
2	01078570	Sheet metal	1	
3	00161240	Edge protection	60mm	
4	97094890	Retainer	1	
5	00153200	Washer	1	
6	00051520	Hexagon nut	1	
7	00902020	Cable sleeve	1	
8	01078580	Sheet metal	1	
9	01082530	Lens flange screw	3	
10	01073420	Clamp	1	
11	01078590	Clamping plate	1	
12	01078260	Bushing	2	
13	00042900	Washer	2	
14	00053110	Hexagon screw	2	
15	01078270	Covering	1	

# RETAINER EXPLODED ASSEMBLY VIEW

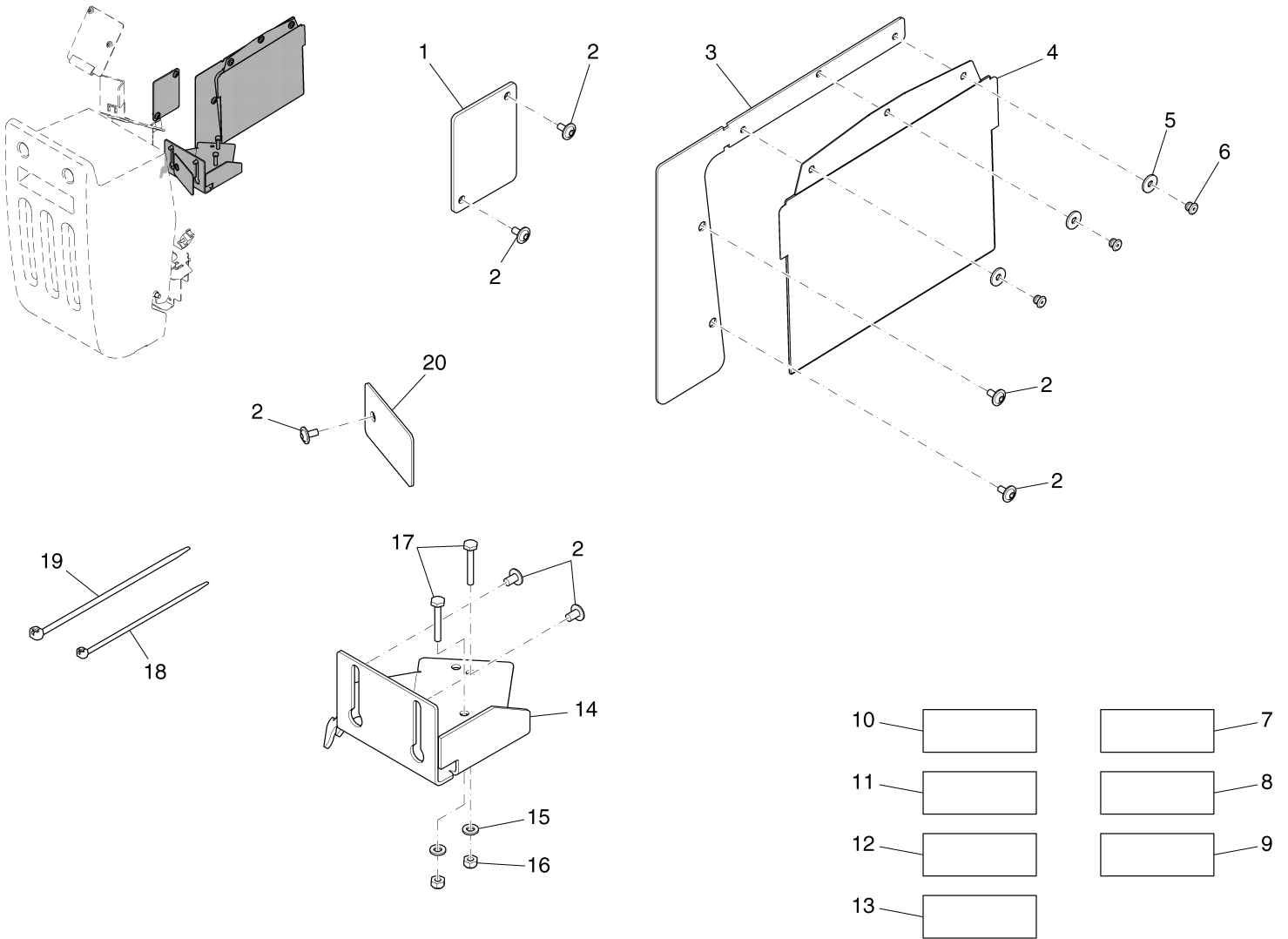


**RETAINER  
BILL OF MATERIAL**

**97094890 - RETAINER**

<b>Item</b>	<b>Part Numbers</b>	<b>Description</b>	<b>Qty.</b>	<b>Notes</b>
1	00967760	Cable tie	4	
2	00121150	Cable tie	8	
3	01077880	Webbing	1	
4	00053730	Washer	2	
5	01090810	Hexagon screw	2	
6	01078640	Retainer	1	
7	00721090	Edge protection	120mm	
8	00051340	Hexagon nut	2	
9	00053720	Washer	4	
10	00054410	Hexagon bolt	2	
11	00707360	Solenoid	1	
12	00131610	Lens cap	4	
13	00902020	Cable sleeve	1	
14	01078240	Washer	4	
15	00747210	Lens cap	2	
16	00051520	Hexagon nut	1	
17	00135120	Washer	1	
18	01078650	Controller B70 CL	1	
19	00972420	Strip fuse	0	
20	00902440	Strip fuse	0	
21	00733630	Fuse	0	
22	00972430	Fuse	0	
23	00721090	Edge protection	30mm	
24	01074240	Cap	2	
25	00906120	Fuse	1	

# ELECTRIC PART 2 EXPLODED ASSEMBLY VIEW



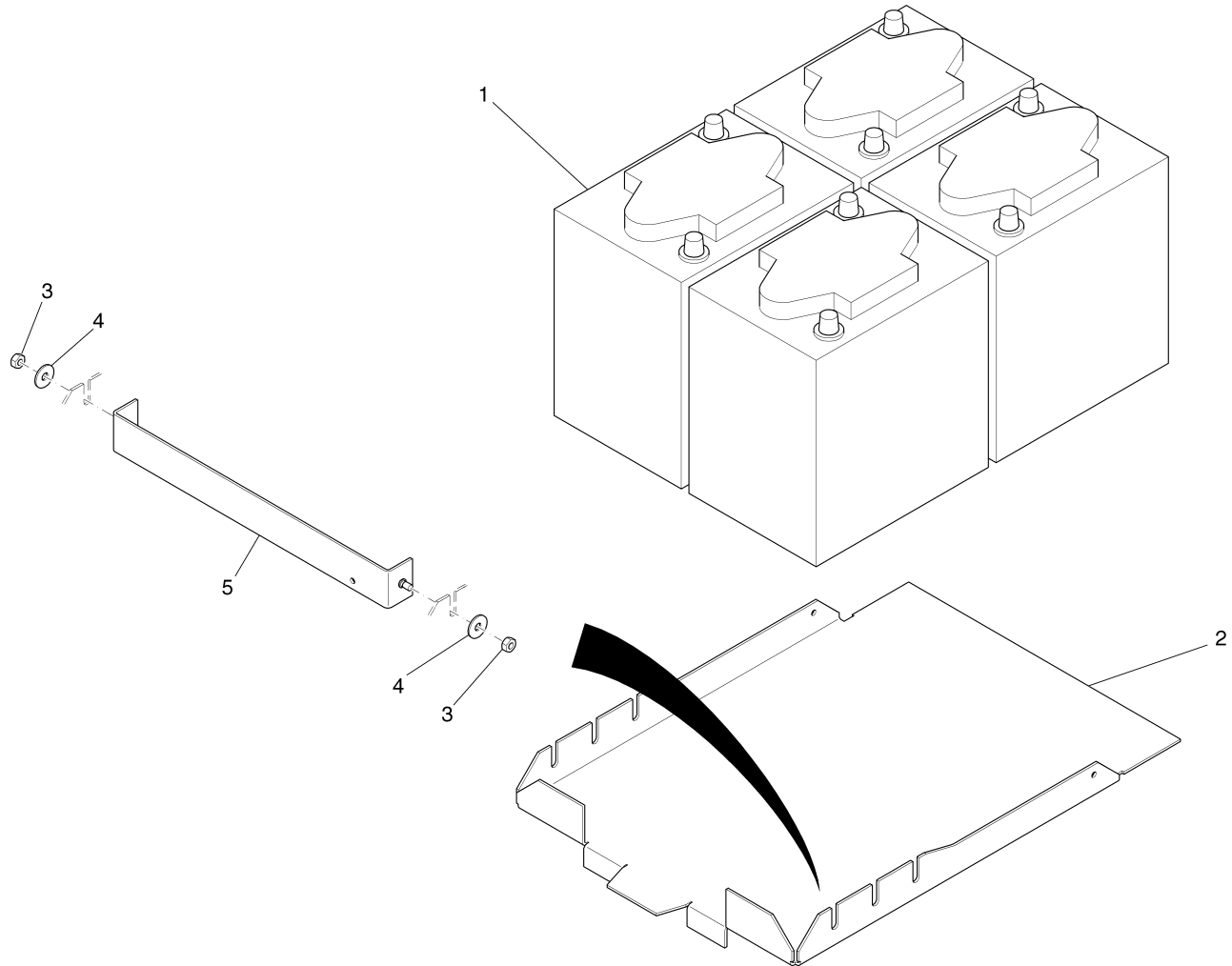


**ELECTRIC PART 2  
BILL OF MATERIAL**

**ELECTRIC PART 2**

<b>Item</b>	<b>Part Numbers</b>	<b>Description</b>	<b>Qty.</b>	<b>Notes</b>
1	01078600	Covering	1	
2	01072520	Lens flange screw	7	
3	01078610	Sheet metal	1	
4	01078280	Bag	1	
5	00555520	Washer	3	
6	01078290	Blind rivet	3	
7	03006850	Wiring harness W1	1	
8	03007770	Wiring harness	1	
9	03006860	Wiring harness W3	1	
10	03006870	Wiring harness W9	1	
11	03006880	Wiring harness W11	1	
12	03006890	Set of cables	1	
13	03006900	Set of cables battery	1	
14	01078620	Sheet metal	1	
15	00053730	Washer	2	
16	00051520	Hexagon nut	2	
17	00535110	Hexagon bolt	2	
18	00121150	Cable tie	12	
19	00967760	Cable tie	18	
20	01078630	Sheet metal	1	

**BATTERY TRAY  
EXPLODED ASSEMBLY VIEW**

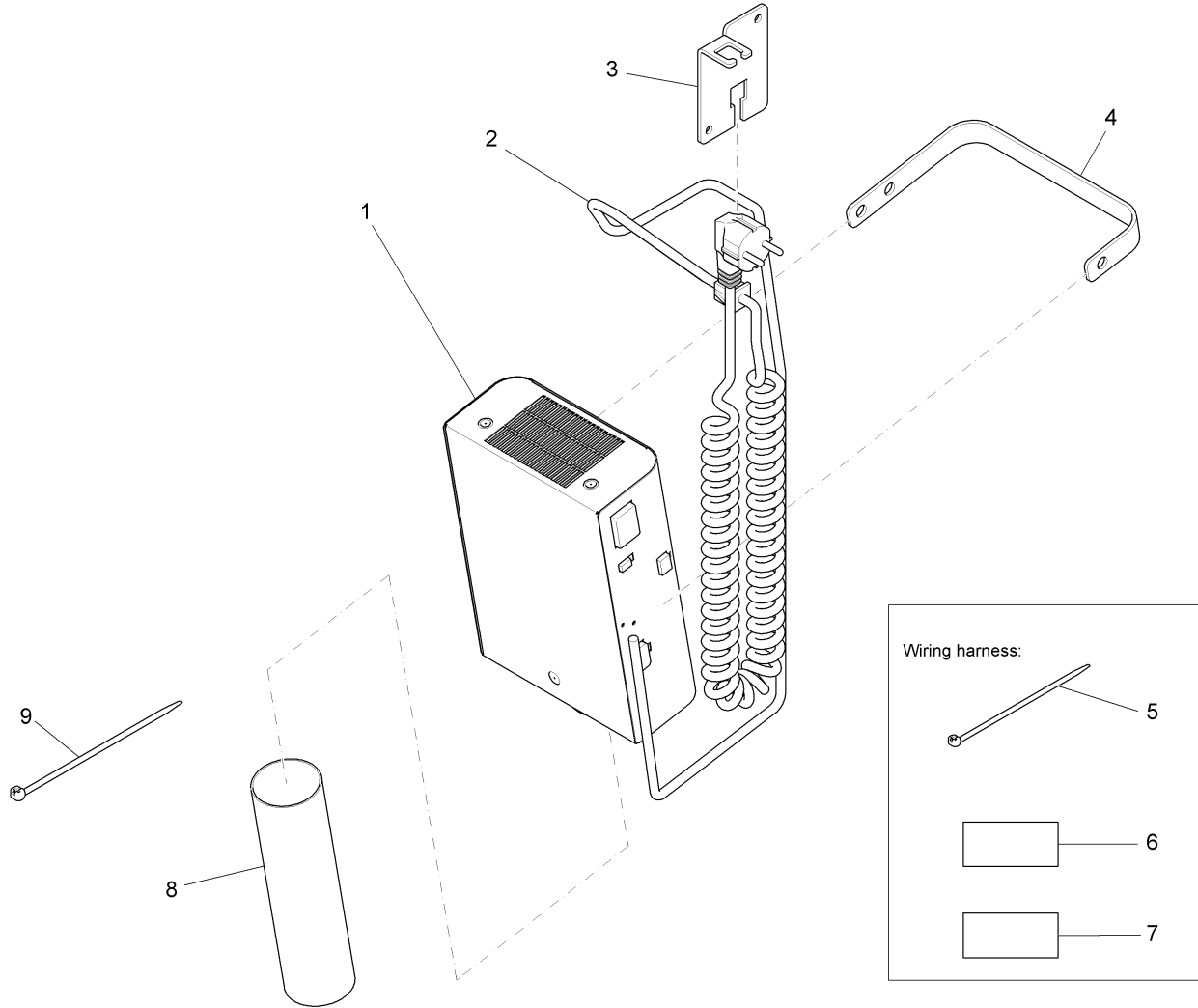


**BILL OF MATERIAL**

**BATTERY TRAY**

Item	Part Numbers	Description	Qty.	Notes
1	99741100	Block battery	4	
2	01078660	Sheet metal	1	
3	00051510	Hexagon nut	2	
4	00042900	Washer	2	
5	01078670	Retainer	1	

**BATTERY CHARGER 30A  
EXPLODED ASSEMBLY VIEW**

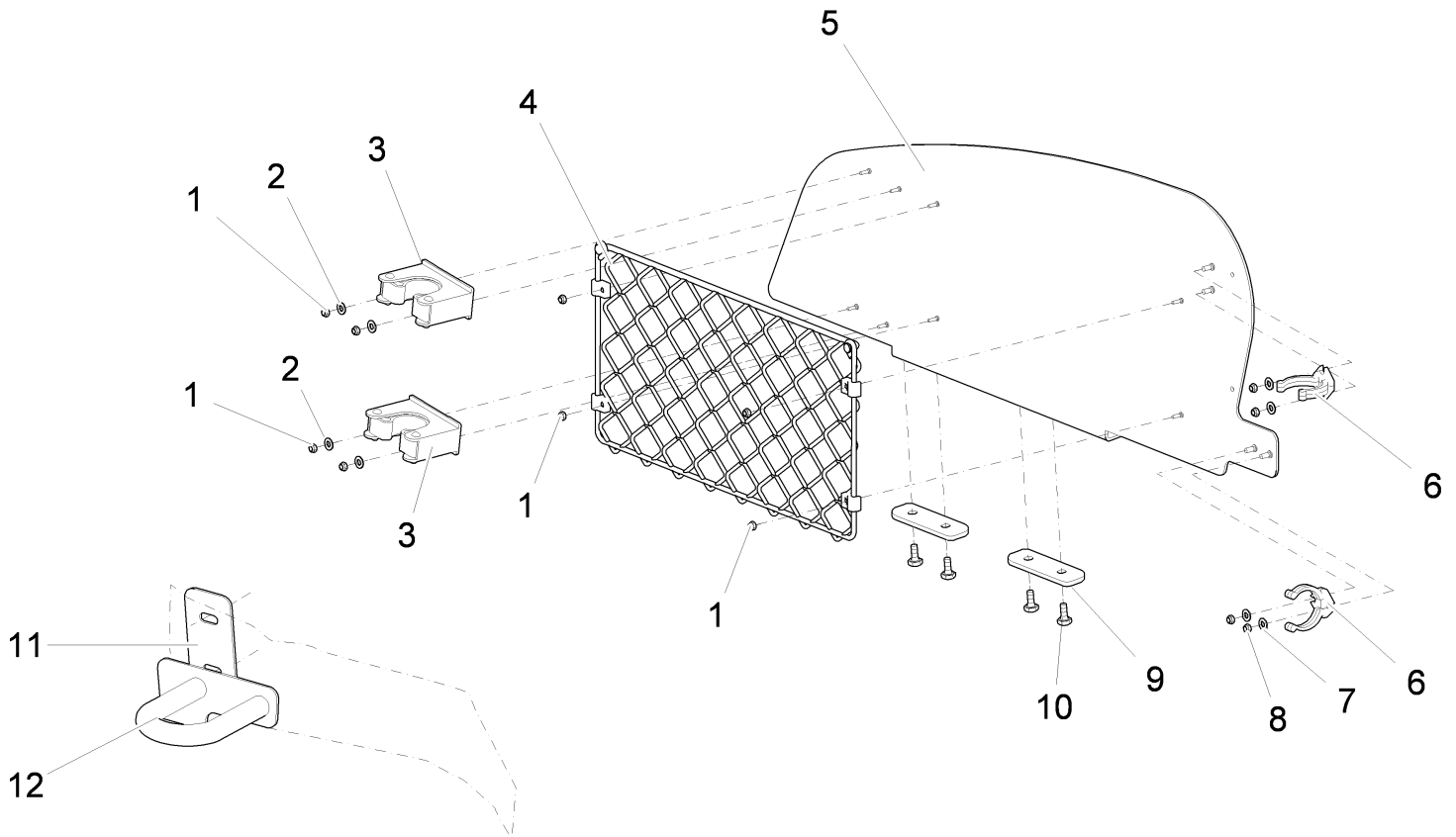


**BILL OF MATERIAL**

**BATTERY CHARGER 30A**

Item	Part Numbers	Description	Qty.	Notes
1	01078530	On-board charger	1	
2	01078310	Power cable	1	
3	01078540	Covering	1	
4	01077870	Tension band	1	
5	00121150	Cable tie	8	
6	03006770	Wire harness W6	1	
7	01172530	Wiring harness W8	1	
8	01078320	Hose	1	
9	00967760	Cable tie	1	

**TOOL HOLDER  
EXPLODED ASSEMBLY VIEW**

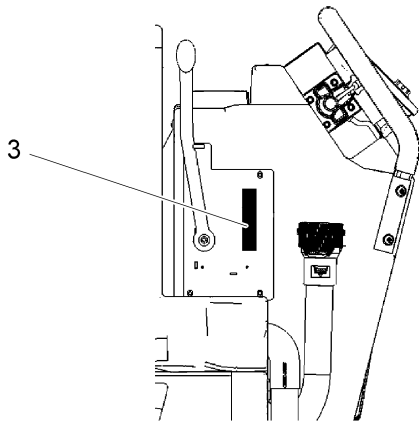
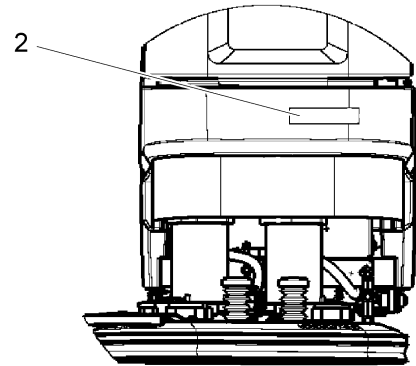
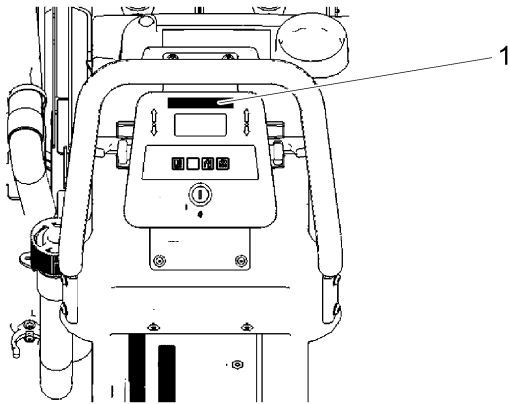


**BILL OF MATERIAL**

**TOOL HOLDER**

Item	Part Numbers	Description	Qty.	Notes
1	00133830	Hexagon nut	8	
2	00053710	Washer	4	
3	01078890	Mounting	2	
4	01078880	Luggage rack	1	
5	96120704	Sheet metal	1	not stocked, production part number
6	01078120	Hose support	2	
7	00053730	Washer	4	
8	00051520	Hexagon nut	4	
9	90541707	Sheet metal	2	not stocked, production part number
10	00053080	Hexagon screw	4	
11	01078910	Retainer	1	
12	00200170	PVC hose	330mm	

**LABELING  
EXPLODED ASSEMBLY VIEW**



**BILL OF MATERIAL**

**LABELING**

Item	Part Numbers	Description	Qty.	Notes
1	17205105	Decal HACOMATIC B70 CLH	1	not stocked, production part number
2	01076790	Decal HAKO silver	1	
3	01170740	Decal	1	

**Minuteman International Made Simple Commercial Limited Warranty**  
**REVISION E**  
**EFFECTIVE 1/1/2009**

Minuteman International, Inc. warrants to the original purchaser/user that the product is free from defects in workmanship and materials under normal use. Minuteman will, at its option, repair or replace without charge, parts that fail under normal use and service when operated and maintained in accordance with the applicable operation and instruction manuals. All warranty claims must be submitted through and approved by factory authorized repair stations.

This warranty does not apply to normal wear, or to items whose life is dependent on their use and care, such as belts, cords, switches, hoses, rubber parts, electrical motor components or adjustments. Parts manufactured by Minuteman are covered by and subject to the warranties and/or guarantees of their manufacturers. Please contact Minuteman for procedures in warranty claims against these manufacturers.

**Special warning to purchaser** -- Use of replacement filters and/or prefilters not manufactured by Minuteman or its designated licensees, will void all warranties expressed or implied. A potential health hazard exists without original equipment replacement.

All warranted items become the sole property of Minuteman or its original manufacturer, whichever the case may be.

Minuteman disclaims any implied warranty, including the warranty of merchantability and the warranty of fitness for a particular purpose. Minuteman assumes no responsibility for any special, incidental or consequential damages.

This limited warranty is applicable only in the U.S.A. and Canada, and is extended only to the original user/purchaser of this product. Customers outside the U.S.A. and Canada should contact their local distributor for export warranty policies. Minuteman is not responsible for costs or repairs performed by persons other than those specifically authorized by Minuteman. This warranty does not apply to damage from transportation, alterations by unauthorized persons, misuse or abuse of the equipment, use of non-compatible chemicals, or damage to property, or loss of income due to malfunctions of the product.

If a difficulty develops with this machine, you should contact the dealer from whom it was purchased.

This warranty gives you specific legal rights, and you may have other rights which vary from state to state. Some states do not allow the exclusion or limitation of special, incidental or consequential damages, or limitations on how long an implied warranty lasts, so the above exclusions and limitations may not apply to you.

**Cord Electric Group**..... Three years parts, two years labor, ninety days travel (Not to exceed two hours)

**Exceptions**..... Port-A-Scrub, one year parts, six months labor  
MPV 13, one year parts  
V Series Upright Vacuums, One year parts, one year labor  
MPV 14 and 18, two years parts, one year labor  
RapidAir blower, one year parts, one year labor  
Explosion-Proof Vacuum, one year parts, one year labor  
X12 and X12H, one year parts, one year labor  
TRS 14, one year parts, one year labor  
E17/E20 electric scrubbers, one year parts, six months labor

**Battery Operated Group**..... Three years parts, two years labor, ninety days travel  
(Not to exceed two hours)

**Exceptions** ..... Sweepers, one year parts, one year labor, ninety days travel  
(Not to exceed two hours)

**Internal Combustion Group**....One year parts, one year labor, ninety day travel  
(Not to exceed two hours)

**Exceptions** .....Mirage propane burnisher, one year parts, one year labor

**Battery Chargers**.....One year replacement

**Replacement Parts**.....Ninety days

**Batteries**.....0-3 months replacement, 4-12 months pro-rate

**Polypropylene Plastic Tanks**... Ten years, no additional labor