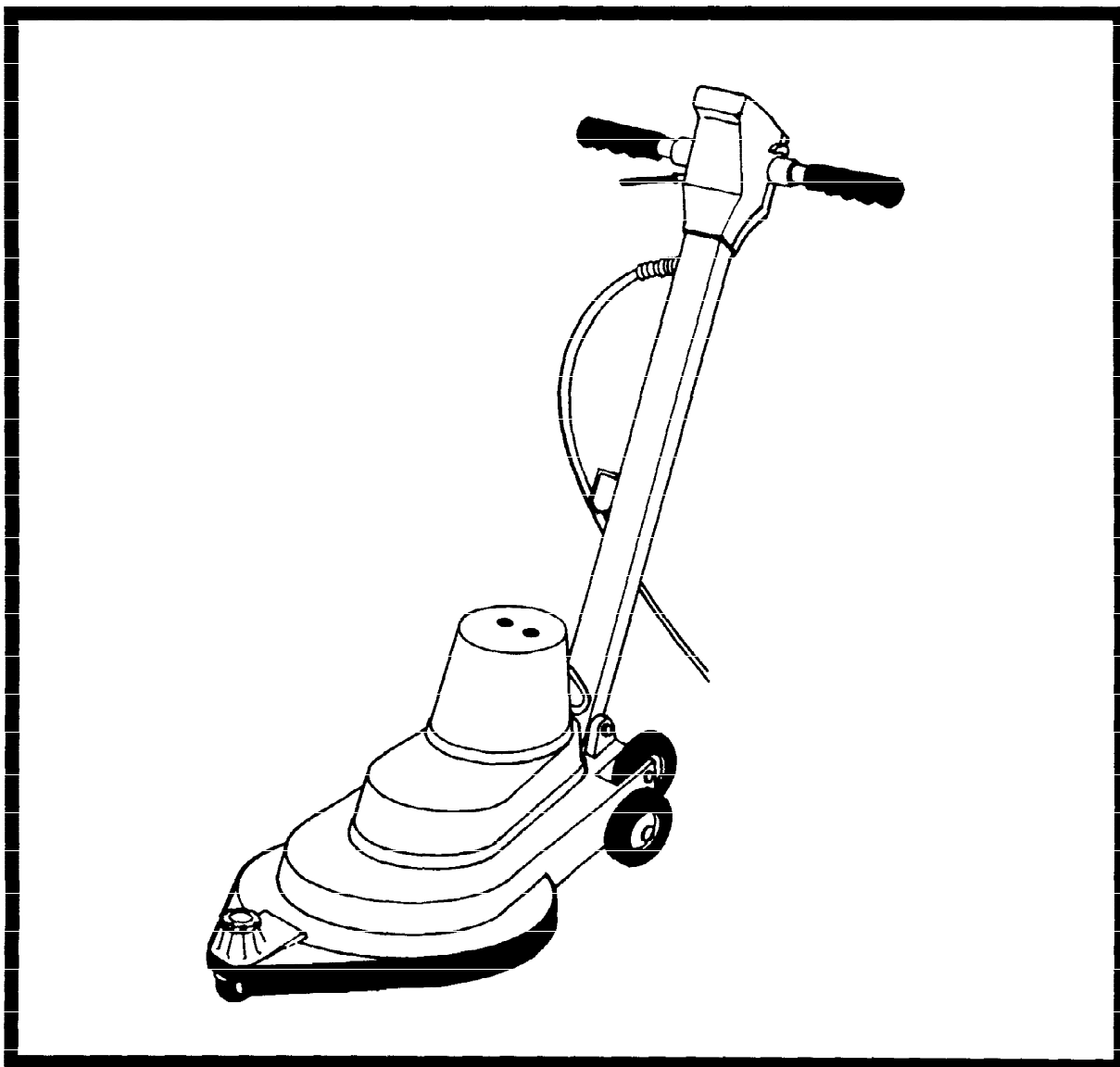


# 2000 Electric Burnisher

Model: M2000-00, 01

■ OPERATION ■ SERVICE ■ PARTS ■ CARE



Revised 5/93

**Minuteman**<sup>®</sup>

## **FOR COMMERCIAL USE ONLY**

### **IMPORTANT SAFETY INSTRUCTIONS**

When using an electrical appliance, basic precautions should always be followed, including the following:

#### **READ ALL INSTRUCTIONS BEFORE USING**

#### **WARNING - To reduce the risk of fire, electric shock, or injury:**

- Do not leave appliance when plugged in. Unplug from outlet when not in use and before servicing.

#### **WARNING**

To reduce the risk of electric shock - Do not expose to rain. Store indoors.

- Do not allow to be used as a toy. Close attention is necessary when used by or near children.
- Use only as described in this manual. Use only manufacturer's recommended attachments.
- Do not use with damaged cord or plug. If appliance is not working as it should, has been dropped, damaged, left outdoors, or dropped into water, return it to a service center.
- Do not pull or carry by cord, use cord as a handle, close a door on cord, or pull cord around sharp edges or corners. Do not run appliance over cord. Keep cord away from heated surfaces.
- Do not unplug by pulling on cord. To unplug, grasp the plug, not the cord.
- Do not handle plug or appliance with wet hands.
- Do not put any object into openings. Do not use with any opening blocked; keep free of dust, lint, hair, and anything that may reduce air flow.
- Keep hair, loose clothing, fingers, and all parts of body away from openings and moving parts.
- Do not pick up anything that is burning or smoking, such as cigarettes, matches, or hot ashes.
- Do not use without dust-bag and/or filters in place.
- Turn off all controls before unplugging.
- Use extra care when cleaning on stairs.
- Do not use to pick up flammable or combustible liquids such as gasoline or use in areas where they may be present.
- Connect to a properly grounded outlet only. See grounding instructions.

#### **SAVE THESE INSTRUCTIONS**

## OPERATING INSTRUCTIONS

### INSPECTION

Carefully unpack and inspect your floor machine for shipping damage. Each unit is tested and thoroughly inspected before shipment, and any damage is the responsibility of the delivery carrier who should be notified immediately.

### WARNING

- Read Instruction Manual before operating this piece of equipment.
- To reduce the risk of fire use only commercially available floor cleaners and waxes intended for machine application.
- Risk of explosion. Floor sanding can result in an explosive mixture of fine dust and air. Use floor sanding machine in well ventilated area.
- Electrical motors and components can cause an explosion when operated near volatile materials and vapors.

### ELECTRICAL - 115 Volt

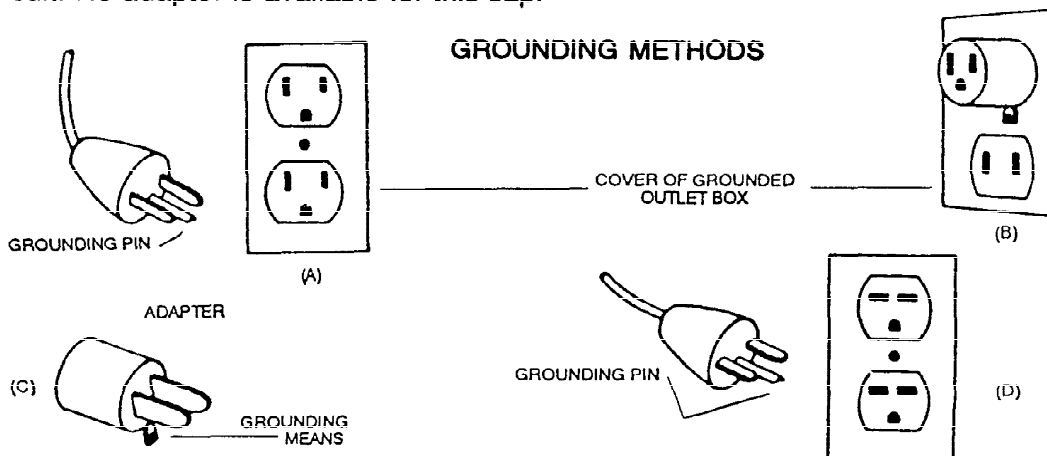
This machine is designed to operate on a standard 15 amp, 115 volt, 60 hz, AC circuit. Voltages below 105 volts AC or above 125 volts AC could cause serious damage to the motor.

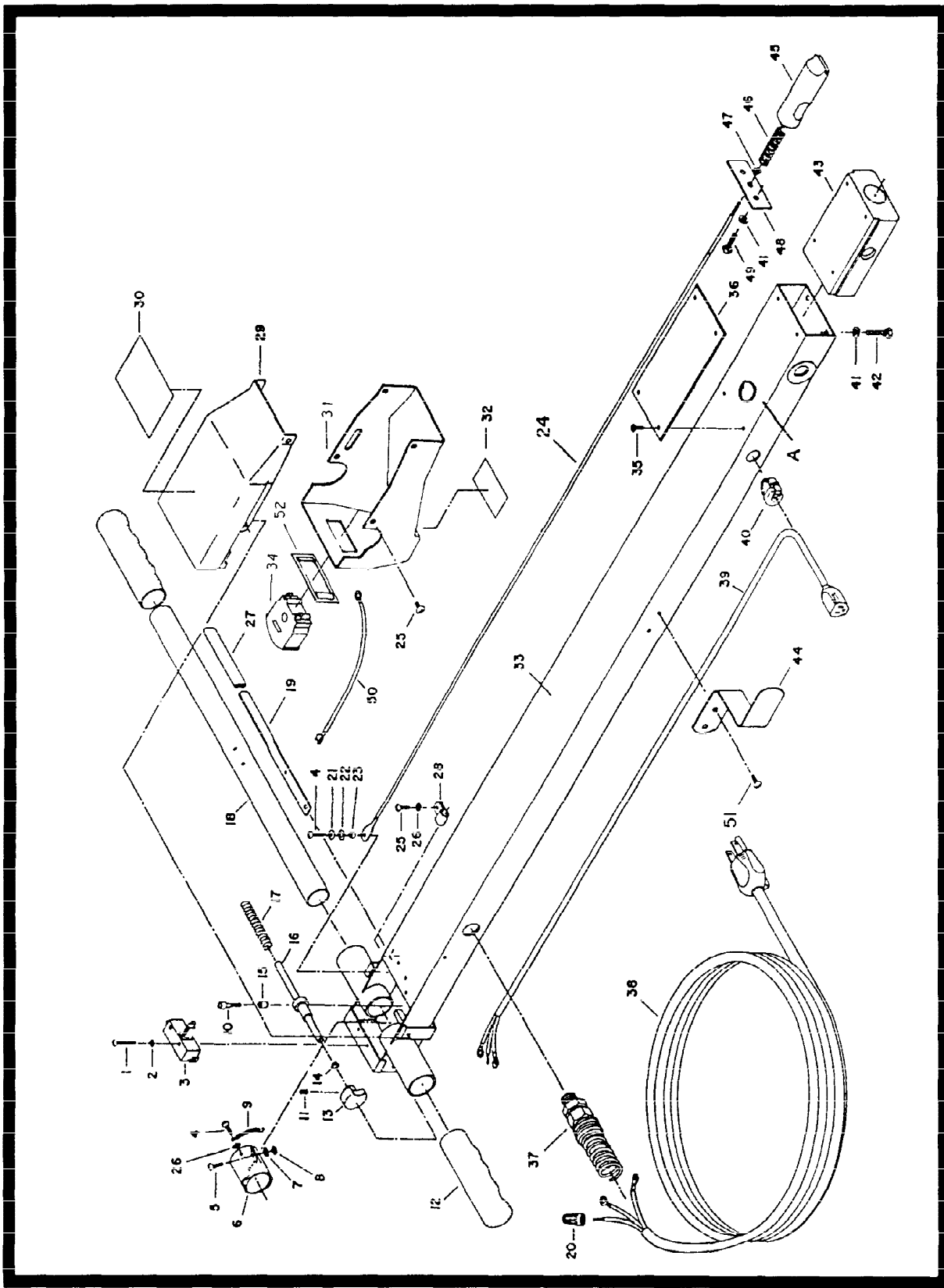
### ELECTRICAL - 240 Volt

This machine is designed to operate on a standard 10 amp, 230 volt, 50 hz, AC circuit.

### GROUNDING INSTRUCTIONS

- This floor finishing machine should be grounded while in use to protect the operator from electric shock. The machine is equipped with a three-conductor cord and a three-prong grounding type attachment plug to fit the proper grounding type receptacle. The green (or green and yellow) conductor in the cord is the grounding wire. Never connect this wire to other than the grounding blade.
- Floor Finishing Machines Rated Less Than 150 Volts - If the machine is provided with an attachment plug as shown in Sketch A it is intended for use on a 120-volt (nominal) circuit. If a properly grounded receptacle as shown in Sketch A is not available, an adapter as shown in Sketch C is available and should be installed as shown in Sketch B if the outlet box that houses the receptacle is grounded. Be sure to fasten the grounding tab with the faceplate screw.
- Floor Finishing Machines Rated 150-250 Volts - If the machine is provided with an attachment plug as shown in Sketch D, it is intended for use on a 240 volt (nominal) circuit. No adapter is available for this cap.





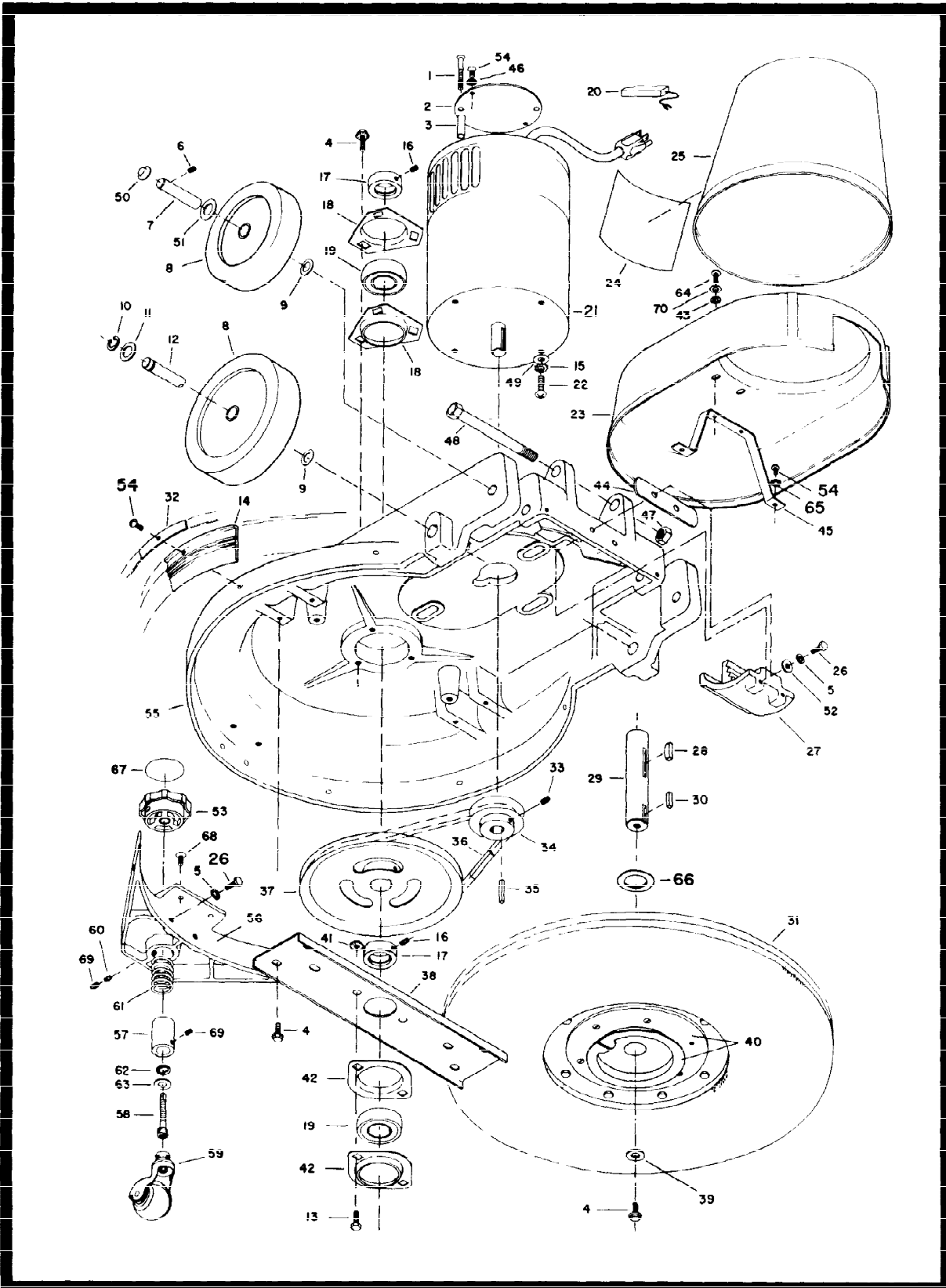
## Handle Assembly M2000

Item	Part No.	Qty.	Description	Item	Part No.	Qty.	Description
1	710207	2	SCR-MC 6-32 x .87 ST PL	29	762126	1	Cover, SW Box Rear
2	711551	2	WSR, Intri. Tooth LOC #6	30	715000	1	Decal, Warning 2.50 x 3.50
3	762100	1	Switch	31	760290	1	Cover, Front ABS (M2000)
4	710356	3	MCR-MC 10-32 x .62 ST PL	32	750580	1	Decal, Logo
5	710556	1	SCR-MC 10-32 x .75 ST PL	33	832552	1	Handle Tube Weldment
6	762128	1	Lock	34	832819	1	Gauge Pad Pressure 0-25 115V
7	711553	1	WSR, Internal Lock #10	34A	832819	1	Gauge 0-15 240V
8	711310	1	Hex-Nut 10-32 ST PL	35	711105	4	SCR-ST-A 10 x .50 NI
9	762084	1	Spring	36	762113	1	Stair Glide
10	712041	1	BLT, SDER 1/4-20 x .56 x .37	37	150003	1	Relief, Strain 100 x 50
11	711001	1	SCR, Set 8-32 x 1/8	38	150002	1	Cord Set 14-3 50'
12	762086	2	Grip, Handle	38A	740600	1	Cord Set, International
13	762129	1	Button	39	762156	1	Cord, Handle
14	762098	1	Bushing	40	740108	1	Strain Relief
15	762058	1	Spacer	41	711544	6	WSR, Helical SPR LOC 1/4
16	762143PLT	1	Pin, Switch LOC Zinc PLT	42	711203	4	BLT, HH 1/4-20 x .62
17	762103	1	Spring	43	762153	1	Guide, Handle Lock
18	762067	1	Tube, Handle	44	762182	1	Hook, Cord
19	762158PLT	1	Lever, Handle Release	45	762142PLT	1	Lock, Handle
20	740005	2	Cap, Wire 18-14 73B	46	762149	1	Spring
21	711503	1	WSR, Flat #10	47	762060	1	Bushing
22	711522	1	WSR, Wave 1/4	48	762159	1	Retainer
23	762059	1	Bushing	49	711202	2	Bolt, 1/4-20 x .50 ST PL
24	762119	1	Cable	50	833018	1	Wire Assembly #14
25	711124	2	SCR-ST-B 10 x .37 NI	50A	740272	1	Wire Assembly #14
26	711543	2	WSR, Helical SPR LOC #10	51	711125	6	SCR-ST-B 10 x .50
27	762236	1	Grip, Lever	52	832618	1	Gauge Mount
28	381052	1	Retainer				

### ADJUSTING HANDLE ASSEMBLY

When the handle fails to respond to the tilt mechanism a simple adjustment is required.

- Note whether the handle lock (P/N 762142PLT) is engaging the handle segment (P/N 762154 NIC PLT) or not.
- Remove the handle from the machine.
- Remove the stair glide (P/N 762113) (36) from the back of the handle.
- Hold the handle release lever completely up.
- With a pair of pliers, hold the cable thru hole A to prevent it from turning, as you turn the handle lock (45) in or out.



## Base Assembly M2000

Item	Part No.	Qty.	Description	Item	Part No.	Qty.	Description
1	710565	2	SCR-MC 10-32 x 2.00 ST PL	36	760027	1	Belt, Drive (M2200)
2	762048	1	Adapter, Motor	37	762118	1	Pulley, Drive
3	762219	2	Spacer 1.62	38	762052	1	Bracket, Driver
4	712042	10	Bolt HH 5/16-18 x .62 SP	39	711507	1	WSR, FLT 3/8 Area
5	711544	8	WSR, Helical SPR LOC 1/4	40	762370	2	CTR, Device 2-Piece
6	711022	2	Screw, Set 1/4-20 .50	41	711379	2	Flanged, W122 Nut 5/16-18
7	762221PLT	2	Axle .50 x 3.50 Zinc PLT	42	762114	2	Flangette 2 Point
8	762056	4	Wheel 5-inch	43	711542	2	WSR, LOC #8
9	711524	6	WSR, Wave No. 26 ST PL	44	762259	1	Bracket Supoort
10	711713	2	Retaining Ring-E EXT .50	45	762242	1	Bracket, Cover
11	711594	2	WSR, FLT .56 x .88 x .03 NKL	46	711584	2	WSR, Finish #10
12	762217	1	Axle 18" Zinc Plated	47	711376	1	Nut-NLOC 1/2-13
13	711227	2	Bolt, 5/16-18 x 5/8	48	712012	1	BLT-HH 1/2-13 x 5 ST PL
14	760023	1	Skirt M2200	49	711515	4	Washer, FLT .44 x .87 x .07
15	711555	4	Washer, Lock 3/8 International	50	130032	2	Cap Retainer
16		2	SCR Set 1/4-28 x 5/16	51	711579	4	Washer, Flat 9/16 x 1.00
17		2	Collar, LOC (Not sold separately)	52	711505	4	WSR, Flat 1/4
18	762112	2	Flangette 3 Point	53	760034	1	Knob, Adjustment
19	762110	2	Bearing With LOC Collar	54	710355	4	SCR-MC 10-32 x .50 ST PL
20	762160	4	Brush, Carbon Replacement	55	760030	1	Housing, Brush 20" M2200
21	740205	1	Motor 1 1/2 H.P. DC REC	56	762003PTD	1	Casting, Wheel Assembly
21A	832779		Motor 1.5 H.P. 230 Volt	57	760017	1	Guide Pin
22	710996	4	SCR-SC 3/8-16 x 1.00 ST PL	58	712053MCH	1	Adjustment SCR
23	762124	1	Cover, Motor Lower	59	750077	1	Weldment Caster Assembly
24		1	Decal, Logo	60	711041	1	SCR, SK 1/4-20 x .25
25	762123	1	Cover, Motor Upper	61	760020	1	Spring
26	711207	6	BLT, HH 1/4-20 x 1.00	62	711703	1	Snap Ring Internal .62
27	762154PLT	1	Segment, Handle NIC PLT	63	762295	1	Bushing
28	762120	1	Key, Woodruff 1/4 x 3/4	64	710329		SCR-MC 8-32 x .50 ST PL
29	760029	1	Drive Shaft 303SS (M2200)	65	711543	2	WSR, Helical SPR LOC #10
30	760043	1	Key, .187 SQ x .675 L	66	711526	2	WSR, Wave 1.05 ID x 1.351
31	750076	1	Pad Driver Assembly (M2200)	67	715038	1	Decal, Pad Pressure
32	760024	1	Retainer Skirt	68	710477	2	SCR-MC 1/4-20 x .5
33		1	SCR, Set 1/4-20 x 5/16 KP	69	711012	1	SCR, Set 1/4-20 x .19
34	760028	1	Pulley, MTR 4" OD x .62 ID	70	711502	2	WSR, Flat #8
35		1	Key, .187 SQ x 1"				

## LIMITED WARRANTY

Minuteman International, Inc. warrants to the original purchaser/user that this product is free from defects in workmanship and materials under normal use and service for a period of three years from date of purchase. In addition, Minuteman International, Inc. will, at its option, honor labor warranty claims for the first 12 months from date of sale, provided such claims are submitted through and approved by factory authorized repair stations. Minuteman International, Inc. will, at its option, repair or replace without charge, except for transportation costs, parts that fail under normal use and service when operated and maintained in accordance with the applicable operation and instruction manuals.

This warranty does not apply to normal wear, or to items whose life is dependent on their use and care, such as belts, cords, switches, hoses, rubber parts, electrical motor components or adjustments. Parts not manufactured by Minuteman International, Inc. such as engines, batteries, battery chargers, hydraulic pumps, and tires are covered by and subject to the warranties and/or guarantees of their manufacturers. Please contact Minuteman International, Inc. for procedures in warranty claims against these manufacturers.

**Special warning to purchaser** -- Use of replacement filters and/or prefilters not manufactured by Minuteman International, Inc. or its designated licensees, will void all warranties expressed or implied.

A potential health hazard exists without exact original equipment replacement.

All warranted items become the sole property of Minuteman International, Inc. or its original manufacturer, whichever the case may be.

Minuteman International, Inc. disclaims any implied warranty, including the warranty of merchantability and the warranty of fitness for a particular purpose. Minuteman International, Inc. assumes no responsibility for any special, incidental or consequential damages.

This limited warranty is applicable only in the U.S.A. and Canada, and is extended only to the original user/purchaser of this product. Customers outside the U.S.A. and Canada should contact their local distributor for export warranty policies. Minuteman International, Inc. is not responsible for costs or repairs performed by persons other than those specifically authorized by Minuteman International, Inc. This warranty does not apply to damage from transportation, alterations by unauthorized persons, misuse or abuse of the equipment, use of non-compatible chemicals, or damage to property, or loss of income due to malfunctions of the product.

If a difficulty develops with this machine, you should contact the dealer from whom it was purchased.

This warranty gives you specific legal rights, and you may have other rights which vary from state to state. Some states do not allow the exclusion or limitation of special, incidental or consequential damages, or limitations on how long an implied warranty lasts, so the above exclusions and limitations may not apply to you.

# ***Minuteman***<sup>®</sup>

**World Headquarters**  
Minuteman International, Inc.  
111 South Rohwing Road  
Addison, Illinois 60101

(708) 627-6900  
FAX (708) 627-1130

Minuteman Canada, Inc.  
84-E Brunswick Blvd.  
DoiIard des Ormeaux  
Quebec H9B 2C5

(514) 683-3880  
FAX (514) 683-0809

986704  
Printed in U.S.A.