

**Minuteman<sup>®</sup>**  
Excellence Meets Clean



**Parts and Instruction Manual  
X-839 Critical Filter Vacuum  
4 & 6 Gallon**

This manual is furnished with each new **MINUTEMAN X-839**. This provides the necessary operating and preventive maintenance instructions. Operators must read and understand this manual before operating or servicing this machine.

This machine was designed to give you excellent performance and efficiency. For best results and minimal cost, please follow the general guidelines below:

- Operate the machine with reasonable care.
- Follow the manufacturers suggested maintenance instructions as provided in this booklet.
- Use original Minuteman supplied parts.

**Model**

**X-839**

	<b>Stainless Steel</b>	<b>Stainless Steel</b>
Model No.	C80104-01 (115V) C80104-02 (230V)	C80106-01 (115V) C80106-02 (230V)
	<b>Painted</b>	<b>Painted</b>
	C80104-03 (115V) C80104-04 (230V)	C80106-03 (115V) C80106-04 (230V)
Tank Size	4 Gal (15 liter)	6 Gal (22 liter)
Dry Capacity	.21 cu. ft (.005m <sup>3</sup> )	.62 cu. ft (.018m <sup>3</sup> )
Power	1 HP	1 HP
Air Flow	95 CFM (2.7 m <sup>3</sup> /min)	95 CFM (2.7 m <sup>3</sup> /min)
Static Lift	85" (2159 mm)	85" (2159 mm)

# Table of Contents

<b>IMPORTANT SAFETY INSTRUCTIONS</b> .....	<b>1</b>
<b>Inspection</b> .....	<b>2</b>
<b>Electrical</b> .....	<b>2</b>
<b>Grounding Instructions</b> .....	<b>2</b>
<b>Cord Storage</b> .....	<b>3</b>
<b>Operation and Filter Care Instructions When Used for Asbestos Dust Recovery</b> .....	<b>3</b>
<b>Cloth Bag &amp; Hose Assembly</b> .....	<b>3</b>
<b>User Maintenance Instructions</b> .....	<b>3</b>
<b>Procedure for Removing Contaminated Filters/Cleaning Contaminated Tank</b> .....	<b>4</b>
<b>Changing the Prefilter</b> .....	<b>4</b>
<b>Exploded Views</b> .....	<b>5</b>
Lid Assembly .....	5
Lid Assembly BOM .....	6
Tank Assembly .....	7
Tank Assembly BOM .....	8
Bag Assembly .....	9
<b>Tools and Accessories</b> .....	<b>10</b>
<b>Minuteman International Made Simple Commercial Limited Warranty</b> .....	<b>11</b>

## **IMPORTANT SAFETY INSTRUCTIONS**

When using an electrical appliance, basic precautions should always be followed, including the following:

### **READ ALL INSTRUCTIONS BEFORE USING**

#### **WARNING - To reduce the risk of fire, electric shock, or injury:**

- Do not leave appliance when plugged in. Unplug from outlet when not in use and before servicing.

#### **WARNING**

To reduce the risk of electric shock - Do not expose to rain. Store indoors.

- Do not allow to be used as a toy. Close attention is necessary when used by or near children.
- Use only as described in this manual. Use only manufacturer's recommended attachments.
- Do not use with damaged cord or plug. If appliance is not working as it should, has been dropped, damaged, left outdoors, or dropped into water, return it to a service center.
- Do not pull or carry by cord, use cord as a handle, close a door on cord, or pull cord around sharp edges or corners. Do not run appliance over cord. Keep cord away from heated surfaces.
- Do not unplug by pulling on cord. To unplug, grasp the plug, not the cord.
- Do not handle plug or appliance with wet hands.
- Do not put any object into openings. Do not use with any opening blocked; keep free of dust, lint, hair, and anything that may reduce airflow.
- Keep hair, loose clothing, fingers, and all parts of body away from openings and moving parts.
- Do not pick up anything that is burning or smoking, such as cigarettes, matches, or hot ashes.
- Do not use without dust bag and/or filters in place.
- Turn off all controls before unplugging.
- Use extra care when cleaning on stairs.
- Do not use to pick up flammable or combustible liquids such as gasoline or use in areas they may be present.
- Connect to a properly grounded outlet only. See grounding instructions.

### **SAVE THESE INSTRUCTIONS**

# OPERATING INSTRUCTIONS

## Inspection

Carefully unpack and inspect your machine for shipping damage. Each unit is tested and thoroughly inspected before shipment, and any damage is the responsibility of the delivery carrier who should be notified immediately.

## Electrical - 115V

This machine is designed to operate on a standard 15 amp, 115 volt, 60 hz, AC circuit. Voltages below 105 volts AC or above 125 volts AC could cause serious damage to the motor.

## Electrical - 230V

This machine is designed to operate on a standard 16 amp, type L fused 230 volt, 50 hz, AC circuit. Voltages below 200 volts AC or above 250 volts AC could cause serious damage to the motor. I.E.C. Class 1.

## WARNING

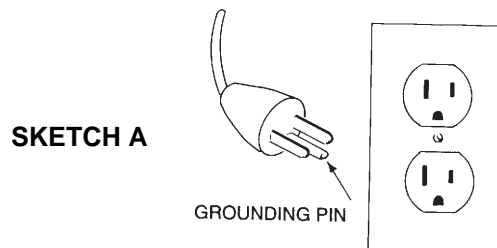
Electric motors can cause explosions when operated near explosive materials or vapors. Do not operate this machine near flammable materials such as solvents, thinners, fuels, grain dust, etc.

## Grounding Instructions

This appliance must be grounded. If it should malfunction or breakdown, grounding provides a path of least resistance for electric current to reduce the risk of electric shock. This appliance is equipped with a cord having an equipment-grounding conductor and grounding plug. The plug must be plugged into an appropriate outlet that is properly installed and grounded in accordance with all local codes and ordinances.

**DANGER** - Improper connection of the equipment-grounding conductor can result in a risk of electric shock. Check with a qualified electrician or service person if you are in doubt as to whether the outlet is properly grounded. Do not modify the plug provided with the appliance — if it will not fit the outlet, have a proper outlet installed by a qualified electrician.

This appliance is for use on a nominal 120-volt circuit and has a grounding plug that looks like the plug illustrated in sketch A below. Make sure that the appliance is connected to an outlet having the same configuration as the plug. No adapter should be used with this appliance.



## User Maintenance Instructions

All service and repair should be performed by a qualified vacuum service representative or electrician. No user serviceable components are employed in the electrical vacuum lid head assembly. No lubrication of the motor is required.

### Cloth Bag & Hose Assembly

Cloth bag and hose assy. are user maintenance items and can be replaced when worn out. Cloth bags can be maintained by blowing dust off of the bag and then laundered. Cloth bags should be completely dried before re-installing into machine. For optimum performance, empty and clean filter bag regularly. A clogged and dirty bag restricts the flow of air and results in reduced vacuum. The Hose Assy. can be maintained by wiping off with a dampened cloth of mild liquid soap and water, then allowed to dry.

### Cord Storage

While not in use storage can be accomplished by winding cord around motor lid assy. Cord should be completely unwound from Lid Assy. during operation.

- Do not use with damaged cord or plug. If appliance is not working as it should, has been dropped, damaged, left outdoors, or dropped into water, return to service center.
- Do not pull or carry by cord, use cord as handle, close a door on cord, or pull cord around sharp edges or corners. Do not run appliance over cord. Keep cord away from heated surfaces.
- Do not unplug by pulling cord. To unplug, grasp the plug, not the cord.
- Do not handle plug or appliance with wet hands.
- Always unplug the machine when removing the head off the tank. This equipment should be stored indoors and not exposed to rain.

### Operation and Filter Care Instructions When Used for Asbestos Dust Recover (X-839-6)

The Minuteman Asbestos Vacuum has been specifically designed to clean up fibrous asbestos and asbestos dust of all types. Special filters reduce the incidence of airborne dust that would be created by any other method of cleaning.

During the removal of asbestos dust, do not sweep, scoop, shovel, or in any manner handle other than by vacuuming.

Do not at any time attempt to bypass, remove, substitute or by any other means change the filter bags used in this vacuum. Use only approved Minuteman Asbestos Vacuum filters and filter bags.

Before attempting to use and before cleaning, be certain that you fully understand the instructions given for the setting up or cleaning/changing of filters of this vacuum.

Since each facility has its own individual and unique cleaning problems, it is suggested that you use the following guidelines in determining the length of time between filter changes.

In light cleaning situations (i.e. dust in brake drums and truing of brake shoes) change filters once a day unless you have determined by checking that a shorter or longer period of time would be necessary to meet 5 to 10 pounds of material.

### TANK/FILTER SET-UP PROCEDURE

1. Take the paper bag that has the cardboard collar attached and open it up by gently pulling the folds apart.
2. You will notice two creases on the top side of the collar; carefully bend the ends down (toward) the bag.
3. Insert this bag into the tank and push it to the bottom.
4. Locate the cardboard collar around the intake tube and gently work it up past the raised ring that runs around the tube.

5. Take the paper filter protector bag and insert it into the tank and snap the elastic band around the rim of the tank. ( About 2 inches of the bag should be outside of the tank.)
6. Place the cloth filter bag onto and into the tank.
7. Place the formed wire basket into the the cloth bag with wire ring toward the bottom of the tank.
8. Position the lid onto the tank.
9. Snap the lid latches into place.

For proper cleaning of tank and removal/changing of filters, see "Procedure for Removing Contaminated Filters and for Cleaning of Contaminated Tank."

### **Procedure for Removing Contaminated Filters and for Cleaning of Contaminated Tank**

For the benefit of your health, you should always wear a face mask approved for use with asbestos any time you are using or cleaning this vacuum cleaner. You should also wear gloves.

1. Unplug machine from power source.
2. Carefully and slowly remove lid only (be sure you have not accidentally lifted the cloth filter bag at the same time). Set the lid/ filter assembly aside.
3. Gently tap the inside of the cloth bag to loosen any particles that may be on the opposite surface. Do this all around the inside surface of the bag.
4. Gently remove the cloth bag and set aside.
5. Carefully undo the elastic band from around the tank and push the entire bag "slowly" into the tank. Do not allow the elastic band to snap the bag closed.
6. Using a wiping cloth, dampened with water (not soaking wet), wipe down all of the exposed surfaces inside to the tank; put the cloth aside, do not discard.
7. Carefully and "very" slowly, push the paper bag down and off of the intake tube, using the attached cardboard collar. After the collar is removed from the intake tube, take the damp cloth and wipe off any surfaces that were not previously wiped; at this time, re-wipe the entire inside of the tank and drop the wiping cloth into the plastic bag.
8. CAUTION: Hazardous materials must be disposed of properly. Never throw contaminated debris in your usual trash receptacle. Place debris in a plastic bag or can marked "HAZARDOUS MATERIALS" and take to a hazardous waste handler.
9. For proper assembly of new filters, see "Tank/Filter Set-Up Procedure."

### **Changing The Prefilter**

The prefilter should be changed, using all of the precautions previously mentioned.

The prefilter should be changed when any of the following takes place:

1. Anytime there is an indication of a filter tear during normal operation of the unit. This tear could be in any of the filters used.
  - a. paper dust containment bag
  - b. paper bag protector
  - c. cloth filter bag

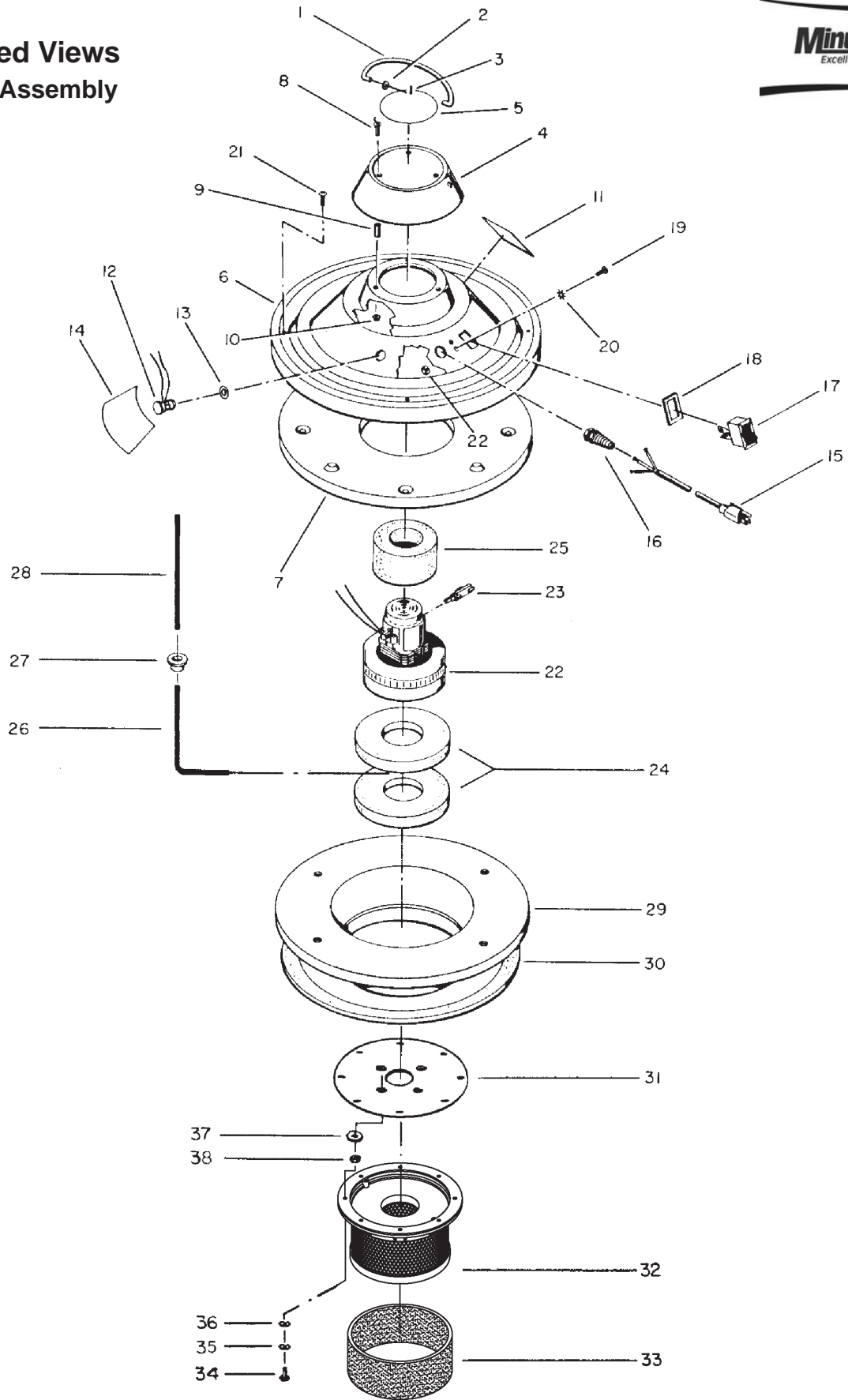
These tears would show up during the tank clean-out procedure, or....

2. Every other tank clean-out period.

To change the prefilter, do the following before you do Step #3 of the normal clean-out procedure.

- a. Wipe down all of the exposed surfaces on the underside of the removed lid, using the dampened wiping cloth (see Step #6).
- b. Remove the prefilter from the high efficiency filter. Be careful so as not to damage or puncture the paper media used in the final filter. Do not attempt to clean the pink impact filter in any way; dispose of by placing it into the tank you are now in the process of cleaning. **DO NOT USE ANY TOOLS TO REMOVE THE PREFILTER.**
- d. Before proceeding any further in cleaning the tank, first place a new prefilter (one only) onto the U.L.P.A. filter.
- e. You may now proceed with Step #3.

# Exploded Views Lid Assembly

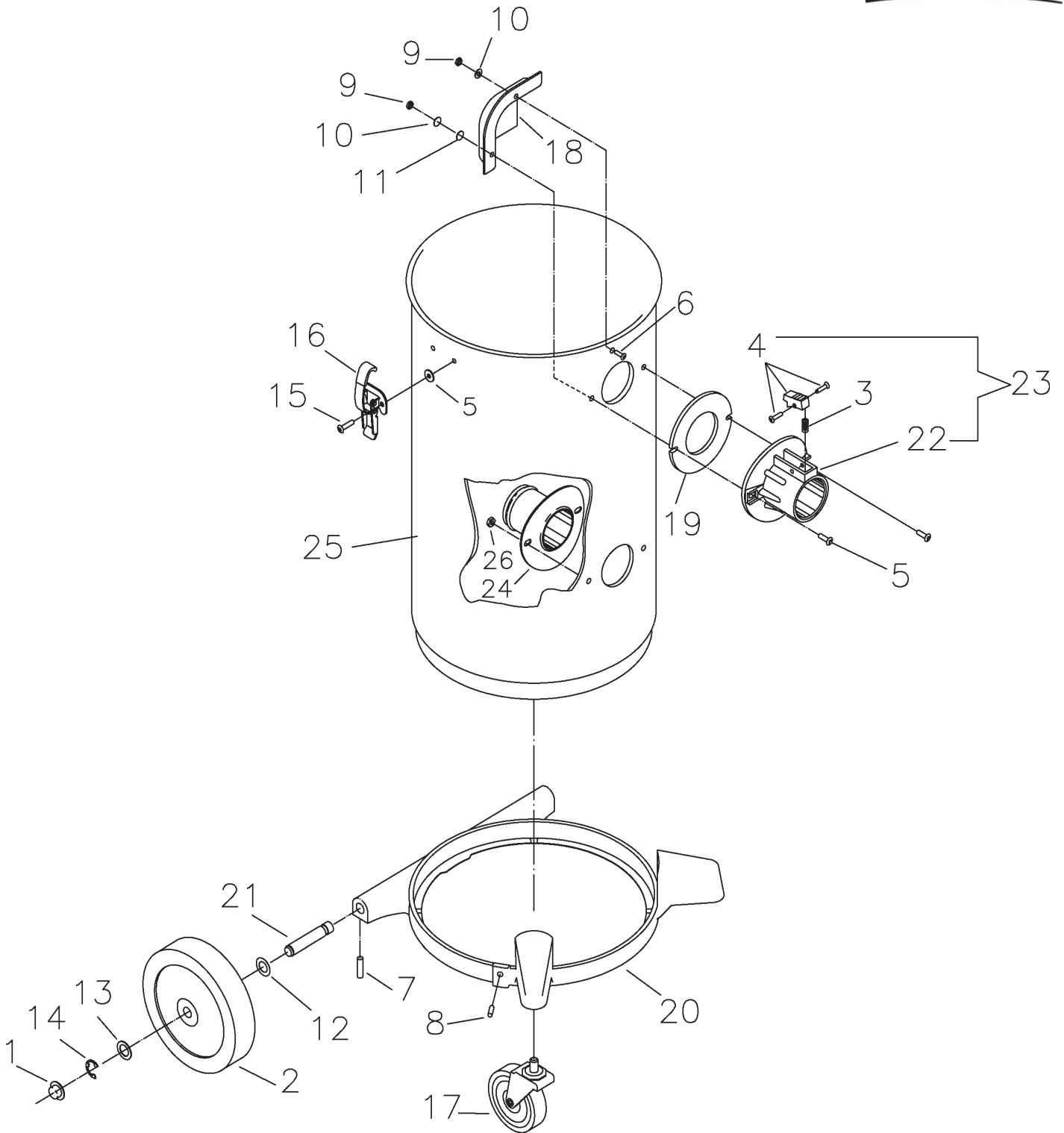




# Lid Assembly BOM

ITEM	PART NO.	QTY.	DESCRIPTION
1	827743	1	HANDLE
2	711505	2	WSR-FLT 1/4
3	711803	2	PIN-COTTER .06 X .75
4	831480	1	MOTOR CAP
5	715128	1	DECAL-COLOR BAR P85 HEPA
6	760243PLT	1	LID-MOTOR COVER PV6 PLATED
7	760242PLT	1	MOTOR HOLDDOWN P85 PLT
8	712823	3	SCR-THUMB 10-24 X 1 ZINC
9	831652	3	SPACER-.264 X .344 X .750 ALM
10	712908	3	NUT-FLANGED WIZZ 10-24
11	715115	1	DECAL-WARNING PV DRY
12	740088	1	SWITCH-VAC LIGHT SENSOR
13	711715	1	RETAINING RING-EXT .75
14	715069	1	DECAL-FILTERS CHECK
15	381020	1	CORD-16GA-3 50FT MED GREY (115V)
15A	740600	1	CORD-EUROPEAN F3 G1.5MM 50FT BLACK (240V)
16	833237	1	STRAIN RELIEF
17	809754	1	SWITCH-ROCKER
18	450088	1	SPACER-SWITCH, FOAM
19	710355	2	SCR-MC RD HD 10-32 X .50 ZINC
20	711553	3	WSR-INT LOCK #10
21	711126	4	SCR-ST-B 10 X .75
22	380001-4	1	MOTOR-VAC BYPASS 120V (ECM)
22A	380054	1	MOTOR-VAC 240V
23	380005	2	CARBON BRUSH REPLACEMENT (ECM)
23A	380028	2	BRUSH-CARBON REPLACEMENT
24	828995	2	GASKET-NEOP 2.5X6X.62
25	380064	1	RING, FOAM
26	760213	1	VENTURI TUBE
27	760904	1	BUSHING-SNUB .375 X .469 X .438 NYL
28	760212	1	VAC SENSOR TUBE
29	760248	1	LID-MOTOR W/STUDS
30	290031	1	LID GASKET 294/6 DIECUT
31	110012	1	PLATE, MOUNTING
32	110039	1	FILTER-ULPA, X839 SERIES
33	110030PKG	1	PREFILTER SLEEVE, 829/839, PKG OF 6
34	710329	8	SCR-MC 8-32 X .50 ZINC
35	711552	8	WSR-INT LOCK #8
36	711502	8	WSR-FLT #8
37	711519	4	WSR-FLT .25 X 1.01 X .06
38	711373	4	NUT-NYLOC 1/4-20
***	839685	1	LID ASY COMPLETE W/ULPA 115V
***	839686	1	LID ASY COMPLETE W/ULPA 230V

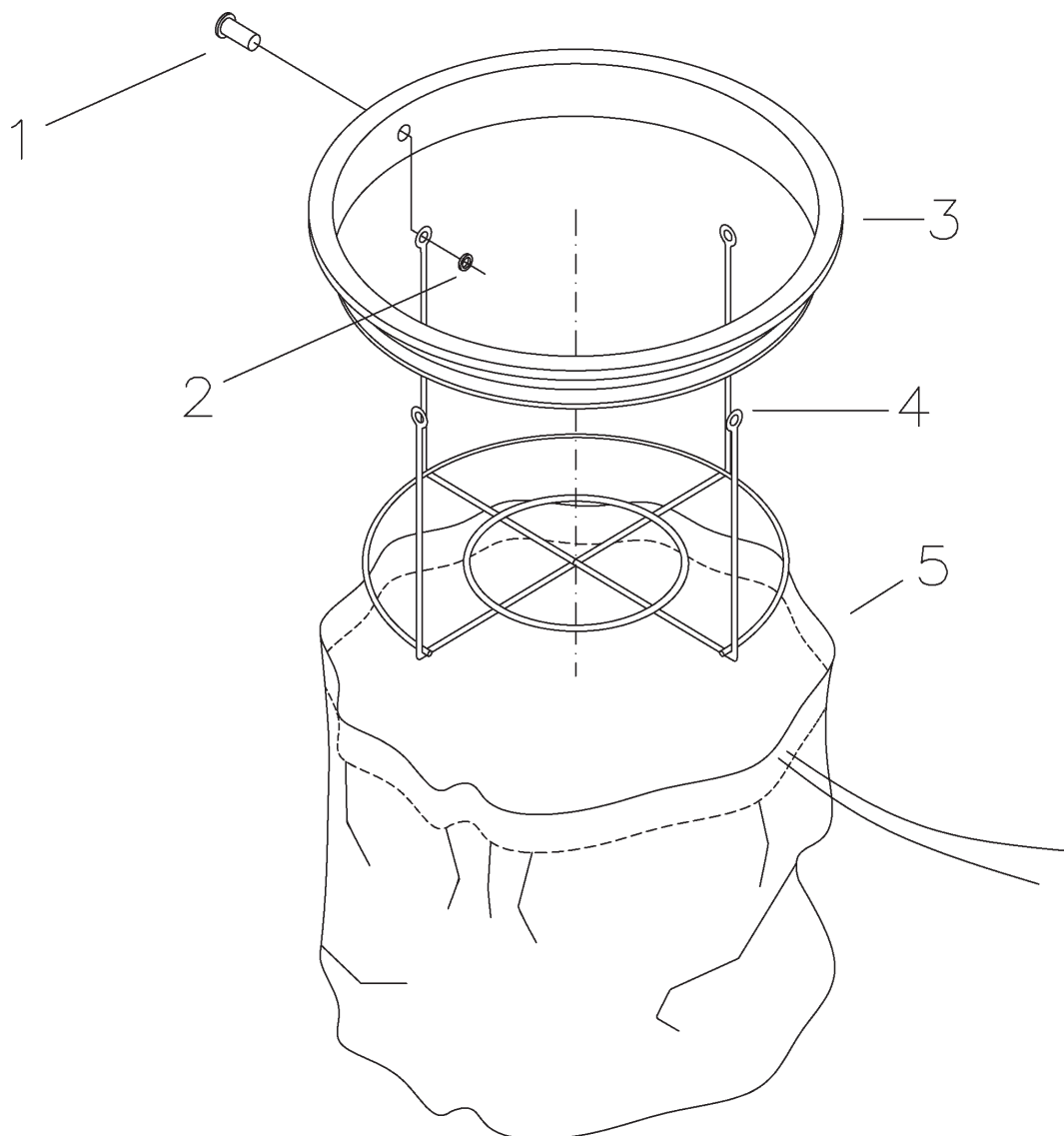
# Tank Assembly







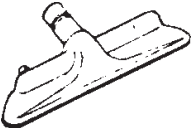





# Tank Assembly BOM

ITEM	PART NO.	QTY.	DESCRIPTION
1	130032	2	CAP, RETAINER
2	760083	2	WHEEL-6" 6-105 .5 ID
3	390002	1	SPRING-RETURN (390001)
4	390001	1	MLDED TRIGGER W/ 2 PINS
5	712824	2	SCR-MC 10-24 X .75 TRUSS HD STL ZINC
6	710530	1	SCR-MC 8-32 X .50 BRS
7	711005	4	SK 1/4-20 X .31
8	711006	3	SK 1/4-20 X .62
9	712638	4	NUT HEX 10-24 SS NYLOC
10	712764	3	WSR #10 SS
11	711503	4	WSR-FLT #10 (SPECIAL FLAT WASHER)
12	711524	2	WSR-WAVE .52 X .87 X .01
13	711594	2	WSR-FLT .56 X .88 X .03 NICKEL
14	711713	2	RET RING-E EXT .50
15	711915	4	RIVET-TUBE .19X.28 NI PL
16	761054	2	LATCH
17	280016	2	CASTER-3" W/ 3/8 X 5/8 STEM
18	900035	1	DEFLECTOR, INTAKE
19	390087	1	GASKET DIECUT VNN
20	900055PTD	1	BRKT-WHEEL ASSY
21	900066	2	AXLE
22	390101	1	INTAKE ALUMINUM
23	390110	1	INTAKE ASSEMBLY ALUMINUM
24	750118	1	INTAKE ASSY TUBE 4/6 GAL
25A	900107	1	TANK,4 GAL SS HI INTAKE
25B	900083	1	TANK 4 GAL PTD HI INTAKE
25C	900093	1	TANK 6 GAL SS LO/INTAKE
25D	900092	1	TANK 6 GAL PTD LO/INTAKE

## Bag Assembly



ITEM	PART NO.	QTY.	DESCRIPTION
1	711909	4	RIVET-POP .19 X .44 AL
2	712764	4	WSR #10 SS
3	760244MCH	1	PLASTIC BAG FRAME W/HOLE
4	760406PLT	1	BAG FRAME 6GAL PLATED
5	805040	1	BAG, CLOTH BAG ONLY 6G
***	800056	1	BAG ASY W/FRAME 6 GAL

		Part No.	Description
<b>A</b>		800083 804006	Dust Brush Complete 1-1/2" Dust Brush Complete 1-1/4"
<b>B</b>		800035 829562	12" Crev Tool Complete 1-1/2" 12" Crev Tool Complete 1-1/4"
<b>C</b>		761228	Wand Asy 1-1/2" Complete
<b>D</b>		800317 829849	Hose Assy. 1-1/2" x 10' Hose Assy. 1-1/4" x 10'
<b>E</b>		800603	14" Floor & Rug Tool
<b>F</b>		829564	5" Upholstery Tool 1-1/4"
<b>G</b>		384003PKG	Disposable Paper Replacement Filter Bags Package of 10
<b>H</b>		110030PKG	Pre-Filter Sleeve Package of 6
<b>I</b>		761177PKG	Disposable Paper Filter Protector Package of 10
<b>J</b>		808025 804008	Adapter 1-1/2" Adapter 1-1/4"

## Minuteman International Made Simple Commercial Limited Warranty

Minuteman International, Inc. warrants to the original purchaser/user that the product is free from defects in workmanship and materials under normal use. Minuteman will, at its option, repair or replace without charge, parts that fail under normal use and service when operated and maintained in accordance with the applicable operation and instruction manuals. All warranty claims must be submitted through and approved by factory authorized repair stations.

This warranty does not apply to normal wear, or to items whose life is dependent on their use and care, such as belts, cords, switches, hoses, rubber parts, electrical motor components or adjustments. Parts not manufactured by Minuteman are covered by and subject to the warranties and/or guarantees of their manufacturers. Please contact Minuteman for procedures in warranty claims against these manufacturers.

**Special warning to purchaser** -- Use of replacement filters and/or prefilters not manufactured by Minuteman or its designated licensees, will void all warranties expressed or implied. A potential health hazard exists without original equipment replacement.

All warranted items become the sole property of Minuteman or its original manufacturer, whichever the case may be.

Minuteman disclaims any implied warranty, including the warranty of merchantability and the warranty of fitness for a particular purpose. Minuteman assumes no responsibility for any special, incidental or consequential damages.

This limited warranty is applicable only in the U.S.A. and Canada, and is extended only to the original user/purchaser of this product. Customers outside the U.S.A. and Canada should contact their local distributor for export warranty policies. Minuteman is not responsible for costs or repairs performed by persons other than those specifically authorized by Minuteman. This warranty does not apply to damage from transportation, alterations by unauthorized persons, misuse or abuse of the equipment, use of non-compatible chemicals, or damage to property, or loss of income due to malfunctions of the product.

If a difficulty develops with this machine, you should contact the dealer from whom it was purchased.

This warranty gives you specific legal rights, and you may have other rights which vary from state to state. Some states do not allow the exclusion or limitation of special, incidental or consequential damages, or limitations on how long an implied warranty lasts, so the above exclusions and limitations may not apply to you.

**Cord Electric Group**..... Three years parts, two years labor, ninety days travel (Not to exceed two hours)  
**Exceptions**..... Port-A-Scrub, one year parts, six months labor  
MPV 13, one year parts  
MPV 14 and 18, two years parts, one year labor  
RapidAir blower, one year parts, one year labor  
Explosion-Proof Vacuum, one year parts, one year labor  
Pneumatic Vacuums, three years parts, one year labor  
EX 12 and EX12H, one year parts, one year labor

**Battery Operated Group**..... Three years parts, two years labor, ninety days travel  
(Not to exceed two hours)  
**Exceptions**..... Sweepers, one year parts, one year labor, ninety days travel  
(Not to exceed two hours)

**Internal Combustion Group**....One year parts, one year labor, ninety day travel  
(Not to exceed two hours)

**Replacement Parts**.....Ninety days  
**Batteries**.....0-3 months replacement, 4-12 months pro-rate  
**Polypropylene Plastic Tanks**...Ten years, no additional labor