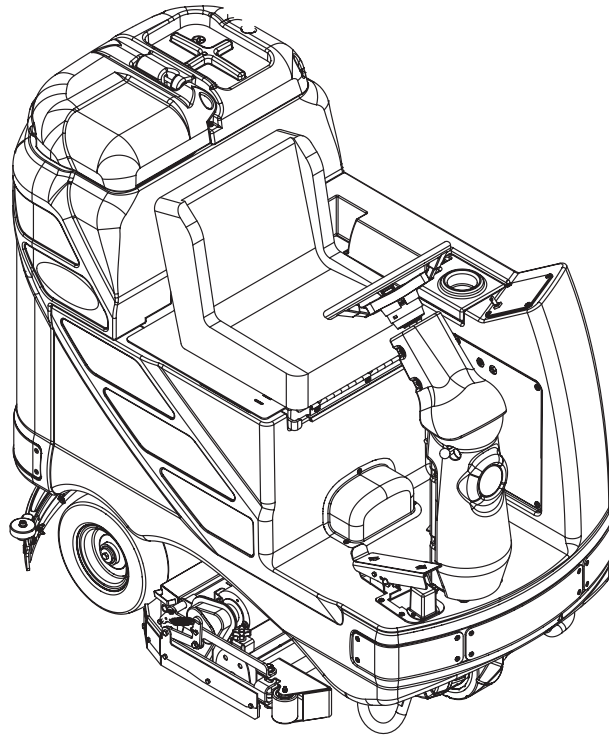


Adgressor™

BR 850S, 850CS, 950S, 950CS

BR 1050S, 1050CS



SERVICE MANUAL

Advance MODELS 56314661(2820D), 56314662(3220D), 56314663(2820C), 56314664(3220C)
56314826(3520D), 56314827(3820D), 56314828(3520C), 56314829(3820C)
Nilfisk MODELS 56314674(850S), 56314675(850CS), 56314830(950S), 56314831(1050S),
56314832(950CS), 56314833(1050CS)



**Nilfisk
Advance**

setting standards

10/04 revised 10/06 FORM NO. 56043097

TABLE OF CONTENTS

| | |
|--|-------|
| GENERAL INFORMATION | 2 |
| SAFETY INSTRUCTIONS | 3 |
| SPECIFICATIONS & MAINTENANCE | 4-6 |
| PM CHECKLIST | 7-8 |
| KNOW YOUR MACHINE | 9-15 |
| STEERING SYSTEM..... | 16-17 |
| STEERING COLUMN ASSEMBLY SHROUD REMOVAL | 16 |
| STEERING CHAIN REMOVAL AND TENSIONING | 17 |
| WHEEL DRIVE SYSTEM..... | 18-27 |
| GENERAL FUNCTIONAL OVERVIEW..... | 18 |
| DRIVE MOTOR SYSTEM CONTROLLER FUNCTION OVERVIEW | 18 |
| WHEEL DRIVE TROUBLESHOOTING GUIDE | 21 |
| STEERING SPINDLE & WHEEL DRIVE MOTOR ASSEMBLY REMOVAL..... | 22 |
| DRIVE TIRE REMOVAL..... | 22 |
| BRAKE ADJUSTMENT..... | 24 |
| DRIVE WHEEL BRAKE STRAP REPLACEMENT | 25 |
| WHEEL DRIVE MOTOR CARBON BRUSH INSPECTION..... | 25 |
| POTENTIOMETER REMOVAL & TESTING..... | 26 |
| POTENTIOMETER INSTALLATION & ADJUSTMENT..... | 27 |
| DRIVE PEDAL NEUTRAL ADJUSTMENT..... | 27 |
| SCRUB BRUSH SYSTEM..... | 28-35 |
| FUNCTIONAL OVERVIEW..... | 28 |
| SCRUB BRUSH SYSTEM TROUBLESHOOTING..... | 29 |
| SCRUB BRUSH DECK REMOVAL (DISC & CYLINDRICAL)..... | 30 |
| SCRUB BRUSH MOTOR ASSEMBLY REMOVAL (DISC)..... | 31 |
| SCRUB BRUSH GEARBOX REMOVAL AND OUTPUT SHAFT REPLACEMENT (DISC)..... | 31 |
| SCRUB BRUSH SIDE SKIRT REPLACEMENT (DISC)..... | 32 |
| SIDE SKIRT HEIGHT ADJUSTMENT (DISC)..... | 32 |
| SCRUB BRUSH FRONT/REAR SKIRT REPLACEMENT (DISC)..... | 32 |
| BRUSH DECK ACTUATOR REMOVAL (DISC & CYLINDRICAL)..... | 33 |
| SCRUB BRUSH MOTOR REMOVAL (CYLINDRICAL)..... | 34 |
| SCRUB BRUSH BELT REPLACEMENT (CYLINDRICAL)..... | 34 |
| SCRUB BRUSH SYSTEM MAINTENANCE..... | 34 |
| SCRUB BRUSH REMOVAL AND INSTALLATION (CYLINDRICAL)..... | 35 |
| SIDE SKIRT MAINTENANCE & ADJUSTMENT (CYLINDRICAL)..... | 35 |
| CORRECT SCRUB MOTOR WIRING CONNECTIONS | 36 |
| CORRECT BRUSH ROTATION DIRECTIONS | 37 |
| SOLUTION SYSTEM..... | 38-41 |
| FUNCTIONAL OVERVIEW..... | 38 |
| SOLUTION SOLENOID CIRCUIT OVERVIEW..... | 39 |
| TROUBLESHOOTING GUIDE | 40 |
| SOLUTION SYSTEM MAINTENANCE..... | 40 |
| SOLUTION SOLENOID REMOVAL..... | 40 |
| SOLENOID VALVE DISASSEMBLY AND CLEANING | 41 |
| RECOVERY SYSTEM..... | 42-45 |
| FUNCTIONAL OVERVIEW..... | 42 |
| VACUUM MOTOR CIRCUIT OVERVIEW | 43 |
| TROUBLESHOOTING GUIDE | 44 |
| VACUUM / RECOVERY SYSTEM SERVICE MAINTENANCE CHECKLIST..... | 44 |
| MAINTENANCE OF VACUUM FILTER AND FLOAT CAGE..... | 44 |
| RECOVERY TANK REMOVAL | 45 |
| VACUUM MOTOR REMOVAL..... | 45 |
| SQUEEGEE SYSTEM..... | 46-48 |
| SQUEEGEE SYSTEM LIFT MOTOR OVERVIEW | 46 |
| TROUBLESHOOTING..... | 46 |
| SQUEEGEE LIFT ACTUATOR MOTOR REMOVAL..... | 47 |
| SQUEEGEE LIFT CABLE REPLACEMENT..... | 47 |
| SQUEEGEE MAINTENANCE..... | 48 |
| SQUEEGEE ADJUSTMENT..... | 48 |

TABLE OF CONTENTS

| | |
|--|-------|
| ELECTRICAL SYSTEM | 49-84 |
| BATTERIES / CHARGERS SPECIFICATIONS | 49 |
| INSTALL THE BATTERIES | 49 |
| DESCRIPTION OF THE BATTERY LOW VOLTAGE CUTOFF FEATURE | 50 |
| DESCRIPTION OF THE BATTERY CONDITION INDICATOR | 50 |
| CHARGING THE BATTERIES | 50 |
| BATTERY MAINTENANCE | 51 |
| BATTERY TESTING | 51 |
| ACTUATOR DRIVE NUT ADJUSTMENT | 52-53 |
| CURTIS SPEED CONTROL | 54-57 |
| MAIN CONTROL BOARD FUNCTIONAL OVERVIEW | 58 |
| MAIN CONTROL BOARD TROUBLESHOOTING GUIDE | 58 |
| MAIN CONTROLLER ERROR CODES | 58-59 |
| MAIN CONTROLLER SERVICE TEST MODE | 60-63 |
| MAIN CONTROL BOARD SPECIAL PROGRAM OPTIONS | 64-71 |
| ELECTRICAL COMPONENT LOCATION (before Serial Number chart) | 73 |
| WIRING DIAGRAM (before Serial Number chart) | 74 |
| WIRING SCHEMATIC (before Serial Number chart) | 75 |
| WIRING DIAGRAM (after Serial Number chart) | 76 |
| WIRING SCHEMATIC (after Serial Number chart) | 77 |
| ELECTRICAL COMPONENT LOCATION (after Serial Number chart) | 78 |

Note: All references to right, left, front, or rear in this manual are as seen from the operator's stand-point.

GENERAL INFORMATION

INTRODUCTION

This manual will help you get the most from your Nilfisk-Advance Rider Scrubber. Read it thoroughly before servicing the machine.

Note: Bold numbers in parentheses indicate an item illustrated on pages 9-10.

This product is intended for commercial use only.

PARTS AND SERVICE

Repairs, when required, should be performed by your Authorized Nilfisk-Advance Service Center, who employs factory trained service personnel, and maintains an inventory of Nilfisk-Advance original replacement parts and accessories.

Call the NILFISK-ADVANCE DEALER named below for repair parts or service. Please specify the Model and Serial Number when discussing your machine.

(Dealer, affix service sticker here.)

NAME PLATE

The Model Number and Serial Number of your machine are shown on the Nameplate on the machine. This information is needed when ordering repair parts for the machine. Use the space below to note the Model Number and Serial Number of your machine for future reference.

MODEL NUMBER _____

SERIAL NUMBER _____

TRANSPORTING THE MACHINE

CAUTION!

Before transporting the machine on an open truck or trailer, make sure that . . .

- The machine is tied down securely - see tie-down locations (25).
- All access doors and covers are secured (tape and strap as necessary).
- The machine parking brake is set.

TOWING

CAUTION!

If the machine must be towed or pushed, make sure the Key Switch (Main Power) (J) is in the OFF position and do not move the machine faster than a normal walking pace (2-3 mph, 3-5kph) and for short distances only.

OTHER MANUALS AVAILABLE

The following manuals are available from the Nilfisk-Advance Literature Service Department, for your Rider Scrubber:

- Parts List - Form Number 56042446
- Operation Manual - Form Number
 - 56041568 (Danish, Norwegian, Swedish, Finnish)
 - 56041569 (German, French, Dutch, Russian)
 - 56041570 (Spanish, Portuguese, Italian, Greek)
 - 56041581 (Estonian, Latvian, Lithuanian, Slovenian)
 - 56041582 (Slovakian, Czech, Polish, Hungarian)
 - 56041583 (English, Spanish)
- Curtis Programmer Manual Number 56043101

CAUTIONS AND WARNINGS

SYMBOLS

Nilfisk-Advance uses the symbols below to signal potentially dangerous conditions. Always read this information carefully and take the necessary steps to protect personnel and property.

DANGER!

Is used to warn of immediate hazards that will cause severe personal injury or death.

WARNING!

Is used to call attention to a situation that could cause severe personal injury.

CAUTION!

Is used to call attention to a situation that could cause minor personal injury or damage to the machine or other property.

GENERAL SAFETY INSTRUCTIONS

Specific Cautions and Warnings are included to warn you of potential danger of machine damage or bodily harm.

WARNING!

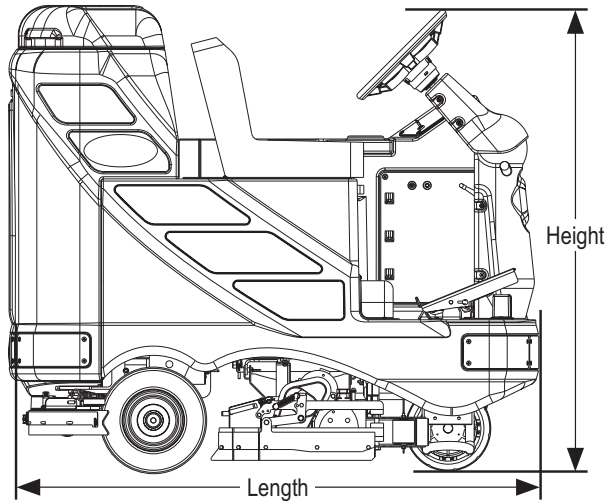
- This machine shall be used only by properly trained and authorized persons.
- While on ramps or inclines, avoid sudden stops when loaded. Avoid abrupt sharp turns. Use low speed down hills. Clean only while ascending (driving up) the ramp.
- Keep sparks, flame and smoking materials away from batteries. Explosive gases are vented during normal operation.
- Charging the batteries produces highly explosive hydrogen gas. Charge batteries only in well-ventilated areas, away from open flame. Do not smoke while charging the batteries.
- Remove all jewelry when working near electrical components.
- Turn the key switch off (O) and disconnect the batteries before servicing electrical components.
- Never work under a machine without safety blocks or stands to support the machine.
- Do not dispense flammable cleaning agents, operate the machine on or near these agents, or operate in areas where flammable liquids exist.
- Do not clean this machine with a pressure washer.

CAUTION!

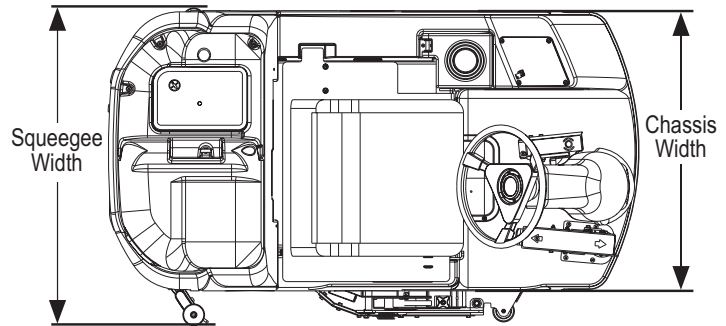
- This machine is not approved for use on public paths or roads.
- This machine is not suitable for picking up hazardous dust.
- Do not use scarifier discs and grinding stones. Nilfisk-Advance will not be held responsible for any damage to floor surfaces caused by scarifiers or grinding stones (can also cause damage to the brush drive system).
- When operating this machine, ensure that third parties, particularly children, are not endangered.
- Before performing any service function carefully read all instructions pertaining to that function.
- Do not leave the machine unattended without first turning the key switch off (O), removing the key and applying the parking brake.
- Turn the key switch off (O) before changing the brushes, and before opening any access panels.
- Take precautions to prevent hair, jewelry, or loose clothing from becoming caught in moving parts.
- Use caution when moving this machine in below freezing temperature conditions. Any water in the solution or recovery tanks or in the hose lines could freeze, causing damage to valves and fittings. Flush with windshield washer fluid.
- The batteries must be removed from the machine before the machine is scrapped. The disposal of the batteries should be safely done in accordance with your local environmental regulations.

SAVE THESE INSTRUCTIONS

SPECIFICATIONS



RIGHT SIDE VIEW



TOP VIEW

General Specifications common to All Models

| | |
|---|---------------------------|
| Machine Length | 61 in. (155cm) |
| Machine Height | 54in. (137.5cm) |
| Machine Chassis Width | 32 in. (82cm) |
| Solution Tank Capacity | 42 gal. (157l.) |
| Recovery Tank Capacity | 42 gal. (157l.) |
| Sound pressure level as per IEC 60704-1 (at operator) | 68 dB(A) |
| Vibrations at the Hand Controls (ISO 5349-1) | 1.12 m/s ² |
| Vibrations at the Seat (EN 1032) | 0.35 m/s ² |
| Transport Speed (Fwd. Maximum) | 4.5 mph (7.3 kphm) |
| Transport Speed (Rev. Maximum) | 3.15 mph (5.1 kphm) |
| Grade Ability (Transport) | 20%/ 11.5 deg. |
| Grade Ability (Working -Scrubbing) | 8%/ 4.6 deg. |
| Wheel Drive Motor | 1.5 hp, 1100 watt |
| Vacuum Motor (3 stage) | .75 hp, 560 watt |
| Vacuum Water Lift for one motor (Sealed) | 68 in. |
| (Open Hole Adapter 1") | 18 in. |
| Vacuum Water Lift for two motors (Sealed) | 78 in. |
| (Open Hole Adapter 1") | 25 in. |
| Power Source (Batteries) | (6) 6 volt @ 20 hour rate |
| Battery Weight (305 amp) STD | 90 lbs. (198kg) |
| Battery Weight (395 amp) Opt. | 121 lbs. (266kg) |
| Battery Compartment Size (approx.) | |
| Height (Max.) | 16.5 in. (42cm) |
| Width (Max.) | 22.25 in. (56.5cm) |
| Length (Max.) | 25.25 in. (64.1cm) |
| Battery Chargers – see Electrical System <i>Battery Section</i> | |

SPECIFICATIONS

Specifications common to deck size

Model designation: (28")=Adgressor 2820 D/C (32")=Adgressor 3220 D/C, BR 850S/CS
 (35")=Adgressor 3520 D/C, BR 950S/CS (38")=Adgressor 3820 D/C, BR 1050S/CS

| | 28" | 32" | 35" | 38" |
|---|---|------------------------|------------------------|------------------------|
| Machine Width with Squeegee (English) | 32.6 in. "B" | 36.6 in. "C" | 42.1 in. "D" | 45.1 in. "E" |
| Metric | 83.6cm "B" | 93cm "C" | 107cm "D" | 115cm "E" |
| Scrub Brush Size (qty of 2 for 28" and 32")(qty of 3 for 35" and 38") (Disc) | | | | |
| Diameter | 14.25 in. (36cm) | 16 in. (40.6cm) | NA | NA |
| (Cylindrical) | | | | |
| Diameter | 5.75 in. (14.6cm) | 5.75 in. (14.6cm) | 5.75 in. (14.6cm) | 5.75 in. (14.6cm) |
| Length | 27 in. (68cm) | 31 in. (79cm) | 34 in. (86cm) | 37 in. (94cm) |
| Scrub Brush Motor (Disc) | (1) 1.5 HP 1100 watts | (1) 1.5 HP 1100 watts | (3) .6 HP 448 watts | (3) .6 HP 448 watts |
| (Cylindrical) | All Cylindrical Models use (2) .75 HP 560 watts | | | |
| Scrub Brush Speed (Disc) | 250 RPM | 250 RPM | 250 RPM | 250 RPM |
| (Cylindrical) | 900 RPM | 900 RPM | 900 RPM | 900 RPM |
| Minimum Aisle Turn Width | 63 in. (160cm) | 63 in. (160cm) | 63 in. (160cm) | 63 in. (160cm) |
| Machine Net Weight* (English) | 657 lbs. | 657 lbs. | 657 lbs. | 657 lbs. |
| Metric | 298 kg | 298kg | 298 kg | 298 kg |
| Machine Gross Weight** (English) | 1553 lbs. | 1553lbs. | 1553 lbs. | 1553 lbs. |
| Metric | 705 kg | 705kg | 705 kg | 705 kg |
| Cleaning Width (scrubbing path) (English) | 28 in. | 32 in. | 35 in. | 38in. |
| Metric | 71cm | 81cm | 89cm | 97cm |
| Coverage Rate Per Hour (4 MPH) (English) | 49,280 ft ² | 56,320 ft ² | 61,600 ft ² | 66,880 ft ² |
| Metric | 4578m ² | 5232m ² | 5722m ² | 6213m ² |
| Coverage Rate Per Hour (2.5 MPH) (English) | 30,800 ft ² | 35,200 ft ² | 38,500 ft ² | 41,800 ft ² |
| Metric | 2861m ² | 3270m ² | 3576m ² | 3883m ² |

***Net Weight:** Standard machine without options, empty solution and recovery tanks, without removable scrub brushes and no batteries installed.

****Gross Weight:** Standard machine without options, full solution tank and empty recovery tank, with removable scrub brushes and 305 AH batteries.

***Listings for watts are maximum values.

MAINTENANCE SCHEDULE

Maintenance intervals given are for average operating conditions. Machines used in severe operational environments may require service more often.

| MAINTENANCE ITEM | Daily | Weekly | Monthly | Yearly |
|---|-------|--------|---------|--------|
| Charge Batteries | • | | | |
| Check/Clean Tanks & Hoses | • | | | |
| Check/Clean/Rotate the Brushes/Pads | • | | | |
| Check/Clean/Adjust the Squeegee | • | • | | |
| Check/Clean Vacuum Shut-Off Float | • | | | |
| Check/Clean the vacuum motor foam filter(s) | • | | | |
| Clean Hopper on Cylindrical System | • | | | |
| Check Each Battery Cell(s) Water Level | | • | | |
| Inspect Scrub Housing Skirts | | • | | |
| Inspect and clean Solution Filter | | • | | |
| Check Foot/ Parking Brake For Wear & Adjustment | | • | | |
| Clean Solution Trough on Cylindrical System | | • | | |
| Lubrication - Grease Fittings | | | • | |
| * Check Carbon Brushes | | | | • |

Note: See the individual machine system sections for maintenance information.

* Have Nilfisk-Advance:

Check vacuum motor carbon brushes (Qty 2) once a year or after 300 operating hours.

Check brush motor carbon brushes (Qty 4) once a year or after 500 operating hours.

Note if the vacuum or brush motor brushes are 9.5mm (3/8 inches) or shorter, replace them.

Check wheel drive motor carbon brushes every 500 operating hours. The original length of each brush is 20mm (25/32 inches). Replace when shorter than 9.5 mm (3/8 inches) to obtain the same motor efficiency as a new brush.

WARNING!

Turn the key switch off, set the parking brake and disconnect the battery before servicing the machine.

LUBRICATING THE MACHINE

Once a month, pump a small amount of grease into each grease fitting on the machine until grease seeps out around the bearings.

Grease fitting locations are:

- Squeegee Wheel Axle (qty 2)
- Steering Wheel Shaft Universal joint

Once a month, apply light machine oil to lubricate the:

- Steering Chain
- General Pivot Points for the Squeegee, Brush Linkage and Side Skirts
- Squeegee mount angle adjustment knob threads

BATTERIES AND CHARGERS

Attention: See the electrical system manual section for battery installation and charger system requirements.

WHEEL DRIVE MOTOR GREASE SPECIFICATION

If drive motor gear housing grease replacement is needed when repair services are performed (Example inspection shows grease contamination). Clean gear sets and housing and re-pack. Use a multi-purpose, high melting point Lithium based grease, containing additives to provide anti-oxidant, anti-corrosion and good lubricity properties. Use a total quantity of 4.9-5.6 oz. (140-160g) of grease to service gear case.

The grease to be used must have excellent mechanical stability, water resistance and high load carrying capacity. The MR 158 grease is particularly recommended for automotive applications including wheel-bearing lubrication. Available NLGI consistency 3.

| Grade | Average Drop Point °C | Penetration ASTM Worked (mm / 10) at 25 °C | Base |
|---------------|-----------------------|--|----------|
| MR 158 Grease | 180 | 220 / 250 | Lithium* |

Advance Adgressor 2820, 3220, 3520, 3820, D/C Models
Nilfisk BR 850, 950, 1050, S/CS Models
Disc and Cylindrical
PM Checklist

Customer _____
Address _____
City _____ **St** _____ **Zip** _____
Model _____ **Serial** _____ **Hours** _____

Defect Codes
A needs adjustment
B binding
C dirty or contaminated
D damaged, bent or torn
L leaks
M missing
W worn out

| Ref | OPERATIONAL INSPECTION ITEMS | OK | Defect Codes (circle) | Does Not Work |
|-----|---|----|-----------------------|---------------|
| 1 | Steering | | A B | |
| 2 | Drive Pedal Operation (check for Fwd/Rev Drive & any neutral creep) | | A B D | |
| 3 | Seat Safety Switch | | A D | |
| 4 | Brakes (Service & Parking) | | A B W | |
| 5 | Drive System Performance (reference SVR Manual for Curtis drive programmer speed changes) | | noisy sluggish | |
| 6 | Scrub System (Raise/Lower and auto scrubbing functions) | | A B | |
| 7 | Scrub Brush Pressure Settings (see SVR Manual programming, 3 different modes) | | A B | |
| 8 | Squeegee System (Raise/Lower and auto lift in reverse function) | | A B | |
| 9 | Vacuum Performance (sealed water lift 68" and 1- inch open hole adapter 18 inches) | | C L W | |
| 10 | Solution Control (On/Off and flow volume Min/Max) | | A B L | |
| 11 | Emergency Battery Disconnect Control Lever | | B D | |
| 12 | Right Side broom Sweep System Accessory (cylindrical only) | | A B D | |
| 13 | Tilt Steering Mechanism and Seat | | A B D | |
| 14 | Optional Accessories (headlight, safety beacon, etc.) | | D | |
| 15 | Main Control Board Special Program Options (check all applicable program settings, reference SVR Manual 56043097); Example, Fault Recall Mode, Etc. | | Program as needed | |
| 16 | Battery Charger Operation | | D | |

| Ref | VISUAL INSPECTION ITEMS | Comments | OK | Defect Codes (circle) | Does Not Work |
|-----|---|---------------------|----|-----------------------|---------------|
| 17 | Scrub Brushes, check for wear and rotate | | | A B D W | |
| 18 | Scrub Brush Motor(s) and disc machine gearboxes | Carbon Brushes | | B L W | |
| 19 | Scrub Brush Drive Belt, wear (cylindrical only) | | | A D W | |
| 20 | Scrub Brush Deck Actuator Motor | | | A B D W | |
| 21 | Brush Drive Plate Retainer Clips (disc) | | | D M | |
| 22 | Scrub Deck Skirts | | | A B W | |
| 23 | Solution Solenoid Valve | | | C L | |
| 24 | Solution Flow Control Valve and Linkage | | | A B D W | |
| 25 | Solution Tank, Delivery Hoses & Filter | Clean Filter Screen | | C L | |
| 26 | Vacuum Motor Carbon Brushes | Wear Limit 3/8" | | W | |
| 27 | Vacuum Motor Gaskets and Filters | | | L W | |
| 28 | Vacuum Float Ball & Cage Assembly | Clean Float | | C M | |
| 29 | Recovery Tank Cover Gasket | | | C D L | |
| 30 | Recovery Tank Drain Hose & Cap | Flush | | C L | |
| 31 | Squeegee Pick-Up Tool & Hose | Back flush | | C L | |

| Ref | VISUAL INSPECTION ITEMS (continued) | Comments | OK | Defect Codes (circle) | Does Not Work |
|-----|--|------------------|----|-----------------------|---------------|
| 32 | Squeegee Blades (clean & rotate) | | | A C D W | |
| 33 | Squeegee Mount Wheel (lubricate) | 1 Grease Zert | | A C W | |
| 34 | Squeegee Lift Actuator Motor & Cable | | | A B D | |
| 35 | Battery Pack Condition (clean & water) | Load Test | | C W | |
| 36 | Front Drive Wheel Motor | Carbon Brushes | | C W | |
| 37 | Front Drive Tire (rim fastener torque) | Tread Wear | | W | |
| 38 | Brake Band Lining Wear | Adjust Free Play | | A B W | |
| 39 | Drive Pedal Linkage (neutral return) | Torsion Spring | | A B | |
| 40 | Steering Chain (lubricate & tension) | 1/4" Deflection | | A B C | |
| 41 | Steering Column (knob & plunger spring) also Universal Joint | Grease | | A D | |
| 42 | Rear Wheels | | | W | |
| 43 | Sweep Debris Tray (cylindrical only) | | | C | |

NOTE: For additional service information see service manual form number 56043097 and operators manual form numbers 56041581-56041583 & 56041568-56041570.

Defect Codes **A** needs adjustment **C** dirty or contaminated **M** missing
 B binding **D** damaged, bent or torn **W** worn out
 L leaks

WORK COMPLETED BY:

ACKNOWLEDGED BY:

Service Technician Signature

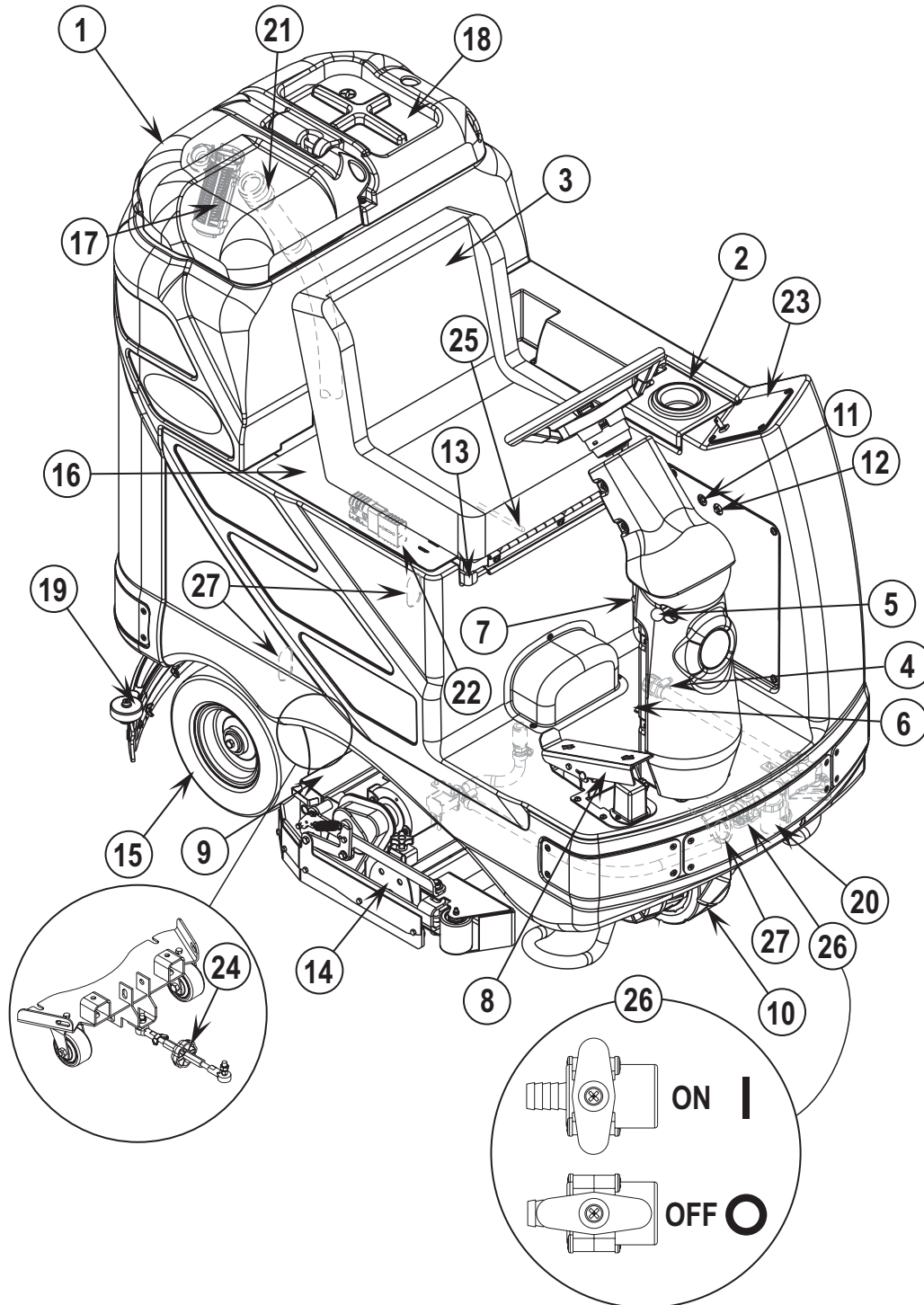
Date

Customer Signature

Date

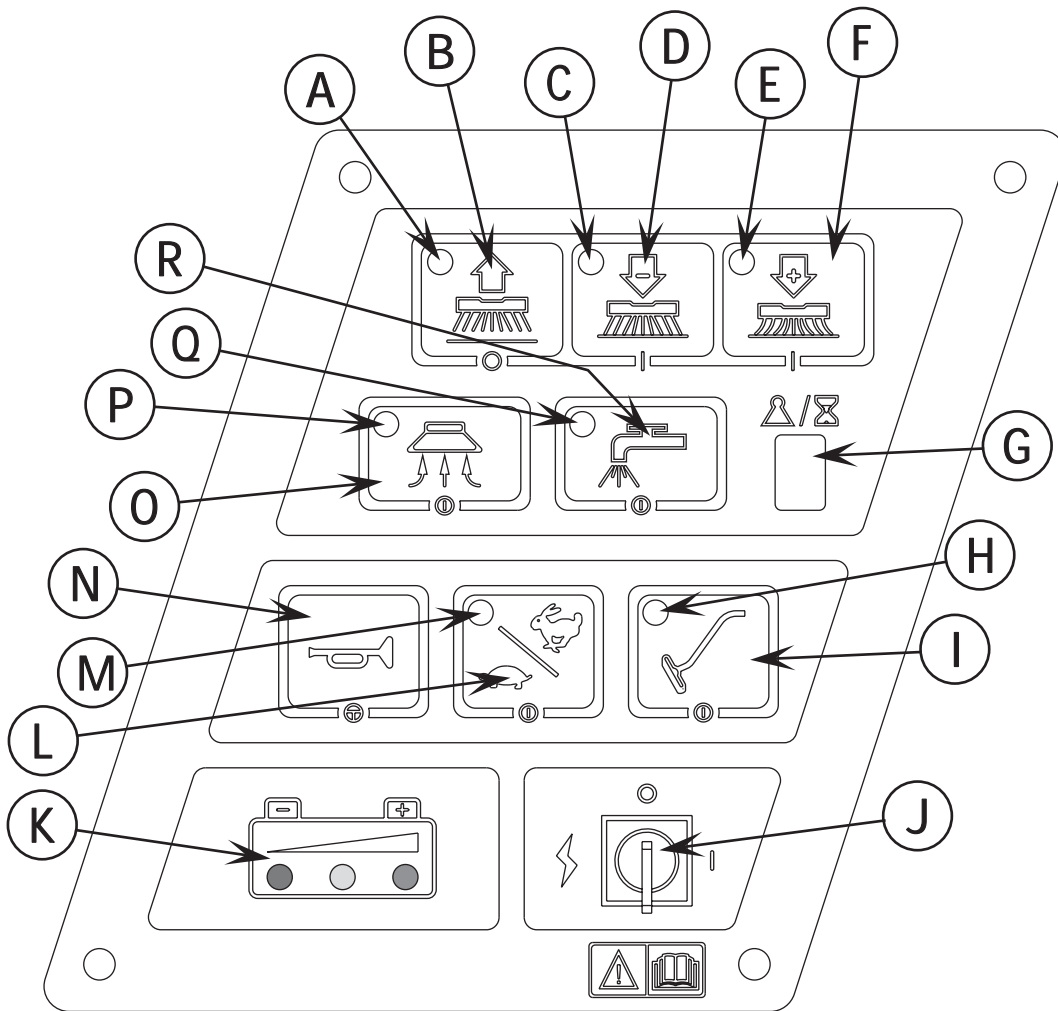
KNOW YOUR MACHINE

- | | | |
|------------------------------------|---|-------------------------------------|
| 1 Recovery Tank Cover | 10 Drive and Steer Wheel | 18 Vacuum Motor Filter Housing |
| 2 Solution Tank Fill Cover | 11 Wheel Drive Circuit Breaker | 19 Squeegee Assembly |
| 3 Operator's Seat | 12 Control Circuit Circuit Breaker | 20 Solution Filter |
| 4 Solution Tank Drain Hose | 13 Emergency Stop Switch / Battery Disconnect Lever | 21 Recovery Tank Drain Hose |
| 5 Steering Wheel Tilt Adjust Knob | 14 Scrub Deck | 22 Machine Battery Connector |
| 6 Brake Pedal / Parking Brake | 15 Rear Wheel | 23 Control Panel |
| 7 Solution Flow Control Lever | 16 Battery Compartment (under seat) | 24 Squeegee Tilt Adjust Knob |
| 8 Drive Pedal, Directional/Speed | 17 Recovery Tank Shutoff Float | 25 Operator Seat Adjustment Lever |
| 9 Hopper (cylindrical models only) | | 26 Smart Solutions™ / ECO Solution™ |
| | | 27 Tie Down Locations (3) |



CONTROL PANEL

- | | | | |
|---|------------------------------------|---|-----------------------------|
| A | Scrub OFF Indicator | J | Key Switch |
| B | Scrub OFF Switch | K | Battery Condition Indicator |
| C | Scrub Pressure Decrease Indicator | L | Speed Select Switch |
| D | Scrub Pressure Decrease Switch | M | Speed Select Indicator |
| E | Scrub Pressure Increase Indicator | N | Horn Switch |
| F | Scrub Pressure Increase Switch | O | Vacuum Switch |
| G | Scrub Pressure / Hourmeter Display | P | Vacuum System Indicator |
| H | Wand Switch Indicator | Q | Solution System Indicator |
| I | Wand Switch | R | Solution Switch |



FUNCTIONAL DESCRIPTION OF CONTROL BUTTONS:

The controls on the Adgressor – BR850s and BR850CS were designed with *one touch operation* in mind. For single pass scrubbing the user can simply depress one switch and all systems on the machine will be ready to go.

For most single-pass scrubbing operations, the operator should only need to use the top three switches on the control panel. These are the Scrub System Off, Scrub Pressure Decrease, and Scrub Pressure Increase switches.

The scrub system switches can be programmed to operate three different ways. The first method of operation described below is the factory default setting. See the programming section for details.

Pressure Increase / Decrease Mode (Factory Default)

Scrub Off Switch (B) – Pressing this switch when the unit is in a scrub mode will cause the following to occur:

- The scrub brushes will turn off and the scrub deck will raise to the up position
- The solution flow will be stopped
- The first time that this switch is pressed, the vacuum/squeegee system will NOT be turned off. This is so that any remaining water may be picked up without having to turn the vacuum back on. If this switch is pressed a second time (pressed after the scrub system has been turned off) the squeegee will raise and the vacuum will shut off after a 10 second delay.
- The travel speed limit will return to the transport speed setting
- The scrub off indicator will be green if the scrub system is off and ready to be activated. The indicator will be off if the scrub system has been activated. If the scrub system has been turned off and the scrub deck is not up yet, or if the scrub deck is up and there is no weight on the seat, the indicator will be red. If there is a fault in the scrub system this indicator will flash red.

Scrub Pressure Decrease Switch (D) – If the scrub system is off, pressing this switch will cause the following to occur:

- The scrub system will be enabled with the scrub pressure set to the last used setting and the scrub deck will be lowered
- The vacuum system will be enabled and the squeegee will be lowered
- The solution system will be enabled
- The travel speed will be limited to the scrub speed setting
- As soon as the throttle is moved from the neutral position the scrub brushes will start turning and the vacuum will turn on. If the direction is forward the solution flow will start. If the direction is reverse, the squeegee will raise and the solution flow will be stopped.
- The scrub pressure decrease indicator will be green if the scrub system is on and the pressure is set at 1 or 2. The indicator will be off if the scrub system is off or if the scrub pressure is set to maximum. The indicator will be yellow if the scrub system has been enabled but the throttle is in neutral.

Scrub Pressure Increase Switch (F) – If the scrub system is off, pressing this switch will cause the following to occur:

- The scrub system will be enabled with the scrub pressure set to the last used setting and the scrub deck will be lowered
- The vacuum system will be enabled and the squeegee will be lowered
- The solution system will be enabled
- The travel speed will be limited to the scrub speed setting
- As soon as the throttle is moved from the neutral position the scrub brushes will start turning and the vacuum will turn on. If the direction is forward the solution flow will start. If the direction is reverse, the squeegee will raise and the solution flow will be stopped.
- The scrub pressure increase indicator will be green if the scrub system is on and the pressure is set at 2 or 3. The indicator will be off if the scrub system is off or if the scrub pressure is set to minimum. The indicator will be yellow if the scrub system has been enabled but the throttle is in neutral.

KNOW YOUR MACHINE

Fixed Pressure Mode

Scrub System Off Switch - Pressing this switch when the scrub system is active will cause the following to occur:

- The scrub brushes will turn off and the scrub deck will raise to the up position
- The solution flow will be stopped
- The first time that this switch is pressed, the vacuum/squeegee system will NOT be turned off. This is so that any remaining water may be picked up without having to turn the vacuum back on. If this switch is pressed a second time (pressed after the scrub system has been turned off) the squeegee will raise and the vacuum will shut off after a 10 second delay.
- The travel speed limit will return to the transport speed setting
- The scrub off indicator will be green if the scrub system is off and ready to be activated. The indicator will be off if the scrub system has been activated. If the scrub system has been turned off and the scrub deck is not up yet, or if the scrub deck is up and there is no weight on the seat, the indicator will be red. If there is a fault in the scrub system this indicator will flash red.

Light Scrub Pressure Select Switch – If the scrub system is off, pressing this switch will cause the following to occur:

- The scrub system will be enabled with the scrub pressure set to the light setting and the scrub deck will be lowered
- The vacuum system will be enabled and the squeegee will be lowered
- The solution system will be enabled
- The travel speed will be limited to the scrub speed setting
- As soon as the throttle is moved from the neutral position the scrub brushes will start turning and the vacuum will turn on. If the direction is forward the solution flow will start. If the direction is reverse, the squeegee will raise and the solution flow will be stopped.
- The light scrub pressure indicator will be green if the scrub system is on and the light pressure has been selected. The indicator will be off if the scrub system is off. The indicator will be yellow if the scrub system has been enabled at the light pressure setting but the throttle is in neutral.

If the heavy scrub pressure setting is selected, pressing this switch will select the light scrub pressure. If the light scrub pressure is already selected, pressing this switch will have no effect.

Heavy Scrub Pressure Select Switch – If the scrub system is off, pressing this switch will cause the following to occur:

- The scrub system will be enabled with the scrub pressure set to the heavy setting and the scrub deck will be lowered
- The vacuum system will be enabled and the squeegee will be lowered
- The solution system will be enabled
- The travel speed will be limited to the scrub speed setting
- As soon as the throttle is moved from the neutral position the scrub brushes will start turning and the vacuum will turn on. If the direction is forward the solution flow will start. If the direction is reverse, the squeegee will raise and the solution flow will be stopped.
- The heavy scrub pressure indicator will be green if the scrub system is on and the heavy pressure has been selected. The indicator will be off if the scrub system is off. The indicator will be yellow if the scrub system has been enabled at the heavy pressure setting but the throttle is in neutral.

If the light scrub pressure setting is selected, pressing this switch will select the heavy scrub pressure. If the heavy scrub pressure is already selected, pressing this switch will have no effect.

Light / Heavy Scrub Mode

Scrub System Off Switch - Pressing this switch when the scrub system is active will cause the following to occur:

- The scrub brushes will turn off and the scrub deck will raise to the up position
- The solution flow will be stopped
- The first time that this switch is pressed, the vacuum/squeegee system will NOT be turned off. This is so that any remaining water may be picked up without having to turn the vacuum back on. If this switch is pressed a second time (pressed after the scrub system has been turned off) the squeegee will raise and the vacuum will shut off after a 10 second delay.
- The travel speed limit will return to the transport speed setting
- The scrub off indicator will be green if the scrub system is off and ready to be activated. The indicator will be off if the scrub system has been activated. If the scrub system has been turned off and the scrub deck is not up yet, or if the scrub deck is up and there is no weight on the seat, the indicator will be red. If there is a fault in the scrub system this indicator will flash red.

Light Scrub Pressure Select Switch – If the scrub system is off, pressing this switch will cause the following to occur:

- The scrub system will be enabled with the scrub pressure set to the last used light pressure setting and the scrub deck will be lowered
- The vacuum system will be enabled and the squeegee will be lowered
- The solution system will be enabled
- The travel speed will be limited to the scrub speed setting
- As soon as the throttle is moved from the neutral position the scrub brushes will start turning and the vacuum will turn on. If the direction is forward the solution flow will start. If the direction is reverse, the squeegee will raise and the solution flow will be stopped.
- The light scrub pressure indicator will be green if the scrub system is on and the light pressure has been selected. The indicator will be off if the scrub system is off. The indicator will be yellow if the scrub system has been enabled at the light pressure setting but the throttle is in neutral.

KNOW YOUR MACHINE

If the heavy scrub pressure is active, pressing this switch will cause the pressure to return to the last used light scrub pressure setting. If the light scrub pressure is already selected when this switch is pressed, the scrub pressure will increase up to the maximum limit programmed for the light scrub pressure. The pressure will then roll-over to the minimum setting of 1.

Heavy Scrub Pressure Select Switch – If the scrub system is off, pressing this switch will cause the following to occur:

- The scrub system will be enabled with the scrub pressure set to the last used heavy pressure setting and the scrub deck will be lowered
- The vacuum system will be enabled and the squeegee will be lowered
- The solution system will be enabled
- The travel speed will be limited to the scrub speed setting
- As soon as the throttle is moved from the neutral position the scrub brushes will start turning and the vacuum will turn on. If the direction is forward the solution flow will start. If the direction is reverse, the squeegee will raise and the solution flow will be stopped.
- The heavy scrub pressure indicator will be green if the scrub system is on and the heavy pressure has been selected. The indicator will be off if the scrub system is off. The indicator will be yellow if the scrub system has been enabled at the heavy pressure setting but the throttle is in neutral.

If the light scrub pressure is active, pressing this switch will cause the pressure to return to the last used heavy scrub pressure setting. If the heavy scrub pressure is already selected when this switch is pressed, the scrub pressure will increase up to the maximum limit programmed for the heavy scrub pressure. The pressure will then roll-over to the minimum value programmed for the heavy scrub mode.

Wand Switch (I) – This switch is used when an external scrub wand is used. Pressing this switch will turn the vacuum on continuously without regard to the throttle position. It will also enable the optional solution pump. If the scrub system was on it will be turned off. This includes turning off the scrub brushes and raising the scrub deck, turning the solution flow off (to the scrub deck) and raising the squeegee. *NOTE: automatic shutoff of the vacuum motor when the recovery tank is full is disabled when the wand is enabled. The float in the recovery tank will still prevent water from entering the vacuum motor, but the motor will not shut off.*

Key Switch (J) – Main power switch

Speed Select Switch (L) – This switch will allow the operator to select the transport speed limit while the scrub system is enabled thereby allowing scrubbing at a higher rate of speed. This option can be disabled if desired. See the programming section for details.

The transport and scrub speed limits can be programmed using a Curtis handheld programmer. Refer to the Curtis Speed Control manual section for details.

Horn Switch (N) – This switch will sound the horn as long as the switch is held.

The horn also functions as an automatic back-up alarm when the throttle is moved to the reverse position. The volume of the back-up alarm is programmable. It can also be programmed to provide an annunciation feature that will sound whenever the machine is in motion. See the programming section for details.

Vacuum Switch (O) – This switch is used to turn the vacuum system on or off. When the vacuum is on the squeegee will lower (unless the machine is in reverse) and when the vacuum is off the squeegee will raise. Pressing this switch will alternate between on and off. The vacuum will only turn on when the throttle is moved from the neutral position. It will remain on for 10 seconds after the throttle returns to neutral.

The vacuum also has an automatic shutoff feature that will turn the vacuum and scrub systems off if the recovery tank becomes full. This feature can be disabled if desired. See the programming section for details.

Solution Switch (R) - This switch is used to turn the solution system on or off. Pressing this switch when the scrub system has been activated will alternate between on and off. The solution flow will only turn on when the throttle is moved from the neutral position in the forward direction. The solution flow will turn off if the throttle returns to neutral or is moved to reverse.

Pressing this switch when the scrub system is off will momentarily turn the solution flow on to allow pre-wetting of the scrub brushes.

KNOW YOUR MACHINE

DESCRIPTION OF INDICATORS ON THE CONTROL PANEL:

In general, the following guidelines apply to the control panel indicators:

A **steady red** indicator means that the function is inhibited for some reason. For example, if the scrub system is off and the operator is not on the seat, the scrub system indicator will be red indicating that the system cannot be turned on until the operator is on the seat.

A **flashing red or yellow** indicator means that a fault has occurred in the particular system. An example of this would be an over-current fault.

A **yellow** indicator means that the particular function has been enabled but is not currently on. For example, if a scrub mode is selected and the throttle is in neutral, the scrub system, vacuum, and solution indicators will all be yellow indicating that the systems are enabled and ready to turn on when the throttle is moved to forward or reverse.

A **green** indicator means that the particular system is on.

A **flashing green** indicator means that the particular system is in a delayed-off condition. An example of this is when a scrub mode is selected and the throttle goes from forward or reverse to neutral. When this happens the vacuum indicator will flash green indicating that the vacuum is still on but that it will be turning off after the delay period.

Scrub Off Indicator (A):

- This indicator will be green if the scrub system is off and ready to be activated.
- This indicator will be red if the scrub system has been turned off and the scrub deck is not up yet, or if the scrub deck is up and there is no weight on the seat.
- This indicator will flash red if there is a fault in the scrub system.
- This indicator will be off if the scrub system has been activated.

Scrub Pressure Decrease Indicator (C):

- This indicator will be yellow if the scrub system is enabled but the drive pedal is at neutral and the current scrub pressure is at 2 or more.
- This indicator will be green if the scrub system has been turned on, the current scrub pressure is at 2 or more and the machine is moving in either direction.
- This indicator will be off if the scrub system has been turned OFF or the scrub pressure is set at 1.

Scrub Pressure Increase Indicator (E):

- This indicator will be yellow if the scrub system is enabled but the drive pedal is at neutral and the current scrub pressure is at 8 or less.
- This indicator will be green if the scrub system has been turned on, the current scrub pressure is at 8 or less and the machine is moving in either direction.
- This indicator will be off if the scrub system has been turned OFF or the scrub pressure is set at 9.

Scrub Pressure/Hourmeter Display (G):

The single character display on the control panel is primarily used as a display for the scrub pressure. This display is also used to display the machine hours and any control system fault codes.

If any of the systems on the machine are on or if the throttle is not in neutral, the display will indicate the scrub pressure setting (1-9). If the scrub system is off the display will indicate 0.

Upon power-up or if the machine has been idle for at least ten seconds with all systems turned off, the display will indicate the machine hours. The format for the display of the hours is as follows:

Example 123.4 hours

- The display will indicate 1 followed by a short blank period
- The display will indicate 2 followed by a short blank period
- The display will indicate 3 followed by a short blank period
- The display will indicate _ followed by a short blank period, this is used as a decimal point to indicate tenths of hours
- The display will indicate 4 (tenths) followed by a long blank period
- The display sequence will repeat

Wand Switch Indicator (H):

- This indicator will be green if the Wand Switch has been turned ON.
- This indicator will be off if the Wand Switch has been turned OFF.

Speed Selector Indicator (M):

- This indicator will be green if a scrub mode has been selected and the faster scrub speed has been selected.
- This indicator will be off if the Speed Select Switch has been turned OFF.

Vacuum System Indicator (P):

- This indicator will be green if the vacuum is on.
- This indicator will flash green if the vacuum is in the 10 second delayed-off condition.
- This indicator will be yellow if the vacuum is enabled but the drive pedal is in neutral.
- This indicator will flash yellow if there is a vacuum system fault.
- This indicator will be off if the vacuum is disabled and turned off.

Solution System Indicator (Q):

- This indicator will be green if the solution is on.
- This indicator will be yellow if the solution is enabled but the drive pedal is in neutral.
- This indicator will flash yellow if there is a solution system fault.
- This indicator will be off if the solution is disabled and turned off.

DESCRIPTION OF THE BATTERY CONDITION INDICATORS

The battery condition indicator (J) consists of three lights, a green (G), a yellow (Y), and a red (R). The voltage indication will change based on the cutoff level (standard or alternate) selected in the control unit. The battery voltage ranges for the various indications are listed below:

| | Standard | Alternate |
|---------------------|-------------|-------------|
| Green | 34.00+ | 34.50+ |
| Green & Yellow | 33.00-33.99 | 34.00-34.49 |
| Yellow | 32.00-32.99 | 33.50-33.99 |
| Yellow & Red | 31.50-31.99 | 33.00-33.49 |
| Red | 31.00-31.49 | 32.50-32.99 |
| Flashing Red/Cutoff | <31.00 | <32.50 |

NOTE: Refer to service manual for selection of alternate cut-off level. Once the low voltage cutout level has been reached (flashing red indicator) the batteries must be **FULLY** recharged to reset the battery condition indicator. The scrub system will not function until the indicator has been reset.

DESCRIPTION OF HOURMETER / STATUS DISPLAY

The single character display in the upper right corner of the control panel is primarily used as a display for the hourmeter function. This display is also used to display the following information depending upon which mode the control is in:

- Error codes*
- Brush pressure adjustment setting for the scrub mode*
- Display of control system default parameters*
- Recovery tank FULL indicator*

* NOTE: Reference (in the Electrical System manual section) the Main Control Board Troubleshooting Guide and the Control Board Special Program Options sections. These sections will explain the machine error code descriptions and scrub system controller default parameter changes.

STEERING SYSTEM

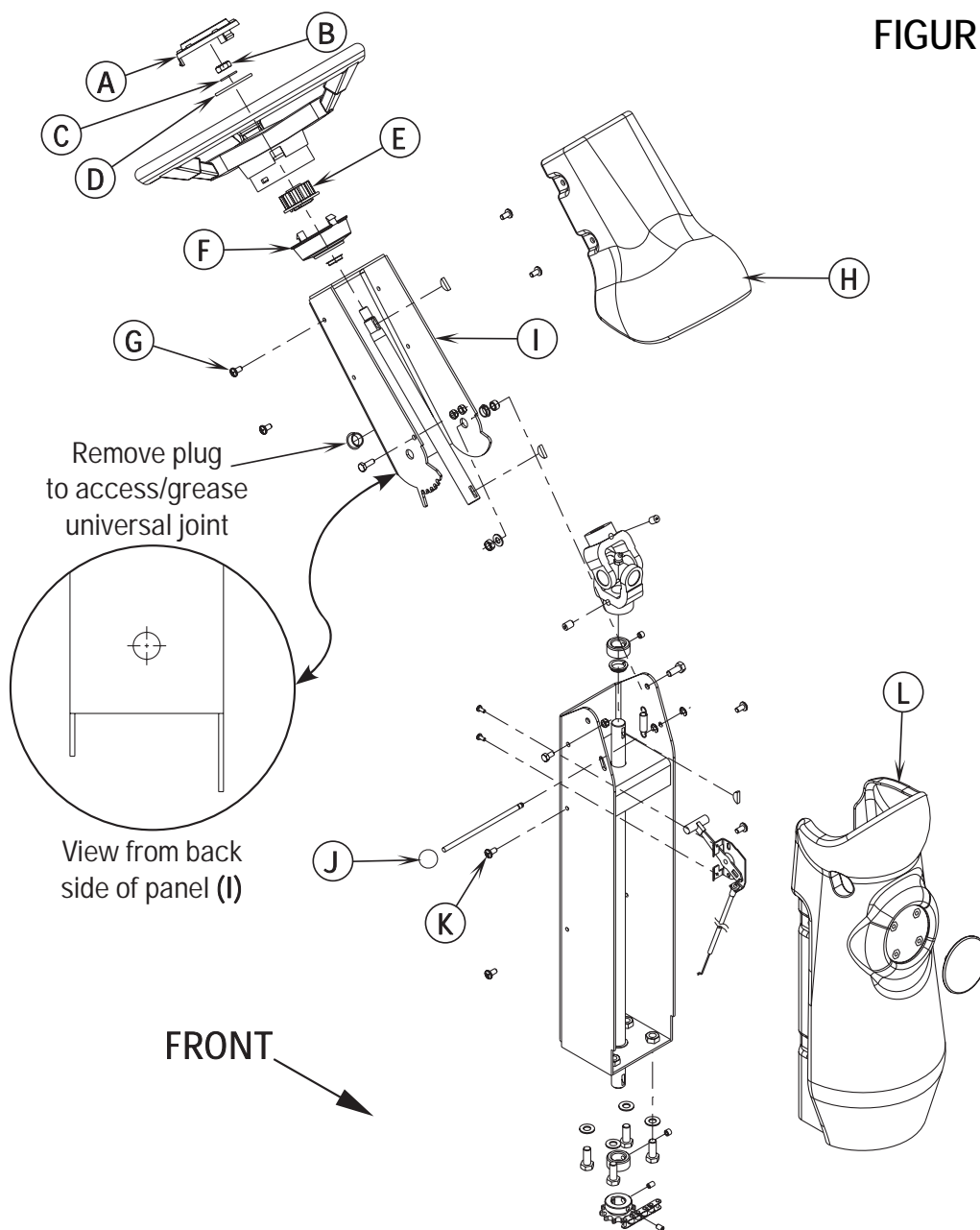
STEERING COLUMN ASSEMBLY SHROUD REMOVAL

Upper Column

- 1 See Figure 1. Remove the center Wheel Adapter (A) from the steering wheel. Pry it off using a flat bladed screwdriver.
- 2 Remove the steering shaft retainer Hex Nut (B) (use a 3/4" socket wrench) and the two Washers (C & D). Next pull straight back on the steering wheel to remove it from the metal Wheel Adapter (E).
- 3 Pull off the keyed metal wheel adapter from the steering shaft by using a two-jaw gear puller. With the wheel adapter off the loose Plastic Trim Cup (F) can now be removed.
- 4 Remove the (4) Screws (G) securing the Column Shroud (H) and pull it off from the Column Base (I).

Lower Column

- 1 Tilt the steering wheel column as far back (close to the seat) as possible.
- 2 Remove the tilt column release Knob (J) (threaded) from its shaft.
- 3 Remove the (4) Screws (K) securing the Lower Shroud (L) and next pull the shroud far enough away from the column base to clear the tilt release shaft through the shroud opening. Note: This will take some effort in prying the flexible plastic shroud around the movable tilt shaft.
- 4 Grip the shroud and pull up to completely release it from the steering column base and the foot brake assembly.



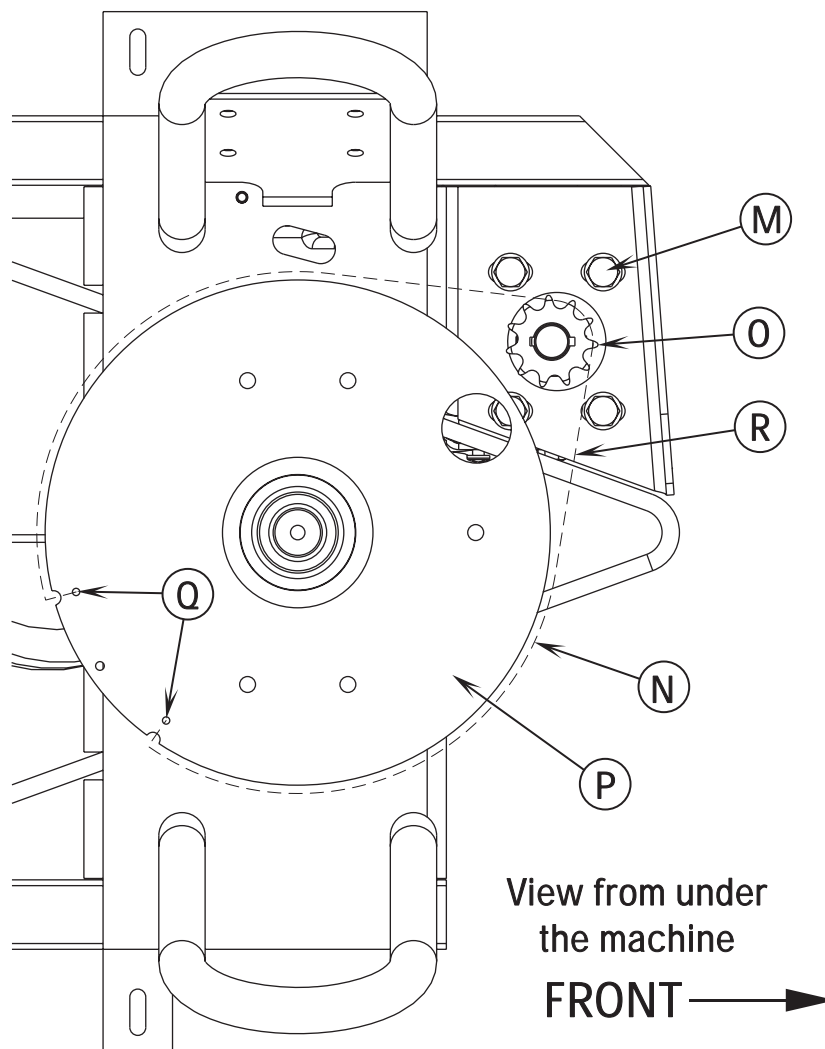
STEERING CHAIN REMOVAL AND TENSIONING

- 1 Turn the master key switch off and separate the battery pack emergency disconnect (13).
- 2 See Figure 2. From underneath the front of the machine loosen the (4) (M) Screws and push the lower steering column to the rear of the machine. This is done to separate the Chain (N) from the Steer Sprocket (O). **Service Note:** Use a 5/8" socket with 3" extension to loosen screws and also correctly position the large hole in the Steer Plate (P) in order to access the far back left screw.
- 3 Remove both Master Links (Q) that secure the chain to the Steer Plate (P) then remove the chain from the chassis.
- 4 Reassemble parts in reverse order and adjust chain tension so that there is about 3/16"-1/4" (4.7 – 6.4mm) total deflection with moderate pressure applied at the Mid-point (R) (as shown). **Service Tip Note:** Use a pry bar or shims between the chassis and steer column to help secure the tension adjustment when tightening the (4) steering column mounting screws.

Maintenance

- 1 Inspect the chain for looseness and binding, re-tension the chain to 3/16"-1/4" (4.7 – 6.4mm) deflection by following the above adjustment instructions.
- 2 Keep all of the steer chain links oiled to prevent excessive wear and binding.

FIGURE 2



WHEEL DRIVE SYSTEM

GENERAL FUNCTIONAL OVERVIEW

See Figures 1 & 2. An 1100-watt 1.5 HP (permanent magnet) 36V motor/gear transmission combination wheel (M3) unit is used to propel all machines. A Curtis model 1237 PMC solid state speed controller (A1) regulates (outputs) the variable speed Fwd/Rev wheel drive motor functions. The controller unit is located to the left of the operator seat, behind the electrical access panel. The potentiometer R1 mounted to the operator's foot pedal, inputs to the (A1) controller the machine operator's desired speed and directional demands.

DRIVE MOTOR SYSTEM CONTROLLER FUNCTION OVERVIEW

See Figure 2. To make the A1 speed controllers internal control circuits operational (power it up) the two switches S1 (key) and S2 (seat) must be closed. This circuit inputs a positive (+) 36V to the A1 speed controls pin terminal #15 (*KSI). The F2 circuit breaker 70 Amp supplies the positive high current (load) circuit input to the B+ controller terminal (Blu/Orn wire). The black wire from the negative (-) battery standoff supplies the battery ground input to the B- terminal for both the control and load circuits.

See Figure 3. Depressing the foot pedal in either Fwd or Rev will move the 5K Ohm (R1) potentiometer shaft off its centered balanced (neutral) setting of approximately 2500 Ohms. With this pot shaft movement the pot's resistance value changes which generates a variable voltage signal (0-5 volts). These control board voltage input signals are what energizes the Fwd & Rev directional relays, which selects the motor polarity and what also manages switches the battery voltage On and Off (**PWM) that varies the motor speed.

*KSI: Key Switch Input

**PWM: Pulse Width Modulation, also called "chopping" is a technique that switches battery voltage to the motor ON and OFF very quickly, thereby controlling the speed of the motor.

DRIVE MODE SELECTION OPERATION OVERVIEW

The A1 speed Controller allows operation in two distinct modes: mode 1 (M1) & mode 2 (M2).

Mode 1 (M1) is the transport speed range and is automatically selected when the scrub system is OFF (deck up). This allows maximum variable vehicle speed operation.

Mode 2 (M2) is the reduced slower scrub speed range and is automatically selected when the scrub mode is ON (deck down).

The operator can over-ride the reduced M2 scrub speed by pressing the dash panel Speed Select Switch (L). This allows the operator to scrub at the higher M1 transport speed. Note the Indicator Light (M) will be green when the faster transport speed is selected.

THE SPEED SELECTOR CIRCUIT INPUT

The main controller E1 will output a 30-31 volt (approximately) battery positive (B+) signal from the speed limit terminal J4-2 (Brn/Wht wire). This positive signal connection delivers the required A1 speed control input to pin #11. The controller is now in scrub speed (mode 2) and the speed control mode select is switched ON. Pressing the dash panel Speed Select Switch (L) its Indicator Light (M) turns ON. This action leaves the speed control input (pin #11) floating and actively switches it Off, 0 volts (pulling it to B-) changing the output to the transport speed (mode 1).

Note: The maximum machine drive wheel speed setting for the two drive modes 1 & 2 can be changed by using the Curtis handheld programmer. Reference the Curtis programmer instructions found in the electrical system manual section to change speed settings from their original factory specifications.

WHEEL DRIVE SYSTEM

FIGURE 1

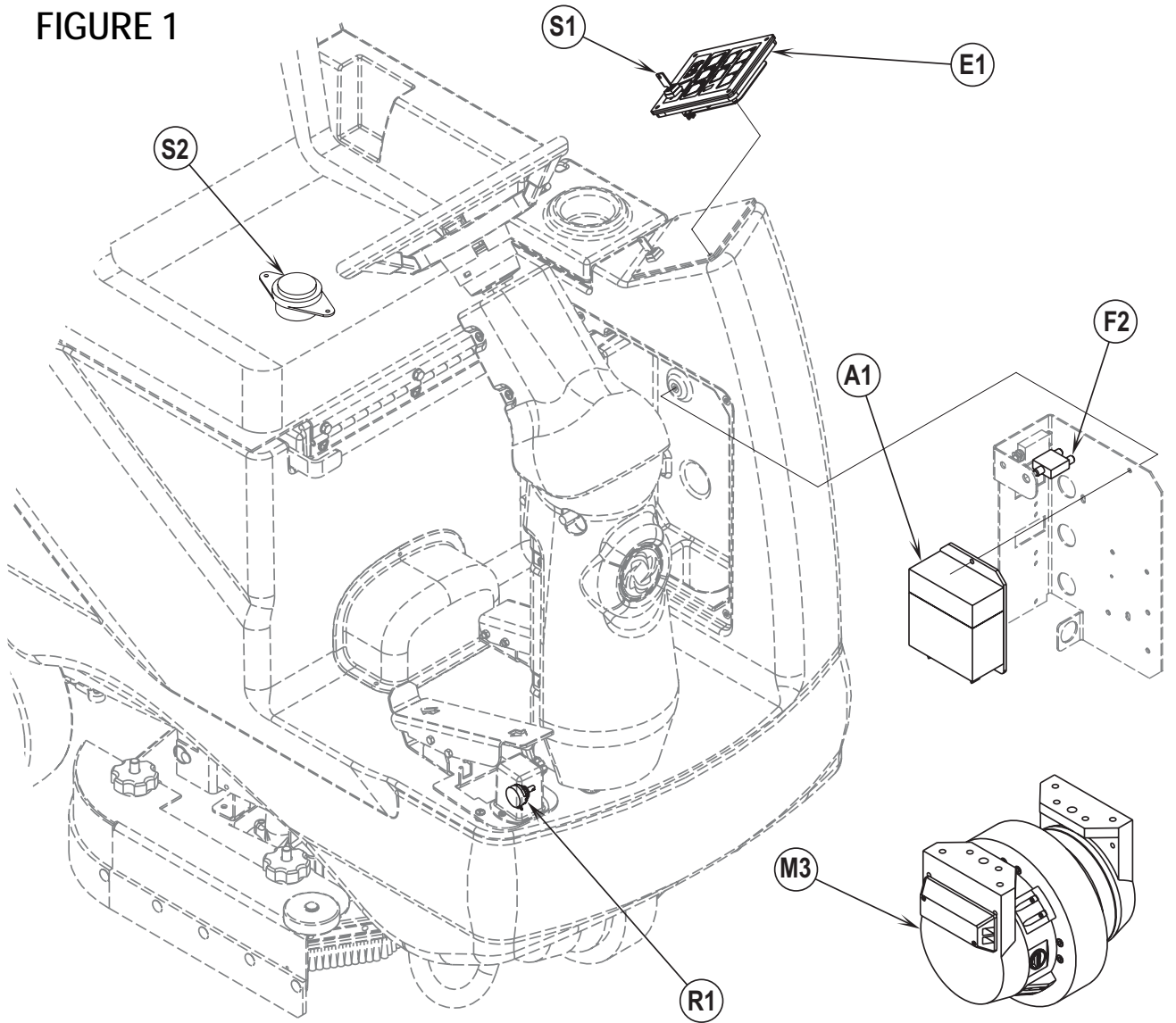
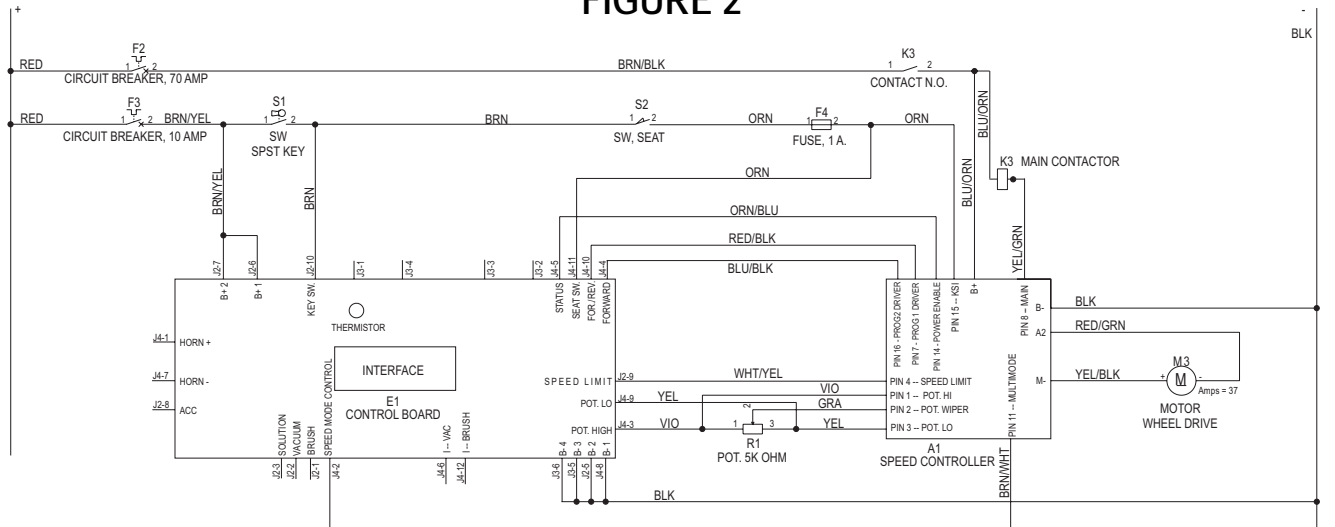


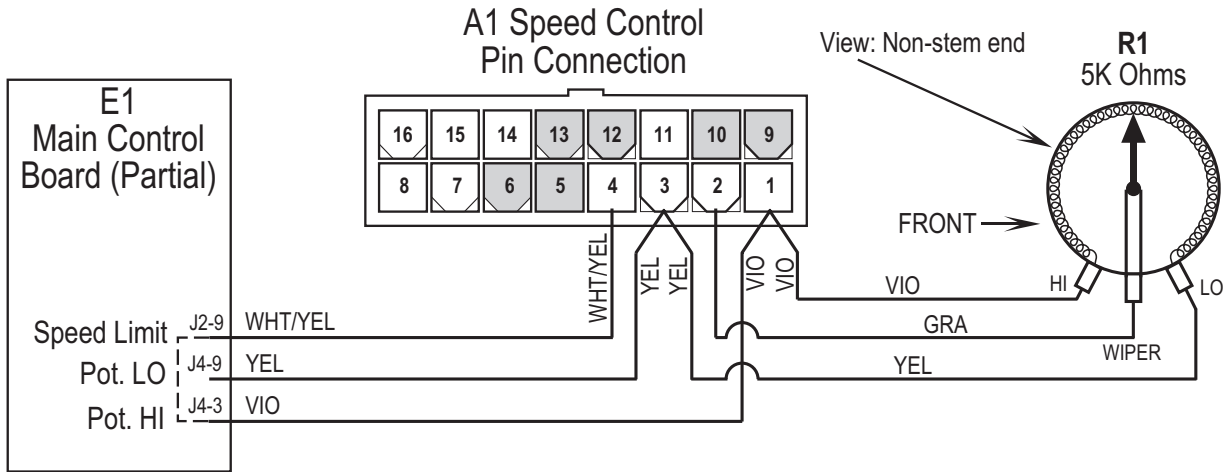
FIGURE 2



WHEEL DRIVE SYSTEM

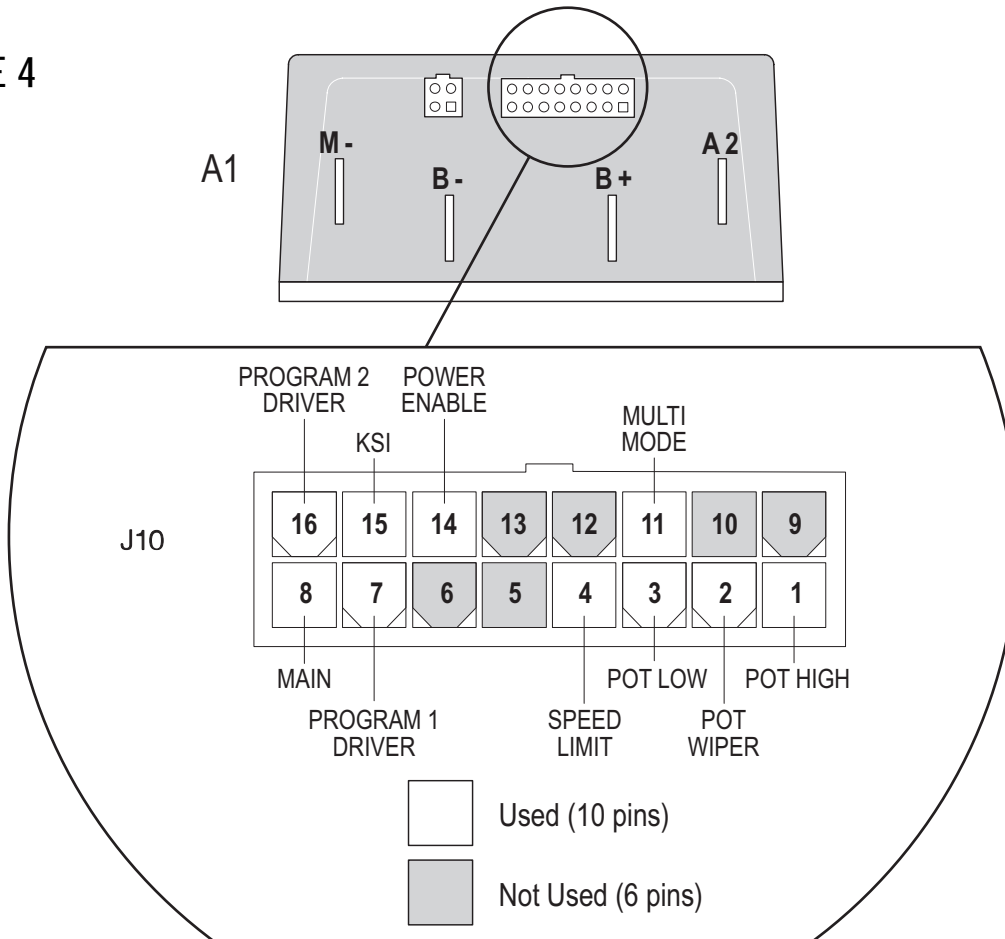
FIGURE 3

R1 Voltage Values
 0 – 2.5V Reverse
 2.5 – 5V Forward



This drawing shows additional controller input circuit detail. The R1 pot is shown in the neutral position. Resistance is measured between pot low and pot wiper.

FIGURE 4



WHEEL DRIVE SYSTEM

Low Current A1 Speed Control Pin Key Detail

| Pin # | Wire Color | Controller Pin Description & Function |
|-------|------------|---|
| 1 | Vio | Throttle Pot R1 pot high input |
| 2 | Gra | Throttle Pot R1 pot wiper input |
| 3 | Yel | Throttle Pot R1 pot low input |
| 4 | Wht/Yel | Speed limit pot input Tied to Pot High |
| 5 | - | Open not used |
| 6 | - | Open not used |
| 7 | Red/Blk | Program #1 Auxiliary Driver: Battery (-) output to the main controller (E1) to turn on (activate) all auto scrub functions. Pin #7 will read approximately 36 volts when the foot-pedal is in Fwd or Rev. |
| 8 | Yel/Grn | Main Contactor Output. |
| 9 | - | Open not used |
| 10 | - | Open not used |
| 11 | Brn/Wht | Mode Select 1: Drive motor scrub speed input from the (E1) |
| 12 | - | Open not used |
| 13 | - | Open not used |
| 14 | Orn/Blu | Status Fault: Speed controller fault output to main control panel fault indicator light (accessory wand) |
| 15 | Orn | KSI (key switch input): Battery (+) powers up controller logic circuits |
| 16 | Blu/Blk | Program #2 Auxiliary Driver: Battery (+) output to the main controller (E1) that controls the entire auto reverse machine functions. How the program #2 functions, is when the foot-pedal is placed in Rev, Pin #16's voltage signal to E1 is lost (0 volts). This lost open circuit signal is what tells the E1 controller to turn on the back-up alarm (H1), turn off the solution solenoid valve (L1) and raise the squeegee tool (changes polarity to the Lift motor M2). |

WHEEL DRIVE TROUBLESHOOTING GUIDE

| Problem | Possible Cause |
|---|---|
| <ul style="list-style-type: none"> Wheel drive motor will not run in forward and reverse. | <ul style="list-style-type: none"> Batteries need charging (low battery voltage, recharge batteries) Wheel Drive Motor Circuit Breaker (F2) tripped (reset 70A circuit breaker) Control Circuit Circuit Breaker (F3 & F4) tripped (reset circuit breaker) Parking Brake (6) set (release parking brake) Emergency Stop Switch (13) tripped (reconnect battery to reset) Safety Switch (S2) in seat not closed (check seat switch) Defective Wheel Drive Motor (replace motor) * Defective Throttle Potentiometer (R1) (replace) * |
| <ul style="list-style-type: none"> Wheel drive in one direction only, loss of either forward or reverse. | <ul style="list-style-type: none"> Test the Fwd & Rev (R1) wiring outputs (pins 1, 2 & 3) at the speed control for an open. Repair wiring or replace the R1 pot. Controller can't change electrical polarity to wheel motor replace the (A1) speed control. |
| <ul style="list-style-type: none"> Hourmeter/status display shows an error 03 fault code. | <ul style="list-style-type: none"> Speed controller has sensed an operation error code fault. (see the <i>Status LED Fault Codes (Table 1)</i> in the Electrical System) |

* = See *Curtis Speed Control Troubleshooting* Section.

WHEEL DRIVE SYSTEM

STEERING SPINDLE AND WHEEL DRIVE MOTOR ASSEMBLY REMOVAL

⚠ WARNING!

Turn the main key switch (J) to the off position and disconnect the battery pack by pushing in the emergency disconnect lever (13). Next block both rear wheels so machine can't roll.

- 1 See Figure 5. Remove the brake foot pedal (A) secured by the (2) screws (D) that fasten the pedal mount bracket to the chassis allowing access to the spindle retainer nut.
- 2 Pull out the brake rod (E) and use a 1-7/16" socket to remove the large spindle nut (F) from its shaft.
- 3 From underneath the front of the machine remove the (4) (G) screws and push the lower steering column to the rear of the machine. This is done to separate the chain (H) from the steer sprocket (I). **Service Note:** Use a 5/8" socket with 3" extension to remove screws and also correctly position the large hole in the steer plate (J) in order to access the far back left screw.
- 4 On the right side of the drive motor remove the motor wiring cover and observe the (2) wires (red/green & yellow/black) attached to the motor terminal connections for reassembling (shown in Figure 4.5). Then remove the wires using a 13mm wrench.
- 5 Remove the (1) socket head cap screw (use a 3mm hex wrench) that retains the motor wiring harness P-clamp, then pull wiring to the rear of the machine.

⚠ WARNING!

Never work under machine without safety stands or blocking to support the machine.

- 6 Safely jack up or lift the front of the machine to a height of approximately 16 inches (41 cm) to remove the wheel motor spindle assembly. Place wood blocking under both front frame legs to support machine when removing the wheel /spindle assembly. **Service Note:** Be careful not to damage the threads and bearing surfaces when guiding the spindle shaft down through the frame opening.
- 7 Inspect bearings and shaft seal and replace as needed.
- 8 To remove the steer spindle weldment (K) you must remove the steer plate (J) (with splash fender) held by (4) (L) flat head socket screws (use a 5mm hex wrench) then separate the brake return spring and lay these removed parts to the side. Next remove the (4) item (M) flat head socket screws (55mm length) then finish removing the spindle weldment.
- 9 See the "Drive Tire Removal" section for further disassembly steps.
- 10 Re-assemble in reverse order and tighten the spindle shaft nut (F) to 20ft/lbs (27 Nm) to eliminate any bearing play.

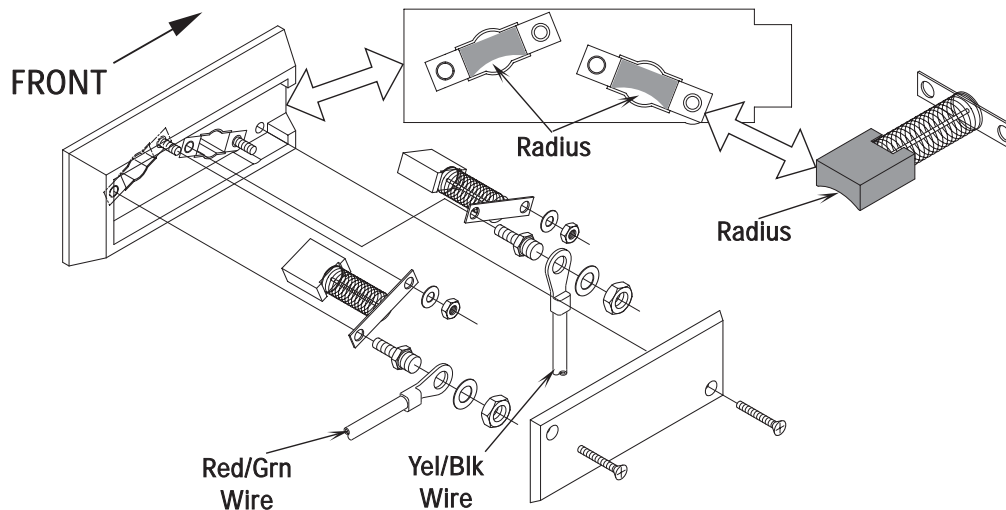


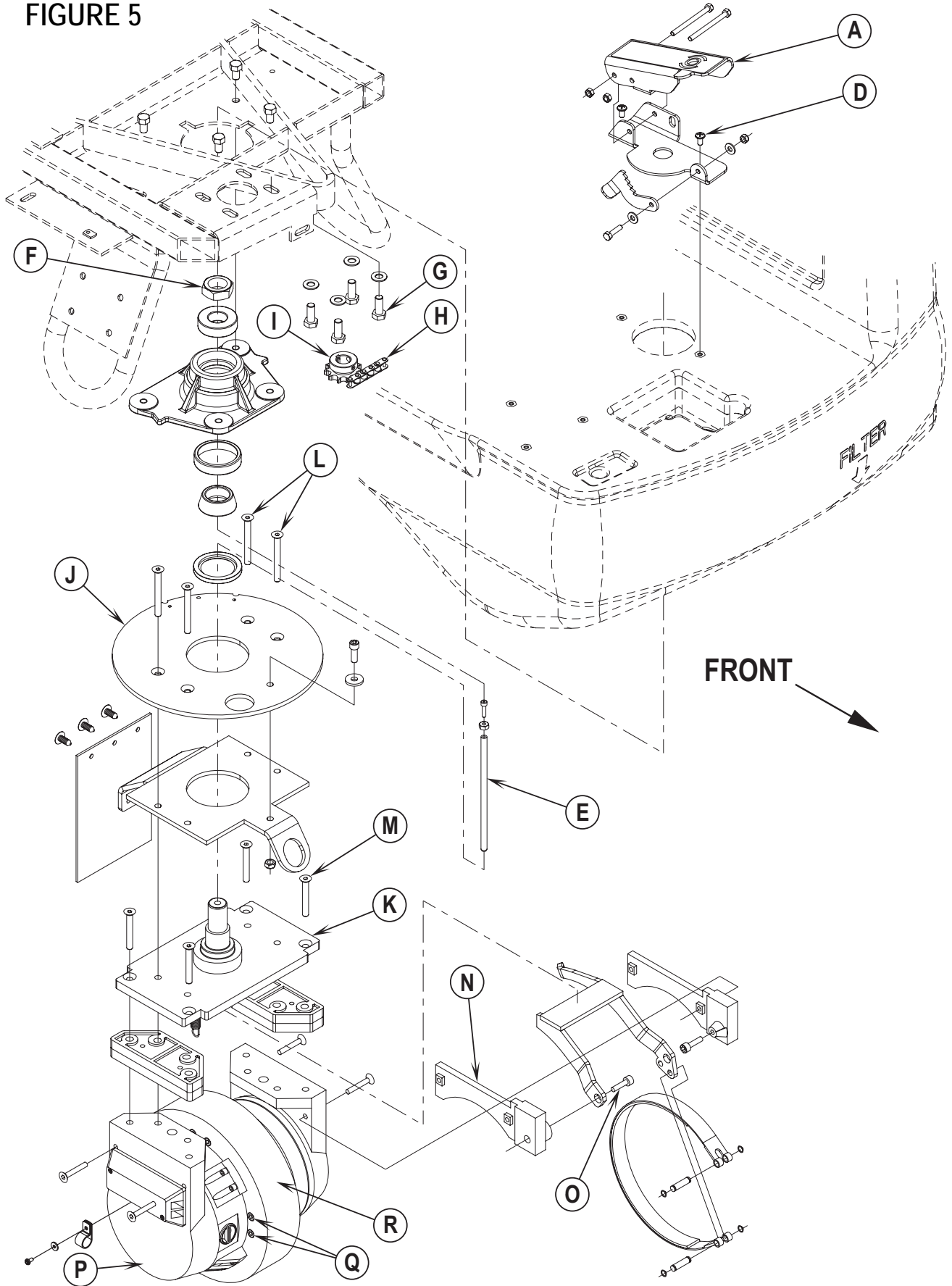
FIGURE 4.5

DRIVE TIRE REMOVAL

- 1 Follow the steps 1-8 in the "Steer Spindle and Wheel Drive Motor Assembly Removal" section.
- 2 See Figure 5. Remove the socket head cap screw (O) (use a 6mm hex key wrench) that fastens the right side brake lever to the support mount (N). Then separate the brake lever from the support mount.
- 3 Carefully separate (tap off) the motor end bell housing (P) from the main motor case. **Service Tip:** To remove the housing use a brass drift or piece of hard wood and strike the end bell edge evenly at points 120 degrees apart to slowly work it from the motor bearing.
- 4 Using a 5mm hex key wrench remove the (8) socket cap screws (Q) that secure the drive tire (R) to the motor drive hub and complete the tire removal.
- 5 Install a new drive tire and tighten (torque) the (8) socket cap screws (Q) to 12 Ft/Lbs (16.2 N/M). **Service Tip:** Apply a small amount of Loctite 242 to all the cap screws to prevent the fasteners from backing out.
- 6 Re-assemble in reverse order following all the steps outlined in the steer spindle and drive motor removal section.

WHEEL DRIVE SYSTEM

FIGURE 5

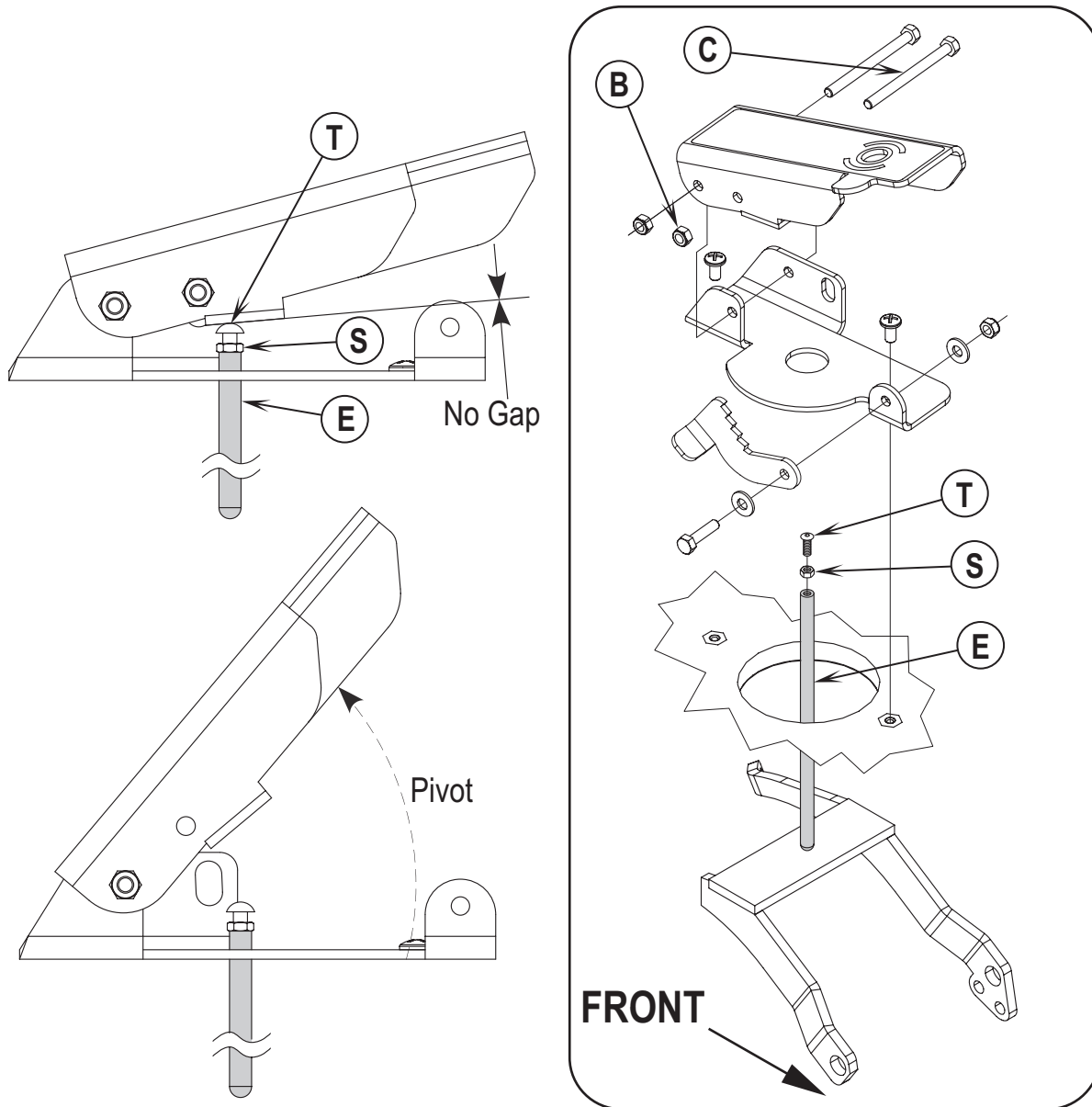


WHEEL DRIVE SYSTEM

BRAKE ADJUSTMENT

- 1 See Figure 6. Adjust the (E) brake rod's length to eliminate any foot pedal free play (space between the pedal and rod end) when the pedal is at rest (not being engaged).
- 2 The rod length can be changed by loosening the jam nut (S) and threading the adjustment screw (T) In or Out.
- 3 To access the brake rod remove the front pedal mounting hardware items (B & C), then swing (pivot) the pedal backwards out of the way.
- 4 Use a 3/8" wrench and 1/8" hex key wrench to both loosen and tighten the rods adjustable hardware.
- 5 Note: Also check the brake bands brake lining for wear when excessive pedal travel can not be eliminated through adjustments. Service by replacing worn brake band and readjust and test for proper brake operation.

FIGURE 6



DRIVE WHEEL BRAKE STRAP REPLACEMENT

⚠ WARNING!

Turn the key switch to the off position and then disconnect the battery pack by activating the emergency stop switch/battery disconnect lever (13).

- 1 See Figure 7. Remove from the brake band (U) the front lower outside retainer ring (V) (external type). **Service Tip:** Use retaining pliers (tip size .038 inches/1 mm) to prevent damage when removing all retainer rings. Then drive out the pin (W) from the brake band end.
- 2 Remove the socket head cap screw (X) (use a 6mm hex key wrench) that fastens the left side brake lever to the support mount (Y). Next separate the brake lever from the mount bracket and pull it down to access the back retaining ring and remove it at this time.
- 3 Remove the second mount pin then carefully expand the brake band enough to clear the drive wheel brake drum and remove from the machine.
- 4 To install the brake band follow the above steps in reverse order. See the "Brake Adjustment" section in this manual and adjust the brake pedal free play and test the brake system for proper operation.

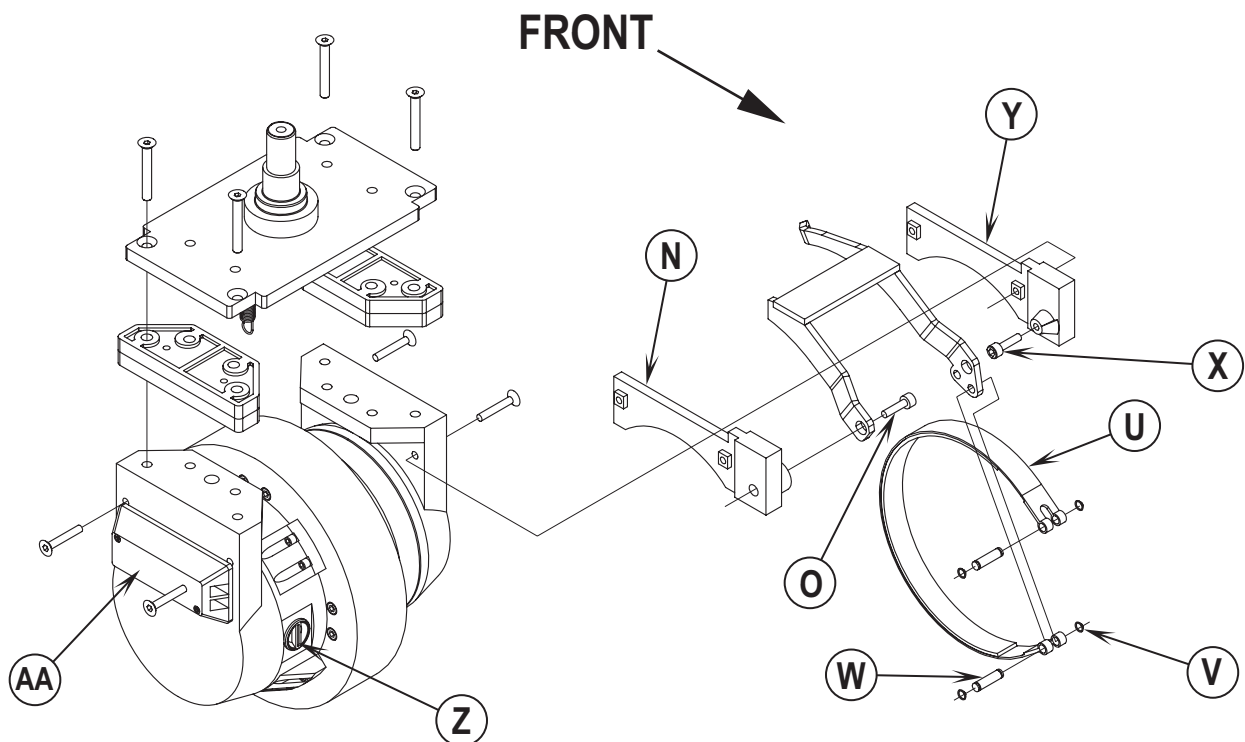
⚠ CAUTION!

Test-drive the machine and check for positive brake pedal and parking brake functions.

WHEEL DRIVE MOTOR CARBON BRUSH INSPECTION (500 HOURS)

- See Figure 7. There are (6) carbon brush assemblies, (4) of them are located equally spaced on the outside diameter of motor end bell cover. Remove the inspection caps (Z) by carefully twisting the cap a 1/8 of a turn counterclockwise. The other (2) brushes are located behind the motor wiring terminal cover (AA). Remove the black cover and terminal mounting hardware. **Note:** The (4) motor commutator brushes are secured with two slotted screws.
- A new carbon brush measures 20mm (.780 inches) in length. Replace the brushes when worn to a length less than 9.5mm (.375 inches).

FIGURE 7



WHEEL DRIVE SYSTEM

POTENTIOMETER REMOVAL AND TESTING

⚠ WARNING!

Disconnect the machine's battery pack connector (13) before servicing.

Potentiometer Removal

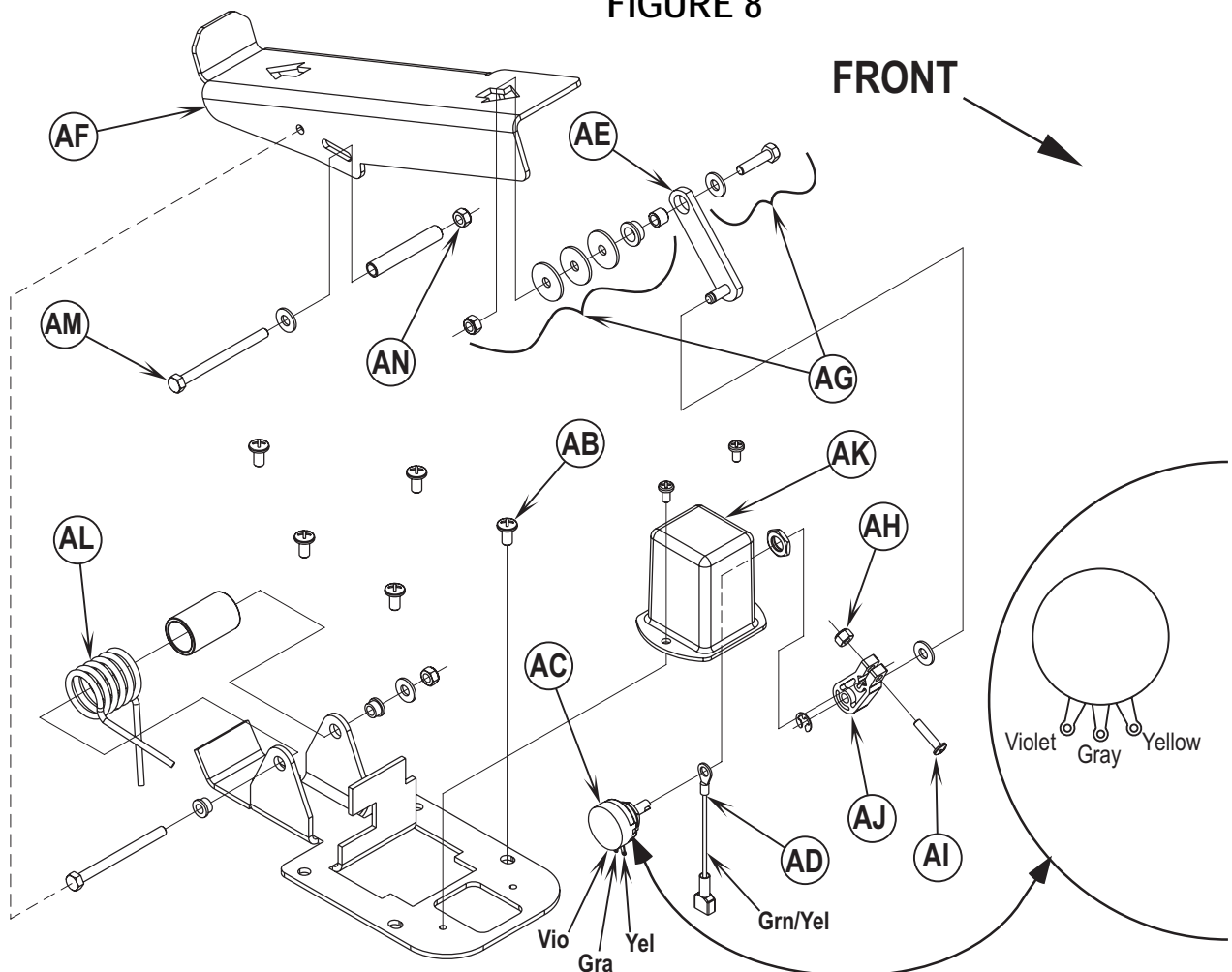
- 1 See Figure 8. Remove the (5) Screws (AB) securing the drive pedal mount assembly to the chassis then carefully lift the pedal assembly up and lay it on its side.
- 2 Observe the (3) wires connected to the Drive Pedal Potentiometer (pot) (AC) and also the single GRN/YEL throttle ground wire (AD), note the proper wire colors and their terminal connections for re-assembly. Then disconnect wiring and remove the pedal mount assembly from the machine.
- 3 Remove the Link Rod (AE) from the Pedal (AF). **Note:** Be careful not to lose the link rod mounting hardware items (AG).
- 4 Loosen the Nut (AH) and Screw (AI) at the drive pedal Throttle Lever (AJ). Then pry the lever off from the end of the item (AC) potentiometer shaft. Next remove the pot from the Mount Housing (AK).

Testing the Potentiometer

Note: The pot doesn't have to be removed from the housing to test.

- 1 Test the potentiometer using an Ohmmeter (the pot specification is 5K Ohms).
- 2 Connect the meter leads to each of the outside connections on the potentiometer. The meter should read approximately 5000 Ohms (plus or minus 500 Ohms).
- 3 Next, move one of the test leads to the middle connection and turn the stem in both directions. The range of the readings should be approximately 0-5000 Ohms or 5000-0 Ohms increasing and decreasing through its full range.
- 4 If you do not get these readings replace the potentiometer.

FIGURE 8



POTENTIOMETER INSTALLATION AND ADJUSTMENT

⚠ WARNING!

The adjustment of the potentiometer is to set the drive pedal for a neutral drive motor operation. If the pot is not adjusted properly, the machine will creep in either FWD or REV.

- 1 See Figure 8. Install the pot into the Mount Housing (AK) and tighten the attachment nut.
- 2 Connect loosely together both the Link Rod (AE) to the Pedal (AF), and the Throttle Lever (AJ) to the potentiometer input shaft. Then tighten only the Link Rod (AE) pedal mounting Hardware (AG). Note: Check the movement of the Foot Pedal (AF) it must move freely in both Fwd and Rev.
- 3 See Figure 8 inset. Attach test leads from a volt/ohm meter (set meter on 0x100 scale) to the YEL and VIO wire connection points on the potentiometer to check it's total resistance (example 4800 Ohms).
- 4 Next connect the ohmmeter test leads to the GRA and VIO potentiometer connection points. Then using a small screwdriver, turn the shaft end on the pot to half the total resistance previously measured. Example: 4800 Ohms divided by 2 = 2400 Ohms. Then without turning the shaft, tighten the Screw (AI) and Nut (AH) to secure the setting at the Throttle Lever (AJ).
- 5 Follow steps 1-2 in reverse order (see Potentiometer Removal steps) to finish the installation. Then test-drive the machine for proper speed and FWD/REV directional control.

DRIVE PEDAL NEUTRAL ADJUSTMENT & PEDAL REPLACEMENT

If the drive pedal has been removed or replaced, the neutral position for the pedal will have to be set. Follow the steps below to accomplish this.

⚠ WARNING!

Disconnect the machine's battery pack connector (13) before servicing.

- Note: See Figures 8 & 9. Before making any adjustments, inspect the Torsion Spring (AL) for defects and the correct positions of both spring ends (repair or replace).

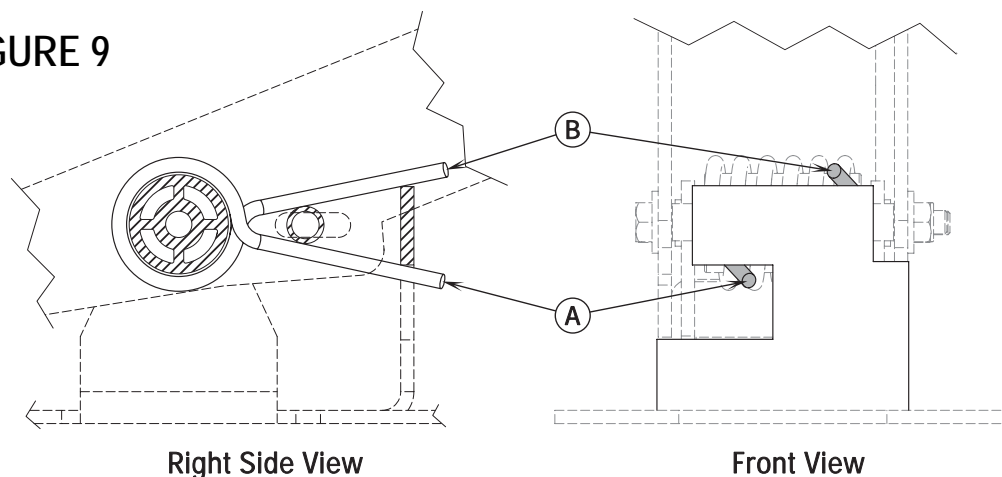
To Adjust Pedal Spring

- 1 Loosen the Screw (AM) & Nut (AN), the screw with bushing is positioned between both Fwd & Rev torsion spring ends. Its placement controls the needed pre-load pressure to eliminate excessive pedal free-play and a balanced spring rate to return the pedal to a centered (neutral) position.
- 2 Push the screw back into the pedal frame slot to increase spring tension and eliminate pedal free play. Then tighten the screw & nut being careful not to pull on the linkage connection to the pot shaft and disturb (move) its neutral setting.

To Replace Pedal or Spring

- 3 Position the torsion spring ends (A & B) as shown. This is with the bushing and screw not installed.
- 4 Place the bushing inside the pedal channel pilot it into position using a scratch awl or a pin punch.
- 5 Then pivot (press) the pedal and insert the screw from the opposite side pushing the guide tool out.
- 6 Use a screwdriver to tap and pry the bushing back in the pedal slot to increase spring tension.
- 7 Work the bushing back & forth on both sides of the pedal to obtain equal spacing. Then tighten the screw and nut.
- 8 A correctly adjusted drive pedal will have minimal amount of free-play when selecting a drive direction.
- 9 Reconnect the batteries and test the machine to make sure it does not "creep" forward or reverse when the pedal returns to neutral.
- 10 **Service Tip:** Also confirm the Hourmeter/Status Display (G) is free of the error code 03 (drive system fault). If error 03 is shown the throttle is not set properly for the potentiometer and or drive pedal neutral position. Check both again and readjust.

FIGURE 9



SCRUB BRUSH SYSTEM

FUNCTIONAL OVERVIEW

• Disc Brush System Overview

See Figure 2. The machines Adgressor 2820D-3220D and BR 850S- use the disc type scrub system. A single 1, 1-1/2HP 36V DC permanent magnet motor is connected at both ends with (2) 90-degree gearboxes that drive the two disc (rotary) brushes. The 3520D – 3820D models use the disc type scrub system also but with (3) .6HP 36V horizontally mounted DC permanent magnet motor gearbox assemblies.

• Cylindrical Brush System Overview

See Figure 6. The machines Adgressor 2820C, 3220C, 3520C, 3820C and BR 850CS use two cylindrical brushes that counter rotate to sweep up light debris and scrub at the same time. Each scrub brush is powered on opposing ends by individual 3/4 HP permanent magnet motors attached to separate poly-V belt/pulley drives.

• General Brush Overview

On all models the scrub deck platform is raised & lowered automatically by a vertically mounted electric lift actuator motor (M1). The operation of the machine's scrub functions are activated when the operator selects (presses) either the scrub pressure increase or decrease (mode) panel buttons. The scrub pad or brush pressure ranges (light & heavy) are independently programmable allowing the operator the choice to vary the scrubbing effort (pressure) while operating the machine. Note: See *the Main Control Board Special Program Options* section in this manual for more detailed operation and instructions to change scrub pressure settings.

See Figure 1. The machine's main scrub system input and output operating functions are regulated (managed) by the combined membrane switch display panel and main control board E1. The major scrub system functions are...

• Scrub Brush Motor Run Function

To turn On (energize) the K1 brush motor solenoid either the scrub pressure increase or decrease button (location E1 panel) must be pressed and the (foot activated) drive pedal moved off its neutral position triggering an output from the R1 directional throttle potentiometer. These two-operator functions deliver the required E1 control board and A1 speed control circuit inputs.

Detailed Explanation of the scrub motor function

A closed E1 membrane panel switch input (either decrease or increase) enables the E1 microprocessor automatic functions for the brush lift, **brush solenoid**, solution solenoid, vacuum solenoid and squeegee lift. The next step is the movement of the foot pedal for the needed R1 throttle output to the A1 speed controller, which causes either FWD or REV motor action. At the moment of R1 throttle input the A1 controller closes an internal coil driver and outputs a NEG. 36V signal from pin #7 (wire color Red/Blk) to the E1 J4-10 connection. This input signal causes the controller to output a NEG. 36V signal from J2 pin #1 (wire Wht/Red) that energizes the K1 brush motor solenoid coil pulling in the high current contactor making the brush motor(s) turn on (run).

• Scrub Brush Actuator Lift Motor Function

The control board outputs activate (raise and lower) the scrub-deck for installing, removing and controlling the scrub brushes' selected current load. The negative (-) brush motor wire is specially designed so that it has a known (specified) resistance value. As brush motor current passes through the negative wire that is, in effect, a low value resistor, a small voltage is measured across it which is proportional to the motor current. This current measurement circuit (shunt) is made up of two small diameter sense wires (J4-12 Yel/Vio & J4-8 Blk) and are the inputs used by the control board to calculate the exact current level of the scrub brush motor(s). Any temperature change to the large (Neg.) motor wire affects its resistance so the circuit temperature is sensed by a thermistor (*) built into the control board. This allows the controller to provide a level of error correction for the temperature resistance changes. When the controller senses a current draw out of the desired range it automatically turns on the M1 actuator motor to raise or lower the scrub deck. This process is on-going in maintaining the operator's selected scrub motor current load (PA #) to sustain the desired brush working pressure.

• Low Voltage Cut-Out Function

The purpose of the low voltage cutout function is to help prolong battery life. The main control board E1 is programmed to monitor the machine's battery pack voltage to prevent over discharging of the batteries. The brush motors, brush lift actuator and solution solenoid valve will turn OFF automatically and cease to function when the batteries are discharged to the selected cutout level. The cutout level is adjustable between two settings. The standard battery type (wet cell) is 31.5 volts (1.75 volts per cell) and maintenance free battery (gel) is 33 volts (1.83 volts per cell). Note: See the Electrical System for instruction in selecting (setting) the two different thresholds.

* Thermistor: A special semiconductor resistor whose resistance value varies with temperature.

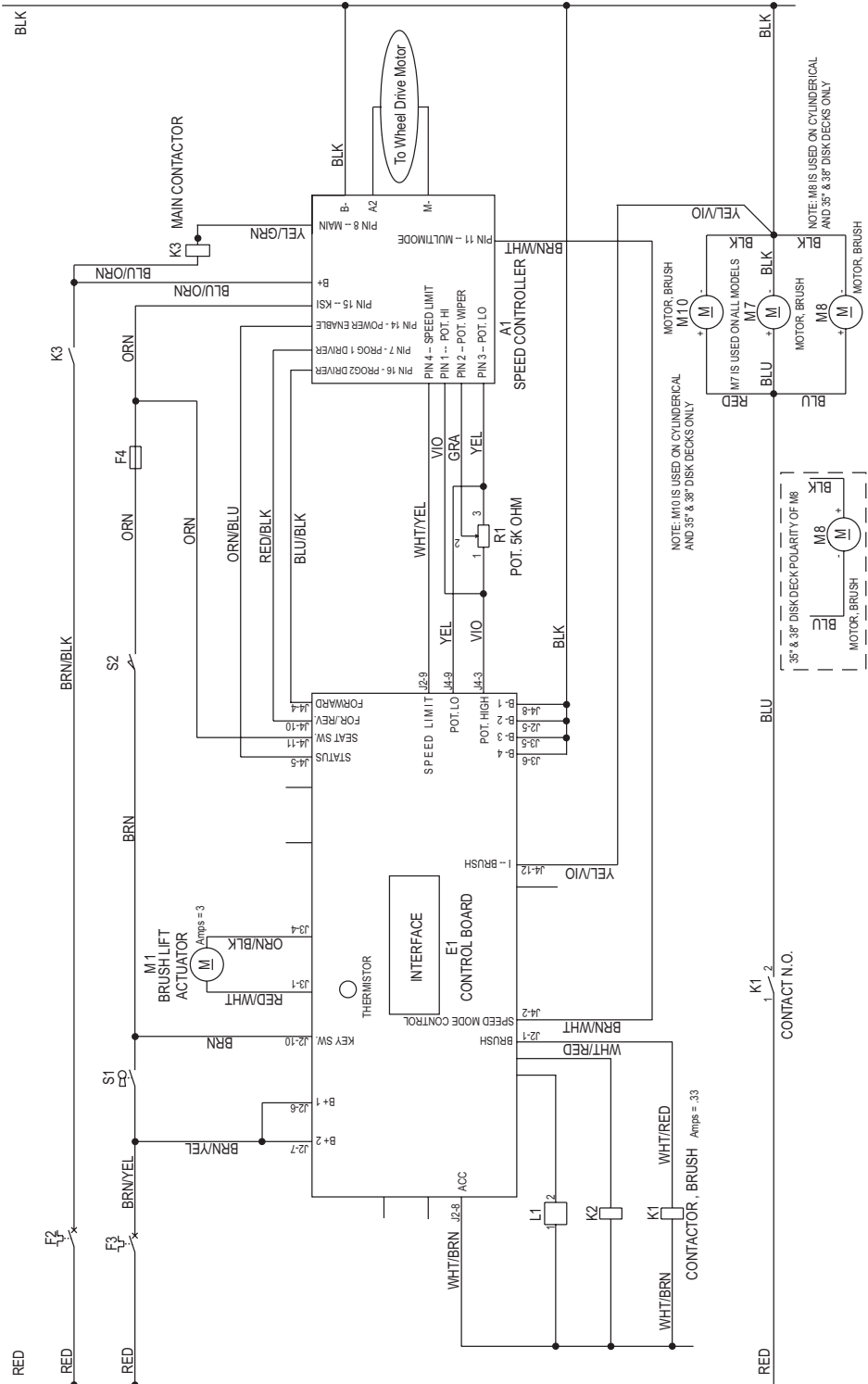
Note: See the "Know Your Machine" section in this manual for a complete explanation for all scrub system operational modes.

SCRUB BRUSH SYSTEM

SCRUB BRUSH SYSTEM TROUBLESHOOTING

On all models (disc & cylindrical) the scrub system's major electrical components are monitored by the main controller (E1) to detect any system function failures (error codes). The system components covered are the brush motor(s) (M7 & M8), brush solenoid (K1) and brush lift actuator motor (M1). Detected error codes from the main controller are displayed on the hour meter LED display (G) as they occur. Note: Reference the *Main Control Board Troubleshooting Guide* in the Electrical System of this manual for specific fault descriptions and service repair actions.

FIGURE 1



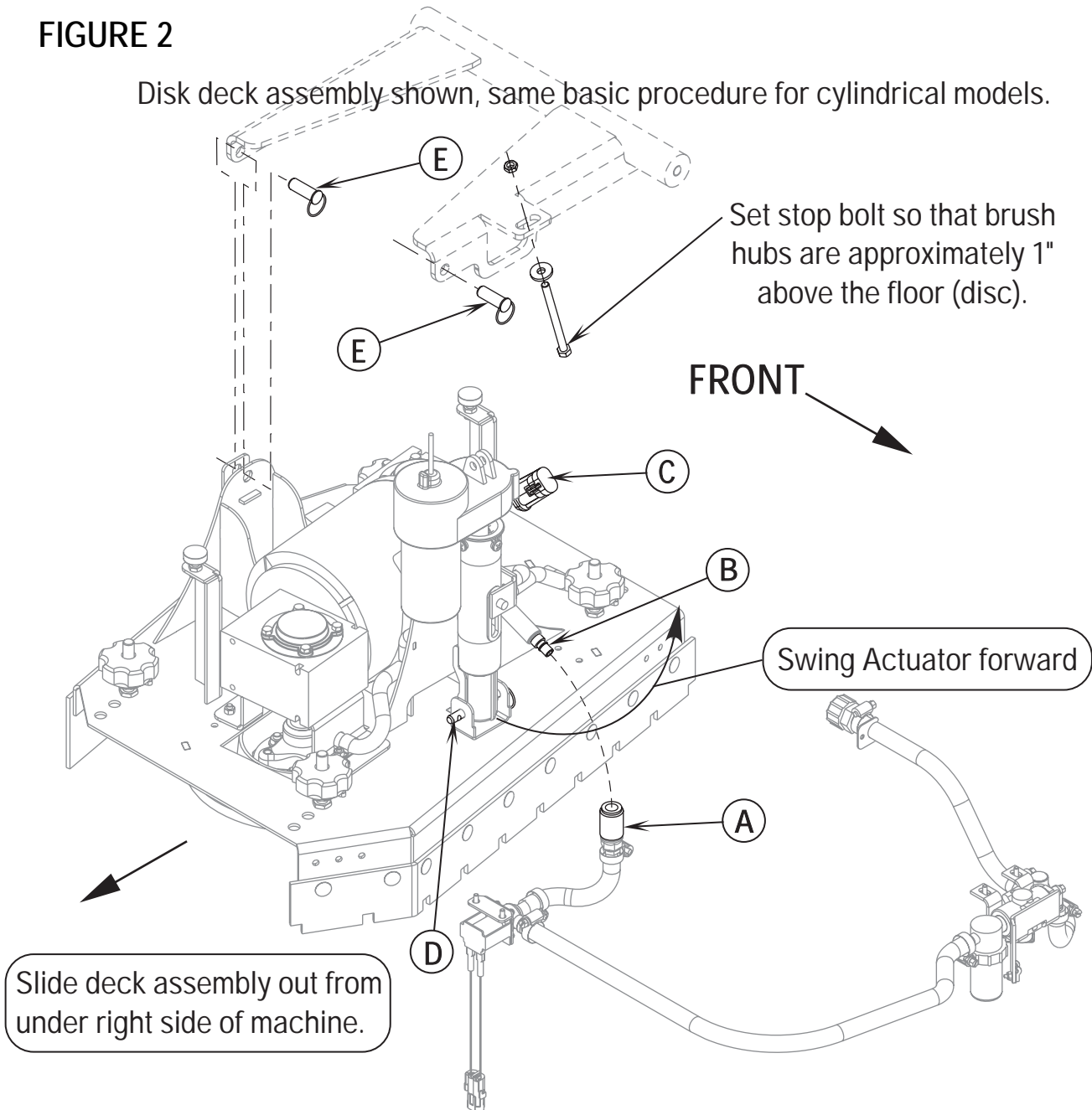
SCRUB BRUSH SYSTEM

SCRUB BRUSH DECK REMOVAL (DISC & CYLINDRICAL)

- 1 Remove both deck side skirt assemblies. **NOTE:** This step is optional, you may find deck removal easier with the skirts removed.
- 2 Lower the scrub deck with brushes (pads) installed. **ATTENTION:** Don't turn the key switch off until after disconnecting the battery pack by pushing in (activating) the Emergency Disconnect (13). This procedure is done to prevent the scrub deck from automatically raising when the key is turned off.
- 3 See Figure 2. Separate the solution system water line (quick disconnect fittings), located on top of the scrub deck. Grip the bottom movable Sleeve (A) on the quick disconnect fitting assembly and pull on the top Fitting (B) to separate the hoses.
- 4 Unplug the brush motor wiring harness (C) (under left side of machine).
- 5 Remove the lower Hitch Pin (D) that secures the brush deck lift actuator to the scrub deck.
- 6 Remove the two (E) Hitch Pins that attach the scrub deck to the machine chassis linkage arm weldment.
- 7 From the right side of the machine swing the lower actuator housing forward to clear the deck mount bracket. Then pull the deck out from under the machine to complete the removal. **Service Note:** It is important that the actuator motor is not run while it is disconnected from the deck or chassis mounts. This precaution will prevent the actuator drive nut from being misadjusted (moved out of its set specification).
- 8 To install a scrub deck follow the above steps in reverse order.

FIGURE 2

Disk deck assembly shown, same basic procedure for cylindrical models.



SCRUB BRUSH SYSTEM

SCRUB BRUSH MOTOR ASSEMBLY REMOVAL (DISC)

Service Note: The items listed; shaft dust covers, keys, output shafts, shaft mounting hardware and gear-box mounting brackets, must be salvaged (saved) and reused when replacing the complete motor and gear-box assembly. As shown in Figure 3.

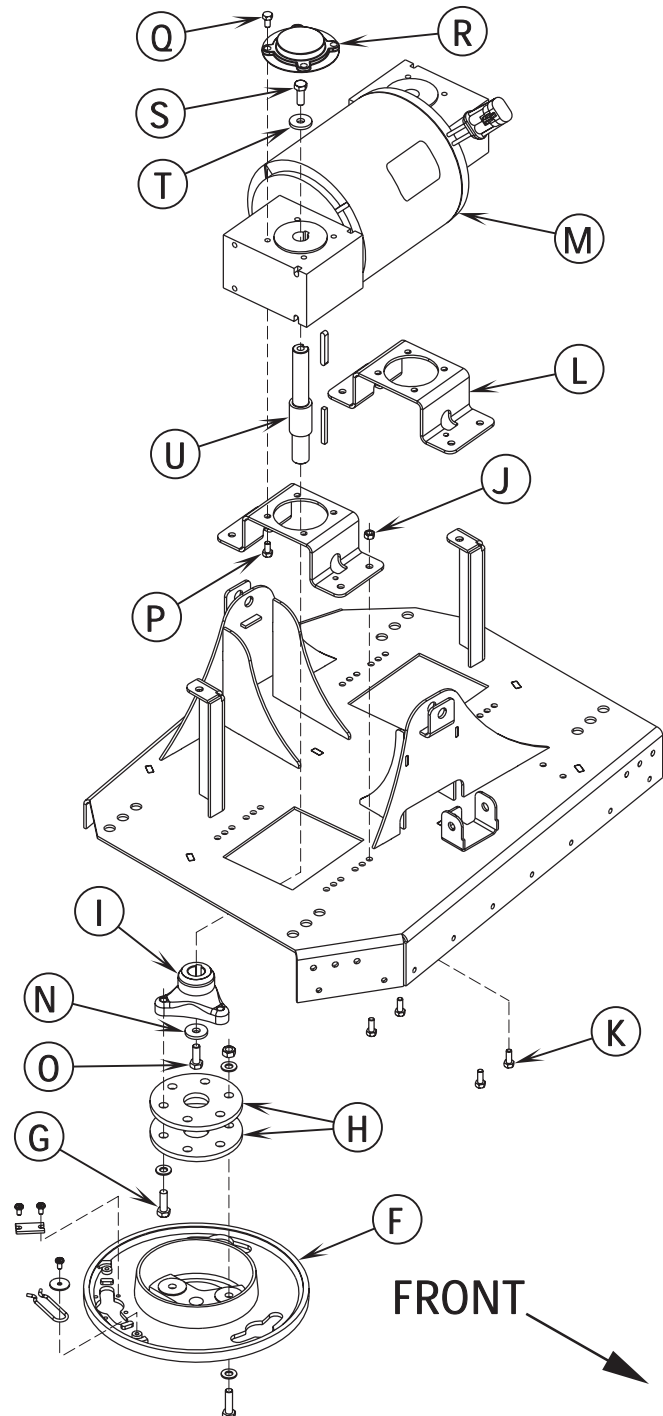
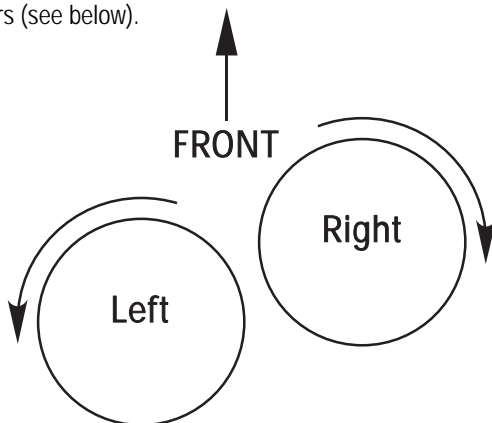
- 1 Follow steps 1-7 of the *Scrub Brush Deck Removal (Disc & Cylindrical)* section.
- 2 See Figure 3. Remove the scrub brushes from the Brush Holders (F).
- 3 Remove the (3) Screws (G) from each thermoid disc (flexible coupler) (H) and remove the Brush Holders (F) from both (I) Hubs. Note: Use a 13mm socket wrench to remove Screws (G).
- 4 Remove all (8) hardware items (J & K) that secure the gear case Mount Brackets (L) to the scrub deck plate. Then remove the complete Motor Assembly (M) from the scrub deck by pulling it straight up.
- 5 Remove the (8) hex Screws (P) that secure the Mounting Brackets (L) to the gearboxes and separate.
- 6 Remove the (8) (Q) Screws (use a 5mm hex wrench) that hold in place the Dust Covers (R). Next remove the shaft retainer hardware items (S & T). Then tap out the Output Shaft (U) using a brass shaft to help prevent any possible damage.
- 7 Re-assemble in reverse order and test for proper operation. Note: The proper motor installation position is where the two motor wires face the front and left side on the scrub deck platform.

FIGURE 3

SCRUB BRUSH GEARBOX REMOVAL AND OUTPUT SHAFT REPLACEMENT (DISC)

- 1 Follow steps 1-7 of the *Scrub Brush Deck Removal (Disc & Cylindrical)* section and steps 2-6 of the Scrub Brush Motor Removal (Disc) section.
- 2 See Figure 3. Remove the hardware items (N & O) that secure the Hub (I) to the Output Shaft (U) then pull the hub from the shaft and save the key. Note: Skip this step if shaft does not need to be replaced.
- 3 Remove the (4) socket head cap screws (use a 5mm hex wrench) securing the gearbox that needs replacement.
- 4 Re-assemble in reverse order and test for proper operation. Service Tip: Apply a small amount of grease or "Never Seize" to the gearbox output shafts when reinstalling the drive Hub(s) (I).

Note: The gearbox output shafts rotate the brush holders in the opposite direction of other Nilfisk-Advance automatic scrubbers (see below).



SCRUB BRUSH SYSTEM

SCRUB BRUSH SIDE SKIRT REPLACEMENT (DISC)

- 1 See Figure 4. Loosen the (4) side skirt Retainer Knobs (V) (2 per side) and pull the Skirt Assemblies (W) off from the scrub deck.
- 2 Remove all the hardware that holds the blade and retainer to the skirt housing.
- 3 Each of the (2) blades has 2 working edges. Reinstall the blades to the skirt housing so a clean, undamaged edge points inside towards the scrub brushes. Replace the blades as a set if they are nicked, torn or worn beyond their ability to be adjusted.
- 4 Reinstall the skirt housing assemblies onto the machine and adjust the blade for proper contact to the floor when the brush deck is placed in the scrub position.

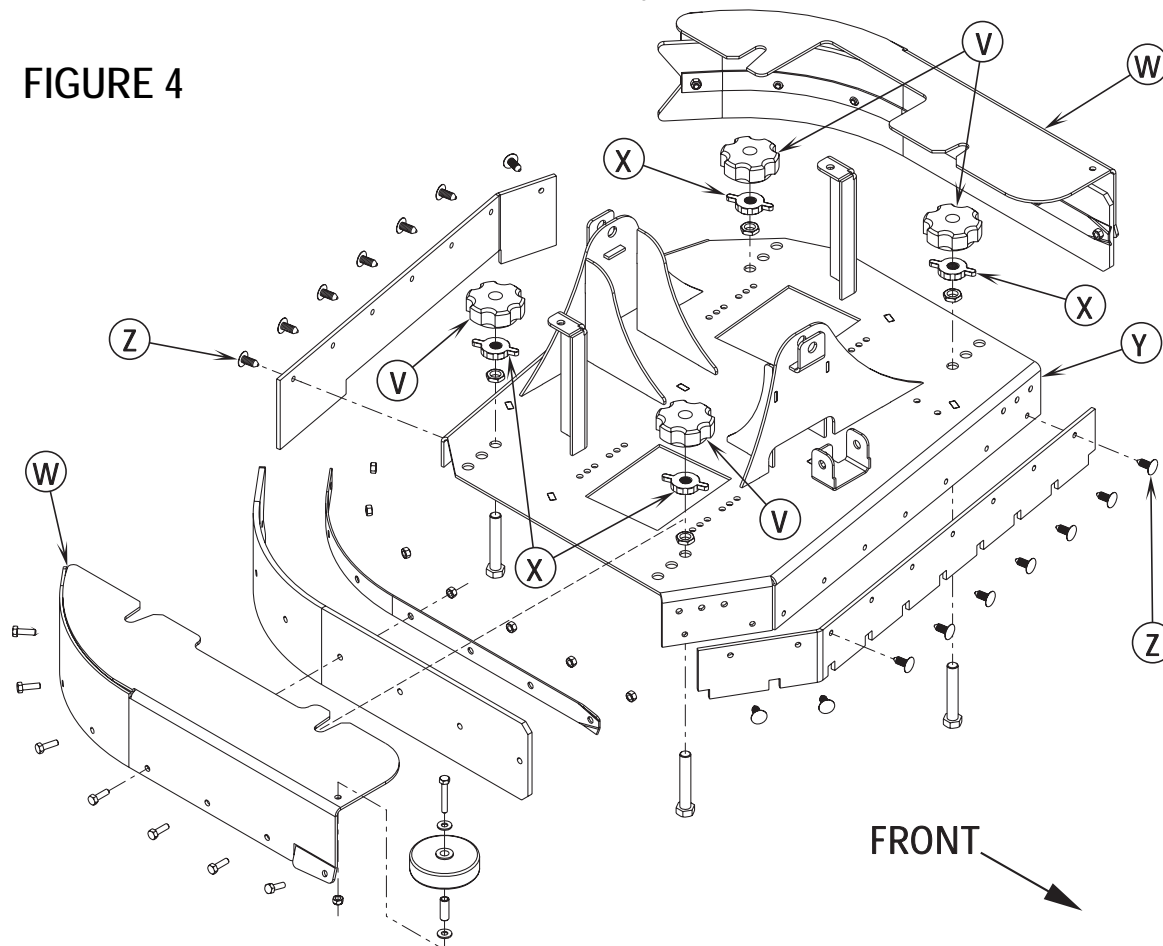
SIDE SKIRT HEIGHT ADJUSTMENT (DISC)

- 1 See Figure 4. The side skirt housing knob retainer screw studs have leveling Adjuster Collars (X), that are to be raised or lowered to compensate for blade wear.
- 2 To adjust, remove the Skirt Assemblies (W) from the Scrub Deck (Y) to access the Adjuster Collars (X). Adjustment Tip: The skirts Retainer Knobs (V) can be loosened with skirts left on and the Adjuster Collars (X) rotated by reaching under the skirt housing.
- 3 Turn the Adjuster Collars (X) (Up or Down) to where the blades just fold over enough when scrubbing that all the waste water is contained inside the skirting. Note: Make small adjustments to obtain good blade wiping. Do not lower the blades too much to where they fold over excessively and cause unneeded blade wear.

SCRUB BRUSH DECK FRONT/REAR SKIRT REPLACEMENT (DISC)

- 1 Replace with new blades when they are nicked, torn or worn beyond their ability to contain brush wastewater within the skirting.
- 2 See Figure 4. A quantity of 16 or 18 Panel Fasteners (Z) must be removed to allow the skirt material to be replaced. Method A: The easiest method to access the fasteners is to remove the scrub deck. Method B: Place the scrub deck in the Up position, then remove both the left and right side skirt assemblies from the machine.
- 3 Cut the panel fastener heads off using a chisel or pry the heads out from the deck mounting holes using a large screwdriver or thin piece of metal. Note: The panel fasteners are not designed to be reused.
- 4 Install the new skirts with new panel fasteners tap them into the mounting holes with a soft-faced hammer.

FIGURE 4



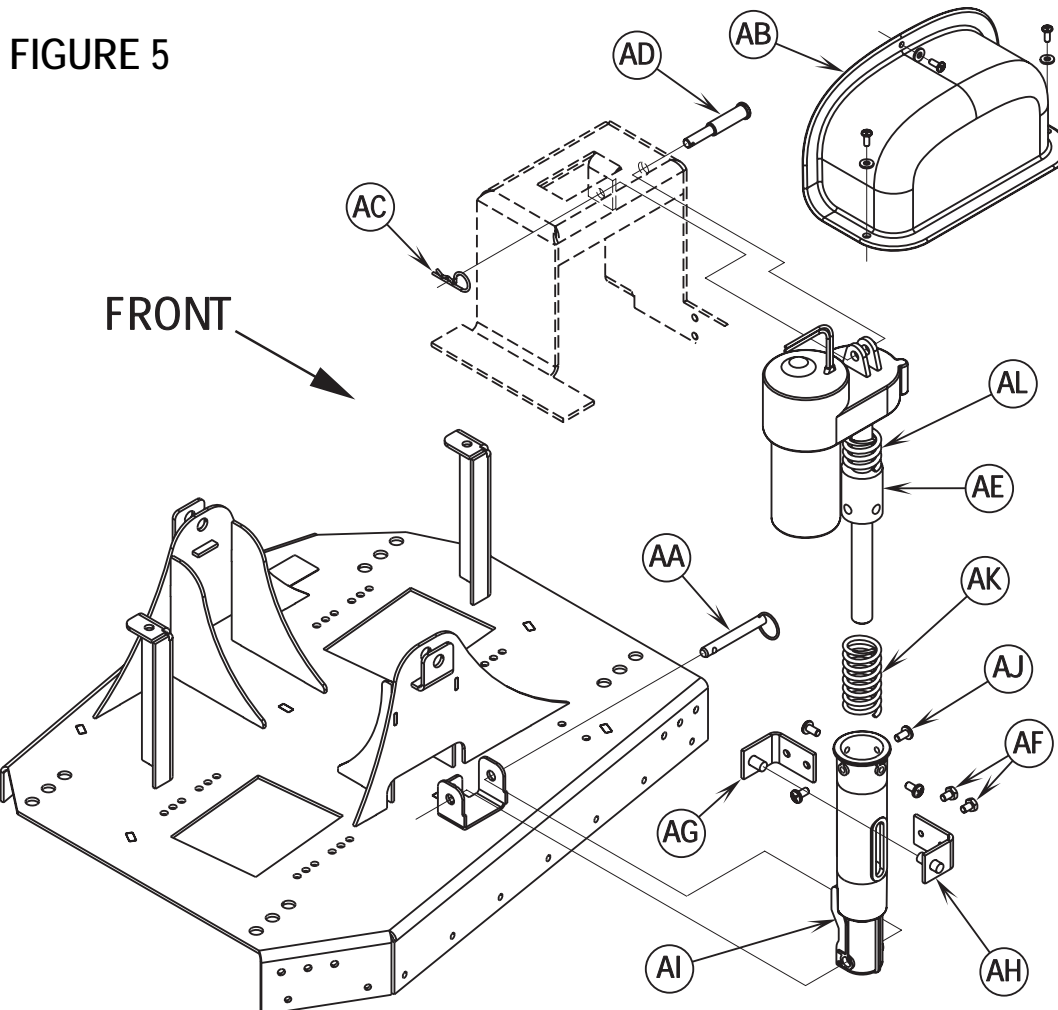
SCRUB BRUSH SYSTEM

BRUSH DECK ACTUATOR REMOVAL (DISC & CYLINDRICAL)

- 1 Lower the scrub deck with the scrub brushes installed. Don't turn the key switch off until disconnecting the battery pack by using the emergency disconnect lever (13). This procedure is done to prevent the scrub deck from automatically raising when the key is turned off.
- 2 See Figure 5. From underneath the machine remove the clevis Mount Pin (AA) that secures the lower actuator housing to the scrub deck mount bracket.
- 3 Disconnect the brush lift motor wire harness at the motor.
- 4 Remove the top actuator (inspection) Cover (AB) held with (3) screws. Cover location operator's compartment below front of seat.
- 5 Remove the Hairpin (AC) then slide the upper Mount Pin (AD) out from the chassis mount bracket.
- 6 Remove the complete actuator lift motor assembly from underneath the machine. **Note:** Do not turn or reposition the drive nut on the actuator shaft, mark if needed.
- 7 **Important:** After removing the actuator motor and before replacing a new motor or drive nut the IN & OUT limit switches must be set (or checked) to their correct dimensional specifications (see the electrical section for the Actuator Drive Nut Adjustment instructions).
- 8 To disassemble the Drive Nut (AE) from the actuator shaft, remove the (2) Screws (AF) and separate both Retainers (AG & AH) from the Spring Housing (AI).
- 9 Remove the (4) spring housing retainer Screws (AJ) and slide the spring housing and (long) Compression Spring (AK) from the actuator shaft. Next spin the drive nut off the shaft and save the top (short) Compression Spring (AL). **Note:** See the Actuator Drive Nut Adjustment section in this manual to properly install a new drive nut.
- 10 After adjusting the drive nut follow steps 1-9 in reverse order to re-install the scrub deck lift motor in the machine.

Service Tip: Wrap a small amount of tape around the spring housing to prevent it from spinning out of adjustment.

Service Tip: Shown in the Electrical System is the actuator power cord adapter PN 56407502 and instructions for use. This tool can be used to help position (raise or lower) the drive nut housing for ease in the actuator mounting pin installations. An additional method to control the output to the pad/brush lift actuator for installation and removal is to read the instructions in the *Service Test Mode* section for the special output control of the Scrub Pressure Increase Switch (F) (See Electrical System for steps to enter the *Service Test Mode*).



SCRUB BRUSH SYSTEM

SCRUB BRUSH MOTOR(S) REMOVAL (CYLINDRICAL)

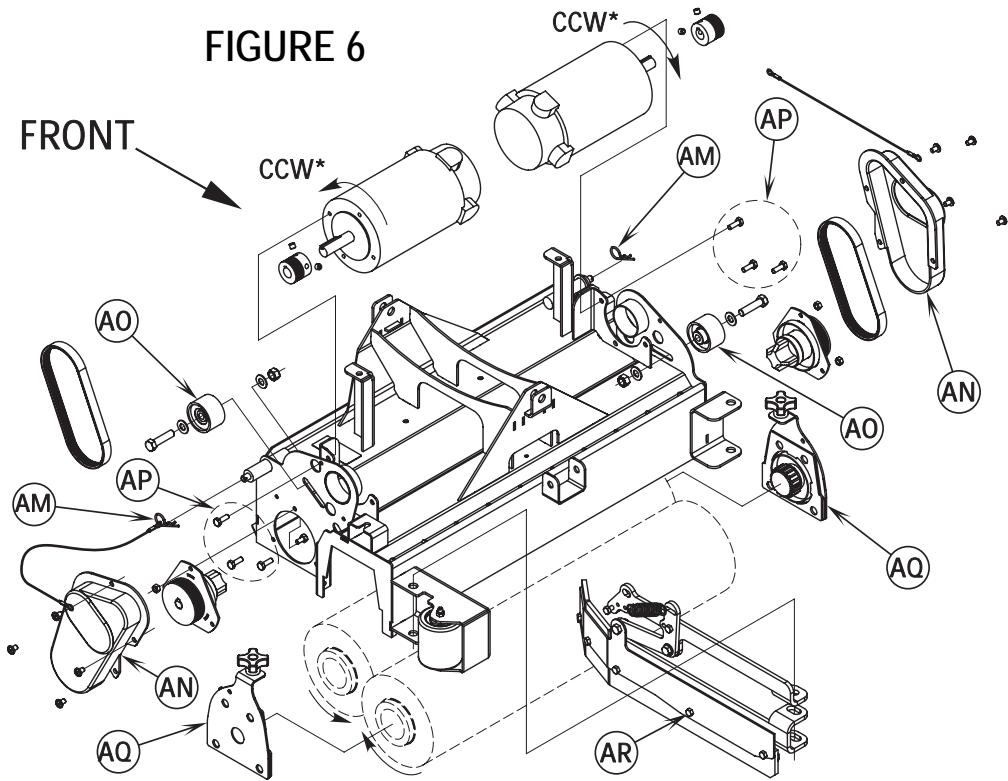
- 1 See Figure 6. Remove the Hairpin (AM) from both the scrub deck skirt assemblies and swing them open.
- 2 Next remove the Belt Guards (AN) (4 screws per side). With an operator in the driver's seat with the key switch ON and the increase scrub function selected press the drive pedal to start the scrub brushes and observe which brush motor needs to be removed.

⚠ WARNING!

Disconnect the battery pack by activating the emergency stop switch/battery disconnect lever (13) before servicing.

- 3 Next loosen the scrub brush belt tension Hex screw in the center of the Belt Idler (AO) (using a 5/8" wrench).
- 4 See Figure 8. Remove the wiring at both the Pos. & Neg. brush motor terminal studs and note the correct wiring connections (for reinstallation). Then remove the (3) Screws (AP) and lift the motor out from the scrub deck.
- 5 Reassemble in reverse order and adjust the belt tension to 1/2-9/16 inches (13-14 mm) as shown in Figure 7. Note: Install motors with wires pointing to the rear towards the plastic motor wiring standoffs.

* Rotation from shaft end.



SCRUB BRUSH BELT REPLACEMENT (CYLINDRICAL)

⚠ WARNING!

Disconnect the battery pack by activating the emergency stop switch/battery disconnect lever (13) before servicing.

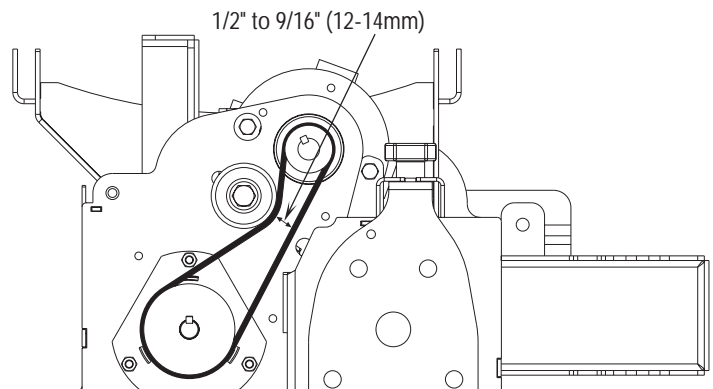
- 1 See Figure 6. Remove Hairpin (AM) and swing open the scrub deck skirt assembly (right or left side) and remove the belt guard(s) (AN) (4 screws each).
- 2 **Important Service Tip:** The left and right side drive belts are not the same lengths they must be ordered individually (P.N. 56407465, left side & P.N. 56407466, right side).
- 3 Loosen the scrub brush belt tension hardware on the Belt Idler Pulley (AO) (using a 5/8" wrench). Pull the idler wheel away from the backside of the belt and roll the belt off both the motor and brush pulleys. Then inspect for wear and replace as needed.
- 4 Re-install the drive belt and tension the belt as shown in Figure 7. Then install the belt guard, reconnect the battery pack and test the scrub system for proper operation.

SCRUB BRUSH SYSTEM MAINTENANCE

The scrubbing system must be serviced at regular intervals to maintain good scrubbing performance. Follow the maintenance steps listed below.

- 1 Rinse clean, built up debris from the debris hopper drain holes (daily).
- 2 Clean drain holes in the solution delivery trough on top of the scrub deck (weekly).
- 3 Clean built up dirt from the inside of the scrub brush housing (weekly).
- 4 Remove any string wrapped around the scrub brush, drive hub and idler hub (weekly).
- 5 Remove both the scrub brushes and rotate, turn end for end (weekly). See *Scrub Brush Removal and Installation (Cyl)* section.
- 6 Inspect the scrub brush bristles for wear, the brushes should be replaced when the bristle length is 1 inch (26 mm) or less (monthly).

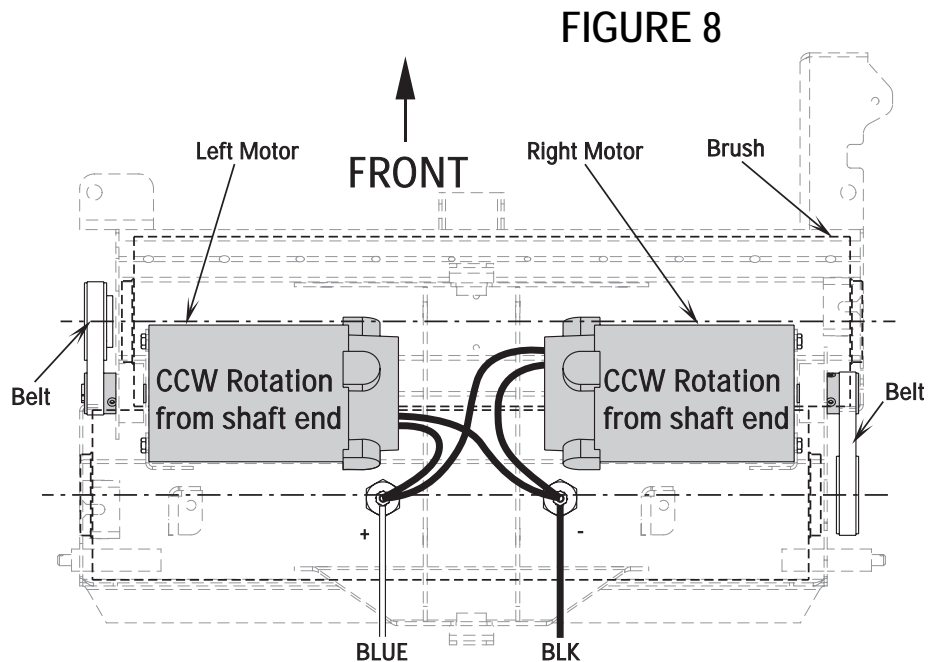
FIGURE 7



SCRUB BRUSH SYSTEM

SCRUB BRUSH REMOVAL AND INSTALLATION (CYLINDRICAL)

- 1 Make sure the key switch is off and disconnect the battery pack before servicing.
- 2 To access the brushes, swing open both the side skirt assemblies. See Figure 6. Note: The skirts are held in place by Hairpins (AM) on each side, remove the pins and swing the skirt assemblies out of the way.
- 3 Loosen the black knobs (one on each side) that secure the removable bearing idler support Plate (AQ) to the brush housing, then pull the plates down and out to remove. Grip the scrub brush then pull and slide it out from the housing end.
- 4 To install the brush slide it into the housing, lift slightly, push and turn until it seats into the drive end assembly.
- 5 Re-install the idler end plate assemblies, close the skirt assemblies and secure with the hairpins.



SIDE SKIRT MAINTENANCE & ADJUSTMENT (CYLINDRICAL)

General Overview: The side skirts function is to channel the wastewater to the rear pick-up squeegee, helping contain the water within the machine's cleaning path. During normal use the blades will wear in time. The operator will notice a small amount of water leaking out underneath the side skirts. The skirt height adjustment is automatic on this system using spring tension and movable linkage arms to control the blade pressure. The side skirt assemblies must move up and down freely for proper operation.

To replace the scrub system side skirts...

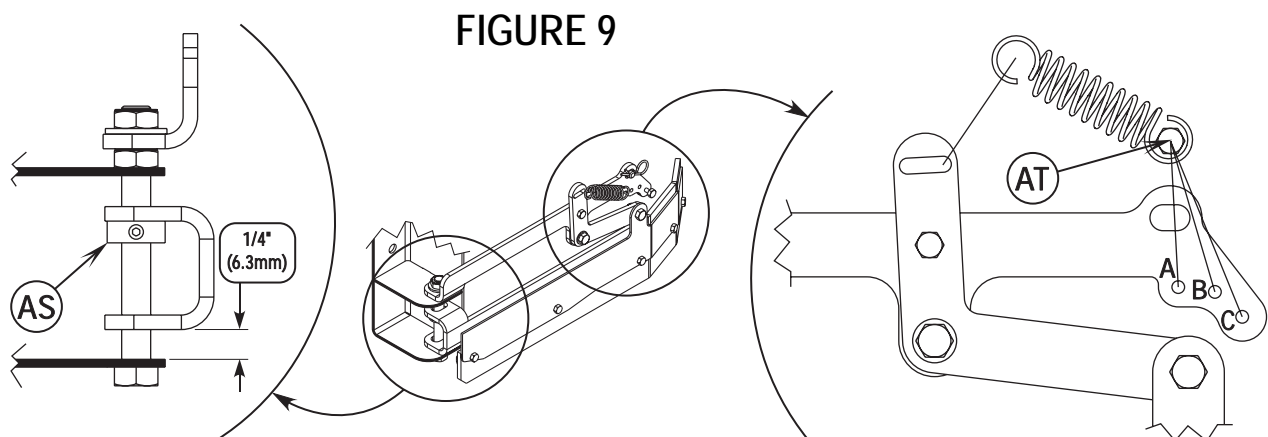
- See Figure 6. Remove the (2) Hairpins (AM) and swing the skirt assemblies open. Remove the (AR) Screws and nuts then remove the skirts and replace.

To adjust the scrub system side skirts...

Note: The side skirt blade assemblies have two minor adjustments, they are the individual front collar height and the rear blade pressure spring.

See Figure 9. The Stop Collar (AS) is installed on the pivot hinge bolt to help control the front skirt mount bracket's travel when the scrub deck is lowered. It limits the front of the blade from folding (curling) under when scrubbing. Thus allowing the blade to hold its shape better, reduce blade damage and wear.

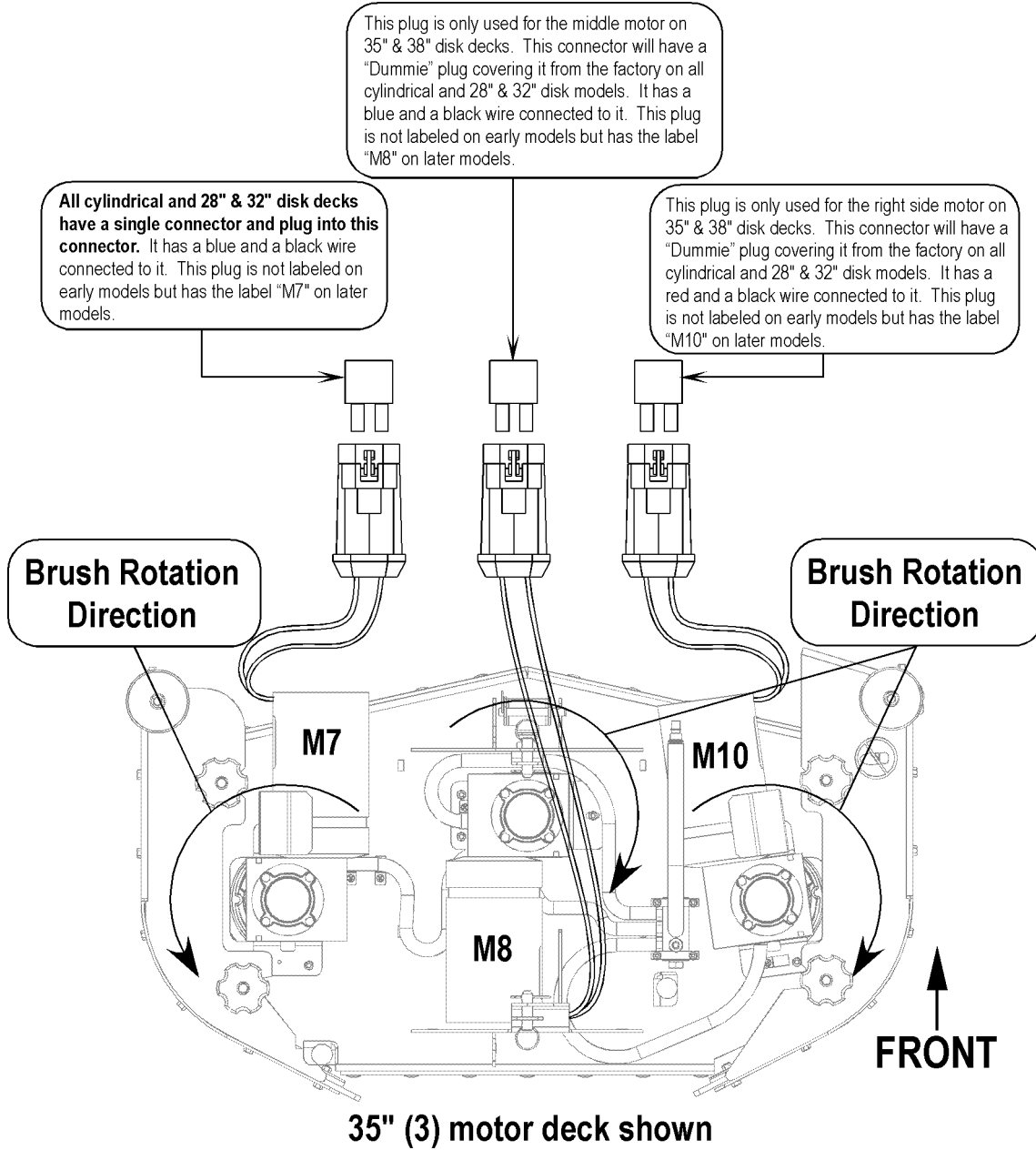
A limited amount of adjustment for general blade wear and squeegee wiping performance can be made by reinstalling the spring attachment Screw (AT) into a different mount hole (A, B or C). This change will increase or decrease the spring force (pressure) pulling down on the rear edge of the skirt blade. Position "C" creates maximum down pressure on the blade and position "A" is minimum pressure.



SCRUB BRUSH SYSTEM

CORRECT SCRUB MOTOR WIRING CONNECTIONS

FIGURE 10

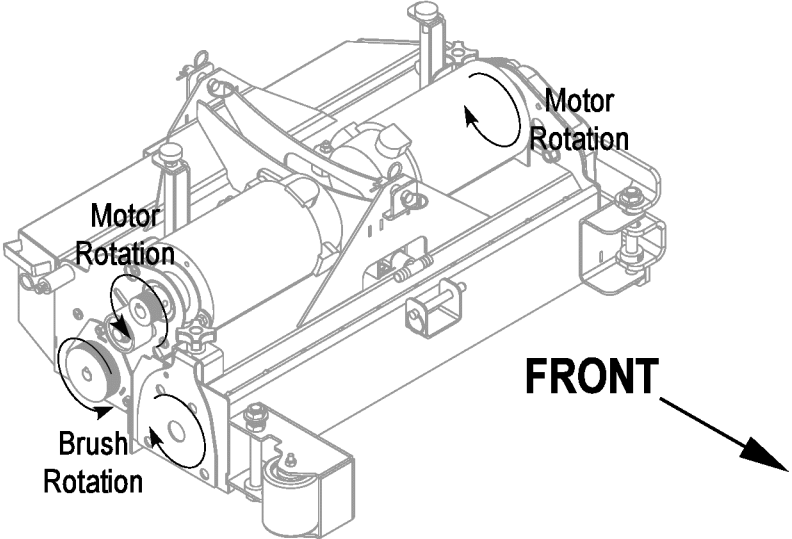


SCRUB BRUSH SYSTEM

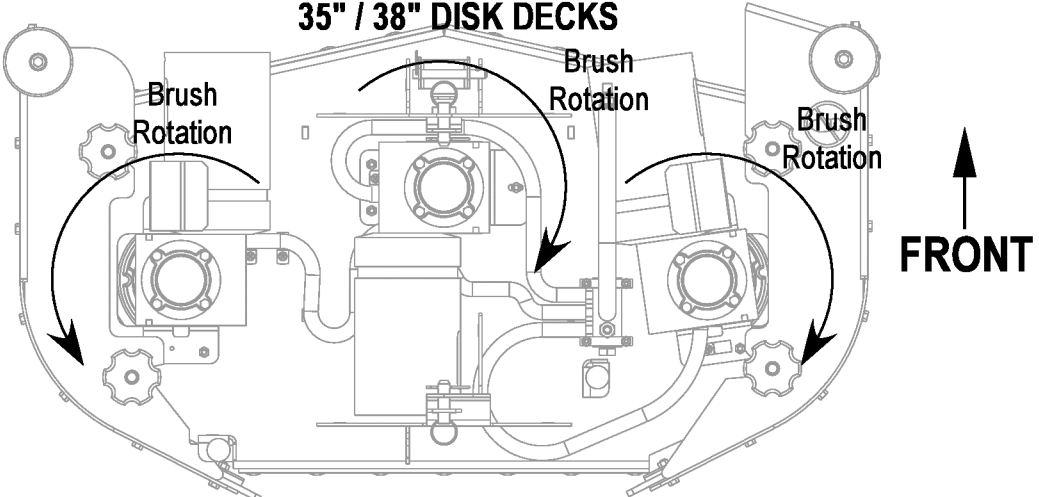
CORRECT BRUSH ROTATION DIRECTIONS

FIGURE 11

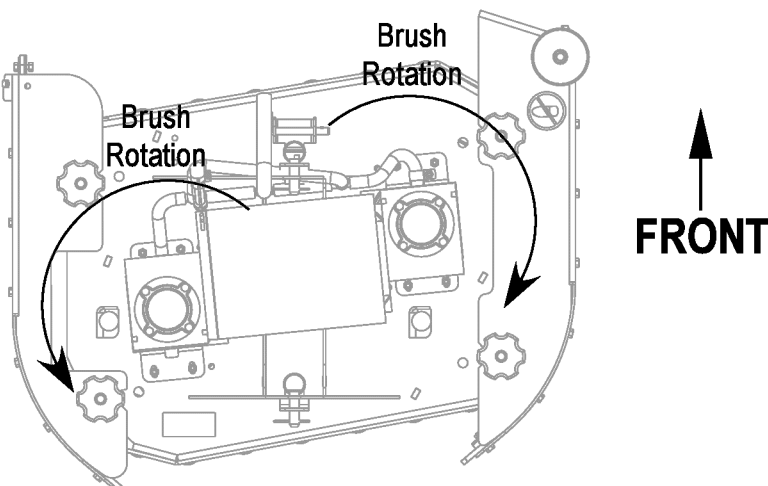
ALL CYLINDRICAL DECKS



35" / 38" DISK DECKS



28" / 32" DISK DECKS



SOLUTION SYSTEM

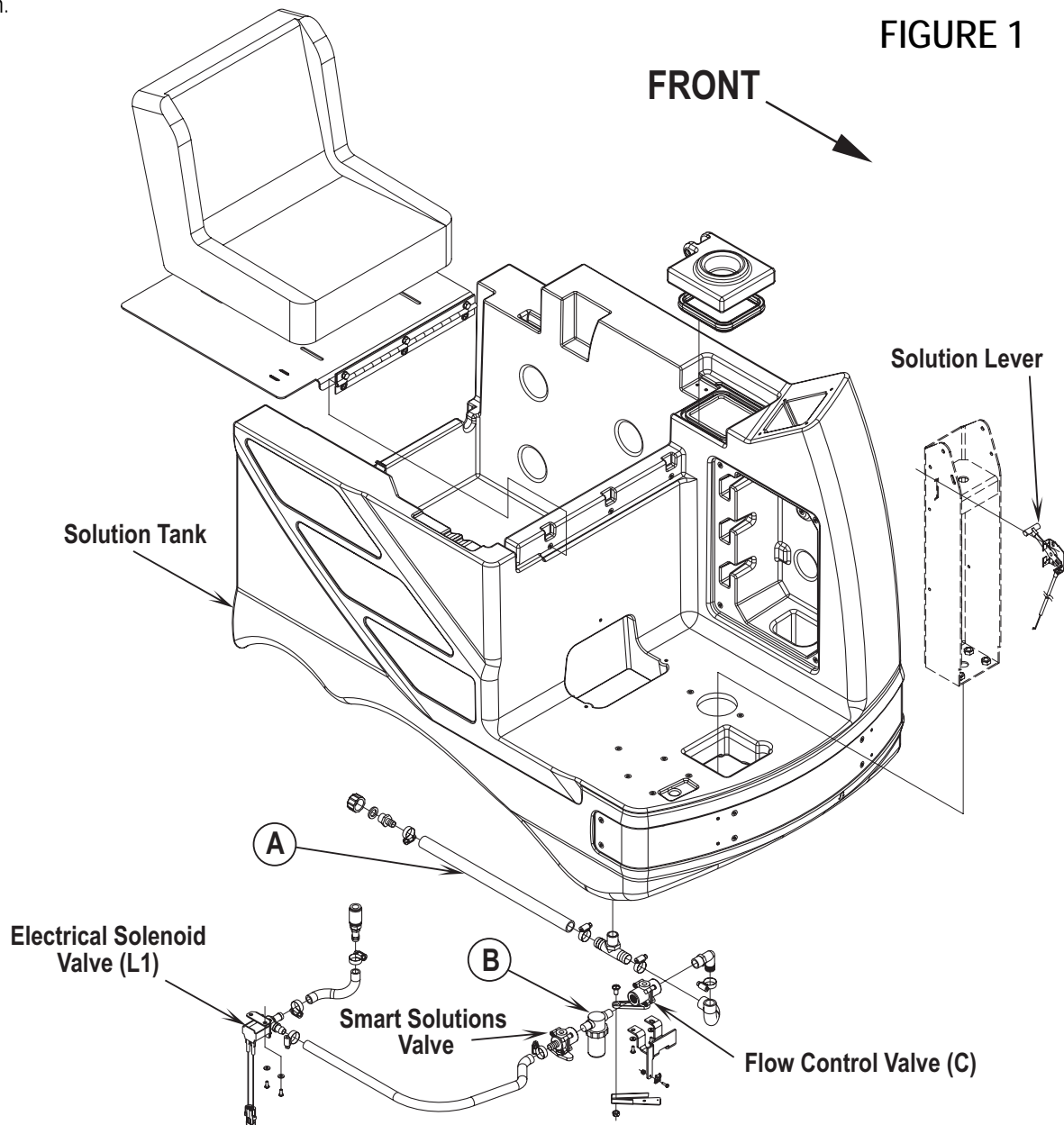
FUNCTIONAL OVERVIEW

See Figure 1. The plastic (polyethylene) molded main body structure fulfills three (design) functional uses. They are the platform for the operator's seat, mount cavity for the electrical panel and as the storage tank for the machine's scrubbing solution. The solution tank fill capacity is 42 gallons (157L). Plumbed into the flow control valve hose outlet is a serviceable solution filter to keep debris from entering the solenoid valve. Also fitted to the flow control valve is a short flexible drain hose to empty the tank for system maintenance.

The solution system uses (2) valves to stop, start and regulate the amount of solution dispensed onto the floor. Located underneath the right side of the solution tank two feet back from the front is mounted the electrical solution solenoid valve L1. Its function is to stop and start the solution flow to the scrub brushes. Located on the operator's steering column support is the solution lever (tee handle). The lever and connected cable move the flow control valve arm that regulates solution flow to meet a specific operator's scrub application.

See Figure 2. The electrical circuit that turns on (energizes) the solenoid coil L1 is activated through the E1 control panels switch buttons (touch pad). Note: See the Know Your Machine section in this manual for a detailed explanation of the complete solution operation modes.

During normal machine scrubbing the solution system's Auto Mode is selected and works in conjunction with the (A1) wheel drive speed controller and the foot pedal (throttle). This input activates the scrub system's outputs to turn on & off the (L1) solenoid valve. The solution flows to the scrub brushes any time the manual flow control valve is open, the scrub deck is lowered and the drive pedal is pushed into the forward position. Note: When the solution on/off button is turned off, no flow can occur regardless of the manual flow control being on, drive pedal activated and the scrub deck down.



SOLUTION SOLENOID CIRCUIT OVERVIEW

Auto Mode

+ Positive battery circuit inputs and outputs

Inputs:

- A Solenoid circuit control coil (+) voltage input to control board E1 connector J2 pin #'s 6 & 7 (wire colors Brn/Yel).
- A closed S1 key switch supplies (+) input voltage to the E1 terminal J2 pin #10 (wire Brn). This powers up (turns on) the control board's processing logic functions.
- A closed S2 operator safety seat switch enables allows the starting of the entire automatic machine scrubbing system functions. Its E1 terminal connection is J4 pin #11 (wire Orn).

Outputs:

- A control board E1 battery (+) voltage output from the solenoid accessory terminal connection J2 pin #8 Wht/Brn wire.

- Negative battery circuit inputs and outputs

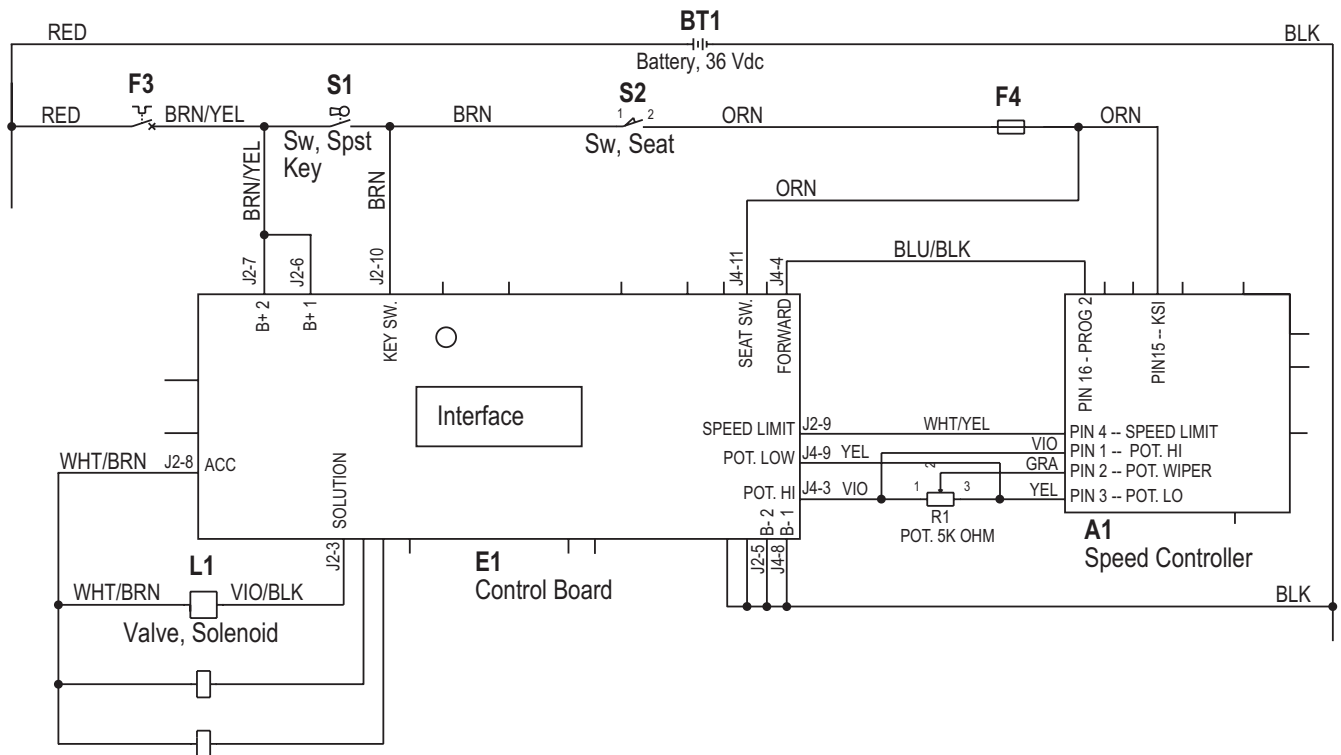
Inputs:

- A main (-) battery ground input for the control board E1 terminal J4 pin#8 BLK wire. This supports the operation of the boards processing logic functions.
- Battery ground supply input for all the (control boards) negative output coil circuits. Its E1 terminal connection is J2 pin #5 (wire Blk).

Outputs:

- A battery ground output from the E1 control board terminal connector J2 pin #3 wire Vio/Blk. This controlled output turns on and off the L1 solenoid coil that stops and starts the solution flow through the valve body. This occurs every time the throttle is moved off its neutral setting into forward.

FIGURE 2



SOLUTION SYSTEM

TROUBLESHOOTING GUIDE

| Problem | Possible Cause |
|--------------------------------|--|
| Inadequate or no solution flow | No solution in the tank |
| | Main solution flow control valve lever is in the off position |
| | Clogged solution filter, valves, hoses & solution delivery trough (cyl.) |
| | Defective solution solenoid valve (L1) |
| | Solution system fault in the main controller E1* |

*Reference the *Main Control Board Troubleshooting Guide* in the Electrical System of this manual for further information.

SOLUTION SYSTEM MAINTENANCE

- **Solution Tank:** See Figure 1. Weekly empty the solution tank; remove the solution Drain Hose (A) from its storage area (located underneath the left side brush skirt frame). Direct the hose to a designated "Disposal Site" and flush the tank with clean water.
- **Solution Filter:** Remove and clean the inline Solution Filter (B). To access the filter housing for removal, work underneath the middle front of the solution tank (see molded "FILTER⇩" callout). No tools are needed to remove the filter (hand tighten only). **Service Tip:** The manual solution control lever must be placed in the full OFF position. This prevents loss of solution when servicing the filter strainer with a partial or full tank.
- **Solution Delivery Trough:** Note on the cylindrical scrub deck clean the holes in the delivery trough to assure even distribution of solution.

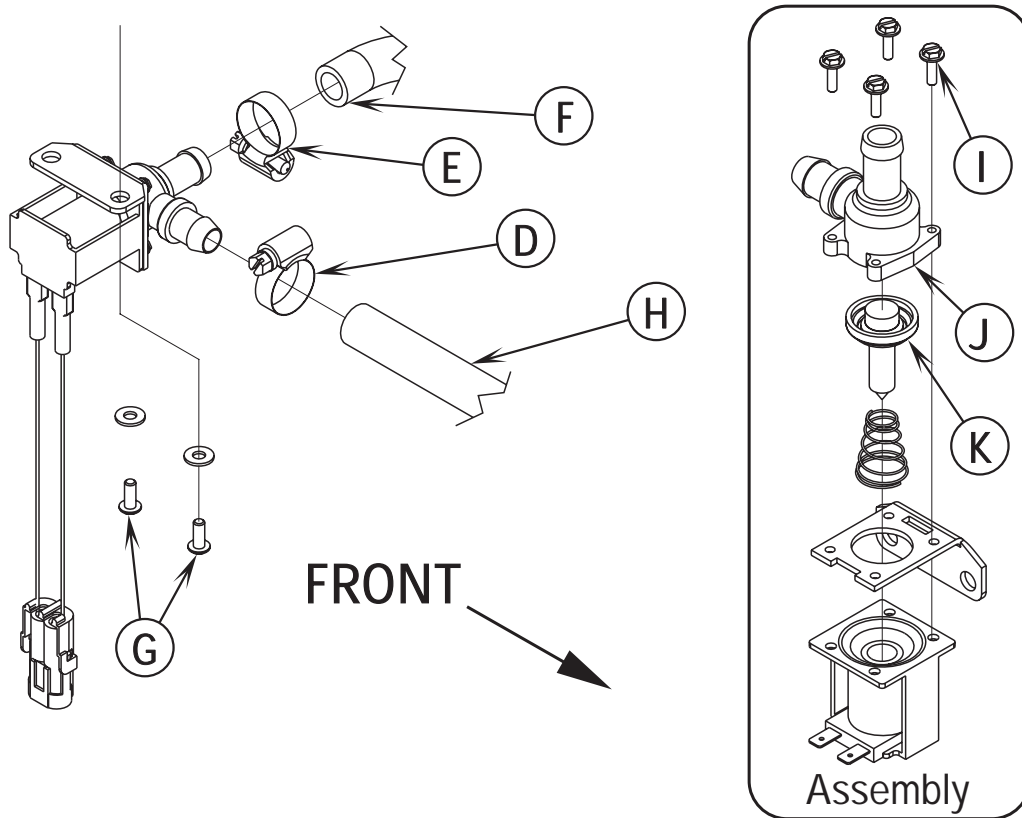
SOLUTION SOLENOID REMOVAL

- 1 Drain the solution tank or put the Flow Control Valve (C) in the closed position to prevent solution loss.
- 2 See Figure 3. Locate the solenoid valve, it's on the right side of the machine under the solution tank. Unplug the L1 solenoid valve wire assembly connection from the machine harness.
- 3 Loosen both the inlet and outlet Hose Clamps (D) and (E) that secure the hoses to the valve body.
- 4 Separate (pry) the solution outlet hose (F) off from its valve body barbed fitting.
- 5 Remove the two Hex Screws (G) that secure the valve to the solution tank. Then pull the valve body towards the rear separating it from the solution inlet Hose (H), completing the part removal.

SOLENOID VALVE DISASSEMBLY AND CLEANING

- 1 Remove the solenoid valve. See the *Solenoid Valve Removal* section for instructions.
- 2 See Figure 3. Remove the (4) (I) Screws and disassemble the valve (be careful not to lose any internal parts).
- 3 Thoroughly wash dirt from block (J) and diaphragm (K).
- 4 After reassembling, test the solenoid valve for proper operation.

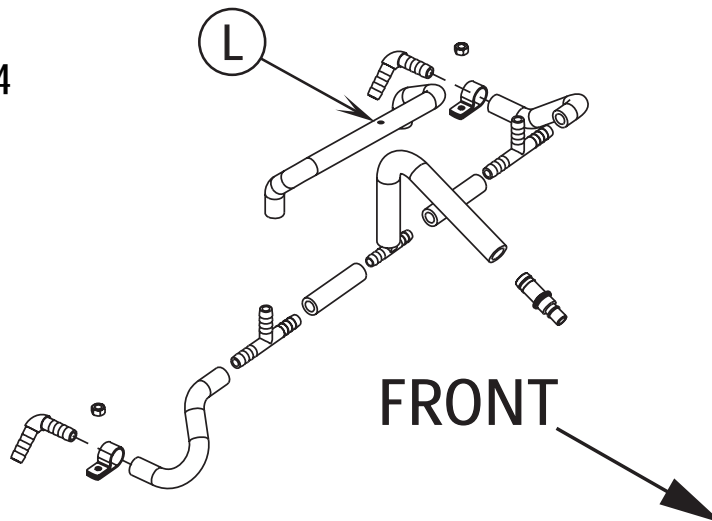
FIGURE 3



DISC MACHINE SOLUTION PLUMBING DETAIL

- Top of Hose (L) uses a .109" diameter hole in the center. This prevents unbalanced solution flow.

FIGURE 4



RECOVERY SYSTEM

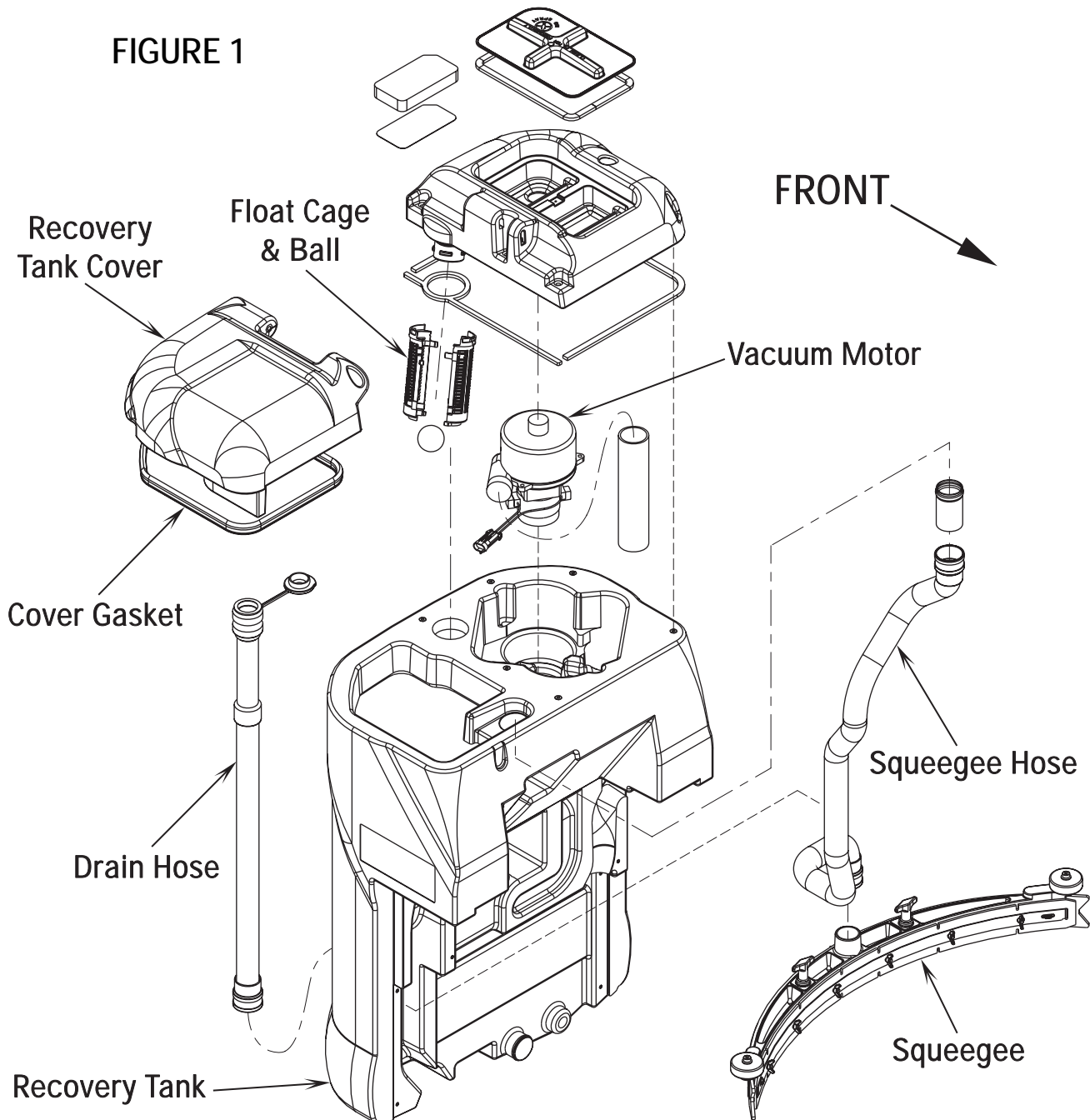
FUNCTIONAL OVERVIEW

Vacuum / Recovery System General

Dirt and water are lifted off the floor into the recovery tank by airflow, created by a 3-Stage 36V vacuum motor. The wastewater and air enter the vacuum system at the squeegee tool, through small openings (notches) located in the front squeegee blade. The small openings are the entrance points for the water and air, and help speed up the airflow producing the suction to lift the wastewater off of the floor. The air and wastewater move through the squeegee hose at high speed until it reaches the recovery tank. There the air slows down because of the increased volume (large size) of tank. With the decreased air speed the heavier water falls to the bottom of the recovery tank. Then at the same time the airflow continues through the tank, shutoff float, vacuum motor and is exhausted out of the vacuum exhaust hose. No wastewater ever actually moves through the vacuum motor, just working air.

The vacuum system uses a shutoff float to prevent the tank from being overfilled and stops any water from being sucked into the vacuum motor. The Adgressors / BR 850S & 850SC are equipped with a feature that will automatically shut off the vacuum and scrub systems and display "FULL" on the hourmeter/status display if the recovery tank becomes filled.

FIGURE 1



RECOVERY SYSTEM

TROUBLESHOOTING GUIDE

If water flows around the ends of the squeegee tool, instead of being pulled into the tool, the vacuum system is not working properly. When a vacuum system performs poorly, it is usually because of one of the following problems:

Vacuum Leak(s) – Air flowing into the vacuum system past a bad gasket or leaky hose, damaged tank, or a leaky drain valve. A vacuum leak below the water line will create turbulence in the recovery tank, causing water to enter the vacuum motor.

Restriction(s) – Anything that blocks the flow of air through the system. Restrictions may also be caused by built-up debris in the squeegee tool, vacuum hoses, float cage or wherever the airflow is forced to make a sharp turn.

Both leaks and restrictions decrease the quantity of air flowing through the squeegee tool. The air that does go through the squeegee tool moves slower, so it has less pick-up power.

Vacuum Electrical Components – The vacuum systems major electrical components are monitored by the main controller to detect any system function failures (error codes). The system components covered are the vacuum motor and vacuum solenoid. Detected error codes from the main controller are displayed on the hour meter LED display as they occur. Note: Reference the *Main Control Board Troubleshooting Guide* in the Electrical System of this manual for specific fault descriptions and service repair actions.

VACUUM / RECOVERY SYSTEM SERVICE MAINTENANCE CHECKLIST

Whenever there is a vacuum problem, it's best to check over the entire system. Use the checklist below as a guide, to thoroughly check the vacuum system.

- Clean built-up dirt from the inside of the squeegee tool.
- Replace the squeegee blades if they are nicked or torn.
- Inspect the hose between the squeegee tool and the recovery tank, rinse any built-up dirt from the hose. Replace the hose if it is kinked or damaged.
- Inspect and make sure the gaskets on the recovery tank covers are sealing and not damaged.
- Inspect and clean the vacuum motor float cage and vacuum filter.
- Make sure that the recovery tank drain valve seals airtight.

MAINTENANCE OF VACUUM FILTER AND FLOAT CAGE

See Figure 3. To inspect and clean the vacuum motor foam filter just lift open the tethered Vac Duct Cover (A). Remove the filter by pulling it out from the housing opening. Clean the filter by vacuum or washing it out in warm water. Note: The filter must be completely dry before reinstalling.

To inspect the vacuum shut off float just open the right rear recovery tank cover to access the float cage assembly (back center in recovery tank). The cage openings must be kept free of any debris that can restrict maximum airflow. To keep it clean, wipe off with a rag regularly or remove and flush with water. The cage is a two piece design and can be snapped apart to separate. Note: Another method of accessing the cage float for servicing is to remove the (6) (B) Screws and remove the vacuum duct housing (C) from the recovery tank top opening.

RECOVERY TANK REMOVAL

- 1 Drain the recovery tank using the recovery tank drain hose.
- 2 Disconnect the squeegee hose from the squeegee tool and remove the tool from its mount.
- 3 See Figure 3. Open the hinged recovery tank Cover (D) and grip the top inside edge of the tank then pull straight up to separate it from the solution tank/seat platform. Then guide the tank off the rear of the machine to the floor. **Important Service Note:** Support the bottom of the tank on its left corner to prevent crushing of the squeegee hose. Don't pull the tank immediately away from the machine the vacuum motor wiring harness located on the lower left front corner must be disconnected to complete the separation.

VACUUM MOTOR(S) REMOVAL

- 1 See Figure 3. Remove the vacuum duct Cover (C) that is secured to the recovery tank by a qty of (6) Screws (B).
- 2 Separate the wiring harness from each motor and lift motor(s) out from their mounting cavity.
- 3 Inspect all the vacuum/recovery system Gaskets, (items E, F, G & H) also clean the vacuum motor(s) Foam Filters (I, J & K), Screens (L) and Exhaust Hoses (M).
- 4 Inspect the carbon motor brushes, if less than 3/8" (10mm) in length replace.

* **Service Note:** The hinged Tank Cover (D) can easily be separated from the vacuum Duct Cover (C) by removing the slotted Pin (N) (by using a flat bladed screwdriver).

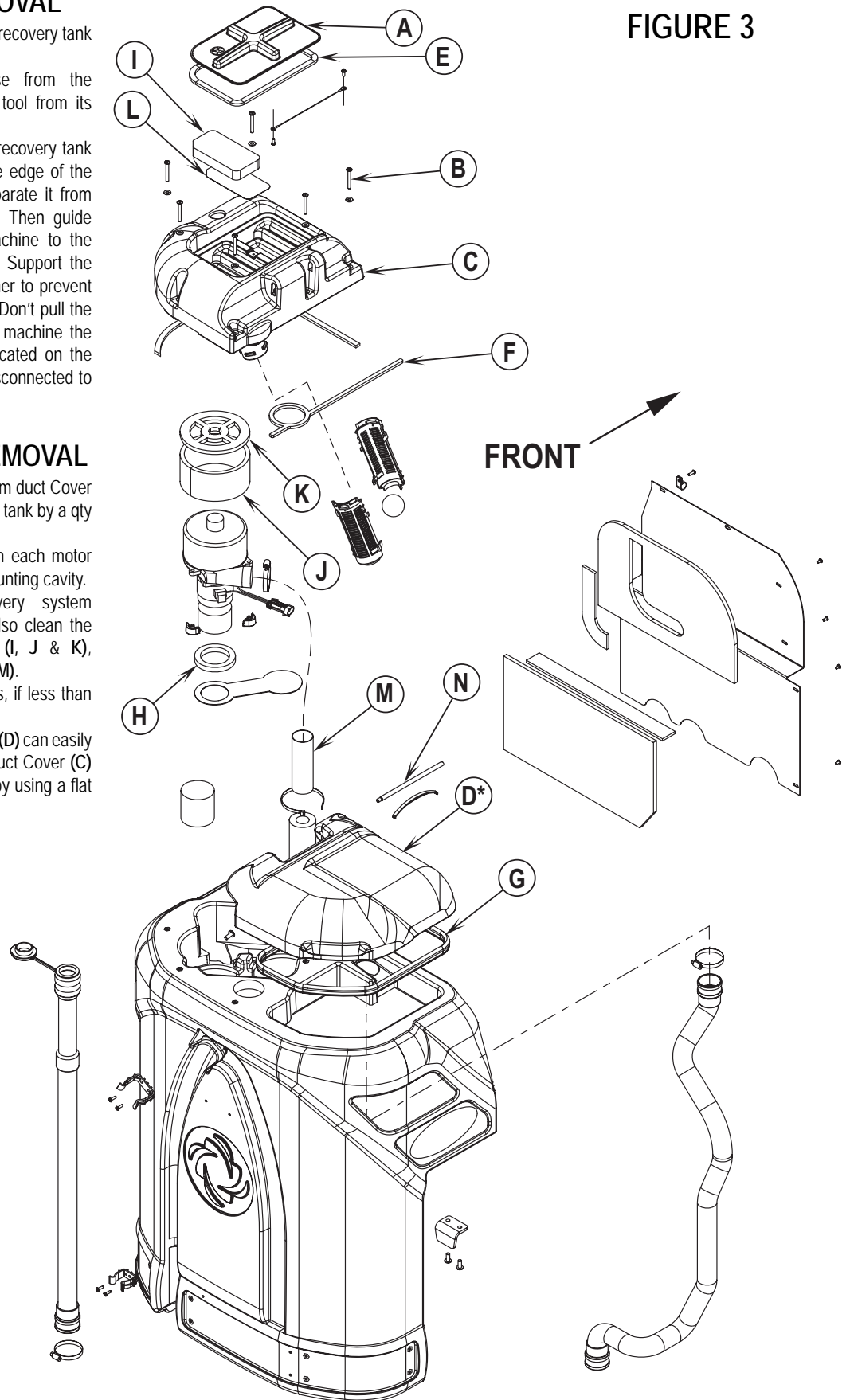


FIGURE 3

SQUEEGEE SYSTEM

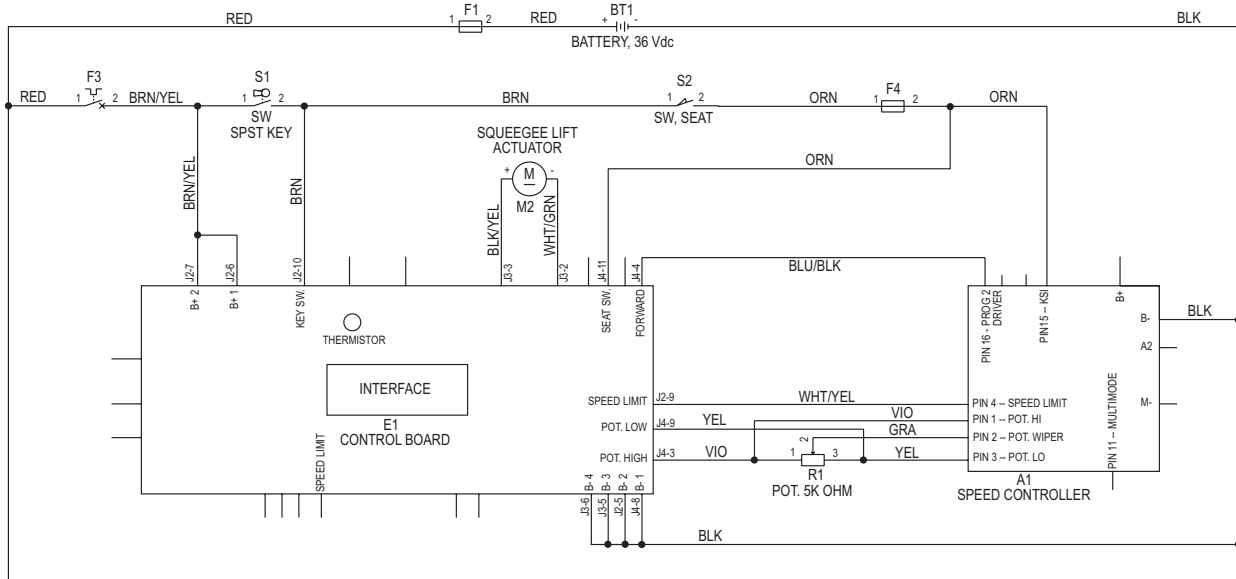
SQUEEGEE SYSTEM LIFT MOTOR OVERVIEW

See Figure 2. The squeegee pickup tool is raised and lowered by a 36V actuator motor assembly mounted horizontally in the center rear of the chassis underneath the recovery tank. The main control board assembly E1 regulates (manages) the machine's squeegee tool system input and output operating functions. See the Know Your Machine section in this manual for a detailed description of vacuum/squeegee operation modes.

OPERATIONAL OVERVIEW OF THE SQUEEGEE LIFT MOTOR REVERSE FUNCTION

During normal machine scrubbing the squeegee operates in the auto mode. To prevent squeegee blade damage and excessive wear the squeegee tool is automatically lifted from the floor any time the machine is operated in reverse. See Figure 1. To get the squeegee tool to lift in reverse the drive pedal must be moved off its neutral or forward position, which opens the normal closed (36V pos. +) control voltage from the A1 speed control output pin #16 (Blu/Blk). This sensed loss of the (pos.) pin#16 control voltage signal creates the required E1 board input to the J4 connector pin#4 (Blu/Blk) wire). This then activates an internal relay circuit that outputs the correct voltage polarity for the M2 squeegee lift motor to run a specified time (output from J3 connector pins #2 & # 3). This raises the squeegee off the floor to the back up position, which is half of the normal distance observed when in the machine scrub off mode. Moving the drive pedal back to the neutral/forward position closes the A1 throttle forward output and the E1 control board gains its (+) signal. The J3 connector output reverses the polarity and lowers the tool back onto the floor.

FIGURE 1



* Programming Note: The Squeegee raise in reverse time period is adjustable. See the instruction in the Electrical Special Programming manual section to change the distance the squeegee will raise in reverse.

TROUBLESHOOTING

Squeegee Lift Motor Operation

| Problem | Possible Cause |
|--|---|
| <ul style="list-style-type: none"> Lift Motor runs in both directions but does not raise or lower the squeegee tool assembly | <ul style="list-style-type: none"> Threads in the moveable lift motor assembly drive tube are damaged (stripped) Lift cable damaged (stretched or broken) |
| <ul style="list-style-type: none"> Lift motor does not run and the hourmeter/Status display shows an error fault code (05, 19, or 20) | <ul style="list-style-type: none"> Lift Motor Electrical system failure* |

*Reference the main control board troubleshooting guide in the Electrical System of this manual for specific fault descriptions & service repair actions.

SQUEEGEE SYSTEM

SQUEEGEE LIFT ACTUATOR MOTOR REMOVAL

- 1 Lower the squeegee tool to the floor and then disconnect the battery pack by pushing in the emergency disconnect lever (13). This procedure is done to prevent the squeegee mount from automatically raising when the key is turned off.
- 2 Drain the recovery tank using the recovery tank drain hose.
- 3 Disconnect the squeegee hose from the squeegee tool and remove the tool from its mount.
- 4 Open the hinged recovery tank cover and grip the top inside edge of the tank then pull straight up to separate it from the solution tank/seat platform. Then guide the tank off the rear of the machine to the floor. **Important Service Note:** Support the bottom of the tank on its left corner to prevent crushing of the squeegee hose. Don't pull the tank immediately away from the machine the vacuum motor wiring harness located on the lower left front corner must be disconnected to complete the separation.
- 5 See Figure 2. From the back of the machine remove the Retainer Ring (A) securing the lift cable Pin (B) and separate the pin and cable from the motor drive tube housing and chassis mounts. Note: Don't lose the two plastic cable spacers positioned in motor drive tube.
- 6 Locate the wire tie that attaches the motor wiring to the chassis and then disconnect the motor harness.
- 7 From underneath the machine remove the Hairpin (C) securing the lift motor Pin (D) and disassemble the motor from the chassis mount. Then pull the motor forward to remove it completely from the machine.

Note: New replacement lift actuator motors do not come with the lift nut pre-adjusted.

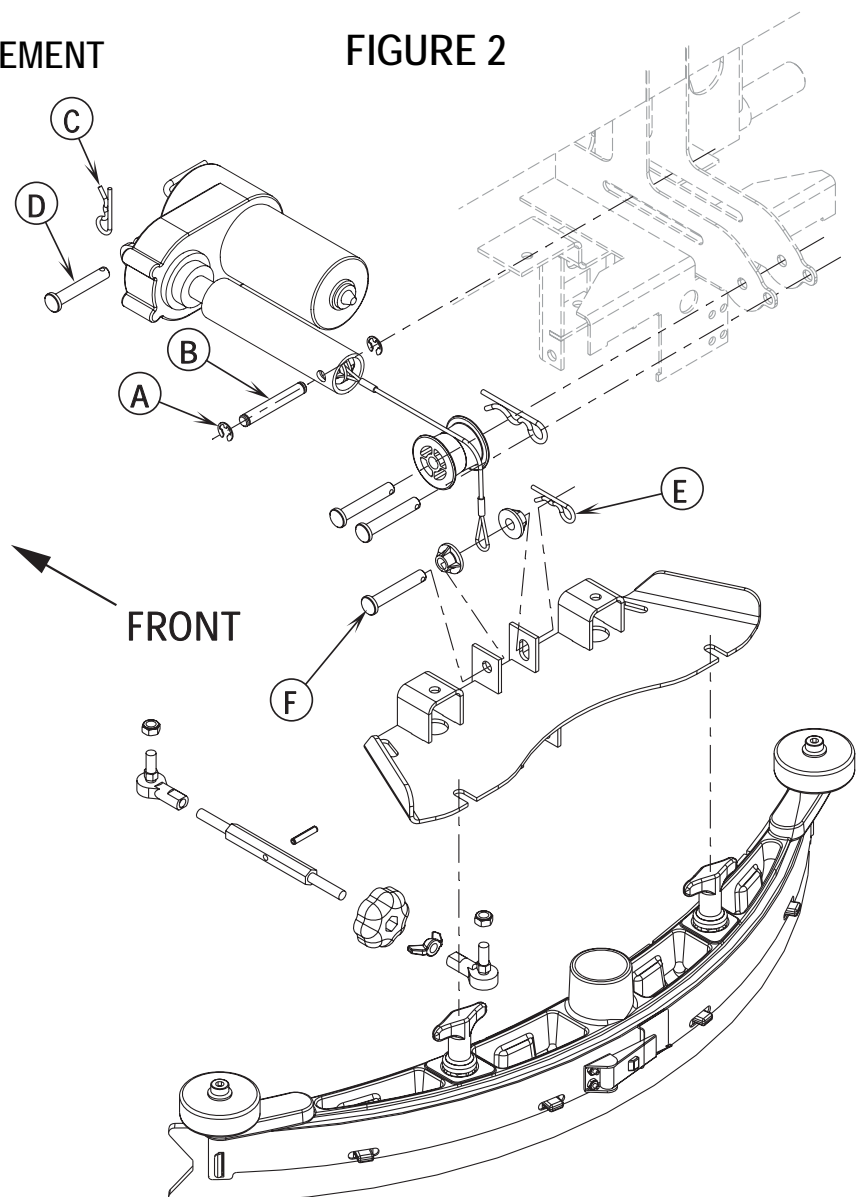
Important: After removing the actuator motor and before replacing a new motor or drive nut the IN & OUT limit switches must be set (or checked) to their correct specifications (see the Electrical System for the Actuator Drive Nut Adjustment instructions).

- 8 After setting the correct actuator lift nut dimensions follow steps 1-7 in reverse order to re-install.

SQUEEGEE LIFT CABLE REPLACEMENT

- 1 Follow steps (1-5) in "Squeegee Lift Actuator Motor Removal" above. Note: The motor does not need to be dismantled from the frame.
- 2 Remove the lower squeegee cable hair pin (E) and mounting pin (F) to allow complete removal of lift cable.
- 3 Reassemble in reverse order and test for proper raise and lower functions.

FIGURE 2



SQUEEGEE SYSTEM

SQUEEGEE MAINTENANCE

If the squeegee leaves narrow streaks or water, the blades may be dirty or damaged. Remove the squeegee, rinse it under warm water and inspect the blades. Reverse or replace the blades if they are cut, torn, wavy or worn.

To Reverse or Replace the Rear Squeegee Wiping Blade...

- 1 See Figure 3. Raise the squeegee tool off the floor, then unsnap the Center Latch (G) on the squeegee tool.
- 2 Remove the Tension Straps (H).
- 3 Slip the rear blade off the alignment pins.
- 4 The squeegee blade has 4 working edges. Turn the blade so a clean, undamaged edge points toward the front of the machine. Replace the blade if all 4 edges are nicked, torn or worn to a large radius.
- 5 Install the blade, following the steps in reverse order and adjust the squeegee tilt.

To Reverse or Replace the Front Squeegee Blade...

- 1 Raise the squeegee tool off the floor, then loosen the (2) Thumb Nuts (I) on top of the squeegee and remove the squeegee tool from the mount.
- 2 Remove both rear Tension Straps first.
- 3 Remove all the wing nuts that hold the front blade in place, then remove tension strap and blade.
- 4 The squeegee blade has 4 working edges. Turn the blade so a clean, undamaged edge points toward the front of the machine. Replace the blade if all 4 edges are nicked, torn or worn to a large radius.
- 5 Install the blade, following the steps in reverse order and adjust the squeegee tilt.

SQUEEGEE ADJUSTMENT

There is just one squeegee tool adjustment possible, angle.

Adjusting the Squeegee Angle

Adjust the squeegee angle whenever a blade is reversed or replaced, or if the squeegee is not wiping the floor dry.

- 1 Park the machine on a flat, even surface and lower the squeegee. Then drive the machine forward enough to have the squeegee blades fold over to the rear.
- 2 Loosen the Lock Wing Nut (J) (hand tightened). This secures the squeegee mount angle from easily vibrating out of adjustment.
- 3 Turn the Adjustment Knob (K) to tilt the tool forward or backwards, until the rear squeegee wiping blade touches the floor evenly across its entire width.
- 4 Re-tighten by hand the Lock Wing Nut (J).

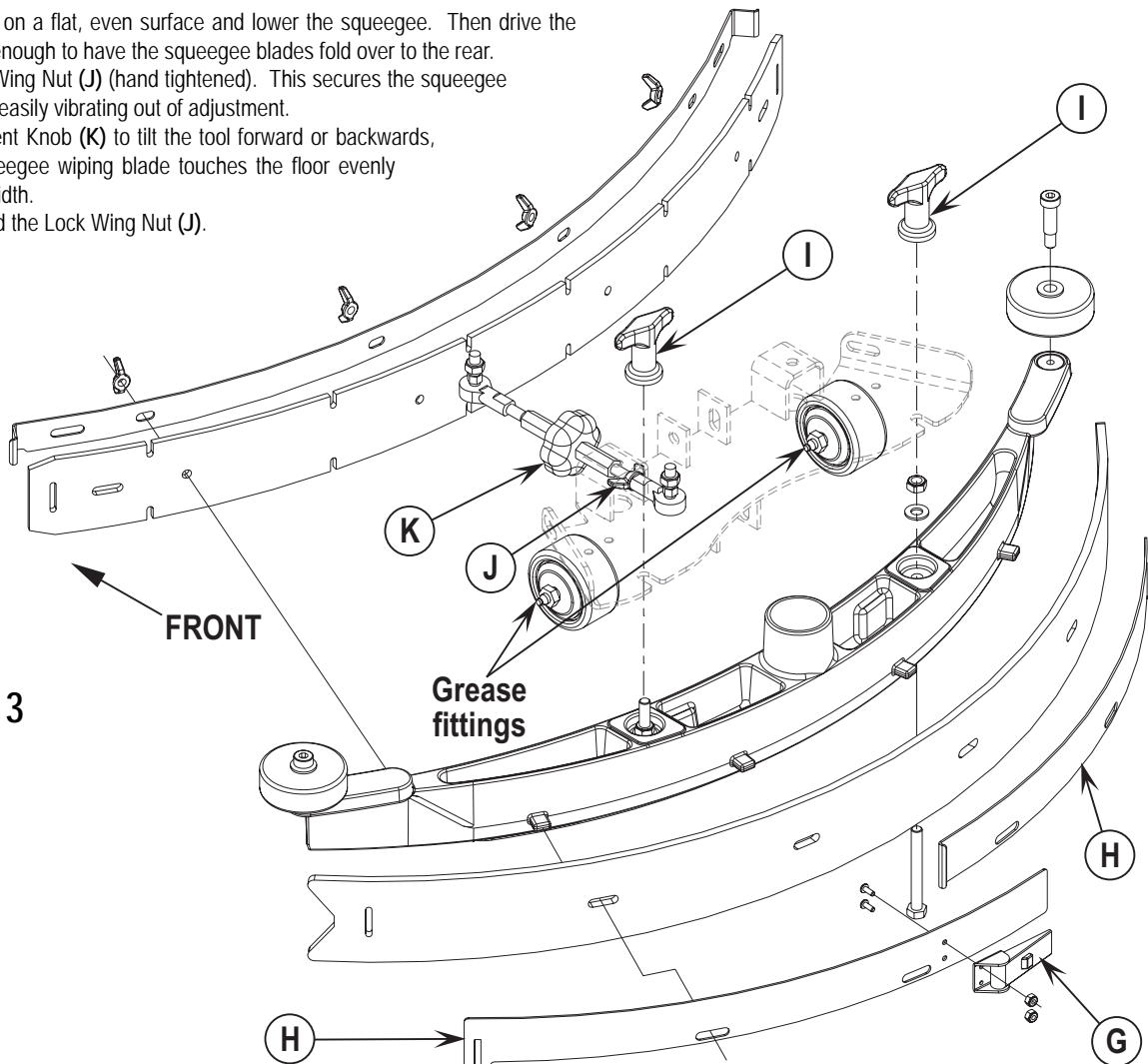


FIGURE 3

BATTERY SPECIFICATIONS

- Use a combination of multiple 2-volt cell units (wired in series) to construct a 36 Volt DC battery pack system.
- Nilfisk-Advance recommended battery pack capacity is a 305 or 395 AH @ 20 Hour Rate deep cycle battery system (six 6V-batteries). Note: The battery pack must fit the battery compartment size listed in *Specifications*.

BATTERY CHARGER SPECIFICATIONS

- Use a 36 Volt DC output charger matching the DC battery pack voltage and the input AC line voltage supply being used.
- Always when selecting a battery charger follow the recommendation of the battery supplier to match the proper charger DC output amperage to the amp/hour rating batteries being installed. This will prevent the battery pack from being over or under charged.
- The recommended 305 AH battery should be matched to a 36V, 20 or 25 Amp charger.
- The recommended 395 AH battery should be matched to a 36V, 36 Amp charger.

INSTALL THE BATTERIES

⚠ WARNING!

Use extreme caution when working with batteries. Sulfuric acid in batteries can cause severe injury if allowed to contact the skin or eyes. Explosive hydrogen gas is vented from inside the batteries through openings in the battery caps. This gas can be ignited by any electrical arc, spark or flame.

When Servicing Batteries...

- Remove all jewelry.
- Do not smoke.
- Wear chemical goggles, rubber gloves and a protective apron.
- Work in a well-ventilated area.
- Do not allow tools to touch more than one battery terminal at a time.

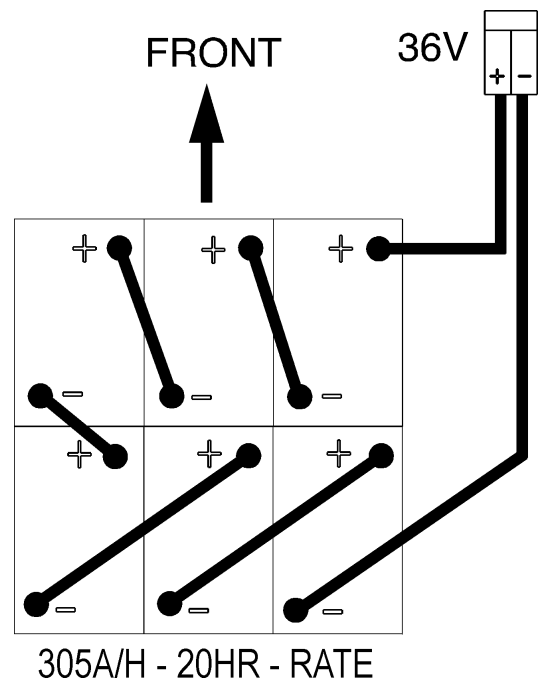
⚠ CAUTION!

Electrical components in this machine can be severely damaged if the batteries are not installed and connected properly. Batteries should be installed by Nilfisk-Advance or by a qualified electrician.

- 1 Remove the batteries from their shipping crate and carefully inspect them for cracks or other damage. If damage is evident, contact the carrier that delivered them or the battery manufacturer to file a damage claim.
- 2 Turn the Master Key Switch (J) OFF (O) and remove the key.
- 3 To access the battery compartment tip the operator's seat forward and set the prop rod. Remove the battery cables from inside the battery compartment.
- 4 Your machine comes from the factory with enough battery cables to install six (6 volt), 305 - 395 Amp hour batteries. Using two people and an appropriate lifting strap, carefully lift* the batteries into the compartment tray exactly as shown on machine decal (Figure 1).
- 5 The terminals on the battery cables are marked "+" for positive and "-" for negative. Install the battery cables as shown, with the terminals marked "+" on the positive battery terminals and the terminals marked "-" on the negative terminals. Position the cables so the battery caps can be easily removed for battery service.
- 6 Carefully tighten the nut in each battery terminal until the terminal will not turn on the battery post. Then tighten the nut half an additional turn. Do not over-tighten the terminals, or they will be very difficult to remove for future service.
- 7 Coat the terminals and posts with spray-on battery terminal coating (available at most auto parts stores).
- 8 Put one of the black rubber boots over each of the terminals and retain with supplied tie straps.
- 9 Connect the battery pack connector to the Machine Battery Connector (22) and close the operator's seat platform.

*Note: Removal of the recovery tank can make battery installation easier.

FIGURE 1



ELECTRICAL SYSTEM

DESCRIPTION OF THE BATTERY LOW VOLTAGE CUTOUT FEATURE

All models discussed in this manual are equipped with a low voltage cutout feature to prevent over-discharging of the batteries. When a machine's battery pack voltage falls below specifically defined thresholds (voltage settings) the scrub system is automatically shut down. The cutout level is adjustable. The standard lead acid battery (wet cell) setting is 1.72V per cell and alternate maintenance free battery (gel cell) setting is 1.81V per cell. The standard setting is factory selected and should be used unless the battery manufacturer specifies the higher cutout voltage.

Special Service Note: On all machines (36V) a minimum recharge voltage of 2.09 volts per cell must be reached to allow the scrub brush and solution system to (reset) function again. The 36V-battery pack must increase to a 37.6-volt minimum.

DESCRIPTION OF THE BATTERY CONDITION INDICATORS

The Battery Condition Indicator (**K**) will give an indication of the state of charge of the batteries. The battery condition indicator will retain the state-of-charge even if the key has been turned off. The state-of-charge indication is reset to full charge when the batteries have been recharged. It is also possible to choose between two different low voltage thresholds depending on whether maintenance free or standard batteries are being used (**have qualified service engineer perform this selection***). NOTE: The following percentages are based on *useable* battery capacity not total battery capacity. Therefore, 100% discharge = 80% of total battery capacity for standard wet cell batteries or 70% of total battery capacity for maintenance free batteries.

Explanation of Battery Indicator Lights and Voltage Ranges

| Battery Indicator | % of Discharge | 36 volt | |
|---------------------|----------------|-----------|-----------|
| | | Standard | Alternate |
| Green | Full to 50% | 34.0+ | 34.5+ |
| Green & Yellow | 50% to 75% | 33.0-34.0 | 34.0-34.5 |
| Yellow | 75% to 90% | 32.0-33.0 | 33.5-34.0 |
| Yellow & Red | 90% to 95% | 31.5-32.0 | 33.0-33.5 |
| Red | 95% to 99% | 31.0-31.5 | 32.5-33.0 |
| Flashing Red/Cutoff | 100% | <31.0 | <32.5 |

***Important Note:** See the *Main Control Board Special Program Options* manual section (located in the Electrical System) and follow the instructions for changing the low voltage cutout threshold.

CHARGING THE BATTERIES

Charge the machine's battery pack each time the machine is used, or when the Battery Condition Indicator (**K**) is showing red flashing indicator lights. Note: The machine also uses a special low voltage cutout that inhibits the scrub system see in this manual section the *Description of the Battery Low Voltage Cutout Feature*.

To Charge the Batteries...

- 1 Depress the Battery Disconnect (**13**).
- 2 Open the Battery Compartment Cover (**16**) to provide proper ventilation.
- 3 Push the connector from the charger into the Battery Connector (**22**).
- 4 Follow the instructions on the battery charger.
- 5 Check the fluid level in all battery cells after charging the batteries. Add distilled water, if necessary, to bring the fluid level up to the bottom of the filler tubes.

WARNING!

Do not fill the batteries before charging. Only charge batteries in a well-ventilated area. Do not smoke while servicing the batteries.

BATTERY MAINTENANCE

Proper maintenance of electric vehicle batteries can greatly extend their life. Well-maintained batteries may last up to 3 years, but failure after 1 year is common if maintenance has been poor.

There are 3 simple rules for good battery maintenance:

- **Maintain Proper Electrolyte Level (Weekly)** - Use distilled water in batteries whenever possible. If batteries are discharged, add just enough water to cover the plates in each cell. If batteries are fully charged, fill each cell to the bottom of the filler tube. **Do not over-fill the batteries! Do not add acid to batteries!**
- **Keep the Batteries Charged (Weekly)** - Batteries should be charged each time that a machine is used for more than 1 hour. Machine operators should open the battery compartment cover for charging, to avoid a concentrated build-up of hydrogen gas. Operators should follow the instructions provided with their specific battery charger, to determine how long the batteries should be charged. Even when a machine is stored, the batteries should be charged once a month to prevent the batteries from "sulfating". Almost all battery caps are vented, so there's no need to loosen or remove them for charging.
- **Keep the Batteries Clean (Monthly)** - Use a damp cloth to wipe dirt from the top of the batteries. Battery terminals must be clean and tight. If the tops of the batteries are wet after charging, the batteries have probably been over-filled or over-charged. Note: If there is acid on the batteries, wash the tops of the batteries with a solution of baking soda and water (2) tablespoons of baking soda to 1 quart of water.

BATTERY TESTING

A battery problem is usually recognized by the machine operator, as a decrease in the machine's running time. This condition is usually caused by one or more "dead cells" in the battery system that is, one or more cells that is putting out less voltage than the other cells.

Note: Always charge batteries before testing.

There are 2 ways to find a dead cell:

- Use a hydrometer to check the specific gravity (or "state of charge") of the fluid in each cell. A dead cell is one that reads 50 points (or more) lower than the other cells.
- Use a volt meter to check the voltage of each battery with the scrub and drive motors running. The battery with the dead cell will read 1 or 2 volts lower than the other batteries in the system.

If the batteries in the machine are more than 1 year old, it's usually best to replace the whole set, rather than replacing just one battery.

The chart below shows the approximate "percent charged" of an electric vehicle battery at various specific gravity values, corrected to 80°F (26.7°C).

APPROXIMATE STATE OF CHARGE

| <u>Charged</u> | <u>1.265 Initial Full Charge</u> |
|----------------|----------------------------------|
| 100% | 1.265 |
| 75% | 1.225 |
| 50% | 1.190 |
| 25% | 1.155 |
| Discharged | 1.120 |

ELECTRICAL SYSTEM

ACTUATOR DRIVE NUT ADJUSTMENT

This manual section explains the steps for adjusting the drive nut (housing assembly) setting for the machine's two actuator motors. Reference the chart below to find the IN & OUT dimensional specification for the specific actuator motor needing adjustment.

| Part # | Actuator Motor | Drive Nut Housing Assy IN | Drive Nut Housing Assy OUT |
|----------|--------------------------------|---------------------------|----------------------------|
| 56393303 | Scrub Brush Lift (disc & cyl.) | 3/8" (9mm)* | 3-5/8" (92mm)* |
| 56397230 | Squeegee Lift | 3/32" (2mm)* | 3-3/8" (86mm)* |

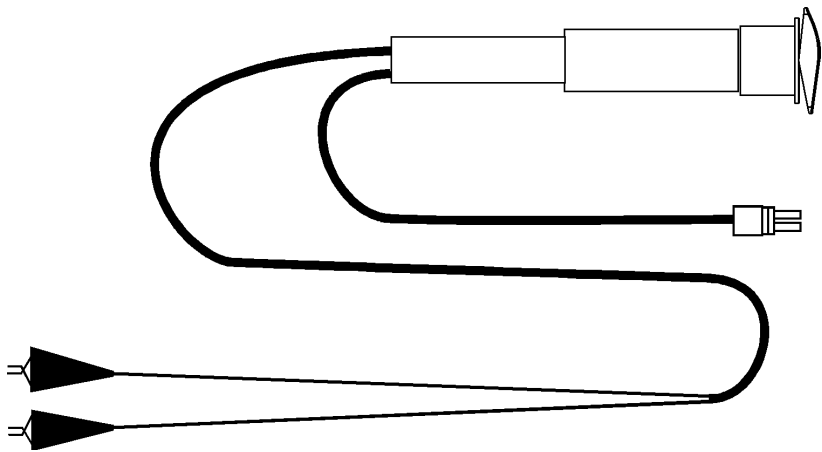
*The "Drive Nut Housing Assy IN/OUT Position" dimensions are measured when completely assembled. Reference points are the gear box step to the edge of the Steel Tube (A) as shown in Figure 3, or the edge of the plastic Spring Housing Assembly as shown in Figure 4.

**Flush even to end of step.

General Instructions for All Actuator Motors

- 1 See Figure 2. This shows the special actuator power cord adapter (PN 56407502) that is needed to connect the machine's battery pack and actuator motor for setting the drive nut limit settings.
- 2 Open the machine battery compartment and disconnect the battery connector. The battery pack is needed to power the lift actuator motor to properly set the IN & OUT limit switches.
- 3 Connect the actuator motor to be tested to the power cord adapter end. Then connect the alligator clips from the cord adapter (red clip to the positive and black to negative) to battery connector or battery posts. The rocker switch is used to change the motor rotation in setting the correct drive nut dimension.

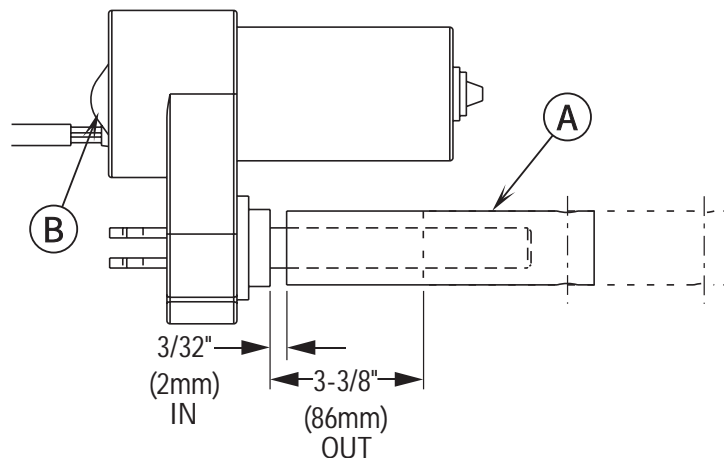
FIGURE 2



Instructions for Squeegee Lift Actuator Drive Nut Adjustment

- 1 See Figure 3. Hold onto the Actuator Drive Nut (A) and press the rocker switch to run the drive motor and retract the nut towards the motor housing (it's IN limit).
- 2 Measure the position of the drive nut on the actuator shaft. Manually turn the steel tube to the IN position as shown in the chart.
- 3 Hold the drive nut then press the adapter cord rocker switch to run the drive motor to the OUT position (wait until the motor stops).
- 4 Measure the position of the drive nut on the shaft and compare the measurement with the OUT position shown in the chart.
- 5 When the measurement doesn't match the dimension shown in the chart it is necessary to remove the Adjuster Cover (B) and adjust the Out position.
- 6 To increase the travel of the drive nut, turn the adjuster clockwise. To decrease the travel of the nut, turn the adjuster counter clockwise.
NOTE: Use a 1/2" (13 mm) socket to turn the adjuster. Each click of the adjuster will change the nut travel 1/16 inch (1.6 mm).
- 7 After each adjustment, hold the drive nut, run the actuator IN & OUT and check both dimensions. After checking that the drive nut limits are set correctly then replace the adjuster cover. **Service Tip Note:** Use the above power cord adapter to help position the drive nut (in or out) for ease in actuator motor installations.

FIGURE 3



Instructions for Scrub Brush Lift Actuator Drive Nut Adjustment

- 1 See Figures 4 and 5. On a new scrub lift actuator motor remove (spin-off) the Drive Nut (C) and install the short compression Spring (D) onto the actuator (lead screw) shaft first. Next reinstall the plastic drive nut as shown (with the nut pin pocket away from the motor).
- 2 Follow steps 1-7 in the section labeled *Instructions for Squeegee Lift Actuator Drive Nut Adjustment* (reference previous page).
- 3 After adjusting the actuator drive nut (dimensions) follow step 10 (in the *Brush Deck Actuator Removal* manual section) to reassemble.

Service Tip: See Figure 5. Note the correct orientation of the Spring Housing (E) when installing the complete motor assembly and also run the spring housing assembly to the OUT (extended) position for machine installation.

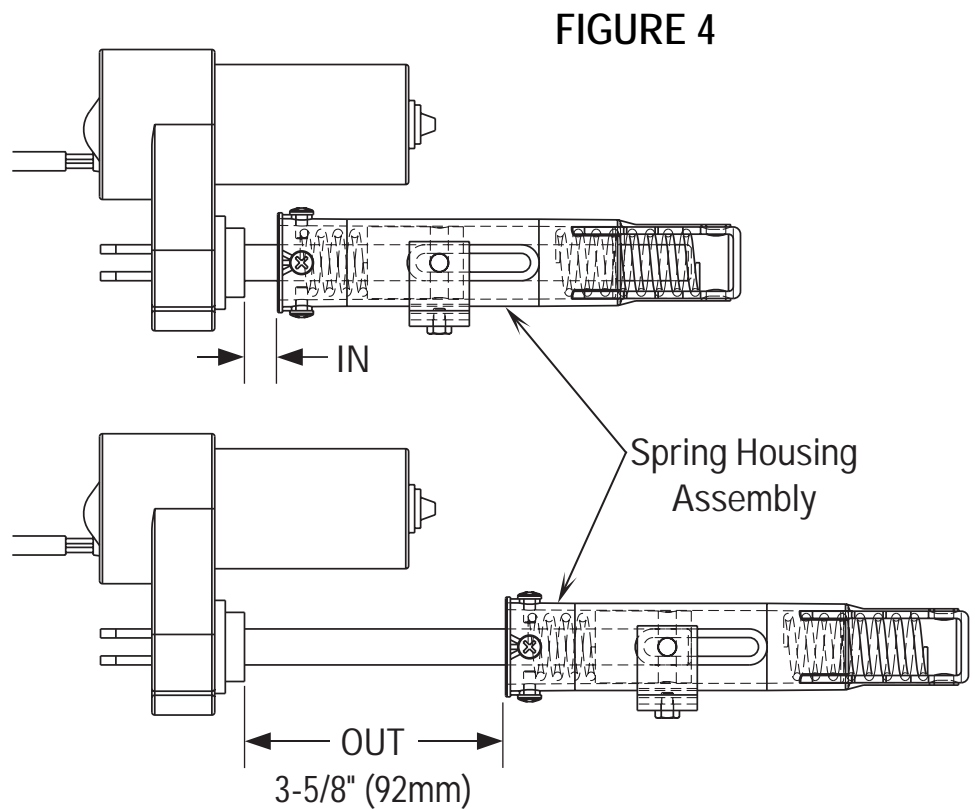
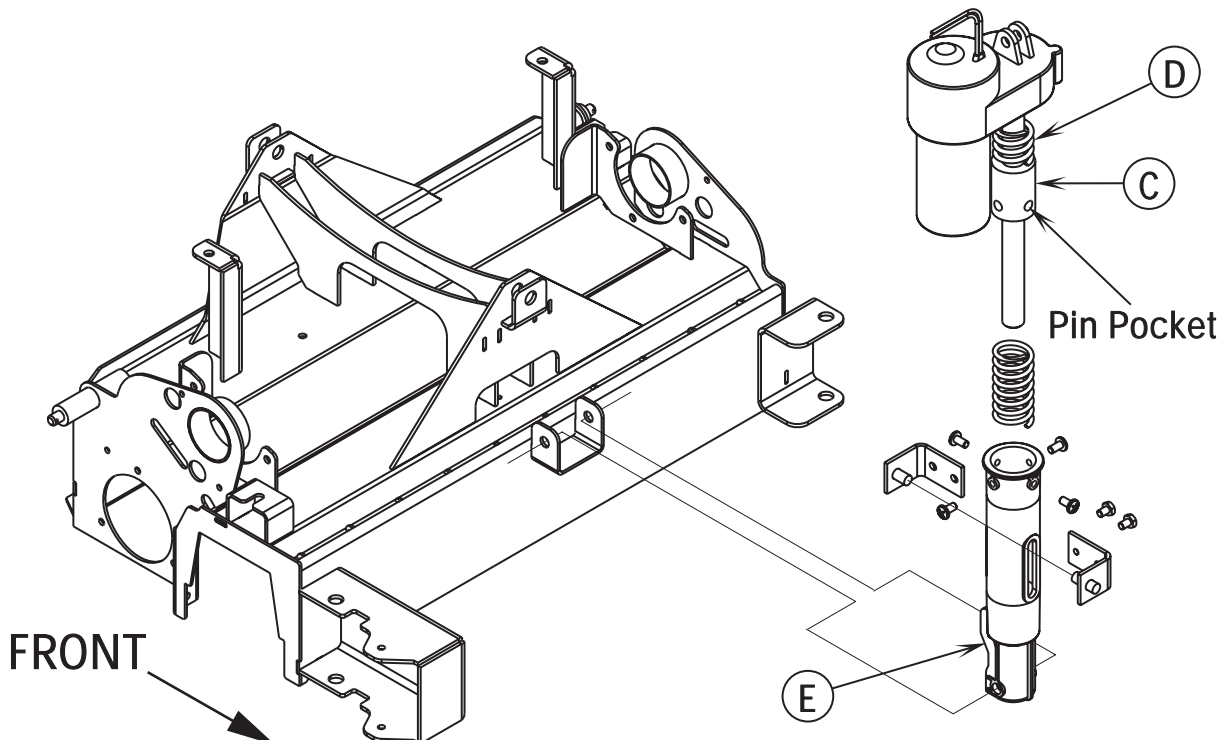


FIGURE 5



ELECTRICAL SYSTEM

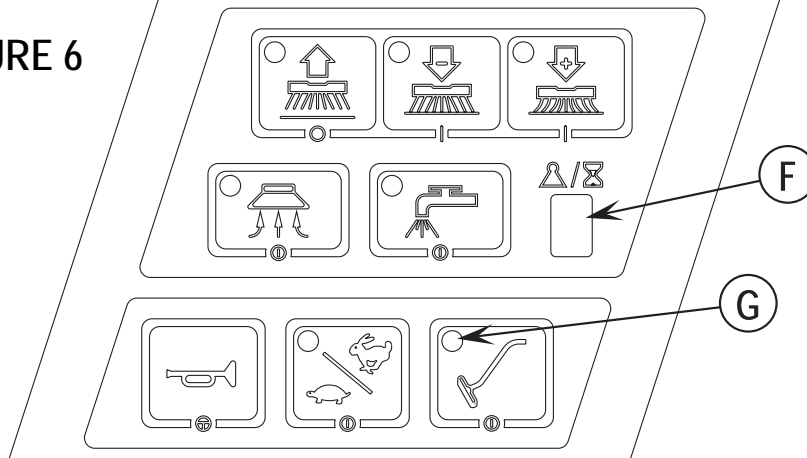
CURTIS CONTROLLER DIAGNOSTICS

Diagnostics Method A: Uses the machine's control panel hourmeter display and wand switch indicator.

FUNCTION OF THE SPEED CONTROLLER STATUS LIGHT AND DISPLAY

The Curtis 1237 speed control will output a fault code if there is a problem associated with the speed control and wheel drive system. See Figure 6. If a speed control fault occurs, the Hourmeter/Status display (F) will indicate "E 03". When the E03 is being displayed and detects a fault the Green Indicator (G) normally the accessory wand indicator light will flash a special error code sequence until the fault is corrected. See "Table 1" for a description of the fault indications. **Service Note:** Instructions on how to read the error code status light. Example, OO O = two light flashes, a short pause, one light flash, a long pause and the code will be repeated. This indicates a fault code 2,1.

FIGURE 6



Diagnostics Method B: Uses the optional handheld Curtis programmer.

PROGRAMMER DIAGNOSTICS

With a programmer, diagnostics and troubleshooting is more direct than with the LED alone. The programmer presents complete diagnostic information in plain language, no codes to decipher. Faults are displayed in the Diagnostic Menu, and the status of the controller inputs/outputs is displayed in the Test Menu.

The following 4-step process is generally used for diagnosing and troubleshooting an inoperative vehicle: (1) visually inspect the vehicle for obvious problems; (2) diagnose the problem, using the programmer; (3) test the circuitry with the programmer; and (4) correct the problem. Repeat the last three steps as necessary until the vehicle is operational.

Example: A vehicle that does not operate in "forward" is brought in for repair.

- 1 Examine the vehicle and its wiring for any obvious problems, such as broken wires or loose connections.
- 2 Connect the programmer, put it in diagnostic mode, and read the displayed fault information. In this example, the display shows "No Faults Present", indicating that the controller has not detected anything out of the norm.
- 3 Put the programmer in test mode, and observe the status of inputs and outputs in the forward direction. In this example, the display shows that the forward input did not activate when "forward" was selected, which means the problem is either in the electronic throttle or the throttle wiring.
- 4 Check or replace the electronic throttle and wiring and repeat the test. If the programmer shows the forward switch closing and the vehicle now drives normally, the problem has been corrected.

Refer to the Status Fault Codes (Table 1) for suggestions covering a wide range of possible faults.

DIAGNOSTIC HISTORY

The handheld programmer can be used to access the controller's diagnostic history file. Connect the programmer, press the MORE INFO key, and then while continuing to hold the MORE INFO key, press the DIAGNOSTICS key. The programmer will read out all the faults that the controller has experienced since the last time the diagnostic history file was cleared. The faults may be intermittent faults, faults caused by loose wires, or faults caused by operator errors. Faults such as HPD or over temperature may be caused by operator habits or by overloading.

After a problem has been diagnosed and corrected, clearing the diagnostic history file is advisable. This allows the controller to accumulate a new file of faults. By checking the new diagnostic history file at a later date, you can readily determine whether the problem was indeed completely fixed.

To clear the diagnostic history file, go to the Special Program Menu (by pressing and holding the MORE INFO key, and then pressing the PROGRAM key), scroll through the menu until "Clear Diagnostic History" is the top line in the display, and then press MORE INFO again. The programmer will prompt you to acknowledge or cancel.

See the *CURTIS PROGRAMMER MANUAL* 56043101 for more detail on programmer operation.

ELECTRICAL SYSTEM

| STATUS LED FAULT CODES (TABLE 1) | | | |
|----------------------------------|----------------------|--------------------------------|--|
| LED CODE | STATUS LIGHT DISPLAY | EXPLANATION | POSSIBLE CAUSE |
| 1,1 | 0 0 | Output fault | 1. Short in motor or in motor wiring. 2. Controller failure. |
| | | Overcurrent fault | 1. Short in motor or in motor wiring. 2. Controller failure. |
| 1,2 | 0 00 | EEPROM fault | 1. EEPROM failure or fault. |
| | | Main contactor fault | 1. Main contactor welded. 2. Main contactor driver fault. 3. Main contactor coil fault. |
| | | Precharge fault | 1. Internal controller fault. 2. Low battery voltage. |
| | | Motor voltage fault | 1. Motor voltage does not correspond to throttle request. 2. M1 or M2 output shorted to B- or B+. 3. Internal motor short. 4. Controller failure. |
| 2,2 | 00 00 | HPD fault | 1. Improper sequence of KSI, power enable, and throttle inputs. 2. Misadjusted throttle pot. |
| 2,3 | 00 000 | HPD fault present for > 5 sec. | 1. Misadjusted throttle. 2. Broken throttle pot. 3. Broken throttle mechanism. |
| 2,4 | 00 0000 | Speed limit pot fault | 1. Speed limit pot wiper wire broken. 2. Broken speed limit pot. |
| 3,3 | 000 000 | Throttle fault | 1. Throttle input wire open. 2. Throttle input wire shorted to B- or B+. 3. Throttle pot defective. 4. Wrong throttle type selected. |
| 4,1 | 0000 0 | Low battery voltage | 1. Battery voltage <16 volts (24V models). 2. Corroded or loose battery terminal. 3. Loose controller terminal. |
| 4,2 | 0000 00 | Overvoltage | 1. Battery voltage >36 volts (24V models). 2. Vehicle operating with charger attached. |
| 4,3 | 0000 000 | Over / Under-temp. cutback | 1. Temperature >95°C (203°F) or <-25°C (-13°F). 2. Excessive load on vehicle. 3. Improper mounting of controller. 4. Operation in extreme environments. |

***NOTE:** A KSI (key switch input) system problem is a specific HPD (high pedal disable) type operational fault, caused by the operator activating the Fwd/Rev drive pedal before turning on the main key switch or activating the throttle before sitting on the seat. This can be cleared by returning the operator's drive pedal to neutral and cycling the key switch OFF and ON.

ELECTRICAL SYSTEM

INSTALLATION CHECKOUT FOR THE CURTIS SPEED CONTROLLER

SAFETY!

The 1237 controller is inherently a high power device. When working around any battery powered vehicle, proper safety precautions should be taken. These include, but are not limited to: proper training, wearing eye protection, avoiding loose clothing and jewelry, and using insulated wrenches.

After installing a controller and before operating the vehicle, carefully complete the following checkout procedure. If you find a problem during the checkout, refer to the *DIAGNOSTICS* section of this chapter for further information.

The installation checkout can be conducted with or without the handheld programmer. The checkout procedure is easier with a programmer otherwise observe the Status LED for codes (located on operator panel wand indicator light). The part number of the handheld programmer is **56409441**. **NOTE:** If you have a programmer with a serial number before 2100 you will need to update your programmer. A free upgrade kit is available, order part number **56409822**. Also a different quad 4 pin programmer cable (PN **56409823**) is needed to link the programmer to the controller plug-in port.

WARNING!

Put the vehicle up on blocks to get the drive wheel off the ground before beginning these tests.

Turn the key switch off and make sure that the seat switch is open, and the throttle is in neutral.

Do not stand, or allow anyone else to stand, directly in front of or behind the vehicle during the tests.

- 1 Remove electrical panel to access controller then observe LED status light on touch pad operator panel wand indicator light. If a programmer is available, connect it to the programmer plug-in port.
- 2 Sit on the seat and turn the key switch on. The programmer should "power up" with an initial display. If neither happens, check for continuity in the key switch circuit and controller ground.
- 3 If you are using a programmer, put it into the diagnostic mode by pressing the *DIAGNOSTICS* key. The display should indicate "No Faults Found". Note: Before pressing the diagnostics key, wait until model # screen appears, if the throttle is activated prior to this screen appearing the controller will shut down.
 - If there is a problem, the LED will flash a diagnostic code and the programmer will display a diagnostic message. If you are conducting the checkout without a programmer, look up the LED diagnostic code in the *DIAGNOSTICS* section of this chapter (**Table 1**).
 - When the problem has been corrected, it may be necessary to cycle the key or seat switch to clear the fault code.
- 4 While sitting on the seat, operate the throttle. The motor should begin to turn in the selected direction. If it does not, verify the wiring to the controller, and the motor. The motor should run proportionally faster with increasing throttle. If not, refer to the *DIAGNOSTICS* section of this chapter (**Table 1**).
- 5 If you are using a programmer, put it into the test mode by pressing the *TEST* key. Scroll down to observe the status of the forward, reverse and brake switch. Cycle each switch in turn, observing the programmer. Each input should show the correct state on the programmer.
- 6 Take the vehicle off the blocks and drive it in an open area. It should have smooth acceleration and good top speed.

PROGRAMMING VEHICLE SPEED CHANGES

The maximum high-speed M1 (transport) and maximum low speed M2 (scrub) can be changed electronically, using the handheld programmer. To change a parameter using the programmer, press the PROGRAM key, and scroll down the Program Menu until the desired parameter is the top line of the display. Press the appropriate CHANGE VALUE key ("up" or "down") until the desired number is reached. The parameter is now set at the desired value. All programming occurs in real time. In other words, the parameters can be changed while the vehicle is in operation.

The upper and lower limits of parameters are set at the factory. Some parameters have dependencies on other parameters. When the programmer is being used to adjust a parameter and a limit is reached, the display will stop changing. To see why the display has stopped changing, press the MORE INFO key. If the limit is related to another parameter, that information will be displayed; changing the value of the related parameter may allow the original parameter to be adjusted further. Otherwise, the display simply says "Max Limit" or "Min Limit."

MAINTENANCE

There are no user-serviceable parts inside the Curtis PMC 1237 controller. No attempt should be made to open the controller. Opening the controller may damage it and will void the warranty.

However, it is recommended that the controller exterior be cleaned periodically, and if a handheld programmer is available, this periodic cleaning provides a good opportunity to check the controller's diagnostic history file.

HANDHELD PROGRAMMER USE

Optional Curtis handheld programmer allows you to program, test and diagnose Curtis controllers. Use of a handheld programmer is described more fully in the CURTIS PROGRAMMER MANUAL 56043101.

ELECTRICAL SYSTEM

FUNCTIONAL OVERVIEW OF MAIN CONTROL BOARD

The primary function of the main control board E1 is to position the scrubbing brush(s) with respect to the floor surface using a lift actuator motor to maintain the correct brush pressure and current draw of the brush motor(s). When either the decrease or increase scrub pressure switch is depressed this will lower the scrub deck to the operating position and by activating the foot pedal start the brush motor. The controller is continuously monitoring the current to the brush motor and when it senses a current draw out of the desired range it automatically raises or lowers the brush deck by turning on the brush actuator motor. This process is repeated until the brush motor is shut off. The controller also manages the other supportive systems such as the squeegee lift, solution on/off, and vacuum motor. Note: See the Know Your Machine system in this manual for a complete explanation of the machine's operation.

The secondary function of the main control is to detect any system failures and display an error code on the hour meter display or store it in the main control board's recall memory mode. The error code(s) are used to help the serviceperson determine the fault and to quickly guide in repairing a specific system malfunction. Note: See the *Troubleshooting Guide* for further information.

An additional special feature of the main control board is to change program settings for a set of specific machine functions. See the *Main Control Board Special Program Options* section in this manual for further information.

TROUBLESHOOTING GUIDE

Any error codes detected by main control board will be displayed on the hour meter LED display as they occur. If more than one-error exists the display will sequence through the error codes at one-second intervals. The error display will show on the hour meter as the letter E followed by a two-digit code. EX: E03 would be a drive system fault. **When troubleshooting any "Fault Description" noted with a double asterisk (**)** follow the instructions for temporarily disabling the control boards special fault detection program. See the *Main Control Board Special Program Options* section in this manual.

MAIN CONTROLLER ERROR CODES

| Error Code | Fault Description | Troubleshooting Action |
|------------|--|---|
| E03 | Drive system fault | 1. Check for a tripped drive motor circuit breaker (70 amp). Investigate reason for possible mechanical over load. Examples: sticking brakes, parking brake not released, prolonged ramp climbing. 2. Observe the green flashing wand indicator light (location operator panel) then see Curtis drive motor controller section to further troubleshoot the drive system (Table 1). |
| E04 | Scrub deck lift actuator overload normal current load 1 - 2.5 Amps max. current load 6 Amps max. current no load 1.4 Amps | 1. Check for binding or frozen brush lift linkage and excessive weight on brush deck. 2. Check for short circuit* in brush motor and wiring. Repair or replace. |
| E05 | Squeegee lift actuator overload normal current load 1 - 1.5 Amps max. current load 6 Amps max. current no load 1.4 Amps | 1. Check for binding or frozen squeegee lift linkage and excessive weight on squeegee. 2. Check for short circuit* in wiring or actuator motor. Repair or replace. |
| E06 | Scrub motor overload Note: See Table #2 Scrub Pressure for detail load current values for the different PA#s. | 1. Check for binding in rotation of brushes or improper brush lift actuator operation. 2. Check the negative supply cable at the brush motor for a wiring problem or improper modifications and also the small YEL/VIO current sense wire. 3. Check to see that the proper brush programming type is selected*** (disc or cyl). 4. Check for short circuit* in brush motor or wiring. 5. Inspect gearbox for failure (disc). Repair or replace. 6. Check excessive belt tension and idler bearing (cyl.). |

*** See the *Main Control Board Special Program Options* section to activate the Brush Type Selection function.

ELECTRICAL SYSTEM

MAIN CONTROLLER ERROR CODES (CONTINUED)

| Error Code | Fault Description | Troubleshooting Action |
|------------|--|---|
| E07 | Vacuum motor overload Normal current load 17-19 Amps (1 motor). Normal current load 34-38 Amps (2 motors) | 1. Check for debris in vac motor. 2. Worn carbon brushes. 3. Defective motor bearings. 4. Check for short circuit* in vac motor or wiring. Repair or replace. |
| E08 | Solution solenoid overload | 1. Check for a wiring problem. 2. Check coil resistance (spec. is 125 Ohms + or - 15%). Replace solution solenoid if lower than 105 Ohms. |
| E17 | Scrub deck lift actuator circuit open (**) | 1. Check for disconnected actuator wiring, open in wiring or defective actuator motor. Repair or replace. 2. Check controller output voltage should be 36V if 0V controller failure (replace). |
| E18 | Scrub deck lift actuator short | 1. Check for binding or frozen brush lift linkage and excessive weight on brush deck. 2. Check for short circuit* in brush lift motor and wiring. Repair or replace. |
| E19 | Squeegee lift actuator circuit open (**) | 1. Check for disconnected actuator wiring, open in wiring or defective actuator motor, Repair or replace. 2. Check controller output voltage should be 36V if 0V controller failure (replace). |
| E20 | Squeegee lift actuator short | Check for binding or frozen squeegee lift linkage and excessive weight on squeegee. 2. Check for short circuit* in wiring or actuator motor. Repair or replace. |
| E21 | Scrub motor circuit open (**) Brush solenoid coil resistance 120 Ohms +/- 10% | 1. Check for open in brush motor wiring or defective motor. 2. Check the negative supply cable at the brush motor for a wiring problem or improper modifications (this is a special cable and must be replaced with the original OEM). 3. Replace defective brush motor contactor. 4. Check if brushes are installed. |
| E22 | Scrub motor short | Same as E06. |
| E23 | Vacuum motor circuit open (**) Vac solenoid coil resistance 120 Ohms +/- 10% | 1. Check for disconnected vacuum motor wiring, open in wiring, defective vacuum motor and vac contactor failure. Repair or replace. 2. Check controller output voltage should be 36V if 0V controller failure (replace). |
| E24 | Vacuum motor short | Same as E07 |
| E25 | Solution solenoid circuit open (**) | 1. Check for disconnected solenoid wiring plug, open in wiring or defective solenoid. Repair or replace. 2. Check controller output voltage should be 36V if 0V controller failure (replace). |
| E26 | Coil / solution solenoid short | 1. Check for a short circuit* in wiring or solenoid coil. Repair or replace. |
| E27 | No accessory / wiring | 1. Loss of battery (pos.) output to all system contactors (brush, solution solenoid and vacuum) and system accessories (headlight, warning beacon, solution pump). 2. Check controller accessory terminal output (J2-8 Wht/Brn wire) voltage should be 36V if 0V controller failure (replace). |

*Short Circuit definition:

- A short circuit is a parallel path of very low resistance, often caused accidentally.
- With low resistance there is an excessive amount of current.
- The excessive current will either melt the wires or open a fusible link.

ELECTRICAL SYSTEM

SERVICE TEST MODE:

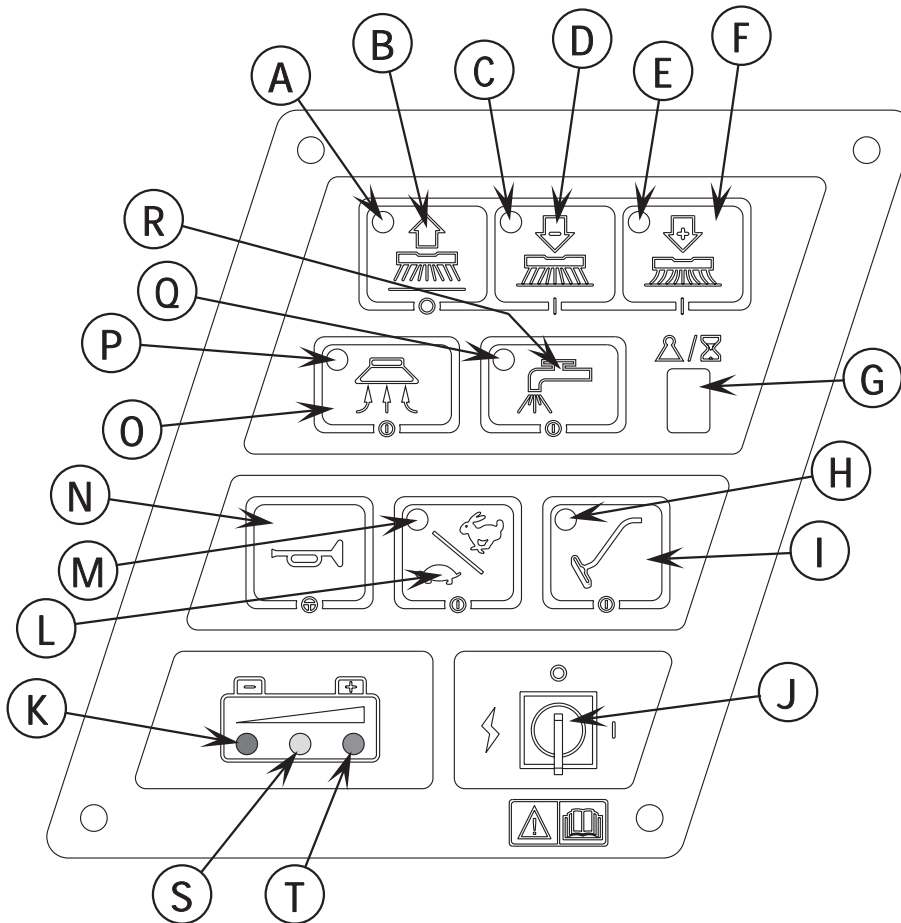
The purpose of the service test mode program is to assist the service repairperson with numerous quick short-cut troubleshooting procedures. These test instructions allow for the separate control of each individual electrical system component independent of the normal machine operator inputs.

To enter the service test mode perform the following steps:

- 1 Turn the main power on/off key switch to the off position.
- 2 Press and hold the Wand Switch (I).
- 3 While holding the wand switch turn the main power on/off key switch to the on position.
- 4 Continue to hold the wand switch until the status display indicates "t" for test mode.
- 5 Release the wand switch.
- 6 The function of each switch and indicator is described in the following pages.
- 7 To exit this mode turn the main power on/off key switch to the off position.

CONTROL PANEL

- | | | | |
|---|------------------------------------|---|------------------------------------|
| A | Scrub OFF Indicator | K | Battery Condition Red Indicator |
| B | Scrub OFF Switch | L | Speed Select Switch |
| C | Scrub Pressure Decrease Indicator | M | Speed Select Indicator |
| D | Scrub Pressure Decrease Switch | N | Horn Switch |
| E | Scrub Pressure Increase Indicator | O | Vacuum Switch |
| F | Scrub Pressure Increase Switch | P | Vacuum System Indicator |
| G | Scrub Pressure / Hourmeter Display | Q | Solution System Indicator |
| H | Wand Switch Indicator | R | Solution Switch |
| I | Wand Switch | S | Battery Condition Yellow Indicator |
| J | Key Switch | T | Battery Condition Green Indicator |



SERVICE TEST MODE (CONTINUED)

Input Indicators:

See Figure 5 for button locations. Note: the seat switch must be closed for any of the following three indicators to be lit.

Battery status red indicator (K):

Speed control forward signal. This indicator will be lit if the forward signal from the speed control is active.

Battery status yellow indicator (S):

Speed control forward/reverse signal. This indicator will be lit if the forward/reverse signal from the speed control is active.

Battery status green indicator (T):

Speed control status signal. This indicator will be lit if the status signal from the speed control is active. If a speed control fault exists, this indicator will flash the fault code from the speed control. Refer to the speed control section for details on these codes.

Status Display (G):

If no over-current faults are present, the status display will show the battery voltage. This display is accurate to within +/- 0.15 volts. Therefore, the voltage displayed may not correlate precisely to a high-accuracy, calibrated voltmeter.

- An example of how 36.0 volts would be displayed is as follows:
- The display will show "3" followed by a brief blank period
- The display will show "6" followed by a brief blank period
- The display will show "." followed by a brief blank period (serves as decimal point)
- The display will show "0" followed by a long blank period
- The above sequence will repeat

If over-current faults are present, the status display will indicate the error codes.

Output Controls:

See Figure 5. The control panel switches are used to control various output functions of the main control unit. Below is a list of each switch and the function it controls. Following the list is a detailed description of each function.

Scrub off switch **(B)**: Controls brush motor(s).

Scrub pressure decrease switch **(D)**: Controls scrub deck lift actuator.

Scrub pressure increase switch **(F)**: Controls squeegee lift actuator.

Vacuum switch **(O)**: Controls vacuum motor(s).

Solution switch **(R)**: Controls solution solenoid.

Horn switch **(N)**: Used to jog actuators.

Speed select switch **(L)**: Selects the various speed control speed limits.

Wand switch **(I)**: If this switch is pressed the wand indicator will illuminate.

Scrub System Off Switch (B):

This switch is used to toggle the state of the brush motor. Pressing and releasing this switch will alternately turn the brush motor on and off. The indicator provides the following status information:

Off - Brush motor output is off and there is no brush motor current sensed.

Steady Green - Brush motor output is on and there is normal brush motor current sensed.

Brief On Green Flash - Brush motor output is off and brush motor current is being sensed (abnormal condition).

Brief Off Green Flash - Brush motor output is on and brush motor current is not being sensed (abnormal condition).

Flashing Red - Brush motor overload has occurred.

ELECTRICAL SYSTEM

SERVICE TEST MODE (CONTINUED)

Scrub ON/Pressure Decrease Switch (D):

This switch is used to control the output to the scrub deck lift actuator. Pressing and releasing this switch will cycle the actuator output through 4 states. These are:

- 1 - output off, direction = up
- 2 - output on, direction = down
- 3 - output off, direction = down
- 4 - output on, direction = up

When the output is in state 1, the actuator output is turned off. The scrub pressure decrease indicator should be off. If the indicator is flashing green, this indicates that the control is sensing current flow through the actuator (shorted output driver, control error). If the scrub pressure decrease switch was the last switch pressed, it is possible to momentarily activate the actuator output using the horn switch. This can be used to jog the actuator to allow precise positioning of the actuator. NOTE: the actuator can only move in this situation if it is not at its up limit.

When the output is in state 2, the actuator output is turned on. The scrub pressure decrease indicator should be green or flashing green. The indicator will be a steady green if the control senses current flow through the actuator. It will flash green if no actuator current flow is sensed (actuator at limit, open circuit, open output driver). The horn switch has no effect in this state.

When the output is in state 3, the actuator output is turned off. The scrub pressure decrease indicator should be off. If the indicator is flashing green, this indicates that the control is sensing current flow through the actuator (shorted output driver, control error). If the scrub pressure decrease switch was the last switch pressed, it is possible to momentarily activate the actuator output using the horn switch. This can be used to jog the actuator to allow precise positioning of the actuator. NOTE: the actuator can only move in this situation if it is not at its down limit.

When the output is in state 4, the actuator output is turned on. The scrub pressure decrease indicator should be green or flashing green. The indicator will be a steady green if the control senses current flow through the actuator. It will flash green if no actuator current flow is sensed (actuator at limit, open circuit, open output driver). The horn switch has no effect in this state.

Scrub ON/Pressure Increase Switch (F):

This switch is used to control the output to the squeegee lift actuator. Pressing and releasing this switch will cycle the actuator output through 4 states. These are:

- 1 - output off, direction = up
- 2 - output on, direction = down
- 3 - output off, direction = down
- 4 - output on, direction = up

When the output is in state 1, the actuator output is turned off. The scrub pressure increase indicator should be off. If the indicator is flashing green, this indicates that the control is sensing current flow through the actuator (shorted output driver, control error). If the scrub pressure increase switch was the last switch pressed, it is possible to momentarily activate the actuator output using the horn switch. This can be used to jog the actuator to allow precise positioning of the actuator. NOTE: the actuator can only move in this situation if it is not at its up limit.

When the output is in state 2, the actuator output is turned on. The scrub pressure increase indicator should be green or flashing green. The indicator will be a steady green if the control senses current flow through the actuator. It will flash green if no actuator current flow is sensed (actuator at limit, open circuit, open output driver). The horn switch has no effect in this state.

When the output is in state 3, the actuator output is turned off. The scrub pressure increase indicator should be off. If the indicator is flashing green, this indicates that the control is sensing current flow through the actuator (shorted output driver, control error). If the scrub pressure increase switch was the last switch pressed, it is possible to momentarily activate the actuator output using the horn switch. This can be used to jog the actuator to allow precise positioning of the actuator. NOTE: the actuator can only move in this situation if it is not at its down limit.

When the output is in state 4, the actuator output is turned on. The scrub pressure increase indicator should be green or flashing green. The indicator will be a steady green if the control senses current flow through the actuator. It will flash green if no actuator current flow is sensed (actuator at limit, open circuit, open output driver). The horn switch has no effect in this state.

Vacuum Switch (O):

This switch is used to toggle the state of the vacuum motor. Pressing and releasing this switch will alternately turn the vacuum motor on and off. The indicator (P) provides the following status information:

Off - Vacuum motor output is off and there is no vacuum motor current sensed.

Steady Green - Vacuum output is on and there is normal vacuum motor current sensed.

Brief On Green Flash - Vacuum motor output is off and vacuum motor current is being sensed (abnormal condition).

Brief Off Green Flash - Vacuum motor output is on and vacuum motor current is not being sensed (abnormal condition).

Flashing Red - Vacuum motor overload has occurred.

SERVICE TEST MODE (CONTINUED)

Solution Switch (R):

This switch is used to toggle the state of the solution solenoid. Pressing and releasing this switch will alternately turn the solution solenoid on and off. The indicator (Q) provides the following status information:

Off - Solenoid output is off.

Green - Solenoid output is on.

Flashing Red – Solution solenoid / contactor coil overload has occurred.

Horn Switch (N):

This switch is used to momentarily activate either the scrub deck lift actuator or the squeegee lift actuator. See the descriptions above for more details.

Fast / Slow Switch (L):

This switch is used to toggle the state of the multimode output to the speed control. This is used to select which speed limit the speed control uses. Pressing and releasing this switch will alternately turn the multimode output on and off. The indicator (M) provides the following status information:

Steady Green – Speed control mode 1 is selected (transport speed).

Brief Off Green Flash – Speed control mode 2 is selected (scrub speed).

Wand Switch (I):

This switch does not control any output functions. Pressing this switch will illuminate the wand indicator.

ELECTRICAL SYSTEM

MAIN CONTROL BOARD SPECIAL PROGRAM OPTIONS

Displaying the Control Unit Revision Level:

If it is desired to view the revision level of the control unit perform the following steps:

- 1 Turn the main power key switch to the off position.
- 2 Press and hold the **scrub system off switch** and the **speed select switch**.
- 3 While holding both switches turn the main power key switch to the on position.
- 4 Continue to hold both switches until the speed select indicator is flashing.
- 5 Release both switches.
- 6 The status display will now indicate the revision level of the control unit. The displayed value will be a letter from A to Z.
- 7 To exit this mode, turn the main power key switch to the off position.

Selection of Low Voltage Cutout Threshold:

FACTORY DEFAULT: S (STANDARD)

The Adgressor – BR 850S and BR 850CS are equipped with a low voltage cutout feature to prevent over-discharging the batteries. This feature will automatically shut down the scrub system when the battery voltage falls to the selected threshold. The cutout level is adjustable. The *standard* setting is 31 volts (1.72 volts per cell) and the *alternate* setting is 32.5 volts (1.81 volts per cell). Select the proper cutout level based on the battery manufacturer's specifications. *It is important to note that some maintenance free batteries (including some gelled electrolyte cells) are capable of being safely discharged down to 1.72 volts per cell.* To select between the two cutout levels:

- 1 Turn the main power key switch to the off position.
- 2 Press and hold the **scrub system off switch**.
- 3 While holding the scrub system off switch turn the main power key switch to the on position.
- 4 Continue to hold the scrub system off switch until the scrub off indicator turns green.
- 5 Release the scrub off switch.
- 6 The status display will now show "S" or "A". Pressing and releasing the scrub off switch will now select between the two options. For the standard cutout level, select "S". For the alternate cutout level, select "A".
- 7 To save the new setting, turn the main power key switch to the off position.
- 8 The new setting will be saved and will remain in effect until it is changed again.

SPECIAL PROGRAM OPTIONS (CONTINUED)

Selection of Scrub Switch Operation and Scrub Pressure Limits:

FACTORY DEFAULT: MODE = 3 (PRESSURE INCREASE/DECREASE MODE), LIMIT = 3 (MAXIMUM)

The scrub system switches on the Adgressor/BR 850S and 850CS can be programmed to operate a number of different ways. The operation of the scrub mode switches is described in the user manual. Following is a description of how to program the control for each mode of operation:

Operation mode 0: Two fixed pressure settings.

Operation mode 1: Adjustable pressure, increase/decrease mode, nine pressure settings (Advenger mode).

Operation mode 2: Adjustable pressure, light/heavy pressure modes, nine pressure settings.

Operation mode 3: Adjustable pressure, increase/decrease mode, three pressure settings, full pressure range.

Operation mode 4: Adjustable pressure, increase/decrease mode, three pressure settings, low pressure range.

Operation mode 5: Adjustable pressure, increase/decrease mode, three pressure settings, high pressure range.

See the chart below for the equivalent pressure settings for modes 3, 4, and 5.

| Adgressor Pressure Settings | | | |
|------------------------------------|-------------------------------|--------------------------------|--------------------------------|
| Equivalent Pressure Settings (1-9) | | | |
| Displayed Pressure Setting | Program Option 3 (Full Range) | Program Option 4 (Light Range) | Program Option 5 (Heavy Range) |
| 1 | 2 | 1 | 3 |
| 2 | 5 | 4 | 6 |
| 3 | 9 | 7 | 9 |

NOTE: There are three control panel switches associated with the scrub system. The left-most switch is the *scrub system off switch*. The center switch is mainly referred to as the *scrub pressure decrease switch*. Depending on the scrub switch operating mode, this switch may also be referred to as the *light scrub pressure select switch*. The right-most switch is mainly referred to as the *scrub pressure increase switch*. Depending on the scrub switch operating mode, this switch may also be referred to as the *heavy scrub pressure select switch*.

Pressure Increase / Decrease Mode with 3 Pressure Settings (Factory Default)

- 1 Turn the **main power key switch** to the **off** position.
- 2 Press and hold the **scrub pressure decrease switch**.
- 3 While holding the pressure decrease switch turn the **main power key switch** to the **on** position.
- 4 Continue to hold the pressure decrease switch until the scrub pressure decrease indicator is green.
- 5 Release the pressure decrease switch.
- 6 Pressing and releasing the **scrub pressure decrease switch** will now select between 0, 1, 2, 3, 4, or 5. **Set the mode to 3, 4, or 5 depending on the range of pressure desired (see above).**
- 7 Press the **scrub system off switch** to save this setting.
- 8 The status display will now show "d" to indicate that the procedure is done.
- 9 The new setting will be saved and will remain in effect until it is changed again.

Pressure Increase / Decrease Mode with 9 Pressure Settings (Advenger Mode)

- 1 Turn the **main power key switch** to the **off** position.
- 2 Press and hold the **scrub pressure decrease switch**.
- 3 While holding the pressure decrease switch turn the **main power key switch** to the **on** position.
- 4 Continue to hold the pressure decrease switch until the scrub pressure decrease indicator is green.
- 5 Release the pressure decrease switch.
- 6 Pressing and releasing the **scrub pressure decrease switch** will now select between 0, 1, 2, 3, 4, or 5. **Set the mode to 1.**
- 7 Press the **scrub system off switch** to save this setting.
- 8 The status display will now show a number from 1 to 3. This represents the maximum scrub pressure that the operator will be able to select. Use the **pressure decrease switch** to set the desired pressure limit.
- 9 Press the **scrub system off switch** to save this setting.
- 10 The status display will now show "d" to indicate that the procedure is done.
- 11 The new setting will be saved and will remain in effect until it is changed again.

ELECTRICAL SYSTEM

SPECIAL PROGRAM OPTIONS (CONTINUED)

Fixed Pressure Mode

- 1 Turn the **main power key switch** to the **off** position.
- 2 Press and hold the **scrub pressure decrease switch**.
- 3 While holding the pressure decrease switch turn the **main power key switch** to the **on** position.
- 4 Continue to hold the pressure decrease switch until the scrub pressure decrease indicator is green.
- 5 Release the pressure decrease switch.
- 6 Pressing and releasing the **scrub pressure decrease switch** will now select between 0, 1, 2, 3, 4, or 5. **Set the mode to 0.**
- 7 Press the **scrub system off switch** to save this setting.
- 8 The status display will now show a number from 1 to 5. This represents the scrub pressure that the operator will be able to select using the light scrub pressure select switch. Use the **pressure decrease switch** to set the desired pressure.
- 9 Press the **scrub system off switch** to save this setting.
- 10 The status display will now show a number from (1 + the setting from step 8) to 9. This represents the scrub pressure that the operator will be able to select using the heavy scrub pressure select switch. The scrub pressure increase indicator will now be illuminated. Use the **pressure increase switch** to set the desired pressure.
- 11 Press the **scrub system off switch** to save this setting.
- 12 The status display will now show "d" to indicate that the procedure is done.
- 13 The new setting will be saved and will remain in effect until it is changed again.

Light / Heavy Scrub Mode

- 1 Turn the **main power key switch** to the **off** position.
- 2 Press and hold the **scrub pressure decrease switch**.
- 3 While holding the pressure decrease switch turn the **main power key switch** to the **on** position.
- 4 Continue to hold the pressure decrease switch until the scrub pressure decrease indicator is green.
- 5 Release the pressure decrease switch.
- 6 Pressing and releasing the **scrub pressure decrease switch** will now select between 0, 1, 2, 3, 4, or 5. **Set the mode to 2.**
- 7 Press the **scrub system off switch** to save this setting.
- 8 The status display will now show a number from 1 to 5. This represents the maximum scrub pressure that the operator will be able to select using the light scrub pressure select switch. Use the **pressure decrease switch** to set the desired pressure.
- 9 Press the **scrub system off switch** to save this setting.
- 10 The status display will now show a number from (1 + the setting from step 8) to 9. This represents the maximum scrub pressure that the operator will be able to select using the heavy scrub pressure select switch. The scrub pressure increase indicator will now be illuminated. Use the **pressure increase switch** to set the desired pressure.
- 11 Press the **scrub system off switch** to save this setting.
- 12 The status display will now show "d" to indicate that the procedure is done.
- 13 The new setting will be saved and will remain in effect until it is changed again.

SCRUB PRESSURE (PA#) & CURRENT LOAD (AMPS) SPECIFICATIONS (TABLE 2)

| PA# | 1 | 2 | 3 | 4 | 5 | 6 | 7 | 8 | 9 |
|--|------|------|------|------|------|------|------|------|------|
| 2820D 3220D / BR850S (Disc) 1-1/2 HP | 15.0 | 17.5 | 20.0 | 22.5 | 25.0 | 27.5 | 30.0 | 32.5 | 35.0 |
| 2820C / 3220C BR850CS 3520C / 3820C (All Cyl.) (2) 3/4 HP | 15.0 | 17.5 | 20.0 | 22.5 | 25.0 | 27.5 | 30.0 | 32.5 | 35.0 |
| 3520D / 3820D (Disc) (3) .6 HP | 19 | 22 | 25 | 28 | 31 | 34 | 37 | 40 | 43 |

* Values given are approximate.

SPECIAL PROGRAM OPTIONS (CONTINUED)

Restoring the scrub modes and pressures to factory default settings:

FACTORY DEFAULT: MODE = 3 (PRESSURE INCREASE/DECREASE MODE), LIMIT = 3 (MAXIMUM)

If it is desired to restore the scrub switch operating mode and pressure limit to the default setting, perform the following steps:

- 1 Turn the **main power key switch** to the **off** position.
- 2 Press and hold the **scrub pressure increase switch**.
- 3 While holding the pressure increase switch turn the **main power key switch** to the **on** position.
- 4 Continue to hold the pressure increase switch until the scrub pressure increase indicator is green.
- 5 Release the pressure increase switch. The status display will now indicate "d" for done
- 6 The scrub switch operating mode and pressure limits have now been restored.
- 7 Turn the **main power key switch** to the **off** position.

Turning the Automatic Vacuum Shutoff Option On or Off:

FACTORY DEFAULT: ON

The Adgressor/BR 850S and 850CS are equipped with a feature that will automatically shut off the vacuum and scrub systems and display "FULL" on the status display if the recovery tank becomes filled. If problems are encountered with the vacuum automatic shutoff feature, such as the vacuum shutting off even if the recovery tank is not full, this feature can be turned off (see also, vacuum auto-shutoff threshold adjustment). To turn this feature on or off perform the following steps:

- 1 Turn the main power key switch to the off position.
- 2 Press and hold the **vacuum switch**.
- 3 While holding the vacuum switch turn the main power key switch to the on position.
- 4 Continue to hold the vacuum switch until the vacuum indicator is green.
- 5 Release the vacuum switch. The status display will now indicate "E" or "d".
- 6 Pressing and releasing the vacuum switch will now select between "E" for enabled or "d" for disabled. Enabled means that the automatic shutoff feature is turned on, disabled means that the automatic shutoff feature is turned off.
- 7 To save the new setting, turn the main power key switch to the off position.
- 8 The new setting will be saved and will remain in effect until it is changed again.

Vacuum Automatic Shut-off Threshold Adjustment:

FACTORY DEFAULT: 4

The sensitivity of the automatic vacuum shut-off feature can be adjusted if necessary. This adjustment sets the amount of change required in the vacuum power consumption to cause the control unit to indicate a full recovery tank condition. The setting is adjustable from 0 to 9. 0 is the minimum sensitivity, 9 is the maximum sensitivity. If the unit falsely indicates a tank full condition, try setting this parameter to a lower value. If the control unit fails to shut the vacuum system off when the recovery tank float ball plugs the vacuum inlet, try setting this parameter to a higher value. To adjust the vacuum shut-off sensitivity perform the following steps:

- 1 Turn the main power key switch to the off position.
- 2 Press and hold the **scrub pressure decrease** and the **solution switch**.
- 3 While holding both switches turn the main power key switch to the on position.
- 4 Continue to hold both switches until the solution indicator is flashing yellow.
- 5 Release both switches. The status display will now indicate a number from 0 to 9 depending on the threshold setting.
- 6 Pressing and releasing the solution switch will now select the threshold level. The level will increment from 0 to 9. 0 = minimum sensitivity, 9 = maximum sensitivity.
- 7 To save the new setting turn the main power key switch to the off position.
- 8 The new setting will be saved and will remain in effect until it is changed again.

ELECTRICAL SYSTEM

SPECIAL PROGRAM OPTIONS (CONTINUED)

Recall Of Stored Error Codes:

Whenever an electrical system fault is detected by the main control unit, one or more error codes are displayed and stored by the control unit. If it is desired, the error code (if any) from the previous operation of the machine can be recalled for troubleshooting purposes. To recall the last stored error codes perform the following steps:

- 1 Turn the main power key switch to the off position.
- 2 Press and hold the **solution switch**.
- 3 While holding the solution switch, turn the main power key switch to the on position.
- 4 Continue to hold the solution switch until the solution indicator is green.
- 5 Release the solution switch.
- 6 If there were previously no error codes stored, the display will now show "-". Go to step 11.
- 7 If error codes were stored, the display will now show the stored code(s) and the scrub system off indicator will now be red. An example of how two codes, 6 and 18, would be displayed is as follows:
 - The display will show "E" followed by a brief blank period
 - The display will show "0" followed by a brief blank period
 - The display will show "6" followed by a slightly longer blank period
 - The display will show "E" followed by a brief blank period
 - The display will show "1" followed by a brief blank period
 - The display will show "8" followed by a long blank period
 - The above sequence will repeat
- 8 To pause the display, press and hold the solution switch.
- 9 To clear the stored codes press and release the scrub system off switch. The display will now show "-". Go to step 11.
- 10 If it is desired to save the codes, go to step 11.
- 11 To exit the error code recall mode, turn the main power key switch to the off position.

Turning Fault Detection On or Off:

FACTORY DEFAULT: ON

Normally, the main control unit will perform checks of the electrical system during operation. If a fault occurs in a particular system that system (and possibly others) will be shut down. This can make troubleshooting the system difficult. This option will allow service personnel to disable some of the fault detection checks to facilitate troubleshooting. This will *not* disable the over-current protection on any of the systems. To turn the fault checking on or off:

- 1 Turn the main power key switch to the off position.
- 2 Press and hold the **scrub system off switch** and the **solution switch**.
- 3 While holding both switches turn the main power key switch to the on position.
- 4 Continue to hold both switches until the solution indicator is yellow.
- 5 Release both switches. The status display will now indicate "E" or "d".
- 6 Pressing and releasing the solution switch will now select between "E" for enabled or "d" for disabled. Enabled means that the fault checking is turned on, disabled means that the fault checking is turned off.
- 7 To save the new setting turn the main power key switch to the off position.
- 8 The new setting will be saved and will remain in effect until it is changed again.

SPECIAL PROGRAM OPTIONS (CONTINUED)

Turning the High Speed Scrub Option On or Off:

FACTORY DEFAULT: ON

The control system on the Adgressor/BR 850S and 850CS are programmed to limit the maximum speed while scrubbing to a value less than that allowed for driving when not scrubbing. The speed select switch on the control panel will override this speed limit feature and allow scrubbing at maximum speed. If it is desired to prevent scrubbing at this faster speed the speed select feature can be turned off. To turn this feature on or off perform the following steps:

- 1 Turn the main power key switch to the off position.
- 2 Press and hold the **speed select switch**.
- 3 While holding the speed select switch turn the main power key switch to the on position.
- 4 Continue to hold the speed select switch until the speed select indicator is green.
- 5 Release the speed select switch. The status display will now indicate "E" or "d".
- 6 Pressing and releasing the speed select switch will now select between "E" for enabled or "d" for disabled. Enabled means that the high speed scrub feature is turned on, disabled means that the high speed scrub feature is turned off.
- 7 To save the new setting turn the main power key switch to the off position.
- 8 The new setting will be saved and will remain in effect until it is changed again.

Scrub Deck Motor Type Selection:

FACTORY DEFAULT: MODE = S (SCRUBBER), SIZE: 8 IF 28" OR 32" DISC OR ANY CYLINDRICAL DECK, "L" IF 35" OR 38" DECK.

The Adgressor/BR 850S and 850CS can be equipped with numerous scrub deck options. This function configures the control unit current settings for each of the scrub deck types. Improper setting of the motor type may result in motor damage due to overloading. To select the proper scrub deck motor type:

- 1 Turn the **main power key switch** to the **off** position.
- 2 Press and hold the **scrub system off** and **scrub pressure increase switches**.
- 3 While holding both switches turn the **main power key switch** to the **on** position.
- 4 Continue to hold both switches until the scrub pressure increase indicator is yellow.
- 5 Release both switches. The status display will now indicate "S" or "E".
- 6 Pressing and releasing the **scrub pressure increase switch** will now select between "S" for scrubber and "E" for extractor. **Make sure that "S" is displayed.**
- 7 Press the **scrub system off switch** to save this setting.
- 8 The status display will now display "4", "6", "8" or "L". Pressing the **scrub pressure increase switch** will now select between the four settings. Select "8" if the machine is equipped with a 28" or 32" disc-type scrub deck or any size cylindrical scrub deck. Select "L" if the deck is equipped with a 35" or 38" disc-type scrub deck.

CAUTION!

Improperly setting this parameter can result in serious damage to the machine. If this is set for motors not installed on the machine, the motors may be overloaded which can cause overheating and permanent damage to the motors. It could also create a fire hazard.

ELECTRICAL SYSTEM

SPECIAL PROGRAM OPTIONS (CONTINUED)

Single or Dual Vacuum Motor Selection:

FACTORY DEFAULT: 1 (SINGLE VACUUM MOTOR)

The Adgressor/BR 850S and 850CS comes with a standard single vacuum motor. A dual vacuum motor option is available. The control unit must be programmed for the number of vacuum motors installed to provide the proper overload protection. To program the control for the number of vacuum motors perform the following steps:

- 1 Turn the main power key switch to the off position.
- 2 Press and hold the **scrub system off** and **vacuum switches**.
- 3 While holding both switches turn the main power key switch to the on position.
- 4 Continue to hold both switches until the vacuum indicator is yellow.
- 5 Release both switches. The status display will now indicate "1" or "2".
- 6 Pressing and releasing the vacuum switch will now select between "1" for a single vacuum motor or "2" for dual vacuum motors.
- 7 To save the new setting turn the main power key switch to the off position.
- 8 The new setting will be saved and will remain in effect until it is changed again.

Control Unit Sleep Delay Period:

FACTORY DEFAULT: 1 (10 MINUTES)

If the Adgressor/BR 850S and 850CS are left in an idle state for a period determined by the sleep delay setting the control unit will automatically raise the scrub deck, raise the squeegee, and turn off any accessories. This is to conserve battery power. The sleep period is adjustable from 10 to 90 minutes in 10 minute increments. It can also be turned off. To change the sleep delay period perform the following steps:

- 1 Turn the main power key switch to the off position.
- 2 Press and hold the **scrub system off** and the **wand switch**.
- 3 While holding both switches turn the main power key switch to the on position.
- 4 Continue to hold both switches until the wand indicator is flashing.
- 5 Release both switches. The status display will now indicate a number from 0 to 9 depending on the current sleep delay period.
- 6 Pressing and releasing the wand switch will now select the delay period. The level will increment from 0 to 9; 0 = off (sleep disabled), 1 = 10 minutes, 2 = 20 minutes, ... up to 9 = 90 minutes.
- 7 To save the new setting turn the main power key switch to the off position.
- 8 The new setting will be saved and will remain in effect until it is changed again.

Squeegee Raise-In-Reverse Time Period Adjustment:

FACTORY DEFAULT: 5 (2.0 SECONDS)

When backing up with the recovery system active, the control unit will automatically raise the squeegee just enough to prevent dragging on the floor. The time that the squeegee is raised is adjustable from 1 to 4.8 seconds in .2 second increments. To adjust the distance the squeegee is raised in reverse perform the following steps:

- 1 Turn the **main power key switch** to the **off** position.
- 2 Press and hold the **scrub pressure decrease** and the **vacuum switch**.
- 3 While holding both switches turn the **main power key switch** to the **on** position.
- 4 Continue to hold both switches until the vacuum indicator is flashing yellow.
- 5 Release both switches. The status display will now indicate a number from 0 to 19 depending on the current time period. NOTE: If the decimal point is not illuminated the display is indicating 0 – 9. If the decimal point is illuminated the display is indicating 10 – 19.
- 6 Pressing and releasing the **vacuum switch** will now select the time period. The level will increment from 0 to 19. 0 = 1 second, 1 = 1.2 seconds, 2 = 1.4 seconds, ... up to 19 = 4.8 seconds.
- 7 To save the new setting, turn the **main power key switch** to the **off** position.
- 8 The new setting will be saved and will remain in effect until it is changed again.

SPECIAL PROGRAM OPTIONS (CONTINUED)

Back-up Alarm Volume Control:

FACTORY DEFAULT: 0 (OFF)

The Adgressor/BR 850S and BR850CS are equipped with an audible warning device which functions as a horn, a back-up alarm, and a forward annunciator. The volume of the back-up alarm can be adjusted to one of ten settings. 1 is the minimum setting and 9 is the maximum setting, 0 is off. To change the back-up alarm volume perform the following steps:

- 1 Turn the main power key switch to the off position.
- 2 Press and hold the **horn switch**.
- 3 While holding the horn switch turn the main power key switch to the on position.
- 4 Continue to hold the horn switch until the red battery status indicator is lit and the status display shows a number from 0 to 9 depending on the current volume setting.
- 5 Release the horn switch.
- 6 Pressing and releasing the horn switch will now select the volume level. The level will increment from 0 to 9, 9 being the loudest. To hear the back-up alarm volume select the reverse direction by pressing lightly on the throttle.
- 7 To save the new setting turn the main power key switch to the off position.
- 8 The new setting will be saved and will remain in effect until it is changed again.

Forward Annunciator Volume Control:

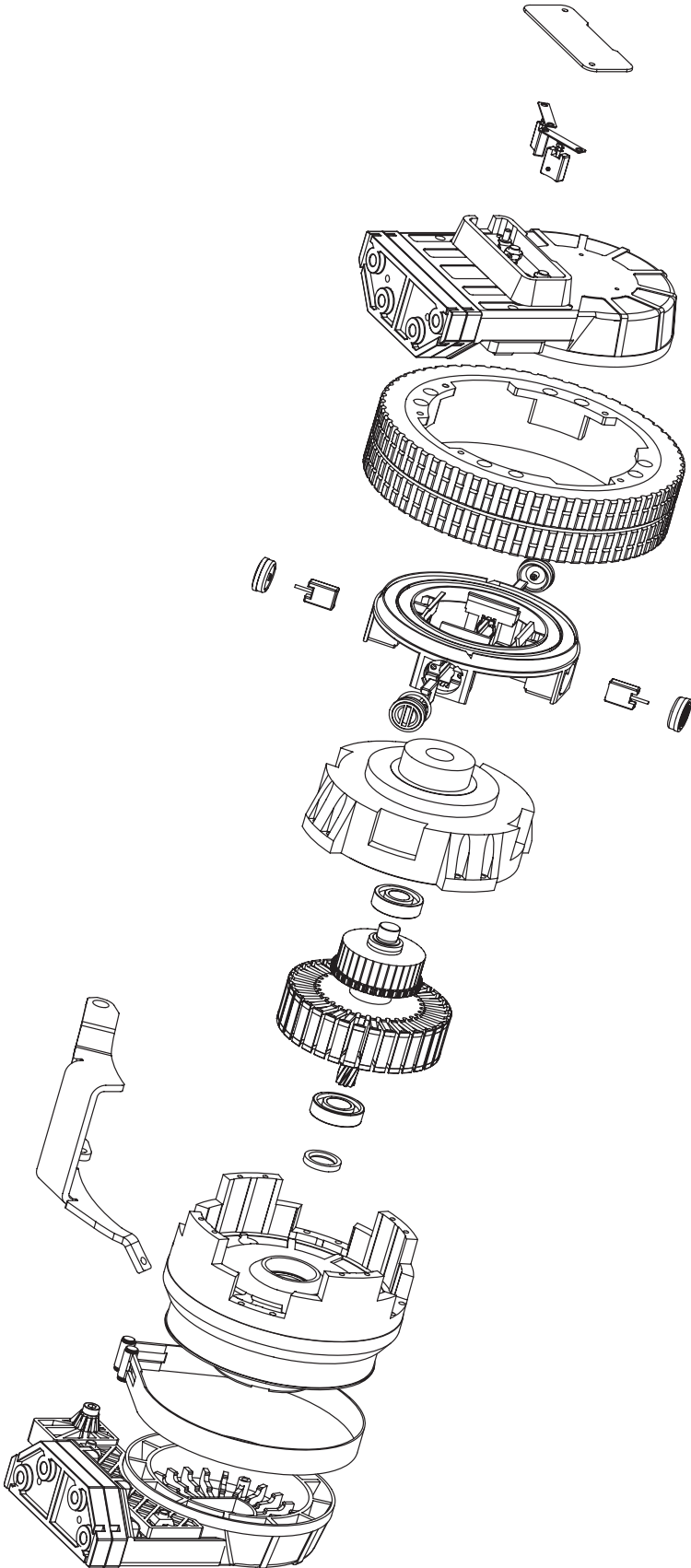
FACTORY DEFAULT: 0 (OFF)

The Adgressor/BR 850S and 850CS are equipped with an audible warning device which functions as a horn, a back-up alarm, and a forward annunciator. The volume of the forward annunciator can be adjusted to one of ten settings. 1 is the minimum setting and 9 is the maximum setting, 0 is off. To change the forward annunciator volume perform the following steps:

- 1 Turn the main power key switch to the off position.
- 2 Press and hold the **scrub system off** and the **horn switch**.
- 3 While holding both switches turn the main power key switch to the on position.
- 4 Continue to hold both switches until the green battery status indicator is lit and the status display shows a number from 0 to 9 depending on the current volume setting.
- 5 Release the horn switch.
- 6 Pressing and releasing the horn switch will now select the volume level. The level will increment from 0 to 9, 9 being the loudest. To hear the forward annunciator volume select the forward direction by pressing lightly on the throttle.
- 7 To save the new setting, turn the main power key switch to the off position.
- 8 The new setting will be saved and will remain in effect until it is changed again.

ELECTRICAL SYSTEM

Drive Motor Breakdown

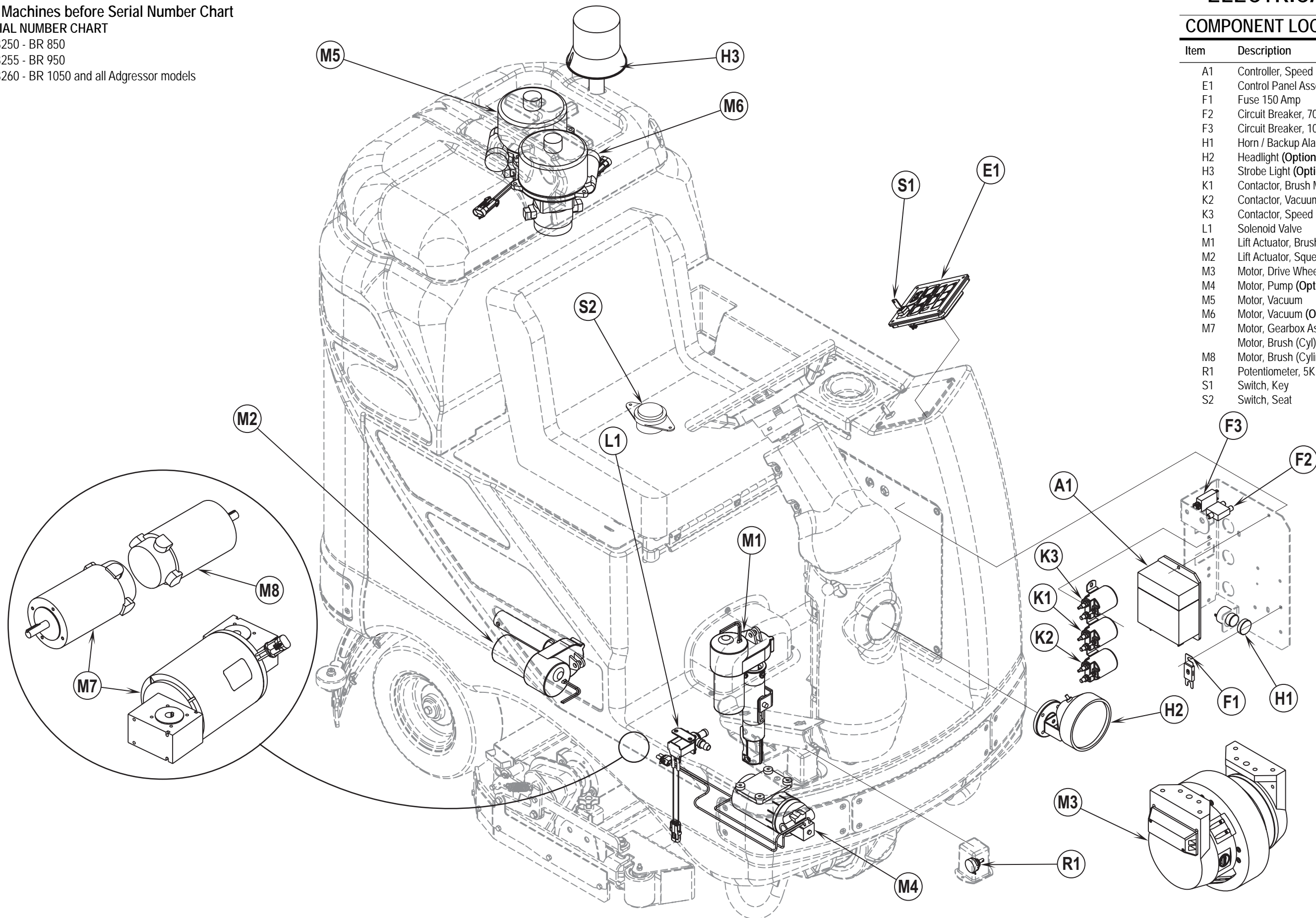


For Machines before Serial Number Chart
 SERIAL NUMBER CHART
 1863250 - BR 850
 1863255 - BR 950
 1863260 - BR 1050 and all Adgressor models

ELECTRICAL SYSTEM

COMPONENT LOCATION

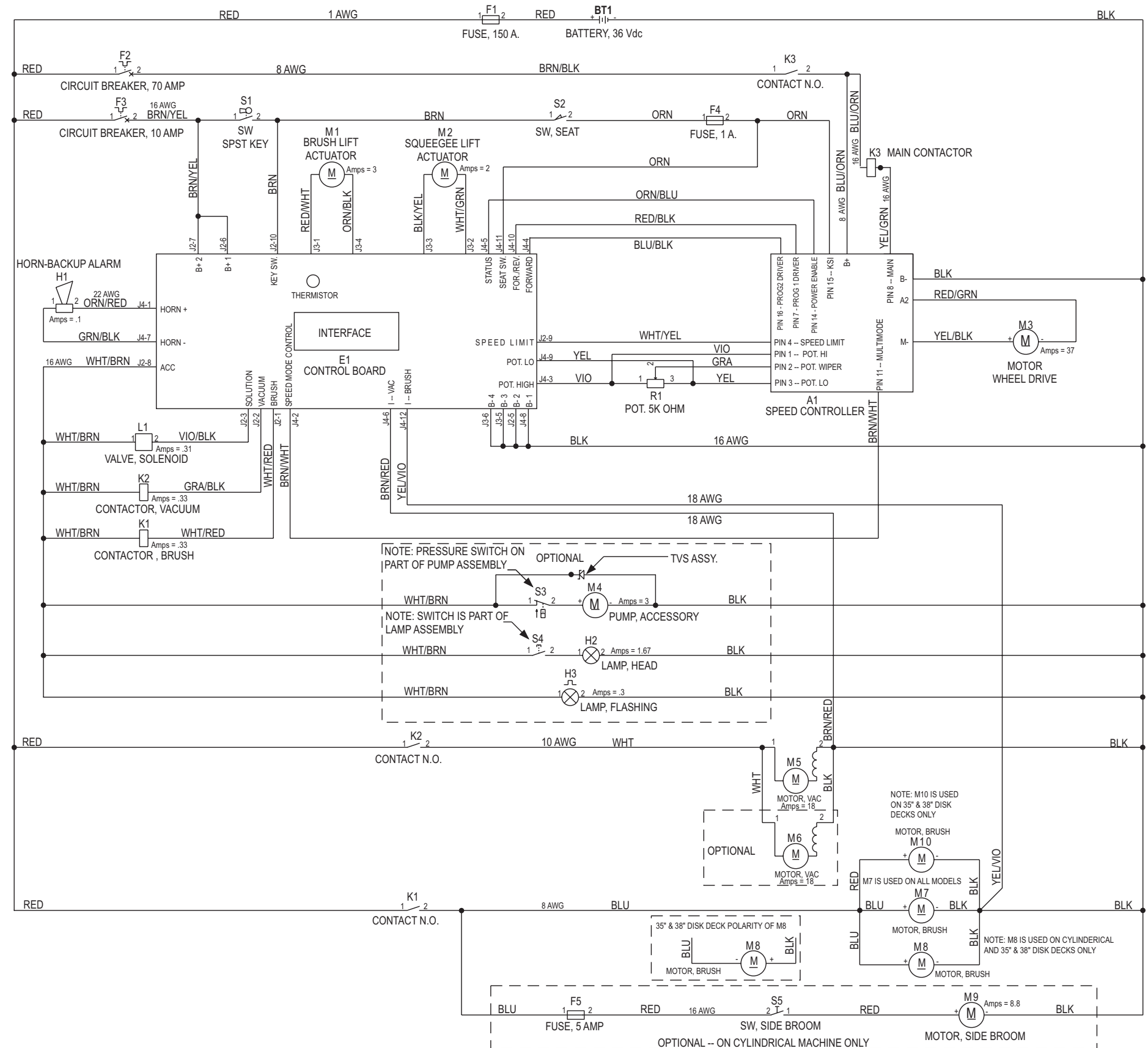
| Item | Description |
|------|--|
| A1 | Controller, Speed |
| E1 | Control Panel Assembly |
| F1 | Fuse 150 Amp |
| F2 | Circuit Breaker, 70 Amp (Wheel Drive) |
| F3 | Circuit Breaker, 10 Amp (Control Circuit) |
| H1 | Horn / Backup Alarm |
| H2 | Headlight (Optional) |
| H3 | Strobe Light (Optional) |
| K1 | Contactors, Brush Motor |
| K2 | Contactors, Vacuum Motor |
| K3 | Contactors, Speed Controller |
| L1 | Solenoid Valve |
| M1 | Lift Actuator, Brush |
| M2 | Lift Actuator, Squeegee |
| M3 | Motor, Drive Wheel |
| M4 | Motor, Pump (Optional) |
| M5 | Motor, Vacuum |
| M6 | Motor, Vacuum (Optional) |
| M7 | Motor, Gearbox Assembly (Disc) or Motor, Brush (Cyl) |
| M8 | Motor, Brush (Cylindrical only) |
| R1 | Potentiometer, 5K |
| S1 | Switch, Key |
| S2 | Switch, Seat |



ELECTRICAL SYSTEM

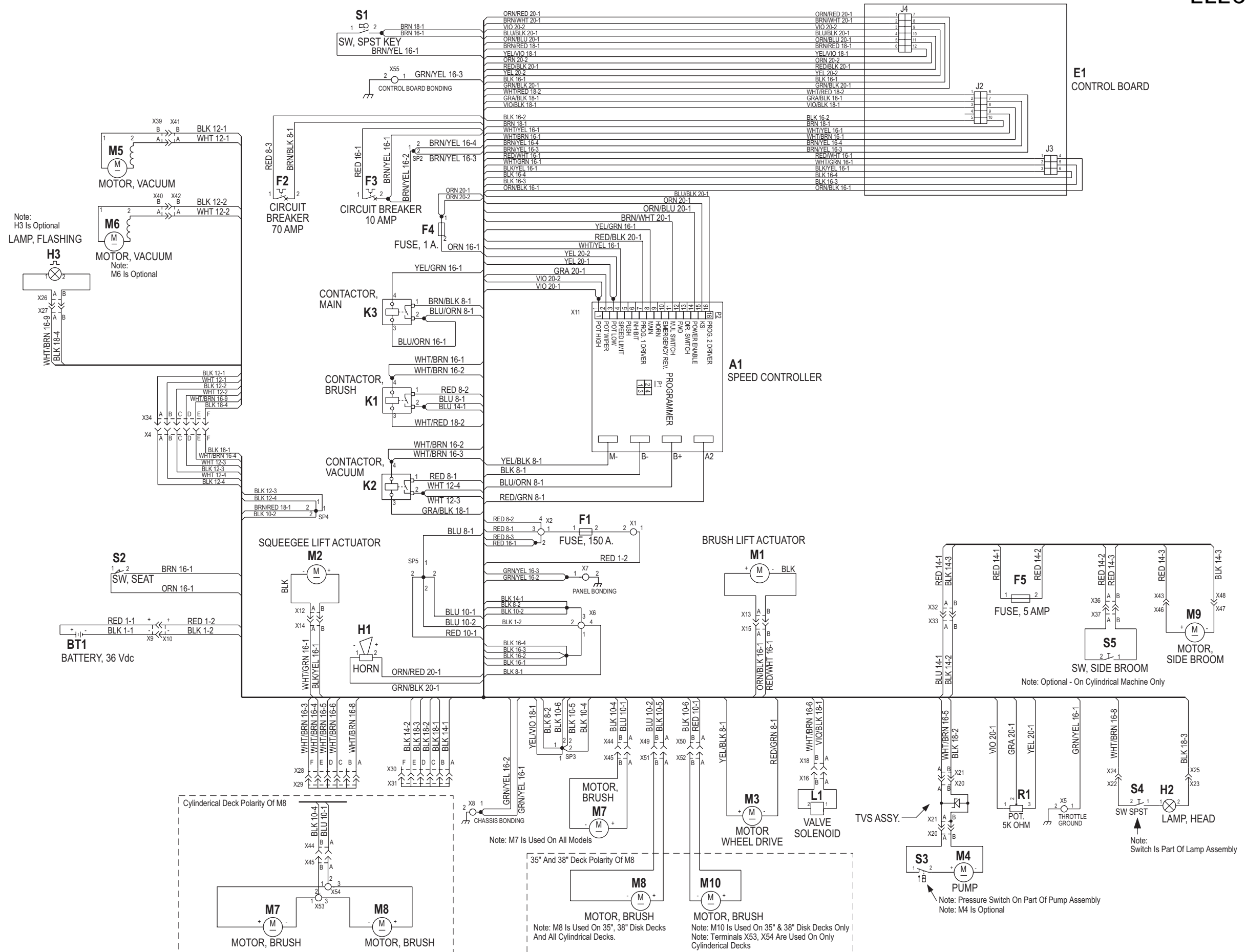
WIRING DIAGRAM / SCHEMATIC FOR Adressor™ / BR 850S, 850CS, 950S, 950CS, 1050S, 1050CS (before Serial Number Chart)

| Item | Description |
|------|---|
| A1 | CONTROLLER |
| BT1 | BATTERY |
| E1 | CONTROL PANEL ASSEMBLY |
| F1 | FUSE, 150 AMP |
| F2 | CIRCUIT BREAKER, 70 AMP (WHEEL DRIVE) |
| F3 | CIRCUIT BREAKER, 10 AMP (CONTROL CIRCUIT) |
| F4 | FUSE, 1 AMP |
| F5 | CIRCUIT BREAKER, 5 AMP (SIDE BROOM / OPTIONAL) |
| H1 | HORN / BACKUP ALARM |
| H2 | HEADLIGHT (OPTIONAL) |
| H3 | STROBE LIGHT (OPTIONAL) |
| K1 | CONTACTOR, BRUSH MOTOR |
| K2 | CONTACTOR, VAC MOTOR |
| K3 | CONTACTOR, WHEEL DRIVE |
| L1 | SOLENOID VALVE |
| M1 | LIFT ACTUATOR, BRUSH |
| M2 | LIFT ACTUATOR, SQUEEGEE |
| M3 | MOTOR, DRIVE WHEEL |
| M4 | MOTOR, PUMP (OPTIONAL) |
| M5 | MOTOR, VACUUM 36VDC |
| M6 | MOTOR, VACUUM 36VDC |
| M7 | MOTOR, GEARBOX ASSY (DISC) OR MOTOR, BRUSH 36VDC (CYLINDRICAL) |
| M8 | MOTOR, BRUSH 36VDC (CYLINDRICAL) |
| M9 | MOTOR, SIDE BROOM (OPTIONAL) |
| M10 | MOTOR, GEARBOX ASSY (35" & 38" DISC) |
| R1 | POTENTIOMETER, 5K |
| S1 | SWITCH, KEY |
| S2 | SWITCH, SEAT |
| S3 | SWITCH, PUMP |
| S4 | SWITCH, HEADLIGHT |
| S5 | SWITCH, SIDE BROOM |



Wiring diagram for Machines built before this Serial Number Chart

1863250 – BR 850
1863255 – BR 950
1863260 – BR 1050 and all Adressor models



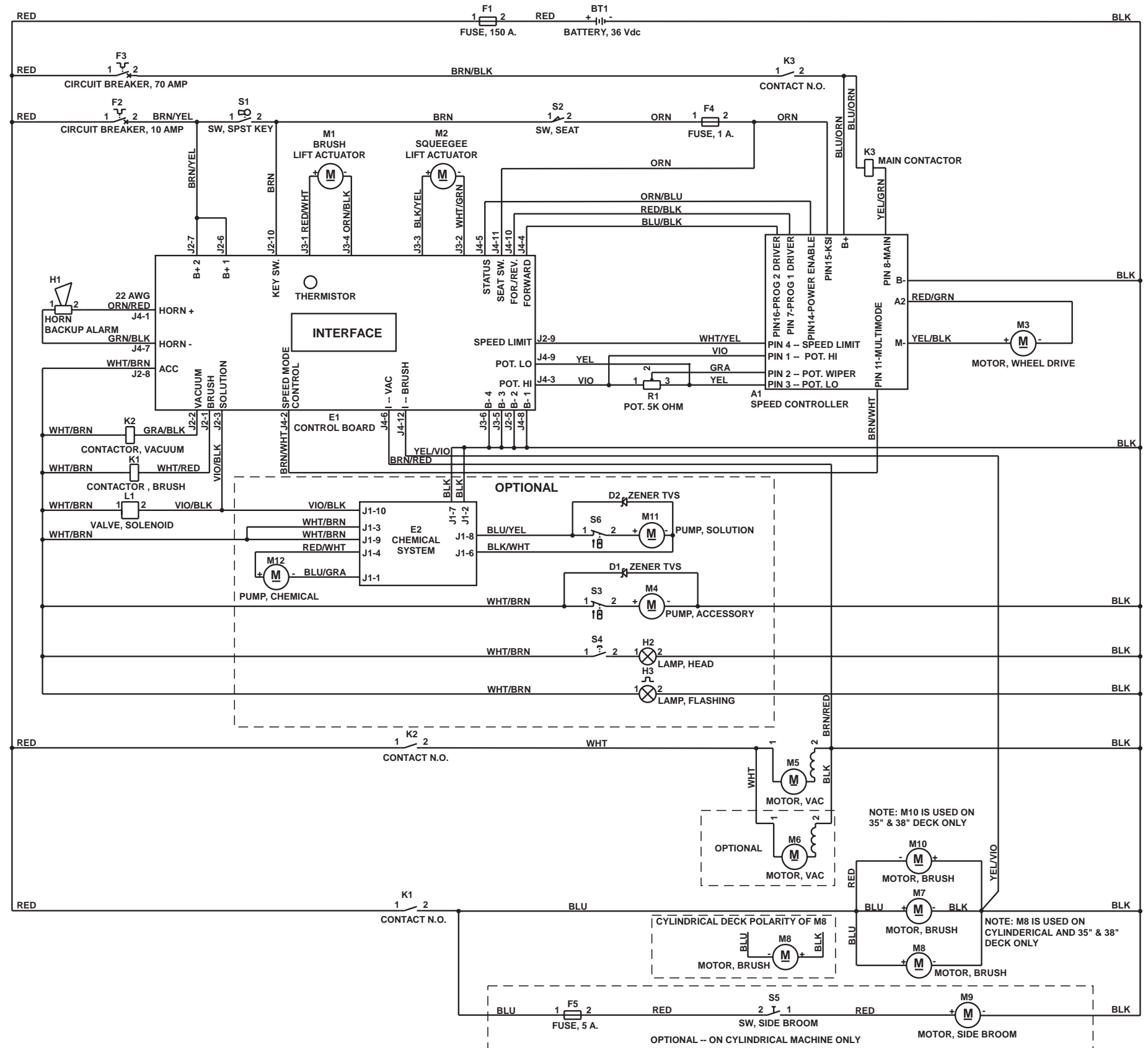
ELECTRICAL SYSTEM

WIRING DIAGRAM / SCHEMATIC FOR Adgressor™ / BR 850S, 850CS, 950S, 950CS, 1050S, 1050CS (after Serial Number Chart)

| Item | Description |
|------|---|
| A1 | CONTROLLER |
| BT1 | BATTERY |
| E1 | CONTROL PANEL ASSEMBLY |
| E2 | CONTROL ASSEMBLY (AXP/EDS) |
| F1 | FUSE, 150 AMP |
| F2 | CIRCUIT BREAKER, 10 AMP (CONTROL CIRCUIT) |
| F3 | CIRCUIT BREAKER, 70 AMP (WHEEL DRIVE) |
| F4 | FUSE, 1 AMP |
| F5 | CIRCUIT BREAKER, 5 AMP (SIDE BROOM / OPTIONAL) |
| H1 | HORN / BACKUP ALARM |
| H2 | HEADLIGHT (OPTIONAL) |
| H3 | STROBE LIGHT (OPTIONAL) |
| K1 | CONTACTOR, BRUSH MOTOR |
| K2 | CONTACTOR, VAC MOTOR |
| K3 | CONTACTOR, WHEEL DRIVE |
| L1 | SOLENOID VALVE |
| M1 | LIFT ACTUATOR, BRUSH |
| M2 | LIFT ACTUATOR, SQUEEGEE |
| M3 | MOTOR, DRIVE WHEEL |
| M4 | MOTOR, PUMP (OPTIONAL) |
| M5 | MOTOR, VACUUM 36VDC |
| M6 | MOTOR, VACUUM 36VDC |
| M7 | MOTOR, GEARBOX ASSY (DISC) OR MOTOR, BRUSH 36VDC (CYLINDRICAL) |
| M8 | MOTOR, BRUSH 36VDC (CYLINDRICAL) |
| M9 | MOTOR, SIDE BROOM (OPTIONAL) |
| M10 | MOTOR, BRUSH |
| M11 | PUMP, SOLUTION |
| M12 | PUMP, CHEMICAL (AXP/EDS) |
| R1 | POTENTIOMETER, 5K |
| S1 | SWITCH, KEY |
| S2 | SWITCH, SEAT |
| S3 | SWITCH, PUMP |
| S4 | SWITCH, HEADLIGHT |
| S5 | SWITCH, SIDE BROOM |
| S6 | SWITCH, PUMP (PART OF M11) |

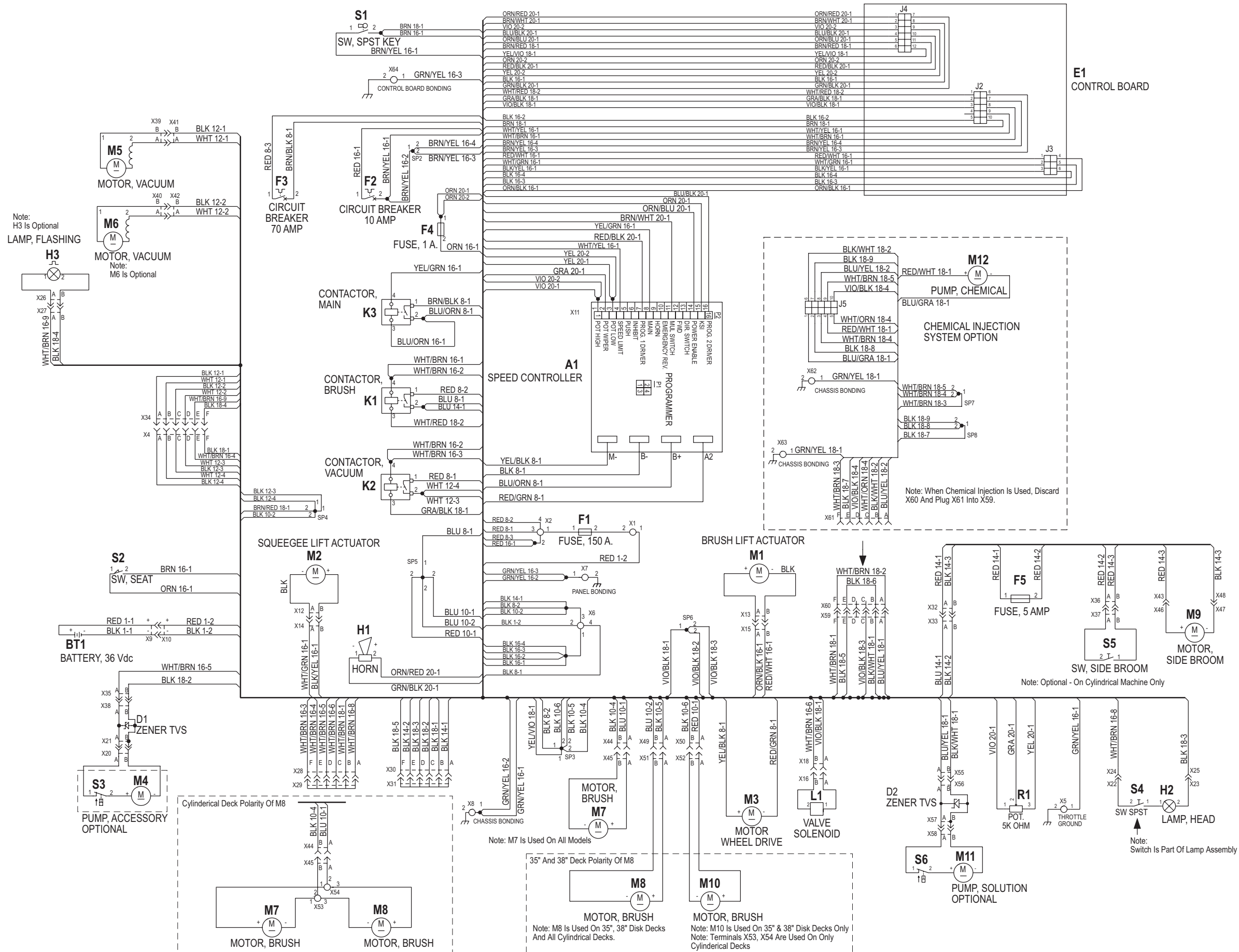
Wiring diagram for Machines built after this Serial Number Chart

1863250 – BR 850
1863255 – BR 950
1863260 – BR 1050 and all Adgressor models



REFERENCE: WIRING DIAGRAM 56314967

56015807-REV. C



For Machines after Serial Number Chart
SERIAL NUMBER CHART
 1863250 - BR 850
 1863255 - BR 950
 1863260 - BR 1050 and all Adgressor models

ELECTRICAL SYSTEM

COMPONENT LOCATION

| Item | Description |
|------|--|
| A1 | Controller, Speed |
| E1 | Control Panel Assembly |
| F1 | Fuse 150 Amp |
| F2 | Circuit Breaker, 10 Amp |
| F3 | Circuit Breaker, 70 Amp |
| H1 | Horn / Backup Alarm |
| H2 | Headlight (Optional) |
| H3 | Strobe Light (Optional) |
| K1 | Contactor, Brush Motor |
| K2 | Contactor, Vacuum Motor |
| K3 | Contactor, Speed Controller |
| L1 | Solenoid Valve |
| M1 | Lift Actuator, Brush |
| M2 | Lift Actuator, Squeegee |
| M3 | Motor, Drive Wheel |
| M4 | Motor, Pump (Optional) |
| M5 | Motor, Vacuum |
| M6 | Motor, Vacuum (Optional) |
| M7 | Motor, Gearbox Assy (Disc) or Motor, Brush (Cyl) |
| M8 | Motor, Gearbox Assy (Disc) or Motor, Brush (Cyl) |
| M10 | Motor, Gearbox Assy (Disc only) |
| M11 | Pump, Solution (AXP/EDS) |
| M12 | Pump, Chemical (AXP/EDS) |
| R1 | Potentiometer, 5K |
| S1 | Switch, Key |
| S2 | Switch, Seat |

