

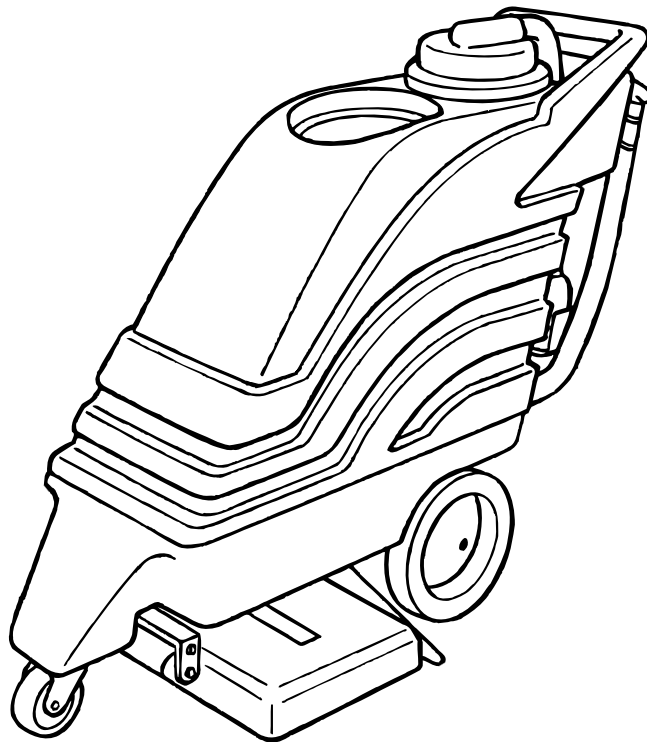


# Frontier™

Self-Contained Carpet Extractor  
Aspirador para moquetas con depósito incorporado

Model No.:  
608549  
609236

Operator and Parts Manual  
Manual del Operador y Piezas

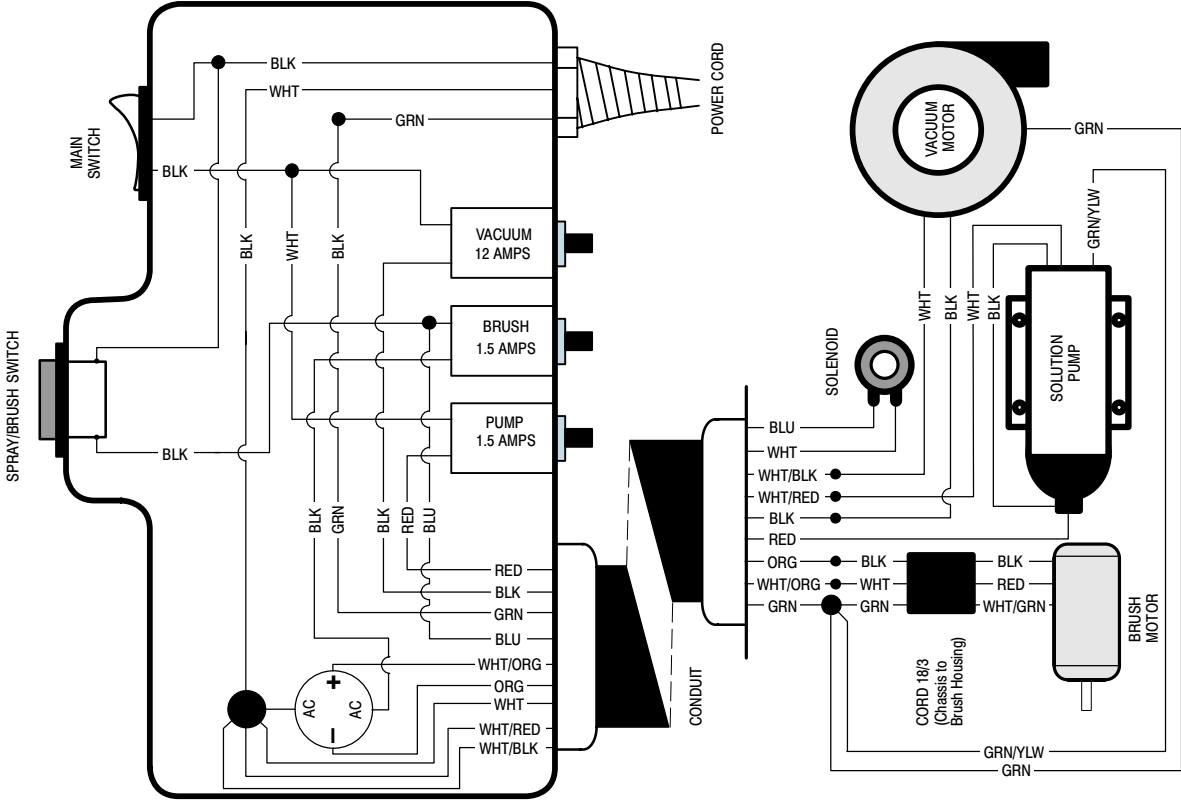


NOBLES  
12875 RANSOM STREET  
HOLLAND MI 49424 U.S.A.

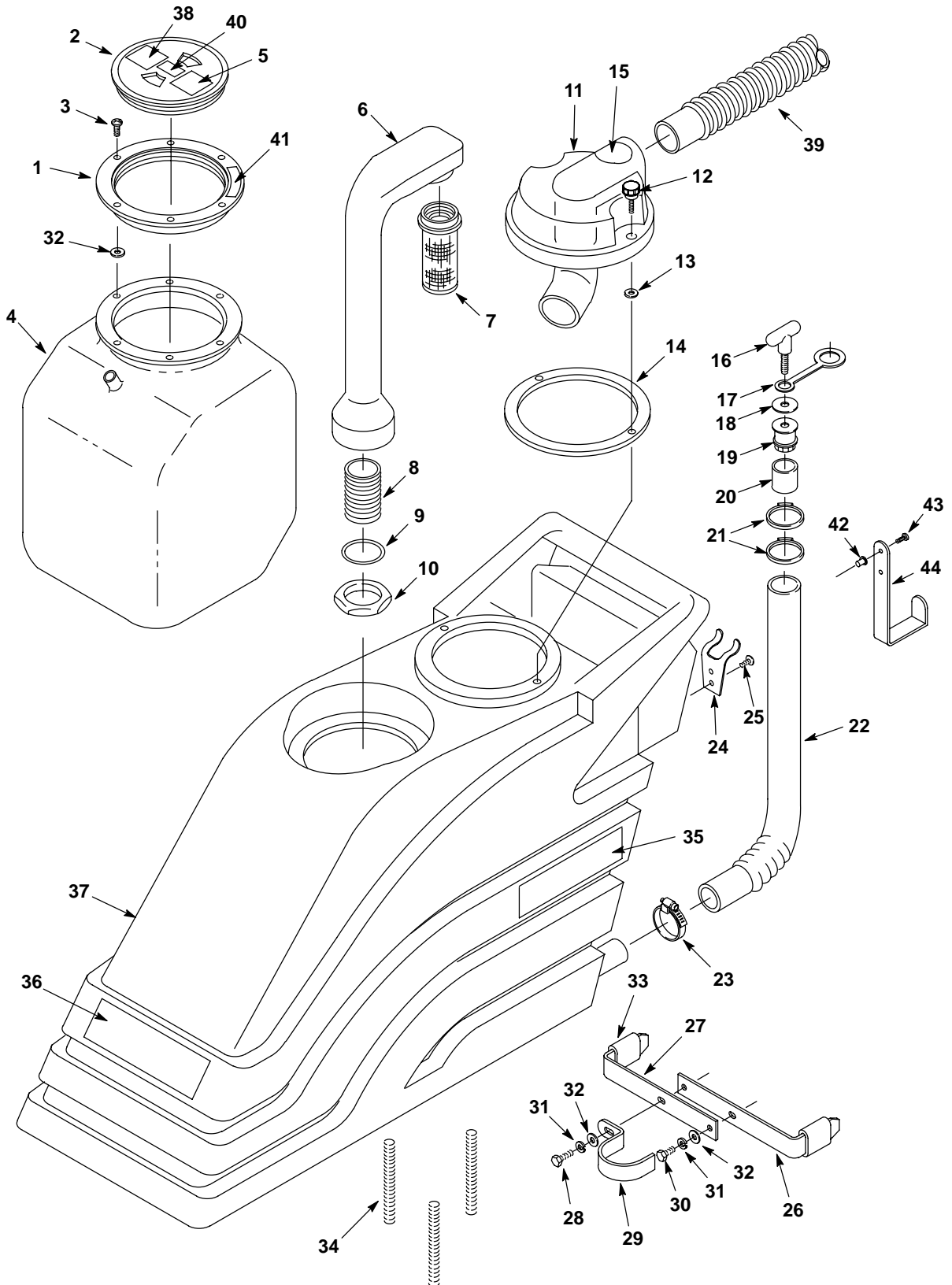
CUSTOMER SERVICE: 1-800-365-6625  
FAX: 1-800-678-4240  
OUTSIDE U.S. : 1-616-786-2330

608550  
Rev. 01 (06-01)

120V



RECOVERY TANK GROUP  
CONJ. DESPOSITO RECUPERAR



**RECOVERY TANK GROUP**  
**CONJ. DESPOSITO RECUPERAR**

REF	PART #	DESCRIPTION	QTY.
∇	100103	●ASSEMBLY, LID	1
▲ 1	600812	LID, OUTER RING ONLY (BLACK)	1
▲ 2	100105	LID, CENTER ONLY (CLEAR)	1
3	140900	SCREW, 10-24 X 3/4	6
4	602715	BLADDER, 10 GAL. MODEL	1
5	578729	DECAL, READ MANUAL	1
6	602448	STANDPIPE, 10 GAL. MODEL	1
7	180613	●FLOAT, SHUT-OFF	1
8	606088	NIPPLE	1
9	230159	O-RING, STANDPIPE	1
10	210240	NUT, FLANGED METAL	1
∇ 11	701005	ASM., DOME	1
▲ 12	240217	KNOB, DOME	2
▲ 13	140037	WASHER, NYLON	2
▲ 14	100042	●GASKET, RECOVERY DOME	1
▲ 15	120399	DECAL, DO NOT ALLOW FOAM	1
∇	701061	●ASM., DRAIN HOSE	1
▲ 16	230831	KNOB, DRAIN HOSE	1
▲ 17	230882	●STRAP	1
▲ 18	140056	WASHER, FENDER	1
▲ 19	140955	PLUG	1
20	140921	SLEEVE, DRAIN HOSE	1
21	140072	CLAMP	2
22	160416	HOSE, DRAIN	1

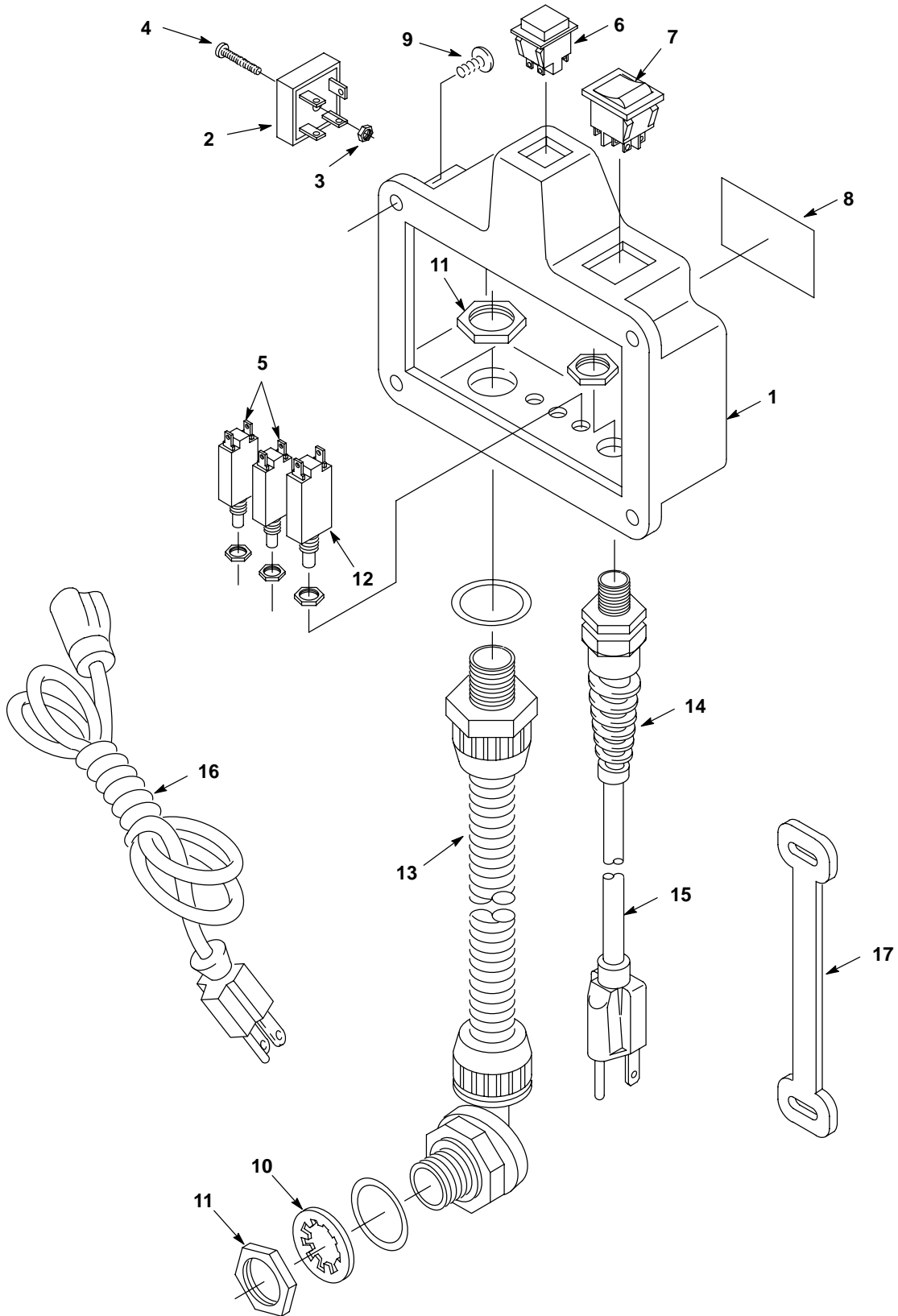
REF	PART #	DESCRIPTION	QTY.
23	140307	CLAMP	1
24	230696.BK	BRACKET, DRAIN HOSE	1
25	140825	SCREW, #6X3/4	2
26	230843	BRACKET, TANK BRACE W/THREADS	1
27	230844	BRACKET, TANK BRACE W/HOLES	1
28	140259	SCREW, 1/4-20X5/8	1
29	230955	CLAMP	1
30	140553	SCREW, 1/4-20X1/2	1
31	140016	WASHER, LOCK	2
32	140000	WASHER, 1/4 FLAT	8
33	102569	TANK, GASKET	2
34	140227	STUD, 1/4-20X5	3
35	608472	DECAL, FRONTIER	2
36	608186	DECAL, "NOBLES"	1
37	<del>608532</del>	TANK, RECOVERY, GREEN 608807	1
38	630420	DECAL, FLAMMABLE MATERIAL	1
39	603547	●HOSE, VAC 1-1/2 X 46" W/CUFFS	1
40	120906	DECAL, IMPORTANT DRAIN	1
41	120907	DECAL, IMPORTANT ALWAYS CLOSE	1
42	140637	NUT, WELL 10-32	2
43	140887	SCREW, 1024X3/8 PANPHL	2
44	230755.BK	BRACKET, CORD HANGER BLACK	1

∇ ASSEMBLY / CONJUNTO

▲ INCLUDED IN ASSEMBLY / INCLUIDO EN EL CONJUNTO

● RECOMMENDED STOCK ITEMS / ARTICULOS RECOMENDADOS PARA MANTENER EN EXISTENCIA

**CONTROL CONSOLE GROUP (120V MODEL)**  
**CONJUNTO CONSOLA DE CONTROLES (120V MODELO)**



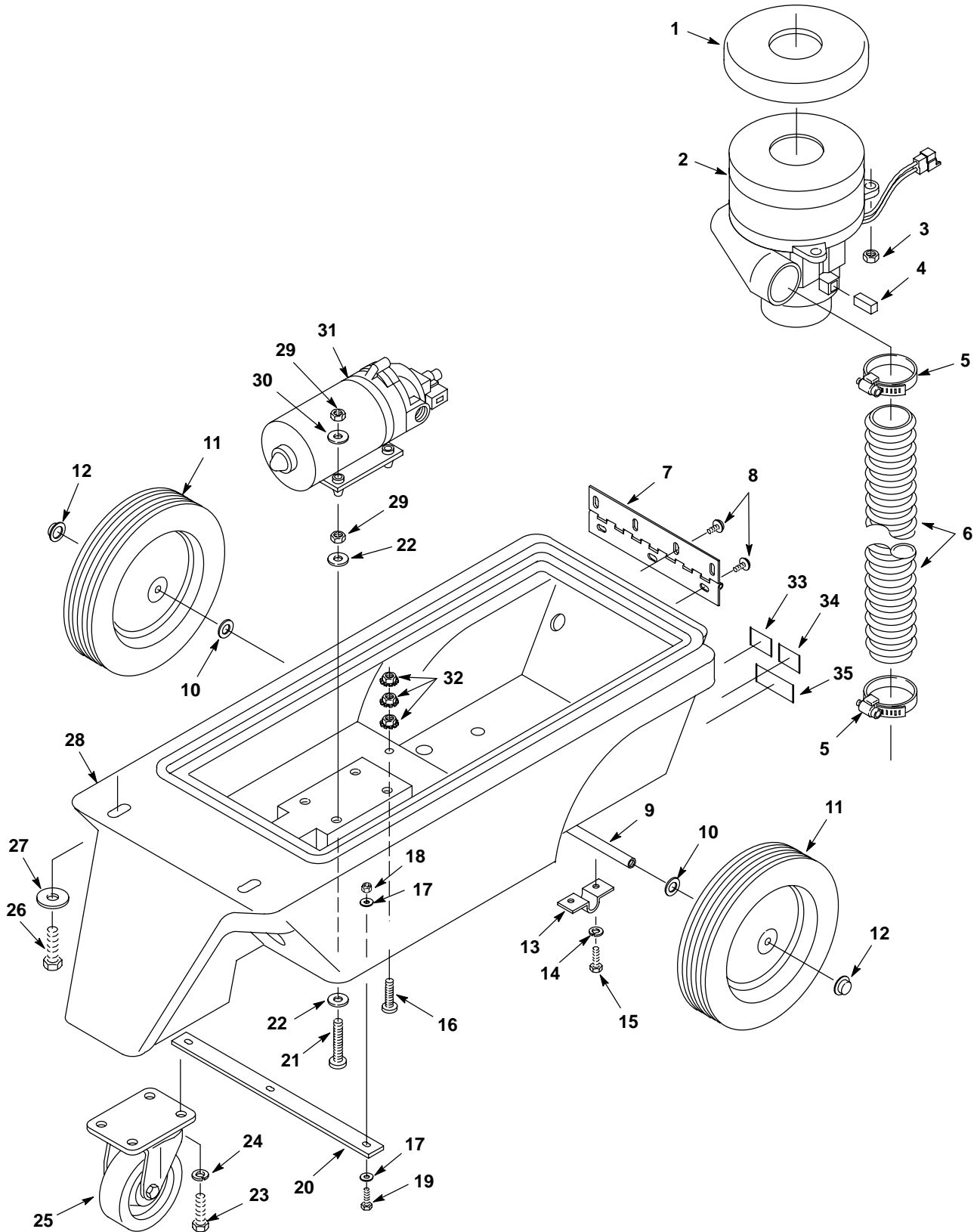
**CONTROL CONSOLE GROUP (120V MODEL)  
CONJUNTO CONSOLA DE CONTROLES (120V MODELO)**

REF	PART #	DESCRIPTION	QTY.
1	608458	ASM, SWITCHBOX, GREEN	1
	608538	SWITCHBOX ONLY, GREEN	1
2	130304	●RECTIFIER, MINIBRIDGE 600V	1
3	140534	NUT, NYLON	1
4	140879	SCREW, 6-32X3/4	1
5	578337000	●BREAKER, CIRCUIT 1.5AMP (120V)	2
6	606713	●SWITCH, ALTERNATING (120V)	1
7	130717	●SWITCH, ROCKER (120V)	1
8	120619	DECAL, WARNING EXTRACTOR	1

● RECOMMENDED STOCK ITEMS / ARTICULOS RECOMENDADOS PARA MANTENER EN EXISTENCIA

REF	PART #	DESCRIPTION	QTY.
9	140824	SCREW 1/4-20X5/8	4
10	140044	WASHER 13/16 INT	1
11	140504	NUT, CONDUIT	2
12	130670	●BREAKER, CIRCUIT 12AMP (120V)	1
13	130977	HARNESS, WIRE	1
14	130166	●GRIP, CORD	1
15	130237	●CORD, 16/3X18" YELLOW (120V)	1
16	130229	CORD, 14/3 X 75' YELLOW SMOOTH (120V)	1
17	604393	STRAP, CORD, STRAIN RELIEF	1

CHASSIS GROUP  
CONJUNTO TELAIO



**CHASSIS GROUP**  
**CONJUNTO TELAIO**

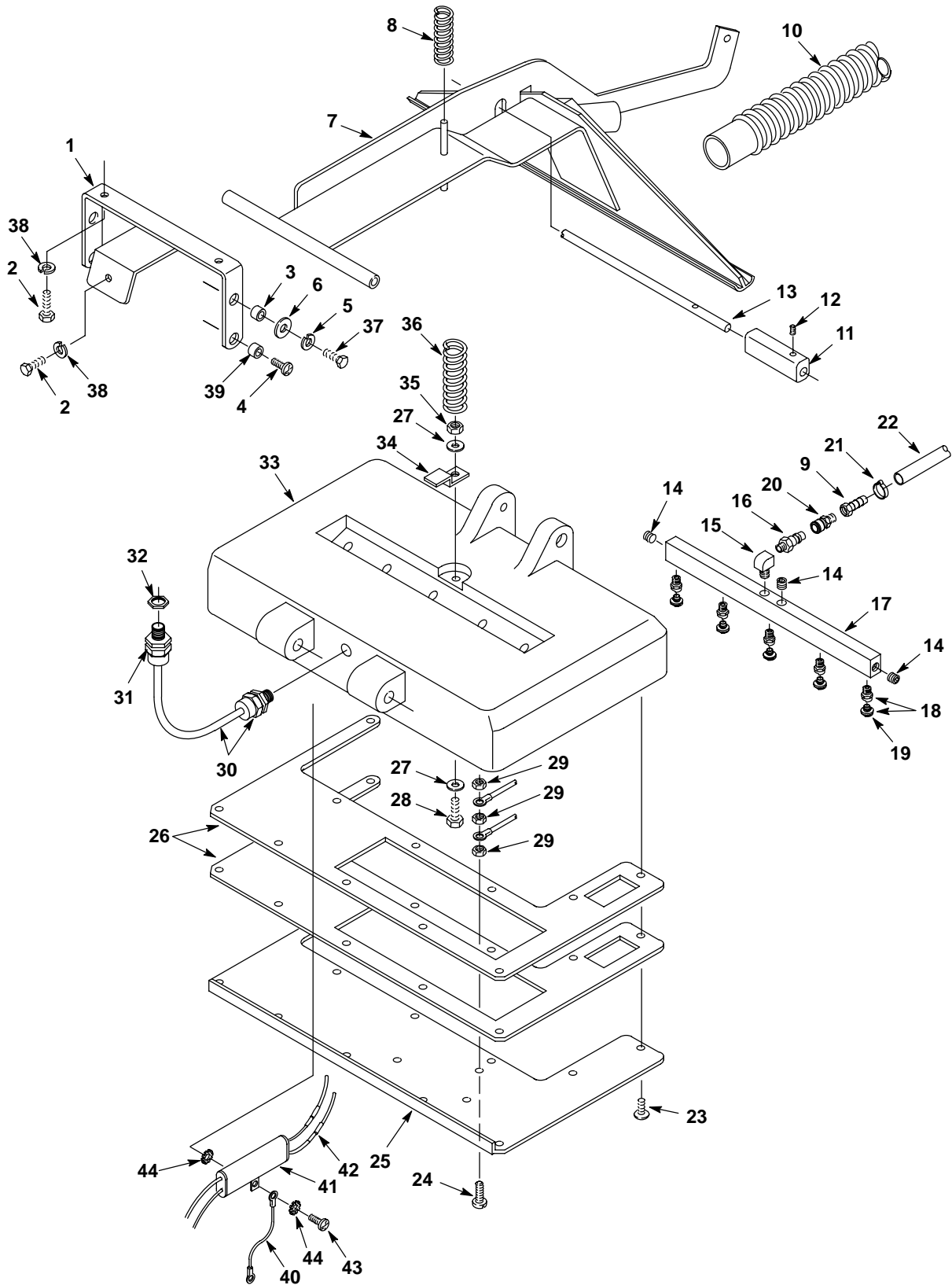
REF	PART #	DESCRIPTION	QTY.
1	100118	●GASKET, VAC MOTOR (120V)	1
	100038	●GASKET, VAC MOTOR (230V/240V)	1
2	130996	●MOTOR, VAC (120V)	1
	603042	COVER, VAC FAN (120V)	1
3	140501	NUT 1/4-20 NYLOCK	4
4	600177	●BRUSH, CARBON 2/PK (120V)	2
	190158	●BRUSH, CARBON 2/PK (230V/240V)	2
5	140308	CLAMP, HOSE 1-5/16 TO 2-1/4	2
6	606160	HOSE, EXHAUST 2" X 24"	1
7	230390	HINGE, TANK	1
8	140885	SCREW, 1/4-20X1/2 TRSPHL	7
9	230739	AXLE	1
10	140008	WASHER, 1/2 FLAT	2
11	103068	WHEEL, 10" X 1.75"	2
12	103019	CAP, HUB	2
13	230746	BRACKET, AXLE OFFSET	2
14	140016	WASHER, 1/4 LOCK	4
15	140259	SCREW, 1/4-20X5/8 HXHDCP	4

● RECOMMENDED STOCK ITEMS / ARTICULOS RECOMENDADOS PARA MANTENER EN EXISTENCIA

REF	PART #	DESCRIPTION	QTY.
16	140804	SCREW, 10-24X1	1
17	140000	WASHER, 1/4 FLAT	6
18	140501	NUT, 1/4-20 NYLOCK	3
19	140208	SCREW, 1/4-20X1	3
20	604640	BRACKET, CHASSIS SUPPORT	1
21	140899	SCREW, 10-24X1-1/4	4
22	140011	WASHER, 3/16 FLAT	8
23	140226	SCREW, 5/16-18X3/4 HXHDCP	4
24	140015	WASHER, 5/16 SPLITLOCK	4
25	103065	●CASTER, SWIVEL 4"	1
26	140256	SCREW, 3/8-16XX2-1/2	2
27	140028	WASHER, FLAT	2
28	608831	CHASSIS, GREEN	1
29	140519	NUT, 10-24 KEP	8
30	140012	WASHER, 3/16 FLAT	4
31	180103	PUMP, 100PSI (120V)	1
32	140519	NUT, 10-24 KEP	3
33	N/A	DECAL, CE (240V MODEL)	1
34	N/A	DECAL, KEMA (240V MODEL)	1
35	N/A	DECAL, EMC APPROVED (240V MODEL)	1



BRUSH HOUSING GROUP  
GRUPO DEL BASTIDOR DEL CEPILLO



**BRUSH HOUSING GROUP**  
**GRUPO DEL BASTIDOR DEL CEPILLO**

REF	PART #	DESCRIPTION	QTY.	
1	603175	BRACKET, MOUNT	1	
2	140226	SCREW, 5/16-18X5/8 HXHDCP	3	
3	140136	BUSHING, 3/8ID X 1/2OD	2	
4	140898	SCREW, 3/8-16X3/4 TRSPHL	2	
5	140017	WASHER, 3/8 SPLITLOCK	2	
6	140028	WASHER, 3/8 FLAT	2	
7	603184	TOOL, PICKUP W/LEVER	1	
8	603448	SPRING, TOOL PRESSURE	1	
9	150520	FITTING, 1/8FX1/4H BARB	1	
10	603547	HOSE, VACUUM 1-1/2X46"	1	
11	603178	CAM ADJUSTER	1	
12	140859	SCREW, SET 1/4-20X1/4	1	
13	603177	LEVER, CAM ADJUSTER	1	
∇	606844	ASM, SPRAYBAR, 20"	1	
▲	14	150208	FITTING, 1/8M PLUG	3
▲	15	150430	FITTING 1/8MX1/4F ELBOW	1
▲	16	150921	●FITTING 1/8M QD CPLR, BRS	1
▲	17	230379	MANIFOLD, SPRAYBAR, 20"	1
▲	18	201011	●NOZZLE, BRASS	5
▲	19	201013	●REPLACEMENT FITTING TIP 80015 FOR 201011	
	20	150915	●FITTING, 1/8 QD CPLR BRASS	1
	21	140325	CLAMP, EAR, 1/2"	1
	22	606453	HOSE, 1/4" X 1.25' LP, GRAY	1

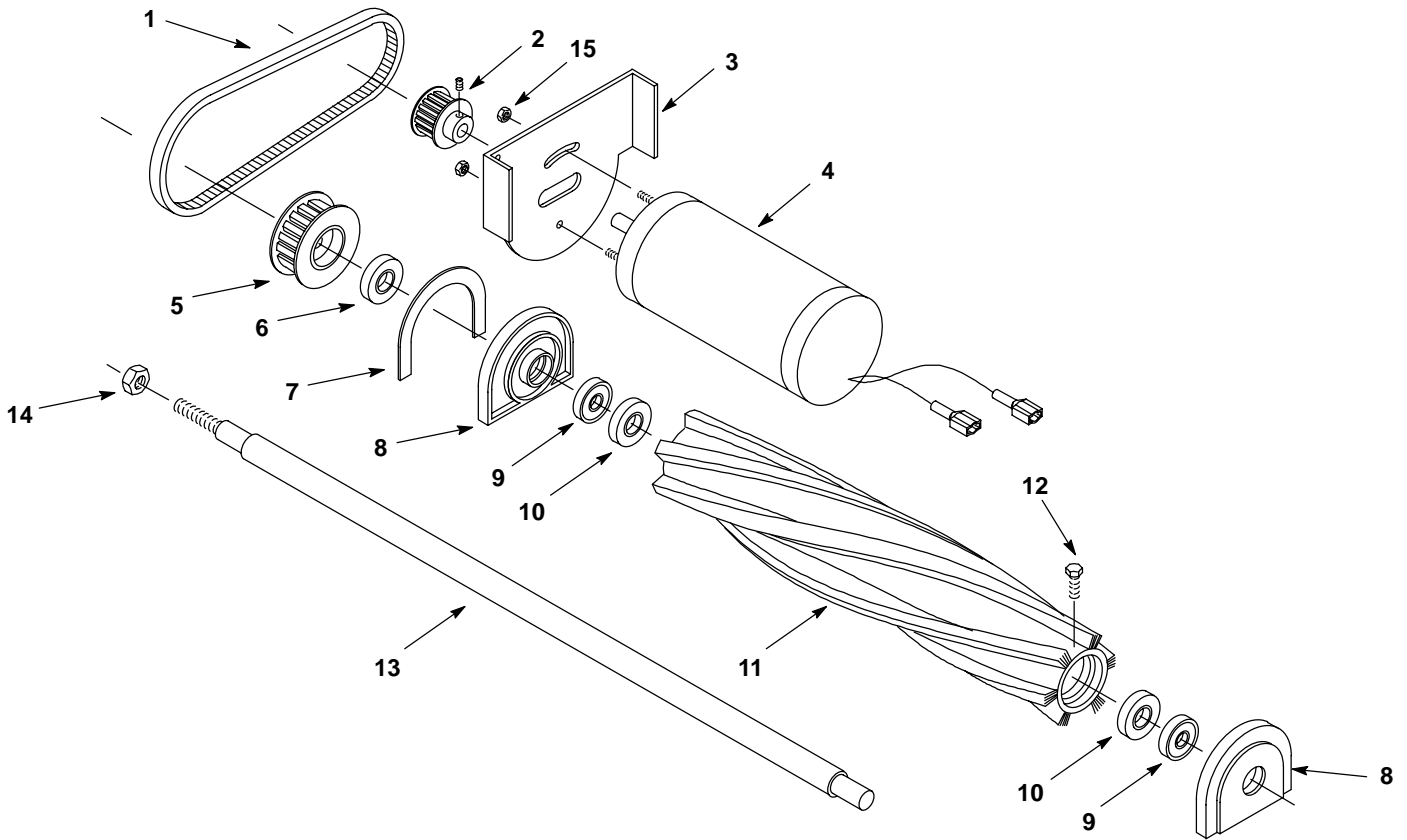
REF	PART #	DESCRIPTION	QTY.	
23	140887	SCREW, 10-24X3/8	12	
24	140900	SCREW, 10-24X3/4	1	
25	230367.BK	PLATE, BRUSH BASE, 20"	1	
26	100115	GASKET, 20" PWR BRSH BASE	1	
27	140028	WASHER, 3/8 FLAT	2	
28	140233	SCREW, 3/8-16X1-3/4 HXHDCP	1	
29	140519	NUT, KEP	3	
30	603561	CORD, 18/3 X 24", BLACK	1	
31	130181	CORD GRIP (FOR SERVICE ONLY)	1	
32	140504	NUT, CONDUIT	1	
33	604494	BASE, BRUSH, 20" BLACK	1	
34	606712	LATCH, SPRAYBAR	1	
35	140515	NUT, 3/8-16 NYLOCK	1	
36	140407	SPRING, .845OD	1	
37	140201	SCREW, 3/8-16X3/4	2	
38	140015	WASHER, 5/16 SPLTLCK	3	
39	140914	SPACER, .38X.50X.25	2	
40	600692	CABLE, STRAIN RELIEF (240V MODEL)	1	
∇	604628	ASM., FILTER, RFI (240V MODEL)	1	
▲	41	600694	FILTER, RFI (240V MODEL)	1
▲	42	600693	CHOKE (240V MODEL)	2
	43	140350	SCREW (240V MODEL)	1
	44	140031	WASHER #10 EXT (240V MODEL)	2

∇ ASSEMBLY / CONJUNTO

▲ INCLUDED IN ASSEMBLY / INCLUIDO EN EL CONJUNTO

● RECOMMENDED STOCK ITEMS / ARTICULOS RECOMENDADOS PARA MANTENER EN EXISTENCIA

**BRUSH BREAKDOWN**  
**CONJUNTO DE CEPILLO**



REF	PART #	DESCRIPTION	QTY.	
1	230507	●BELT, BRUSH DRIVE	1	
2	230506	●PULLEY, MOTOR	1	
3	230366	BRACKET, MOTOR (120V/230V)	1	
4	<del>130471</del>	●MOTOR, BRUSH DRIVE (120V)	1	
	1019015	●BRUSH, CARBON (120V)	4	
	575782	●BRUSH, CARBON (240V)	1	
▽	700094	ASSEMBLY, BRUSH	1	
▲	5	230505	●PULLEY, BRUSH	1

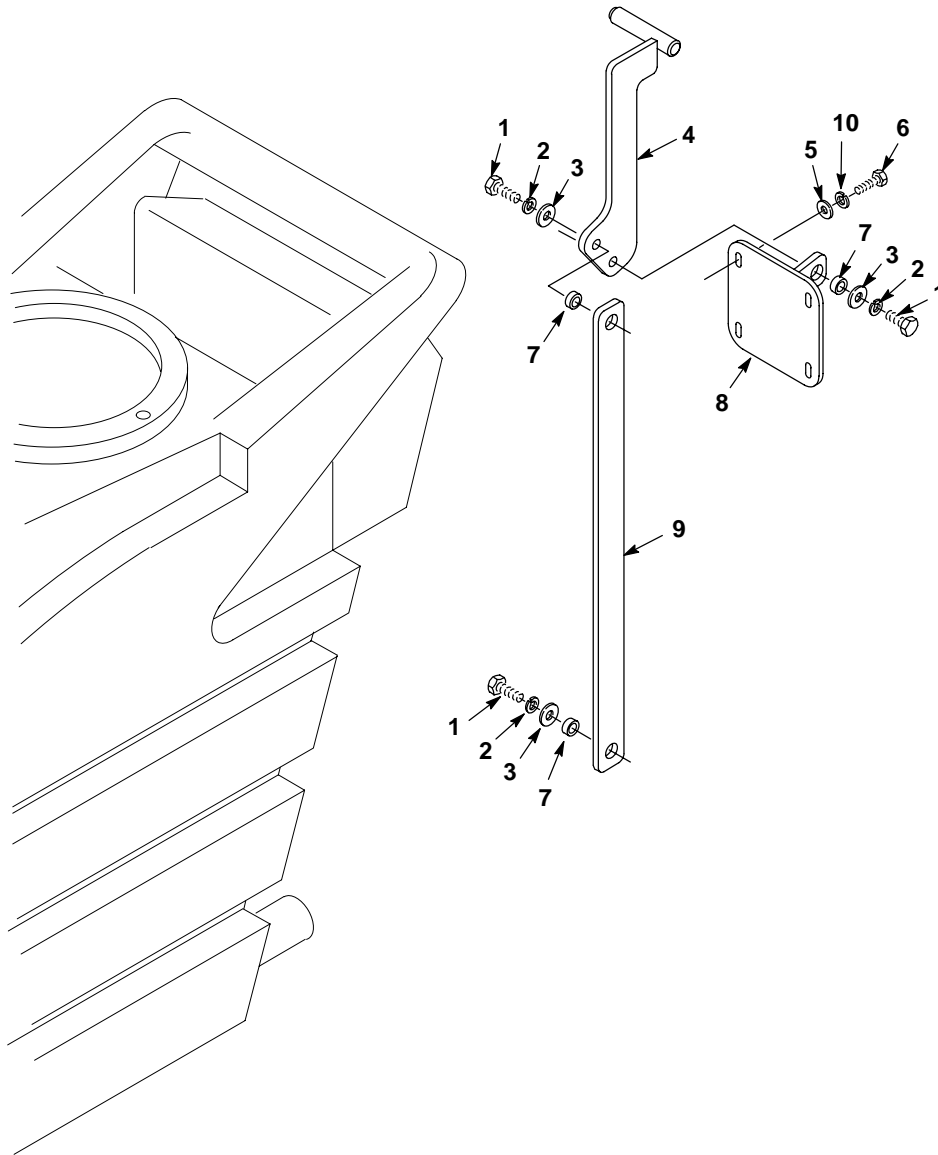
REF	PART #	DESCRIPTION	QTY.	
▲	6	230363	SPACER	1
▲	7	100005	●GASKET, BEARING BLOCK	1
▲	8	230261	●BLOCK, BEARING	2
▲	9	140125	●BEARING, BRUSH	2
▲	10	100049	●SEAL, BRUSH BEARING	2
▲	11	240050	●BRUSH, CYLINDER	1
▲	12	140554	SCREW, 1/4-20X3/4	4
▲	13	230362	●SHAFT, BRUSH	1
▲	14	140548	NUT, 5/16 FINJAM	1
	15	140518	NUT, KEP 10-32	2

▽ ASSEMBLY / CONJUNTO

▲ INCLUDED IN ASSEMBLY / INCLUIDO EN EL CONJUNTO

● RECOMMENDED STOCK ITEMS / ARTICULOS RECOMENDADOS PARA MANTENER EN EXISTENCIA

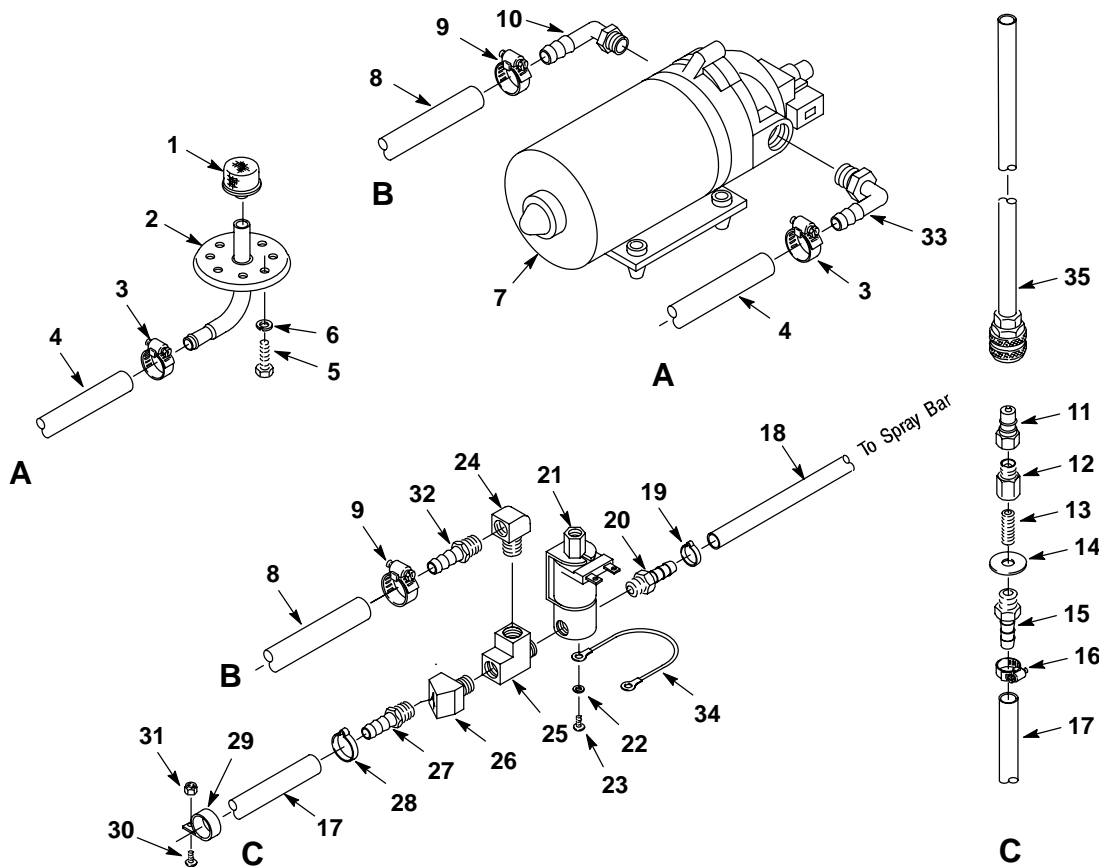
BRUSH HOUSING LIFT LEVER GROUP  
GRUPO DE PALANCA PARA ELEVAR LA COJA DE CEPILLO



REF	PART #	DESCRIPTION	QTY.
1	140226	SCREW, 5/16 18X5/8 HXHD	3
2	140015	WASHER, 5/16 SPLITLOCK	3
3	140027	WASHER, 5/16 FLAT	3
4	603414	HANDLE, LIFT	1
5	140000	WASHER, 1/4 FLAT	4

REF	PART #	DESCRIPTION	QTY.
6	140259	SCREW, 1/4-20X5/8	4
7	603415	BUSHING, PIVOT	3
8	603413	BRACKET, LIFT MOUNT	1
9	603412	PLATE, LIFT	1
10	140016	WASHER, LOCK	4

**PLUMBING GROUP**  
**GRUPO DE TUBERÍAS**

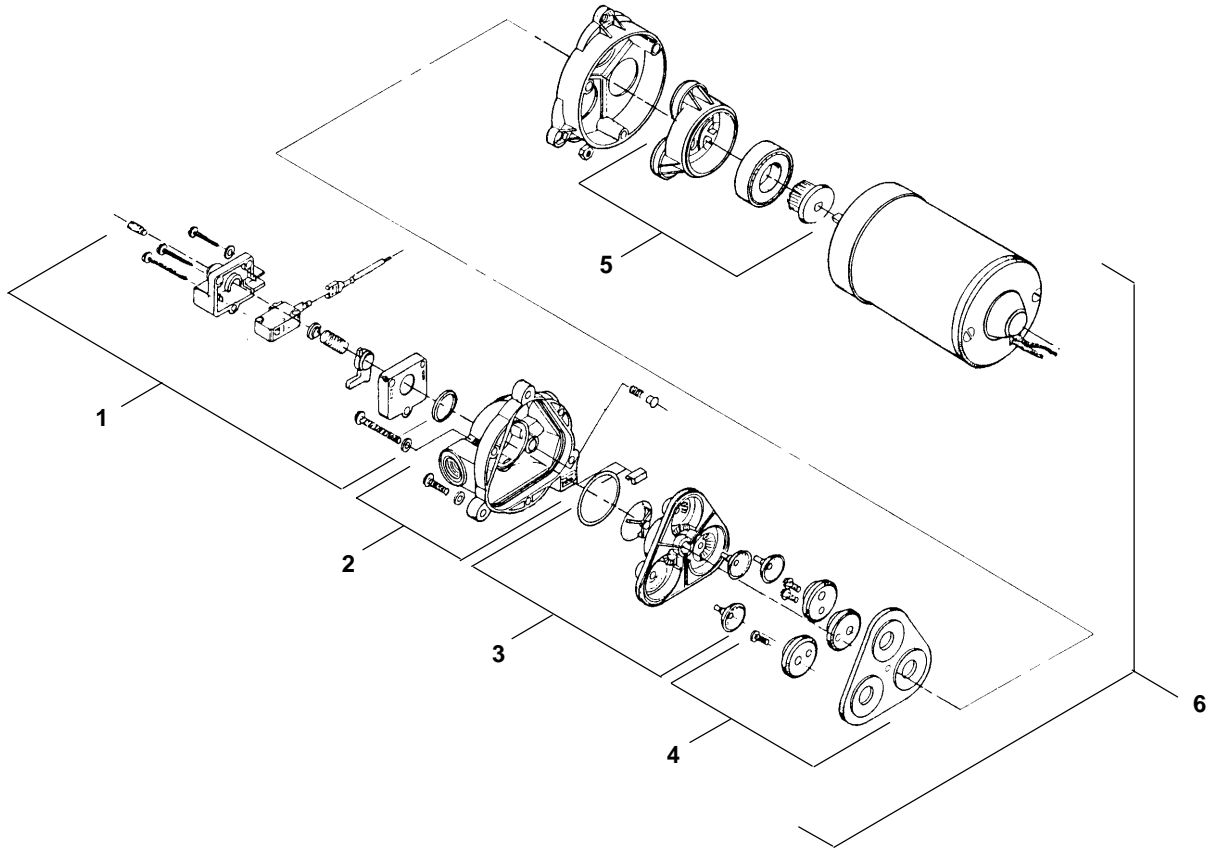


REF	PART #	DESCRIPTION	QTY.
1	180628	●SCREEN, TANK	1
2	600451	BLADDER PLATE	1
3	140310	CLAMP	2
4	606452	HOSE, 3/8" X 2.75' LP, GRAY	1
5	140259	SCREW	4
6	140016	WASHER, LOCK	4
7	180103	●PUMP, 100PSI (120V)	1
8	606162	HOSE, 1/2" X 26"	1
9	630369	CLAMP	2
10	150425	ELBOW, 3/8M X 1/2H	1
11	150933	QUICK COUPLER	1
12	150000	ADAPTER, 1/4FX1/4M	1
13	150600	NIPPLE, 1/4 X 2 - BRASS	1
14	140008	WASHER, FLAT	1
15	150511	FITTING, BARB, 1/4FX3/8H	1
16	140310	CLAMP	1
17	606451	HOSE, 3/8" X 4.33' LP	1
18	606453	HOSE, 1/4" X 1.25' LP	1

REF	PART #	DESCRIPTION	QTY.
19	140325	CLAMP, EAR 1/2" S/S	2
20	150515	FITTING, BARB, 1/4MX1/4H	1
21	210033	●VALVE, SOLENOID (120V 60HZ)	1
22	140023	WASHER, LOCK	2
23	140801	SCREW, 8-32X3/8	2
24	150406	ELBOW, 1/4"	1
25	150709	TEE, 1/4"	1
26	150403	FITTING, 1/4MX1/4F ELBOW, 45°	1
27	150516	FITTING, BARB, 1/4MX3/8H	1
28	140301	CLAMP, EAR	1
29	140916	CLAMP	1
30	140895	SCREW, 10-24X3/4	1
31	140552	NUT, LOCK	1
32	150517	FITTING, BARB, 1/4MX1/2H	1
33	150412	ELBOW, 3.8MX3/8H	1
34	700551	ASM., WIRE GROUND 9" 10X10	1
35	700141	HOSE, PUMP-OUT	1

● RECOMMENDED STOCK ITEMS / ARTICULOS RECOMENDADOS PARA MANTENER EN EXISTENCIA

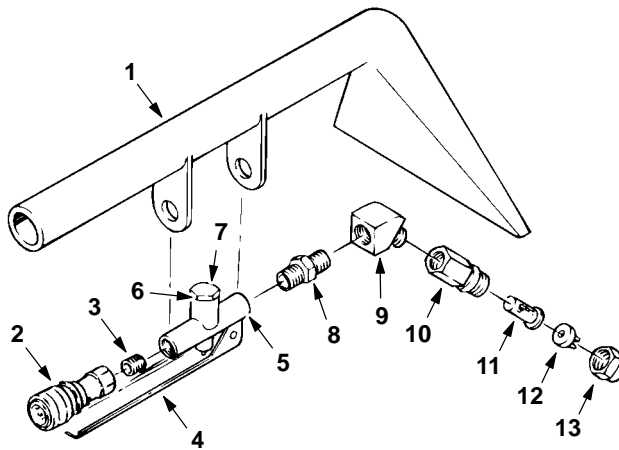
**PUMP BREAKDOWN**  
**CLASIFICACIÓN DE LA BOMBA**



REF	PART #	DESCRIPTION	QTY.
1	190129	KIT, PRESSURE SWITCH	1
	190172	KIT, PRESSURE SWITCH (VITON)	1
	190134	KIT, DIAPHRAGM ONLY	1
2	190128	KIT, UPPER PUMP HOUSING	1
	190124	KIT, CHECK VALVE ONLY	1

REF	PART #	DESCRIPTION	QTY.
3	190171	KIT, VALVE (VITON)	1
4	190131	KIT, SERVICE	1
5	190130	KIT, LOWER PUMP HOUSING	1
6	180103	PUMP, 100 PSI (120V)	1

**127mm (5 in) HAND TOOL  
ACCESORIO MANUAL**



REF	PART #	DESCRIPTION	QTY.
▽	200505	●ASSEMBLY, HAND TOOL	1
▲ 1	200431.BK	TOOL, HAND	1
▲ 2	150913	●COUPLER, QUICK (SER. 60)	1
▲ 3	150615	NIPPLE, CLOSE	1
▲ 4	200905	TRIGGER, HAND TOOL	1
▲ 5	210210	●VALVE, FLOW CONTROL	1

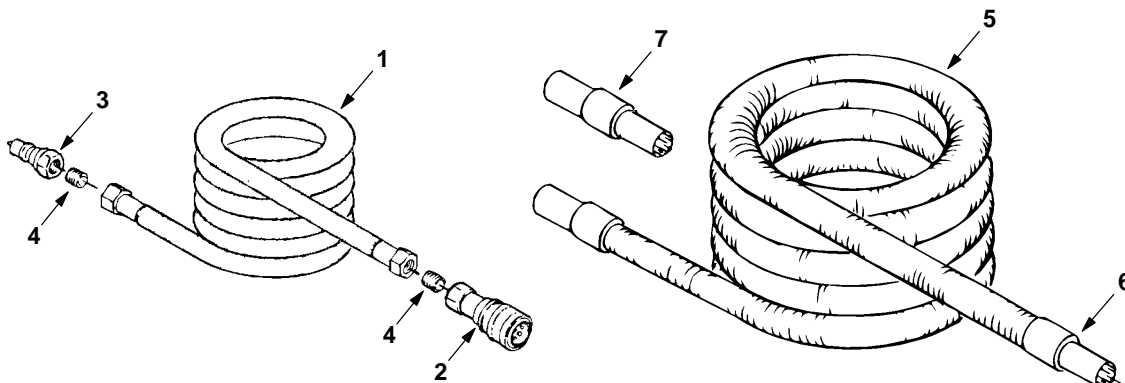
REF	PART #	DESCRIPTION	QTY.
▲ 6	190600	VALVE PIN & SPRING	1
▲ 7	N/A	CAP, VALVE	1
▲ 8	150606	NIPPLE, HEX 1/4	1
▲ 9	150403	ELBOW, ST 1/4 45°	1
▲ 10	200992	BODY, SPRAY 1/4F	1
▲ 11	200996	●SCREEN, SPRAY NOZZLE	1
▲ 12	200965	●TIP, SPRAY #8002	1
▲ 13	20094	●CAP, SPRAY BODY	1

▽ ASSEMBLY / CONJUNTO

▲ INCLUDED IN ASSEMBLY / INCLUIDO EN EL CONJUNTO

● RECOMMENDED STOCK ITEMS / ARTICULOS RECOMENDADOS PARA MANTENER EN EXISTENCIA

**SOLUTION AND VACUUM HOSES  
MANGUERAS DE DISOLUCIÓN Y ASPIRACIÓN**

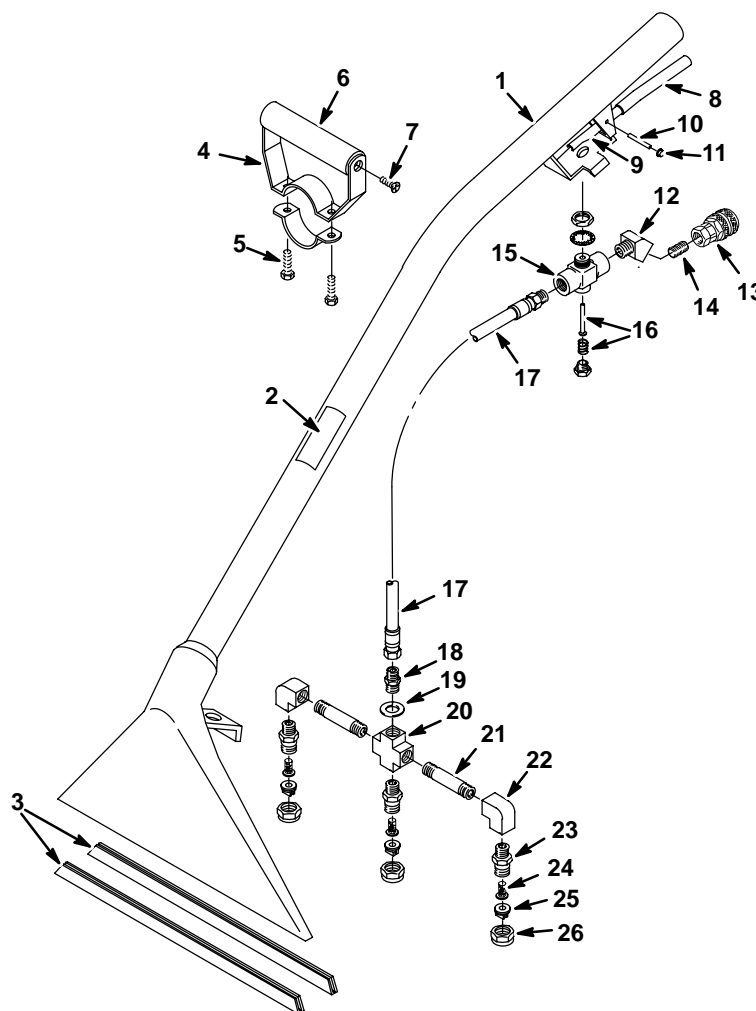


REF	PART #	DESCRIPTION	QTY.
1	160185	●HOSE, SOLUTION 4.6M (15 FT)	1
	160186	●HOSE, SOLUTION 7.6M (25 FT)	1
	160187	●HOSE, SOLUTION 15M (50 FT)	1
2	150913	●COUPLER, QUICK SER. 60	1
3	150933	●PLUG, QUICK COUPLER	1
4	150615	NIPPLE	2

REF	PART #	DESCRIPTION	QTY.
5	160400	●HOSE, VACUUM 4.6M (15 FT)	1
	160401	●HOSE, VACUUM 7.6M (25 FT)	1
	160402	●HOSE, VACUUM 15M (50 FT)	1
6	160430	●CUFF, HOSE 1-1/2"	2
7	160451	CONNECTOR, VACUUM HOSE 1.5"	1

● RECOMMENDED STOCK ITEMS / ARTICULOS RECOMENDADOS PARA MANTENER EN EXISTENCIA

330mm (13 in) FLOOR TOOL  
ACCESORIO PARA EL SUELO



REF	PART #	DESCRIPTION	QTY.	
▽	600048	●ASM., FLOOR TOOL	1	
▲	1	200403.BK	TOOL, FLOOR 330MM (13 IN)	1
▲	2	120846	DECAL, LOW PRESSURE TOOL	1
▲	3	200939	●SHOE, 330MM (13 IN) FLR TOOL	2
▲▽	4	200927	GRIP, HAND ADJ. COMPLETE	1
▲	5	140259	SCREW, 1/4-20X5/8	2
▲	6	200912	GRIP, HANDLE FOAM	1
▲	7	140834	SCREW, 1/4-20X5/8	2
▲	8	200809	SLEEVE, HANDLE	1
▲	9	200902	HANDLE, VALVE	1
▲	10	140605	PIN, HANDLE	1
▲	11	140520	NUT, 1/4 PUSH BLK	2
▲	12	150403	FITTING, 1/4MX1/4F 45 STR	1
▲	13	150913	●COUPLER, SER. 60	1

REF	PART #	DESCRIPTION	QTY.	
▲	14	150615	NIPPLE, CLOSE 1/4	1
▲▽	15	210150	●VALVE, FLOW CONTROL	1
▲	16	190603	●KIT, VALVE PIN AND SPRING	1
▲	17	160170	ASM, HOSE LOW PRESSURE	1
▲	18	150606	FITTING, 1/4MX1-3/8HEXNIP	1
▲	19	140058	WASHER, .543X.875X.062 WAND	1
▲▽		700062	ASM., SPRAYBAR WO/TIPS	1
▲	20	150700	CROSS, 1/4 FPT	1
▲	21	150600	FITTING, 1/4MX2" NIPPLE	2
▲	22	150401	FITTING, 1/4FX1/4F ELBOW 90	2
▲	23	200993	SPRAY BODY, 1/4" MALE	3
▲	24	200996	●FILTER, SCREEN 100 MESH	3
▲	25	200964	●FITTING, TIP 11003 T-JET	3
▲	26	200994	●CAP, SPRAY BODY	3

▽ ASSEMBLY / CONJUNTO

▲ INCLUDED IN ASSEMBLY / INCLUIDO EN EL CONJUNTO

● RECOMMENDED STOCK ITEMS / ARTICULOS RECOMENDADOS PARA MANTENER EN EXISTENCIA