

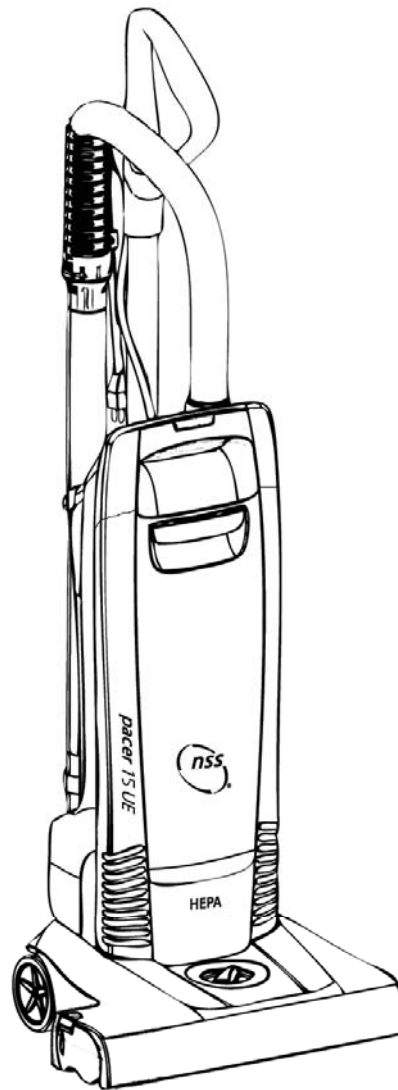
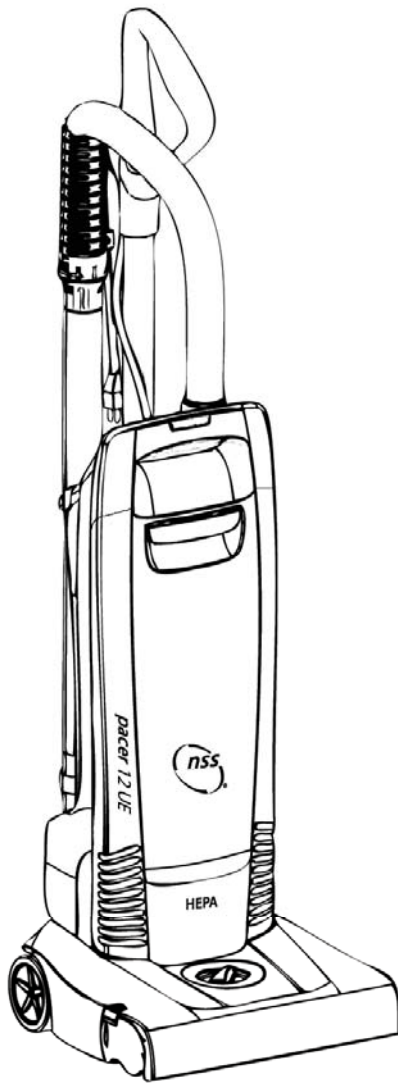


NSS Enterprises, Inc.

PACER 12UE, 15UE

UPRIGHT VACUUM CLEANERS

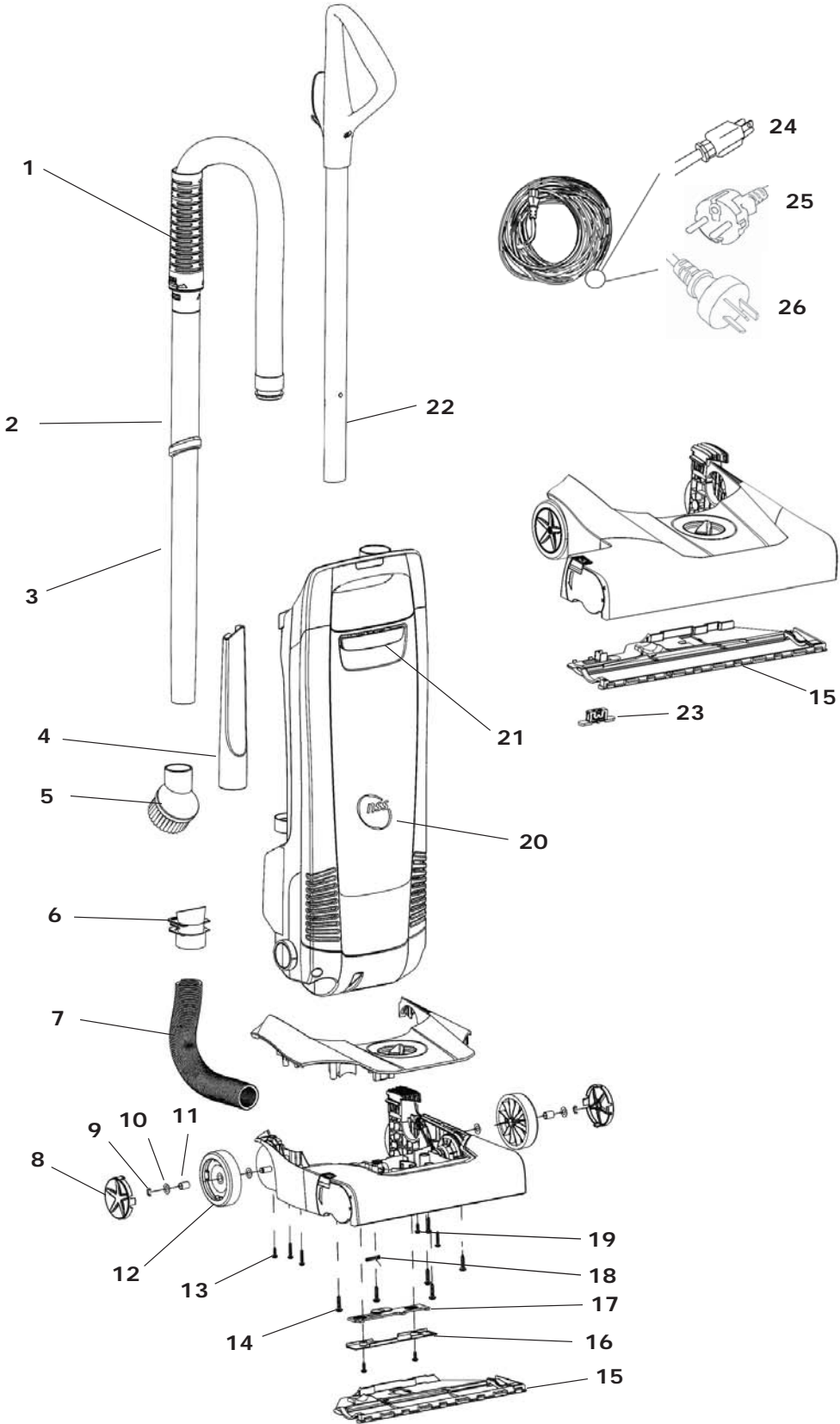
ILLUSTRATED PARTS LIST



MAIN EXTERNAL COMPONENTS

ITEM	PART No	DESCRIPTION	QTY
1	9690181	LONG HOSE ASSEMBLY	1
2	9691851	WAND GRIP	1
3	9690581	WAND	1
4	9690731	CREVIS TOOL	1
5	9690101	ROUND BRUSH	1
6	9690601	CONNECTOR, LOWER HOSE	1
7	9691541	LOWER HOSE	1
8	9691021	WHEEL COVER	2
9	9691581	E-RING	2
10	9691571	WASHER	4
11	9693111	BUSHING, WHEEL	2
12	9691951	WHEEL, REAR	2
13	9691521	SCREW, 4X12mm	4
14	9691501	SCREW, 5X20mm	5
15	9690941	COVER, BOTTOM - 12 INCH	1
15	9692991	COVER, BOTTOM - 15 INCH	1
16	9691081	COVER, BOTTOM LOCK	1
17	9691071	LOCK, BOTTOM COVER	1
18	9691441	SPRING, BUTTON	1
19	9691511	SCREW, 4X20mm	4
20	9690031	FRONT DOOR ASSEMBLY - PACER 12UE	1
20	9693251	FRONT DOOR ASSEMBLY - PACER 15UE	
21	9690541	FRONT DOOR LOCK (INCLUDED IN 9690031 AND 9693251)	1
22	9690071	HANDLE ASSEMBLY	1
23	9692961	LOCK, SIDE BOTTOM COVER - 15 INCH	1
24	9693211	CORD, 120V UL NORTH AMERICA	1
25	9693231	CORD, 240V CE SCHUKO	1
26	9693241	CORD, 240V CCC CHINA	1

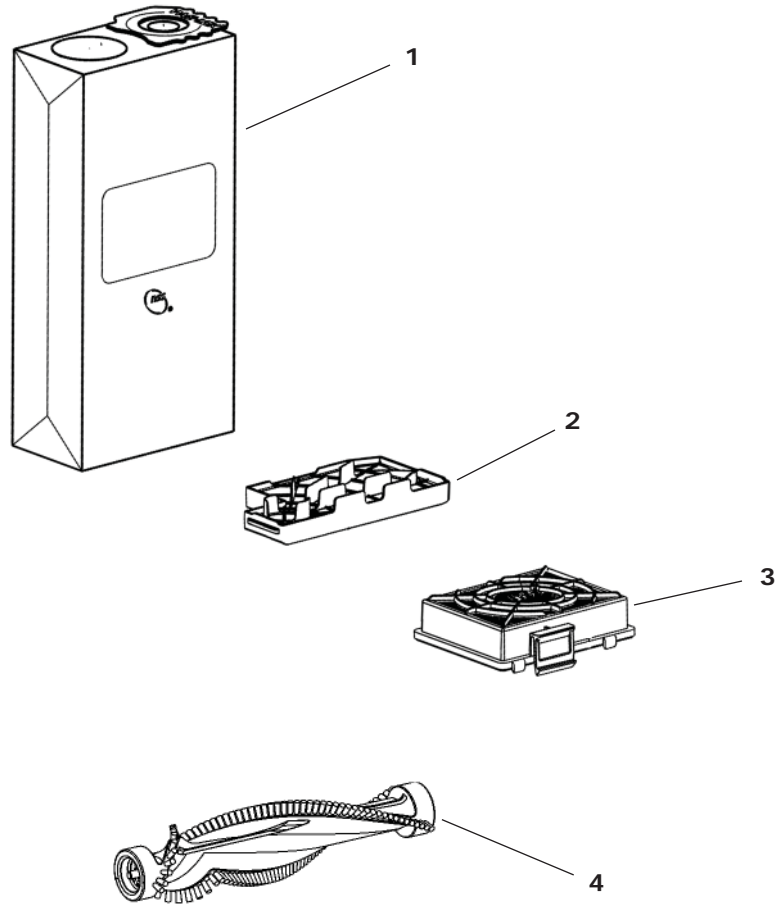
MAIN EXTERNAL COMPONENTS



FILTERS AND BRUSH ROLL

ITEM	PART No	DESCRIPTION	QTY
1	9691911	FILTER BAG, PACK OF 10	1
1	9694871	FILTER BAG, CLOTH REUSABLE QTY 1	1
2	9690741	MOTOR FILTER	1
3	9690051	HEPA FILTER	1
4	9690261	BRUSH ROLL, 12 INCH	1
4	9693171	BRUSH ROLL, 15 INCH	1

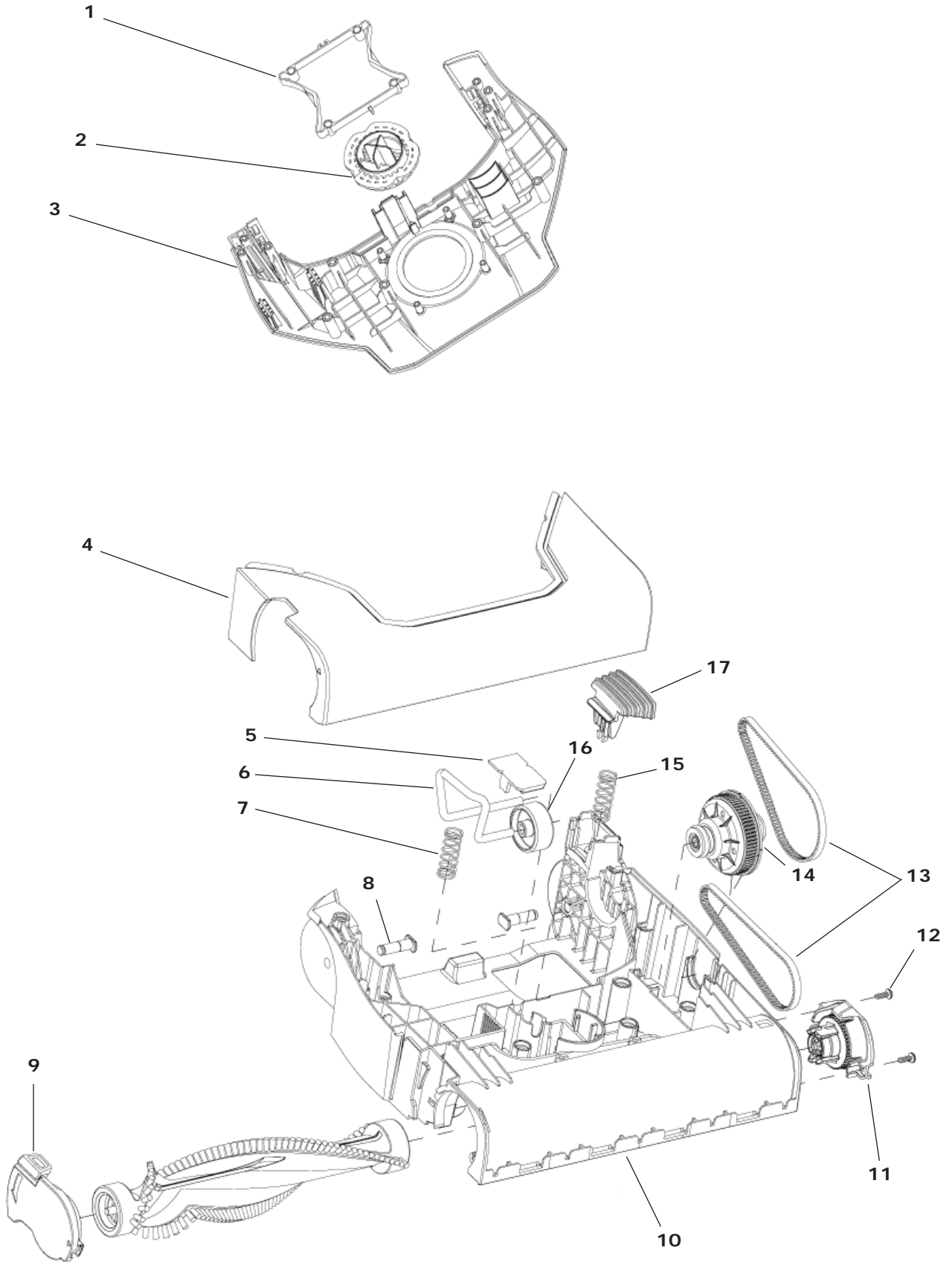
FILTERS AND BRUSH ROLL



BASE ASSEMBLY

ITEM	PART No	DESCRIPTION	QTY
1	9691051	SPRING SHELF	1
2	9691031	KNOB, BRUSH HEIGHT	1
3	9690921	TOP COVER	1
4	9691921	BUMPER, 12 INCH	1
4	9692981	BUMPER, 15 INCH	1
5	9691061	CAP, FRONT WHEEL	1
6	9691481	AXIS, FRONT WHEEL ADJUST	1
7	9691491	SPRING	1
8	9691461	AXLE, REAR WHEEL	2
9	9690271	REMOVAL CAP ASSEMBLY	1
10	9690911	BASE HOUSING, 12 INCH	1
10	9692971	BASE HOUSING, 15 INCH	
11	9690241	GEAR CAP ASSEMBLY	1
12	9691521	SCREW, 4 X 12 PK OF 5	2
13	9691961	BELT	2
14	9690151	CLUTCH ASSEMBLY	1
15	9691491	SPRING	1
16	9691041	WHEEL, FRONT	1
17	9690931	PEDAL, FOOT	1

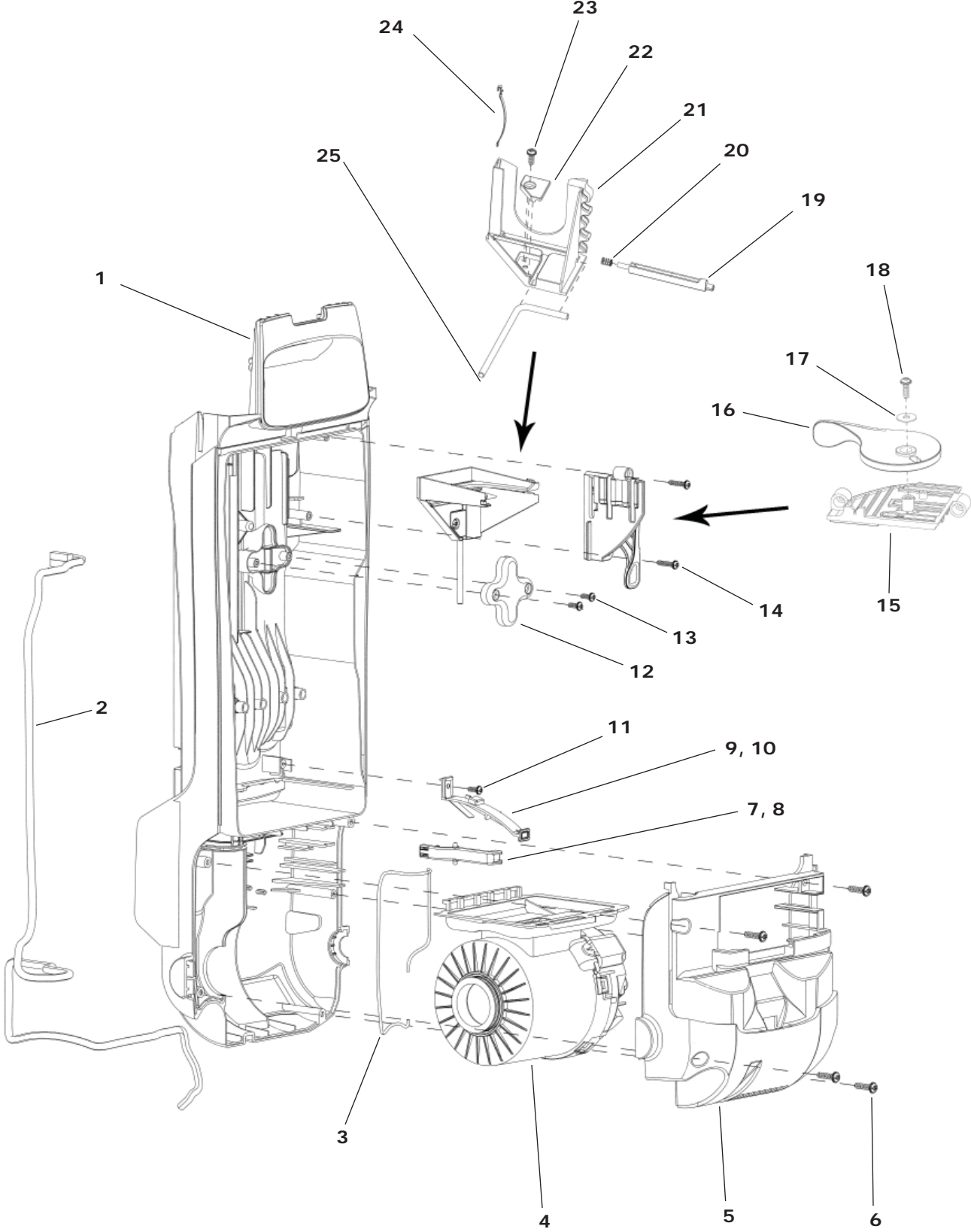
BASE ASSEMBLY



BODY ASSEMBLY

ITEM	PART No	DESCRIPTION	QTY
1	9691011	HOUSING, BODY	1
2	9692621	CABLE, MOTOR	1
3	9691901	SEAL, BODY	1
4	9690041	MOTOR AND HOUSING ASSY, 120VAC	1
4	9690311	MOTOR AND HOUSING ASSY, 240VAC	1
5	9690521	COVER, MOTOR HOUSING	1
6	9691501	SCREW, 5 X 20, PK OF 5	4
7	9690711	LEVER, HEPA LOCK	1
8	9691241	SPRING, HEPA LOCK	1
9	9690751	LEVER, FILTER LOCK	1
10	9691251	LOCK SHEET	1
11	9691521	SCREW, 4 X 12, PK OF 5	4
12	9690891	ROD CAPTURE	1
13	9691521	SCREW, 4 X 12, PK OF 5	4
14	9691511	SCREW, 4 X 20, PK OF 5	2
15	9690841	HOLDER, BAG REMOVER	1
16	9690851	KNOB, BAG REMOVAL	1
17	9691321	WASHER, 4.8mm ID X 14mm OD X 1.2mm THK, PK OF 5	1
18	9691511	SCREW, 4 X 20, PK OF 5	1
19	9690881	LOCK, KNOB	1
20	9691301	SPRING, KNOB LOCK	1
21	9690861	SLED, BAG REMOVAL	1
22	9690871	CLIP, ROD	1
23	9691511	SCREW, 4 X 20, PK OF 5	1
24	9691311	LEAF SPRING	1
25	9691291	ROD, OSCILLATION	1

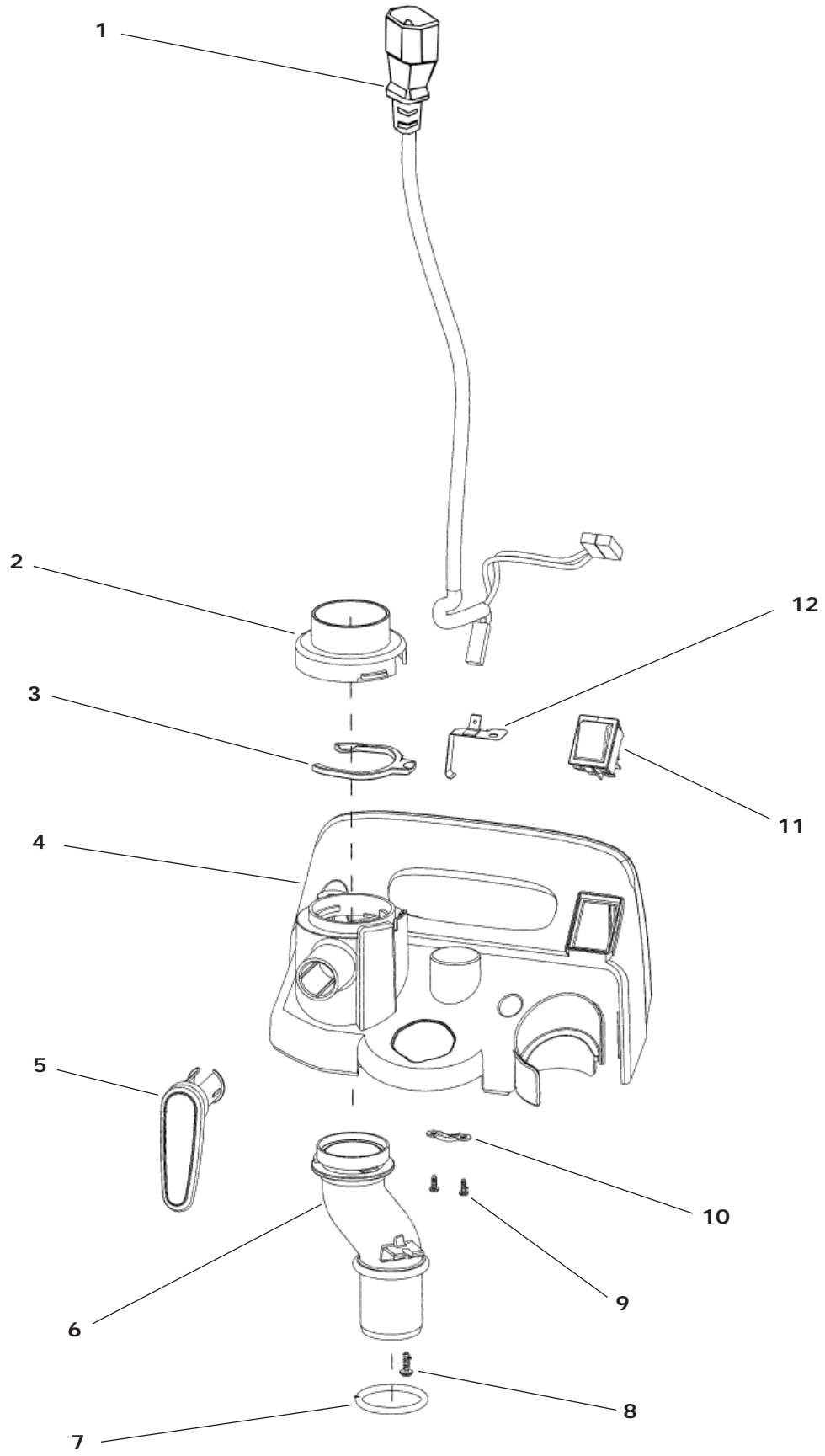
BODY ASSEMBLY



BODY TOP COVER ASSEMBLY

ITEM	PART No	DESCRIPTION	QTY
1	9693201	CORD, INLET 120V NORTH AMERICA	1
1	9693221	CORD, INLET 240V CE CCC	1
2	9690761	COVER, HOSE TO BODY CONNECTOR	1
3	9690771	LOCKER, HOSE	1
4	9690511	COVER, TOP BODY HOUSING	1
5	9690801	CORD WRAP	1
6	9690901	HOSE SLEEVE	1
7	9692571	SEAL RING	1
8	9691521	SCREW, 4 X 12, PK OF 5	1
9	9693101	SCREW, 3 X 10, PK OF 5	2
10	9690221	CLIP, WIRE	1
11	9692591	SWITCH	1
12	9690191	CONTACT, GROUND	1

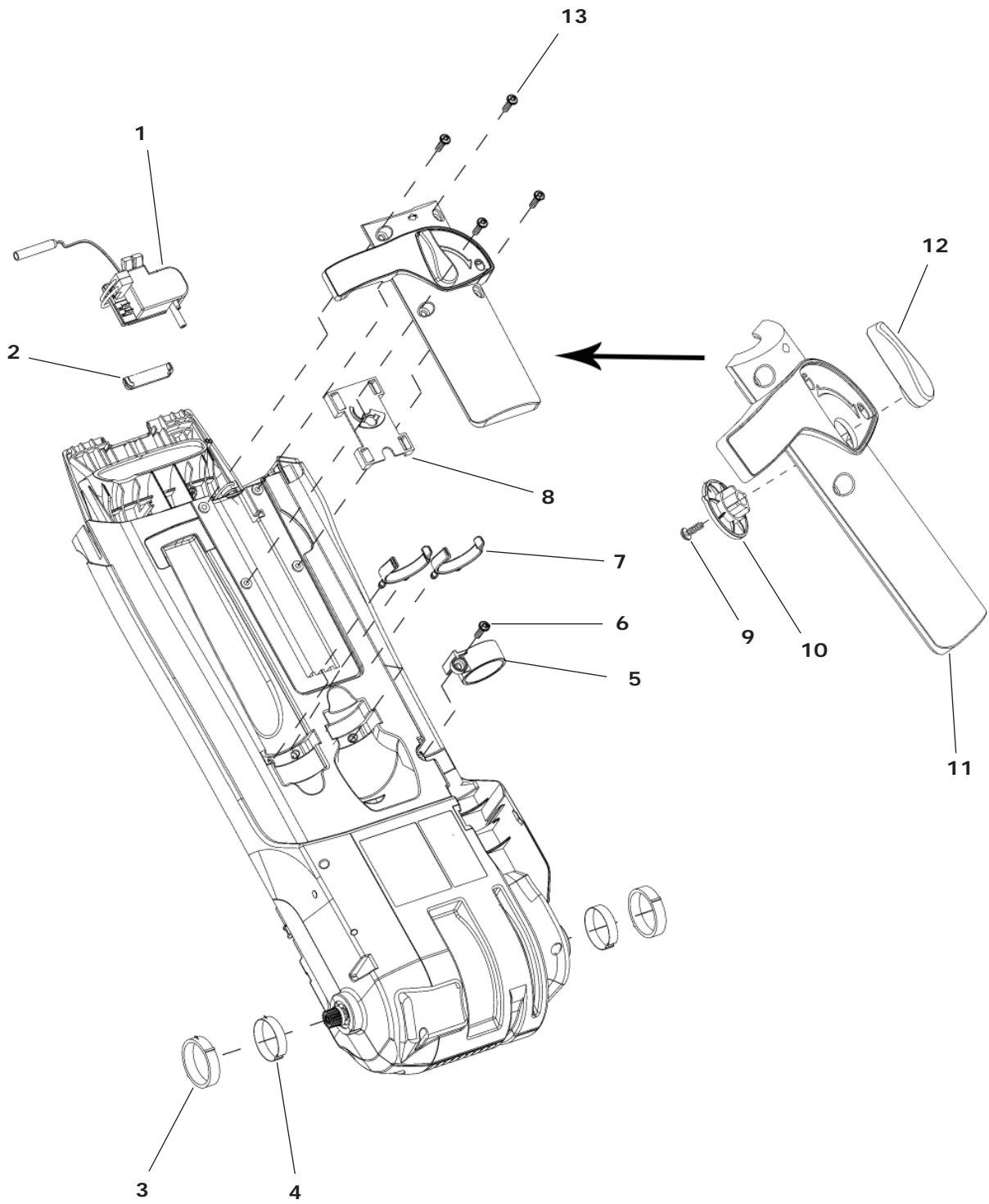
BODY TOP COVER ASSEMBLY



REAR BODY ASSEMBLY

ITEM	PART No	DESCRIPTION	QTY
1	9690141	ELECTRONIC ASSEMBLY, 120V	1
	9690321	ELECTRONIC ASSEMBLY, 240V	1
2	9690831	COVER, LIGHT	1
3	9690811	HINGE SLEEVE, PLASTIC	2
4	9691261	HINGE SLEEVE, STEEL	2
5	9690611	RING, WAND HOLDING	1
6	9691501	SCREW, 5 X 20, PK OF 5	1
7	9690701	CLIP, TOOL HOLDING	2
8	9690651	PLATE, HANDLE LOCK	1
9	9691521	SCREW, 4 X 12, PK OF 5	1
10	9690671	LOCK, HANDLE LEVER	1
11	9690641	COVER, HANDLE BACK	1
12	9690661	KNOB, HANDLE LOCK	1
13	9691501	SCREW, 5 X 20, PK OF 5	4

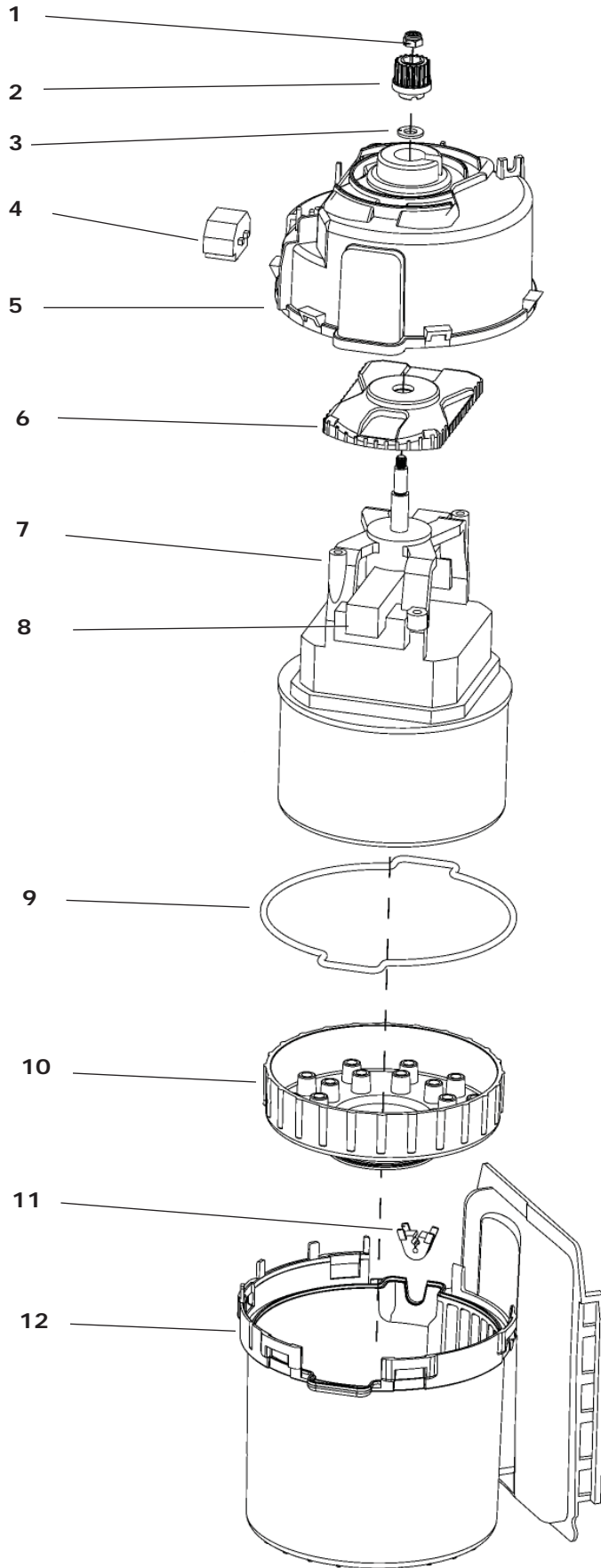
REAR BODY ASSEMBLY

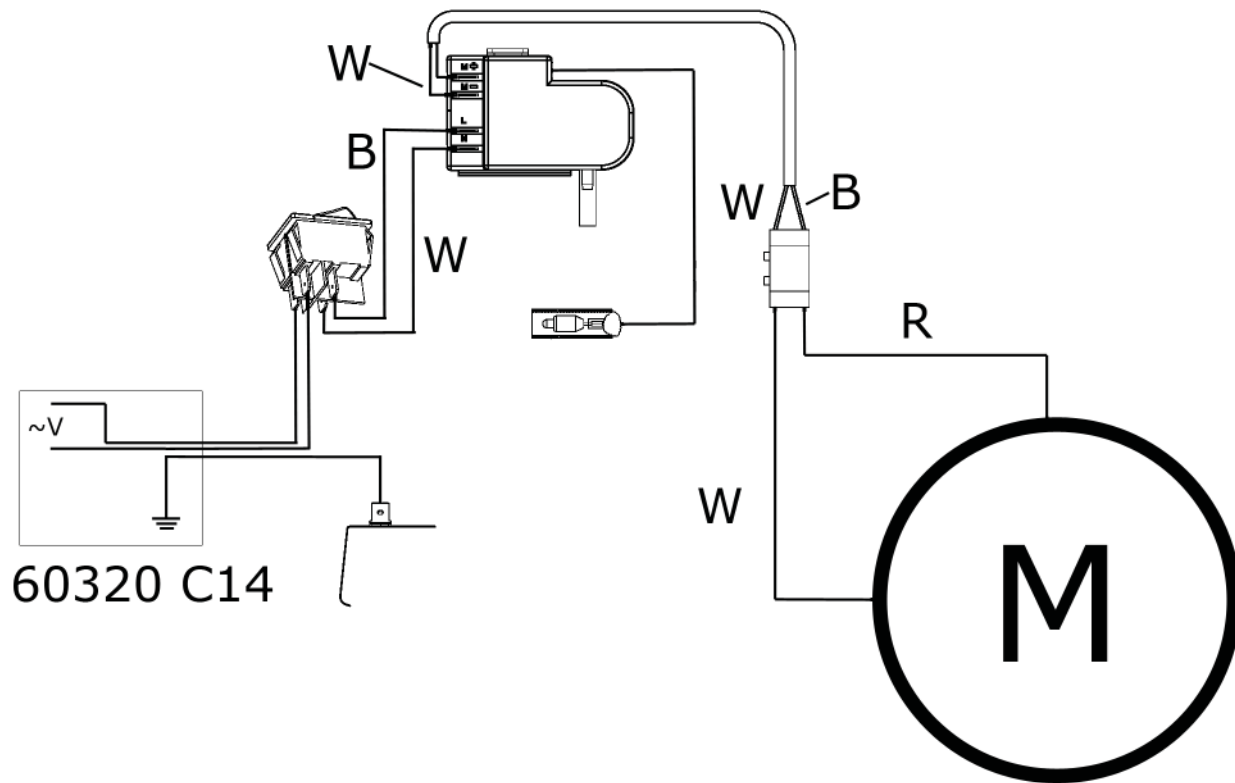


MOTOR AND HOUSING ASSEMBLY

ITEM	PART No	DESCRIPTION	QTY
1	9691221	NUT	1
2	9690571	MOTOR GEAR	1
3	9691211	WASHER	1
4	9692631	CONNECTOR, WIRE	1
5	9690561	COVER, MOTOR TOP	1
6	9691821	SEAL, MOTOR TOP	1
7	9691201	MOTOR, VACUUM 120VAC 50/60HZ	1
	9693181	MOTOR, VACUUM 240VAC 50/60HZ	1
8	9694901	CARBON BRUSH, REPLACEMENT 120V MOTOR	2
	9694891	CARBON BRUSH, REPLACEMENT 240V MOTOR	2
9	9691831	SEAL, MOTOR HOUSING	1
10	9691811	SEAL, MOTOR BOTTOM	1
11	9691841	SEAL, MOTOR LEADS	1
12	9690551	COVER, MOTOR BOTTOM	1

MOTOR AND HOUSING ASSEMBLY





NSS Enterprises, Inc.

3115 Frenchmens Road
Toledo, OH 43607-2958
USA

(800) 677-1663
(419) 531-3761

mailus@nss.com
www.nss.com

NSS European Distribution Centre

Unit 11,
Pinfold Trading Estate
55 Nottingham Road
Stapleford, Nottingham
NG9 8AD
England

(44) 0115 939 1568

NSS Asia Limited Shanghai

501 LiYuan Road, Building A7
Suite 7112 Lu Wan District
Shanghai
China
61371251

+86.21.61371251