

PARTS LIST
PACER 30 VACUUM

Original Instructions
Instructions D'origine



CE





IMPORTANT SAFETY INSTRUCTIONS

READ AND UNDERSTAND ALL INSTRUCTIONS
BEFORE OPERATING OR SERVICING MACHINE



WARNING

Failure to Observe These Instructions Can Cause Fire, Electrical Burn, Shock or Electrocution to Machine Operator or By-standers.

When using an electrical appliance, basic precautions should always be followed, including the following:

- **NEVER** attempt to operate machine unless you have been trained in its operation.
- **NEVER** allow an untrained person to operate this machine.
- Use this machine **ONLY** as described in this manual.
- This vacuum cleaner is designed for DRY pickup only. **DO NOT** use on wet surfaces or for wet pickup. **DO NOT USE OUTDOORS.** Electric shock could occur.
- **NEVER** operate machine with a damaged, broken, cut, abraded, or taped cord or plug.
- **ALWAYS** connect machine to a properly grounded electrical outlet. See the following pages for grounding instructions and wiring diagram.
- **NEVER** leave machine unattended when plugged in. Unplug machine from electrical outlet when not in use end before attempting repairs or maintenance.
- **ALWAYS** turn machine OFF before unplugging from electrical outlet.
- **NEVER** operate machine in the presence of flammable or combustible liquids, such as gasoline, fumes or dusts.
- **NEVER** attempt to pick up flammable or combustible liquids, such as gasoline, fumes or dusts.
- **NEVER** handle machine, cord or plug with wet hands.
- **NEVER** drop or insert any object into any machine opening.
- **ALWAYS** keep face, fingers, hair or any body part, or loose clothing away from any machine opening or moving part; revolving brush.
- **NEVER** pick up anything that is burning or smoking, such as cigarettes, matches or hot ashes.
- **ALWAYS** use extreme care when cleaning on stairs or when machine is placed on stairs.
- **NEVER** operate machine if it is not working properly, if it has been dropped, damaged, exposed to weather, or dropped into water, Return machine to service center for examination and repair.
- **NEVER** operate machine with any air opening blocked. Keep all air openings free of dust, lint, hair and the like.
- **NEVER** operate machine without dust bag and/or filters in place.
- **DO NOT** pull or carry machine by electrical supply cord, use cord as a handle, close door on cord, pull cord around sharp edges or corners, expose to heated surfaces, or set heavy or sharp objects on cord.
- **NEVER** disconnect plug by pulling on cord. To disconnect from outlet, grasp the plug, not the cord.
- **DO NOT** allow to be used as a toy. Close attention is necessary when used by or near children.

SAVE THESE INSTRUCTIONS

WARNING

DO NOT ATTEMPT MAINTENANCE OR REPAIRS BEFORE DISCONNECTING CORD FROM ELECTRICAL POWER SOURCE. READ ALL INSTRUCTIONS AND FOLLOW ALL ILLUSTRATIONS CAREFULLY.

Follow grounding sequence of assembly as shown to ground machine and ensure safety to operator.

FAILURE TO DO SO MAY CAUSE ELECTROCUTION due to improper connection of ground.

Replacement cords must be UL Listed/CSA approved and be of the identical electrical specifications as the original equipment cord.

Check nameplate on machine to be sure voltage and cycle stated on nameplate is the same as voltage and cycle of electrical outlet. **DO NOT** attempt to plug a 115 volt machine into a 240 volt outlet or a 240 volt machine into a 115 volt outlet.

The grounding blade on the plug must remain intact if the machine is to be properly grounded when plugged in and operated. An ungrounded machine can cause shock to the operator. See Figure A.

If connecting to an outlet that accepts only two blades use an adapter as in Figure B. **NEVER REMOVE THE GROUNDING BLADE.**

When grounding blade on plug is broken, it is preferable to replace the whole cord.

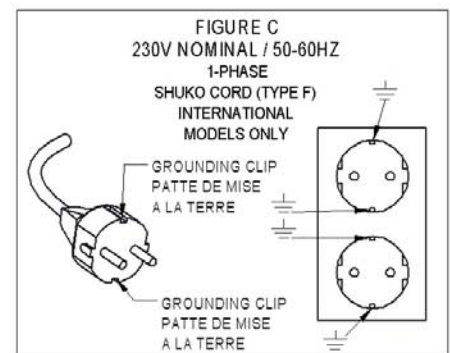
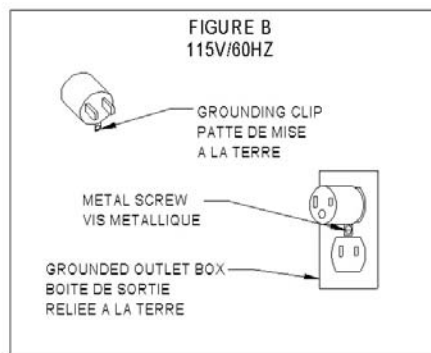
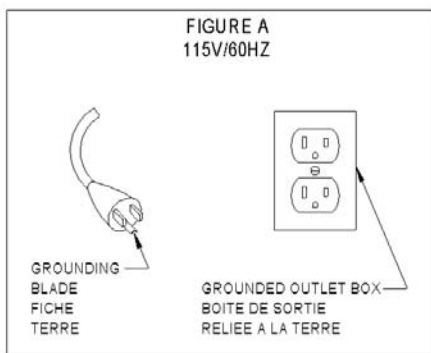
If you choose to replace 3-wire plug for 115 Volt use only UL Listed/CSA approved plug with rating of 125 Volt 15 amps (for 240 Volt use a 3-wire plug with rating consistent with voltage and amps required). Be sure that the green wire of the cord is connected to the green screw, and the black wire to gold screw of the replacement plug.

ALWAYS remember when replacing plug, that if the grounding wire (green) is connected to a live terminal at the machine or plug, the machine will become electrically charged and will result in electrical shock or electrocution.

If it is necessary to use the adapter shown in Figure B, the machine is only properly grounded if the adapter's green colored clip is tied under a metal screw that holds electrical outlet cover to the wall.

Figure C. Machine used on 240 volt may or may not have the grounding (earthed) plug attached to the cord. For USA 240 volt 60 HZ, the plug is already supplied with cord. For use outside the USA, it may be up to the purchaser to have a proper grounding (earthed) plug attached.

Always use a properly grounded 3-wire extension cord which has male and female plugs. Use only 14-3ST or SO type extension cord for a total cord length up to 100 feet [30.5m].

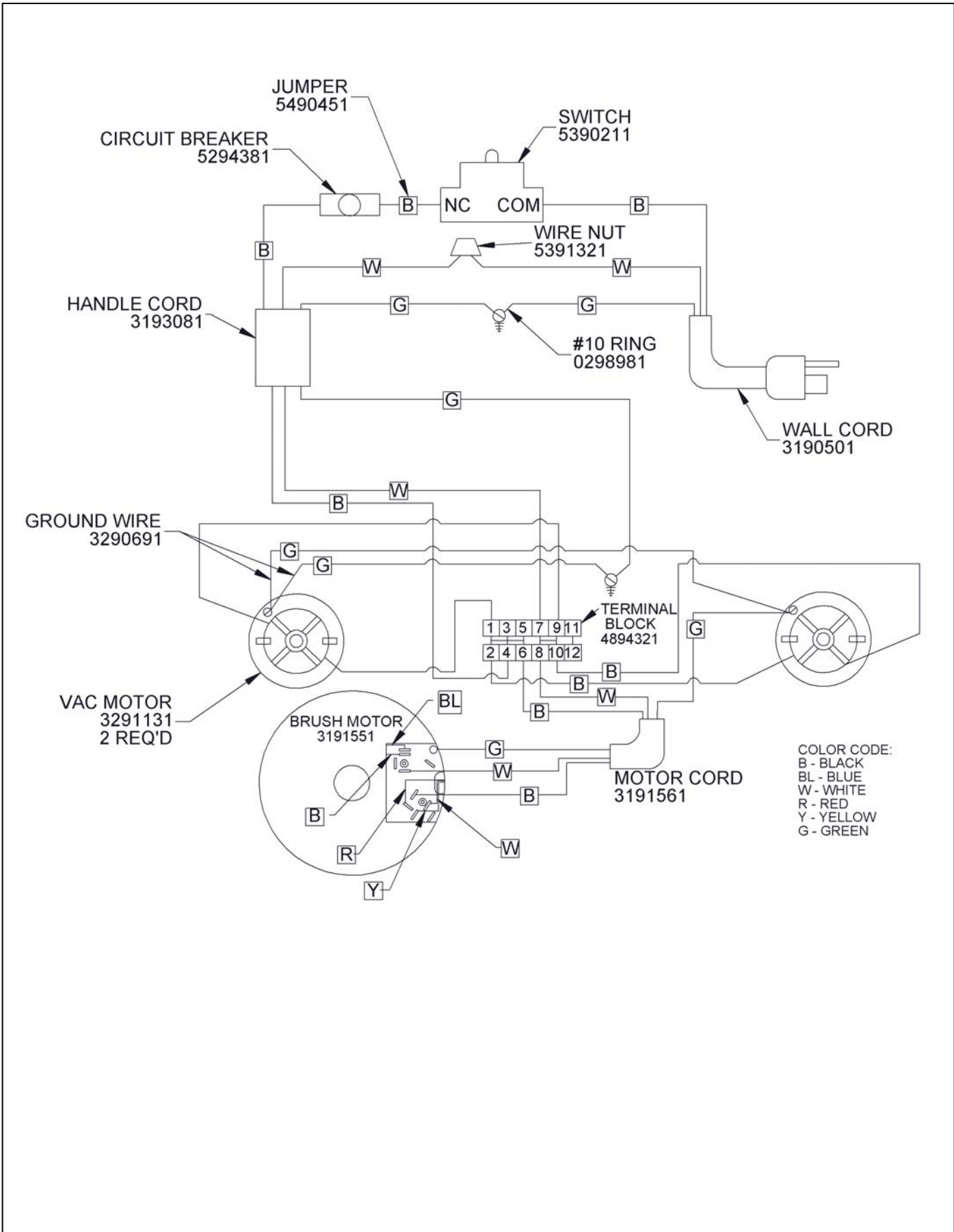


NOTE: IN CANADA, THE USE OF A TEMPORARY ADAPTOR IS NOT PERMITTED BY CANADIAN ELECTRICAL CODE.

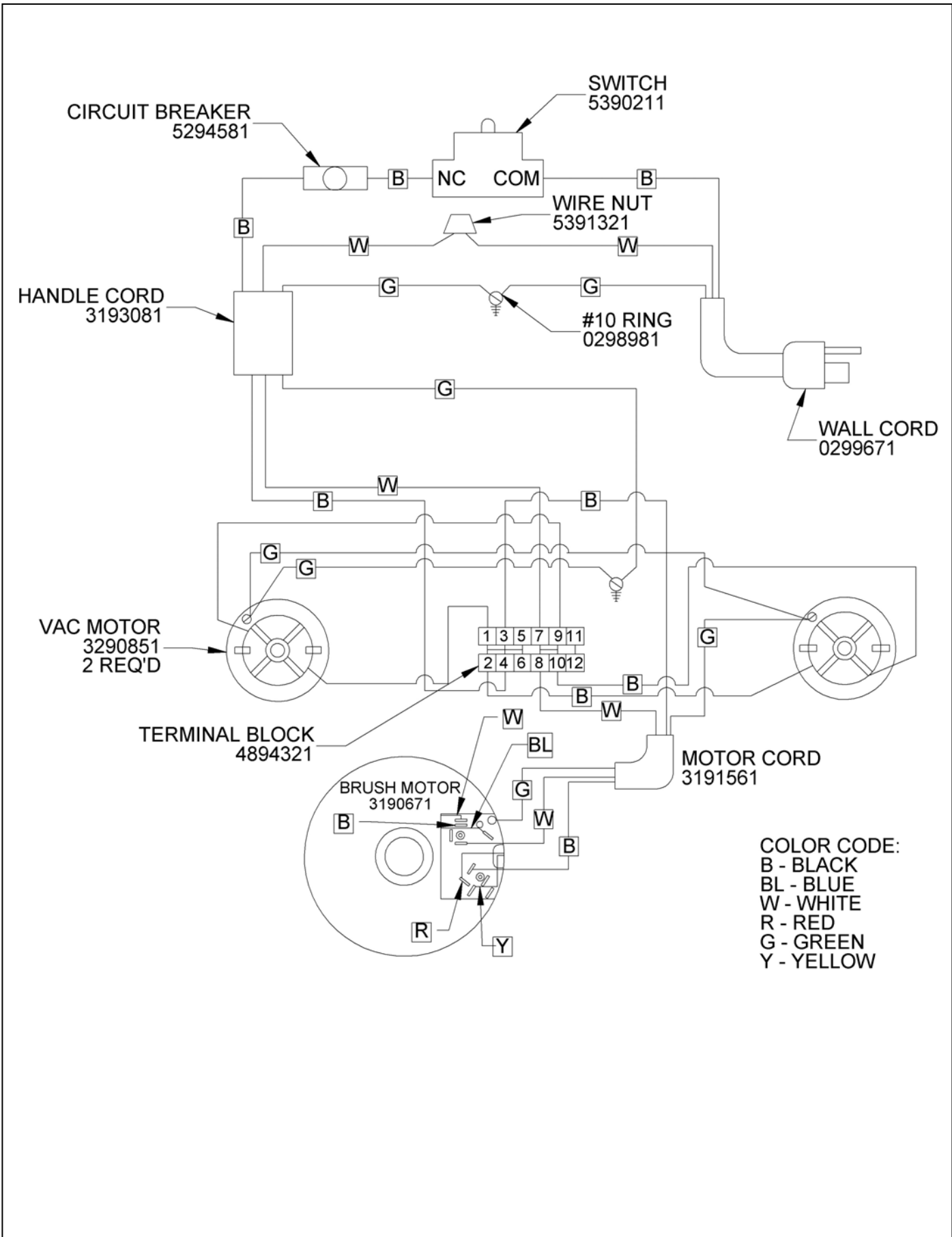
ALL REPAIR SERVICE MUST BE PERFORMED BY AN NSS AUTHORIZED DISTRIBUTOR / SERVICE STATION USING ONLY NSS ORIGINAL EQUIPMENT PARTS.

SAVE THESE INSTRUCTIONS

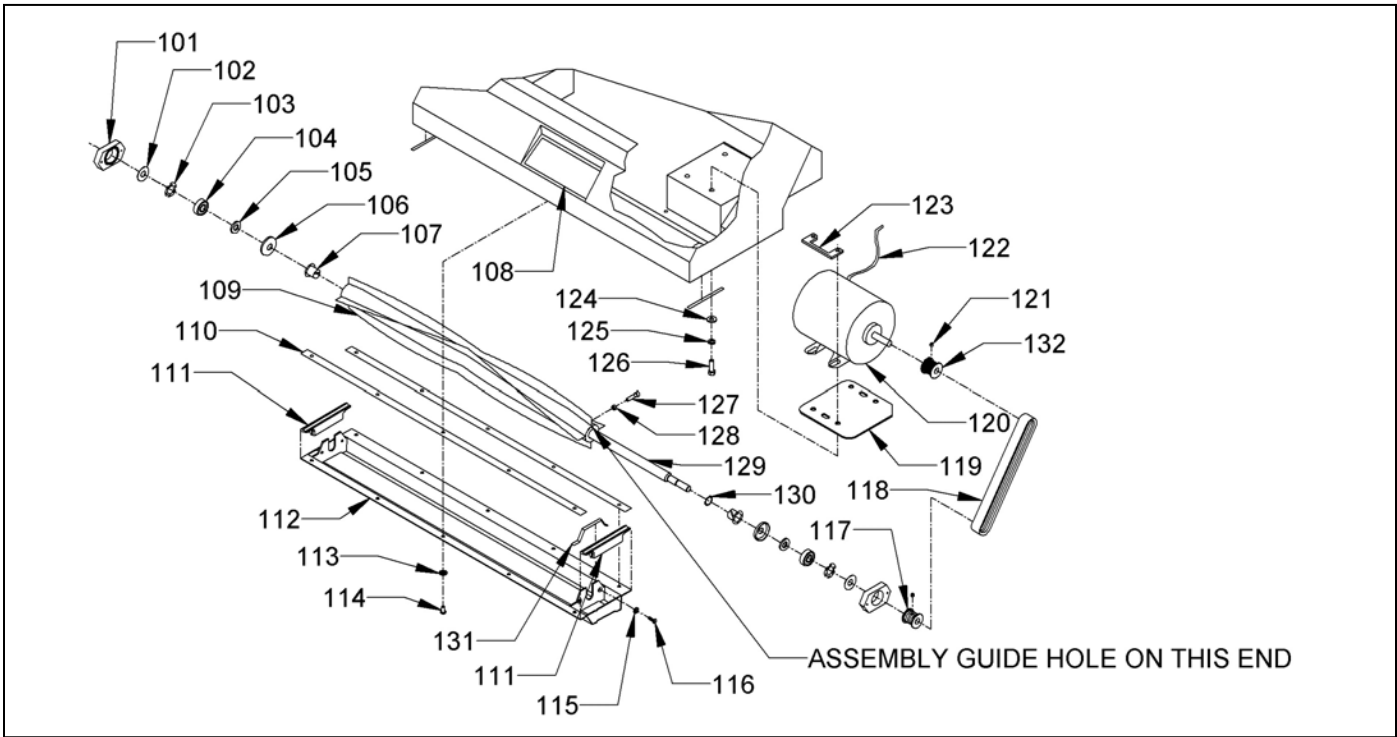
WIRING DIAGRAM 115 VOLT



WIRING DIAGRAM 220-240 VOLT



BRUSH AND SHOE

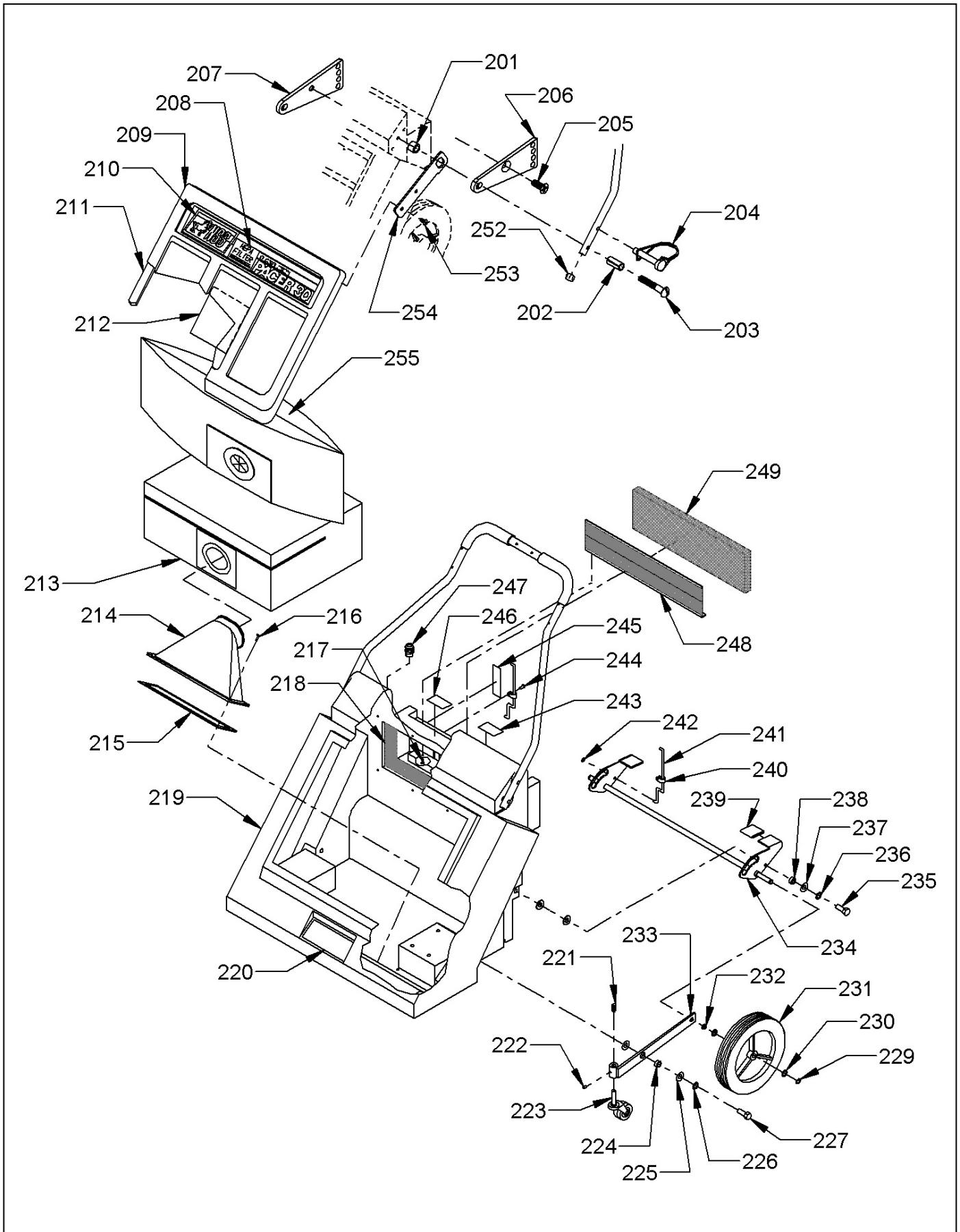


<u>ITEM</u>	<u>PART NO.</u>	<u>DESCRIPTION</u>	<u>QTY</u>
101	3190182	BEARING BLOCK – MACHINED	2
102	9122467	17/32 I.D. X 1-1/4 O.D. X 1/32 THICK FLAT WASHER - PACK OF 2	2
103	3490731	THRUST SPRING	2
104	1099921	BEARING	2
105	3190611	BEARING SPACER - PLATED	2
106	3190191	STRING GUARD – PLATED	2
107	3190601	NYLINER, 3/4" SHAFT, 3/4" LONG	2
108	3190591	WARNING LABEL	1
109	3190161	BRUSH	1
	3190169	BRUSH ASSEMBLY (INCLUDES ITEMS 104-107,109,128-130)	1
110	8891180	GASKET - 1 X 1/4 NEOPRENE (Sold in 1 foot increments)	6
111	3193151	GASKET, TPU, OUTBOARD BELT CHAMBER	2
112	3190051	SHOE	1
	3190669	BRUSH WITH SHOE ASSEMBLY (INCLUDES ITEMS 101-107,109-111,117,128-130)	1
113	9120970	1/4 EXTERNAL STAR LOCK WASHER – PACK OF 10	10
114	9121090	1/4-20 X 1/2 TRUSS HEAD PHILLIPS MACHINE SCREW – PACK OF 5	10
115	9120340	#10 COUNTERSUNK EXTERNAL STAR LOCK WASHER – PACK OF 5	4
116	9120550	#10-24 X 5/8 FLAT HEAD PHILLIPS MACHINE SCREW – PACK OF 10	4
117	3190211	BRUSH PULLEY	1
118	3290261	PACER 28/30 BELT, POLY V-GROOVE	1
119	3190713	MOTOR SUPPORT PLATE – PAINTED	1
120	3191551	BRUSH DRIVE MOTOR - 1/3 H.P. - 115 VOLT	1
	3190671	BRUSH DRIVE MOTOR - 1/3 H.P. - 230 VOLT	1
121	9120840	1/4-20 X 3/16 SET SCREW - KNURL POINT – PACK OF 5	2
122	3191561	CORD - BRUSH DRIVE MOTOR	1
123	3291046	MOTOR TAPPING PLATE – PLATED	2
124	9121400	3/8 I.D. X 7/8 O.D. X .064/.104 THICK WROUGHT WASHER (5/16) – PK OF 10	4
125	9121520	5/16 SPLIT LOCK WASHER – PACK OF 10	4
126	9121680	5/16-18 X 1 HEX BOLT – PACK OF 5	4
127	9120980	1/4-20 X 1 SOCKET HEAD CAP SCREW – PACK OF 5	2
128	3190201	BRUSH SPACER – PLATED	2
129	3190178	BRUSH SHAFT – COMPLETE	1
130	3193131	BRUSH SHAFT “O” RING	1
131	3193141	GASKET, TPU, INBOARD BELT CHAMBER	1
132	3191531	MOTOR PULLEY	1

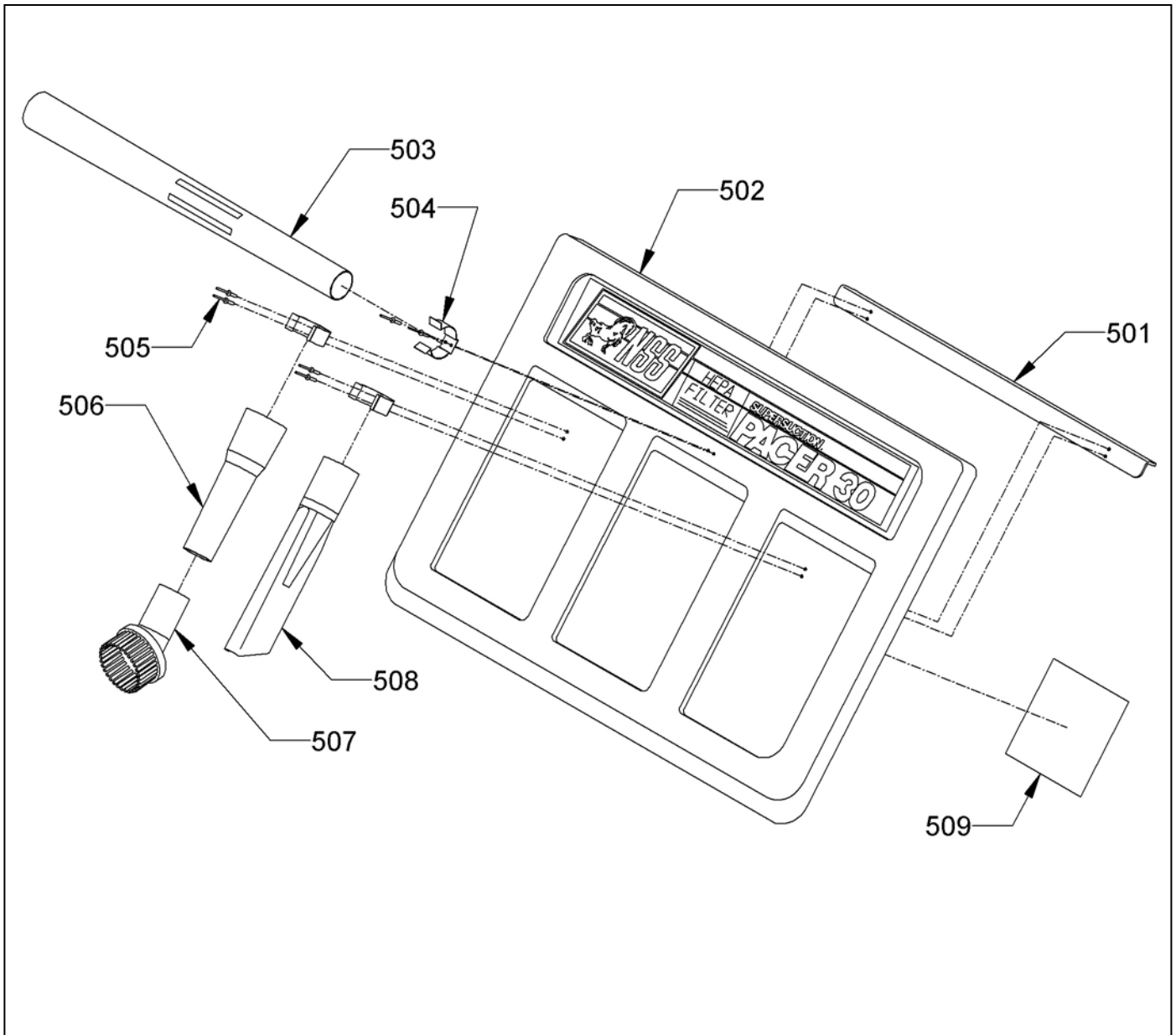
BODY

ITEM	PART NO.	DESCRIPTION	QTY
201	3190261	HANDLE AND LID PIVOT	2
202	0690661	PIVOT SPACER – PLATED	2
203	9122045	3/8-16 X 2 1/4" FLAT ROUND HEAD SCREW – PACK OF 1	2
204	9121950	3/8 X 1-5/8 CLEVIS PIN W/RETAINER	2
205	9122043	3/8-16 X 1 OVAL HEAD SCREW	2
206	3192081	BRACKET - LEFT, HANDLE ADJUSTMENT	1
207	3192071	BRACKET - RIGHT, HANDLE ADJUSTMENT	1
208	3193021	HEPA FILTER LABEL, CLEAR	1
209	3190021	LID	1
210	7692561	LABEL – LID	1
211	8891100	GASKET MATERIAL - 1/2 X 1"	7.5
212	3193091	LABEL, 115 VOLT WIRE DIAGRAM	1
	3193101	LABEL, 230 VOLT WIRE DIAGRAM	1
213	3290291	CLOTH FILTER BAG	1
214	3190041	INTAKE	1
215	3190431	GASKET SET – NEOPRENE	1
216	9120790	#10 X 5/8 PAN HEAD PHILLIPS SHEET METAL SCREW – PACK OF 10	8
217	9120810	#10 X 1/2 PAN HEAD PHILLIPS SHEET METAL SCREW – PACK OF 10	4
218	8691010	2 1/4" X 3/8" FELT. PSA	7
219	3190011	BODY	1
220	3190591	WARNING LABEL	1
221	3190511	SPRING - LEFT CASTER	1
	3190521	SPRING - RIGHT CASTER (NOT SHOWN)	1
222	9120860	1/4-20 X 3/8 SET SCREW - CUP POINT – PACK OF 5	2
223	3190371	CASTER	2
224	4492791	PIVOT BUSHING – PLATED	2
225	9122450	7/16 I.D. X 1 1/16 O. D. X .074/.121 THICK SAE FLAT WASHER (1/2) – PK OF 5	4
226	9122420	1/2 SPLIT LOCK WASHER – PACK OF 5	2
227	9122540	1/2-13 X 1 1/4 HEX HEAD BOLT – PACK OF 1	2
229	9122496	RETAINING RING – PACK OF 8	2
230	9122465	5/16 I.D. X .813 O.D. X .027/.030 THK FLAT WASHER – PACK OF 2	4
231	4892731	WHEEL - 10" WHITE PLASTIC	2
232	5091711	WHEEL SPRING	2
233	3190101	LEFT PIVOT ASSEMBLY WITH SCREW	1
	3190111	RIGHT PIVOT ASSEMBLY WITH SCREW (NOT SHOWN)	1
234	3190226	AXLE ASSEMBLY – COMPLETE	1
235	9122540	1/2-13 X 1 1/4 HEX HEAD BOLT – PACK OF 1	2
236	9122420	1/2 SPLIT LOCK WASHER – PACK OF 5	2
237	9122450	7/16 I.D. X 1 1/16 O. D. X .074/.121 THICK SAE FLAT WASHER (1/2) – PK OF 5	4
238	4492791	PIVOT BUSHING – PLATED	2
239	3190541	FOOT PEDAL GRIP	2
240	4894071	CLAMP, .437 DIA. CABLE	1
241	3190481	HEIGHT INDICATOR ROD	1
242	9120945	1/4 RETAINING RING	1
243	0190901	WARNING LABEL	1
244	9120530	#10-24 X 7/8 TRUSS HEAD PHILLIPS MACHINE SCREW – PACK OF 10	3
245	3190421	LABEL - BRUSH HEIGHT	1
246	0190911	GROUNDING LABEL	1
247	8691010	2 1/4 X 3/8" FELT, PSA	7
248	3190093	BAFFLE PLATE – PAINTED	1
249	3190331	FOAM FILTER	1
252	0690761	PLUG BUTTON	2
253	9120810	#10 X 1/2 PAN HEAD PHILLIPS SHEET METAL SCREW – PACK OF 10	4
254	3190271	LID HINGE	2
255	3190791	6-PACK PAPER FILTER BAGS	1

BODY

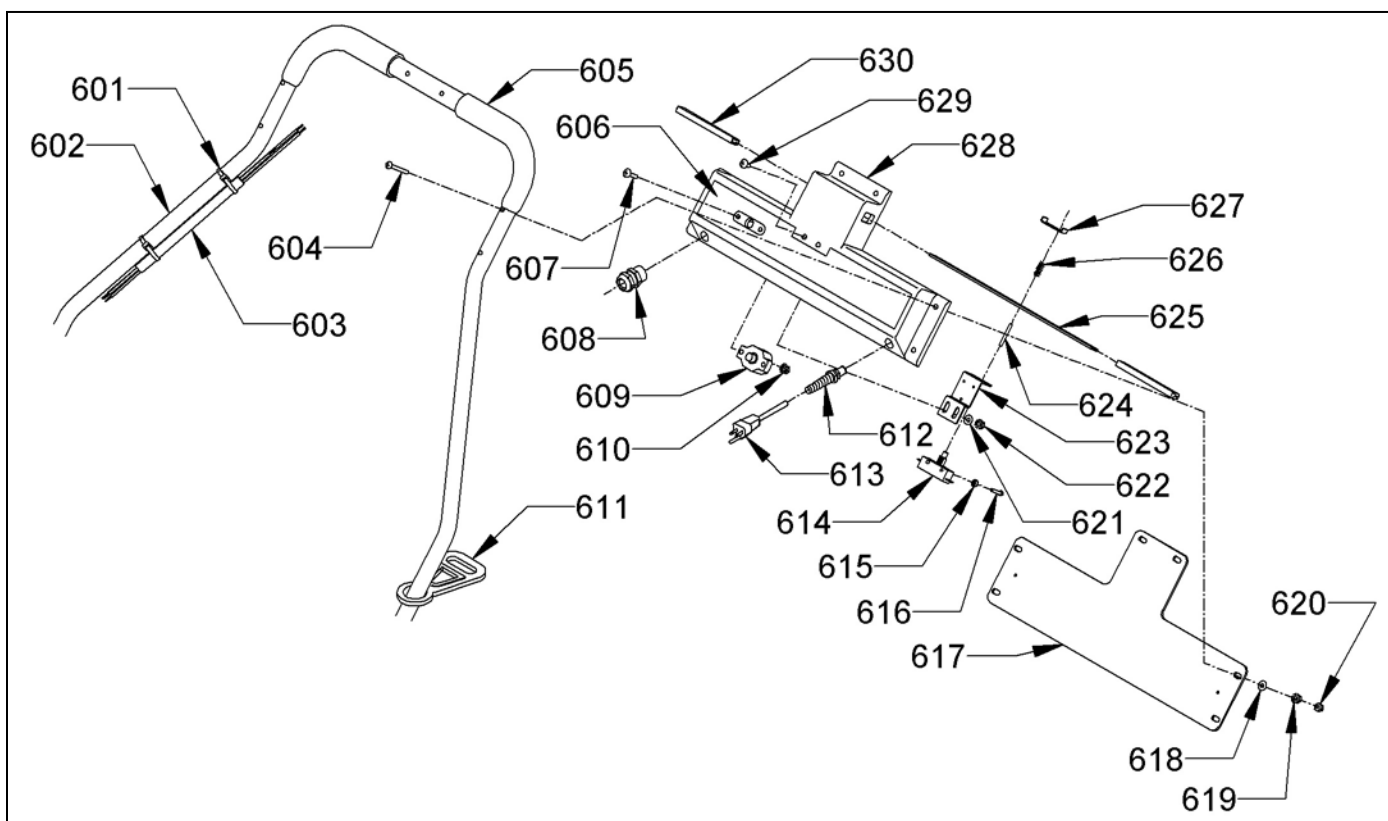


LID WITH TOOLS



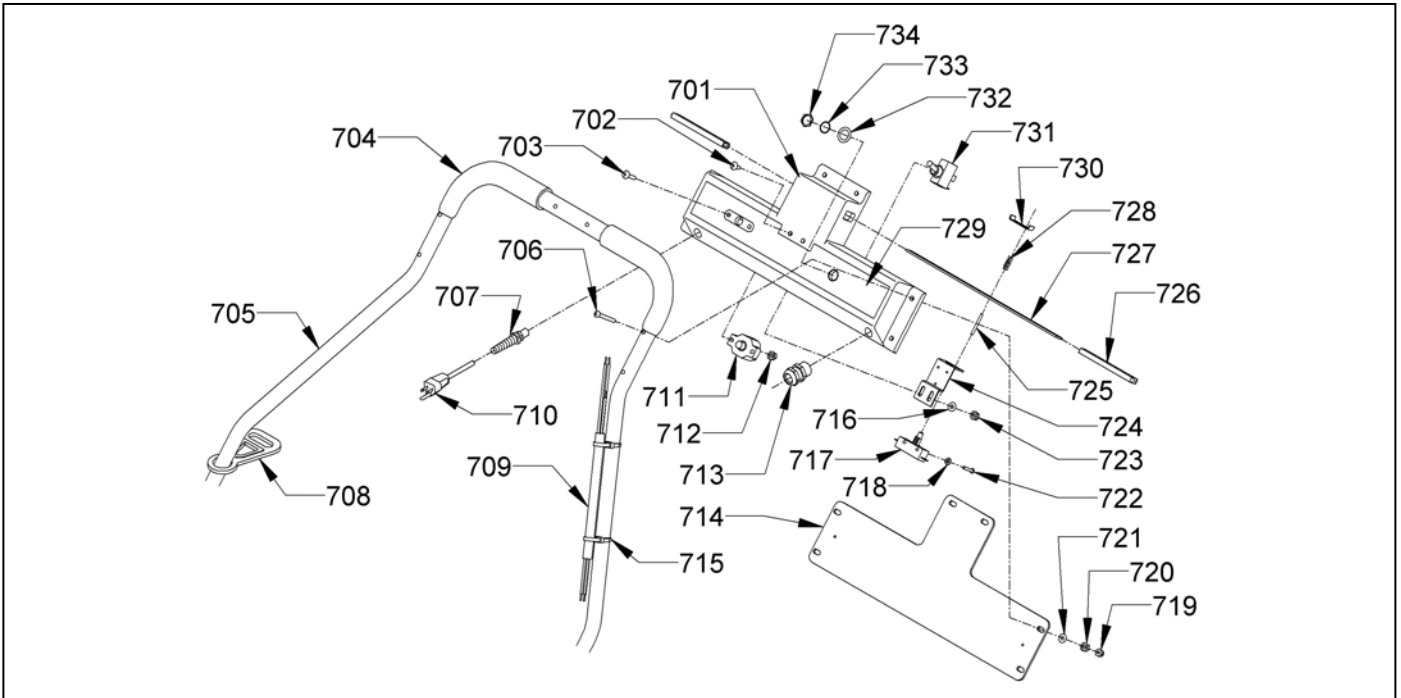
<u>ITEM</u>	<u>PART NO.</u>	<u>DESCRIPTION</u>	<u>QTY</u>
501	3191101	LID SUPPORT	1
502	3191091	LID	1
503	5790321	WAND (HI-UP TUBE)	2
504	7691921	SPRING CLIP	3
505	2391751	POP RIVET	6
506	5790311	REDUCER TUBE, 1.75 TO 1.375	1
507	5790111	2.5 ROUND BRUSH	1
508	5790291	CREVICE TOOL	1
509	3193091	115 V WIRING DIAGRAM LABEL	1
	3193101	230 V WIRING DIAGRAM LABEL	1

HANDLE



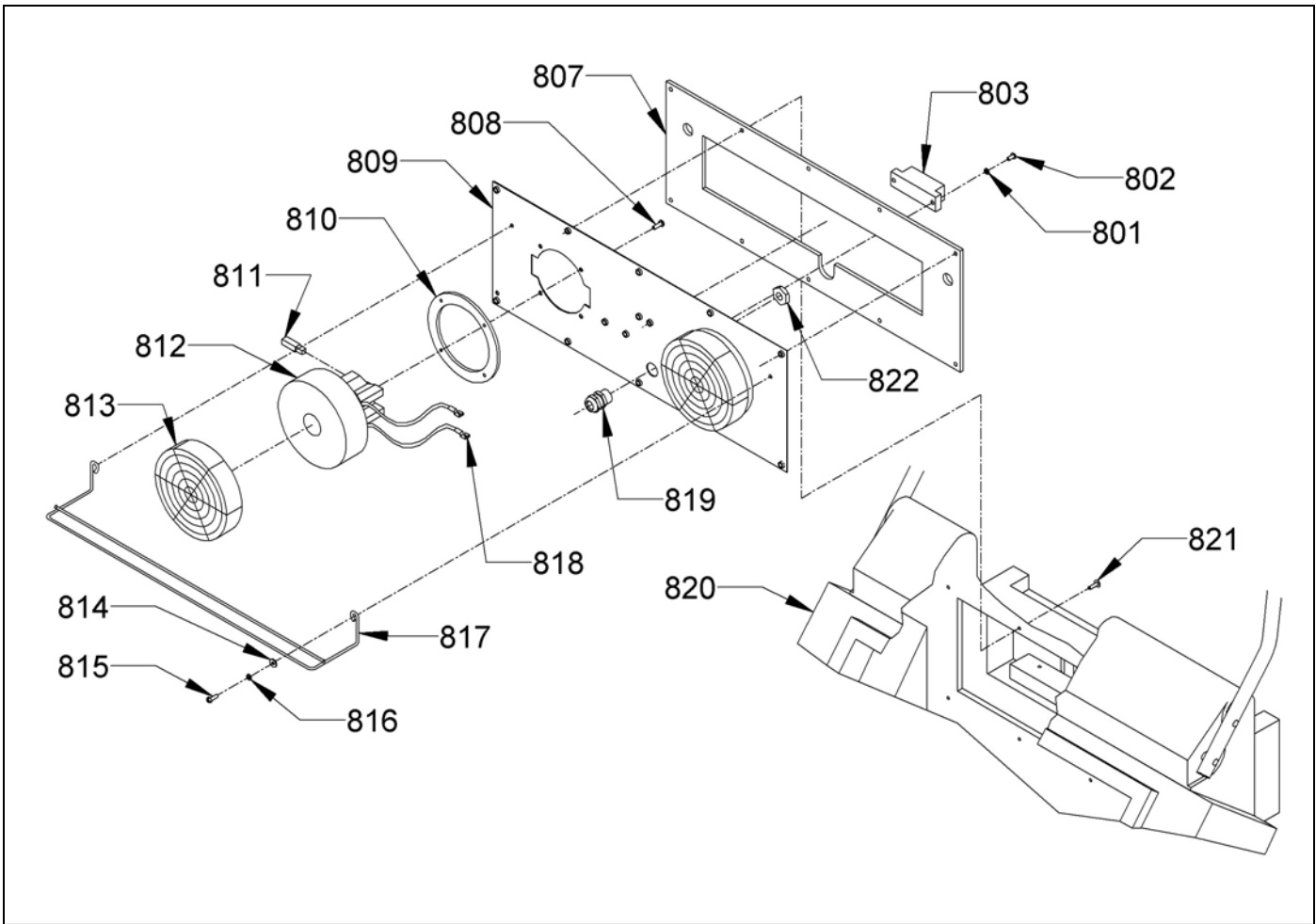
ITEM	PART NO.	DESCRIPTION	QTY
601	3190621	CABLE TIE	2
602	3192061	HANDLE	1
603	3193081	HANDLE CORD	1
604	9120480	#10-24 X 1-3/4 ROUND HEAD PHILLIPS MACHINE SCREW – PACK OF 5	6
605	3190151	HANDLE GRIP – BLACK	2
606	3190411	LABEL, SWITCH BOX	1
607	9120530	#10-24 X 7/8 TRUSS HEAD PHILLIPS MACHINE SCREW – PACK OF 10	2
608	3190381	STRAIN RELIEF, NON – FLEXIBLE	3
609	5294381	17 1/2 AMP. CIRCUIT BREAKER (115 VOLT)	1
	5294581	8 AMP CIRCUIT BREAKER (240 VOLT)	1
610	9120360	#10-24 HEX NUT WITH STAR LOCK WASHER – PACK OF 10	2
611	3190571	STRAIN RELIEF - TYPE 530	1
612	0299531	STRAIN RELIEF	1
613	3190501	WALL CORD - 75 FT. (115 VOLT)	1
	0299671	SHUKO CORD 75 FT. 16-3 (240 VOLT W/ SHUKO)	1
	0396281	WALL CORD WITH TYPE I PLUG (220V, CHINA)	1
614	5390211	SWITCH	1
615	9120040	#6 EXTERNAL STAR LOCK WASHER – PACK OF 10	2
616	9120090	#6-32 X 7/8 PAN HEAD PHILLIPS MACHINE SCREW – PACK OF 10	2
617	3190351	CONTROL PANEL PLATE	1
618	9120355	#10-24 CAP NUT / ACORN HEX – PACK OF 1	6
619	9120370	7/32 I.D. X 1/2 O.D. X .032/.065 THICK SAE FLAT WASHER (#10) – PK OF 10	6
620	9120360	#10-24 HEX NUT WITH STAR LOCK WASHER – PACK OF 10	6
621	9120370	7/32 I.D. X 1/2 O.D. X .032/.065 THICK SAE FLAT WASHER (#10) – PK OF 10	2
622	9120360	#10-24 HEX NUT WITH STAR LOCK WASHER – PACK OF 10	2
623	3190321	SWITCH BRACKET – PLATED	1
624	9120315	ROLL PIN 1/8 DIA., 1 1/4 LONG – PACK OF 5	2
625	3190313	SWITCH LEVER – PAINTED	1
626	5390171	SWITCH LEVER SPRING	2
627	3190531	ROLL PIN GUIDE	1
628	3190341	CONTROL PANEL	1
629	9120510	#10-24 X 1/2 TRUSS HEAD PHILLIPS MACHINE SCREW – PACK OF 10	2
630	0393411	GRIP, SWITCH LEVER	2

HANDLE FOR WAND



ITEM	PART NO.	DESCRIPTION	QTY
701	3190341	CONTROL PANEL	1
702	9120510	#10-24 X 1/2 TRUSS HEAD PHILLIPS MACHINE SCREW – PACK OF 10	2
703	9120530	#10-24 X 7/8 TRUSS HEAD PHILLIPS MACHINE SCREW – PACK OF 10	2
704	3190151	HANDLE GRIP – BLACK	2
705	3192061	HANDLE	1
706	9120430	#10-24 X 3/4 ROUND HEAD PHILLIPS MACHINE SCREW – PACK OF 10	6
707	0299531	STRAIN RELIEF	1
708	3190571	STRAIN RELIEF - TYPE 530	1
709	3191071	HANDLE CORD	1
710	3190501	WALL CORD - 75 FT. (115 VOLT)	1
	0299671	SHUKO CORD 75 FT. 16-3 (240 VOLT W/ SHUKO)	1
	0396281	WALL CORD WITH TYPE I PLUG (220V, CHINA)	1
711	5294381	17 1/2 AMP. CIRCUIT BREAKER (115 VOLT)	1
	5294581	8 AMP CIRCUIT BREAKER (240 VOLT)	1
712	9120360	#10-24 HEX NUT WITH STAR LOCK WASHER – PACK OF 10	2
713	3190381	STRAIN RELIEF, NON – FLEXIBLE	1
714	3190351	CONTROL PANEL PLATE	1
715	3190621	CABLE TIE	2
716	9120370	7/32 I.D. X 1/2 O.D. X .032/.065 THICK SAE FLAT WASHER (10) – PACK OF 10	2
717	5390211	SWITCH	1
718	9120040	#6 EXTERNAL STAR LOCK WASHER – PACK OF 10	2
719	9120355	#10-24 CAP NUT / ACORN HEX – PACK OF 1	6
720	9120360	#10-24 HEX NUT WITH STAR LOCK WASHER – PACK OF 10	6
721	9120370	7/32 I.D. X 1/2 O.D. X .032/.065 THICK SAE FLAT WASHER (10) – PK OF 10	6
722	9120090	#6-32 X 7/8 PAN HEAD PHILLIPS MACHINE SCREW – PACK OF 10	2
723	9120360	#10-24 HEX NUT WITH STAR LOCK WASHER – PACK OF 10	2
724	3190321	SWITCH BRACKET – PLATED	1
725	9120315	ROLL PIN 1/8 DIA., 1 1/4 LONG – PACK OF 5	2
726	0393411	GRIP, SWITCH LEVER	2
727	3190313	SWITCH LEVER – PAINTED	1
728	5390171	SWITCH LEVER SPRING	2
729	3191061	LABEL, SWITCH BOX	1
730	3190531	ROLL PIN GUIDE	1
731	4491101	TOGGLE SWITCH	1
732	9122465	5/16 I.D. X .813 O.D. X .027/.030 THK FLAT WASHER – PACK OF 2	1
733	9121975	1/2 INTERNAL STAR LOCK WASHER – PACK OF 5	1
734	0798821	5/8" HEX NUT (LARGE NUT)	1

VACUUM MOTORS



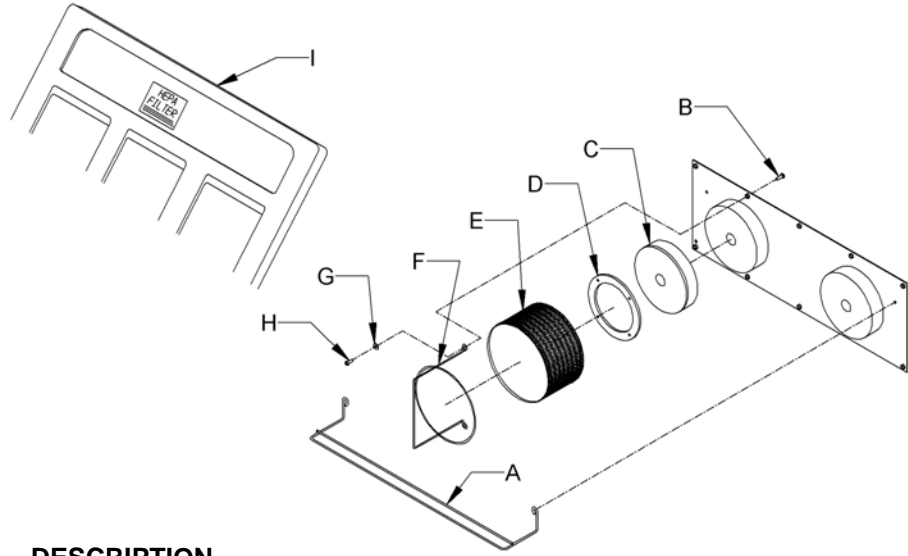
<u>ITEM</u>	<u>PART NO.</u>	<u>DESCRIPTION</u>	<u>QTY</u>
801	9120320	#10 SPLIT LOCK WASHER – PACK OF 10	2
802	9120440	#10-24 X 7/16 ROUND HEAD PHILLIPS MACHINE SCREW – PK OF 10	2
803	4894321	TERMINAL BLOCK	1
807	3190431	GASKET SET, NEOPRENE (VAC MOTOR PLATE)	1
808	9120610	#10-24 X 5/8 PAN HEAD PHILLIPS THREAD CUTTING SCREW – PACK OF 10	8
809	3193063	VAC MOTOR PLATE, PAINTED	1
810	4690101	VAC MOTOR / FLOAT GASKET	2
811	0299331	CARBON BRUSH	4
812	3291131	VAC MOTOR 115 VOLT, PACER 30 / 28	2
	3290851	VAC MOTOR 230 VOLT, PACER 30 / 28	2
813	6790351	FAN FILTER (NON - HEPA ONLY)	2
814	9120370	7/32 I.D. X 1/2 O.D. X .032/.065 THICK SAE FLAT WASHER (10) – PK OF 10	2
815	9120420	#10-24 X 5/8 ROUND HEAD PHILLIPS MACHINE SCREW – PACK OF 10	2
816	9120320	#10 SPLIT LOCK WASHER – PACK OF 10	2
817	3290726	BAG GUARD - PLATED (NON - HEPA ONLY)	1
818	3290671	PUSH ON TERMINAL	4
819	3190381	STRAIN RELIEF, NON - FLEXIBLE	1
820	3190011	BODY	1
821	9120520	#10-24 X 5/8 TRUSS HEAD PHILLIPS MACHINE SCREW – PACK OF 10	9
822	0891131	PLASTIC STRAIN RELIEF NUT	1

HEPA FILTER RETROFIT ASSEMBLY 3190739



WARNING

THIS MACHINE OPTION IS NOT FOR USE IN ASBESTOS OR HAZARDOUS WASTE REMOVAL



<u>ITEM</u>	<u>PART NO.</u>	<u>DESCRIPTION</u>	<u>QTY</u>
A	3290726	BAG GUARD – PLATED	1
-	9120520	#10-24 X 5/8 TRUSS HEAD PHILLIPS MACHINE SCREW (DISCARD)	4
B	9120530	#10-24 X 7/8 TRUSS HEAD PHILLIPS MACHINE SCREW	4
C	6790351	FOAM FILTERS	2
D	4690101	VAC MOTOR/FLOAT GASKET	2
E	6793111	HEPA FILTER	2
F	3193051	HEPA FILTER MOUNTING BRACKET	2
G	9120370	7/32 I.D. X 1/2 O.D. X .032/.065 THICK SAE FLAT WASHER (#10)	4
H	9120320	#10 SPLIT LOCK WASHER	4
I	3193021	HEPA FILTER LABEL, CLEAR	1

RETROFIT PROCEDURE:

1. Disconnect the machine power cord from the electrical outlet.
2. Open the lid and remove the cloth filter bag, set aside.
3. Remove the 2 screws that hold the bag guard rod (A), discard the rod. Reinstall both of the screws in order to secure the motor mount plate.
4. Remove the foam filters (C), from each motor, and discard the filters.
5. Remove one screw (B) from above and one from below for each vacuum motor, discard the screws. Replace the four screws (B) with the (4) #10-24 x 7/8 Truss head Phillips screws provided in the kit.
6. Remove the protective paper from the gaskets (D), to expose the self-adhesive strip. Center **one** gasket on the face of **each** vacuum motor and press firmly in place.
7. Center the HEPA filter (E) on the gasket and hold in place. Slide the mounting bracket (F) over the filter and align with the screws (B). Secure the bracket with the washer (G) and hex nut (H).
8. Repeat this step for the second vacuum motor.
9. Reinstall the cloth filter bag and close the lid.
10. Apply the HEPA filter label to the lid label between the “NSS” logo and the “PACER 30” logo.

LISTE DES PIÈCES
PACER 30 VACUUM

Translation from Original Instructions
Une Traduction Des Instructions Originales





CONSIGNES DE SÉCURITÉ IMPORTANTES

LIRE ET COMPRENDRE TOUTES LES INSTRUCTIONS
AVANT D'UTILISER OU ENTRETIEN DE LA MACHINE.



AVERTISSEMENT

Non respect de ces instructions peut entraîner un incendie, de brûlure électrique, d'électrocution ou d'opérateur de machine et les tiers.

Lorsque vous utilisez un appareil électrique, des précautions de base devraient toujours être respectées, y compris les suivantes:

- **JAMAIS** essayer de faire fonctionner cette machine, sauf si vous avez été formé dans son fonctionnement.
- **JAMAIS** permettre à une personne non formée à utiliser la machine.
- Utiliser cette machine uniquement comme décrit dans ce manuel.
- Cet aspirateur est conçu pour le ramassage sec seulement. **NE PAS** utiliser sur des surfaces humides ou pour le ramassage humide. **NE PAS** utiliser à l'extérieur. Un choc électrique peut se produire.
- **NE JAMAIS** utiliser la machine avec un endommagé, cassé, coupure, abrasion, ou le cordon ou la fiche est enregistrée.
- **Toujours** brancher la machine sur une prise électrique correctement mise à la terre. Voir les pages suivantes pour les instructions de mise à la terre et le schéma de câblage.
- **NE JAMAIS** laisser la machine sans surveillance lorsqu'il est branché. Débranchez la machine de la prise électrique lorsqu'il ne sert pas fin avant de tenter des réparations ou de l'entretien.
- **TOUJOURS** mettre la machine hors tension avant de le débrancher de la prise électrique.
- **NE JAMAIS** utiliser la machine en présence de liquides inflammables ou combustibles, comme l'essence, les vapeurs ou poussières.
- **NE JAMAIS** tenter de ramasser des liquides inflammables ou combustibles, comme l'essence, les vapeurs ou poussières.
- **Ne jamais** manipuler la machine, cordon ou la fiche avec les mains mouillées.
- **NE JAMAIS** laisser tomber ou insérer un objet dans les ouvertures de la machine.
- **TOUJOURS** garder le visage, les doigts, les cheveux ou toute partie du corps, ou des vêtements amples loin de toute ouverture de la machine ou de la partie mobile; brosse tournante.
- **NE JAMAIS** ramasser tout ce qui brûle ou fume, comme les cigarettes, allumettes ou cendres chaudes.
- **TOUJOURS** utiliser extrême prudence lors du nettoyage des escaliers ou lorsque la machine est placé sur les escaliers.
- **NE JAMAIS** utiliser la machine si elle ne fonctionne pas correctement, si elle a été échappé, endommagé, exposé aux intempéries, ou tombé dans l'eau, la machine au centre de service Retour pour examen et réparation.
- **NE JAMAIS** utiliser la machine avec toute ouverture de l'air bloqué. Gardez toutes les ouvertures d'air exempt de poussière, les peluches, les cheveux et autres.
- **NE JAMAIS** utiliser la machine sans sac à poussière et / ou les filtres en place.
- **NE PAS** tirer ou porter la machine par le cordon d'alimentation électrique, utiliser le cordon comme une poignée, fermer la porte sur le cordon, tirer le cordon autour de coins aigus, exposer à des surfaces chauffées, ou d'objets lourds ou tranchants sur cordon.
- **NE JAMAIS** débrancher la fiche en tirant sur le cordon. Pour débrancher, saisir la fiche, pas le cordon.
- Ne laissez pas d'être utilisé comme un jouet. Une attention particulière est nécessaire lorsqu'il est utilisé par ou à proximité d'enfants.

CONSERVER CES INSTRUCTIONS



AVERTISSEMENT NE PAS TENTER ENTRETIEN OU DE RÉPARATION AVANT DÉBRANCHER CORDON D'ALIMENTATION ÉLECTRIQUE SOURCE. LIRE TOUTES LES INSTRUCTIONS ET SUIVEZ TOUTES LES ILLUSTRATIONS ATTENTIVEMENT.

Suivez la séquence de mise à la terre électrique de l'assemblage comme indiqué à la machine de masse électriquement et assurer la sécurité à l'opérateur.

PANNE DE LE FAIRE PEUT causer une électrocution due à une mauvaise connexion de terrain.

Cordons de remplacement doivent être homologués UL / CSA approuvé et être des caractéristiques électriques identiques que le cordon de l'équipement d'origine.

Vérifiez la plaque signalétique sur la machine pour être sûr que la tension et le cycle indiqué sur la plaque signalétique est la même que la tension et le cycle de la prise électrique. **NE PAS** tenter de brancher une machine de 115 volts dans une prise de 240 volts ou une machine de 240 volts dans une prise de 120 volts.

La lame de mise à la terre sur la fiche doit rester intact si la machine doit être mise à la terre lorsqu'il est branché et exploité. Une machine sans terre peut causer un choc à l'opérateur. Voir Figure A.

Si la connexion à une prise qui accepte seulement deux lames utilisent un adaptateur comme dans la figure B. **NE JAMAIS RETIRER LA LAME DE LA TERRE.**

Lorsque la terre lame sur bouchon est cassé, il est préférable de remplacer l'ensemble du cordon.

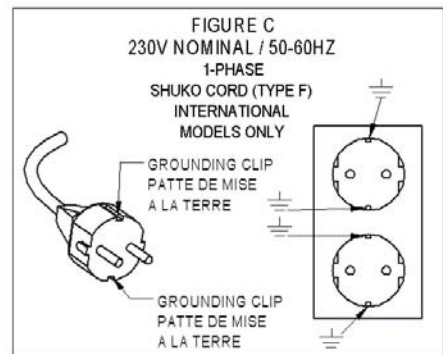
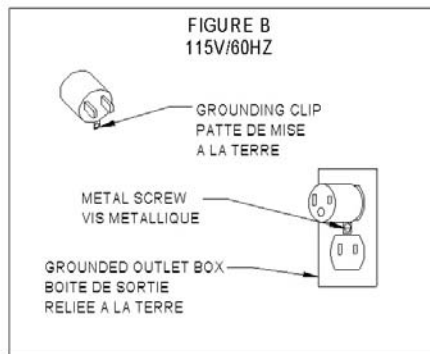
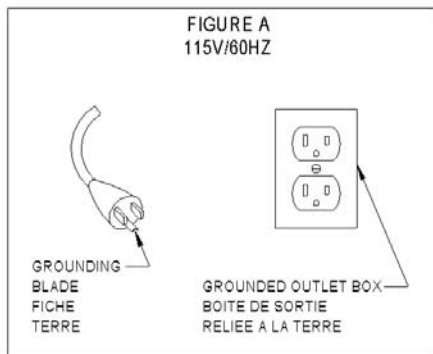
Si vous choisissez de remplacer la bougie 3-conducteurs pour 120 Volt utilisation ne UL / CSA approuvé plug Listed avec l'estimation de 125 Volt 15 ampères (240 volts pour utiliser une fiche à 3 conducteurs avec notes en accord avec la tension et ampères requis). Assurez-vous que le fil vert du cordon est relié à la vis verte, et le fil noir à la vis de l'or de la fiche de remplacement.

ALWAYS remember when replacing plug, that if the grounding wire (green) is connected to a live terminal at the machine or plug, the machine will become electrically charged and will result in electrical shock or electrocution.

Si il est nécessaire d'utiliser l'adaptateur représenté dans la figure B, la machine est seulement la terre correctement si vert Clip de couleur de l'adaptateur est lié en vertu d'une vis en métal qui détient une couverture de prise électrique pour le mur.

Figure C. Machine utilisée sur 240 volts peuvent ou peuvent ne pas avoir la mise à la terre (la terre) prise attachée à la corde. Pour les USA 240 volts, 60 HZ, le bouchon est déjà fourni avec cordon. Pour une utilisation en dehors des USA, il peut être à l'acheteur d'avoir une mise à la terre (la terre) prise jointe.

Toujours utiliser un 3 fils rallonge mise à la terre qui a prises mâles et femelles. Utilisez uniquement 14-3ST ou SO Type rallonge pour une longueur de cordon totale jusqu'à 100 pieds [30,5 m].

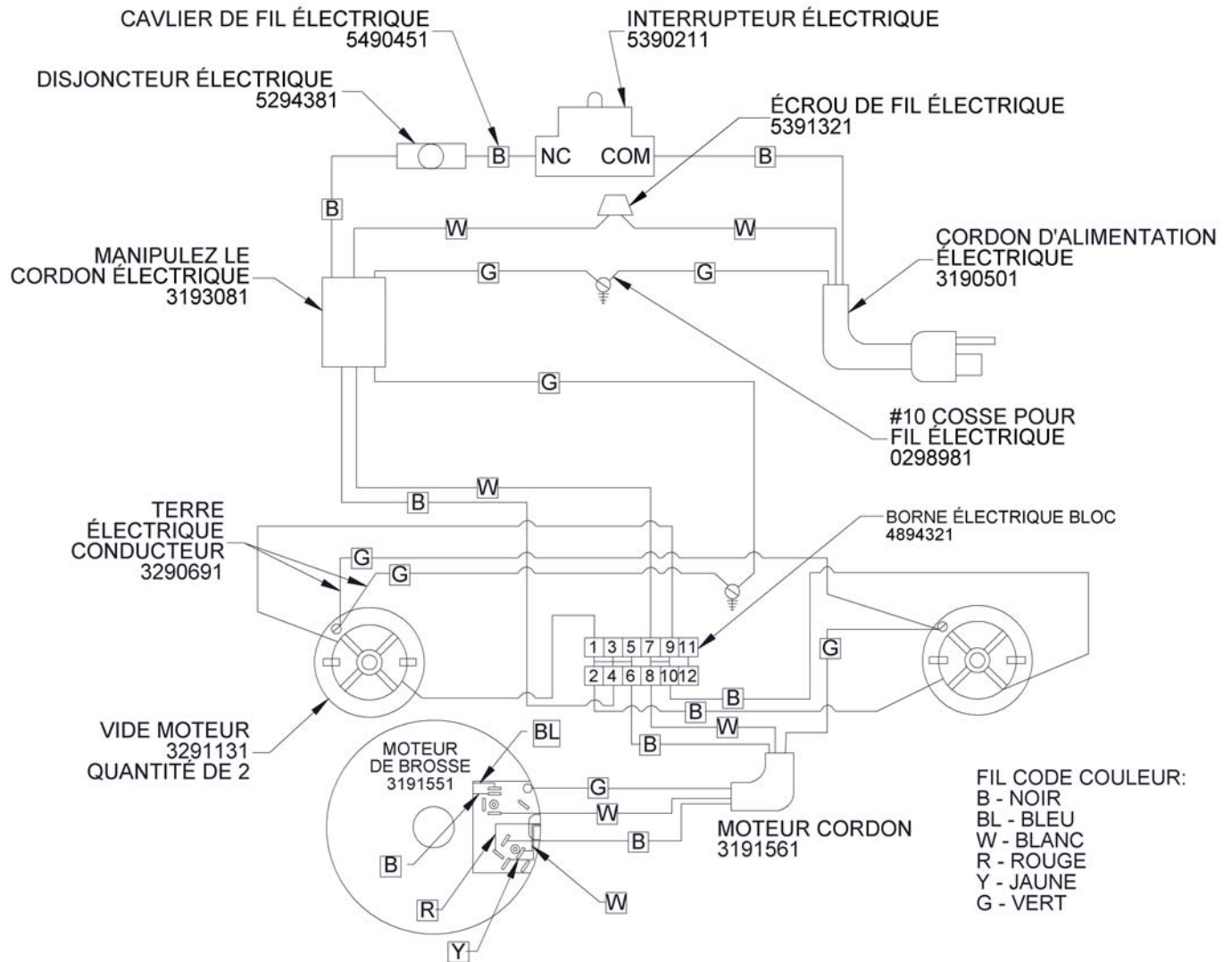


NOTE: IN CANADA, THE USE OF A TEMPORARY ADAPTOR IS NOT PERMITTED BY CANADIAN ELECTRICAL CODE.

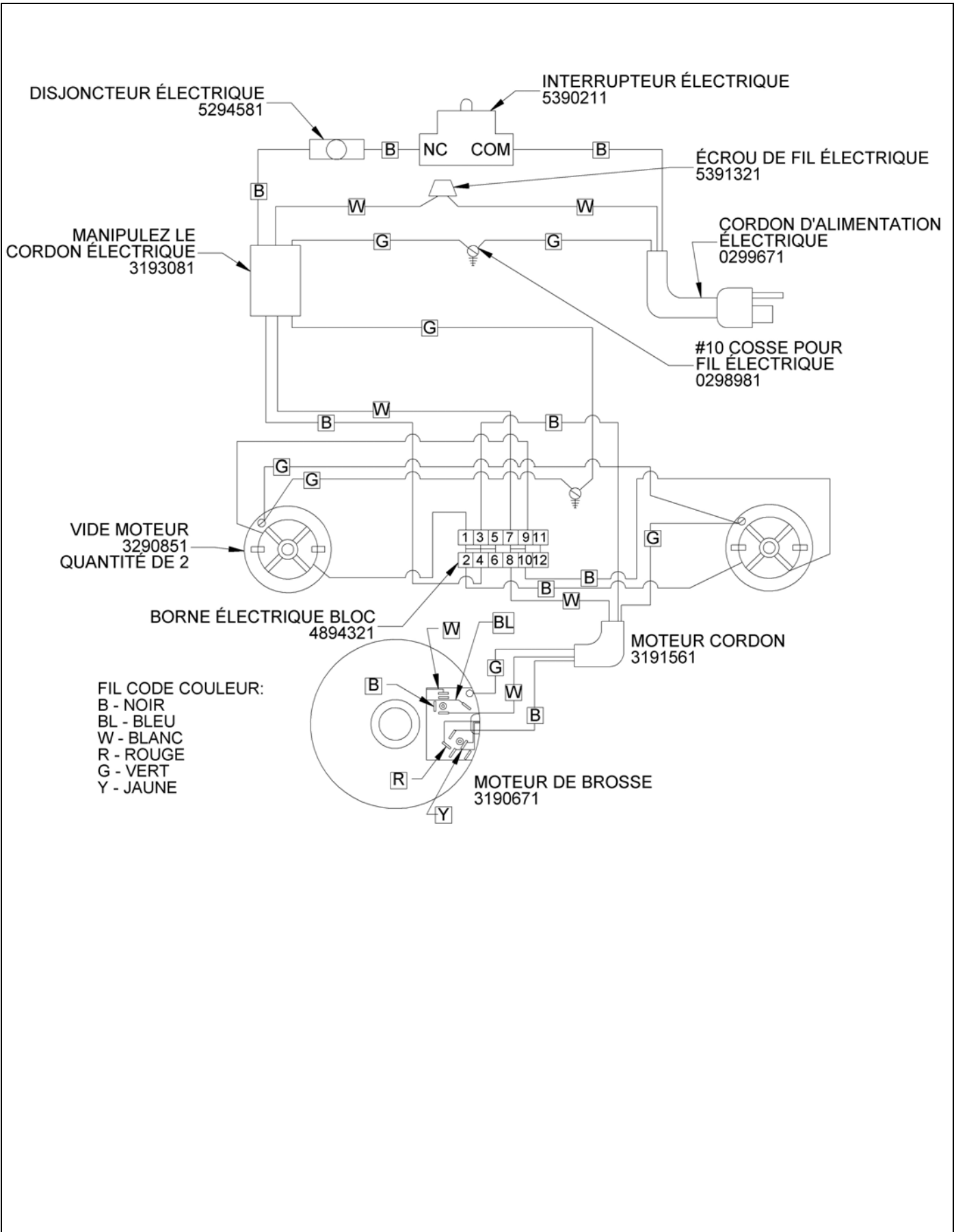
ALL REPAIR SERVICE MUST BE PERFORMED BY AN NSS AUTHORIZED DISTRIBUTOR / SERVICE STATION USING ONLY NSS ORIGINAL EQUIPMENT PARTS.

CONSERVER CES INSTRUCTIONS

SCHEMA DU CIRCUIT ELECTRIQUE 115 VOLT



SCHEMA DU CIRCUIT ELECTRIQUE 220-240 VOLT



**BLANK PAGE
PAGE BLANCHE**



NSS® Enterprises, Inc.

3115 Frenchmens Road

Toledo, Ohio 43607

PHONE (419) 531-2121

FAX (419) 531-3761

mailus@nss.com

www.nss.com