

# PINTO SPOTTER EXTRACTOR

## IMPORTANT SAVE THESE INSTRUCTIONS



READ AND UNDERSTAND ALL INSTRUCTIONS  
BEFORE OPERATING OR SERVICING MACHINE



THIS MACHINE IS INTENDED FOR COMMERCIAL USE ONLY

## DANGER!

Failure to Observe These Instructions Can Cause Fire, Electrical Burn,  
Shock or Electrocutation To Machine Operator or Bystanders.

- When using an electrical appliance, basic precautions should always be followed, including the following:
- **NEVER** attempt to service or perform maintenance functions while machine is plugged into electrical outlet.
- **NEVER** attempt to operate machine unless you have been trained in its operation.
- **NEVER** allow an untrained person to operate this machine.
- Use this machine **ONLY** as described in this manual.
- **NEVER** operate machine with a damaged, broken, cut, abraded, or taped cord or plug.
- **ALWAYS** connect machine to a properly grounded electrical outlet.
- **NEVER** leave machine unattended when plugged in. Unplug machine from electrical outlet when not in use and before attempting repairs or maintenance.
- **ALWAYS** turn machine **OFF** before unplugging from electrical outlet.
- **NEVER** operate machine in the presence of flammable or combustible liquids, such as gasoline, fumes or dusts.
- **NEVER** attempt to pick up flammable or combustible liquids, such as gasoline, fumes or dusts.
- **NEVER** handle machine, cord or plug with wet hands.
- **NEVER** drop or insert any object into any machine opening.
- **ALWAYS** keep face, fingers, hair or any body part, or loose clothing away from any machine opening or moving part.
- **NEVER** pick up anything that is burning or smoking, such as cigarettes, matches or hot ashes.
- **ALWAYS** use extreme care when cleaning on stairs or when machine is placed on stairs.
- **NEVER** operate machine if it is not working properly, if it has been dropped, damaged, exposed to weather, or dropped into water. Return machine to service center for examination and repair.
- **NEVER** operate machine with any air opening blocked. Keep all air openings free of dust, lint, hair and the like.
- **NEVER** operate machine without filter in place.
- **DO NOT** pull or carry machine by electrical supply cord, use cord as a handle, close door on cord, pull cord around sharp edges or corners, expose to heated surfaces, or set heavy or sharp objects on cord.
- **NEVER** disconnect plug by pulling on cord. To disconnect from outlet, grasp the plug, not the cord.
- **DO NOT** allow to be used as a toy. Close attention is necessary when used by or near children.
- **DO NOT** expose to rain—**STORE INDOORS.**

## SAVE THESE INSTRUCTIONS



## Grounding Instructions

This machine must be grounded. If it should malfunction or break down, grounding provides a path of least resistance for electric current to reduce the risk of electric shock. This machine is equipped with a cord having an equipment-grounding conductor and grounding plug. The plug must be plugged into an appropriate outlet that is properly installed and grounded in accordance with all local codes and ordinances.

**FAILURE TO DO SO MAY CAUSE ELECTROCUTION** due to improper connection of ground.

### DANGER

Improper connection of the equipment grounding conductor can result in a risk of electric shock. Check with a qualified electrician or service person if you are in doubt as to whether the outlet is properly grounded. Do not modify the plug provided with the machine - if it will not fit the outlet, have a proper outlet installed by a qualified electrician.

This machine is for use on a nominal 120-volt circuit and has a grounding plug that looks like the plug illustrated in figure A (Figure A.)

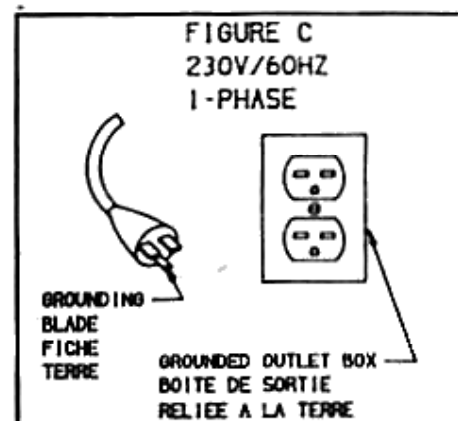
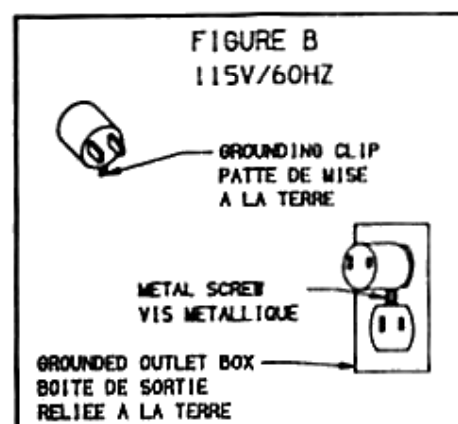
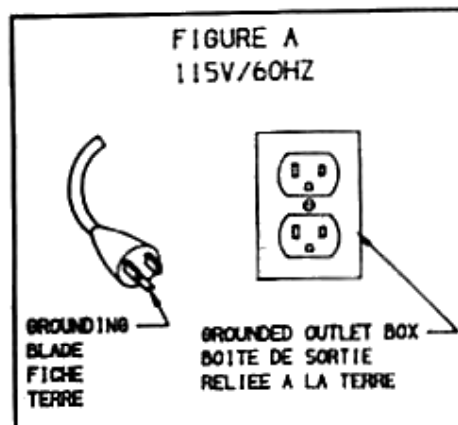
A temporary adapter that looks like the adapter illustrated in Figure B may be used to connect this plug to a 2-pole receptacle as shown below if a properly grounded outlet is not available.

The temporary adapter should be used only until a properly grounded outlet (Figure A) can be installed by a qualified electrician. The green colored rigid ear, lug, grounding clip or the like extending from the adapter must be connected to a permanent ground such as a properly grounded outlet box cover. Whenever the adapter is used, it must be held in place by a METAL screw.

Figure C Machine used on 230-volt may or may not have the grounding (earthed) plug attached to the cord. For U.S.A. 230-volt, 60HZ, the plug is already supplied with cord. For use outside the U.S.A., it may be up to the purchaser to have a proper grounding (earthed) plug attached.

Always use a properly grounded 3-wire extension cord which has male and female plugs. Use only 14-3 SJTWA type extension cords to a maximum length of 150 feet.

Check nameplate on machine to be sure voltage and cycle stated on nameplate is the same as voltage and cycle of electrical outlet. DO NOT attempt to plug a 115 volt machine into a 230 volt outlet or a 230 volt machine into a 115 volt outlet.

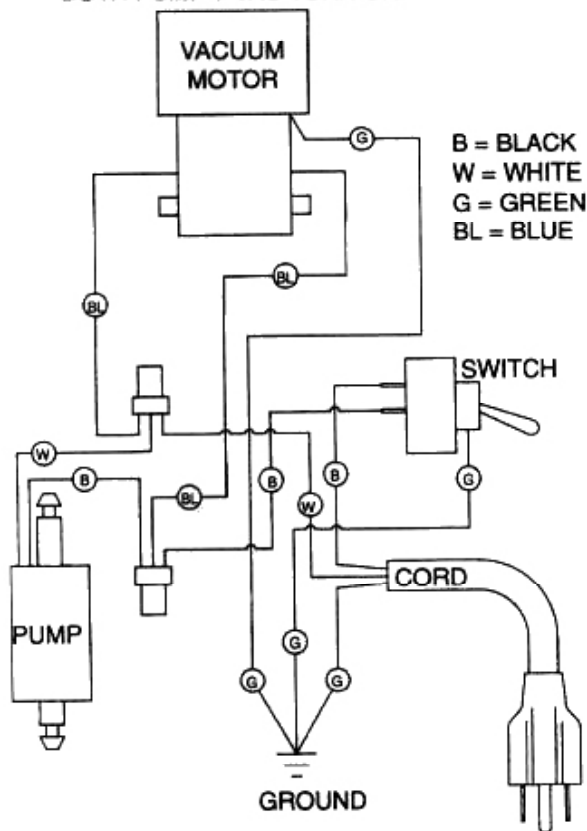


Note: IN CANADA, THE USE OF A TEMPORARY ADAPTER IS NOT PERMITTED BY CANADIAN ELECTRICAL CODE

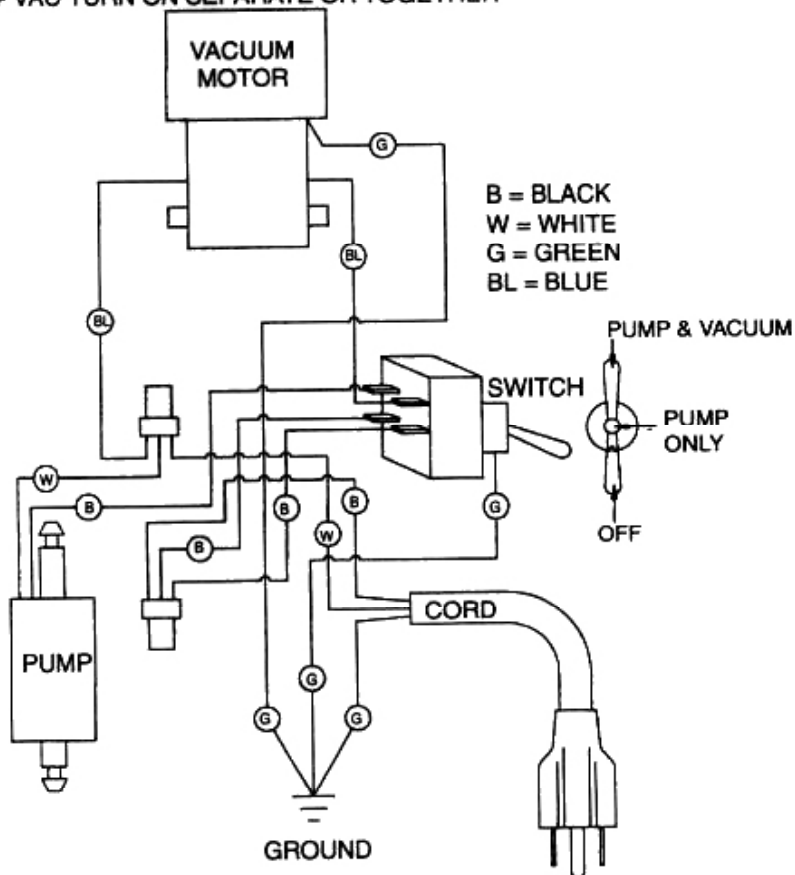
NOTE. Au Canada, l'utilisation d'un adaptateur temporaire n'est pas autorisée par le Code canadien de l'électricité.

# WIRE DIAGRAM

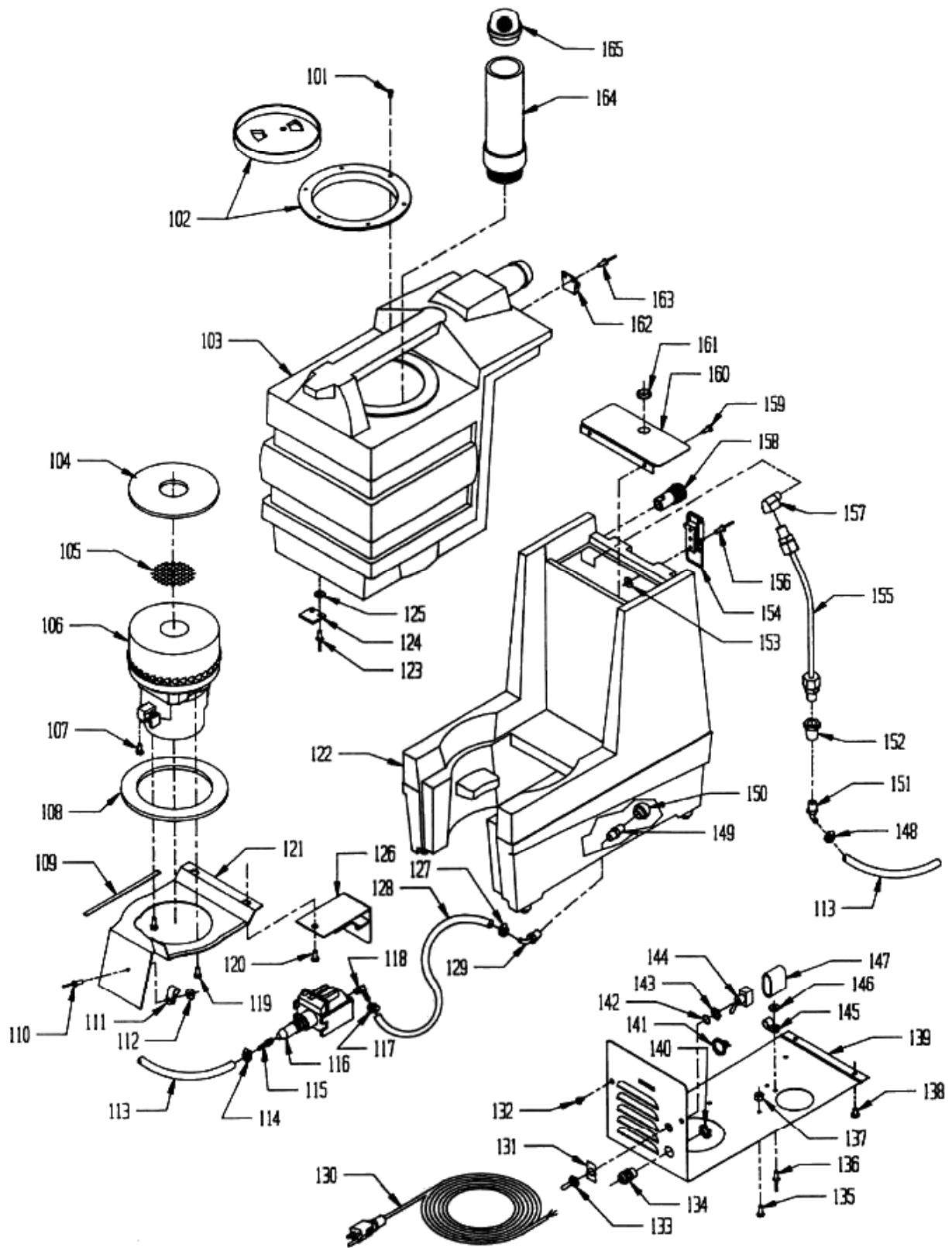
BOTH PUMP + VAC TURN ON



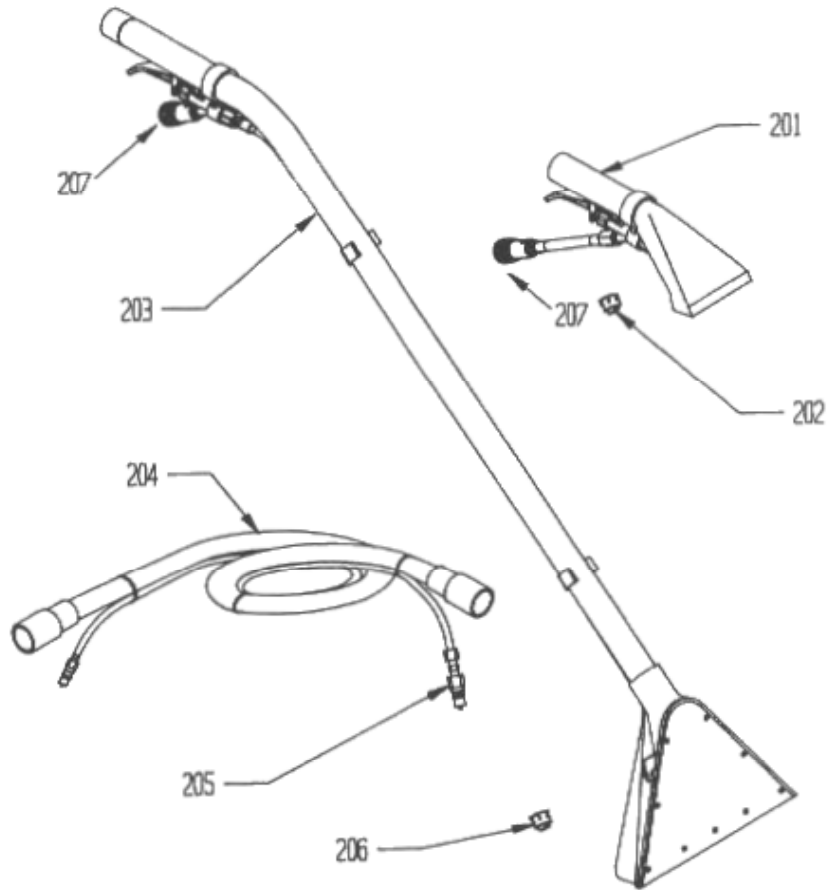
PUMP + VAC TURN ON SEPARATE OR TOGETHER



<u>ITEM NO.</u>	<u>PART NO.</u>	<u>DISCRIPTION</u>	<u>QTY.</u>
101	-----	#6x1/2 FLAT HD. SHEET METAL SCREW	6
102	48-9-820-1	ACCESS COVER 4" LID CLEAR CENTER	1
103	48-9-821-1	RECOVERY TANK SPOTTER	1
104	48-9-822-1	VACUUM GASKET 4.75" DIA. 3/16" THICK	1
105	48-9-823-1	VACUUM GUARD SCREEN	1
106	48-9-824-1	VACUUM MOTOR 120V	1
	67-9-046-1	CARBON BRUSH 120V	2
	48-9-825-1	VACUUM MOTOR 240V	1
	67-9-047-1	CARBON BRUSH 240V	2
107	-----	#10 x 1/2 HEX HD SELF DRILL SCREW	1
108	48-9-826-1	VAC MOUNTING GASKET	1
109	48-9-827-1	EXTRUDED RUBBER TRIM	2
110	48-9-828-1	RIVET ALUMINUM 3/16 x 1/2 CLOSED	1
111	48-9-829-1	WIRE RETAINER CLAMP	1
112	48-9-830-1	WASHER #10 S/S	1
113	48-9-831-1	1/4" BRAIDED NYLON HOSE 21" LONG	1
114	48-9-837-1	HOSE CLAMP	1
115	48-9-856-1	HOSE BARB 1/8 MALE X 1/4 BARB	1
116	48-9-841-1	PUMP OSCILLATING 120V	1
	48-9-842-1	PUMP OSCILLATING 240V	1
117	48-9-837-1	HOSE CLAMP	1
118	48-9-857-1	HOSE BARB 90DEG. 1/4" BARB 1/8" MT	1
119	-----	#10 x 1/2 HEX HD SELF DRILL SCREW	2
120	-----	#10 - 32 x 1/2 PAN HD SCREW S/S	2
121	48-9-835-1	VACUUM PLATE	1
122	48-9-834-1	SOLUTION TANK SPOTTER	1
123	48-9-828-1	RIVET ALUMINUM 3/16 x 1/2 CLOSED	2
124	48-9-833-1	SPOTTER PLATE LATCH	1
125	48-9-830-1	WASHER #10 S/S (INSIDE TANK)	1
126	48-9-836-1	PUMP MOUNT BRACKET	1
127	48-9-837-1	HOSE CLAMP	1
128	48-9-838-1	1/4" BRAIDED NYLON HOSE 5" LONG	1
129	48-9-839-1	90DEG. NYLON HOSE BARB	1
130	48-9-832-1	CORD 16/3 120V 15 FEET LONG	1
	02-9-439-1	CORD 240V	
131	02-9-184-1	TOGGLE SWITCH PLATE ON/OFF	1
132	-----	#8 - 32 x 1/4 PAN HD SCREW S/S	2
133	06-9-314-1	TOGGLE SWITCH BOOT	1
134	48-9-843-1	STRAIN RELIEF PLASTIC	1
135	-----	#10 - 24 x 1/2 PAN HD SCREW	1
136	48-9-828-1	RIVET ALUMINUM 3/16 x 1/2 CLOSED	1
137	-----	#10 - 24 ESNA NUT	1
138	-----	#10 - 32 x 3/8 PAN HD SCREW S/S	2
139	48-9-844-1	ACCESS PANEL SPOTTER	1
140	53-9-026-1	STRAIN RELIEF NUT	1
141	27-9-267-1	PLASTIC WIRE TIE	9
142	06-9-185-1	WASHER, LOCK	1
143	07-9-882-1	SWITCH NUT	1
144	48-9-840-1	TOGGLE SWITCH ON/OFF	1
	48-9-819-1	TOGGLE SWITCH 3 WAY	1
145	48-9-829-1	WIRE RETAINER CLAMP	1
146	48-9-830-1	WASHER #10 S/S	1
147	48-9-845-1	TOGGLE SWITCH GUARD	1
148	48-9-837-1	HOSE CLAMP	1
149	38-9-194-1	1/4 x 1/4 HEX NIPPLE	1
150	48-9-846-1	SOLUTION STRAINER	1
151	48-9-839-1	90 DEG. NYLON HOSE BARB	1
152	48-9-847-1	REDUCING BUSHING 3/8 x 1/4 NYLON	1
153	48-9-830-1	WASHER #10 S/S	2
154	48-9-850-1	TOGGLE LATCH	1
155	48-9-848-1	ASSEMBLY-HOSE & FITTINGS	1
156	48-9-828-1	RIVET ALUMINUM 3/16 x 1/2 CLOSED	1
157	48-9-849-1	90DEG. 1/8M x 1/4 F/M BRASS	1
158	35-9-057-1	QUICK CONNECT FEMALE	1
159	-----	#12-1/2 SELF TAP SCREW S/S	2
160	48-9-852-1	SOLUTION COVER	1
161	48-9-853-1	RUBBER GROMMET	1
162	48-9-850-1	TOGGLE LATCH	1
163	48-9-828-1	RIVET ALUMINUM 3/16 x 1/2 CLOSED	2
164	48-9-854-1	ABS ADAPTOR 1 1/2" & PIPE	1
165	48-9-855-1	SUCTION PIPE STRAINER	1



## HOSE & TOOLS



<u>ITEM NO.</u>	<u>PART NO.</u>	<u>DESCRIPTION</u>	<u>QTY.</u>
201	48-9-807-1	UPHOLSTERY TOOL	1
202	48-9-808-1	REPLACEMENT SPRAY TIP, UPH TOOL	1
203	48-9-802-1	SINGLE JET WAND, COMPLETE	1
204	48-9-806-1	VAC & WATER HOSE ASSEMBLY	1
205	35-9-075-1	QUICK CONNECT MALE	2
206	48-9-809-1	REPLACEMENT SPRAY TIP, WAND	1
207	35-9-051-1	QUICK CONNECT FEMALE	1
not shown	48-9-801-1	CART, PINTO	1
not shown	48-9-805-1	VAC HOSE ONLY	1
not shown	48-9-804-1	WATER HOSE ONLY	1
not shown	48-9-810-1	REPAACEMENT VALVE ONLY	1

# COMMON STAINS AND CLEANING TREATMENTS

## TREATMENT METHODS

First: Remove excess material by blotting to absorb liquids or by scraping with a dull edge (butter knife).

Second: Clean the remaining stain as directed by the chart. Always follow directions on the container. Apply cleaning material directly to stain (avoid overwetting the carpet or upholstery), then remove the loosened stain material with a white absorbent cloth or tissue.

Third: When the carpet is dry, gently brush the carpet pile to restore appearance.

NOTE: Treat unknown stains with a volatile solvent first and follow with other agents as required. If you are uncertain of the effect of the cleaning agent on the carpet fiber or dye, test first on an inconspicuous area.

<u>Stain Type</u>	<u>Treatment Material</u>
Asphalt	Volatile solvent/detergent
Beer	Liquid detergent, White vinegar
Berry stain	Liquid detergent, Ammonia 3-6%, Water
Bleach	Liquid detergent, Water
Blood (dried)	Warm detergent, Ammonia 3-6%, Water
Blood (wet)	Liquid detergent, Water
Butter	Volatile solvent
Catsup or Mustard	Liquid detergent
Chewing gum	Volatile solvent
Chocolate	Liquid detergent, Ammonia water
Coffee	Detergent, White vinegar, Volatile solvent
Cola drink	Liquid detergent
Creme de Menthe (green)	Liquid detergent
Egg (raw)	Liquid detergent
Food dye	Liquid detergent, Water
Furniture dye or polish	Paint/Oil/Grease remover, Detergent
Gravy	Liquid detergent
Lipstick	Paint/Oil/Grease remover
Mascara	Paint remover, Volatile solvent, Detergent, Water
Milk	Liquid detergent
Orange drink	Liquid detergent, Water
Shoe polish	Heated iron into clean towel, Volatile solvent
Tea	Liquid detergent
Tomato juice	Liquid detergent
Urine	Liquid detergent, Water
Vomit	Warm detergent, Water, White vinegar
Wine	Liquid detergent, Ammonia 3-6%, Water, Vinegar



**THE NATIONAL SUPER SERVICE COMPANY**

3115 FRENCHMENS ROAD, TOLEDO, OHIO 43607-2958

PHONE (419) 531-2121 • FAX (419) 531-3761

Pinto Spotter Extractor 9094871 Rev B 07/98