

Powr-Flite[®]

COMMERCIAL FLOOR CARE EQUIPMENT

Parts List

Model P1500-3
1500 RPM
Burnisher

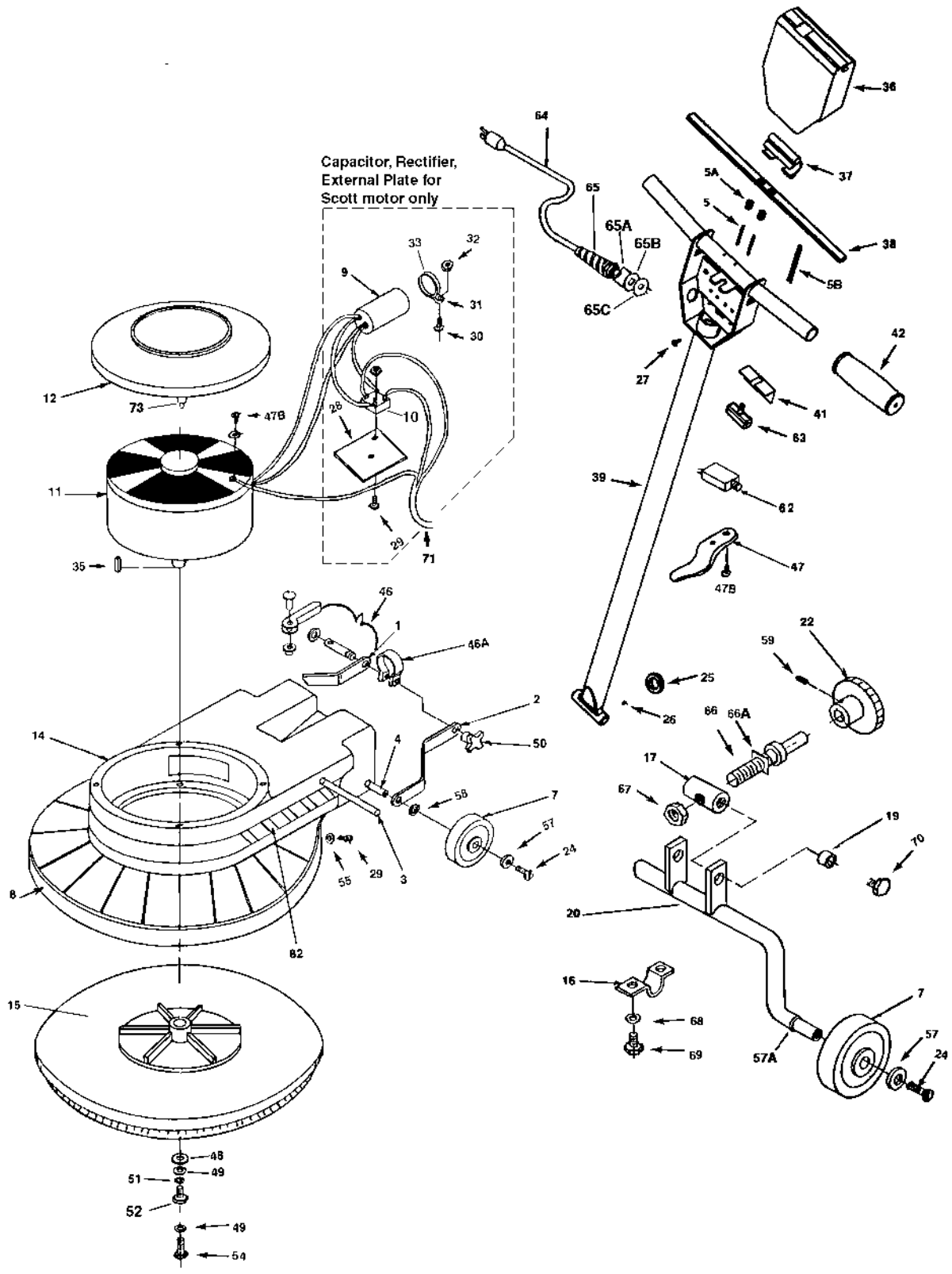


Powr-Flite[®]
COMMERCIAL FLOOR CARE EQUIPMENT

A Tacony Company
Fort Worth, Texas 76140

U.S. Patent Number 4,845,798
U.S. Patent Number 4,756,042
U.S. Patent Number 296,252

Model P1500-3



ref#	order	description
1	X8017R	right brace
2	X8017L	left brace
3	X8018	pivot shaft
4	X8019	11-5/8" axle
5	X8918	handle roller pin (2 req.)
5A	X8916	trigger tension spring (2 req.)
5B	X8915	handle trigger thumb actuation spring
7	X8025	4" wheel
8	X8030	46" bumper
9	X8033	1200 UF capacitor
	X8955	start capacitor 380 UF 125V
	X8956	run capacitor 60 UF 370V
10	X8034	rectifier, 35 amp, for machines with Scott Motors
	X8034-2	rectifier, 50 amp, for machines with Imperial Motors
11	X8909	1.5 hp gear motor assembly
12	X8042	motor cover
14	X8051	base housing
15	X8080	drive block with drive plate
16	X8081	wheel axle bracket
17	X8082	pivot block
19	X8084	bushing
20	X8085	wheel axle weldment
22	X8087	knob
24	X8210	wheel screw
25	7BG004	7/16" dia. grommet
26	X8222	1/4-20 x 3/16" set screw
27	X8207	#10-24 screw (3)
	7CY001	lock washer (3)
28	X8023B	heat sink for rectifier
29	X8208	10-24x5/8" phillips head machine screw
30	X8202	mount bolt
31	X8150M	mount for capacitor strap
32	X8203	8/32 mount nut
33	X8150	capacitor cable tie
35	X8047	motor key
36	X8912	switch box cover
37	X8914	thumb actuation release
38	X8917	handle trigger
39	X8911	1-1/2" dia. handle tube weldment
40	X8005	handle tube
41	X8923	insulation sheet
42	X8941	handle grip 1" inside dia.
46A	X8012	handle clamp collar
46	X8012A	handle clamp assembly
47	X8013	cord hook
47B	X8207	10/24"x1/2" type F machine screw (2 req.)

ref#	order	description
48	X8230	3/8" SAE wrought washer
49	X8219	3/8" SAE flat washer (4)
50	X8016	knob
51	X8217	5/16" spring lock washer
52	X8215	15/16" - 18x3/4" hex cap bolt
54	X8227	5/16"-18x1-1/4" HHCS (4)
55	X8225	3/16" cut washer
57	X8020	axle washer
57A	X8224	spacing washer (2)
58	X8101	spring washer (2)
59	X8205	10/32"x3/8" socket set screw
62	X8023A	17 amp circuit breaker
63	F5P	switch, 25 AMP
64	M1400	14/3 SJTW-A 75' power cord, yellow
	M1400S	14/3 SJTW-A 75' yellow cord assembly with metal strain relief and flag receptical
65	SR37	strain relief
65A	SR37A	brass sleeve, strain relief
65B	X8228	11/16" I.D., flat washer
65C	X8100	counter nut
66	X8083	adjusting screw
66A	X8221-1	screw stop
67	X8221	1/2"x13" hex nut
68	X8212	1/4" spring lock washer (4)
69	X8209	1/4"-20x1/2" hex end cap screw (4)
70	X8215	5/16"-18x3/4" hex head bolt (2)
73	X8105	spacer, motor cover (4 req.)

NOT ILLUSTRATED

	X8022	cord assembly (handle)
	X8036K	fastener packages Imperial motor
	X8048	carbon brush and spring (Scott motor)
	X8048-1	negator spring for X8048
	X8512	carbon brush (Imperial motor)
	X8213	nut for X8210-1
	X8222	1/4"-2x3/4" socket set screw for X8011 handle
	F50P	power grab pad holder
	F51P	snap in top ring for F50P
	X8049	brush holder
	X8150	capacitor strap
	X8180	6205 bearing
	X8108	wheel spacer
	X8220	long, switch housing screw
	X8210-1	short, switch housing screw and nut

*Call for part number and pricing.

*** X8036, NLA-Order X8036-1 and X8036K if replacing Scott motor**



A Tacony Company
Fort Worth, Texas 76140