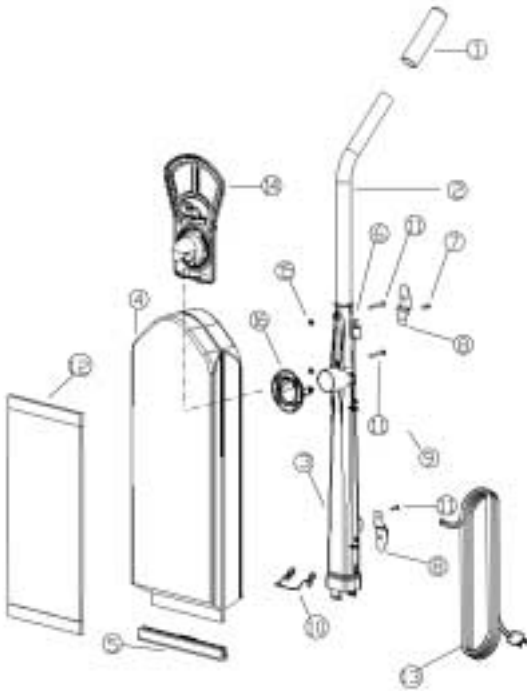


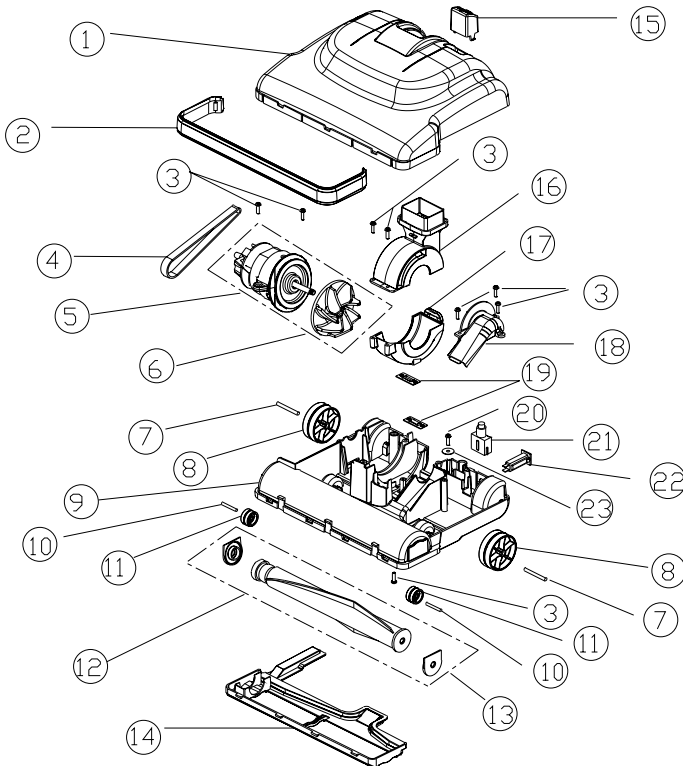
HANDLE ASSEMBLY



ref#	order	description
1	B431-2314	Handle Grip
2	B431-2406B	Handle Tube Metal
3	B431-2714	Handle Lower-duct
4	G661	Cloth Bag EC models PF60
	G660	Cloth Bag VC models PF60
	G662	Cloth Bag VC models PF61
	G663	Cloth Bag EC models PF61
5	B211-1014	Lower Bag Clip
6	B431-2914	Handle Tube Bracket
7	A732-8305	Screws (#8-18 x 5/8)
8	B430-0905	Cord Hook
9	B211-0904	Bag Collar Clip
10	B211-1204	Lower Bag Spring
11	A432-0705	Screw Phillip (#8-18 x 1)
12	260PB	Paper Bag 6pk
13	A434-1213	Power Cord 35'
	A434-1113	Power Cord 50'
14	B211-2114	Bag nozzle
15	A432-0805	Handle screws
16	B211-2214	Outer bag clip

* call for pricing and availability

NOZZLE ASSEMBLY



ref#	order	description
1	B017-2140	Nozzle Housing
2	B029-0314	Furniture Guard
3	A732-8305	Screws (#8-18 x 5/8)
4	L60A	Belt
5	C113-0800	Motor Assembly
6	B123-3000	Motor Fan
7	B010-0101	Large Wheel Axle
8	B010-1314	Rear Wheel
9	C016-1014	Base Tray
10	B010-0001	Base Plate Wheel Axle
11	B010-0614	Base Plate Wheel
12	B012-2800	Wood Agitator w/End Caps
13	B012-2914	End Caps
14	B015-2014	Base Plate Cover
15	B028-0014	Foot On/Off Pedal
16	B123-3114	Upper Fan Housing
17	B123-3214	Lower Fan Housing
18	C123-0700	Fan Duct Cover
19	B016-1004	Upright Stops
20	A732-2500	Combination Screw (m4 x 12)
21	A028-0014	On/Off Switch
22	A028-0114	Circuit Breaker
23	B017-2114	Strain Relief Washer Power