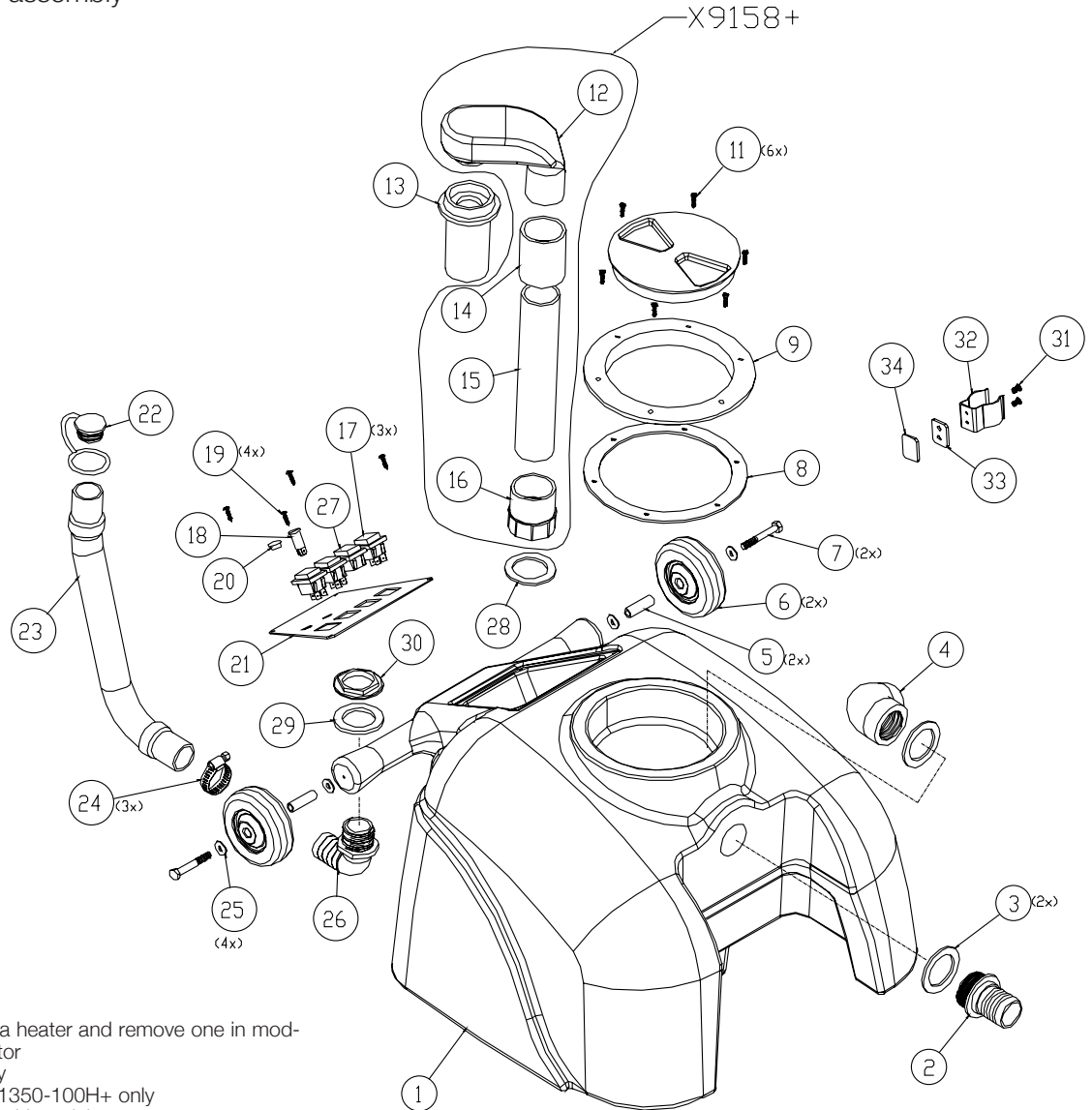


## MODEL PFX1380 SERIES CARPET EXTRACTOR PARTS

PFX1380 recovery tank assembly



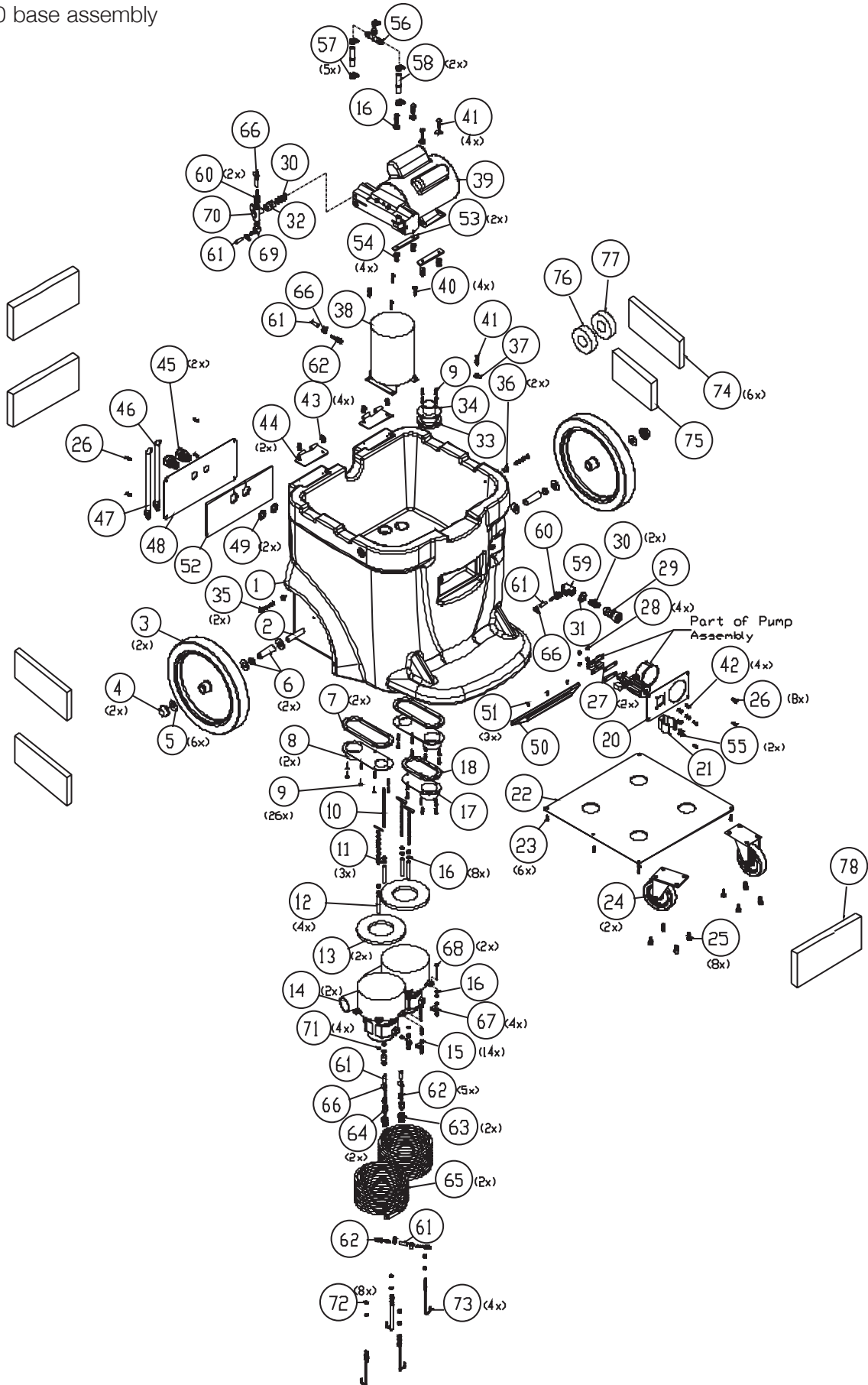
- \* remove on in models without a heater and remove one in models with only one vacuum motor
- \*\* For models with a heater only
- \*\*\* For PFX1350-CN+ and PFX1350-100H+ only
- \*\*\*\*For PFX1350-100H+ and 230V models

ref#	order#	description
1	<b>X9113</b>	Housing, Recovery Tank
	<b>X9113G</b>	Housing, Recovery Tank, Gray
	<b>X9113H</b>	Housing, Recovery Tank, Heavy 230V models
2	<b>PX25tic,</b>	Bulkhead, 1-1/2" NPT x 1-1/2" Hose Barb
3	<b>PX25</b>	Dump Valve Gasket, 1-1/2" Thin,
4	<b>72486A</b>	Spacer, 1.625 Long, .50 OD, .313 ID
5	<b>72486A</b>	Spacer, 1.625 Long, .50 OD, .313 ID
6	<b>X8025</b>	Wheel, Black, 4" x 1-1/4"
7	<b>72645A</b>	Bolt, 5/16 -18 x 2 - 1/ 4, Hex
8	<b>PX103G</b>	Gasket, Lid, 8" OD x 6-5/8 ID, x 1/8" Thick
9	<b>PX103</b>	Lid, Screw-in, 6" Clear, w/ Black ring
10	<b>72656A</b>	Hose, 1-1/2 Wire-Reinforced, Black
11	<b>X8295</b>	Screw, #8 x 3/ 4, Phil Flat TS, Type A Black Zinc
12	<b>PX33</b>	Vacuum Tube
13	<b>PX31</b>	Float Cage w/ Heavy Ball
14	<b>72615A</b>	Coupling, PVC, 1-1/2 Slip x Slip
15	<b>X9154</b>	Pipe, PVC, Schedule 40, 1-1/2, 9.5" Long
16	<b>Px63</b>	Coupling, Plastic, 1-1/2" Slip x 1-1/2FTP
17*	<b>PX87</b>	Rocker Switch, DPST, 20A, w/ Protective Cover
18**	<b>X8102</b>	Neon Light w/ Lens, Orange - For Heater Units only
19	<b>72387A</b>	Screw, #8 x 5/8", black, Tap, phil pan
20**	<b>PX86</b>	Indicator Light, Green, 250V - For Heater units only
	****	<b>71804A</b> Plug, 1/ 2" Black Nylon - For PFX1350 - 100H+ only
21	<b>X9152</b>	Switch Panel without Heater
	**	<b>X9130</b> Switch Panel with Heater - For heater Units only
22	<b>PAS36</b>	Plug, Drain Hose

			2 (2x)
23	<b>PAS37</b>	Drain Hose	
24	<b>7DL005</b>	Clamp, 1-1/2" Worm Gear SS, Hex Slot, Size 20	
25	<b>X8235</b>	Washer, 1/ 4 Flat USS Zinc	
26	<b>7GR016</b>	Elbow, 1-1/4H - 1-1/4M, nylon	
27***	<b>X9173</b>	Switch Hole Plug - For PFX1350-100H+ and PFX1350-CN+	
28	<b>PX14</b>	Dump Valve Gasket, 1-1/2", 2.50 x 1.75 Rubber	
29	<b>X9164</b>	Gasket, 1-1/4" Fitting	
30	<b>X9165</b>	Nut, Lock, 1-1/4"	
31	<b>7BH004</b>	Screw, 10-32x3/8" Phil Pan MS, 18-8 SS	
32	<b>72713A</b>	Spring Clip, Black Vinyl Coated	
33	<b>72170A</b>	Nut Plate, Clip	
34	<b>72175A</b>	Gasket, Nut Plate	

# MODEL PFX1380 SERIES CARPET EXTRACTOR PARTS

PFX1380 base assembly



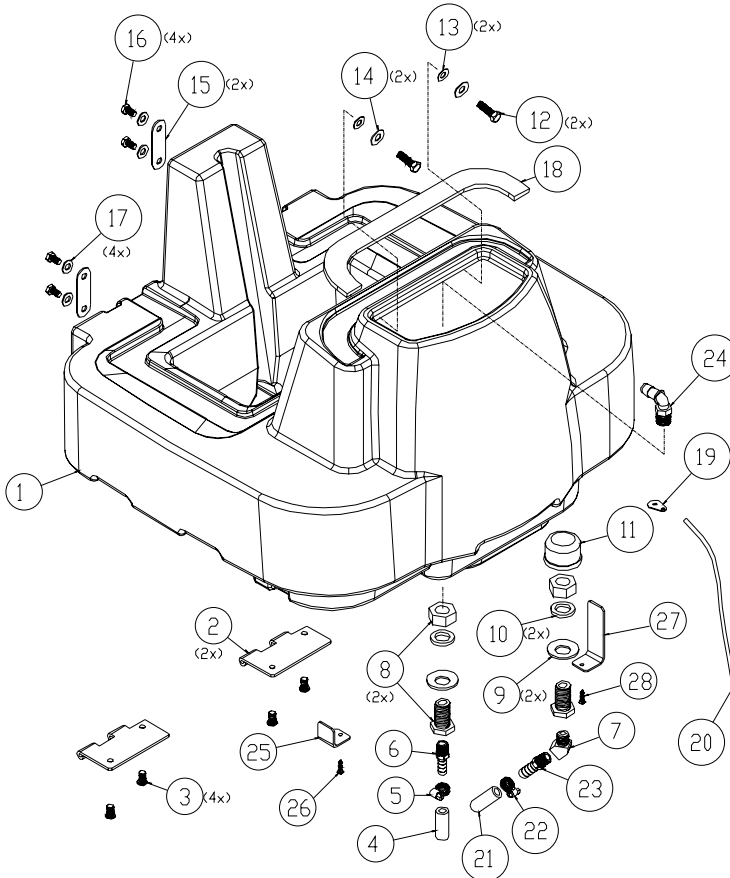
## MODEL PFX1380 SERIES CARPET EXTRACTOR PARTS

### PFX1380 base assembly

ref#	order#	description
1	<b>72620AB</b>	housing, base, black
2	<b>72633A</b>	axle
3	<b>X9066</b>	wheel, 12" x 1.75" non-marking,
	<b>PX106B</b>	wheel, 12" w/ 3/4" bore, all black
4	<b>7GL002</b>	push nut
5	<b>7CM007</b>	washer, 1/2 uss flat, 18-8 ss
6	<b>72634A</b>	bushing, 1/2" id x 3/4" od x 2-1/4" long
	<b>72635A</b>	spacer, 1/2" id x 3/4" od x 1/4" long
7	<b>72640A</b>	gasket, vac manifold, long
8	<b>72623A</b>	cover, vacuum manifold, long
9	<b>7CW002</b>	screw, #6 x 3/4 phil pan ts, type a 18-8 ss
10	<b>72000A</b>	rod, 3/16 x 5-1/2, all thread stud, 18-8 ss
11	<b>72657A</b>	screw, 10-24 x 4" long, hex head
	<b>72658A</b>	screw, 10-24 x 5" long, hex head
12	<b>72651A</b>	spacer, vac motor, 2.375" long
13	<b>70020B</b>	gasket, vacuum motor seal
14	<b>1942-IE</b>	vacuum motor, 115 vac, 104 cfm, 2 stage
	<b>72365A</b>	vacuum motor, 3 stage, 120v
15	<b>7BF003</b>	nut, kep, #10-24 zinc
16	<b>7CM003</b>	washer, #10 uss flat, 18-8 ss
17	<b>72624A</b>	cover, vacuum manifold, short
18	<b>72641A</b>	gasket, vac manifold, short
19	<b>PX117A</b>	gauge, 0-300 psi, 2-1/2", abs
	<b>PC38</b>	connector, double thread
20	<b>72638A</b>	pressure regulator plate
	<b>X9157</b>	cover, pressure regulator plate
21	<b>72173A</b>	spring clip, black vinyl coated
22	<b>72636A</b>	cover plate, bottom
23	<b>72388A</b>	screw, #10 x 5/8, tap phil, ss pan head
24	<b>PX65</b>	caster, 4" black

ref#	order#	description
25	<b>72490A</b>	screw, 5/16-18 x 5/8, cap screw w/ hex socket
26	<b>72387A</b>	screw, #8 x 5/8, black, tap phil, pan head
27	<b>72639A</b>	gasket, mounting pressure regulator
28	<b>X8256</b>	nut, 8-32 keps, zinc
29	<b>70063B</b>	coupler, valved 1/4, quick disconnect
30	<b>7CX002</b>	nipple, hex 1/4 mpt
31	<b>72115A</b>	washer, 5/8 x 1-3/16, bonded seal, galvanized
32	<b>PC38</b>	connector, double thread, female
33	<b>72642A</b>	gasket, vac manifold, circle
34	<b>72625A</b>	cover, vacuum manifold, circle
35	<b>72627A</b>	gasket, pump mounting
36	<b>72626A</b>	pump mounting plate
37	<b>X9069</b>	end loop, ss, w/ 2 holes, 16g
38	<b>PF1750</b>	heater unit, 1750 watts
	<b>PF1200</b>	heater, 1200w for low flow
	<b>PF2000</b>	heater, 2 1000 watt element (split)
39	<b>PT400</b>	pump, 200 psi w/regulator, 115v
	<b>SF814</b>	pump, 100 psi w/by-pass, epdm valves
	<b>PT400-KIT3</b>	pump assembly, 400 psi w/ hoses
40	<b>X9022</b>	heater mounting bracket
41	<b>X8236</b>	screw, 10-24 x 1-1/4", phil pan ms, zinc
42	<b>72020A</b>	screw, #12 x 1", self-tap, phms zinc
43	<b>7BS003</b>	screw, 1/4-20 x 1/2, phil, pan, ms 18-8 ss
44	<b>X9014</b>	hinge
45	<b>PD8</b>	strain relief, 1/2" npt
46	<b>PX112</b>	pigtail, black, 12/3 sjt x 39" long
47	<b>PR112R</b>	pigtail, red, 12/3 sjt x 39" long
48	<b>X9131</b>	cord panel
49	<b>X8008N</b>	nut, lock, 1/2" steel conduit
50	<b>7BS002</b>	screw, 8-32 x 1/2 phil, pan ms, 18-8 ss

### PFX1380 solution tank assembly



ref#	order#	description
1	<b>X9912</b>	Housing, Solution Tank
	<b>X9912G</b>	Housing, Solution Tank, Gray <i>For PFX1350B series models only</i>
2	<b>X9014</b>	Hinge
3	<b>7BS003</b>	Screw, 1/4-20x1/2" Phil Pan MS 18-8 SS
4	<b>72031A</b>	Hose, 3/8" Wire Reinforced PVC <i>Use PX3H+ (20.5" L) for 100 psi pump</i>
5	<b>7DL003</b>	Clamp, 1/4" Worm Gear Stainless Hex Slot phil <i>Use 2 for 200 psi pump</i>
6	<b>PX85</b>	Fitting, 1/4" MNPT x 3/8" Hose Male/Male Barb <i>Use two for 200 psi pump / Use 7AT004 for 400 psi pump</i>
7	<b>PX17</b>	Street Elbow, 45 deg. Brass, 1/4" NPT
8	<b>PX18</b>	Fitting, Brass, Bulkhead, 3/4" <i>Use only 1 for 100 psi pump</i>
9	<b>72274A</b>	Washer, 3/4" Neoprene-Bond, Galvanized <i>Use only 1 for 100 psi pump</i>
10	<b>PX48G</b>	Gasket, Fiber, 1.125 OD x .75 ID x .15625THK <i>Use only 1 for 100 psi pump</i>
11	<b>X9294</b>	Pump Protection Filter, SLS » FNPT 30x30 SST
12	<b>71480AP</b>	Bolt, 5/16-18 x 3/4" Hex, 18-8 SS
13	<b>72667A</b>	Washer, Rubber, .29ID, .688OD, .093Th
14	<b>X9171</b>	Washer, Flat 5/16 SS, .688OD, .344ID, .062Th
15	<b>X9140</b>	Tie Down Plate
16	<b>7CP002</b>	Bolt, 5/16-18x1/2" Hex Tap, 18-8 SS
17	<b>X8235</b>	Washer, 1/4" Flat USS Zinc
18	<b>X9149</b>	Gasket, Foam Strip, 1 x 14.25
19	<b>X9069</b>	End Loop, SS w/ 2 Holes, 16G
20	<b>72660A</b>	Rope, 22" Long
21	<b>70079C</b>	Hose, 1/2" Wire Reinforced <i>For 400 psi pump only; use 72031A for 200 psi pump</i>
22	<b>7DL008</b>	Clamp, 1/2" Worm Gear Stainless Hex Slot Phil <i>For 400 psi pump only</i>
23	<b>7AT004</b>	Barb, 1/2" Hose x 1/4" male <i>For 400 psi pump only</i>
24	<b>PX15A</b>	Fitting, Nylon Elbow, 90°, 1/4" NPT x 3/8" Hose barb
25	<b>X9155</b>	Latch, Bracket, Long
26	<b>71644A</b>	Screw #10 x 1" Phil Pan
27	<b>X9156</b>	Latch, Bracket, Short
28	<b>71644A</b>	Screw #10 x 1" Phil Pan