

Self-Contained Carpet Extractor

OPERATORS MANUAL AND PARTS LIST

Model PFX900S

OPERATING INSTRUCTIONS

COMMERCIAL AND HOUSEHOLD
SELF CONTAINED EXTRACTOR

CONGRATULATIONS

YOU HAVE JUST ACQUIRED A HIGH QUALITY SELF CONTAINED EXTRACTOR. PLEASE READ THIS MANUAL CAREFULLY, BEFORE OPERATING YOUR NEW SELF CONTAINED EXTRACTOR. KEEP MANUAL ON HAND FOR FURTHER REFERENCES.



READ ALL INSTRUCTIONS BEFORE USING!

Congratulations on purchasing a Powr-Flite self-contained extractor. Given proper care, this product will afford you many years of trouble-free operation. All parts have passed rigid quality control standards before being assembled to produce the finished product.

Prior to packaging, the extractor is again inspected for assurance of flawless assembly. This unit is protectively packed to prevent damage in shipment. We recommend removal and inspection of unit upon delivery for possible damage in transit. Only a visual examination will reveal damage that may have occurred.

If damage is discovered, immediately notify the transportation company that delivered your extractor. As a shipper, we are unable to report claims for concealed damage. You must originate any claim within 5 days of delivery.

This manual is for your protection and information. **PLEASE READ CAREFULLY** since failure to follow precautions could result in discomfort or injury. When using electrical equipment, basic safety precautions should always be followed.

TABLE OF CONTENTS

INTRODUCTION	2
SAFETY PRECAUTIONS (English)	3
GROUNDING INSTRUCTIONS	4
SAFETY PRECAUTIONS (Spanish) (French)	5
GENERAL INSTRUCTIONS	6,7
Machine Components	6
Machine Operation	6
Pre-operation Checks	6
Cleaning Procedure (accessories)	7
Storage	7
Routine Care & Maintenance	7
ILLUSTRATED PARTS LIST	8-11
MAINTENANCE GUIDE	12

CARE OF THIS SELF-CONTAINED EXTRACTOR

Treat this unit as you would any other high grade precision made product. Dropping, unreasonable bumping across thresholds and other misuses may result in a damaged unit which will not be covered by warranty. When not in use, power cord should be wrapped around handle for storage.

Read this manual completely before operating this extractor. It is important to follow instructions in this manual to prevent the possibility of injury or damage to the user and/or machine.

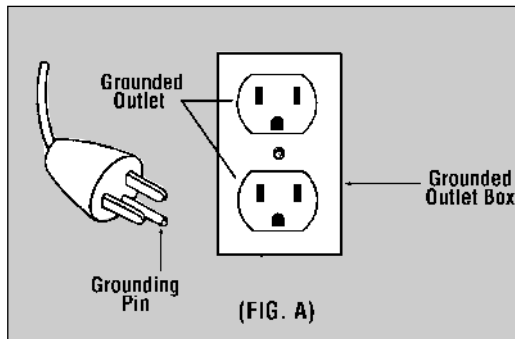
GROUNDING INSTRUCTIONS

DANGER: Improper use of the grounding plug can result in a risk of electric shock.

GROUNDING INSTRUCTIONS

This extractor must be properly grounded. If it should malfunction or breakdown, grounding provides a path of least resistance for electrical current to reduce the risk of electric shock. This machine is equipped with 1 or 2 pigtail cords having an equipment-grounding conductor and grounding plug. The pigtails must be inserted into an appropriate 12 gauge 3 prong extension cord.

GROUNDING METHODS



This unit is for use on a nominal 120 volt circuit and has a grounded plug that looks like the plug illustrated in (Fig. A).

WARNING!

Improper connection of the equipment-grounding conductor can result in a risk of electric shock. Check with a qualified electrician or service person if you are in doubt as to whether the outlet is properly grounded. DO NOT modify the plug provided with the appliance. If it will not fit the outlet, have a proper outlet installed by a qualified electrician.

NOTE: In Canada, the use of a temporary adapter is not permitted by the Canadian Electrical Code.

IMPORTANT SAFETY PRECAUTIONS

WARNING!: To reduce the risk of fire, electric shock, or injury

WARNING

To avoid fire, DO NOT use with a flammable or combustible liquid to clean floor.



WARNING

To avoid electric shock, DO NOT expose to rain. Store Indoors.

When using this self contained extractor, basic precautions should always be followed, including the following:

- 1) DO NOT leave unit when plugged in. Unplug from outlet when not in use and before servicing.
- 2) DO NOT allow unit to be used as a toy. Close attention is necessary when used around or near children.
- 3) Use only as described in this manual. Use only manufacturer's recommended attachments.
- 4) DO NOT use with damaged cord or plug. If unit is not working properly because it has been dropped, dropped into water, left outdoors, or damaged in any way, contact a service center of Powr-Flite®.
- 5) DO NOT pull or carry by cord, use cord as a handle, close door on cord, or pull cord around sharp edges or corners. DO NOT run unit over cord. Keep cord away from heated surfaces.
- 6) DO NOT unplug by pulling on cord. To unplug, grasp the plug, not the cord.
- 7) DO NOT handle plug or appliance with wet hands.
- 8) DO NOT put any objects into openings. DO NOT use with any opening blocked: keep free of dust, lint, hair, or anything that may reduce air flow.
- 9) Keep hair, loose clothing, fingers, and all parts of body away from openings and moving parts.
- 10) DO NOT pick up anything that is smoking or burning such as cigarettes, matches, or hot ashes.
- 11) DO NOT use to pick up hazardous chemicals.
- 12) Turn off all controls before unplugging.
- 13) Turn unit off immediately if foam or liquid comes from machine exhaust. Empty and clean out recovery (dirty) tank and use defoamer to correct the problem.
- 14) DO NOT use to pick up flammable or combustible liquids such as gasoline or use in areas where they may be present.
- 15) DO NOT use where oxygen or anesthetics are used.
- 16) Extension cord must be a three-wire type, 14 gauge or larger, to ensure grounding protection.
- 17) Replace damaged or worn parts immediately with genuine original equipment parts to maintain safety.
- 18) This unit must be connected to a properly grounded outlet only. See grounding instruction.

MEDIDAS DE SEGURIDAD

PELIGRO!: Para reducir el riesgo de incendio, descarga eléctrica o daño:

NO SE esponga a la lluvia a guarde bajo techo. Una sacudida eléctrica puede suceder si se usa en superficies húmedas.



NO utilice la unidad para levantar líquidos inflamables o combustibles como gasolina.

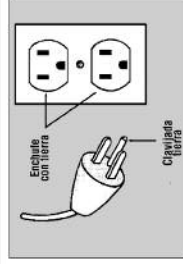
PARA SU SEGURIDAD

- 1) **NO DEJE** la aspiradora enchufada. Desconéctela cuando no la use y antes de darle servicio.
- 2) **NO PERMITE** que se use como juguete. Ponga atención cuando se use cerca de niños.
- 3) **USE SE SOLAMENTE** de acuerdo a las instrucciones y con accesorios recomendados por el fabricante.
- 4) **NO USE** con el cable o clavija dañados. Si la unidad ha sido golpeada, mojada, o dañada en algún modo llame al centro de servicio o Power-Fix[.].
- 5) **NO JALE** o carque el cable, no machuque el cable o lo estire sobre objetos filosos. **NO USE** la unidad sobre el cable.
- 6) **NO DESENCHUFE** jalando el cable. Para hacerlo jale de la clavija no del cable.
- 7) **NO TOME** la clavija o el aparato con las manos mojadas.
- 8) **NO TAPE** objetos en las ventillas. **NO USE** si alguna está tapada. Mantenga limpia de polvo, pelusa o cualquier obstrucción.
- 9) Mantenga el pelo, ropa suelta manos y partes del cuerpo lejos de las aberturas y partes móviles.
- 10) **NUNCA** aspire objetos que mandose o humeando como cigarrillos, cerillos o cenizas calificados.
- 11) No use unidad a recoje materiales peligrosas.
- 12) Apague todos los controles antes de desconectar.
- 13) Paga las unidad inmediatamente si hay espuma o líquidos saliendo da bajo de la unidad. Si esto para limpia el tanqué y también usa un chermico de espuma.
- 14) **NO UTILIZE** la unidad para levantar líquidos inflamables o combustibles como gasolina; o use en areas donde se encuentren estos líquidos.
- 15) Reemplacen los partes gastadas o dañadas inmediatamente para mantener la seguridad.
- 16) Esta unidad debe ser conectada a un enchufe correctamente aterrazado solamente. Lea los instrucciones de tierra. Si su aspiradora/soplador tiene un enchufe para una boquilla de potencia, apague la siempre antes de conectar o desconectar la goquilla.
- 17) **NO USE** donde oxígeno o anestésicos sean empleados.
- 18) **NO USE** extensión eléctrica mas que cuando sea absolutamente necesario. Si usa extensión, el cable debe de ser calibre #14 o mayor y no debe exceder 50 pies de longitud. El cable extensión debe ser de 3 polos para asegurar protección de tierra.

INSTRUCCIONES DE TIERRA

¡PELIGRO!

Una conexión incorrecta de tierra puede resultar en una descarga eléctrica. Consulte con un electricista calificado o persona de servicio si tiene duda acerca del enchufe y su tierra. No modifique el enchufe de las unidad. Si no encaja en el enchufe, haga instalar un enchufe apropiado por un electricista calificado.



IMPORTANTES MEDIDAS DE SEGURIDAD

AVERTISSEMENT!: Pour réduire les risques d'incendie, de choc électrique ou de blessure:

NE PAS aspirer de matières humides. Ne pas exposer à l'intérieur.



NE PAS utiliser l'appareil avec des liquides inflammables en aspirant afin d'éviter du feu.

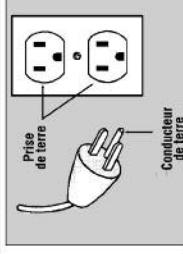
POUR VOTRE SÉCURITÉ

- 1) **NE PAS** laisser l'appareil sans surveillance lorsqu'il est branché. Débrancher lorsque l'appareil n'est pas utilisé et avant l'entretien.
- 2) **NE PAS** permettre aux enfants de jouer avec l'appareil. Une attention particulière est nécessaire lorsque l'appareil est utilisé par des enfants ou à proximité de ces derniers.
- 3) N'utiliser que conformément à cette notice avec les accessoires recommandés par le fabricant.
- 4) **NE PAS** utiliser si le cordon ou la fiche est endommagé. Retourner l'appareil à un atelier de réparation si il ne fonctionne pas bien, s'il est tombé ou s'il a été endommagé, oublié à l'extérieur ou immergé.
- 5) **NE PAS** tirer, soulever ou trainer l'appareil par le cordon. **NE PAS** utiliser le cordon comme une poignée, le coincer dans l'embrasure d'une porte ou l'appuyer contre des arêtes vives ou des coins. **NE PAS** faire rouler l'appareil sur le cordon. Garder le cordon à l'écarte des surfaces chaudes.
- 6) **NE PAS** débrancher en tirant sur le cordon. Tirer plutôt la fiche.
- 7) **NE PAS** toucher la fiche ou l'appareil lorsque vos mains sont humides.
- 8) **NE PAS** utiliser des rallonges ou des prises qui n'ont pas de capacité suffisante pour transporter le courant.
- 9) **NE PAS** utiliser où l'oxygène ou les gazes sont utilisés.
- 10) **N'INSÉRER** aucun objet dans les ouvertures. **NE PAS** utiliser l'appareil lorsqu'une ouverture est bloquée. S'assurer que de la poussière, de la peluche, des cheveux ou d'autres matières ne réduisent pas le débit d'air.
- 11) Maintenir les cheveux, les vêtements amples, le doigts et toutes les parties du corps à l'écart des ouvertures et des pièces mobiles.
- 12) **NE PAS** aspirer de matières en combustion ou qui dégagent de la fumée, comme des cigarettes, des allumettes ou des cendres chaudes.
- 13) **NE PAS** utiliser l'aspirateur pour soulever les produits chimiques dangereux.
- 14) Mettre toutes les commandes à la position ARRÊT avant de débrancher l'appareil.
- 15) Couper le courant immédiatement si le liquide de nettoyage sort de l'appareil. Videz et nettoyez le réservoir interrim et admettez le liquide de nulle écume.
- 16) **NE PAS** aspirer des liquides inflammables ou combustibles, comme de l'essence, et ne pas faire fonctionner dans des endroits où peuvent se trouver de tels liquides.
- 17) Replacéz taré parties vite à maintenir sécurité.
- 18) Ne brancher qu'à une prise de courant avec mise à la terre. Voir les instructions visant la mise à la terre.

INSTRUCCIONES VISANT LA MISE À LA TERRE

AVERTISSEMENT!

Un conducteur de terre mal raccordé peut entraîner un risque de choc électrique. Consulter un électricien ou un technicien d'entretien qualifié si vous n'êtes pas certain que la prise soit correctement mise à lat terre. Ne pas modifier la fiche fournie avec l'appareil-se elle ne peut être insérée dans la prise, faire installer une prise adéquate par un electricien qualifié.



GENERAL INSTRUCTIONS

PRE-OPERATION INSTRUCTIONS for PFX900S

NOTE: (color fastness) Before using carpet cleaning chemicals, test on an inconspicuous part of the carpet for color fastness. Place the solution on a small piece of clean white material or tissue, then rub the carpet vigorously. Excessive amounts of dye showing on the material would indicate that the colors are not fast, and should not be wet cleaned.

- 1) Fill the solution tank with 9 gallons of warm water.
WARNING: DO NOT overfill.
- 2) Measure carpet cleaning solution per manufacturer's recommended ratio into the clean water tank. **DO NOT** use the waste tank to fill the solution tank as debris could damage the pump or block the jet. **WARNING: DO NOT** exceed 150° (65° C)
- 3) Add defoamer solution per manufacturer's instructions as needed.



OPERATION OF SELF-CONTAINED CARPET CLEANER

- 1) Plug main power cable into outlet.
WARNING: This machine must be properly grounded.
- 2) Press the Vac switch to the ON position. Then press the pump switch ON and the brush switch to the ON position.
- 3) Lower carpet brush. Push brush lowering pedal forward to lower brush. Push down and back to raise brush.
- 4) Press and hold the solution switch to apply the cleaning solution. Pull the machine backwards at the same time to clean the carpet. Stop the solution spray about 12" (30cm) before the end so all of the solution is vacuumed up. Slightly overlap the next cleaning pass to prevent streaking. A two (2) wet pass maximum is recommended to avoid over-wetting. After a few passes, check the waste tank to see that no foam is present. Add extra defoamer if necessary.
- 5) Make sure to empty the recovery (top) tank when it is approximately 3/4 full. Do not refill the solution tank without emptying all the contents of the recovery tank first.



GENERAL INSTRUCTIONS

STORAGE

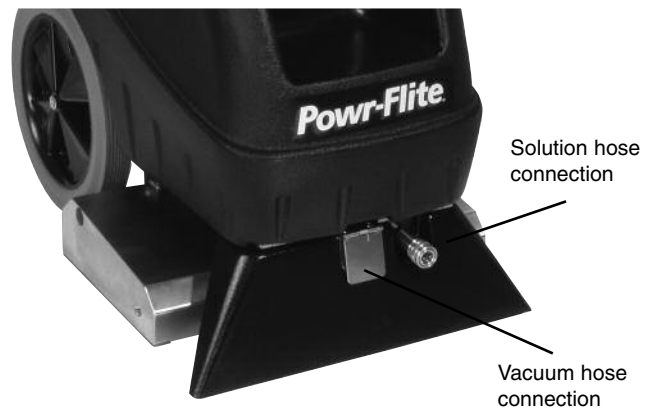
WHEN CLEANING IS FINISHED:

- 1) Connect the drain solution hose (gray hose with brass connector) to the solution fitting at the front of the machine and place the other end at drain. Turn on the PUMP switch. This will pump the remaining solution into the waste tank for easy drainage.
- 2) To disconnect the solution hose, push in on the ring of the solution filling. Switch off the machine, remove power plug from the socket, and empty the waste tank. Leave waste tank open when storing.
- 3) Leave brush raised for storage.



ACCESSORIES / TOOLS (OPTIONAL)

For upholstery cleaning and inaccessible areas. Attach recovery hose to recovery hose position of vacuum shoe. Connect the accessory solution hose to the solution fitting at the front of the machine by pushing back the locking ring to fit. Turn on vacuum and pump.



ROUTINE MAINTENANCE INSTRUCTIONS

DAILY / INTERVAL

- 1) Check the spray jet for blockage and a uniform spray pattern. Remove jet and blow through to clean. Do not use a pin as this may cause damage to the jet.
- 2) Check and remove any debris or lint build-up from the vacuum head, brush, and brush housing.
- 3) Always wash out the tanks with clean water after use. To do this, pour clean water into the solution tank and spray through spray tip to clear chemical residue from the pump, lines, and spray tip. Allow the vacuum to run for a few minutes after use to aid the machine in drying out and to help prevent bacteria and odors.

WEEKLY

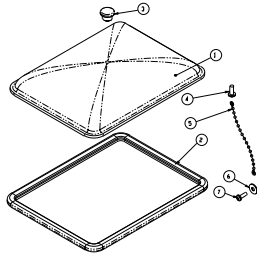
- 1) Inspect hoses (unseen blockages sometimes occur), hose cuffs, and the rubber seal on the recovery tank lid. The main cable, plug, and switches should also be examined for damage.

NOTE: It is advisable to store the unit with the recovery tank lid removed.

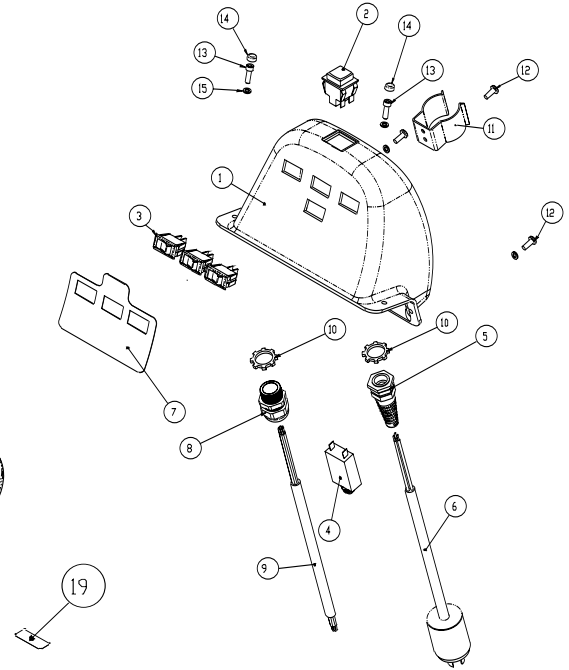
CAUTION: THIS UNIT MUST BE PROTECTED FROM FREEZING. Damage from freezing could cause machine to malfunction.

SELF-CONTAINED EXTRACTOR PFX900S PARTS

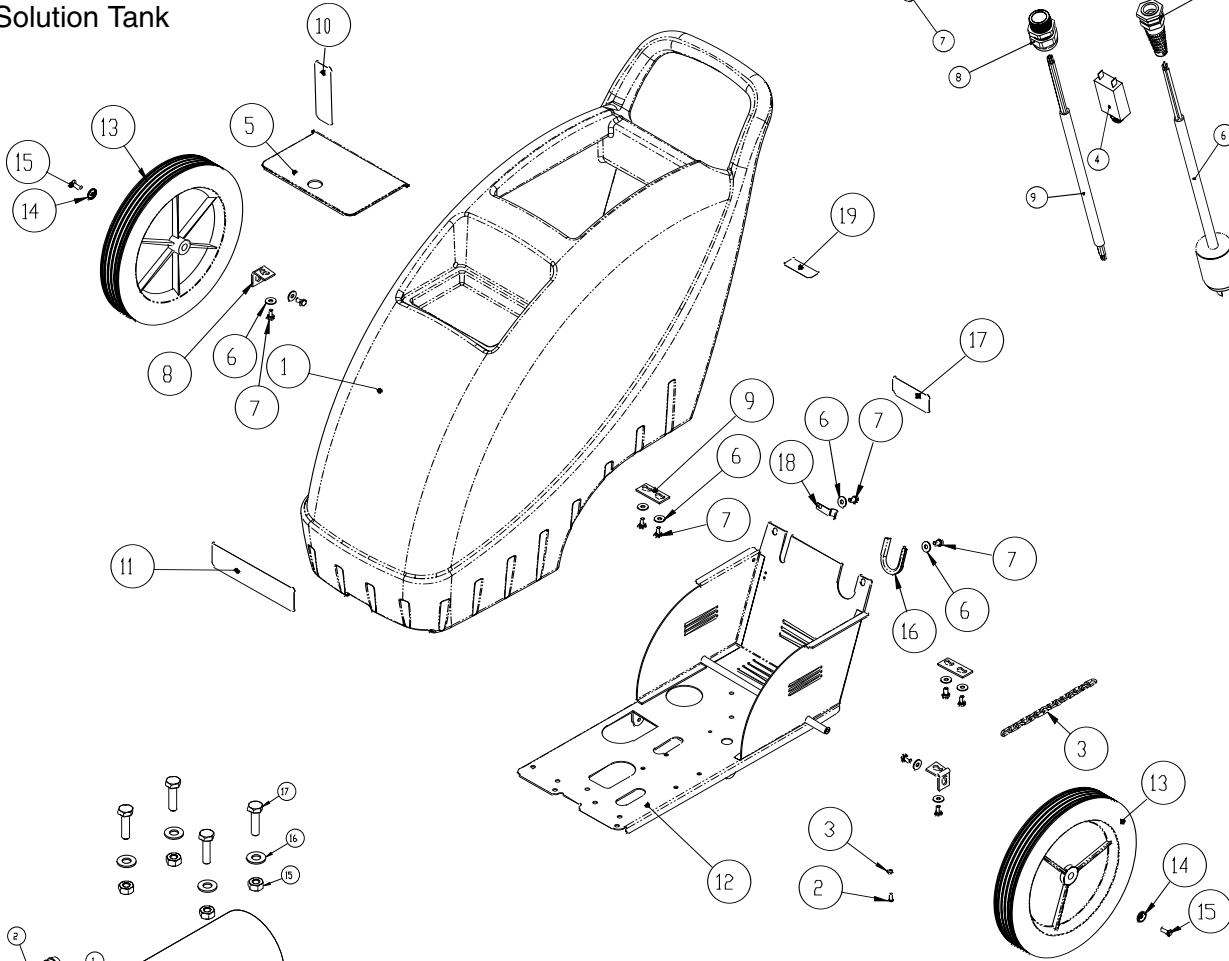
Recovery Dome



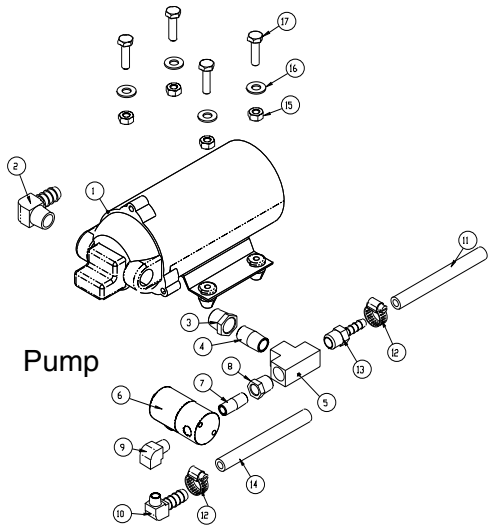
Control Panel



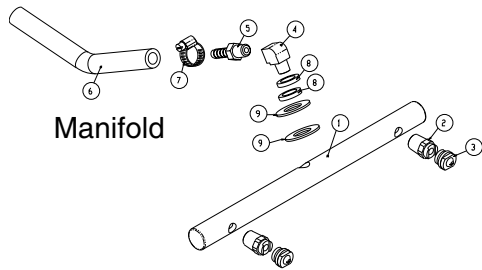
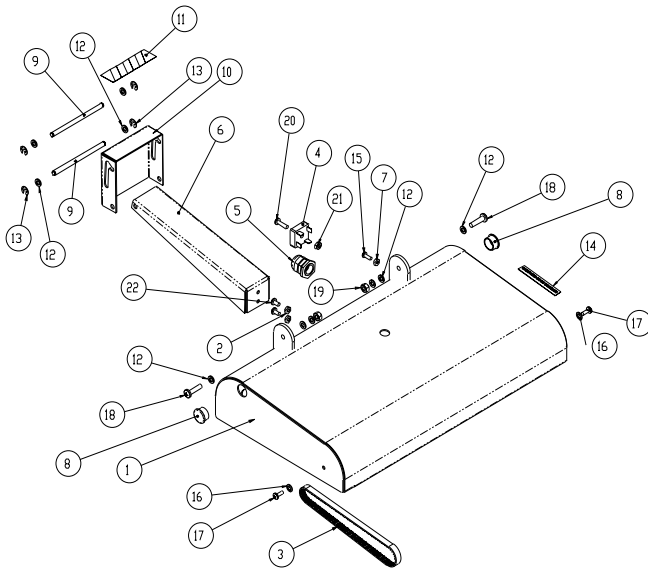
Solution Tank



Pump

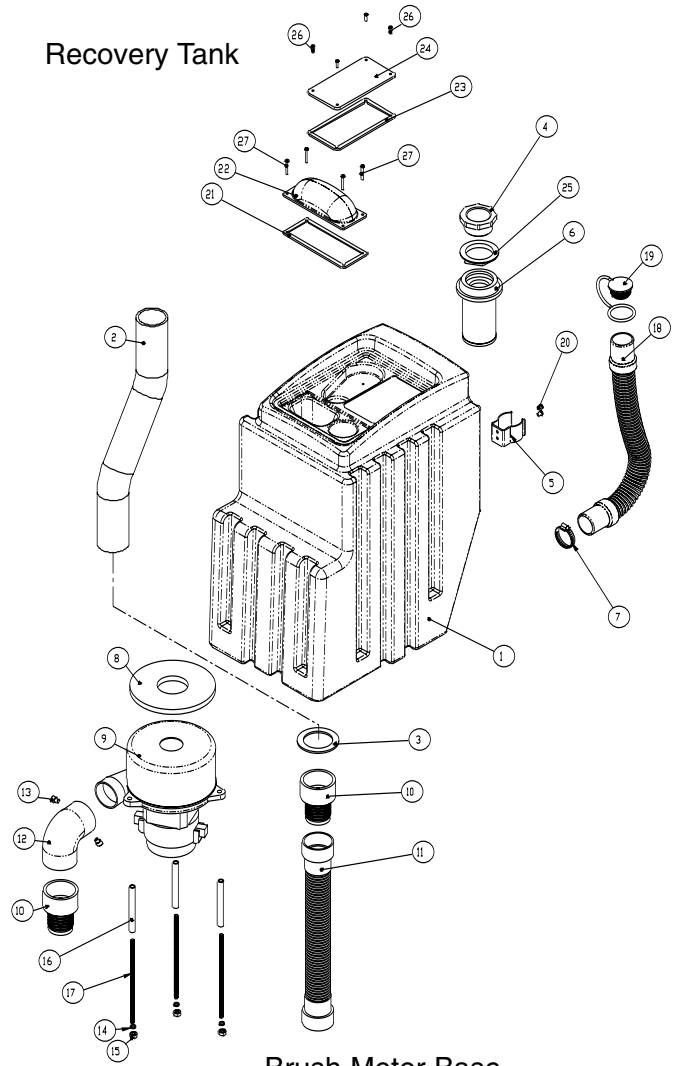


Brush Housing

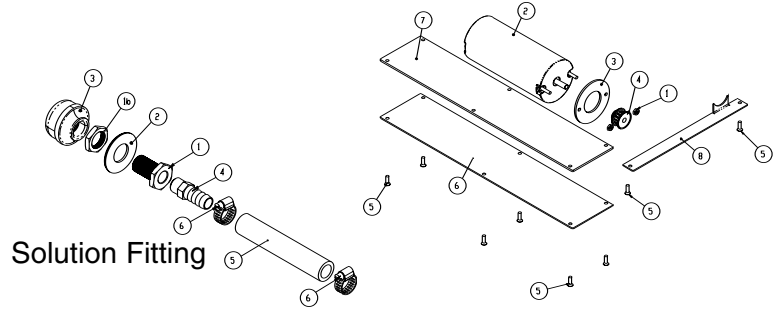


Manifold

Recovery Tank

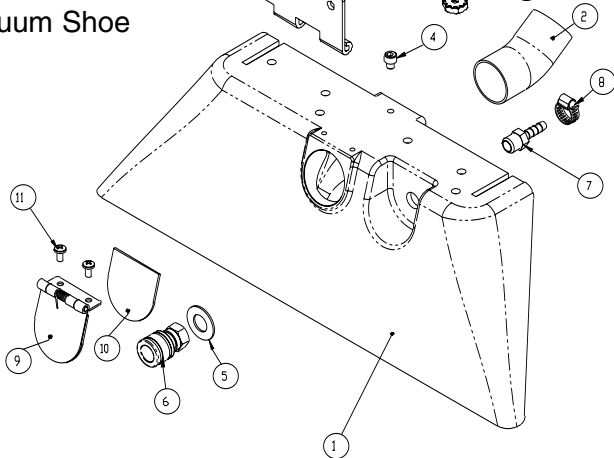


Brush Motor Base

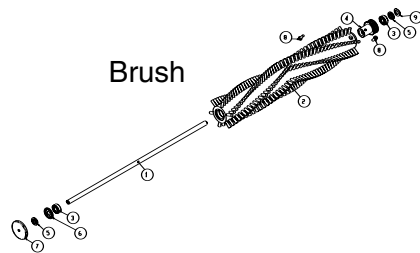


Solution Fitting

Vacuum Shoe



Brush



SELF-CONTAINED EXTRACTOR PFX900S PARTS

ref#	order#	description
BRUSH HOUSING :		
1	X9015	brush housing weldment
2	7BF008	nut
3	X9004	brush drive belt
4	X9003	bridge rectifier
5	X8055	strain relief
6	X9107	brush lift bracket
7	X8256	nut
8	72142A	plug, 7/8" black nylon
9	X9030	foot pedal pin
10	X9026	brush lift pedal
11	X9122	safety walk tape, 1" wide, black
12	72241A	washer
13	X9114	e-ring
14	X9128	label
15	7BS002	screw
16	7CY001	washer
17	71651A	screw
18	7CW003	screw
19	X8237	nut
20	7BR005	screw
21	X8830	nut
22	7BH004	screw
BRUSH MOTOR BASE:		
1	X8830	nut
2	X9002	motor, 120V DC
	X9119	motor, 220V DC - for 220v model only
3	X9099	spacer
4	X9116	drive pulley
5	X9118	screw
6	X9015	motor cover
7	X9126	gasket, brush motor cove
8	X9015B	belt cove
BRUSH:		
1	X9017	brush axle
2	X9070	brush, 3" diameter x 18" chevron
3	X9001	brush bearing
4	X9117	brush driven pulle
5	X9018	brush bearing spacer, nylon
6	X9019	brush bearing shield
7	X9020	brush thread guard
8	X9118	screw
9	X9115	washer
CONTROL PANEL:		
1	X9043	housing, cover, blue
2	X9008	push button switch
3	X9007	rocker switch
4	72086A	circuit breaker, 2.5 amp
5	X8008P	strain relief, plastic
6	72315A	power cord
7	X9093	label, 3-hole switch panel
	X9094	label, 3-hole switch panel - models w/heater
8	PD8	strain relief
9	M1409	14/8, 600 volts cord
10	X8008N	nut, lock
11	72049A	spring clip
12	71651A	screw
13	X9135	screw
14	7DN004	nut cap
15	7CM003	washer
MANIFOLD:		
1	X9021	spray manifold
2	X9141	miniature nozzle bod
3	X9139	miniature nozzle tip
4	7AK003	elbow, union
5	PC66	fitting, brass, 1/8 nptm x 1/4 hose bar
6	X8542	hose, solution
7	7DL003	clamp
8	X8293	washer, nylon
9	7CM007	washer
PUMP, 100 PSI:		
1	SF814	100 p.s.i. Shurflo pump, 115V
	FJ2002	100 p.s.i. Shurflo pump - for 220V models only
2	71507A	elbow, 1/2h - 3/8 mpt, 90°
3	PC20	reducer, 3/8" male x 1/4" female
4	PX32	fitting, brass, 1/4" close nipple
5	7AV001	1/4 female tee
6	SW132	solenoid, 120V, 250 p.s.i.
	SW132-5	solenoid, 220V, 400 p.s.i. - for 220v models
7	PC45	1/8" close nipple
8	7AG002	bushing
9	SW139	1/8" street elbow, 90°
10	7AT006	barb, elbow, 90
11	71817A	hose, 1/4" braide

ref#	order#	description
12	7DL003	clamp
13	7AT003	hose barb
14	X8542	hose, solution
15	X8237	nu
16	X8858	washer
17	X8211	bolt
RECOVERY DOME:		
1	X9034	recovery tank dome
2	X9124	recovery dome gasket
3	X9110	knob, large dome li
4	X9098	screw
5	X9068	chain
6	7CM003	washe
7	X8849	screw
RECOVERY TANK:		
1	X9041	recovery tank housing, blue
2	X9129	vacuum stack assembl
3	PX14A	gasket
4	X9075	bushing
5	72173A	spring cli
6	X9053	float cage
7	7DL005	clam
8	X9120-1	vacuum motor gasket
9	72365A	3-stage vacuum moto
10	PX65	fitting, plastic
11	X9092	vac hose w/cuff
12	PX11A	fitting, plastic elbow, 90°
13	X8222	screw
14	X8212	washe
15	X8213	nu
16	72605A	space
17	X8289	screw
18	PAS37	drain hose
19	PAS36	plug, drain hose
20	X8262	screw
21	X9071	gasket
22	X9033	small dome
23	X9084	cover gasket
24	X9080	recovery tank float cover
25	PX46	nut, lock
26	X9142	screw
27	X9143	screw
SOLUTION FITTING:		
1	PX48	fitting, brass bulkhead
2	72274A	washer
3	71495A	pump protection filter
4	7AT017	barb, beaded
5	70079C	hose, 1/2" wire reinforced
6	7DL008	clamp, 1/2" worm gear
VACUUM SHOE:		
1	X9009	vacuum shoe, aluminum
2	X9013	vacuum shoe tub
3	X9014	hinge
4	X8222	scrc
5	7CM007	washer
6	PX6	1/4 x 1/4 female quick disconnect brass fitting
7	7AT003	hosebarb fitting
8	7DL003	clamp, 1/4" worm gear
9	X9096	flip door hinge w/ spring assembly
10	X9097	gasket, flip door
11	7BH004	screw
12	7CL002	washer
13	X8282	bolt
14	X8209	screw
15	7CY002	washer
16	7CN001	nut
SOLUTION TANK:		
1	X9042	housing, solution, blue
2	7BS002	screw
3	X8256	nut
4	X9144	28" chain
5	X9081	lid, solution tank
6	X8235	washer
7	X8209	screw
8	X9086	bracket, tank mount
9	X9085	bracket, tank mountin
10	X9125	label, tank capacit
11	X8400A	Powr-Flite label
12	X9012	main chassis
13	X9066	wheel, blac
14	X8020	washer, countersunk axle
15	X8265	screw
16	X9109	grommet
17	X9057	label, oper
18	X9111	cord clamp
19	X9134	brush warning label

MAINTENANCE GUIDE

Motors not running

CAUSE:

- 1) Power not reaching main switch.
- 2) Defective power cord.
- 3) Faulty switches or wiring.
- 4) Blown fuse or tripped circuit breaker
- 5) Problem with brushes, field windings, or armatures. (vacuum or brush motor)

SOLUTION:

- 1) Check power supply. Check fuses/circuit breaker. Contact service center.
- 2) Replace with 14 gauge cord.
- 3) Contact manufacturer or service center.
- 4) Reset circuit breaker according to operating instructions or replace fuse if qualified..
- 5) Contact manufacturer or service center.

Loss of vacuum suction

CAUSE:

- 1) Vacuum head blocked.
- 2) Hoses blocked.
- 3) Recovery tank not sealed properly.

SOLUTION:

- 1) Visually inspect and clear blockage.
- 2) Visually inspect and clear blockage.
- 3) Check tank for damage or adjust lid for proper fit.

Brush not functioning properly

CAUSE:

- 1) Belt broken.
- 2) Brush jammed.
- 3) Clutch bearing seized.

SOLUTION:

- 1) Replace belt.
- 2) Visually inspect and clear blockage.
- 3) Contact manufacturer or service center.

Spray jet not functioning properly

CAUSE:

- 1) Jet blocked.
- 2) Solution filter blocked.
- 3) Pump head, valves or diaphragm blocked or damaged.
- 4) Solenoid valve inoperative

SOLUTION:

- 1) Visually inspect and clean according to operating instructions.
- 2) Visually inspect and clean according to operating instructions.
- 3) Contact manufacturer or service center.
- 4) Contact manufacturer or service center.

WARRANTY-PLUS **Powr-Flite** Value Assurance Package.

5 YEARS on
One Piece
Housing
2 YEARS on
Brush Motor
1 YEAR on
Parts & Our
Workmanship

WARRANTY

The manufacturer warrants to the original purchaser that products manufactured are free from defects of workmanship and material, provided such goods are installed, operated and maintained in accordance with written manuals or other instructions for a period of 1 year from date of purchase on parts and workmanship. In case you as our customer, meet any trouble with your machine, contact your Powr-Flite® representative who will be happy to be of service to you and will take care of the warranty settlement.

NOTE: Alterations and changes made to the machine without written approval of the manufacturer and use of unapproved spare parts will not be covered by warranty.

SAVE THESE INSTRUCTIONS