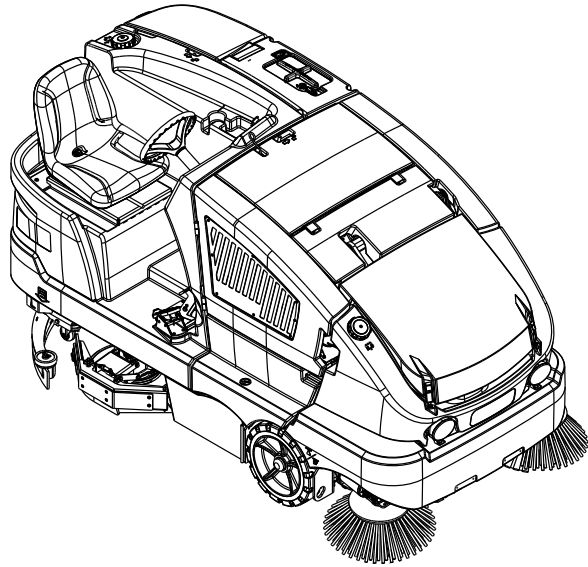


CS7000



PARTS LIST

Models: 56509000(48 LPG Hybrid), 56509001(48 Diesel Hybrid),
56509002(48 Battery)
56509006(48 LPG Hybrid EcoFlex), 56509007(48 Diesel Hybrid EcoFlex),
56509008(48 Battery EcoFlex)

DESCRIPTION	PAGE
Chassis System-LPG & DIESEL	2-3
Chassis System-BATTERY	4-5
Chassis System-Front Engine Cover Assy	6
Chassis System-Engine Cover Assy	7
Chassis System-Right Door Assy	8
Chassis System-Left Cover Assy	9
Chassis System-Pull Rod Assy	10-11
Control System	12-13
Control System-Steering Assy	14-15
Control System-Brake Linkage Assy	16-17
Decal System	18-19
Dust Control System	20-21
EcoFlex™ Assembly	22-23
Electrical System	24-25
Electrical System-Circuit Breaker Panel Assy	26
Electrical System-Contactor Panel Assy	27
Engine System-LPG	28-29
Engine Assy-LPG	30-31
Engine Sub Assy-LPG	32-33
LPG Tank Assy	34-35
Engine System-DIESEL	36-37
Engine Assy-DIESEL	38-39
Engine Sub Assy-DIESEL	40-41
Diesel Fuel Tank Assy	42-43
Hopper System-1	44-45
Hopper System-2	46-47
Hydraulic System	48-49
Main Broom System	50-51
Recovery System	52-53
Scrub System	54-55
Scrub System-Deck Assy	56-57
Scrub System-Right Skirt Assy	58
Scrub System-Left Skirt Assy	59
Side Broom System	60-61
Right Side Broom Arm Assy	62
Left Side Broom Arm Assy	63
Solution System-1	64-65
Solution System-2	66-67
Squeegee System	68-69
Squeegee Assy	70-71
Wheel System	72-73
Ladder Diagrams	74-85
Optional Kits & Accessories	86-87
Brush Selector Guide	88
Broom Selector Guide	89
Squeegee Blade Selector Guide	90

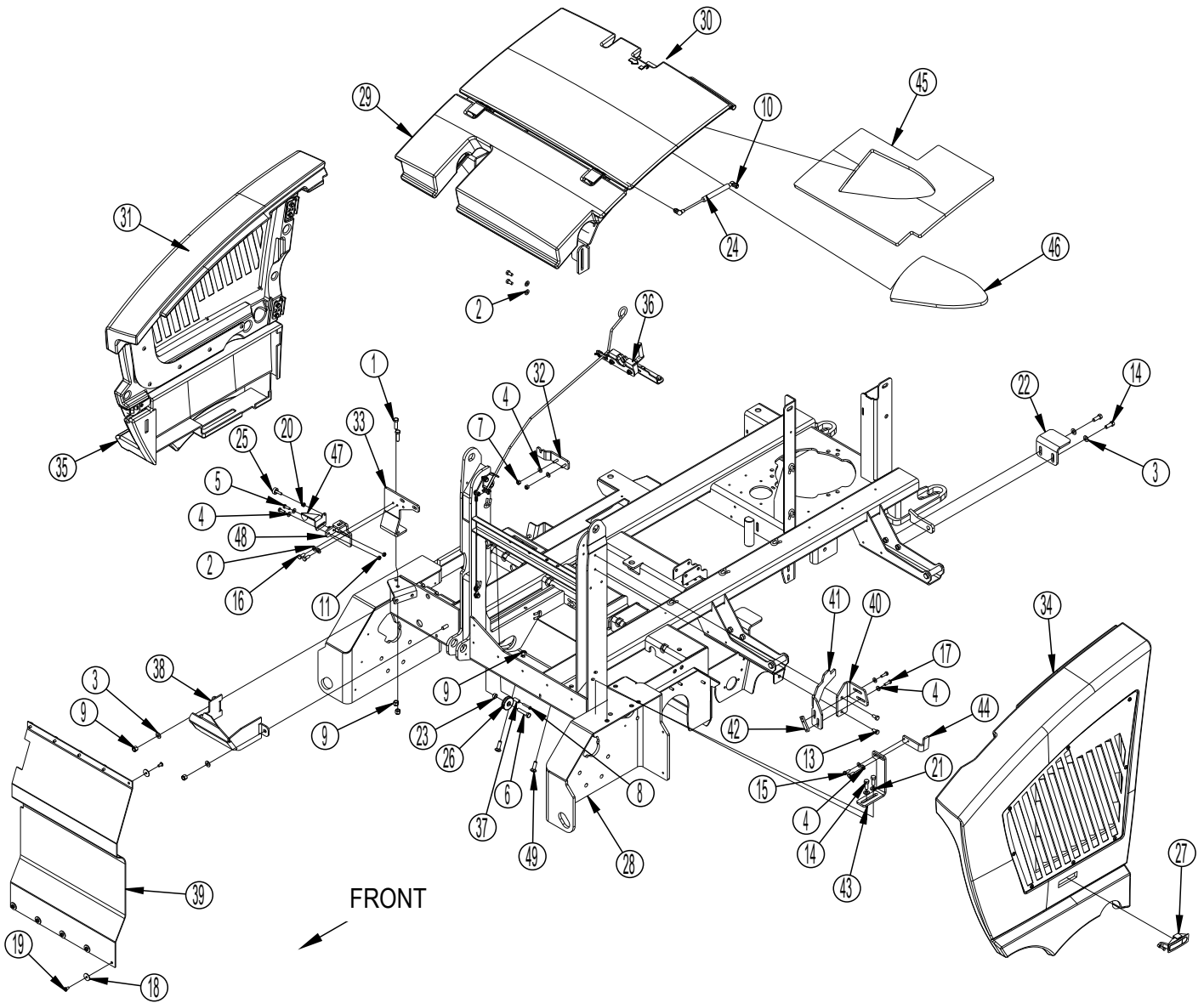
WHEN ORDERING PARTS

- * Use the part numbers from the "Ref. No." columns in this parts list. If the "Ref. No." column is blank; look under the "Kit" column to identify which kit contains the part in question, then use the kit callout, for example "K1", to find the "Ref. No." for that kit.

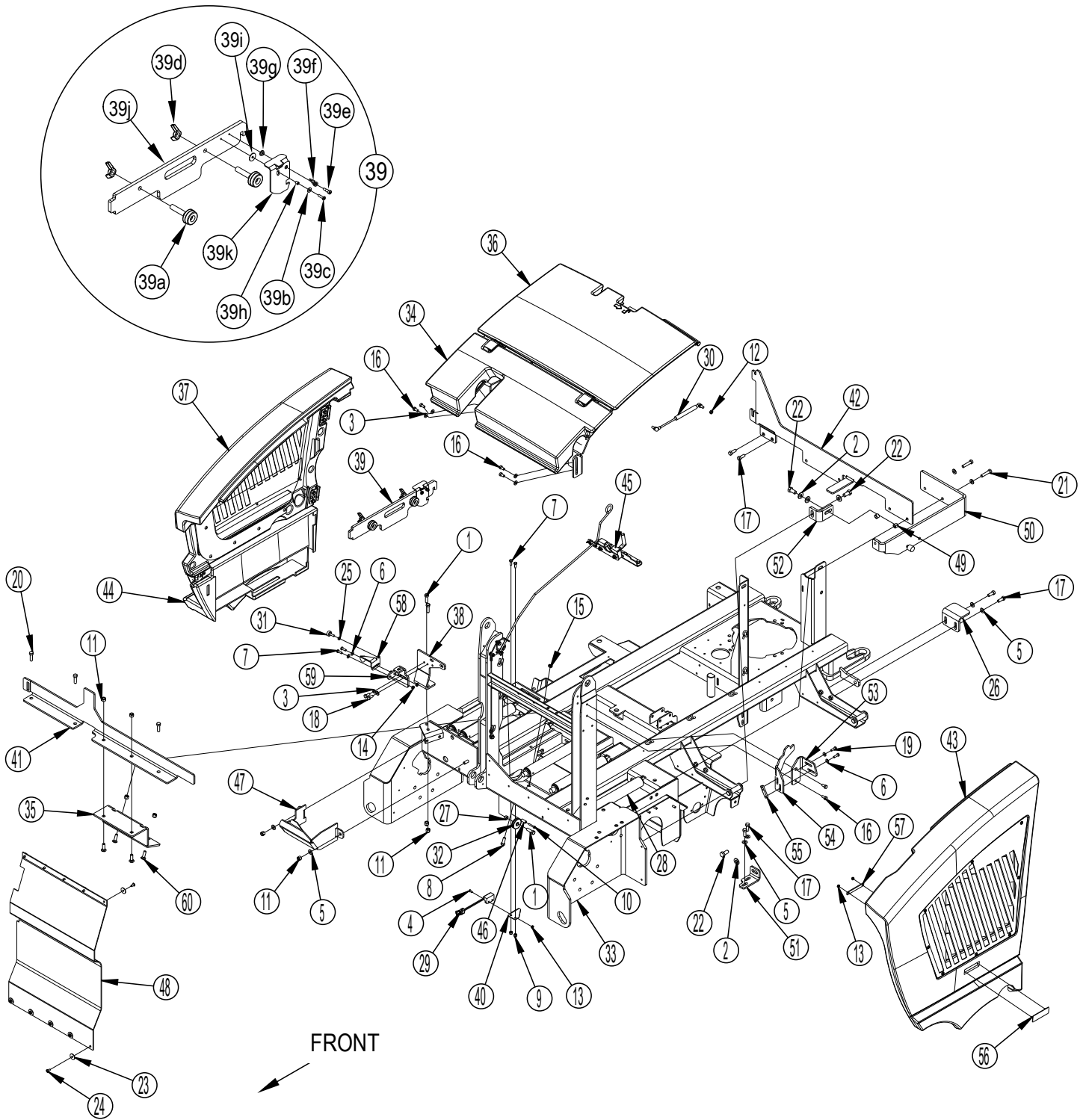
Kit	Item	Ref. No.	Qty	Description
K1	1		16	Washer Flat 3/16 Zinc Plat
K1	2		2	Screw-BHS-Brass-10-32x3/8-MS
K1	3		3	Washer EPDM 7/32 X 1/8
	4	805	1	Chain-Cover
	5	905	2	Caster Swivel 4 Gray Non MA
K1	6		2	Nut, Hex Nyl Loc 10-24
K1	7		3	Scr- Hex SS 1/4-20 X .75
K1	8		16	Scr, Hex Hd Loc 1/4-20 x .50
K1	9		3	Wsh, Flt SS .260 X 1.000 X .074
	10	56113012	1	Solution Tank
	11	56113034	2	Hinge Plate
K1		56113103	1	Kit-Hardware Solution Tank

- * Specify the model and serial number of the machine.
- * Use the space below to record the model and serial number for future reference.

Model _____ Serial No. _____

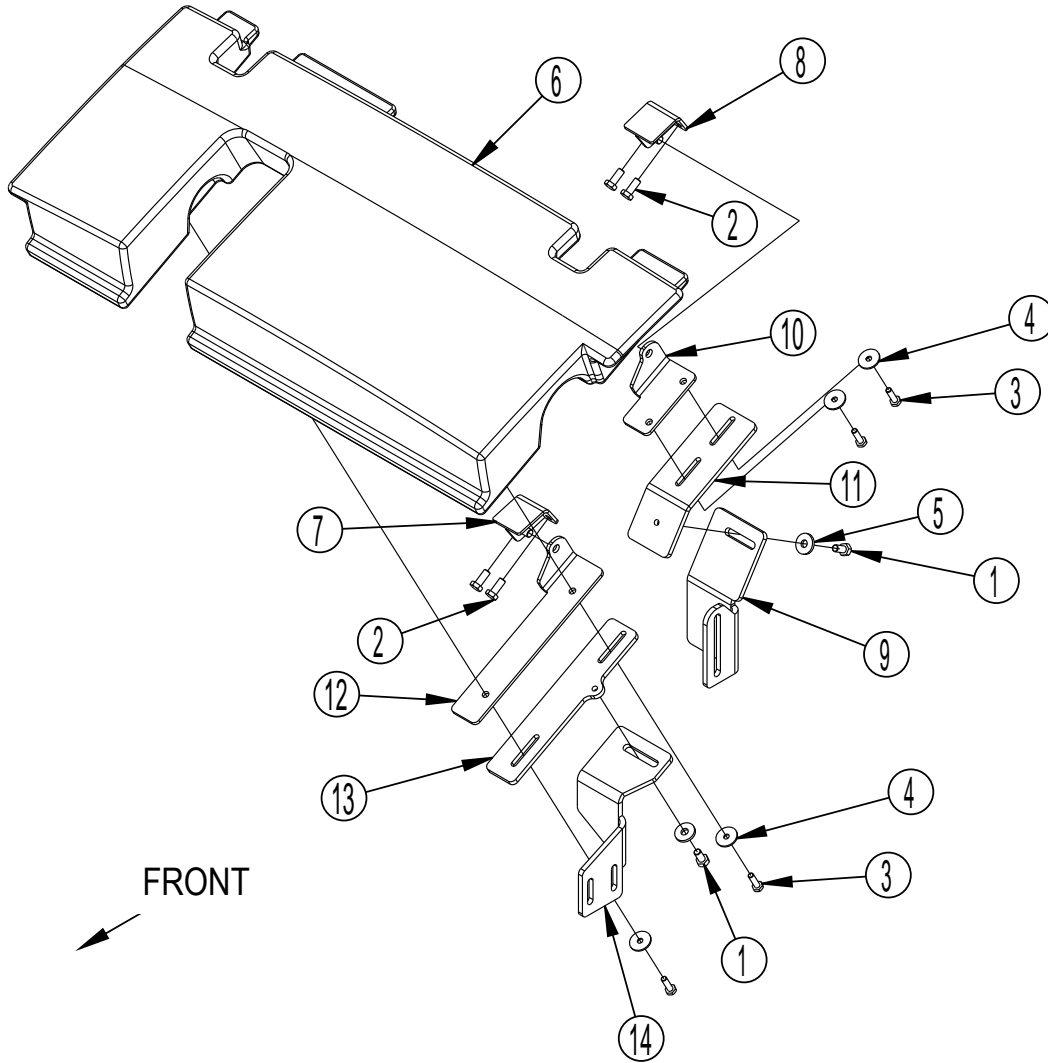


Kit	Item	Ref. No.	Qty	Description
K2	1		2	Scr, Hex 3/8-16 X 1.25
K2,K3	2		6	Wsh, Flt Sae 5/16
K2	3		6	Wsh, Flt Sae 3/8
K2,K3	4		8	Wsh, Flt Sae 1/4
K3	5		2	Scr, Hex 1/4-20 X .75
K2	6		1	Scr, Hex 3/8-16 X 1.25
K2	7		2	Nut, Hex Nyl Loc 1/4-20
K2	8		1	Scr, Pan Phil Thd Form 10-24 X 1.25
K2	9		6	Nut-Hex Nyl Loc 3/8-16
K2	10		2	Nut, Hex Nyl Loc-Thin 5/16-18
K3	11		2	Nut, Hex Nyl Loc-Thin 1/4-20
K2	13		6	Scr,Hex Hd Loc 5/16-18x.62
K2	14		6	Scr,Hex Hd Loc 3/8-16x1.00
K2	15		2	Scr,Hex Hd Loc 1/4-20x.75
K2,K3	16		2	Scr,Hex Hd Loc 5/16-18x.75
K2	17		2	Scr,Hex Hd Loc 1/4-20x.88
K1,K2	18		10	Wsh, Flt Ss .260 X 1.000 X .074
K1,K2	19		10	Scr, Pan Phil Thd Form 1/4-20 X .50
K3	20		1	Nut, Hex Jam 1/4-20
K2	21		2	Wsh-Flt .406x.750x.090
	22	56110587	2	Bracket, Tank Stop
	23	56232181	1	Bushing
	24	56314206	1	Gas Spring
K3	25		1	Leg Leveler 1/4-20
	26	56416546	1	Shielded Pulley
	27	56418471	1	Door Latch
	28		1	Chassis Weldt (not available for sale)
	29	56509411	1	Frt Engine Cover Assy
	30	56509555	1	Engine Cover Assy
	31	56509630	1	Rt Door Assembly
	32	56509648	1	Panel Stop Weldt
	33	56509656	1	Support-Panel
	34	56509851	1	Left Cover Assy
	35	56509881	1	Lower Cover Right
	36	56509897	1	Pull Rod Assy
	37	56509982	1	Bushing-.200 X .375 X .88
	38	56510125	1	Guard-Reservoir
K1	39		1	Shield-Dust
	40	56510539	1	Bracket
	41	56510548	1	Hanger-Cover
	42	56510587	1	Nut Plate
	43	56510717	1	Bracket
	44	56510723	1	Strike-Latch
	45	56510749	1	Foam Insulation
	46	56510750	1	Foam Insulation
K3	47		1	Strike-Latch
K3	48		1	Bracket
K2	49		2	3/8-16 X 1.0", Carriage Bolt
K1	56510735	1	1	Dust Shield Kit-Hopper
K2	56510776	1	1	Hardware Kit-Chassis
K3	56510827	1	1	Latch Kit-Right Door (includes 56510753 & 56510823 not shown here)

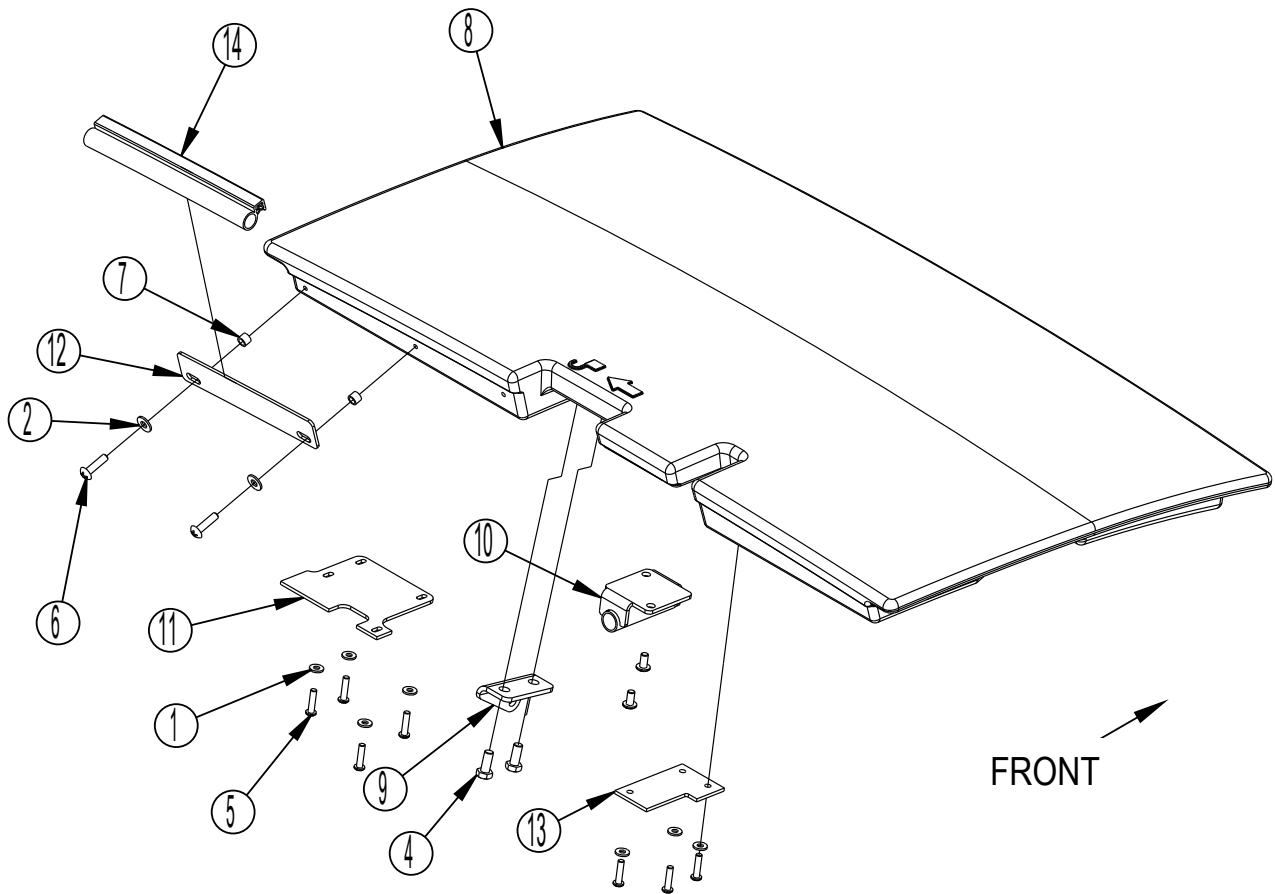


Kit	Item	Ref. No.	Qty	Description	Kit	Item	Ref. No.	Qty	Description
K2	1		3	Scr, Hex 3/8-16 X 1.25	37		56509630	1	Rt Door Assembly
K2,K4	2		4	Wsh, Flt Sae 1/2	38		56509656	1	Support-Panel
K2,K3	3		6	Wsh, Flt Sae 5/16	39		56509755	1	Plate Asm-Battery Stop
K2	4		1	Scr-Pan Phil 10-24 X .50	39a		56449221	2	Bumper, 1.43 Dia
K2	5		10	Wsh, Flt Sae 3/8	39b		56001954	1	Wsh, Flt Sae #10
K2,K3	6		4	Wsh, Flt Sae 1/4	39c		56002192	1	Scr-Pan Phil 10-24 X .75
K2,K3	7		4	Scr, Hex 1/4-20 X .75	39d		56003289	2	Nut, Wing 1/2-13
K2	8		1	Scr, Hex 3/8-16 X 1.00	39e		56003537	1	Scr-Soc Shd .25 X .38 X 10-24
K2	9		2	Nut, Hex Nyl Loc 1/4-20	39f		56245060	1	Spring, Torsion .38 X 2
K2	10		1	Scr, Pan Phil Thd Form 10-24 X 1.25	39g		56303284	1	Bearing, Fl .375x.250x.188
K2,K4	11		8	Nut-Hex Nyl Loc 3/8-16	39h		56369004	1	Bushing
K2	12		2	Nut, Hex Nyl Loc-Thin 5/16-18	39i		56413875	1	Washer, Teflon, .21 X .88 X .045
K2	13		3	Nut, Hex Nyl Loc-Thin 10-24	39j		56509756	1	Plate - Battery Stop
K2,K3	14		2	Nut, Hex Nyl Loc-Thin 1/4-20	39k		56509757	1	Latch - Battery Stop
K2	15		1	Nut, Hex Nyl Loc-Thin 3/8-16	40		56509758	1	Bracket - Switch Mount
K2	16		6	Scr,Hex Hd Loc 5/16-18x.62	K4	41		1	Battery Guide-Front
K2,K4	17		10	Scr,Hex Hd Loc 3/8-16x1.00	K4	42		1	Battery Guide Weldt
K2,K3	18		2	Scr,Hex Hd Loc 5/16-18x.75		43	56509851	1	Left Cover Assy
K2	19		2	Scr,Hex Hd Loc 1/4-20x.88		44	56509881	1	Lower Cover Right
K2,K4	20		3	Scr,Hex Hd Loc 3/8-16x1.25		45	56509897	1	Pull Rod Assy
K2,K4	21		2	Scr,Hex Hd Loc 3/8-16x1.75		46	56509982	1	Bushing-.200 X .375 X .88
K2,K4	22		3	Scr,Hex Hd Loc 1/2-13x1.00		47	56510125	1	Guard-Reservoir
K1,K2	23		10	Wsh, Flt Ss .260 X 1.000 X .074	K1	48		1	Shield-Dust
K1,K2	24		10	Scr, Pan Phil Thd Form 1/4-20 X .50	K4	49		2	Bushing-.400 X .625 X .50
K3	25		1	Nut, Hex Jam 1/4-20	K4	50		1	Battery Stop Weldt
	26	56110587	2	Bracket, Tank Stop		51	56510537	1	Bracket
	27	56232181	1	Bushing	K4	52		1	Bracket
	28	56303228	6	Roller Asm		53	56510539	1	Bracket
	29	56305053	1	Sensor, Proximity S13		54	56510548	1	Hanger-Cover
	30	56314206	1	Gas Spring		55	56510587	1	Nut Plate
K3	31		1	Leg Leveler 1/4-20		56	56510751	1	Cover Plate Weldt
	32	56416546	1	Shielded Pulley		57	56510752	1	Retainer-Cover Plate
	33		1	Chassis Weldt (not available for sale)	K3	58		1	Strike-Latch
	34	56509411	1	Frnt Engine Cover Assy	K3	59		1	Bracket
K4	35		1	Bracket - Rollers	K4	60		4	3/8-16 X 1.0", Carriage Bolt
	36	56509555	1	Engine Cover Assy					

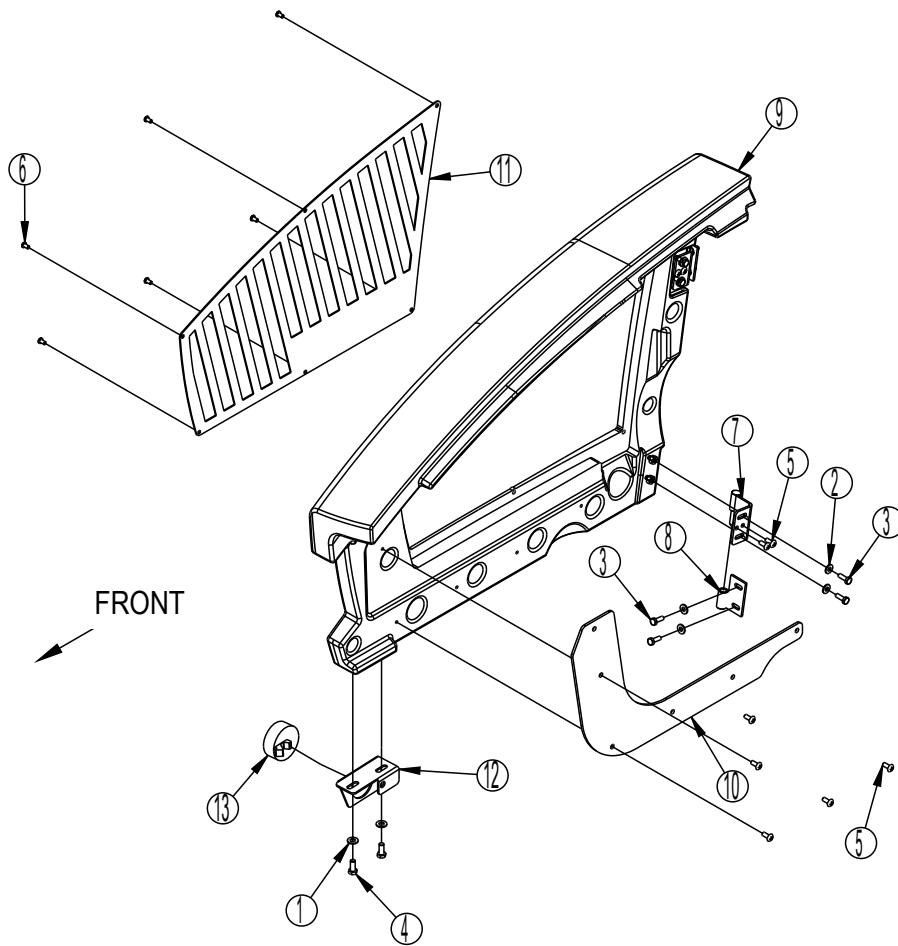
K1	56510735	1	Dust Shield Kit-Hopper
K2	56510842	1	Hardware Kit-Chassis
K3	56510827	1	Latch Kit-Right Door (includes 56510753 & 56510823 not shown here)
K4	56510838	1	Battery Guide Kit



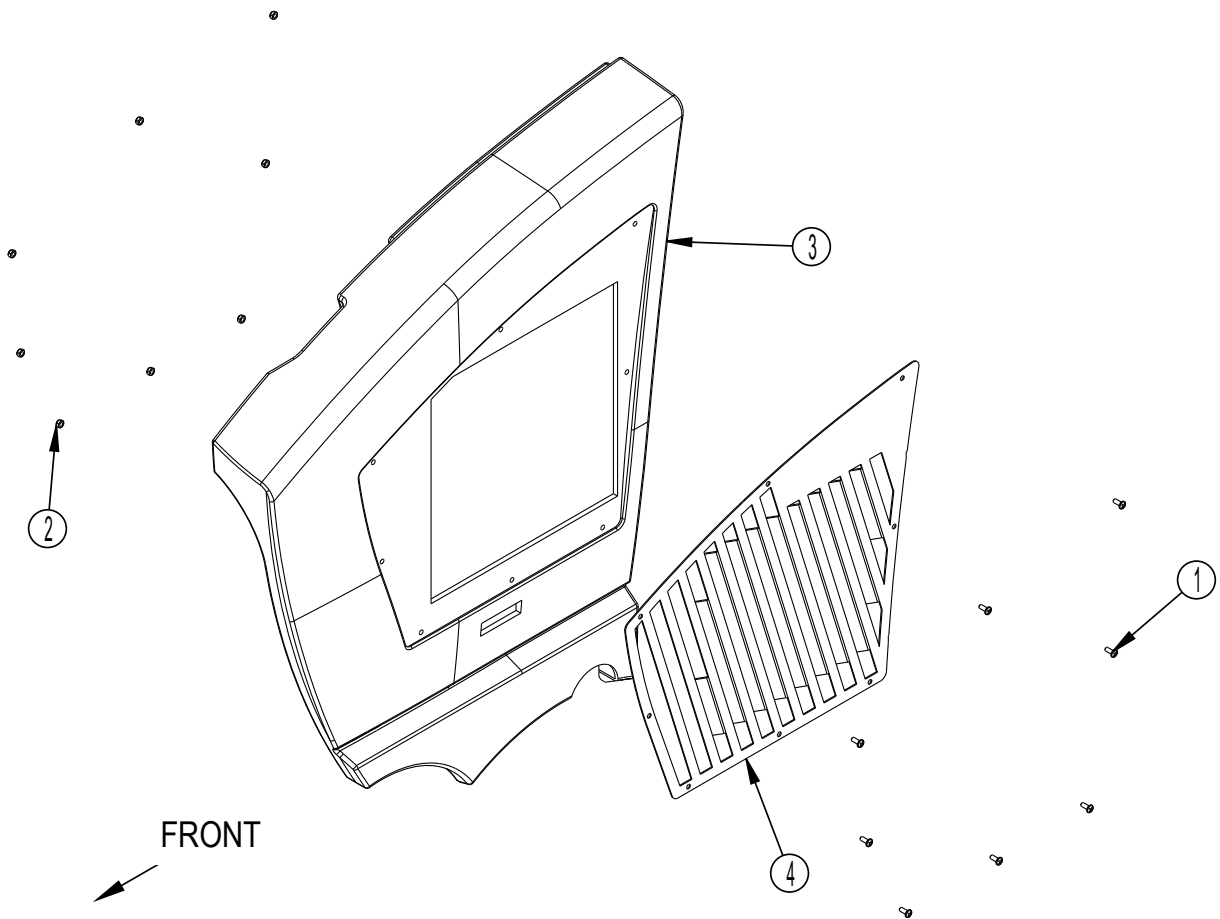
Kit	Item	Ref. No.	Qty	Description
		56509411	1	Frnt Engine Cover Assy
K1	1		2	Scr,Hex Hd Loc 5/16-18x.62
K1	2		4	Scr,Hex Hd Loc 5/16-18x.75
K1	3		4	Scr,Hex Hd Loc 1/4-20x.88
K1	4		4	Wsh, Flt Ss .260 X 1.000 X .074
K1	5		2	Wsh, Flt .344 X .938 X .125
	6	56509403	1	Cover-Engine Front
K1	7		1	Rt Hinge Weldt
K1	8		1	Lt Hinge Weldt
K1	9		1	Bracket-Engine Cover
K1	10		1	Bracket-Engine Cover
K1	11		1	Bracket-Engine Cover
K1	12		1	Bracket-Engine Cover
K1	13		1	Bracket-Engine Cover
K1	14		1	Bracket-Engine Cover
K1		56510839	1	Hinge Kit-Front Engine Cover



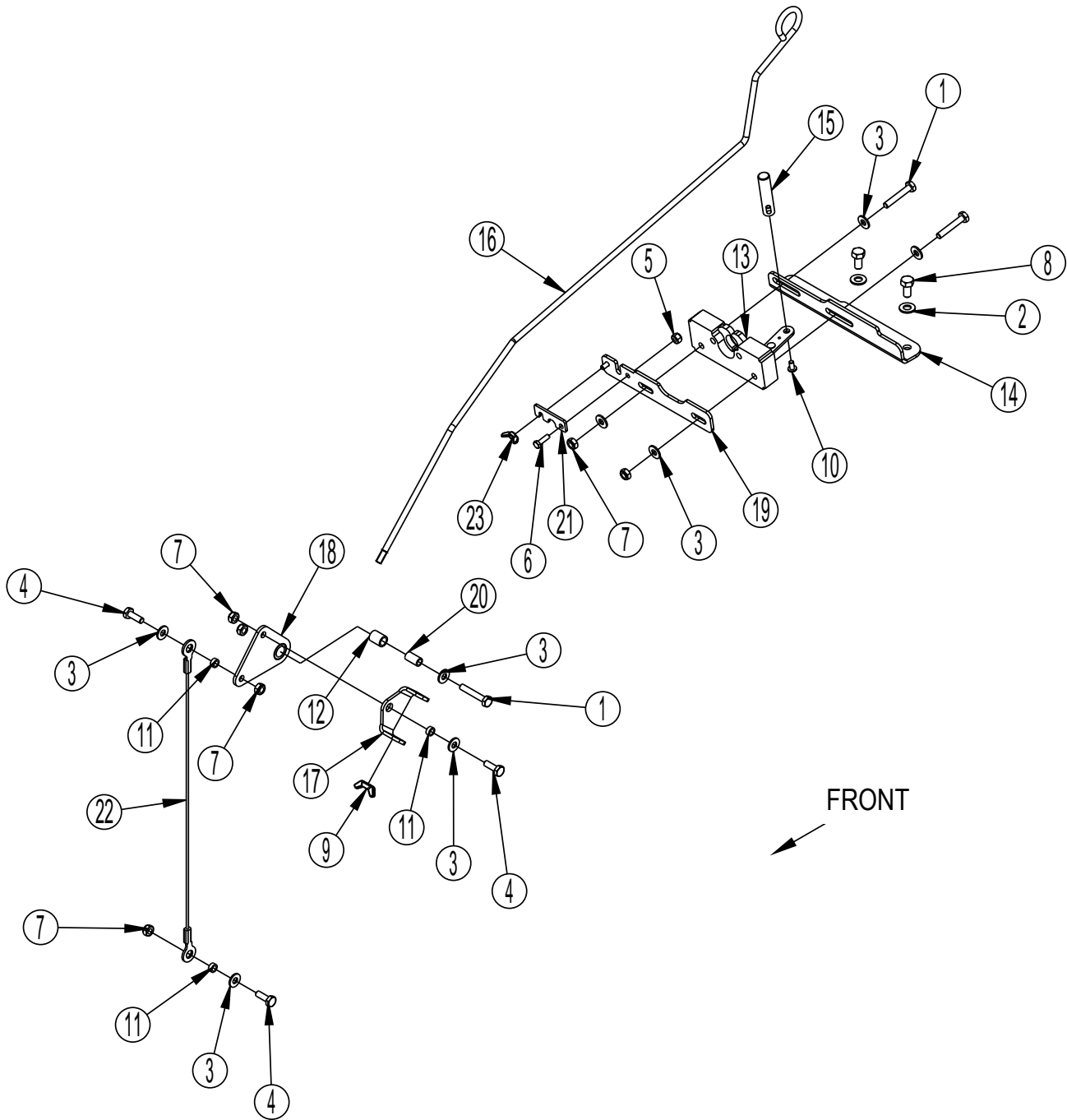
Kit	Item	Ref. No.	Qty	Description
		56509555	1	Engine Cover Assy
K1	1		7	Wsh, Flt Sae #10
K1	2		2	Wsh, Flt Sae 1/4
K2	3		2	Scr, Pan Phil Loc 1/4-20 X .62
K2	4		2	Scr,Hex Hd Loc 5/16-18x.75
K1	5		7	Scr, Pan Phil Plastite 10-14 X .88
K1	6		2	Scr,Pan Phil Ss Type Ab 10-16x1.00
K1	7		2	Bushing .26x.37x.28
		56509404	1	Cover-Engine Rear
K2	9		1	Bracket-Gas Spring
K2	10		1	Latch Strike Weldt
K1	11		1	Shield
K1	12		1	Plate-Seal
K1	13		1	Shield
K1	14		1	Bulb Seal
K1	56510840		1	Seal Kit-Engine Cover
K2	56510841		1	Latch Strike Kit



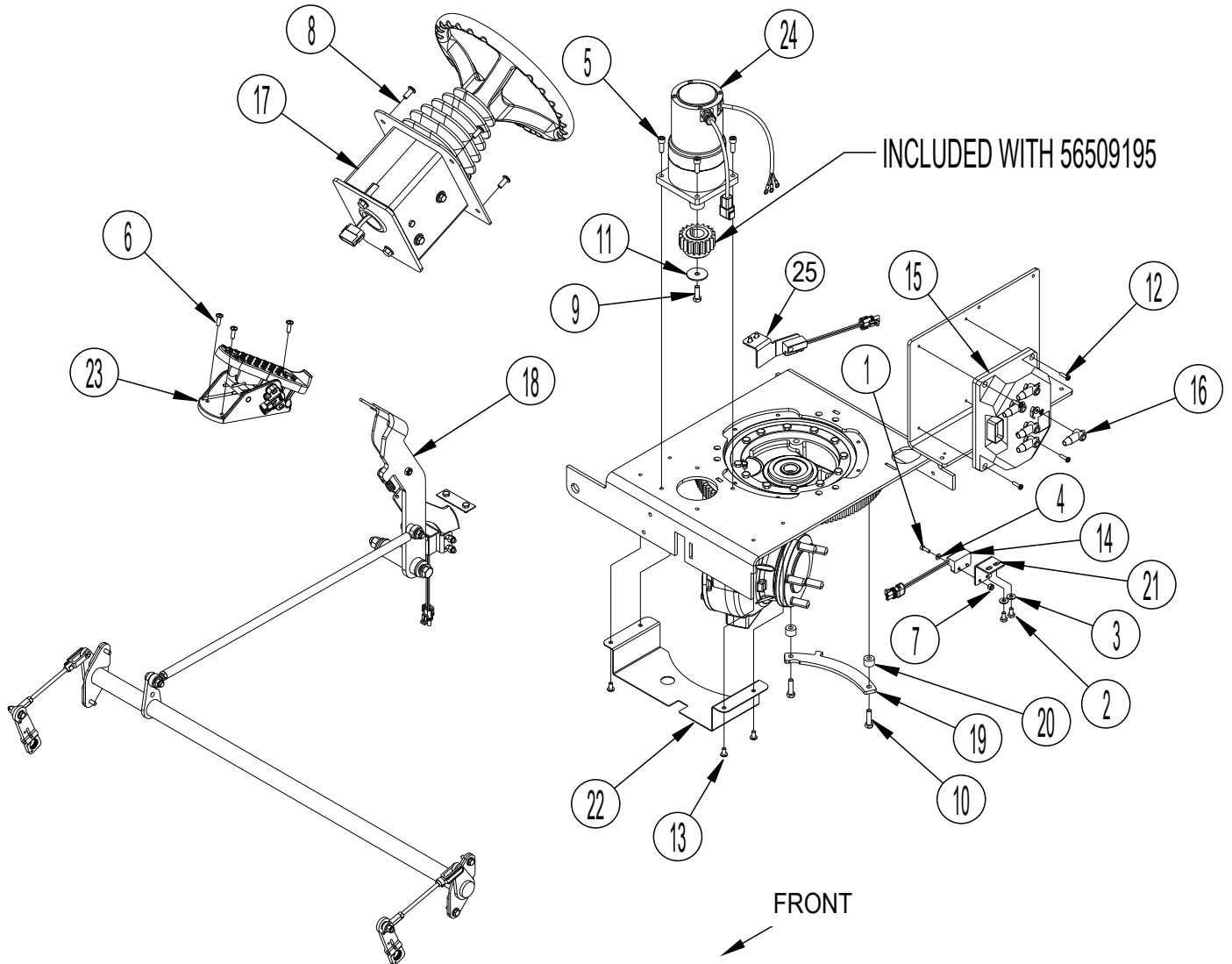
Kit	Item	Ref. No.	Qty	Description
		56509630	1	Right Door Assy
	1	56001939	2	Wsh, Flt Sae 5/16
K1	2		8	Wsh, Flt Sae 1/4
K1	3		8	Scr,Hex Hd Loc 1/4-20x.75
	4	56002956	2	Scr,Hex Hd Loc 5/16-18x.75
K1	5		10	Scr Panphil Ss Type B 1/4-14 X .62
	6	56009247	6	Scr, Pan Phil Plastite 10-14 X .38
K1	7		2	Upper Hinge Weldt
K1	8		2	Lower Hinge Weldt
	9	56509882	1	Door-Right
	10	56510624	1	Stiffener-Side Door
	11	56510632	1	Grille-Right
	12	56510753	1	Bracket-Latch
	13	56510823	1	Latch-Door
K1	56510789		1	Hinge Kit-Rt Door



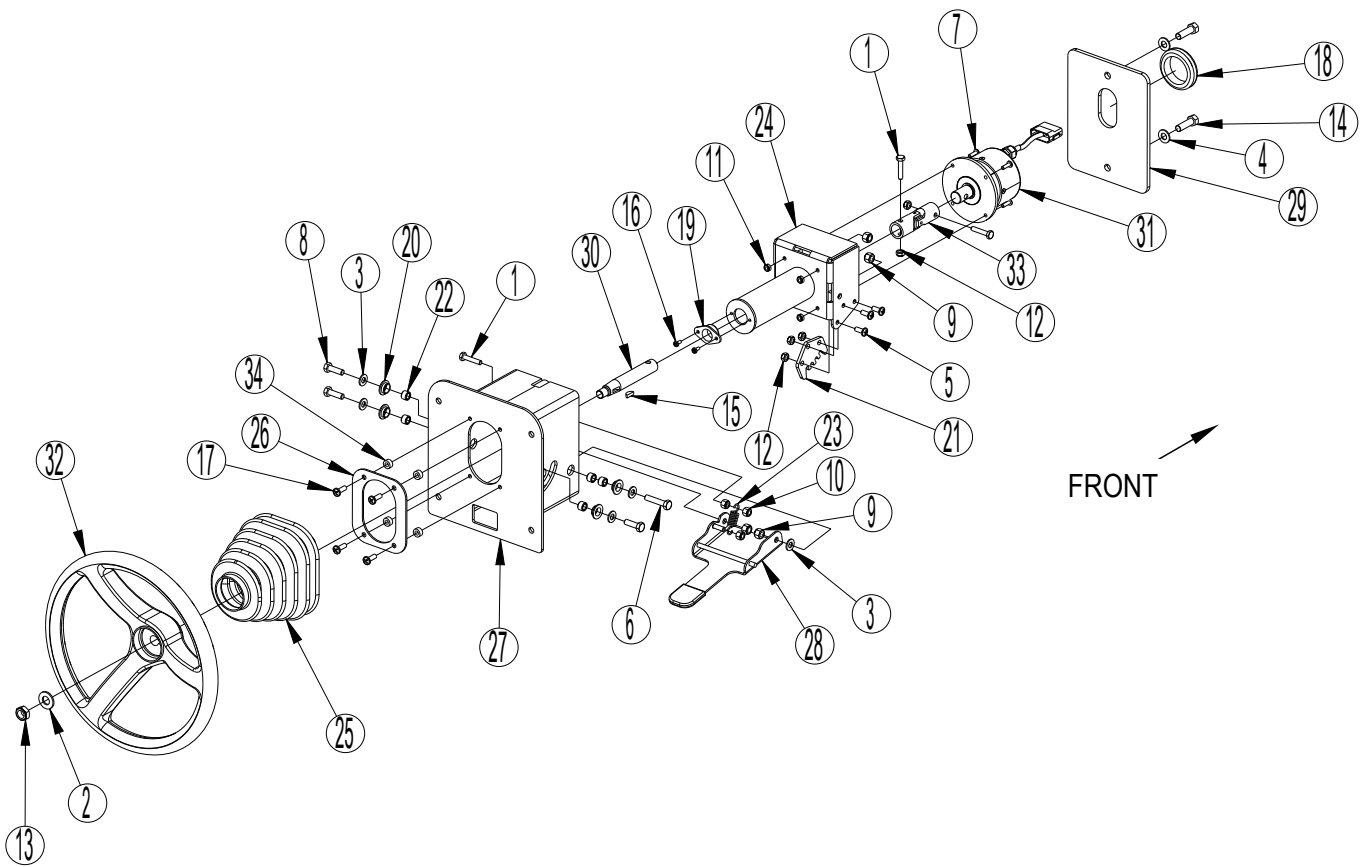
Kit	Item	Ref. No.	Qty	Description
		56509851	1	Left Cover Assy
1		56002066	8	Scr-Pan Phil 1/4-20 X .62
2		56002840	8	Nut, Hex Nyl Loc-Thin 1/4-20
3		56509852	1	Cover-Left
4		56510606	1	Grille



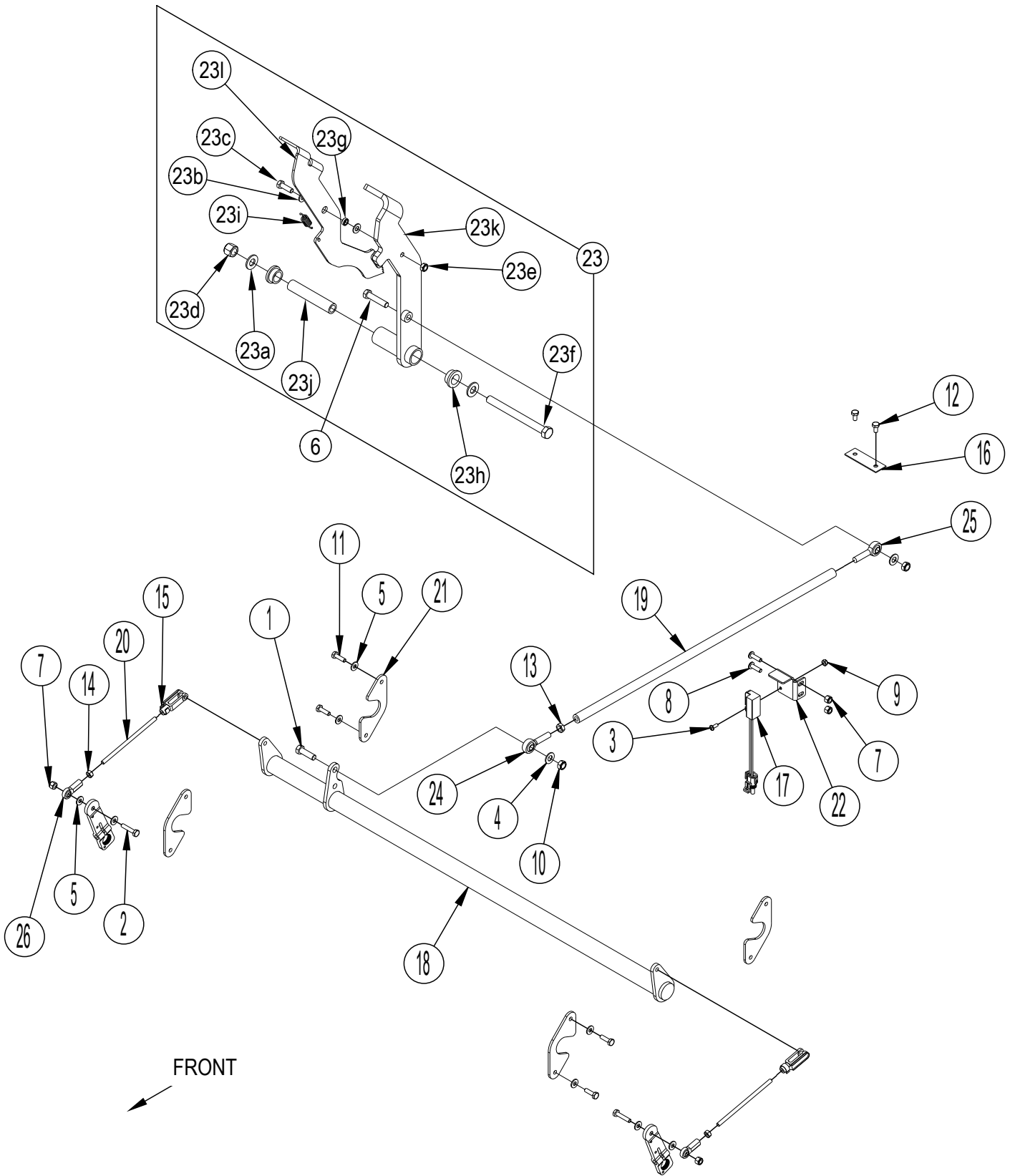
Kit	Item	Ref. No.	Qty	Description
		56509897	1	Pull Rod Assy
K1,K2	1		3	Scr, Hex 1/4-20 X 1.50
K1	2		2	Wsh, Flt Sae 5/16
K1,K2	3		8	Wsh, Flt Sae 1/4
K2	4		3	Scr, Hex 1/4-20 X .75
K1	5		1	Nut, Hex Nyl Loc 10-24
K1	6		1	Scr, Hex 10-24 X .62
K1,K2	7		6	Nut, Hex Nyl Loc-Thin 1/4-20
K1	8		2	Scr,Hex Hd Loc 5/16-18x.62
K2	9		1	Nut, Wing Loc 1/4-20
K1	10		1	Scr, Pan Phil Loc 10-24 X .38
K2	11		3	Bushing
K2	12		1	Bearing, .500 X .375 X .625
K1	13	56304826	1	Latch, Lh
K1	14		1	Bracket-Latch
K1	15		1	Pin
	16	56509865	1	Pull Rod
K2	17		1	Yoke-Pull Rod
K2	18		1	Pivot Weldt
K1	19		1	Bracket-Pull Rod
K2	20		1	Bushing-.265 X .375 X .700
K1	21		1	Retainer-Pull Rod
K2	22		1	Cable Assy
K1	23		1	Nut, Wing 10-24
K1	56510732		1	Latch Kit-Engine Cover
K2	56510733		1	Pivot Kit-Pull Rod



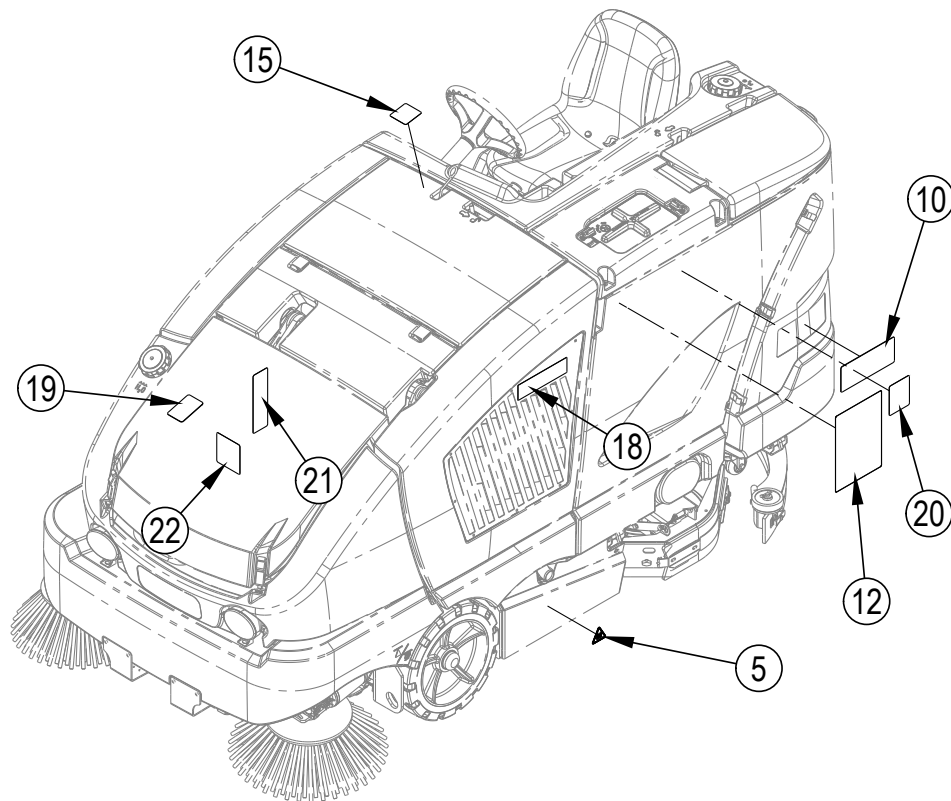
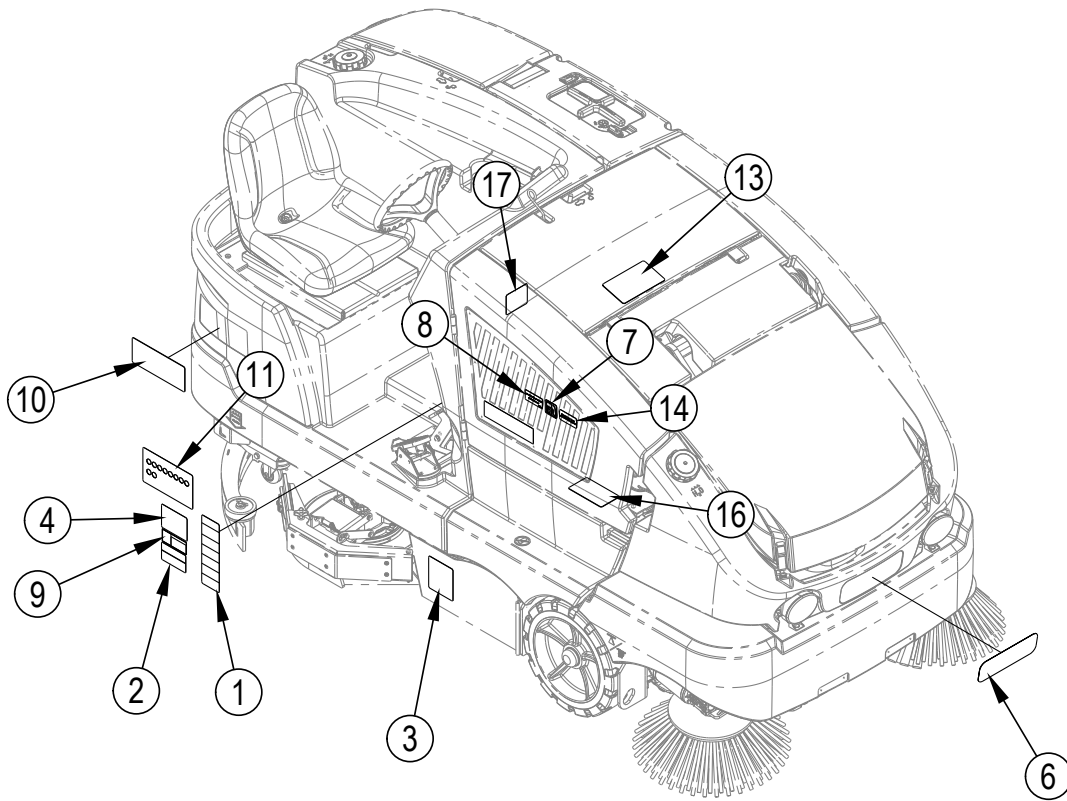
Kit	Item	Ref. No.	Qty	Description
K2	1		2	Scr, Soc Hd 10-24 X 0.62
K2	2		4	Scr, Hex 1/4-20 X .50
K2	3		4	Wsh, Flt Sae 1/4
K2	4		2	Wsh, Flt Sae #8
K2	5		4	Scr, Soc Hd 5/16-18 X 0.88
K1	6		3	Scr-Pan Phil 1/4-20 X .75
K2	7		2	Nut, Hex Nyl Loc 10-24
K2	8		4	Scr-Pan Phil Blk 5/16-18 x .75
K2	9		1	Scr, Hex Thd To Hd M8-1.25 X 25mm
K2	10		2	Scr-Hex Loc Ss M8-1 X 30mm
K2	11		1	Wsh-Flt Ss .344 X 1.500 X .080
K2	12		4	Scr, Pan Phil Thd Form 10-24 X .75
K2	13		4	Scr, Pan Phil Thd Form 1/4-20 X .50
	14	56305053	2	Sensor-Proximity S16 / S17
	15	56510729	1	Controller-Steering A5
	16	56409538	5	Insulator, Terminal
	17	56509271	1	Assembly-Tilt Steering
	18		1	Brake Linkage Assy
	19	56509435	1	Cam-Steering
	20	56509436	2	Spacer 0.332x0.75x0.50
	21	56509437	1	Bracket-Sensor Mounting
	22	56509807	1	Shield-Splash
K1	23		1	Foot Pedal Assy R1
	24	56380406	1	Actuator-Steering 36V M16
	25	56510912	1	Bracket-Sensor Mounting
K1	56510792		1	Foot Pedal Kit
K2	56510816		1	Hardware Kit-Control System



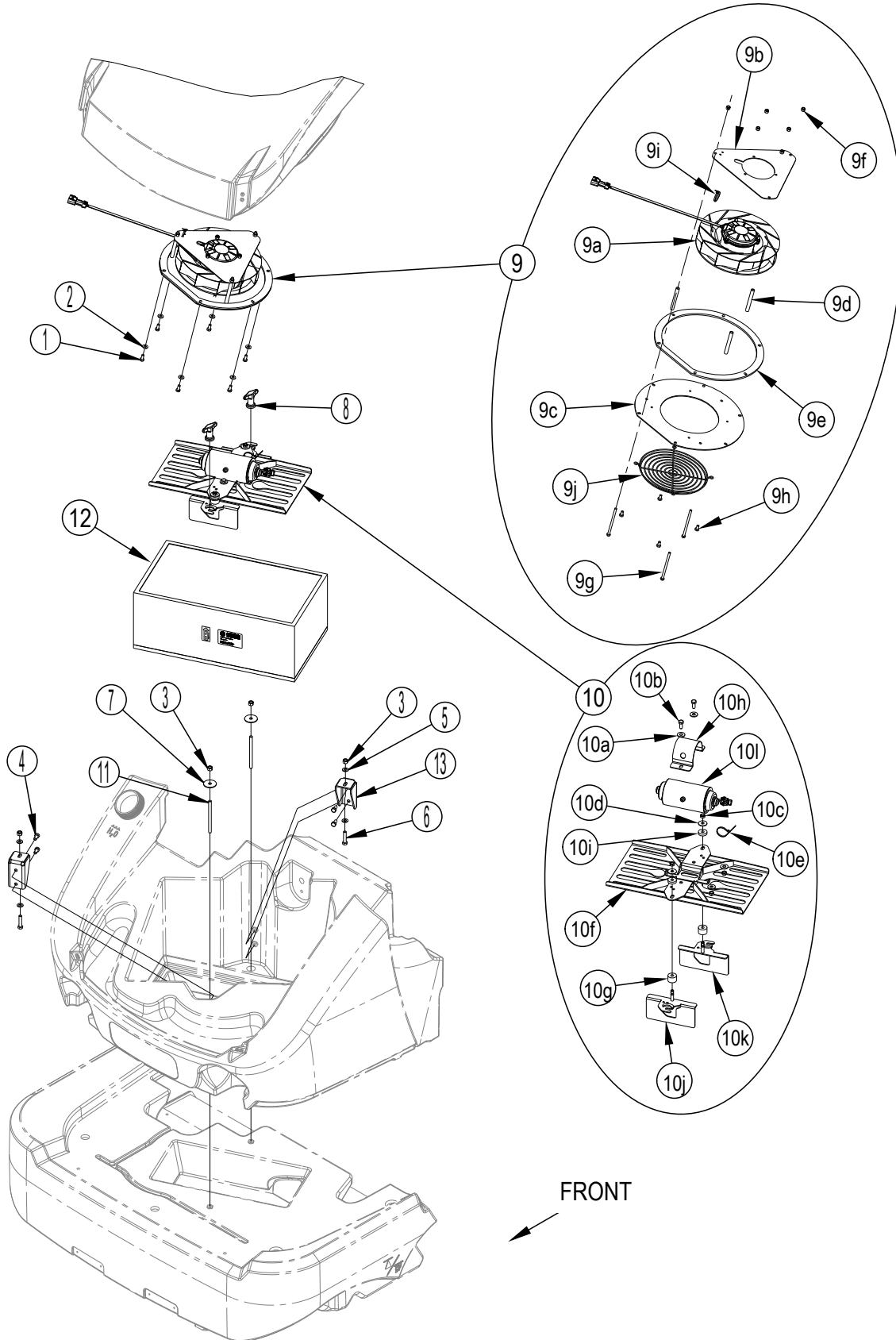
Kit	Item	Ref. No.	Qty	Description
K1,K4	1		3	Scr, Hex 1/4-20 X 1.25
K1	2		1	Wsh-Flt Sae 1/2
K4	3		5	Wsh, Flt Sae 5/16
K2	4		2	Wsh, Flt Sae 3/8
K3	5		3	Scr-Pan Phil 1/4-20 X .62
K4	6		1	Scr, Hex 5/16-18 X 1.50
K3	7		4	Scr-Pan Phil 10-24 X .62
K4	8		3	Scr, Hex 5/16-18 X 1.00
K3,K4	9		4	Nut, Hex Nyl Loc 5/16-18
K4	10		3	Nut, Hex Nyl Loc 1/4-20
K3	11		4	Nut, Hex Nyl Loc-Thin 10-24
K1,K3	12		5	Nut, Hex Nyl Loc-Thin 1/4-20
K1	13		1	Nut, Hex Nyl Loc-Thin 1/2-13
K2	14		2	Scr,Hex Hd Loc 3/8-16x1.25
K1	15		1	Key, Wdf .62 X .19
K3	16		2	Scr, Pan Phil Thd Form 8-32 X .38
K5	17		4	Scr, Pan Phil Thd Form 1/4-20 X .75
K2	18		1	Grommet
K3	19		1	Bushing
K4	20		4	Bearing, Flange .625 X .500 X .250
K3	21		1	Ratchet, Steering Column
K4	22		5	Bushing .32x.50x.35
K4	23		1	Spring, Extension
K3	24		1	Weldment-Tilt Steering
K5	25		1	Boot-Steering
K5	26		1	Plate-Boot Holder
K4	27		1	Weldment-Steering Mount
K4	28		1	Weldment-Tilt Lever
K2	29		1	Plate-Steering Clamp
K1	30		1	Shaft-Steering
	31	56510408	1	Torque Feedback Device F4
	32	56601060	1	Steering Wheel
	33	7-37-00001	1	Universal Joint
K5	34		4	Spacer
	K1	56510918	1	Steering Shaft Kit
	K2	56510919	1	Steering Clamp Plate Kit
	K3	56510920	1	Steering Column Kit
	K4	56510921	1	Steering Housing Kit
	K5	56510922	1	Steering Boot Kit



Kit	Item	Ref. No.	Qty	Description
K2	1		1	Scr, Hex 3/8-16 X 1.25
K2	2		2	Scr, Hex 1/4-20 X 1.25
K2	3		1	Scr-Pan Phil 10-24 X .50
K1,K2	4		2	Wsh, Flt Sae 3/8
K2	5		8	Wsh, Flt Sae 1/4
K1	6		1	Scr, Hex 3/8-16 X 1.75
K2	7		4	Nut, Hex Nyl Loc 1/4-20
K2	8		2	Scr-Pan Phil 1/4-20 X .88
K2	9		1	Nut, Hex Nyl Loc-Thin 10-24
K1,K2	10		2	Nut, Hex Nyl Loc-Thin 3/8-16
K2	11		4	Scr,Hex Hd Loc 1/4-20x.88
K1	12		2	Scr, Hex Thd Form 1/4-20 X .50
K2	13		1	Nut, Hex Jam 3/8-24
K2	14		2	Nut, Hex Machine 1/4-28
	15	56109172	2	Yoke, Clevis
K1	16	56304543	1	Catch, Brake Lock
	17	56305053	1	Sensor-Proximity S5
	18	56509365	1	Weldt-Brake Bar
	19	56509368	1	Rod-Brake
	20	56509369	2	Rod-Brake
	21	56509370	4	Pivot-Brake
	22	56509554	1	Bracket-Switch Mount
K1	23		1	Brake Pedal Assy
K1	23a		2	Wsh-Flt Sae 1/2
K1	23b		2	Wsh, Flt Sae 5/16
K1	23c		1	Scr, Hex 5/16-18 X 1.00
K1	23d		1	Nut-Hex Nyl Loc 1/2-13
K1	23e		1	Nut, Hex Nyl Loc-Thin 5/16-18
K1	23f		1	Scr, Hex 1/2-13 X 5.50
K1	23g		1	Bushing .323 X .500 X .180
K1	23h		2	Bearing, Fl 1.000x.750x.500
K1	23i		1	Spring, Extension
K1	23j		1	Bushing-.520 X .750 X 3.995
K1	23k		1	Brake Pedal Weldt
K1	23l		1	Pedal-Park Brake
	24	2-00-06016	1	Rod End, 3/8-24 Rh
	25	2-00-06017	1	Rod End, 3/8-24 Left Hand
	26	7-25-02111	2	Rod End, 1/4" Female
K1	56510786		1	Brake Pedal Kit
K2	56510785		1	Hardware Kit-Brake Linkage

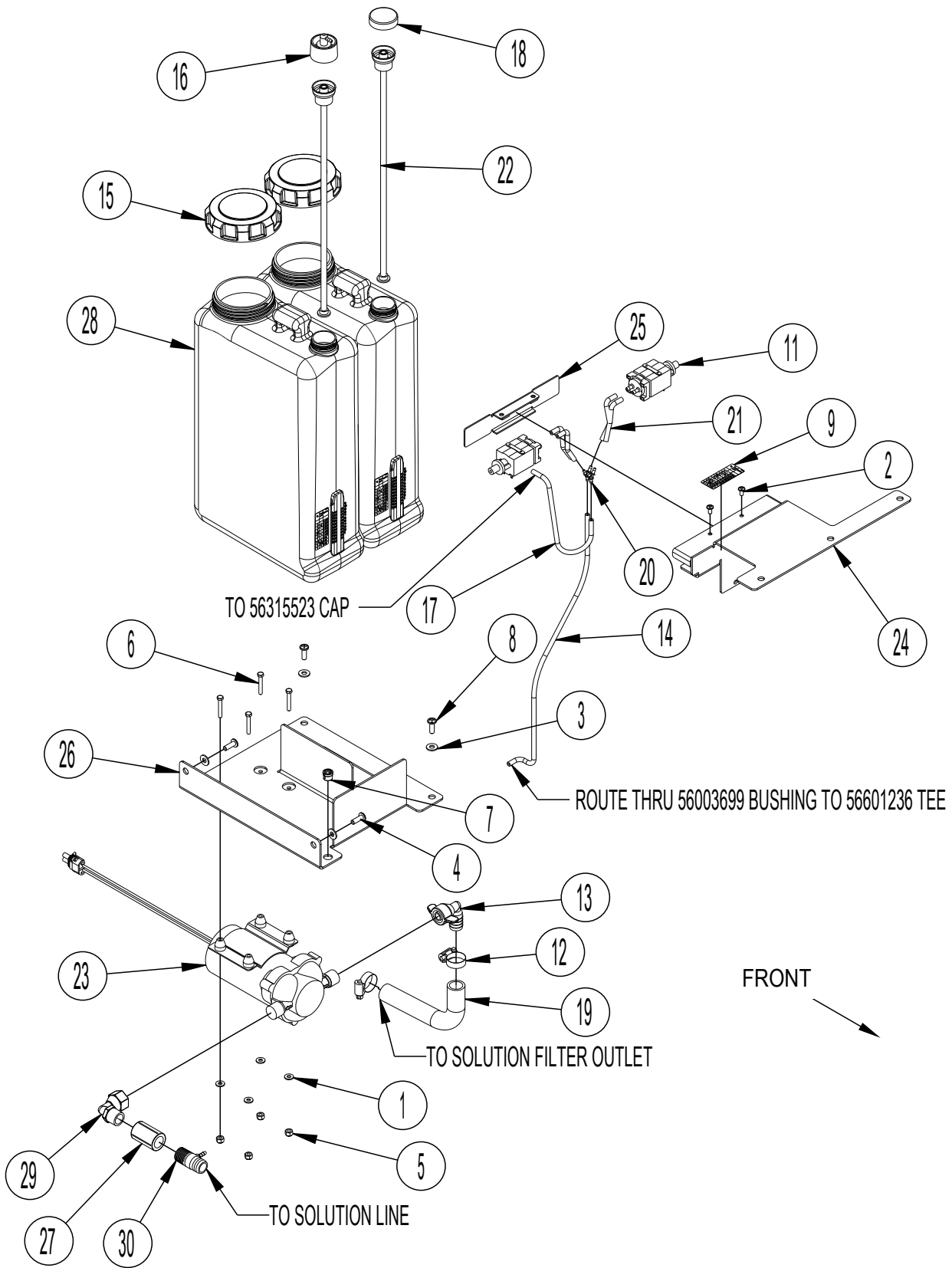


Kit	Item	Ref. No.	Qty	Description
	1		1	Decal-Caution
	2		1	Decal-LPG
	3		1	Decal-Warning Broom
	4		1	Decal,Warning Tip Over
	5		1	Decal-Warning Hot (LPG & Diesel)
	6		1	Decal-Advance
	7		1	Decal-Diesel Fuel
	8		1	Decal-Low Sulfur Diesel
	9			Decal-Exhaust (LPG & Diesel)
	10		2	Decal-CS7000
			2	Decal-CS7000 Ecoflex
	11			Decal-Circuit Breaker
	12		1	Decal-Contactor Location (on panel behind recovery tank)
	13		1	Decal-Battery Wiring (Battery)
	14		1	Decal-Swing Out Tank (Diesel)
	15		1	Decal-Hopper Safety Support
	16		1	Decal-Battery Wiring
	17		1	Decal-Belt Removal Tool
	18	56510650	2	Decal-Hybrid Embossed (LPG & Diesel)
		56510748	2	Decal-E Power Embossed (Battery)
	19		1	Decal-Filter Shaker Hanger
	20		1	Decal-Disconnect Power (on panel behind recovery tank)
	21		1	Decal-Warning Hopper
	22		1	Decal-Warning Hydraulic
K1		56510885	1	Decal Kit-Advance

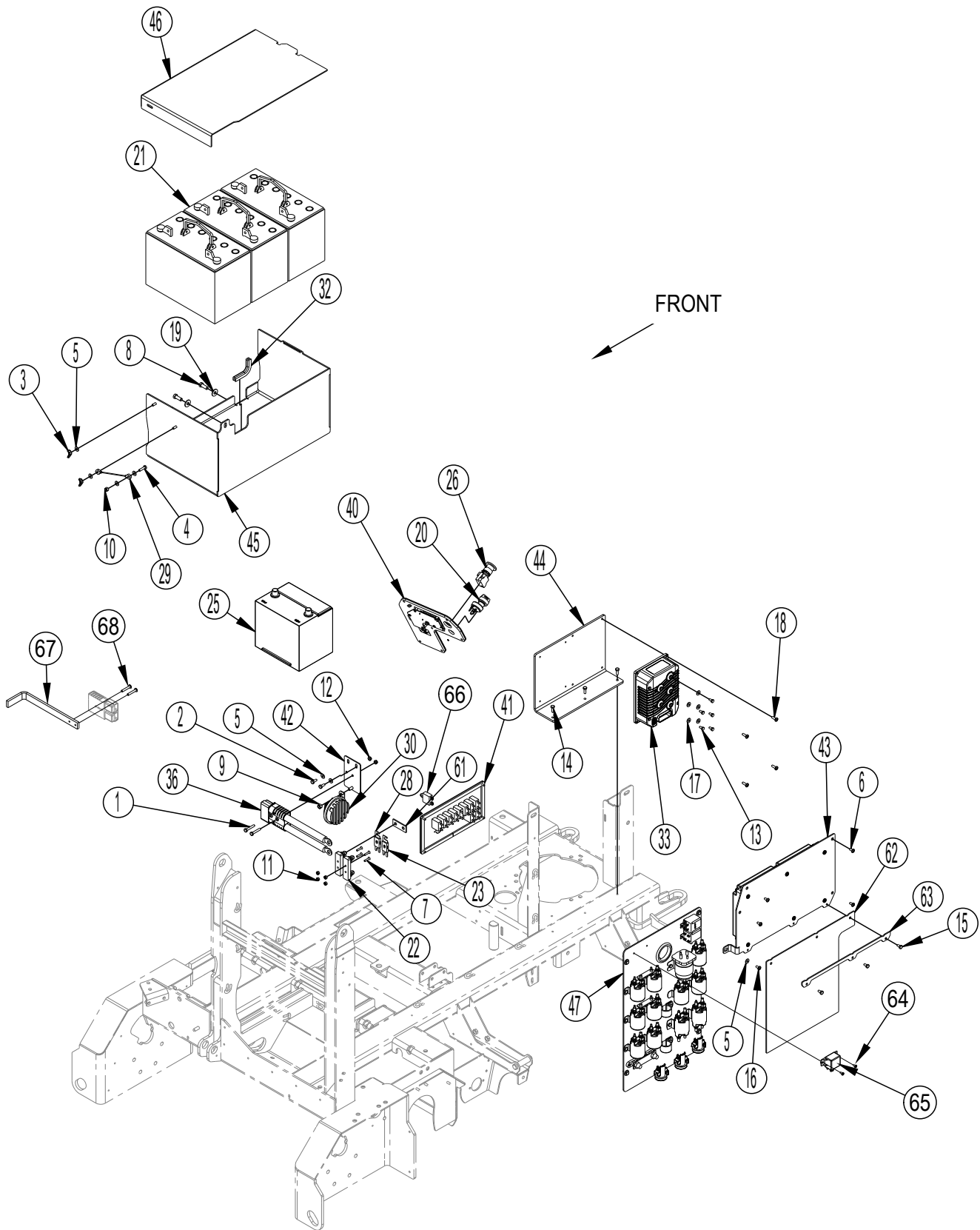


Kit	Item	Ref. No.	Qty	Description
K1	1		6	Scr, Hex 1/4-20 X .62
K1	2		6	Wsh, Flt Sae 1/4
K2,K3	3		4	Nut, Hex Nyl Loc Ss 5/16-18
K2	4		4	Scr-Hex Loc Ss 5/16-18 X .62
K2	5		4	Wsh-Flt Sae Ss 5/16
K2	6		2	Scr- Hex Ss 5/16-18 X 1.50
K3	7		2	Wsh-Flt Ss .344 X 1.500 X .080
	8	56370711	2	Nut Thumb
K1	9		1	Impeller Assy
K1	9a	33015359	1	Motor Vacuum 36v
K1	9b		1	Support-Vac
K1	9c		1	Plate-Vac
K1	9d		3	Spacer
K1	9e	33016950	1	Gasket
K1	9f		6	Nut-Hex Nyl Loc M6-1
K1	9g		3	Scr-Hex M6-1 X 100mm
K1	9h		4	Scr, Hex Thd Form 1/4-20 X .50
K1	9i		1	Tie, Cable
K1	9j		1	Protection Grate
	10	56509762	1	Filter Shaker Assy
K4,K5	10a		4	Wsh, Flt Std 5/16
K4	10b		2	Scr, Hex 5/16-18 X .75
K5	10c		4	Nut, Hex Nyl Loc-Thin 5/16-18
K5	10d		2	Wsh-Flt Ss .33 X 1.00 X.060
K5	10e		1	Tie, Cable
K5	10f		1	Filter Shaker Weldt
K5	10g		2	Isolator
K4	10h		1	Clamp-Shaker Motor
K5	10i		2	Wsh-Rubber .34x1.00x.25
K5	10j		1	Filter Clamp Weldt
K5	10k		1	Filter Clamp Weldt
K4	10l		1	Motor-Filter Shaker 36v
	11	56510253	2	Rod-Threaded
	12	56510354	1	Filter-Rectangular Synthetic
	*	56510244	1	Filter-Rectangular
K2	13		2	Bracket-Filter Tie Down
	K1	56510778	1	Impeller Kit-Hopper
	K2	56510779	1	Bracket Kit-Filter Tie Down
	K3	56510783	1	Hardware Kit-Dust Control System
	K4	56510787	1	Motor Kit-Shaker
	K5	56510788	1	Filter Shaker Kit

* = Optional, Not Included



Kit	Item	Ref. No.	Qty	Description
		56509950	1	Onboard Chemical Assy (1-30)
K2	1		4	Wsh, Flt Sae #10
K2	2		2	Scr-Pan Phil 10-24 X .38
K2	3		4	Wsh, Flt Sae 1/4
K2	4		2	Scr-Pan Phil 1/4-20 X .75
K2	5		4	Nut, Hex Nyl Loc 10-24
K2	6		4	Scr, Hex 10-24 X 1.25
K2	7		1	Bushing, 1/4 Id Snub
K2	8		2	Scr, Pan Phil Thd Form 1/4-20 X .75
K2	9		1	Decal-Chemical Ratio
K1	11		2	Pump, Detergent, 12v M17 / M18
K3	12		2	Clamp- Hose Sae #10
K3	13		1	Elbow Poly 1/2 X 3/4
K1	14		1	Hose-Chem Resistant 17.00
K4	15		2	Cap, Raw
K4	16		1	Cap, Dry Break, 1/8 Barb, 90\$
K1	17		1	Hose-Chemical Resistant-7.50
K4	18		1	Cap, 38mm Buttress
K3	19		1	Hose-Spiral .75x7.00
K1	20		2	Fitting, Y, Barb, .125
K1	21		4	Hose-Chem Resistant-5.00
K4	22		2	Insert, Dry Break
	23	56413810	1	Pump, 36v M19
K2	24		1	Pump Mnt Weldt
K2	25		1	Cover Weldt
K2	26		1	Pump Support Weldt
K3	27		1	Coupling-1/2 Npt Pvc Sch 40
K4	28		2	Chemical Bottle Assy
K3	29		1	Elbow-1/2x1/2 Nyl
K3	30		1	Tee, Special, 3/4 X 3/16 X 1/2npt
K1	56510888		1	Detergent Pump Kit
K2	56510889		1	Bracket / Hardware Kit
K3	56510891		1	Hose / Fitting Kit
K4	56510892		1	Chemical Bottle Kit



Kit	Item	Ref. No.	Qty	Description	Kit	Item	Ref. No.	Qty	Description
K1,K2,K3	1		2	Scr, Hex 1/4-20 X 1.50		36	56509178	1	Cable Assy-Main Power
K1,K2,K3	2		2	Scr, Hex 1/4-20 X .62		[37]	56509179	1	Cable Assy-Hopper
K2,K3	3		2	Nut, Wing 1/4-20 NOTE 2		[38]	56509182	1	Cable Assy-Starter Battery
K2,K3	4		1	Scr, Hex 1/4-20 X 1.00 NOTE 2		[39]	56509184	1	Harness-Vacuum
K1,K2,K3	5		7	Wsh, Flt Sae 1/4 NOTE 3		40	56509476	1	User Interface Panel Assy A3
K1,K2,K3	6		4	Scr-Pan Phil 1/4-20 X .50		41		1	Circuit Breaker Panel Assy
K1,K2,K3	7		4	Scr, Flt Phil 10-24 X .88		42	56509565	1	Bracket-Connector Mount
K2,K3	8		2	Scr, Hex 3/8-16 X 1.00 NOTE 2		43	56509626	1	Pcb Box Assy-Main
K1,K2,K3	9		1	Nut, Hex Nyl Loc 5/16-18		44	56509720	1	Panel-Control Mount
K2,K3	10		1	Nut, Hex Nyl Loc 1/4-20 NOTE 2		45	56509735	1	Battery Box Weldt NOTE 2
K1,K2,K3	11		4	Nut, Hex Nyl Loc 10-24		46	56509738	1	Cover-Battery NOTE 2
K1,K2,K3	12		2	Nut, Hex Nyl Loc-Thin 1/4-20		47		1	Assembly-Contactor Panel
K1,K2,K3	13		5	Scr-Hex M6-1 X 12mm		[48]	56510152	1	Harness-Engine Interface
K1,K2,K3	14		3	Scr, Hex Thd Form 1/4-20 X .75		[49]	56510210	1	Cable-U 1 Awg X 13.75
K1,K2,K3	15		3	Scr, Hex Thd Form 1/4-20 X .50		[50]	56510211	1	Cable-V 1 Awg X 16.00
K1,K2,K3	16		1	Scr, Pan Phil Thd Form 1/4-20 X .50		[51]	56510212	1	Cable-W 1 Awg X 19.00
K1,K2,K3	17		5	Wsh, Int Shprf 1/4		[52]	56510213	1	Cable-1 Awg X 52.25
K1,K2,K3	18		4	Scr, Pan Phil Thd Form 1/4-20 X .75		[53]	56510214	1	Cable-4 Awg X 7.00
K2,K3	19		2	Wsh-Flt .392x1.00x.075 NOTE 2		[54]	56510215	1	Cable-1 Awg X 46.50
	20	56111109	1	Key Switch Assembly S14		[55]	56510216	1	Cable-1 Awg X 31.25
K4	21		3	Battery, Gel 12v 98 Ah NOTE 2		[56]	56510218	1	Cable-1 Awg X 46.75
	22	56303295	2	Fuse Block		[57]	56510220	1	Cable-4 Awg X 7.75
	23	56303297	1	Fuse, 400 Amp F1		[58]	56510222	1	Cable-6 Awg X 9.00
	[24]	56372673	6	Boot-Battery Post		[59]	56510223	1	Cable-1 Awg X 29.25
	25	56380449	1	Battery-12v 45ah Wet NOTE 2		[60]	56510224	1	Cable-1 Awg X 26.50
	26	56407130	1	Disconnect, Emergency S15		61	56510260	1	Bus Bar-Fuse
	[27]	56409485	2	Cable Assy-1 X 15.00		62	56510351	1	Cover
	28	56412089	1	Fuse, 150 Amp F2		63	56510352	1	Strap
	29	56412344	1	Wire Rope Assy NOTE 2	K3	64		2	Scr-Pan Phil Thd Form 10-24 x .38 NOTE 1
	30	56482365	1	Horn 36v H2		65	56110423	1	Relay-SPST 12V 75A (K13 / Glow Plugs) NOTE 1
	[31]	56493357	8	Insulator-Terminal		66	56509624	1	Circuit Breaker 40A (CB11 / Glow Plugs) NOTE 1
	32	56507906	1	Trim, Edge NOTE 2		67	56510835	1	Bar-Elect Disconnect NOTE 2
	33	56509172	1	Controller-Motor Speed A2	K2,K3	68		2	Scr-Pan Phil Loc 1/4-20 x 1.50 NOTE 2
	[34]	56509173	1	Harness-Main					
	[35]	56509174	1	Harness-Hopper		[]	56510217	1	Harness-Glow Plug NOTE 1
						K1	56510784	1	Hardware Kit-Elect Sys Battery
						K2	56510780	1	Hardware Kit-Elect Sys LPG
						K3	56510782	1	Hardware Kit-Elect Sys Diesel
						K4	56510781	1	Battery Kit-Elect Sys LPG / Diesel

[] = Not Shown

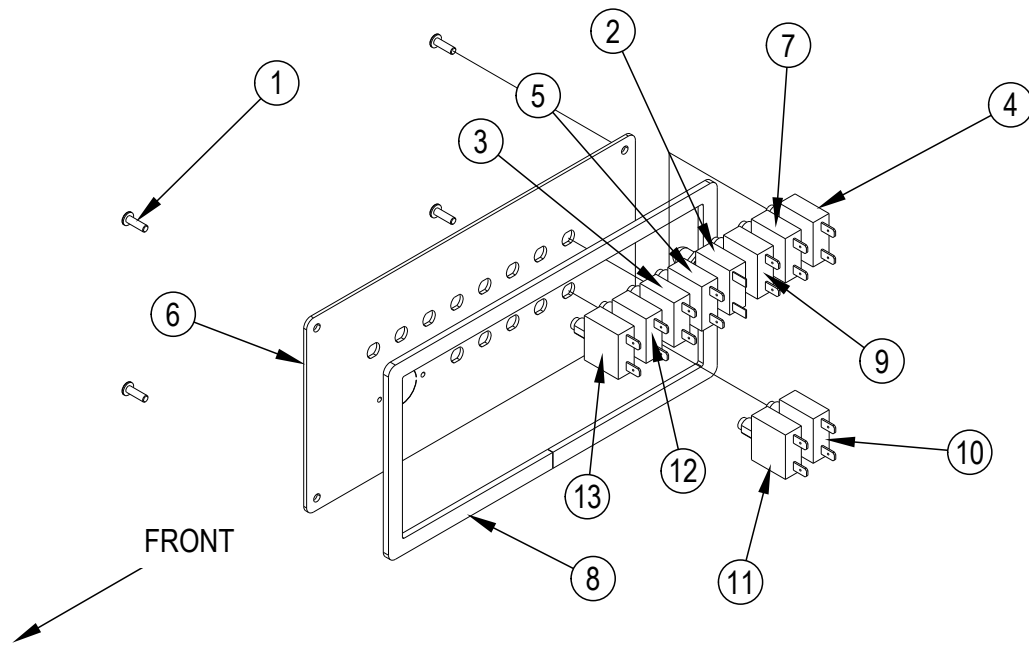
NOTE 1: These items are only used on diesel models.

NOTE 2: These items are only used on LPG and diesel models.

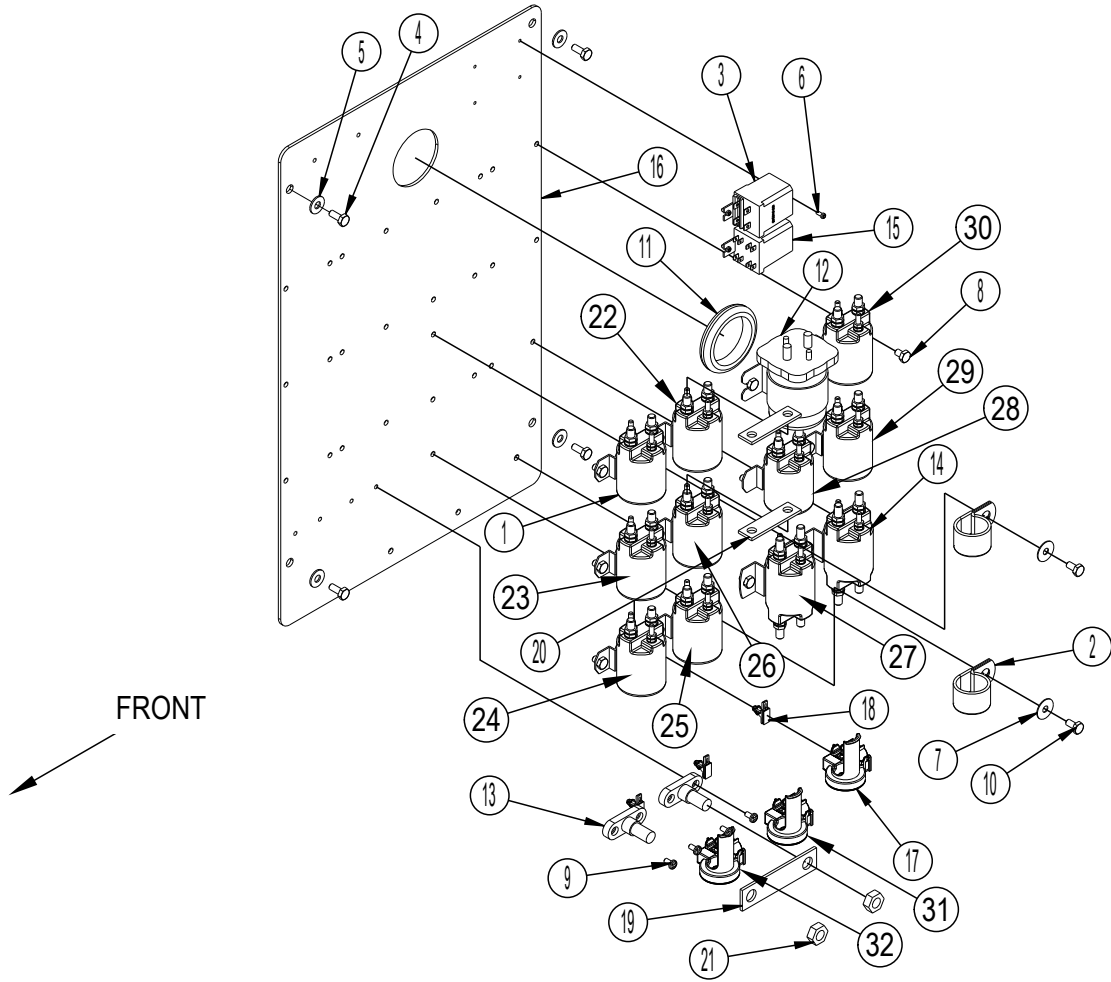
NOTE 3: Quantity of 3 on battery models.

26

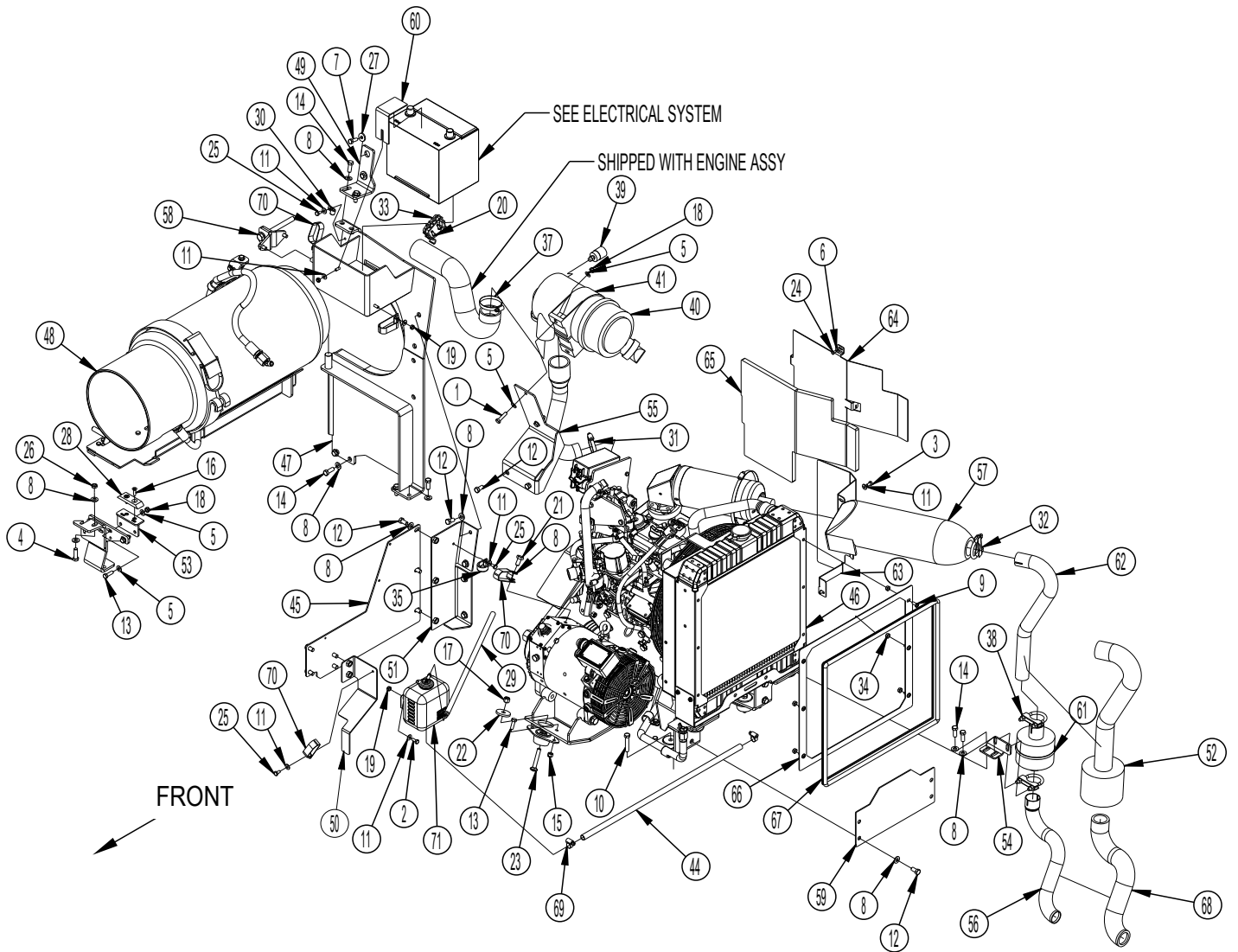
CS7000



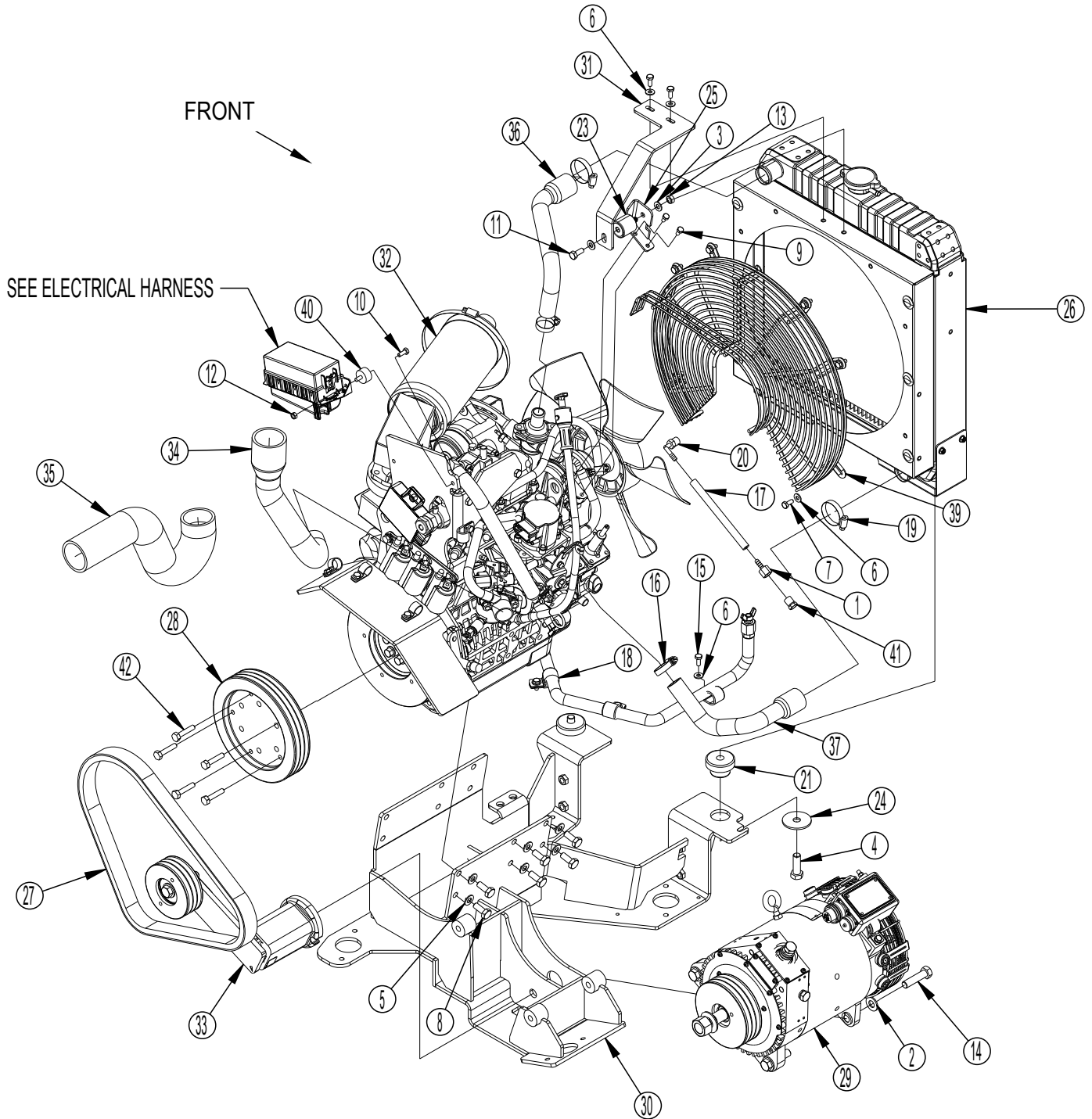
Kit	Item	Ref. No.	Qty	Description
	1	56003853	4	Scr-Pan Phil Blk 10-24 X .62
	2	56315255	1	Circuit Breaker, 5 Amp (CB4 / Ignition)
	3	56413407	1	Circuit Breaker, 15 Amp (CB6 / VACC6)
	4	56413822	1	Circuit Breaker, 20 Amp (CB1 / VACC1)
	5	56507644	1	Circuit Breaker, 10 Amp (CB5 / Dust Control)
	6	56509548	1	Panel-Circuit Breaker
	7	56509623	1	Circuit Breaker-25 Amp (CB2 / VACC2)
	8	56510311	1	Gasket-Panel
	9	56509623	1	Circuit Breaker-25 Amp (CB3 / VACC3)
	10	56413407	1	Circuit Breaker, 15 Amp (CB9 / Engine System)
	11	56509623	1	Circuit Breaker-25 Amp (CB10 / Steering System)
	12	56509623	1	Circuit Breaker-25 Amp (CB7 / Side Broom)
	13	56509623	1	Circuit Breaker-25 Amp (CB8 / Hydraulic Pump)



Kit	Item	Ref. No.	Qty	Description	Kit	Item	Ref. No.	Qty	Description
	1	56395450	1	Contactor 36v (K1 / Left Brush)		17	56510042	1	Sensor-Current (B1 / Brush)
	2	56409463	2	Clamp, 1.25 Hose Support		18	56510225	3	Clip-Delphi
	3	56416157	1	Relay,Spst (K14 / Safety)		19	56510259	1	Bus Bar-Ground
	4	56001836	4	Scr, Hex 1/4-20 X .62		20	56510285	2	Bus Bar-Contactor
	5	56001906	4	Wsh, Flt Std 1/4		21	2-00-00591	2	1/2-20 Hex Jam Nut
	6	56002539	4	Scr, Pan Phil Thd Form 6-32 X .31		22	56395450	1	Contactor 36v (K2 / Center Brush)
	7	56003585	2	Wsh-Flt .281x.875x.036		23	56395450	1	Contactor 36v (K3 / Right Brush)
	8	56009019	24	Scr, Hex Thd Form 1/4-20 X .38		24	56395450	1	Contactor 36v (K5 / Vac Motors)
	9	56009030	4	Scr, Pan Phil Thd Form 10-24 X .38		25	56395450	1	Contactor 36v (K6 / Dust Control)
	10	56009033	2	Scr, Hex Thd Form 1/4-20 X .50		26	56395450	1	Contactor 36v (K4 / Main Broom)
	11	56262531	1	Grommet		27	56397250	1	Solenoid-Spdt 36v (K11 / Hydraulic Pump)
	12	56303198	1	Contactor 36v, Type 4 (K7 / Wheel Drive)		28	56395450	1	Contactor 36v (K9 / Aux)
	13	56303298	2	Stud Type Junction Block		29	56395450	1	Contactor 36v (K10 / Steering)
	14	56397250	1	Solenoid-Spdt 36v (K12 / Hydraulic Pump)		30	56395450	1	Contactor 36v (K8 / Side Brooms)
	15	56460098	1	Relay,Dpdt (K15 / Aux)		31	56510042	1	Sensor-Current (B3 / Vac)
	16	56510041	1	Panel-Contactor		32	56510042	1	Sensor-Current (B2 / Broom)

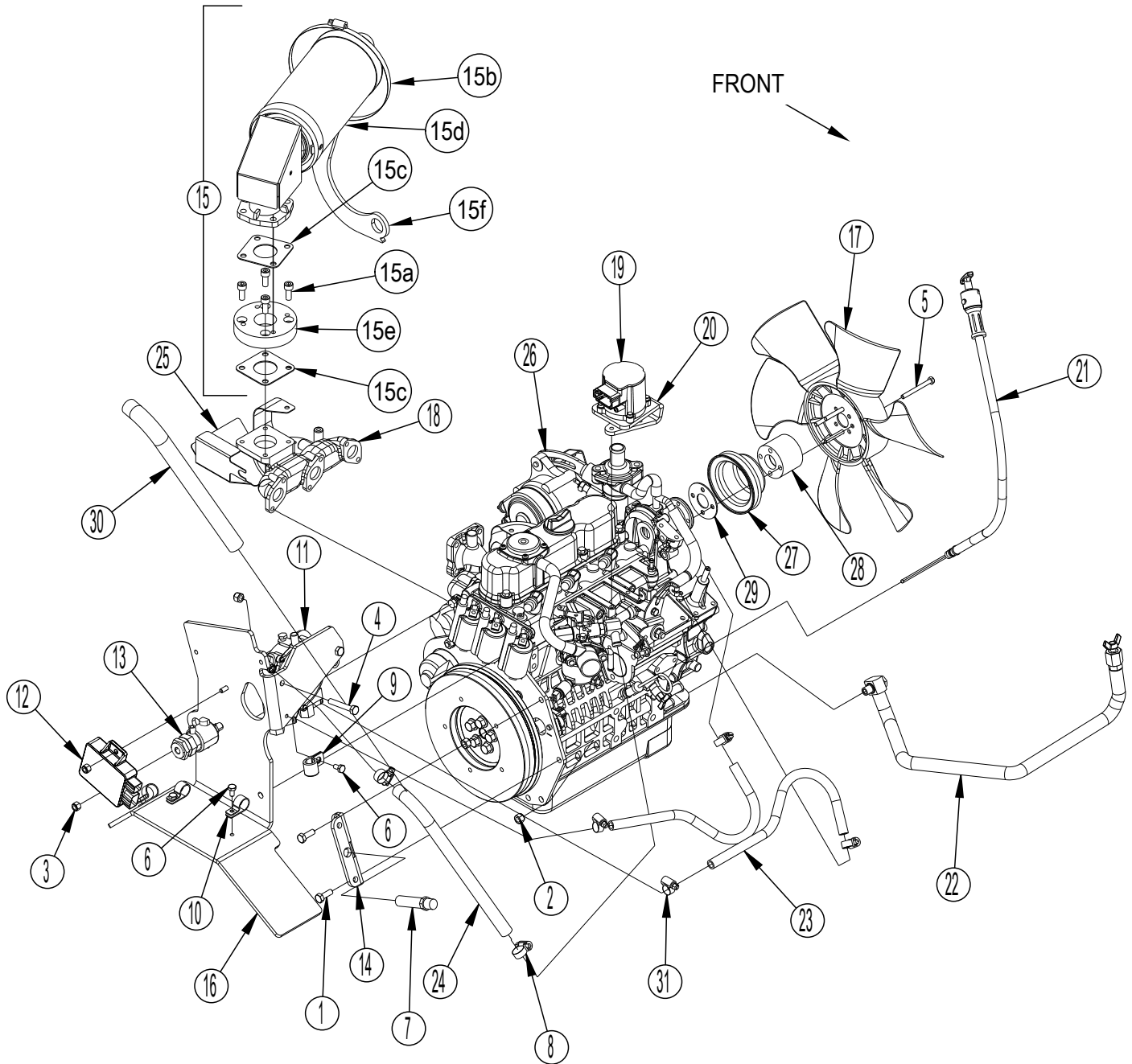


Kit	Item	Ref. No.	Qty	Description	Kit	Item	Ref. No.	Qty	Description
K2	1		2	Scr, Hex 5/16-18 X 1.25		36	56419300	4	Mount, Isolator, Stiff
K2	2		2	Scr, Hex 1/4-20 X .62		37	56440213	2	Clamp- Hose Sae #32
K2	3		3	Scr, Hex 1/4-20 X .50	K1	38		2	Clamp,Muffler 1.62
K2	4		1	Scr, Hex 3/8-16 X 1.25		39	56478461	1	Indicator,Service
K2	5		8	Wsh, Flt Sae 5/16		40	56482478	1	Cleaner, Air
K2	6		1	Wsh, Flt Sae #10		41	56482621	1	Band Assy
K2	7		2	Scr, Hex 5/16-18 X .88		44	56507868	1	Hose, Regulator To Engine
K2	8		26	Wsh, Flt Sae 3/8		45	56509422	1	Plate-Tank Guard
K2	9		6	Scr-Pan Phil 1/4-20 X .62		46		1	Lpg Engine Assy
K2	10		3	Scr, Hex 3/8-16 X 2.00		47	56509741	1	Cover Weldt
K2	11		11	Wsh, Flt Sae 1/4		48		1	Lp Fuel Tank Assy
K2	12		17	Scr, Hex 3/8-16 X .75		49	56510064	1	Bracket-Tank Support
K2	13		10	Scr, Hex 5/16-18 X 1.00		50	56510067	1	Cable Guard Weldt
K2	14		8	Scr, Hex 3/8-16 X 1.00		51	56510073	1	Guard Mnt Weldt
K2	15		8	Nut, Hex Nyl Loc 5/16-18		52	56510079	1	Blanket-Tailpipe Lpg
K2	16		2	Scr, Flt Phil 1/4-20 X .88		53	56510098	1	Tank Mnt Weldt
K2	17		1	Nut-Hex Nyl Loc 3/8-16		54	56510155	1	Bracket-Muffler
K2	18		4	Nut, Hex Nyl Loc-Thin 5/16-18		55	56510159	1	Air Cleaner Mnt Weldt
K2	19		5	Nut, Hex Nyl Loc-Thin 1/4-20	K1	56		1	Tailpipe-Lpg
K2	20		2	Scr, Pan Phil Plastite 10-14 X .62		57	56510180	1	Blanket-Muffler Lpg
K2	21		1	Scr, Hex Thd To Hd M10-1.5 X 20mm		58	56510245	1	Belt Removal Tool
K2	22		4	Wsh-Flt .438 X 1.625 X .190		59	56510284	1	Plate-Guard
K2	23		1	Scr-Carriage 3/8-16 X 2.50		60	56510297	1	Holddown-Battery
K2	24		1	Scr, Hex Thd Form 10-24 X .38		61	56510544	1	Silencer-Exhaust
K2	25		3	Scr, Hex Thd Form 1/4-20 X .50		62	56510545	1	Exhaust Pipe-Lpg
K2	26		1	Nut-Hex Jam 3/8-16		63	56510631	1	Shield-Heat
K2	27		2	Wsh, Flt .344 X .938 X .125		64	56510652	1	Shield-Heat-Muffler
	28	56110514	1	Skid		65	56510714	1	Foam Insulation
	29	56305443	1	Hose		66	56510716	1	Mount-Radiator Seal
	30	56323260	1	Clamp, Hose Support		67	56510730	1	Trim-Seal
	31	56329145	1	Clamp- Hose Sae #24	K1	68		1	Blanket-Tailpipe Only Lpg
	32	56343236	1	Clamp,Muffler 1.50		69	56756364	2	Clamp- Hose Sae #4
	33	56396199	1	Clamp, Plastic		70	2-00-05253	4	Clamp, 3/4" Wire, Double
	34	56410057	6	Bushing, .26 Id X .50 Od		71	7-07-02002	1	Overflow Bottle Assy
	35	56410223	1	Clamp, P					
					K1	56510794		1	Tailpipe Kit-LPG
					K2	56510795		1	Hardware Kit-Engine System LPG

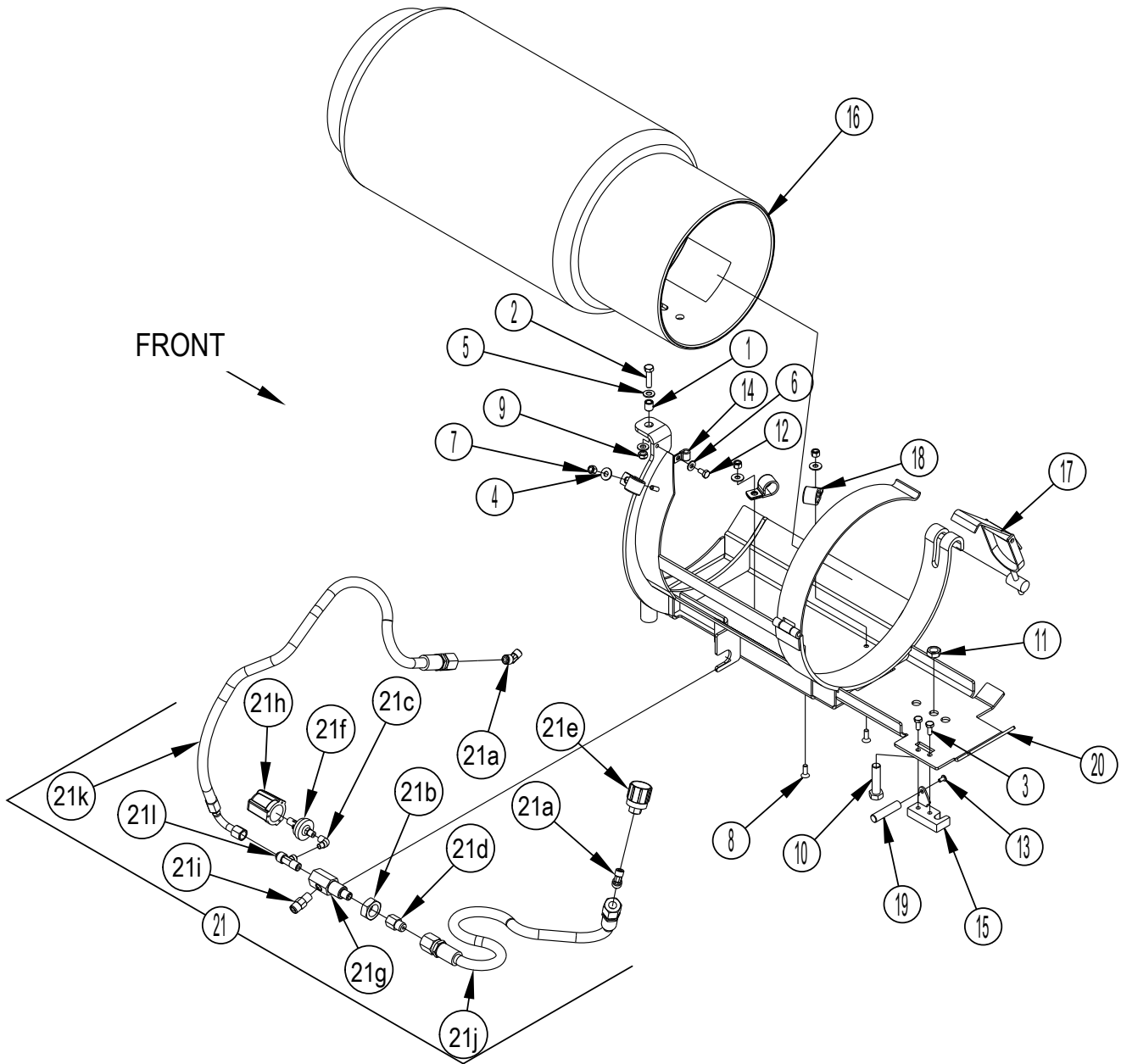


Kit	Item	Ref. No.	Qty	Description
	1	56756360	1	Barb,Hose Female
	2	56001879	3	Wsh-Flt Sae 1/2
	3	56001939	2	Wsh, Flt Sae 5/16
	4	56001968	2	Scr, Hex 1/2-13 X 1.50
	5	56002063	12	Wsh, Flt Sae 3/8
	6	56002098	11	Wsh, Flt Sae 1/4
	7	56002922	8	Scr,Hex Hd Loc 1/4-20x.62
	8	56003019	12	Scr-Hex M10-1.25 X 25mm
	9	56003155	2	Scr-Hex M6-1 X 12mm
	10	56003174	2	Scr, Hex Thd To Hd M6-1 X 16mm
	11	56003179	1	Scr, Hex Thd To Hd M8-1.25 X 20mm
	12	56003350	2	Nut, Hex M6-1
	13	56003352	1	Nut, Hex M8-1.25
	14	56003740	3	Scr, Hex Thd To Hd 1/2-13 X 2.00
	15	56009250	3	Scr, Hex Thd Form 1/4-20 X .62
	16	56244969	2	Clamp- Hose Sae #12
	17	56305428	1	Hose
	18	56412332	3	Clamp, Hose Support
	19	56413839	2	Clamp- Hose Sae #20
	20	56470138	1	Barb, 90 Elbow 1/4 X 1/4npt
	21	56478685	2	Mount, Rubber
	[22]	56504531	1	Harness-Ignition-Df-Wg972
	23	56507372	1	Isolator-Engine
	24	56507448	2	Washer, Isolator Tail
	25		1	Bracket, Upper Radiator Iso Mount
	26	56509210	1	Radiator
	27	56509442	1	Belt-3vx X 45.0
	28		1	Sheave-3v X 8.00
	29	56509345	1	Alternator Assy G1
	[]	56509501	1	Sheave-3V x 5.00 (for 56509345 in LPG)
	30		1	Eng/Alt Mnt Weldt
	31	56509809	1	Bracket-Radiator
	32		1	Lpg Engine Assy
	33		1	Tensioner Assy
	[]	56509923	1	Tensioner-Automatic (for Tensioner Assy)
	[]	56509715	1	Snap Ring (for Tensioner Assy)
	[]	56509716	1	Bearing (for Tensioner Assy)
	[]	56510854	1	Idler Pulley Kit (for Tensioner Assy)
	34	56510078	1	Hose-Air Cleaner
	35	56510090	1	Hose-Air Cleaner
	36	56510128	1	Hose-Radiator
	37	56510129	1	Hose-Radiator
	[38]	56510369	1	Harness-Kubota Df972
	39	56510484	1	Fan Guard Assy-Lpg
	40	56510718	2	Isolator-Relay Box
	41	56740136	1	Plug, Pipe
	42	2-00-06532	5	Hhc, M8 X 1.25 X 40mm

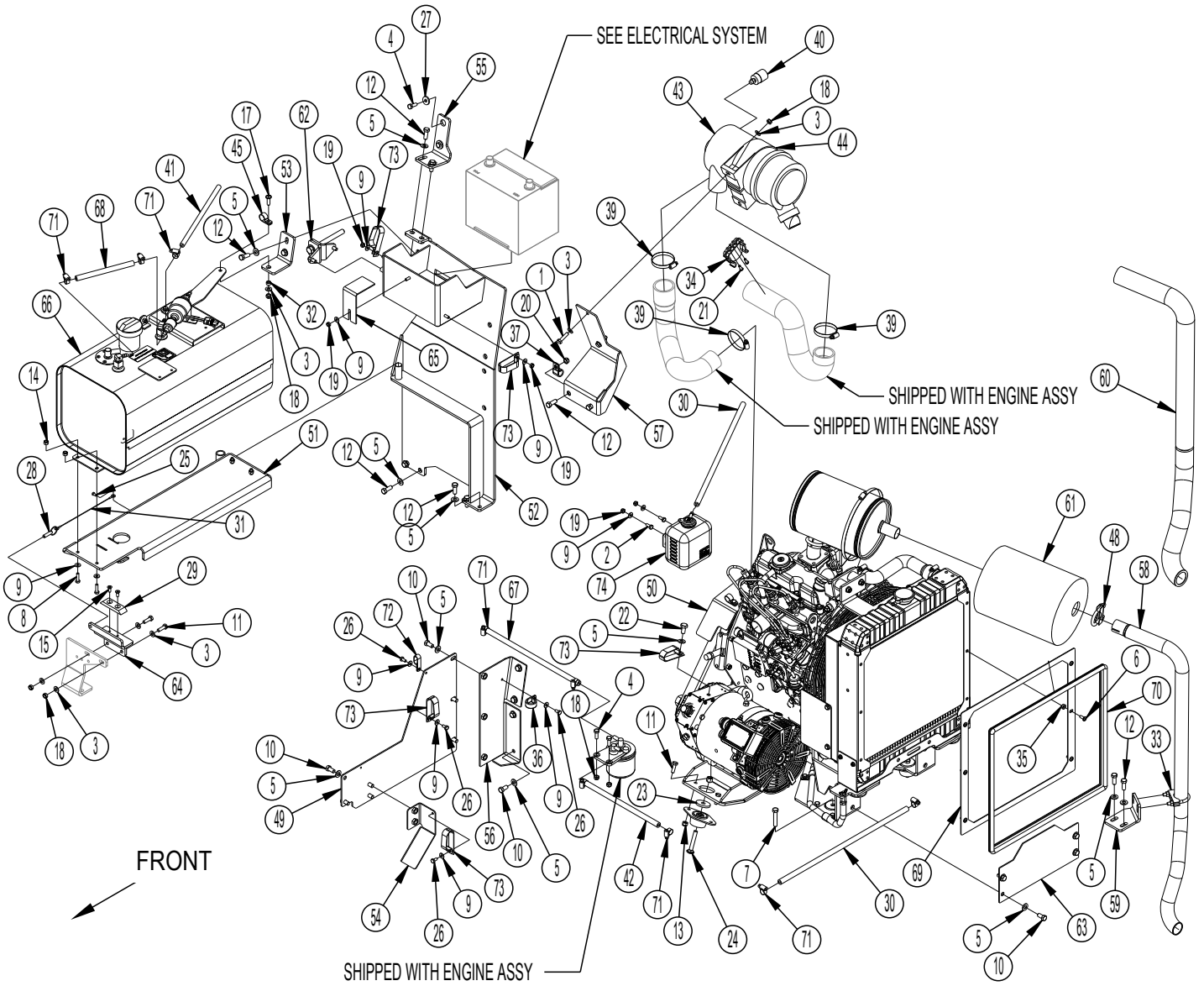
[] = Not Shown



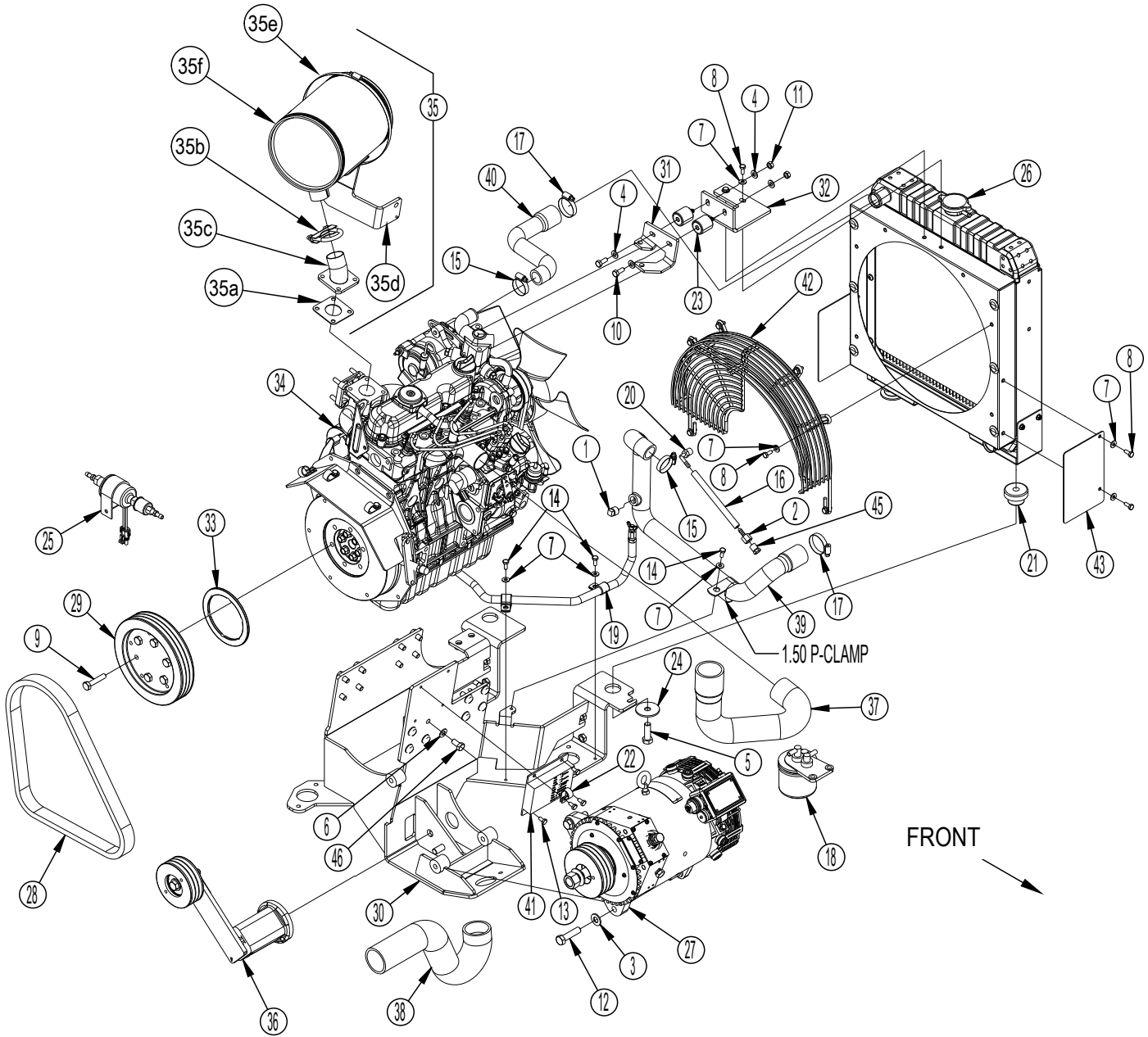
Kit	Item	Ref. No.	Qty	Description		Engine Replacement Parts
	1	56002037	2	Scr, Hex 5/16-18 X .88	[]	56510535 1 Engine Lp (Ref)
	2	56002701	4	Nut, Hex Nyl Loc 5/16-18	[]	56508454 1 Thermostat Kit
	3	56002708	2	Nut, Hex Nyl Loc 1/4-20	[]	56510185 1 Governor-Controller
	4	56002721	2	Scr, Hex 5/16-18 X 2.00	[]	56510152 1 Harness-Engine Interface
	5	56003169	4	Scr-Hex M6-1 X 60mm	[]	56510369 1 Harness-Kubota Df972
	6	56009033	4	Scr, Hex Thd Form 1/4-20 X .50	[]	56504531 1 Harness-Ignition-Df-Wg972
	7	56111319	1	Speed Sensor	[]	56508455 1 Plug Wire/Coil Kit (3 Wires & 3 Caps)
	8	56219932	2	Clamp- Hose Sae #6	[]	56380493 1 Spark Plug Wire Kit- Cyl #1
	9	56419120	1	Clamp, Hose Support	[]	56380494 1 Spark Plug Wire Kit- Cyl #2
	10	56486112	3	Clamp-P	[]	56380495 1 Spark Plug Wire Kit- Cyl #3
	11	56507725	1	Nikki Regulator Vaporizer Assembly	[]	56508456 3 Spark Plug
	12	56508445	1	Spark Controller	[]	56507994 1 Lp Lockoff (Includes Filter)
	13	56507994	1	Lp Lockoff	[]	0775-295 1 Alternator W/Pulley (40 Amp)
	14	56509853	1	Bracket-Mag Pickup	[]	56508440 1 Starter Motor
	15		1	Lpg Exhaust Assy	[]	56419091 1 Switch, Temp
K1	15a		4	Scr-Soc Hd M8-1.25 X 20 Mm	[]	56508457 1 Water Pump Assy
	15b	56355488	1	Clamp- Hose Sae #96	[]	56508458 1 Oil Filter Cartridge
K1	15c		2	Exhaust Gasket	[]	56510299 1 Dipstick-Df972
	15d	56510163	1	Muffler-Cat	[]	56508459 1 Gasket, Exhaust (Exhaust Manifold)
	15e	56510166	1	Spacer-Exhaust	[]	56419090 1 Oil Pressure Switch
	15f	56510177	1	Bracket-Support	[]	56510163 1 Muffler-Cat
	16		1	Coil Mount Weldt	[]	56510629 1 Belt, Fan/Alternator
	17	56510140	1	Fan-Cooling	[]	56510128 1 Hose-Radiator (Upper)
	18		1	Manifold-Exhaust	[]	56510129 1 Hose-Radiator (Lower)
	19	56510185	1	Governor-Controller	[]	56510078 1 Hose-Air Cleaner (Air Cleaner To Intake)
	20		1	Bracket-Governor Mnt	[]	56510090 1 Hose-Air Cleaner (Air Cleaner Inlet)
	21		1	Dipstick Assy		
	22	56510200	1	Remote Oil Drain Assy	K1	56510791 1 Exhaust Gasket Kit (includes four Hex Head Bolts not shown)
	23	56510319	2	Hose-Vaporizer		
	24	56510320	1	Hose-Fuel	[] = Not Shown	
	25	56510349	1	Shield-Heat		
	26	56510535	1	Engine-Kubota Df972 T3		
	27	56510552	1	Pulley-Fan		
	28	56510553	1	Spacer-Fan		
	29	56510554	1	Spacer-Pulley		
	30	56510558	1	Conduit-Fuel Hose		
	31	56756364	4	Clamp- Hose Sae #4		



Kit	Item	Ref. No.	Qty	Description
K2	1		1	Bushing
K2	2		1	Scr, Hex 5/16-18 X 1.25
K2	3		2	Scr, Hex 1/4-20 X .62
K2	4		3	Wsh, Flt Std 1/4
K2	5		2	Wsh, Flt Sae 5/16
K2	6		1	Wsh, Flt Sae 1/4
K2	7		3	Nut, Hex Nyl Loc 1/4-20
K2	8		2	Scr, Flt Phil 1/4-20 X .75
K2	9		1	Nut, Hex Nyl Loc-Thin 5/16-18
K2	10		1	Scr, Hex Thd To Hd 1/2-13 X 2.00
K2	11		1	Nut, Hex Jam 1/2-13
K2	12		1	Scr, Hex Thd Form 1/4-20 X .50
K1,K2	13		1	Scr, Pan Phil Loc 10-24 X .38
	14	56323260	1	Clamp, Hose Support
K1	15		1	Latch, Rh
	16	56456590	1	L.P. Tank, 33lb.
	17	56481997	1	Toggle
	18	56496276	3	Clamp, Hose Support
K1	19		1	Pin
	20	56509746	1	Fuel Tank Mt Weldt-P
	21	56510095	1	LP Filter Assembly
	21a	56456598	2	Elbow,45 Male 45 Flared
	21b	56002615	1	Nut, Hex Jam 7/8-14
	21c	56111309	1	Elbow, 90 Street
	21d	56305505	1	Adapter-Sae 45 Deg.
	21e	56369675	1	Coupler-Female
	21f	56418381	1	Switch-N.C. Pressure S11
	21g	56418934	1	Fitting-Bulkhead
	21h	56419241	1	Dust Boot
	21i	56456624	1	Vent-1/4 Npt
	21j	56510298	1	Lpg Hose Assy
	21k	56510579	1	Lpg Hose Assy
	21l	56900921	1	Tee 1/4 Npt X 1/8 Npt X 3/8 Jic
K1	56510798		1	Latch Kit-LPG Tank Assy
K2	56510799		1	Hardware Kit-LPG Tank Assy

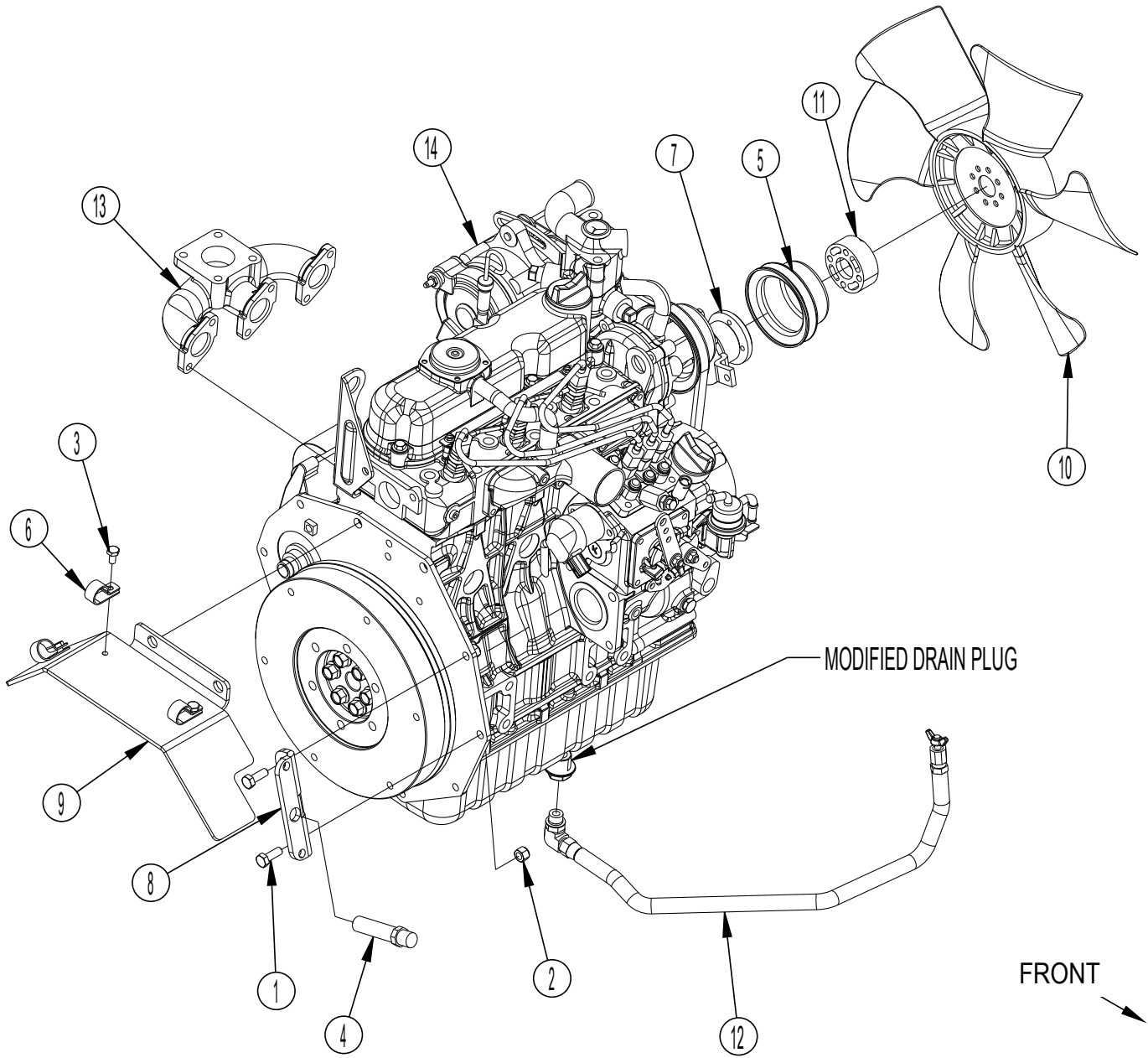


Kit	Item	Ref. No.	Qty	Description	Kit	Item	Ref. No.	Qty	Description
K1	1		2	Scr, Hex 5/16-18 X 1.25	33		56343236	1	Clamp,Muffler 1.50
K1	2		2	Scr, Hex 1/4-20 X .62	34		56396199	1	Clamp, Plastic
K1	3		9	Wsh, Flt Sae 5/16	35		56410057	6	Bushing, .26 Id X .50 Od
K1	4		4	Scr, Hex 5/16-18 X .88	36		56410223	1	Clamp, P
K1	5		26	Wsh, Flt Sae 3/8	37		56419120	1	Clamp, Hose Support
K1	6		6	Scr-Pan Phil 1/4-20 X .62	38		56419300	4	Mount, Isolator, Stiff
K1	7		3	Scr, Hex 3/8-16 X 2.00	39		56440213	3	Clamp- Hose Sae #32
K1	8		4	Scr, Hex 1/4-20 X 1.00	40		56478461	1	Indicator,Service
K1	9		13	Wsh, Flt Sae 1/4	41		56478488	1	Hose-Fuel
K1	10		15	Scr, Hex 3/8-16 X .75	42		56481686	1	Hose-Fuel Line
K1	11		10	Scr, Hex 5/16-18 X 1.00	43		56482478	1	Cleaner, Air
K1	12		12	Scr, Hex 3/8-16 X 1.00	44		56482621	1	Band Assy
K1	13		8	Nut, Hex Nyl Loc 5/16-18	45		56486112	1	Clamp-P
K1	14		4	Nut, Hex Nyl Loc 1/4-20	48		56508391	1	Clamp, Muffler
K1	15		2	Scr, Flt Phil 1/4-20 X .62	49		56509422	1	Plate-Tank Guard
K1	16		1	Nut-Hex Nyl Loc 3/8-16	50			1	Diesel Engine Assy
K1	17		1	Scr-Pan Phil 5/16-18 X 1.00	51		56509774	1	Tank Pivot Weldt
K1	18		7	Nut, Hex Nyl Loc-Thin 5/16-18	52		56509778	1	Fuel Tank Support Weldt
K1	19		5	Nut, Hex Nyl Loc-Thin 1/4-20	53		56509790	1	Bracket-Tank Pivot
K1	20		1	Nut, Hex Nyl Loc-Thin 3/8-16	54		56509986	1	Cable Bracket Weldt
K1	21		2	Scr, Pan Phil Plastite 10-14 X .62	55		56510064	1	Bracket-Tank Support
K1	22		1	Scr, Hex Thd To Hd M10-1.5 X 20mm	56		56510073	1	Guard Mnt Weldt
K1	23		4	Wsh-Flt .438 X 1.625 X .190	57		56510159	1	Air Cleaner Mnt Weldt
K1	24		1	Scr-Carriage 3/8-16 X 2.50	58		56510167	1	Tailpipe-Diesel
K1	25		1	Scr, Hex Thd Form 10-24 X .38	59		56510169	1	Bracket-Tailpipe
K1	26		4	Scr, Hex Thd Form 1/4-20 X .50	60		56510181	1	Blanket-Tailpipe Diesel
K1	27		2	Wsh, Flt .344 X .938 X .125	61		56510182	1	Blanket-Muffler Diesel
	28	56050356	1	Pin Quickrlse--.312dia .625l	62		56510245	1	Belt Removal Tool
	29	56110514	1	Skid	63		56510284	1	Plate-Guard
	30	56305443	2	Hose	64		56510295	1	Mount Weldt
	31	56314400	1	Wire Rope, 9 Inch	65		56510297	1	Holddown-Battery
	32	56320595	1	Bushing .32x.50x.28	66		56510493	1	Tank-Diesel Assy
					67		56510628	1	Hose-Fuel
					68		56510630	1	Hose-Fuel
					69		56510716	1	Mount-Radiator Seal
					70		56510730	1	Trim-Seal
					71		56756364	9	Clamp- Hose Sae #4
					72		2-00-04603	1	Clamp-Hose (Double) 1/2 O.D.
					73		2-00-05253	5	Clamp, 3/4" Wire, Double
					74		7-07-02002	1	Overflow Bottle Assy
					K1		56510797	1	Hardware Kit-Engine System Diesel



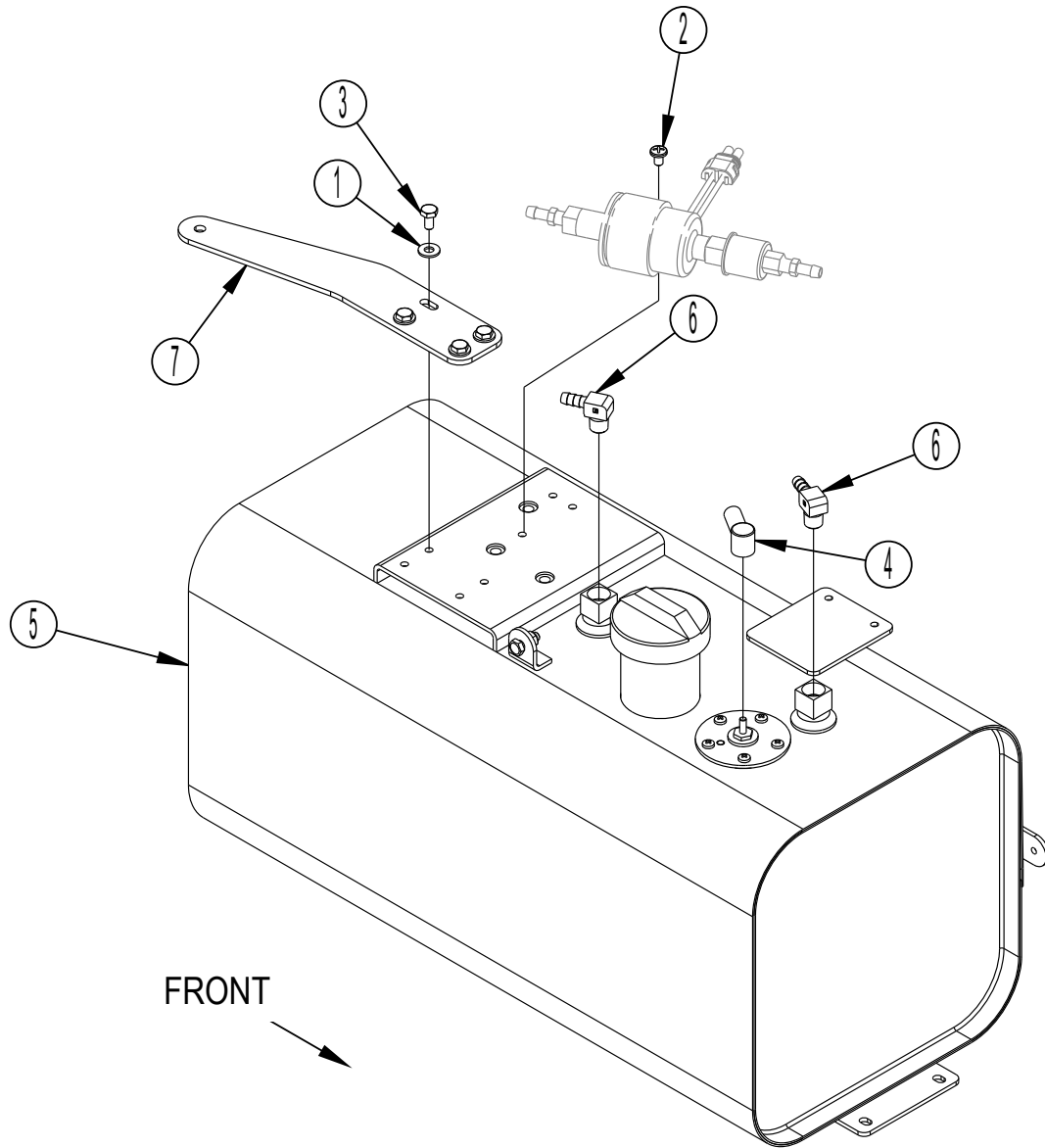
Kit	Item	Ref. No.	Qty	Description
	1	56744580	1	Plug, Npt 3/8 Brass
	2	56756360	1	Barb,Hose Female
	3	56001879	3	Wsh-Flt Sae 1/2
	4	56001939	4	Wsh, Flt Sae 5/16
	5	56001968	2	Scr, Hex 1/2-13 X 1.50
	6	56002063	16	Wsh, Flt Sae 3/8
	7	56002098	15	Wsh, Flt Sae 1/4
	8	56002922	12	Scr,Hex Hd Loc 1/4-20x.62
	9	56003021	6	Scr-Hex M10-1.25 X 50mm
	10	56003179	2	Scr, Hex Thd To Hd M8-1.25 X 20mm
	11	56003352	2	Nut, Hex M8-1.25
	12	56003740	3	Scr, Hex Thd To Hd 1/2-13 X 2.00
	13	56009033	4	Scr, Hex Thd Form 1/4-20 X .50
	14	56009250	3	Scr, Hex Thd Form 1/4-20 X .62
	15	56131601	2	Clamp- Hose Sae #16
	16	56305428	1	Hose
	17	56413839	2	Clamp- Hose Sae #20
	18	56419054	1	Fuel Filter Kit
	19	56419120	2	Clamp, Hose Support
	20	56470138	1	Barb, 90 Elbow 1/4 X 1/4npt
	21	56478685	2	Mount, Rubber
	22	56486112	1	Clamp-P
	23	56507372	2	Isolator-Engine
	24	56507448	2	Washer, Isolator Tail
	25	56508355	1	Fuel Pump, Electronic
	26	56509210	1	Radiator
	27	56509345	1	Alternator Assy G1
	[]	56509441	1	Sheave-3V x 4.50 (for 56509345 in diesel)
	28	56509442	1	Belt-3vx X 45.0
	29		1	Sheave-3v X 8.00
	30		1	Eng/Alt Mnt Weldt
	31	56509510	1	Bracket-Diesel Radiator
	32	56509514	1	Bracket-Radiator
	33		1	Plate-Spacer
	34		1	Diesel Engine Assy
	35		1	Diesel Exhaust Assy
	35a	56419107	1	Exhaust Gasket
	35b	56456833	1	Clamp,Muffler 1.62
	35c	56510170	1	Exhaust Pipe Weldt
	35d	56510172	1	Muffler Support Weldt
	36e	56510206	1	Clamp- Hose Sae #128
	35f	7-49-00038	1	Muffler
	36		1	Tensioner Assy
	[]	56509923	1	Tensioner-Automatic (for Tensioner Assy)
	[]	56509715	1	Snap Ring (for Tensioner Assy)
	[]	56509716	1	Bearing (for Tensioner Assy)
	[]	56510854	1	Idler Pulley Kit (for Tensioner Assy)
	37	56510077	1	Hose-Air Cleaner
	38	56510090	1	Hose-Air Cleaner
	39	56510126	1	Hose-Radiator
	40	56510127	1	Hose-Radiator
	41	56510350	1	Governor-Controller
	42	56510485	1	Fan Guard Assy-Diesel
	43	56510497	2	Guard-Plate
	[44]	56510600	1	Harness-Kubota Diesel
	45	56740136	1	Plug, Pipe
	46	2-00-05958	16	Hhc, M10 X 1.25 X 20mm

[] = Not Shown



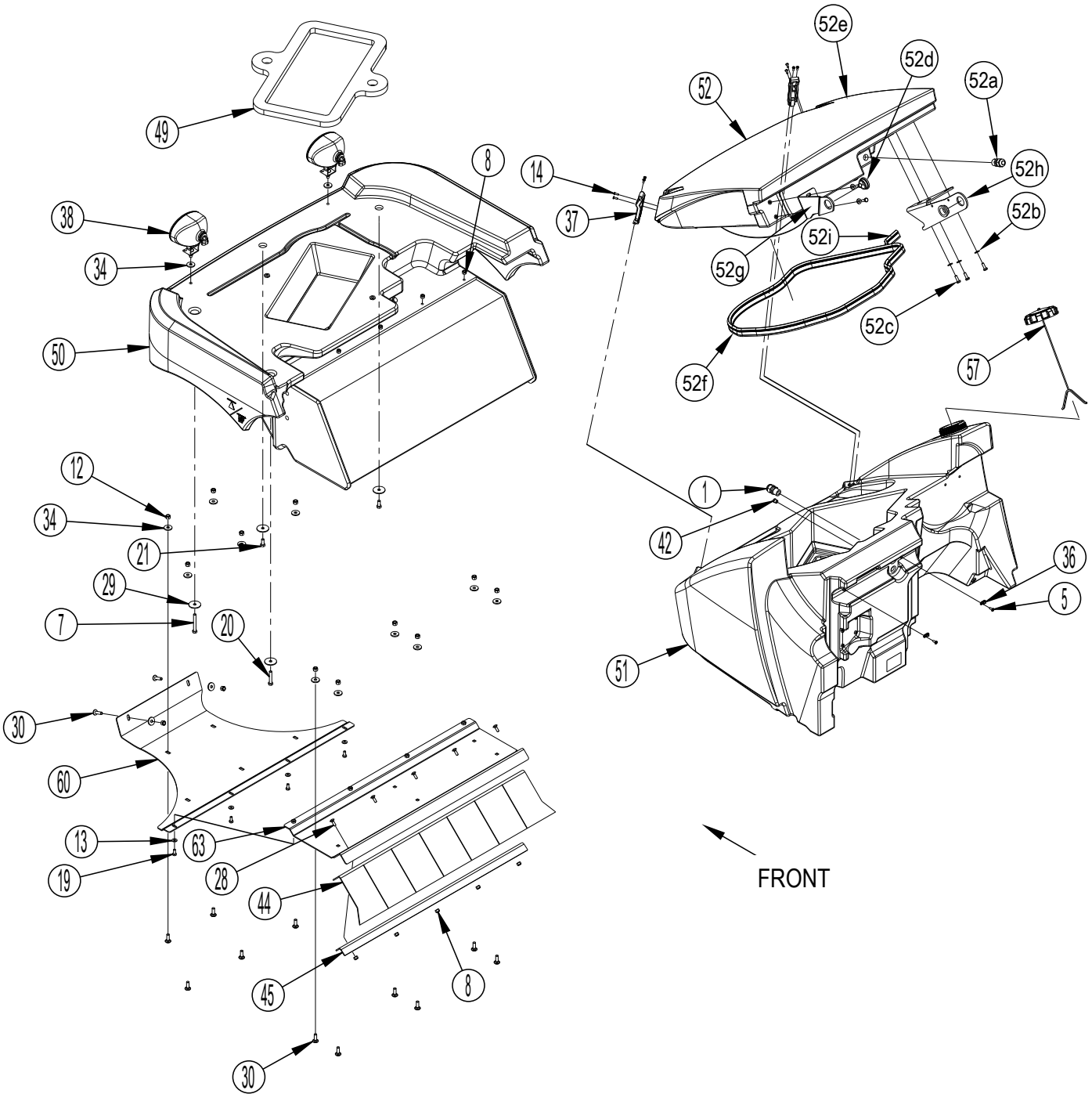
Kit	Item	Ref. No.	Qty	Description
	1	56002037	2	Scr, Hex 5/16-18 X .88
	2	56002701	2	Nut, Hex Nyl Loc 5/16-18
	3	56009033	3	Scr, Hex Thd Form 1/4-20 X .50
	4	56111319	1	Speed Sensor
	5	56307249	1	Pulley, Fan (89mm)
	6	56486112	3	Clamp-P
	7	56504477	1	Kit, Low Fan Kub1505
	8	56509853	1	Bracket-Mag Pickup
	9		1	Plate-Guard
	10	56510140	1	Fan-Cooling
	11	56510149	1	Spacer-Fan
	12	56510205	1	Remote Oil Drain Assy
	13		1	Manifold-Exhaust
	14	56510208	1	Engine-Kubota D1305
				Engine Replacement Parts
	[]	56510208	1	Engine-Kubota D1305
	[]	56510385	1	Alternator-40 Amp
	[]	56419086	1	Fuel Filter Cartridge
	[]	56482659	1	Oil Filter Cartridge
	[]	56419084	1	Alternator Belt
	[]	56419087	1	Fan Belt
	[]	56510388	1	Thermostat Kit
	[]	56419089	1	Starter Motor
	[]	56508444	1	Oil Pressure Switch
	[]	56419091	1	Temp Switch
	[]	56508490	1	Throttle/Shut Down Assembly
	[]	56510350	1	Governor-Controller
	[]	56510152	1	Harness-Engine Interface
	[]	56111319	1	Speed Sensor
	[]	56510126	1	Hose-Radiator (Lower)
	[]	56510127	1	Hose-Radiator (Upper)
	[]	56510205	1	Drain Hose Assy
	[]	56508355	1	Fuel Pump, Eletronic
	[]	56419307	1	Strainer, Fuel
	[]	56510077	1	Hose-Air Cleaner (Air Cleaner To Intake)
	[]	56510090	1	Hose-Air Cleaner (Air Cleaner Inlet)

[] = Not Shown



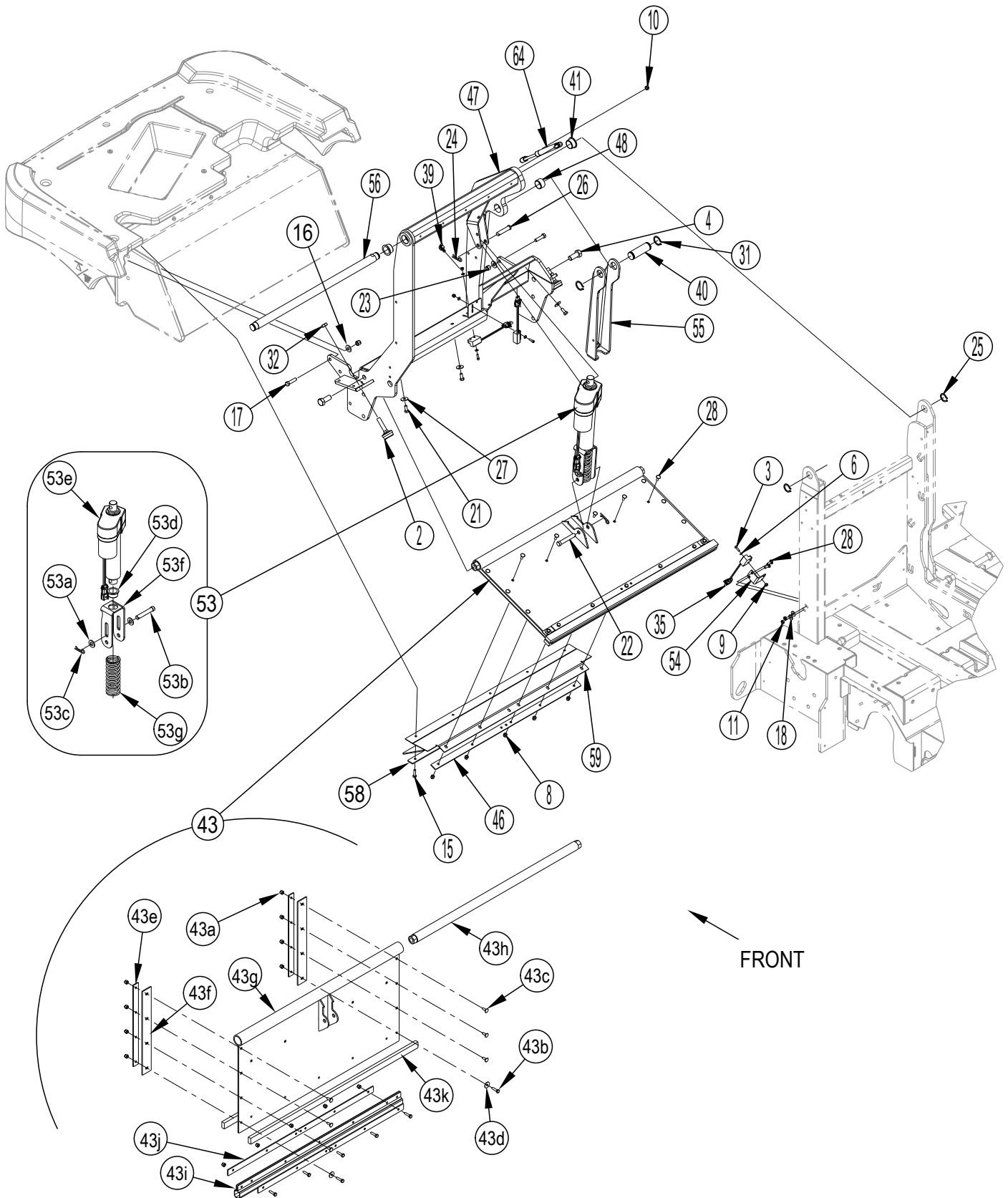
Kit	Item	Ref. No.	Qty	Description
	1	56002098	4	Wsh, Flt Sae 1/4
	2	56003603	1	Scr, Pan Phil Thd Form 1/4-20 X .38
	3	56009033	4	Scr, Hex Thd Form 1/4-20 X .50
	4	56492305	1	Boot, Rubber
	5	56510433	1	Fuel Tank Weldment
	6	56510495	2	Barb-90 Elbow 5/16 X 1/4npt
	7	56510496	1	Bracket-Tank Support
	[]	56508354	1	Fuel Cap
	[]	56510613	1	Sender-Fuel Level S12
	[]	56510614	1	Tube-Fuel Fuel Withdraw
	[]	56510615	1	Tube-Fuel Return

[] = Not Shown



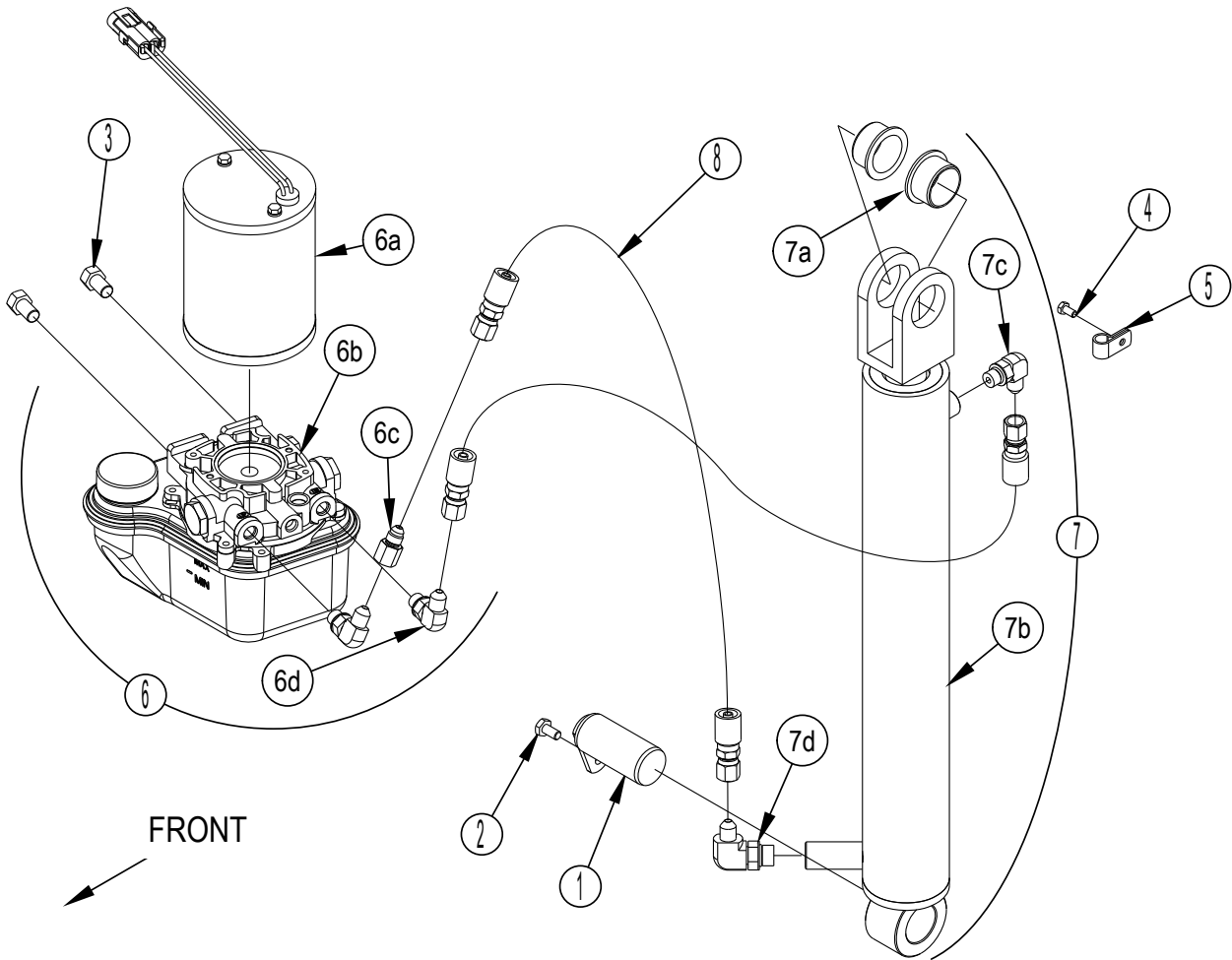
Kit	Item	Ref. No.	Qty	Description	Kit	Item	Ref. No.	Qty	Description
	1	56323135	1	Strain Relief		43a	56002491	13	Nut, Hex Nyl Loc Ss 1/4-20
	2	56449221	2	Bumper, 1.43 Dia		43b	56002883	7	Scr- Hex Ss 1/4-20 X 1.00
K4	3		3	Scr, Soc Hd 10-24 X 0.62		43c	56003715	6	Scr-Carriage Ss 1/4-20 X .75
K4	4		2	Scr, Hex 5/8-11 X 1.50		43d	56009002	2	Wsh, Flt .266 X .906 X .060
K4	5		2	Scr-Pan Phil 10-24 X .50		43e	56507177	2	Clamp, Hopper Door Side
K4	6		5	Wsh, Flt Sae #8		43f	56507178	2	Seal, Hopper Door Side
K4	7		1	Scr, Hex 5/16-18 X 2.50		43g	56509133	1	Hopper Door Weldt
K3	8		15	Nut, Hex Nyl Loc Ss 1/4-20		43h	56509141	1	Dump Door Pivot Weldt
K4	9		3	Nut, Hex Nyl Loc 10-24		43i	56509144	1	Seal-Hopper Door Bottom
K4	10		1	Nut, Hex Nyl Loc-Thin 5/16-18		43j	56509145	2	Clamp-Hopper Door Bottom
K4	11		2	Nut, Hex Nyl Loc-Thin Ss 1/4-20		43k	56509146	2	Seal-Hopper Door Bottom
K2	12		13	Nut, Hex Nyl Loc Ss 5/16-18	K3	44		1	Flap-Hopper
K2	13		4	Wsh-Flt Sae Ss 1/4	K3	45		1	Clamp-Hopper Flap
K1,K4	14		8	Scr, Pan Phil Ss 8-32 X .50	K5	46		1	Clamp-Hopper Door Bottom
	15	56002883	5	Scr- Hex Ss 1/4-20 X 1.00		47	56509388	1	Hopper Lift Weldment
K4	16		4	Wsh, Flt Std Ss 3/8		48	56509398	1	Bearing-Slv 1.125x1.281x0.750
K4	17		4	Scr- Hex Ss 3/8-16 X 1.50		49	56509399	1	Seal-Hopper
K4	18		2	Wsh, Flt Std Ss 1/4		50	56509400	1	Hopper-Lower
K2	19		4	Scr-Hex Loc Ss 1/4-20 X .62		51	56509401	1	Hopper-Upper
K4	20		1	Scr, Hex 5/16-18 X 1.75	K1	52		1	Hopper Cover Assy
K4	21		5	Scr- Hex Ss 5/16-18 X .75	K1	52a		1	Strain Relief
K4	22		1	Pin,Clevis .500 X 3.00	K1	52b		5	Wsh, Flt Sae 1/4
K4	23		4	Nut, Hex Nyl Loc Ss 3/8-16	K1	52c		5	Scr, Hex 1/4-20 X .75
K4	24		2	Pin, Cotter Hair	K1	52d		2	Bearing, Fl 1 Id X 1-1/4 Od X 1/2 L
K4	25		2	Ring, Ret Ext 1.00 Shaft	K1	52e		1	Cover-Hopper
K4	26		1	Clevis Pin	K1	52f		1	Seal - Hopper Cover
K4	27		3	Wsh-Flt Ss .33 X 1.00 X.060	K1	52g		1	Hinge-Hopper Cover Lt
K3,K4	28		12	Scr-Carriage Ss 1/4-20 X .75	K1	52h		1	Hinge-Hopper Cover Rt
K4	29		4	Wsh-Flt Ss .344 X 1.500 X .080	K1	52i		1	Seal-Hopper Cover
K2	30		13	Scr-Carriage Ss 5/16-18 X 1.00		53	56509413	1	Dump Door Actuator Assy
K4	31		2	Ring, Ret Ext 1.125 Shaft		53a	56001879	2	Wsh-Flt Sae 1/2
K4	32		2	Nut, Hex Jam 1/2-13		53b	56003191	1	Pin,Clevis .500 X 3.00
K2,K4	34		15	Wsh-Flt Ss .344 X 1.000 X .109		53c	56003222	1	Pin, Cotter Hair
	35	56305053	3	Sensor, Proximity S3 / S7 / S8		53d	56507941	1	Bearing, Flange 1.125 X 1.281 X .750
	36	56469854	2	Tie Anchor		53e	56509414	1	Actuator-Dump Door M26
K1	37		2	Latch		53f	56509415	1	Yoke-Dump Door Actuator
	38	56507223	2	Head Light Assembly (LT2 / LT3)		53g	56509417	1	Spring-Compression E00453
	[]	56507224	1	Bulb-Halogen (for 56507223)		54	56509553	1	Bracket-Sensor Mounting
	39	56507793	1	Clip, Conduit		55	56509798	1	Prop Rod Assy
	40	56507885	1	Pin,Cylinder		56	56509989	1	Bar-Hopper Hinge
	41	56507941	2	Bearing, Flange 1.125 X 1.281 X .750		57	56510148	1	Cap-Vented W/ Tether
	42	56509079	1	Plug - Pipe 1/8 Npt Plastic	K5	58		1	Clamp-Hopper Door Seal
	43	56509139	1	Dump Door Assy	K5	59		1	Seal-Hopper Door
					K2	60		1	Plate-Hopper Skid
					K2	63		1	Hopper Skid Weldt
						64	56510713	1	Spring-Gas
					K1	56510793		1	Hopper Cover Kit
					K2	56510796		1	Skid Plate Kit-Hopper
					K3	56510800		1	Hopper Flap Kit
					K4	56510802		1	Hardware Kit-Hopper System
					K5	56510801		1	Hopper Door Seal Kit

[] = Not Shown



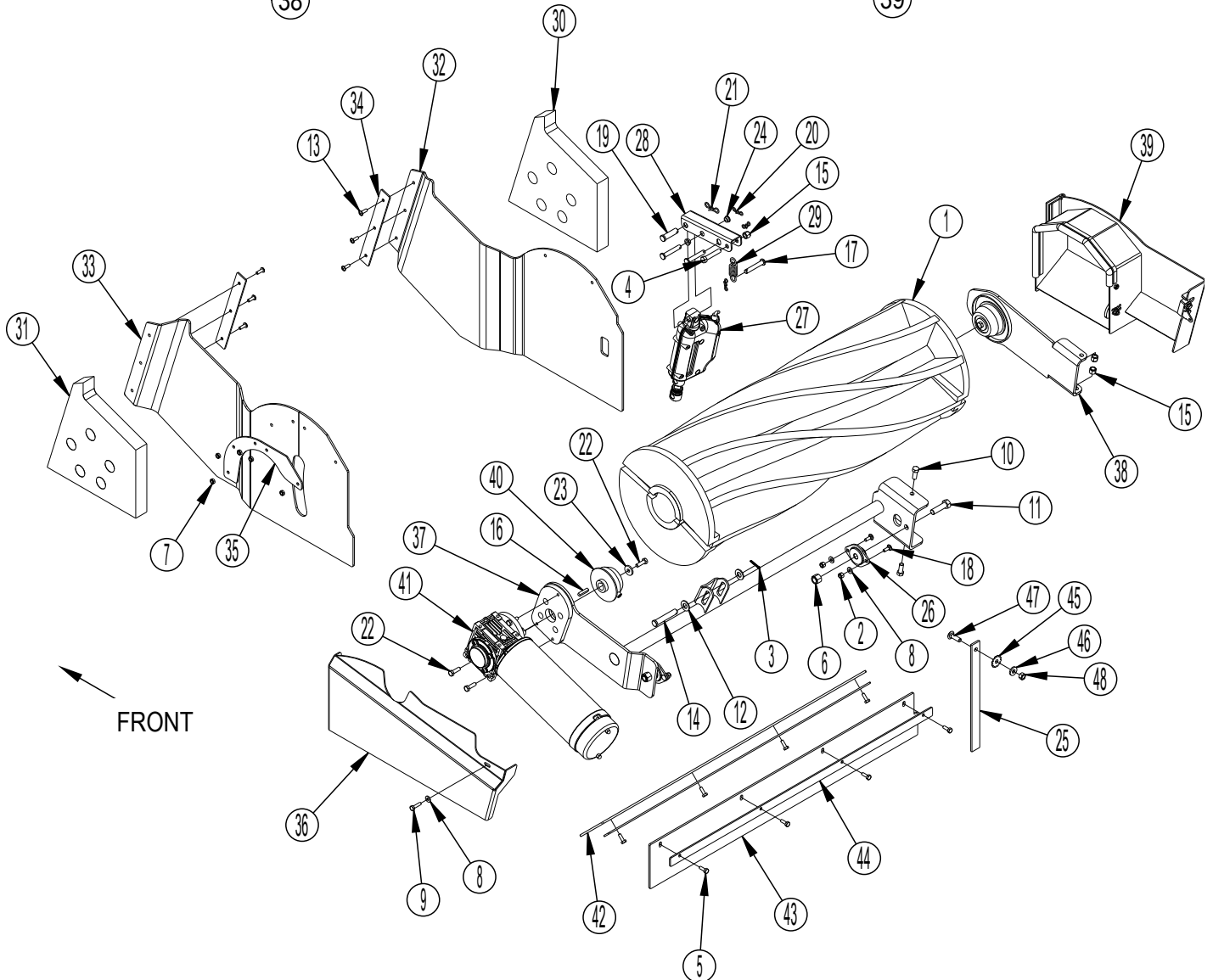
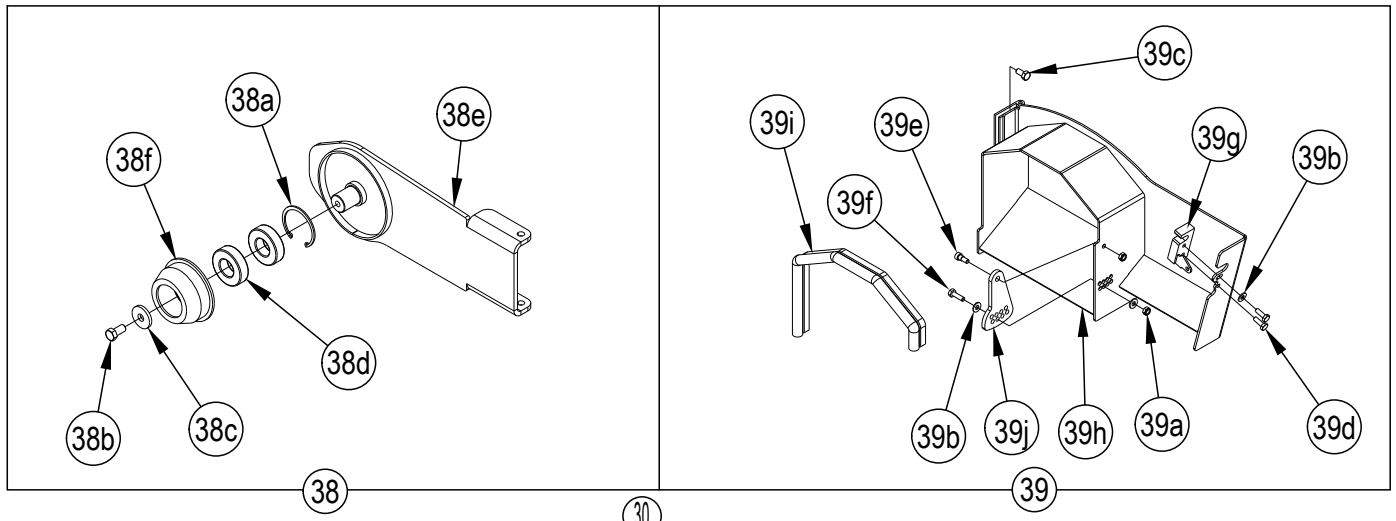
Kit	Item	Ref. No.	Qty	Description	Kit	Item	Ref. No.	Qty	Description
	1	56323135	1	Strain Relief		43a	56002491	13	Nut, Hex Nyl Loc Ss 1/4-20
	2	56449221	2	Bumper, 1.43 Dia		43b	56002883	7	Scr- Hex Ss 1/4-20 X 1.00
K4	3		3	Scr, Soc Hd 10-24 X 0.62		43c	56003715	6	Scr-Carriage Ss 1/4-20 X .75
K4	4		2	Scr, Hex 5/8-11 X 1.50		43d	56009002	2	Wsh, Flt .266 X .906 X .060
K4	5		2	Scr-Pan Phil 10-24 X .50		43e	56507177	2	Clamp, Hopper Door Side
K4	6		5	Wsh, Flt Sae #8		43f	56507178	2	Seal, Hopper Door Side
K4	7		1	Scr, Hex 5/16-18 X 2.50		43g	56509133	1	Hopper Door Weldt
K3	8		15	Nut, Hex Nyl Loc Ss 1/4-20		43h	56509141	1	Dump Door Pivot Weldt
K4	9		3	Nut, Hex Nyl Loc 10-24		43i	56509144	1	Seal-Hopper Door Bottom
K4	10		1	Nut, Hex Nyl Loc-Thin 5/16-18		43j	56509145	2	Clamp-Hopper Door Bottom
K4	11		2	Nut, Hex Nyl Loc-Thin Ss 1/4-20		43k	56509146	2	Seal-Hopper Door Bottom
K2	12		13	Nut, Hex Nyl Loc Ss 5/16-18	K3	44		1	Flap-Hopper
K2	13		4	Wsh-Flt Sae Ss 1/4	K3	45		1	Clamp-Hopper Flap
K1,K4	14		8	Scr, Pan Phil Ss 8-32 X .50	K5	46		1	Clamp-Hopper Door Bottom
	15	56002883	5	Scr- Hex Ss 1/4-20 X 1.00		47	56509388	1	Hopper Lift Weldment
K4	16		4	Wsh, Flt Std Ss 3/8		48	56509398	1	Bearing-Slv 1.125x1.281x0.750
K4	17		4	Scr- Hex Ss 3/8-16 X 1.50		49	56509399	1	Seal-Hopper
K4	18		2	Wsh, Flt Std Ss 1/4		50	56509400	1	Hopper-Lower
K2	19		4	Scr-Hex Loc Ss 1/4-20 X .62		51	56509401	1	Hopper-Upper
K4	20		1	Scr, Hex 5/16-18 X 1.75	K1	52		1	Hopper Cover Assy
K4	21		5	Scr- Hex Ss 5/16-18 X .75	K1	52a		1	Strain Relief
K4	22		1	Pin,Clevis .500 X 3.00	K1	52b		5	Wsh, Flt Sae 1/4
K4	23		4	Nut, Hex Nyl Loc Ss 3/8-16	K1	52c		5	Scr, Hex 1/4-20 X .75
K4	24		2	Pin, Cotter Hair	K1	52d		2	Bearing, Fl 1 Id X 1-1/4 Od X 1/2 L
K4	25		2	Ring, Ret Ext 1.00 Shaft	K1	52e		1	Cover-Hopper
K4	26		1	Clevis Pin	K1	52f		1	Seal - Hopper Cover
K4	27		3	Wsh-Flt Ss .33 X 1.00 X.060	K1	52g		1	Hinge-Hopper Cover Lt
K3,K4	28		12	Scr-Carriage Ss 1/4-20 X .75	K1	52h		1	Hinge-Hopper Cover Rt
K4	29		4	Wsh-Flt Ss .344 X 1.500 X .080	K1	52i		1	Seal-Hopper Cover
K2	30		13	Scr-Carriage Ss 5/16-18 X 1.00		53	56509413	1	Dump Door Actuator Assy
K4	31		2	Ring, Ret Ext 1.125 Shaft		53a	56001879	2	Wsh-Flt Sae 1/2
K4	32		2	Nut, Hex Jam 1/2-13		53b	56003191	1	Pin,Clevis .500 X 3.00
K2,K4	34		15	Wsh-Flt Ss .344 X 1.000 X .109		53c	56003222	1	Pin, Cotter Hair
	35	56305053	3	Sensor, Proximity S3 / S7 / S8		53d	56507941	1	Bearing, Flange 1.125 X 1.281 X .750
	36	56469854	2	Tie Anchor		53e	56509414	1	Actuator-Dump Door M26
K1	37		2	Latch		53f	56509415	1	Yoke-Dump Door Actuator
	38	56507223	2	Head Light Assembly (LT2 / LT3)		53g	56509417	1	Spring-Compression E00453
	[]	56507224	1	Bulb-Halogen (for 56507223)		54	56509553	1	Bracket-Sensor Mounting
	39	56507793	1	Clip, Conduit		55	56509798	1	Prop Rod Assy
	40	56507885	1	Pin,Cylinder		56	56509989	1	Bar-Hopper Hinge
	41	56507941	2	Bearing, Flange 1.125 X 1.281 X .750		57	56510148	1	Cap-Vented W/ Tether
	42	56509079	1	Plug - Pipe 1/8 Npt Plastic	K5	58		1	Clamp-Hopper Door Seal
	43	56509139	1	Dump Door Assy	K5	59		1	Seal-Hopper Door
					K2	60		1	Plate-Hopper Skid
					K2	63		1	Hopper Skid Weldt
						64	56510713	1	Spring-Gas
					K1	56510793		1	Hopper Cover Kit
					K2	56510796		1	Skid Plate Kit-Hopper
					K3	56510800		1	Hopper Flap Kit
					K4	56510802		1	Hardware Kit-Hopper System
					K5	56510801		1	Hopper Door Seal Kit

[] = Not Shown



Kit	Item	Ref. No.	Qty	Description
	1	56416308	1	Left Hinge Pin Weldt
	2	56003039	1	Scr,Hex Hd Loc 1/4-20x.50
	3	56003040	2	Scr,Hex Hd Loc 3/8-16x.62
	4	56009012	1	Scr, Hex Thd Form 10-24 X .38
	5	56172017	1	Clamp-P
	6	56509372	1	Hydraulic Power Pack Assy
	6a	56509373	1	Motor 36v 0.55hp M10
	6b	56509374	1	Hydraulic Pump/Reservoir Assy
	[]	56509383	1	Hydraulic Reservoir Kit (for 56509374)
	[]	56509375	1	Cap-Hyd Reservoir (for 56509374)
	[]	56325157	1	O-Ring (for 56509374)
	6c	56510682	1	Fitting-Orifice
	6d	56900101	2	Elbow, 90 O-Ring
	7		1	Hopper Lift Cylinder Assy
	7a	56507941	2	Bearing, Flange 1.125 X 1.281 X .750
	7b	56509377	1	Cylinder-Hydraulic 2.00 X 13.06
	[]	56509381	1	Seal Kit (for 56509377)
	7c	56900101	1	Elbow, 90 O-Ring
	7d	56900110	1	Elbow, 90 O-Ring
	8	56509382	2	Hose Assy

[] = Not Shown

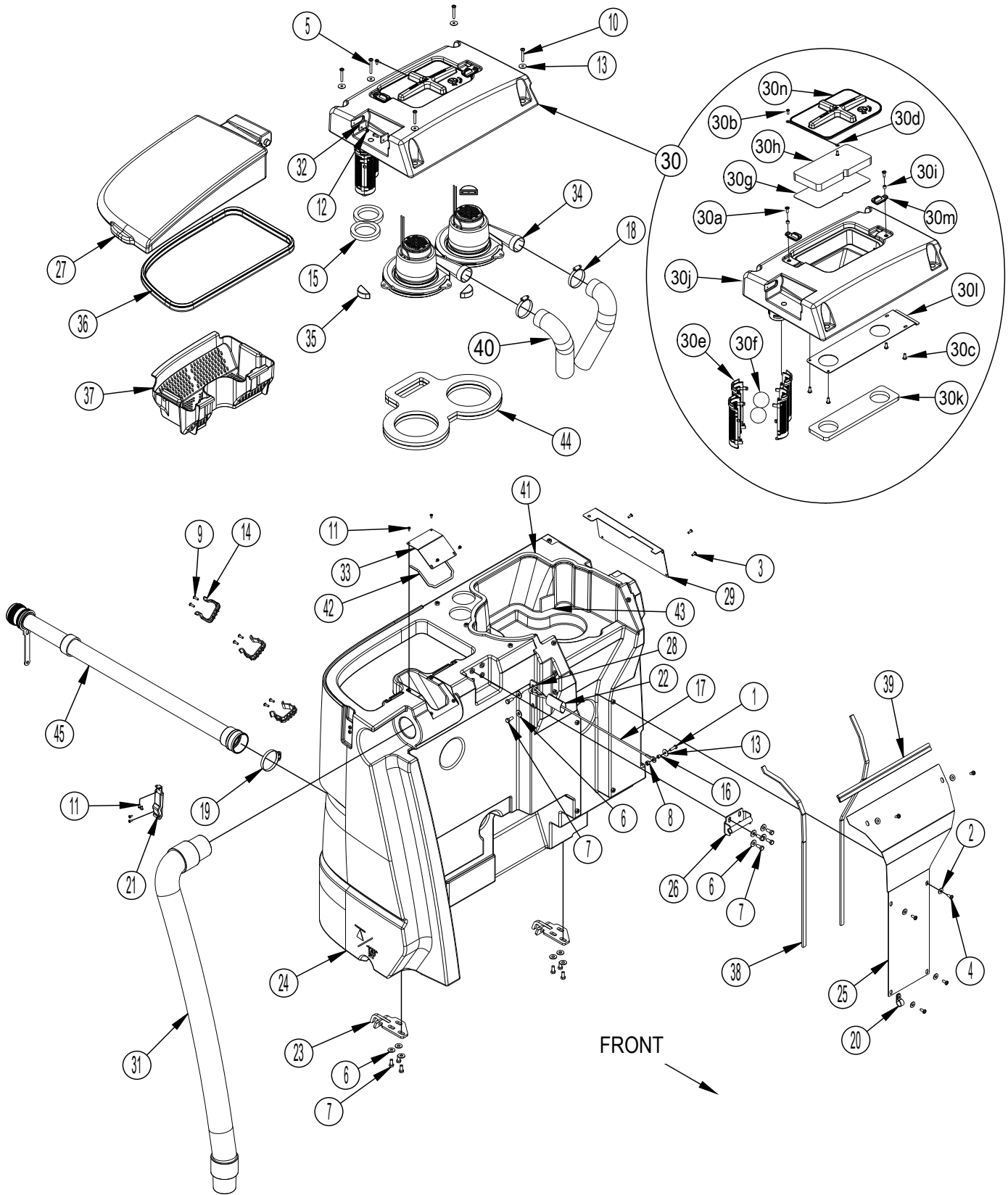


MAIN BROOM SYSTEM

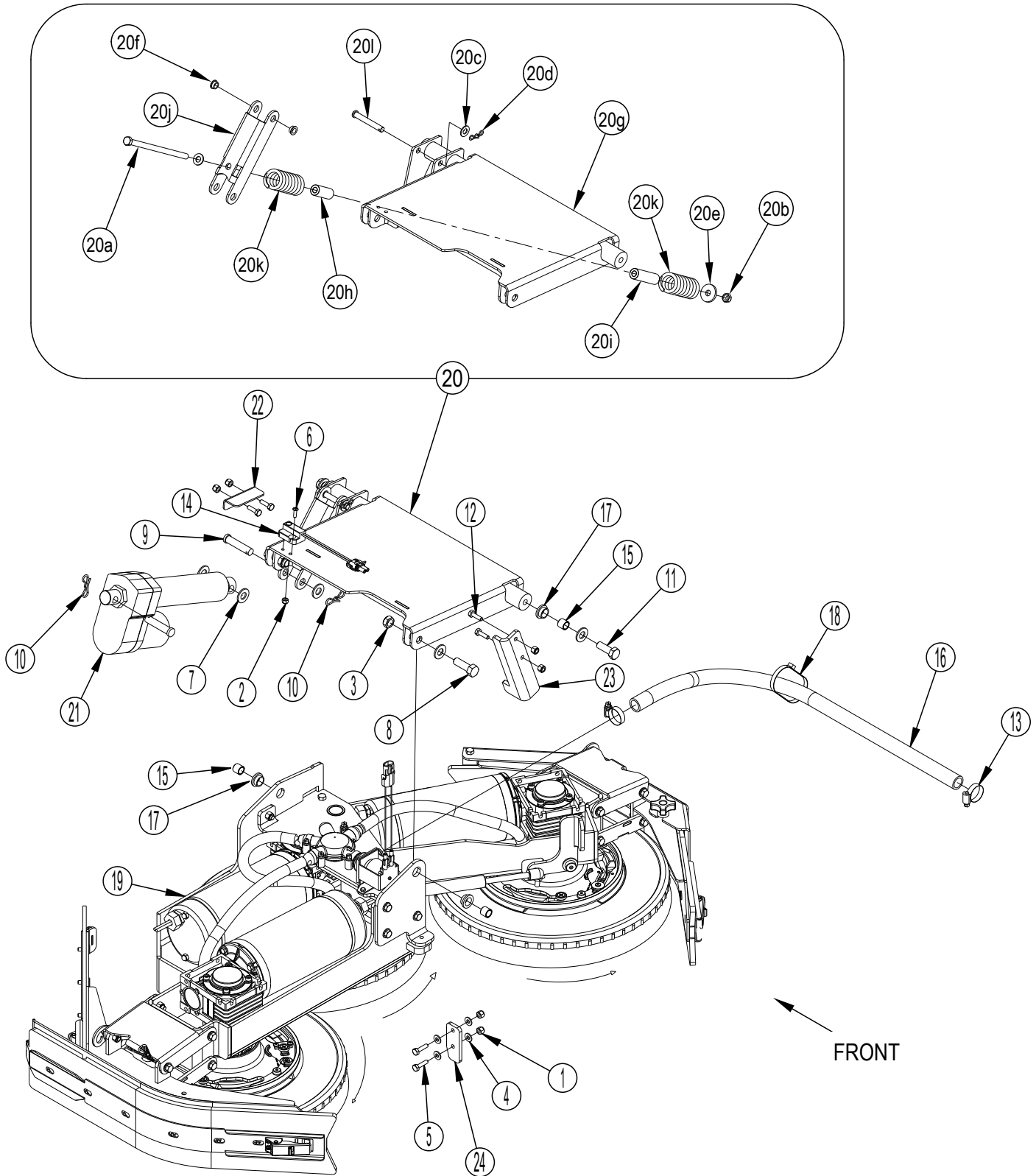
CS7000

Kit	Item	Ref. No.	Qty	Description	Kit	Item	Ref. No.	Qty	Description
	1	33018858	1	Main Broom Spiral		38	56509606	1	Broom Arm Assembly
K6	2		4	Nut, Hex Nyl Loc Ss 1/4-20		38a	56003314	1	Ring, Retainer
K6	3		1	Pin, Cotter 1/8 X 1		38b	56003338	1	Scr-Hex Loc Ss 3/8-16 X .75
K5	4		1	Scr- Hex Ss 3/8-16 X 2.00		38c	56009195	1	Wsh-Fit .406 X 1.25 X .164
K1	5		8	Scr- Hex Ss 1/4-20 X .75		38d	56479430	2	Bearing Ball
K6	6		2	Nut, Hex Nyl Loc Ss 1/2-13		38e	56509602	1	Broom Arm Weldment
K7	7		5	Nut, Hex Nyl Loc-Thin Ss 1/4-20		38f	56509726	1	Hub-Broom Idler
K6,K7	8		5	Wsh-Fit Sae Ss 1/4		39	56509607	1	Broom Door Assembly
K7	9		1	Scr- Hex Ss 1/4-20 X 1.00		39a	56002850	2	Nut, Hex Nyl Loc-Thin Ss 1/4-20
K6	10		2	Scr- Hex Ss 3/8-16 X 1.00		39b	56002859	3	Wsh-Fit Sae Ss 1/4
K6	11		2	Scr- Hex Ss 1/2-13 X 1.75		39c	56002937	3	Scr-Hex Loc Ss 5/16-18 X .62
K6	12		2	Wsh-Fit Sae Ss 1/2		39d	56003221	2	Scr-Hex Loc Ss 1/4-20 X .75
K4	13		6	Scr, Pan Phil Ss 1/4-20 X .75		39e	56003717	1	Scr, Soc Shd .31 X .25 X 1/4-20
K6	14		1	Pin-Clevis .50 X 2.75		39f	56003844	1	Scr- Hex Ss 1/4-20 X .88
K5,K7	15		3	Nut, Hex Nyl Loc Ss 3/8-16		39g	56413802	1	Latch, Rh
K6,K7	16		1	Key, Sq .25 X 1.19		39h	56509608	1	Broom Door Weldment
K5	17		3	Pin-Clevis .375 X 2.25		39i	56509612	1	Seal-Broom Door
K6	18		4	Scr-Carriage Ss 1/4-20 X .75		39j	56509754	1	Arm-Stop
K5	19		1	Pin-Clevis .50 X 1.75	K6	40		1	Hub-Broom Drive Assembly
K5	20		3	Pin- Bow-Tie Cotter 1/4 - 3/8	K2	41		1	Broom Motor Assembly M1
K5	21		1	Pin- Bow-Tie Cotter 7/16 - 1/2	K3	[]	56510765	1	Brush Kit-Motor (for Broom Motor Assembly)
K2,K6	22		4	Scr-Hex Loc Ss 5/16-18 X 1.00	K1	42		1	Flap-Broom Recirc
K7	22		1	Scr-Hex Loc Ss 5/16-18 X 1.00	K1	43		1	Skirt-Broom Rear
K6,K7	23		1	Wsh, Flt Harden .344x1.000x.120/.135	K1	44		2	Strap-Broom Rear
K5	24		2	Bearing, Flange	K7	45		1	Lock Washer, 3/8 Int./Ext. Tooth
	25	56416517	1	Strap,Static, 12.5"	K7	46		1	Flat Washer, 1.00 X .39 X .06
K6	26		2	Bearing	K7	47		1	3/8-16 X 1.0", Carriage Bolt
K5	27		1	Actuator-Broom Lift M21	K7	48		1	Nut, Hex, Stop, 3/8-16
K5	28		1	Arm-Spring					Main Brooms
K5	29		1	Spring-Extension			33018858	1	Main Broom Spiral
K4	30		1	Foam-Right Skirt	*		33018856	1	Broom-Main Nylon
K4	31		1	Foam-Left Skirt	*		33018857	1	Broom-Main Prolene
K4	32		1	Skirt-Right	*		33018859	1	Broom-Main Union Mix / Natural
K4	33		1	Skirt-Left					
K4	34		2	Strap-Skirt					
	35	56509520	1	Strap-Left Skirt	K1	56510739		1	Strap Kit-Broom Rear
	36	56509525	1	Panel Weldment	K2	56510740		1	Motor Kit-Broom
K6	37		1	Broom Support Weldment	K3	56510765		1	Brush Kit-Motor (for Broom Motor Assembly)
					K4	56510741		1	Skirt Kit-Broom
					K5	56510803		1	Actuator Kit-Main Broom
					K6	56510804		1	Support Kit-Main Broom
					K7	56510805		1	Hardware Kit-Main Broom

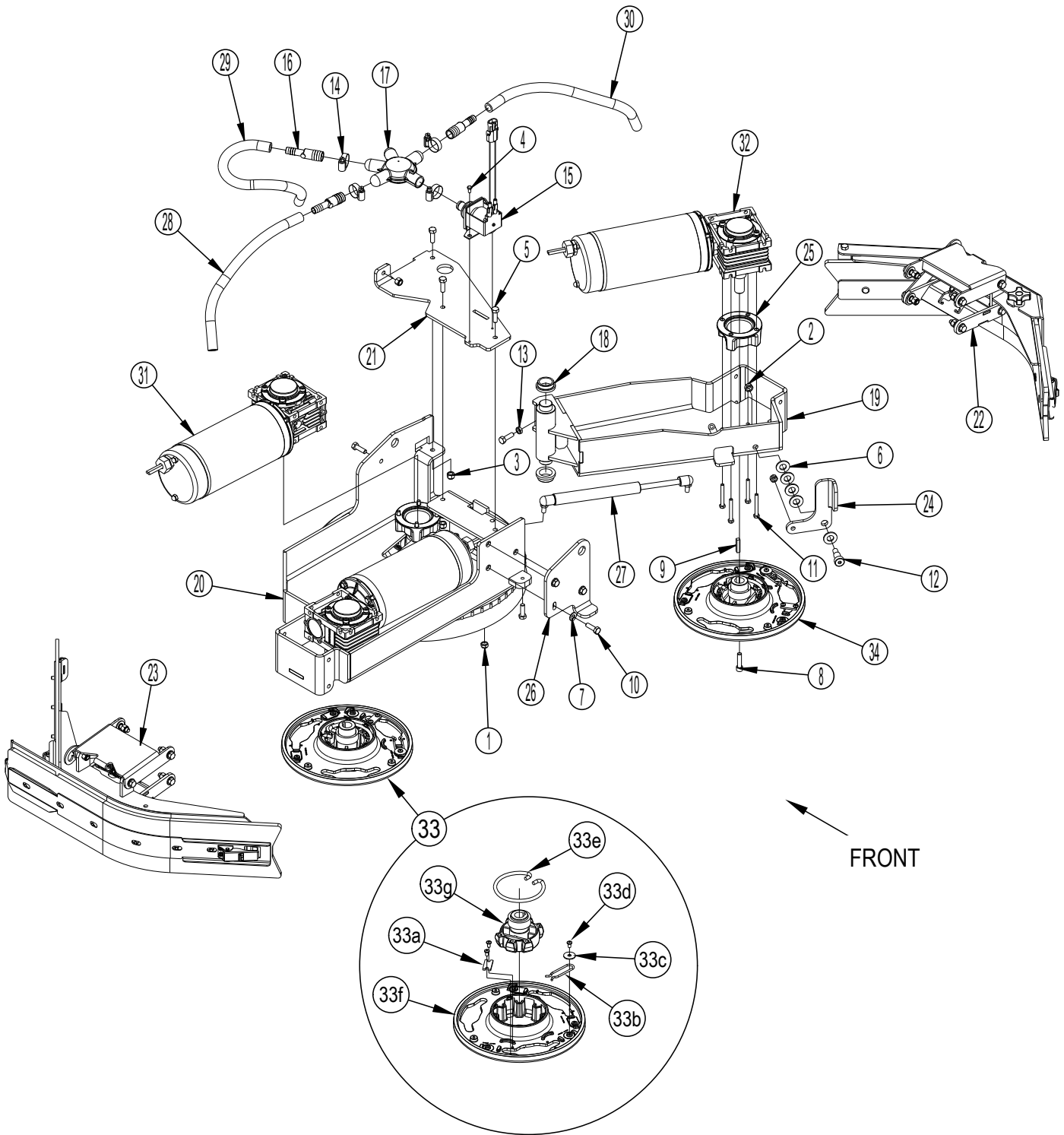
* = Optional, Not Included
 [] = Not Shown



Kit	Item	Ref. No.	Qty	Description	Kit	Item	Ref. No.	Qty	Description
K5	1		1	Scr, Hex 1/4-20 X .88		30		1	Vac Fan Cover Assy
K5	2		6	Wsh, Flt Std 1/4		30a	56003213	2	Scr-Pan Phil Blk 1/4-20 X .62
K5	3		3	Scr-Pan Phil 10-24 X .50		30b	56009191	2	Scr, Pan Phil Plastite 10-14 X .50
K5	4		6	Scr-Pan Phil 1/4-20 X .62		30c	56009210	4	Scr, Pan Phil Type B 1/4-14 X .62
K5	5		1	Scr-Pan Phil 1/4-20 X 2.00		30d	56314400	1	Wire Rope, 9 Inch
K5	6		12	Wsh, Flt Std 5/16	K2	30e		4	Cage, Float
K5	7		12	Scr, Hex 5/16-18 X .75	K2	30f		2	Ball, Float
K5	8		1	Nut, Hex Nyl Loc 1/4-20		30g	56413194	1	Screen, Filter
K4	9		6	Scr, Pan Phil Ss 10-24 X .62		30h	56413195	1	Filter
K5	10		4	Scr-Pan Phil 1/4-20 X 1.75		30i	56453849	2	Bushing .26x.37x.28
K5	11		8	Scr, Pan Phil Ss 8-32 X .38		30j	56509201	1	Cover-Vac Fan
K5	12		2	Scr-Hex Ss 10 X .75 Type A		30k	56509352	1	Gasket - Vac Fan Top
K5	13		6	Wsh, Flt .266 X .906 X .060		30l	56509353	1	Plate - Vac Cover
K4	14		3	Clamp, Plastic		30m	56510695	2	Latch-Plastic
	15	56314760	2	Gasket, Vacuum Duct		30n	56510701	1	Lid Assy-Vac Filter
	16	56368989	1	Bushing		31	56509985	1	Hose-Squeegee
	17	56413723	1	Cable Assembly		32	56510143	2	Tab-Hinge
	18	56440213	2	Clamp- Hose Sae #32		33	56510189	1	Plate-Inlet
K3	19		1	Clamp- Hose Sae #36		34	56510209	2	Motor-Vac-36vdc M6 / M7
	20	56486112	1	Clamp-P		35	56510231	4	Mount-Isolator
	21	56507188	1	Latch	K1	36	56510232	1	Gasket-Recovery Cover
	22	56508774	1	Shrink Tube .75 X 2.5		37	56510611	1	Debris Basket
	23	56509165	2	Tank Pivot Weldt		38	56510674	2	Gasket-Cover
	24	56509194	1	Tank-Recovery		39	56510676	1	Trim-Seal
	25	56509285	1	Exhaust Cover		40	56510677	2	Foam Tube Assy
	26	56509304	1	Latch Pin Weldment		41	56510678	1	Gasket-Tank
K1	27	56509350	1	Cover - Recovery Tank		42	56510679	1	Gasket-Inlet Plate
	28	56509355	1	Tether Hook		43	56510686	5	Isolator-Foam
	29	56509364	1	Plate-Cover		44	56510689	1	Seal Assy-Vac Fan
					K3	45	56601406	1	Drain Hose
						K1	56510580	1	Lid Kit-Rec
						K2	56510583	1	Float Ball Cage Kit
						K3	56510585	1	Hose Kit-Rec Drain
						K4	56510586	1	Clip Kit-Drain Hose
						K5	56510820	1	Hardware Kit-Rec Sys

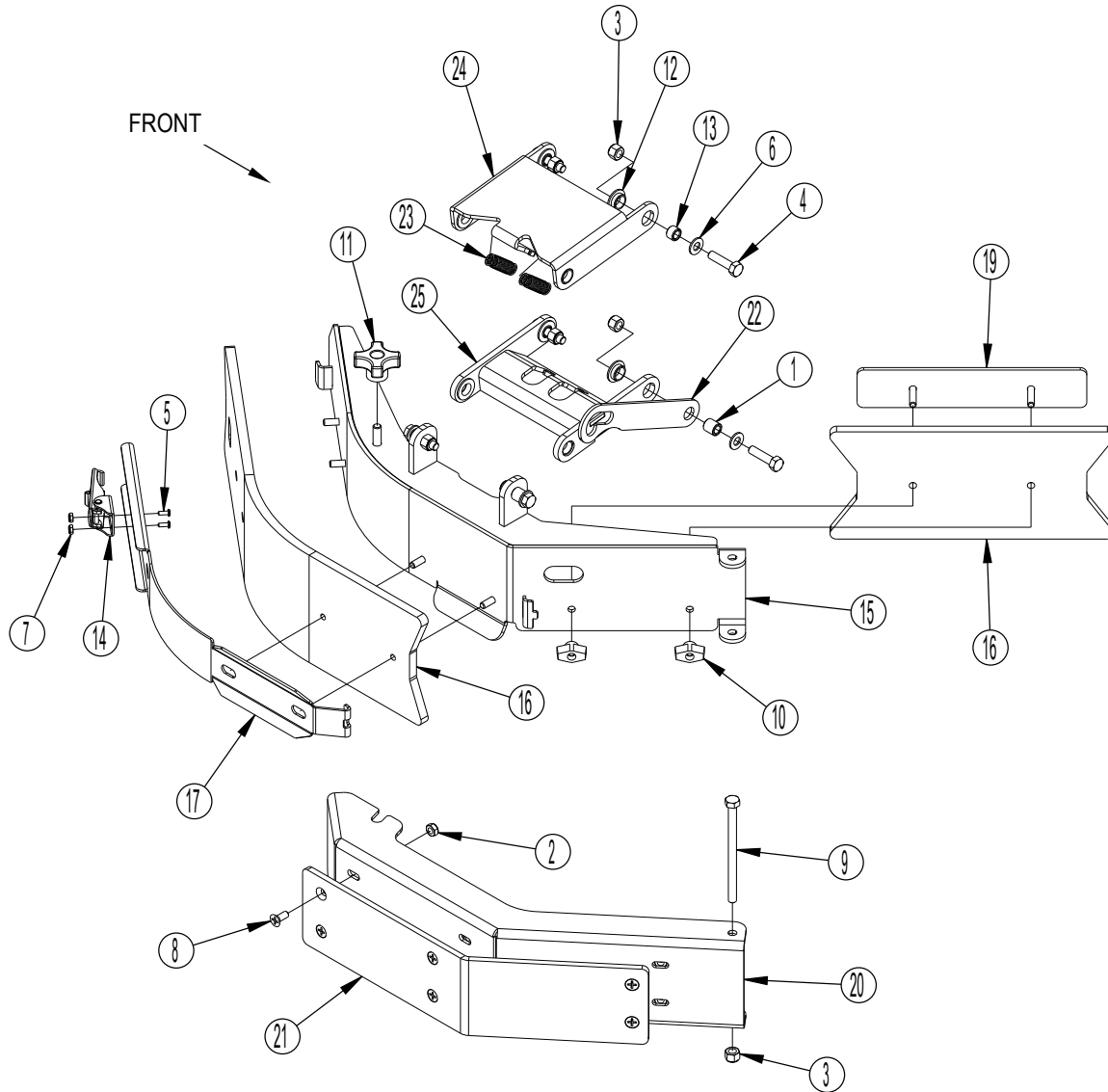


Kit	Item	Ref. No.	Qty	Description
K1	1		6	Nut, Hex Nyl Loc Ss 1/4-20
K1	2		1	Nut, Hex Nyl Loc Ss 10-24
K1	3		2	Nut, Hex Nyl Loc-Thin Ss 1/2-13
K1	4		4	Wsh-Flt Sae Ss 1/4
K1	5		2	Scr- Hex Ss 1/4-20 X 1.00
K1	6		1	Scr, Pan Phil Ss 10-24 X .62
K1	7		7	Wsh-Flt Sae Ss 1/2
K1	8		2	Scr- Hex Ss 1/2-13 X 1.50
K1	9		2	Clevis Pin
K1	10		2	Pin- Bow-Tie Cotter 7/16 - 1/2
K1	11		2	Scr-Hex Loc Ss M12-1.75 X 35mm
K1	12		4	Scr- Hex Ss 1/4-20 X .88
	13	56244969	2	Clamp- Hose Sae #12
	14	56305053	1	Sensor, Proximity S1
	15	56367206	4	Bushing
	16	56407309	1	Hose-Water
	17	56420160	4	Bearing, Flange
	18	56477613	1	Tie, Cable
	19		1	Assembly-Deck
	20		1	Arm-Deck Lift Assembly
	20a	56002777	1	Scr, Hex 3/8-16 X 7.00
	20b	56002852	1	Nut, Hex Nyl Loc-Thin Ss 3/8-16
	20c	56002910	2	Wsh-Flt Sae Ss 3/8
	20d	56003813	1	Pin- Bow-Tie Cotter 1/4 - 3/8
	20e	56009195	1	Wsh-Flt .406 X 1.25 X .164
	20f	56324505	2	Bearing, Flange
	20g	56509159	1	Deck Lift Weldment
	20h	56509186	1	Spacer-.385 X .75 X 1.75
	20i	56509189	1	Spacer-.385 X .75 X 2.56
	20j	56509190	1	Arm-Lift Spring
	20k	56601470	2	Compression Spring
	20l	2-00-06075	1	Pin Clevis 3/8 X 2.625
	21	56509439	1	Actuator-Scrub Deck M11
	22	56509567	1	Bracket-Sensor Target
	23	56509622	1	Bracket-Positive Stop
	24	56510625	1	Stop-Scrub Deck
K1		56510806	1	Hardware Kit-Scrub Sys



Kit	Item	Ref. No.	Qty	Description
K1	1		2	Nut, Hex Nyl Loc-Thin Ss 5/16-18
K1	2		1	Nut, Hex Nyl Loc-Thin Ss 3/8-16
K1	3		4	Nut, Hex Nyl Loc Ss 5/16-18
K1	4		2	Scr- Hex Ss 10-24 X .38
K1	5		5	Scr- Hex Ss 5/16-18 X 1.00
K1	6		5	Wsh-Flt Sae Ss 1/2
K1	7		3	Wsh-Flt Sae Ss 5/16
K1	8		3	Scr-Soc Hd Ss 5/16-18 X 1.25
K1	9		3	Key, Sq .25 X 1.19
K1	10		4	Scr-Hex Loc Ss 5/16-18 X 1.00
K1	11		12	Scr-Hex Loc Ss M6-1 X 50mm
K1	12		1	Scr-Soc Shd .50 X .75 X 3/8-16
K1	13		1	Nut-Hex Jam Ss 5/16-18
	14	56112771	4	Clamp- Hose Sae #10
	15	56303275	1	Solenoid Valve Assy L1
	16	56315625	3	Barb, Coupler 1/2 X 3/4
	17	56413426	1	Manifold, Solution
	18	56507767	2	Bearing, Fl 1 Id X 1-1/4 Od X 1/2 L
	19	56509100	1	Arm-Weldment
	20	56509107	1	Deck-Weldment
	21	56509114	1	Plate-Pivot
	22		1	Assembly-Side Squeegee
	23		1	Assembly-Side Squeegee
	24	56509228	1	Bracket-Lever Arm
	25	56510005	3	Spacer-Motor
	26	56510088	1	Bracket-Scrub Adjustment
	27	56510144	1	Spring-Gas
	28	56510287	1	Hose-Push Lock 14
	29	56510288	1	Hose-Push Lock 17.5
	30	56510289	1	Hose-Push Lock 16
	31	56510291	2	Scrub Motor Assembly M2 / M3
	[]	56510763	1	Brush Kit (for 56510291)
	32	56510292	1	Scrub Motor Assembly M4
	[]	56510763	1	Brush Kit (for 56510292)
	33	56601276	2	Brush Plate Assy
	33a	56366455	1	Plate, Stop
	33b	56366463	1	Spring Retainer
	33c	56009002	1	Wsh, Flt .266 X .906 X .060
	33d	56009247	3	Scr, Pan Phil Plastite 10-14 X .38
	33e	56601056	1	Spring, Brush Holder
	33f	56601118	1	Brush Plate
	33g	56601520	1	Gimbal, Motor
	33h	61658a	1	Collar, Brush Driver
	34	56601384	1	Brush Plate Assy NOTE 1
K1	56510807		1	Hardware Kit-Deck Assy

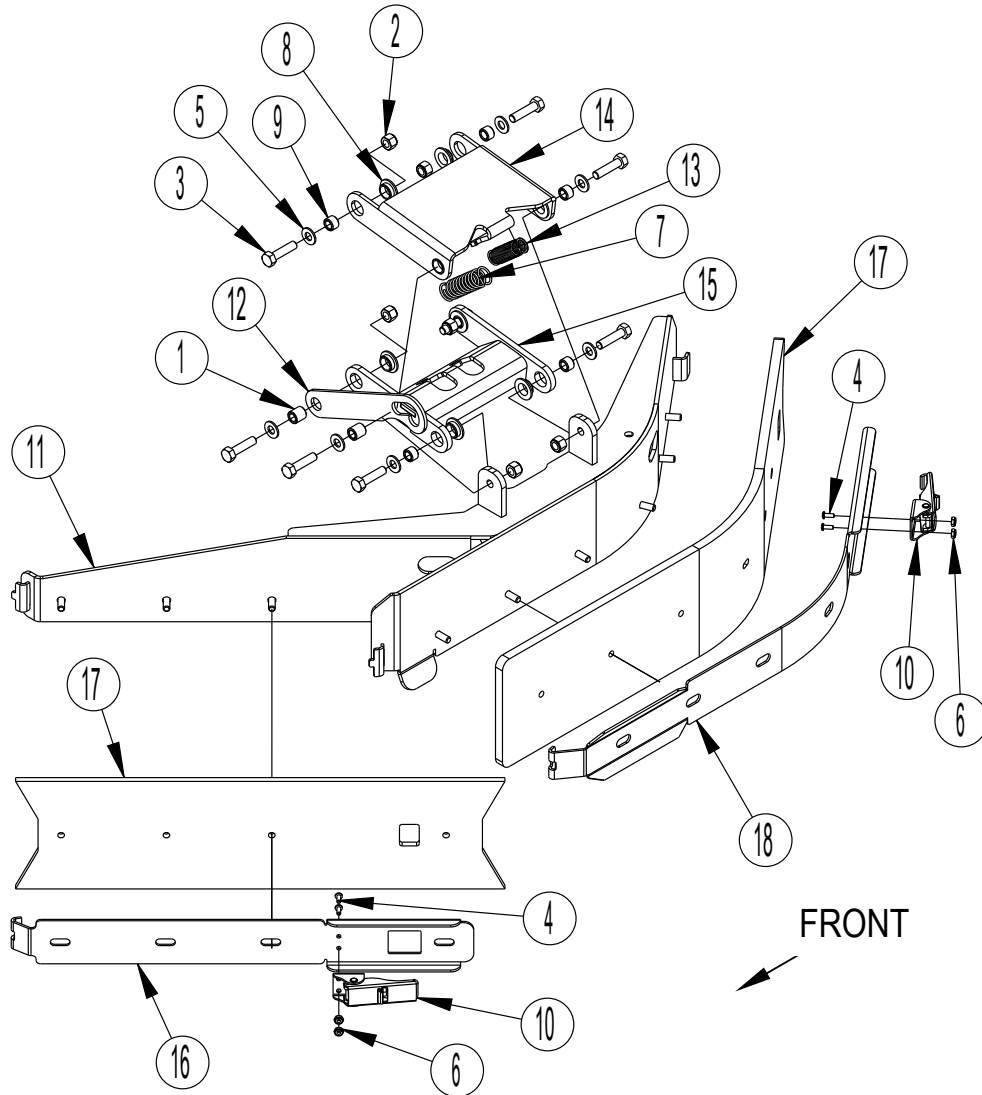
NOTE 1: Uses same components as 56601276.



Kit	Item	Ref. No.	Qty	Description	Kit	Item	Ref. No.	Qty	Description
			1	Assembly-Side Squeegee	16	56510374	1	Blade Kit-Deck Red Gum NOTE 1	
K1	1		2	Bushing	K2	17	1	Strap-Blade	
K4	2		6	Nut, Hex Nyl Loc-Thin Ss 1/4-20		19	56509130	1	Strap-Weldment
K1,K3	3		9	Nut, Hex Nyl Loc Ss 5/16-18		20	56509151	1	Guard-Edge Scrub
K1	4		8	Scr- Hex Ss 5/16-18 X 1.25	K4	21	1	Guard-Uhmw	
K2	5		2	Scr, Pan Phil Ss 6-32 X .38	K1	22	56510139	1	Plate-Catch
K1	6		8	Wsh-Flt Sae Ss 5/16	K1	23	56510254	2	Spring-Extension
K2	7		2	Nut, Hex Nyl Loc-Thin Ss 6-32	K1	24	1	Arm-Side Squeegee Weldt	
K4	8		6	Scr-Flt Phil Ss 1/4-20 X .75	K1	25	1	Arm-Side Squeegee Weldt	
K3	9		1	Scr- Hex Ss 5/16-18 X 4.50				Deck Blade Kits	
K3	10		2	Knob, Wing		56510374	1	Blade Kit-Deck Red Gum NOTE 1	
	11	56407303	1	Knob	*	56510375	1	Blade Kit-Deck Gum NOTE 1	
K1	12		8	Bearing, Flange .625 X .500 X .250	*	56510376	1	Blade Kit-Deck PU NOTE 1	
K1	13		6	Bushing .32x.50x.35					
K2	14		1	Latch Assembly	K1	56510810	1	Arm Kit-Side Squeegee	
	15	56509115	1	Blade Support Weldment	K2	56510811	1	Strap Kit-Side Squeegee	
					K3	56510812	1	Hardware Kit-Side Squeegee Rt	
					K4	56510813	1	Guard Kit-UHMW	

* = Optional, Not Included

NOTE 1: All Deck Blade Kits include all blades for both skirt assemblies

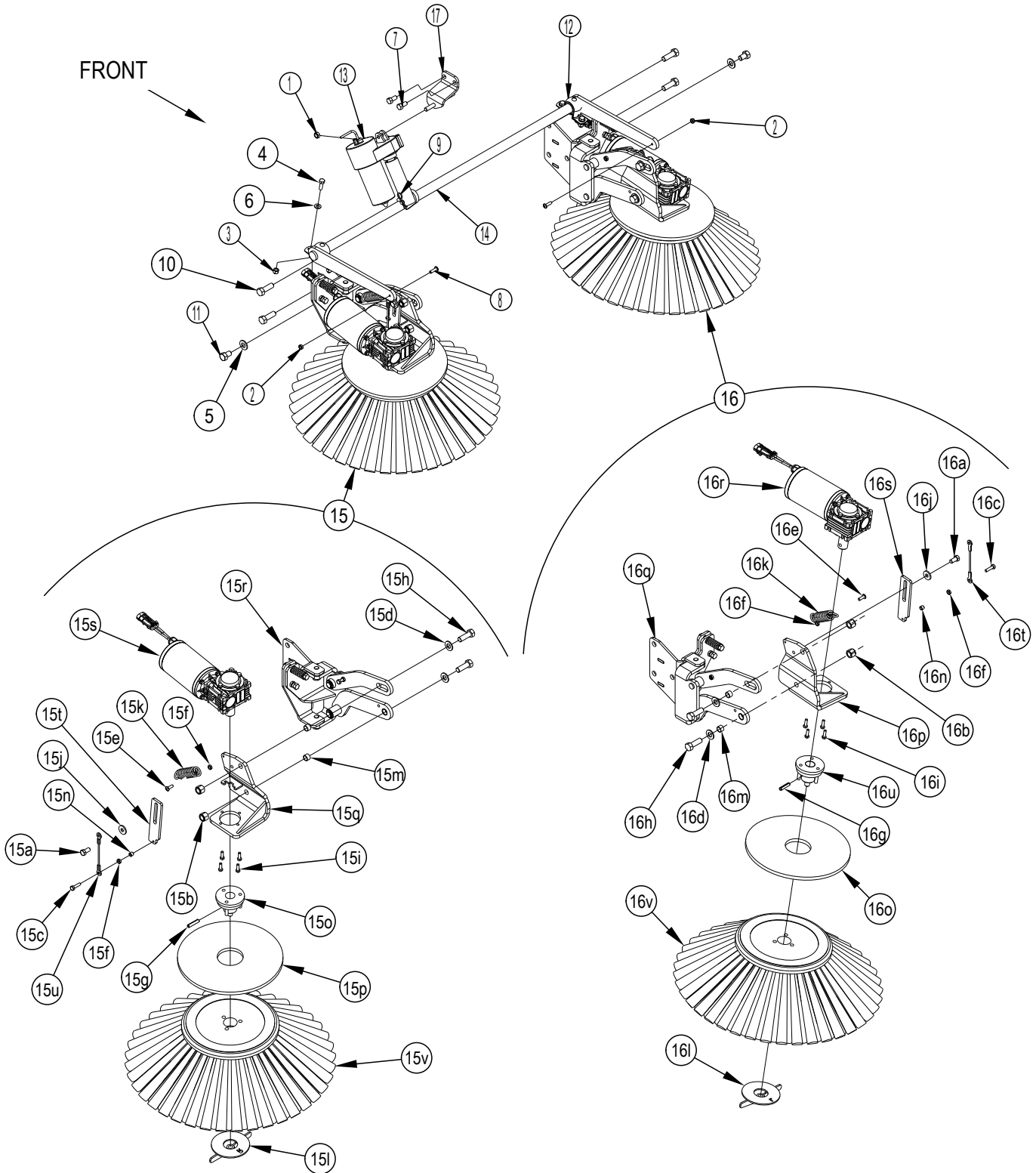


Kit	Item	Ref. No.	Qty	Description
			1	Assembly-Side Squeegee
K1	1		2	Bushing
K1	2		8	Nut, Hex Nyl Loc Ss 5/16-18
K1	3		8	Scr- Hex Ss 5/16-18 X 1.25
K2,K3	4		4	Scr, Pan Phil Ss 6-32 X .38
K1	5		8	Wsh-Fit Sae Ss 5/16
K2,K3	6		4	Nut, Hex Nyl Loc-Thin Ss 6-32
K1	7	56305253	1	Spring, Extension
K1	8		8	Bearing, Flange .625 X .500 X .250
K1	9		6	Bushing .32x.50x.35
K2,K3	10		2	Latch Assembly
	11	56509153	1	Blade Support Weldment

Kit	Item	Ref. No.	Qty	Description
K1	12	56510139	1	Plate-Catch
K1	13	56510254	1	Spring-Extension
K1	14		1	Arm-Side Squeegee Weldt
K1	15		1	Arm-Side Squeegee Weldt
K2	16		1	Strap-Blade
	17	56510374	1	Blade Kit-Deck Red Gum NOTE 1
K3	18		1	Strap-Blade
Deck Blade Kits				
		56510374	1	Blade Kit-Deck Red Gum NOTE 1
	*	56510375	1	Blade Kit-Deck Gum NOTE 1
	*	56510376	1	Blade Kit-Deck PU NOTE 1
K1		56510810	1	Arm Kit-Side Squeegee
K2		56510883	1	Strap Kit-Side Squeegee LT FR
K3		56510882	1	Strap Kit-Side Squeegee LT RR

* = Optional, Not Included

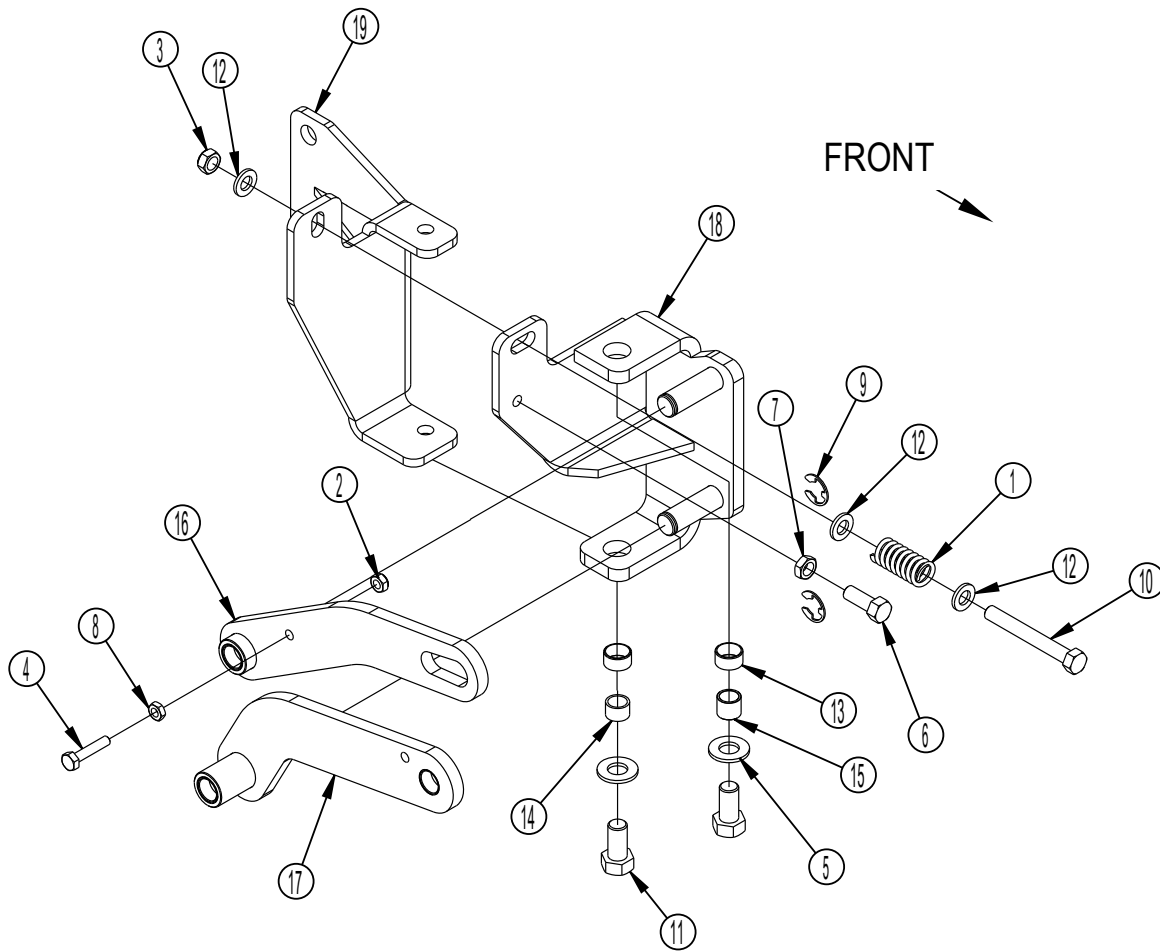
NOTE 1: All Deck Blade Kits include all blades for both skirt assemblies



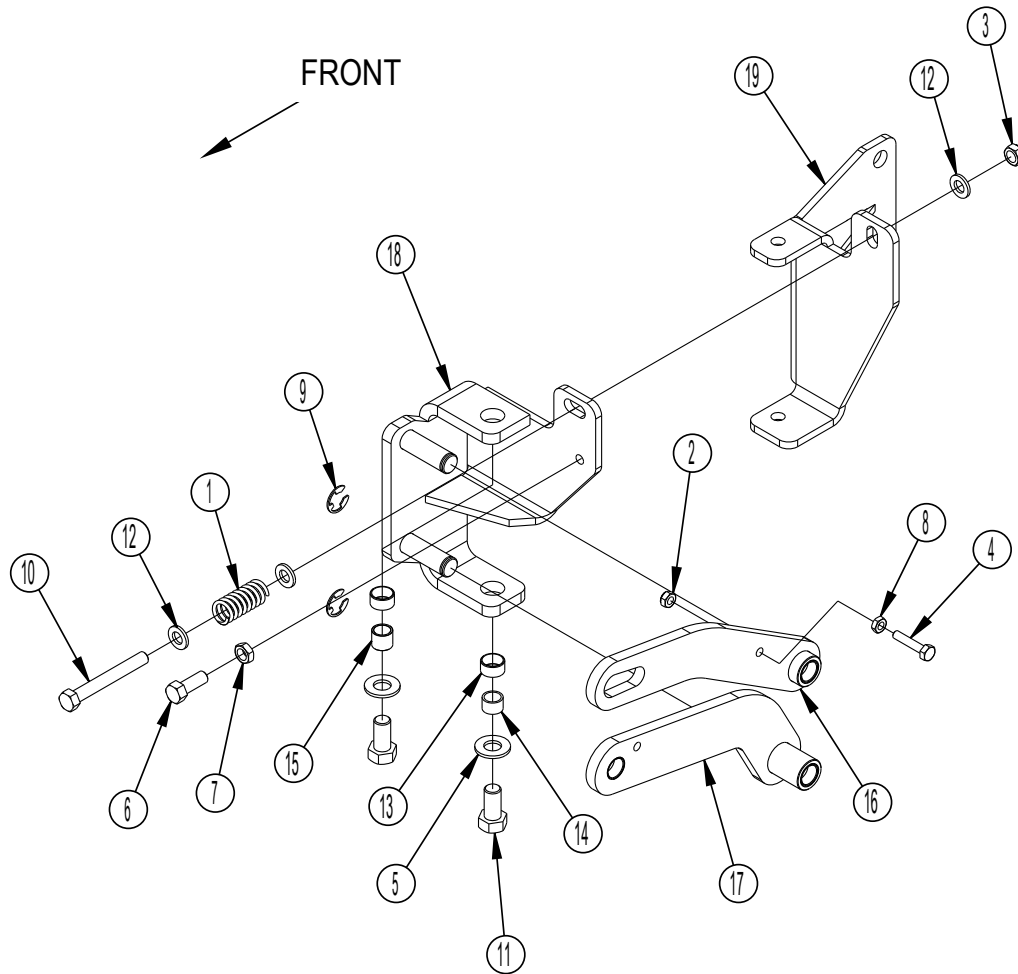
SIDE BROOM SYSTEM

CS7000

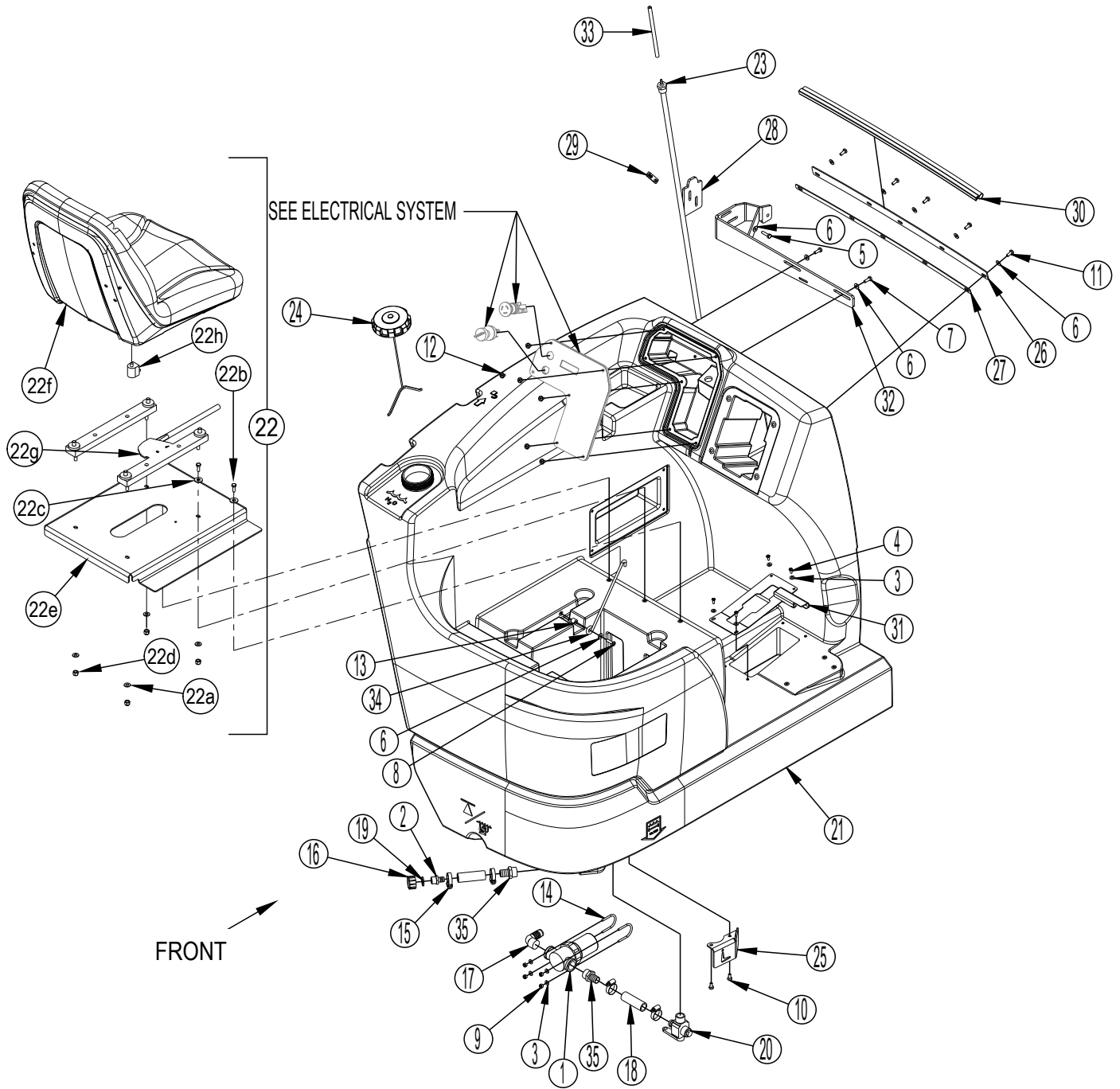
Kit	Item	Ref. No.	Qty	Description	Kit	Item	Ref. No.	Qty	Description
K4	1		1	Nut, Hex Nyl Loc-Thin 3/8-16		16	56510080	1	Lt Side Broom Assy
K4	2		2	Nut, Hex Nyl Loc-Thin Ss 1/4-20	K3	16a		1	Scr, Hex 3/8-16 X .75
K1	3		4	Nut, Hex Nyl Loc Ss 5/16-18	K3	16b		2	Nut, Hex Nyl Loc Ss 1/2-13
K1	4		4	Scr- Hex Ss 5/16-18 X 1.00	K3	16c		1	Scr- Hex Ss 1/4-20 X 1.00
K4	5		2	Wsh-Flt Sae Ss 1/2	K3	16d		2	Wsh-Flt Sae Ss 1/2
K1	6		4	Wsh-Flt Sae Ss 5/16	K3,K5	16e		1	Scr, Pan Phil Ss 1/4-20 X .75
K4	7		2	Scr,Hex Hd Loc 3/8-16x.75	K3,K5	16f		2	Nut-Hex Jam Ss 1/4-20
K4	8		2	Scr, Pan Phil Ss 1/4-20 X .88	K5	16g		1	Pin, Spr .31 X 1.38
K4	9		1	Pin, Cotter Hair .0915 X .375	K3	16h		2	Scr- Hex Ss 1/2-13 X 1.50
K4	10		4	Scr- Hex Ss 1/2-13 X 1.50	K5	16i		4	SCR-HEX LOC SS M6-1 X 20mm
K4	11		2	Scr-Hex Loc Ss 1/2-13 X .75	K3	16j		1	Wsh, Flt Ss .378 X 1.000 X .120
K1	12		2	Bearing, Pillow Block	K3	16k		1	Spring, Ext
	13	56413111	1	Actuator-Side Broom M13		16l	56305725	1	Left Thumb Nut Weldt
	14	56509039	1	Side Broom Lift Weldt	K3	16m		2	Bushing
	15	56509090	1	Rt Side Broom Assy	K3	16n		1	Bushing
K2	15a		1	Scr, Hex 3/8-16 X .75		16o	56509048	1	Guard-Side Broom
K2	15b		2	Nut, Hex Nyl Loc Ss 1/2-13	K3	16p		1	Lt Motor Bkt Weldt
K2	15c		1	Scr- Hex Ss 1/4-20 X 1.00	K3	16q		1	Lt Sb Arm Assy
K2	15d		2	Wsh-Flt Sae Ss 1/2		16r	56510318	1	Lt Motor Assembly M9
K2,K5	15e		1	Scr, Pan Phil Ss 1/4-20 X .75		[]	56510844	1	Brush Kit-Motor (for 56510318 & 56510482)
K2,K5	15f		2	Nut-Hex Jam Ss 1/4-20	K3	16s		1	Bracket-Sb Lift
K5	15g		1	Pin, Spr .31 X 1.38	K3	16t		1	Cable Assy-.31 X 4.75
K2	15h		2	Scr- Hex Ss 1/2-13 X 1.50		16u	56510680	1	Lt Sb Hub Assy
K5	15i		4	SCR-HEX LOC SS M6-1 X 20mm		16v	56510707	1	Broom-Side Poly
K2	15j		1	Wsh, Flt Ss .378 X 1.000 X .120		17	56510233	1	Actuator Bracket Weldt
	15k	56051136	1	Spring, Ext					
	15l	56305731	1	Right Thumb Nut Weldt	K1	56510736		1	Bearing Kit-Side Broom
K2	15m		2	Bushing	K2	56510767		1	Bracket Kit-Right Side Broom
K2	15n		1	Bushing	K3	56510769		1	Bracket Kit-Left Side Broom
	15o	56509046	1	Side Broom Hub Assy	K4	56510821		1	Hardware Kit-Side Broom System
	15p	56509048	1	Guard-Side Broom	K5	56510822		2	Hardware Kit-Side Broom Assy
K2	15q		1	Rt Motor Bkt Weldt					
K2	15r		1	Rt Sb Arm Assy					
	15s	56510482	1	Rt Motor Assembly M8					
	[]	56510844	1	Brush Kit-Motor (for 56510318 & 56510482)					
K2	15t		1	Bracket-Sb Lift					
K2	15u		1	Cable Assy-.31 X 4.75					
	15v	56510707	1	Broom-Side Poly					



Kit	Item	Ref. No.	Qty	Description
			1	RT SB Arm Assy
	1	56171123	1	Spring, Compression
	2		1	Nut, Hex Nyl Loc-Thin Ss 1/4-20
	3		1	Nut, Hex Nyl Loc-Thin Ss 3/8-16
	4		1	Scr- Hex Ss 1/4-20 X 1.25
	5		2	Wsh-Flt Sae Ss 1/2
	6		1	Scr,Hex Hd Loc 3/8-16x1.00
	7		1	Nut-Hex Jam Ss 3/8-16
	8		1	Nut-Hex Jam Ss 1/4-20
	9		2	Ring, Ret Ext Type E 0.62 Dia
	10		1	Scr- Hex Ss 3/8-16 X 3.00
	11		2	Scr-Hex Loc Ss 1/2-13 X 1.00
	12		3	Wsh-Flt .406x.750x.090
	13		2	Bearing, .719 X .625 X .375
	14		1	Bushing
	15		1	Bushing
	16		1	Upr Rt Arm Assy
	17		1	Lwr Rt Arm Assy
	18		1	Right Hinge Weldt
	19		1	Right Hinge Weldt

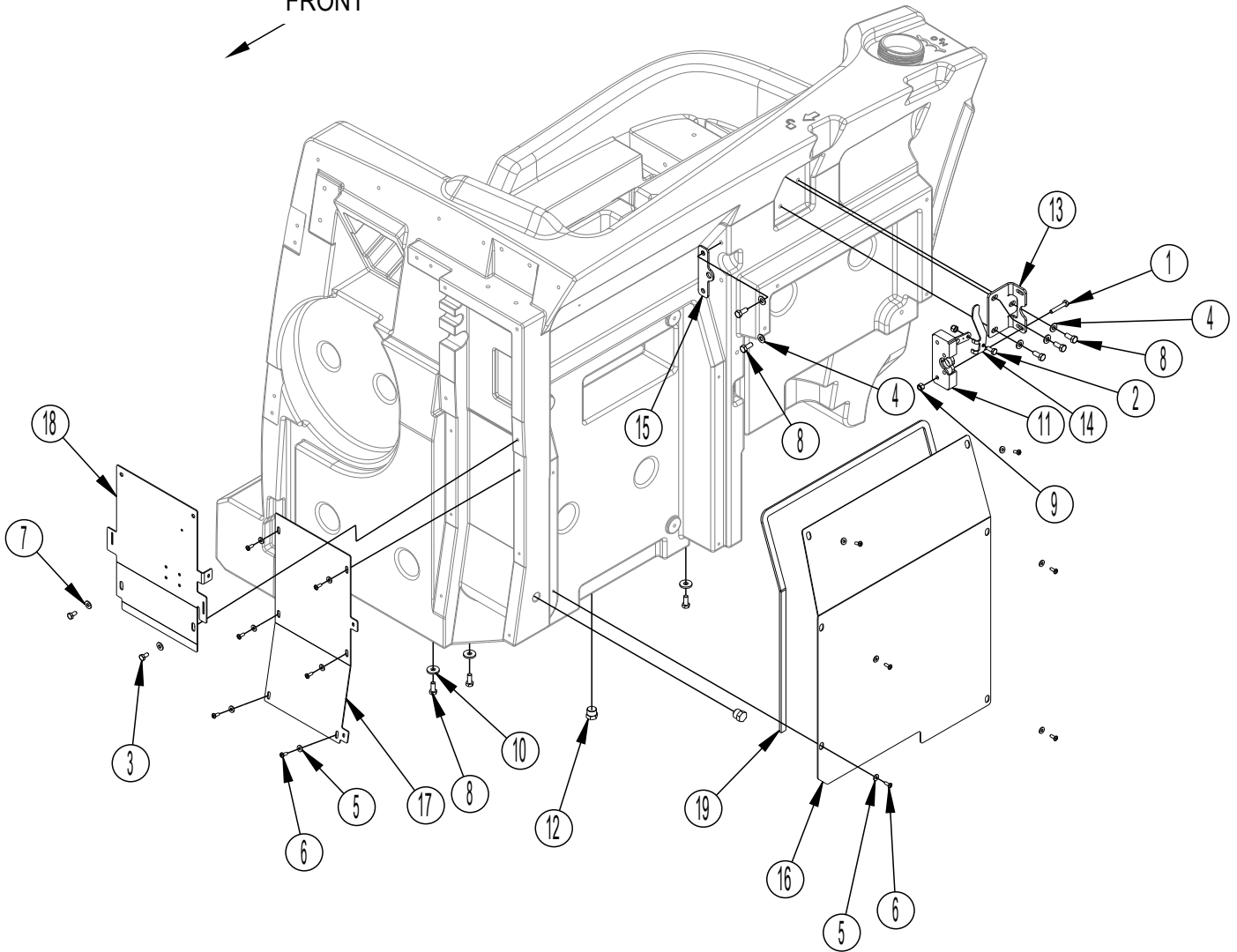


Kit	Item	Ref. No.	Qty	Description
			1	LT SB Arm Assy
	1	56171123	1	Spring, Compression
	2		1	Nut, Hex Nyl Loc-Thin Ss 1/4-20
	3		1	Nut, Hex Nyl Loc-Thin Ss 3/8-16
	4		1	Scr-Hex Ss 1/4-20 X 1.25
	5		2	Wsh-Flt Sae Ss 1/2
	6		1	Scr,Hex Hd Loc 3/8-16x1.00
	7		1	Nut-Hex Jam Ss 3/8-16
	8		1	Nut-Hex Jam Ss 1/4-20
	9		2	Ring, Ret Ext Type E 0.62 Dia
	10		1	Scr-Hex Ss 3/8-16 X 3.00
	11		2	Scr-Hex Loc Ss 1/2-13 X 1.00
	12		3	Wsh-Flt .406x.750x.090
	13		2	Bearing, .719 X .625 X .375
	14		1	Bushing
	15		1	Bushing
	16		1	Upr Lt Arm Assy
	17		1	Lwr Lt Arm Assy
	18		1	Left Hinge Weldt
	19		1	Left Hinge Weldt

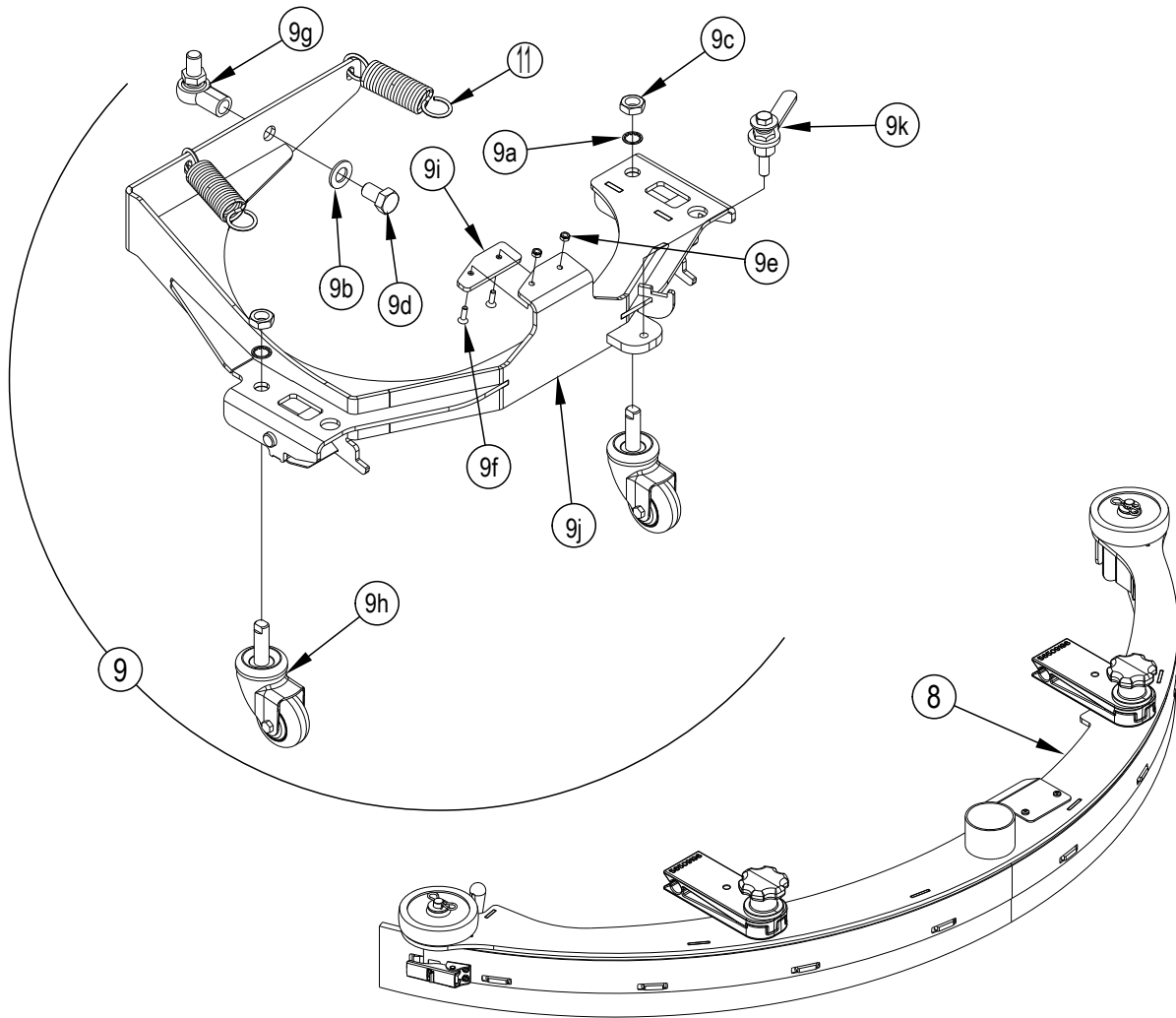
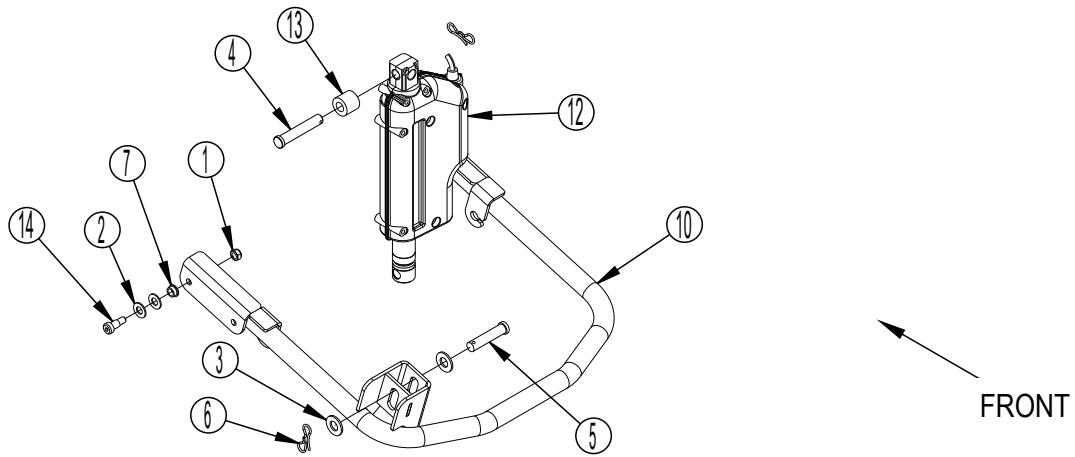


Kit	Item	Ref. No.	Qty	Description
K1	1		1	Filter
K2	2		1	Barb
K1,K4	3		8	Wsh, Flt Sae #10
K4	4		4	Scr-Pan Phil 10-24 X .50
K4	5		1	Scr, Hex 1/4-20 X 1.00
K4	6		9	Wsh, Flt Sae 1/4
K4	7		2	Scr, Hex 1/4-20 X .75
	8	56002292	1	Scr-Pan Phil 1/4-20 X 1.00
K1	9		4	Nut, Hex Nyl Loc 10-24
K1	10		2	Scr- Hex Ss 1/4-20 X .50
K4	11		5	Scr,Hex Hd Loc 1/4-20x.62
K4	12		6	Scr, Truss Phil-Blk 10-24x.50
	13	56046309	1	Spacer, Phenolic
	14	56110318	2	U-Bolt 10-24 X R.69
K1,K2	15		4	Clamp- Hose Sae #12
K2	16		1	Cap, Pipe Ght Nylon
K1	17	56305545	1	Barb, 90 Elbow 3/4 X 3/4 Npt
K1,K2	18		2	Hose - .75 X 3.00 E00521
K2	19		1	Washer, Rubber
K1	20		1	Valve-Solution
	21	56509188	1	Tank-Solution
	22		1	Seat Assembly
	22a	56001939	4	Wsh, Flt Sae 5/16
	22b	56002155	3	Scr, Hex 1/4-20 X .75
	22c	56002220	3	Wsh, Flt Std 5/16
	22d	56002701	4	Nut, Hex Nyl Loc 5/16-18
	22e	56509461	1	Seat Mount Weldt
	22f	7-69-00008	1	Seat
	22g	7-72-05005	1	Slide,Seat
	22h	7-82-00050	1	Switch S9
	23	56509475	1	Tube Assy-Pressure Sensing
	24	56510442	1	Cap-Extra Vent
K1	25		1	Shield-Valve
	26	56510540	1	Plate-Seal
	27	56510542	1	Plate-Spacer
	28	56510547	1	Plate
	29	56510587	1	Nut Plate
	30	56510590	1	Bulb Seal
	31	56510598	1	Cover Weldt
	32	56510601	1	Cover Hanger Weldt
	33	56510659	1	Tube-Tygon
	34	56601215	1	Prop Rod, Seat
K1	35	56900292	2	Barb, Adapter 3/4 X 3/4npt
K1	56510581	1	1	Filter Kit-Solution
K2	56510593	1	1	Hose Kit-Solution Drain
K4	56510824	1	1	Hardware Kit-Solution System

FRONT



Kit	Item	Ref. No.	Qty	Description
K3	1		1	Scr, Hex 1/4-20 X 1.50
K3	2		1	Scr, Hex 1/4-20 X .62
K4	3		2	Scr, Hex 1/4-20 X .50
K3,K4	4		5	Wsh, Flt Sae 5/16
K4	5		12	Wsh, Flt Sae #10
K4	6		12	Scr-Pan Phil 10-24 X .50
K4	7		2	Wsh, Flt Sae 1/4
K3,K4	8		8	Scr, Hex 5/16-18 X .75
K3	9		2	Nut, Hex Nyl Loc 1/4-20
K4	10		3	Wsh, Flt .344 X .938 X .125
K3	11	56304827	1	Latch, Rh
	12	56305547	2	Plug, 1/2 Hex Pipe
K3	13		1	Bracket-Latch Mount
K3	14		1	Handle-Recovery Latch
	15	56509363	1	Hook-Tether
	16	56510045	1	Cover-Contactor Panel
	17	56510062	1	Panel-Cover
	18	56510065	1	Panel-Fuse Cover
	19	56510661	1	Gasket-Plate
K3	56510594		1	Latch Kit-Rec Tank
K4	56510824		1	Hardware Kit-Solution System



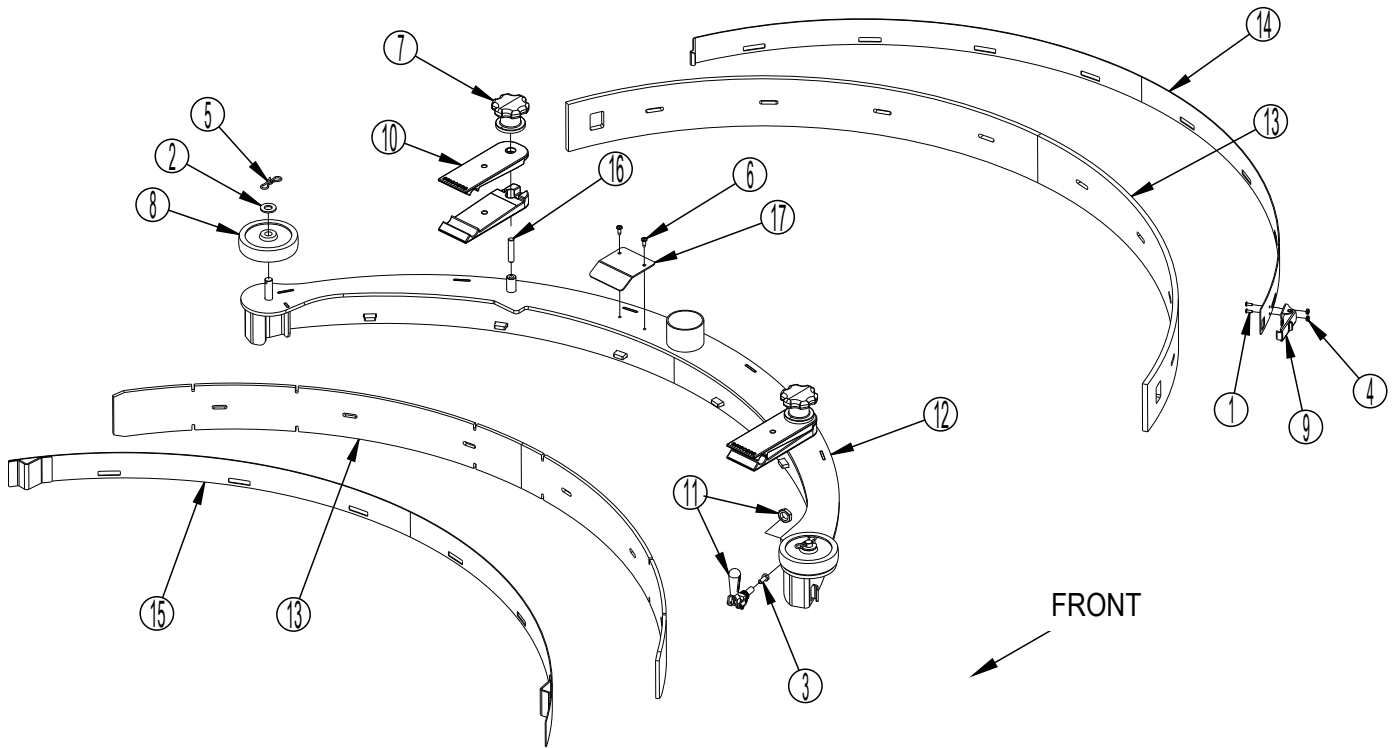
Kit	Item	Ref. No.	Qty	Description
K1	1		2	Nut, Hex Nyl Loc-Thin Ss 5/16-18
K1	2		4	Wsh-Flt Sae Ss 3/8
K2	3		2	Wsh-Flt Sae Ss 1/2
K2	4		1	Pin-Clevis .50 X 2.75
K2	5		1	Clevis Pin
K2	6		2	Pin- Bow-Tie Cotter 7/16 - 1/2
K1	7		2	Bearing, Flange
	8	56509226	1	Assembly-Squeegee Tool (includes Red Gum Rubber Blades)
	9		1	Assembly-Squeegee Support
K3	9a		2	Washer, Int. Shake Pr
K5	9b		1	Wsh, Flt Sae 3/4
K3	9c		2	Nut, Hex Jam 3/4-10 (Not Stocked)
K5	9d		1	Scr, Hex 3/4-16 X 1.25 Grade8
K4	9e		2	Nut, Hex Nyl Loc-Thin Ss 1/4-20
K4	9f		2	Scr-Flt Phil Ss 1/4-20 X .88
K5	9g		1	Rod End
K3	9h		2	Caster-Squeegee
K4	9i		1	Pad-Squeegee Lift
	9j	56509707	1	Support Weldment
	9k	56510168	1	Handle-Adjustment
	10	56509241	1	Arm-Squeegee Lift
	11	56509246	2	Spring-Extension
	12	56509247	1	Actuator-Squeegee Lift M12
K2	13		1	Spacer-.510 X 1 X .88
K1	14		2	3/8 Shoulder Screw 1/2lg 5/16-18thrd
K1	56510766		1	Hardware Kit-Squeegee Lift
K2	56510768		1	Hardware Kit-Squeegee Actuator
K3	56510817		1	Caster Kit-Squeegee
K4	56510828		1	Pad Kit-Squeegee Lift
K5	56510829		1	Rod End-Squeegee

SQUEEGEE ASSY

11-3

70

CS7000

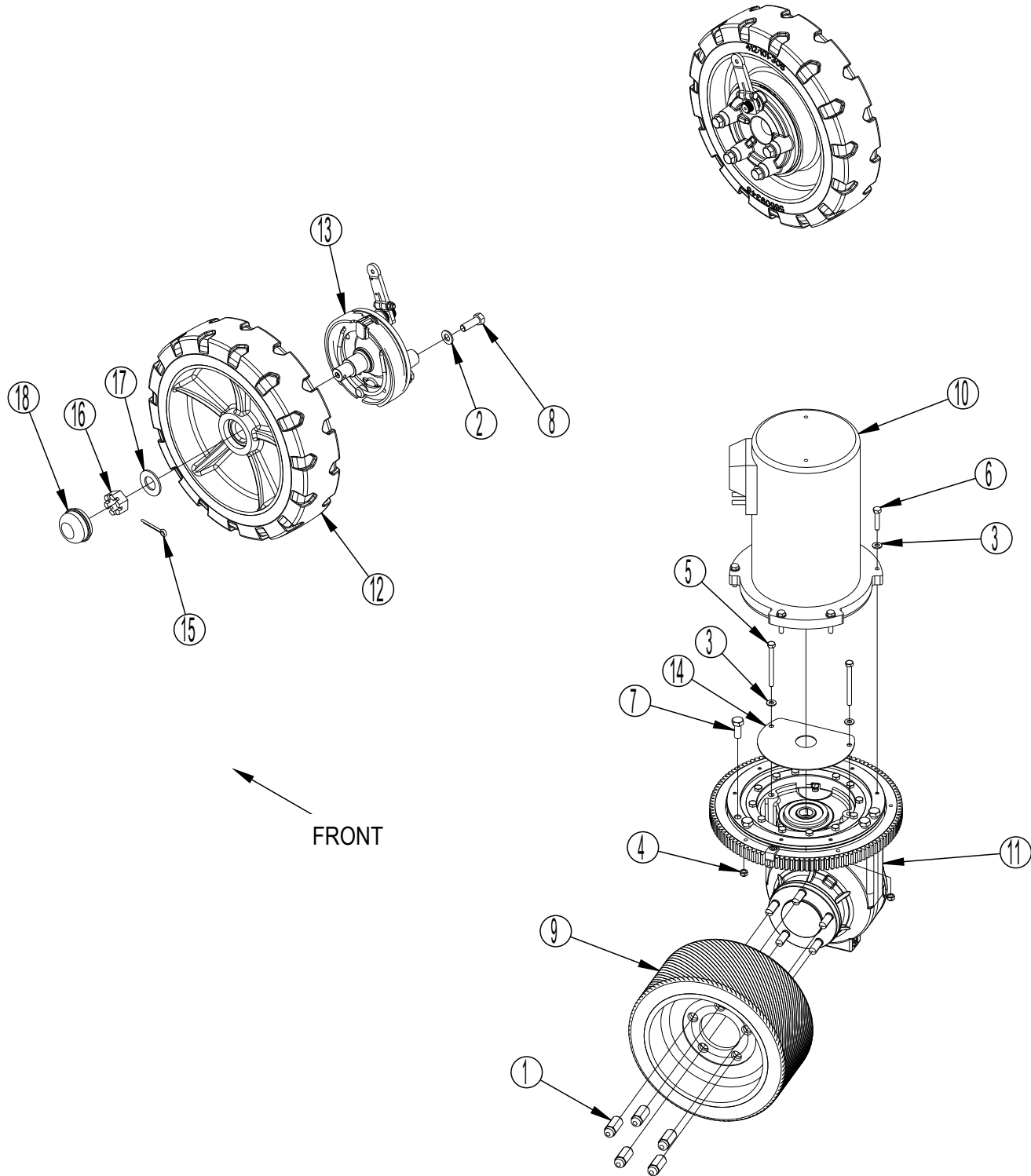


Kit	Item	Ref. No.	Qty	Description
		56509226	1	Squeegee Assy
K2	1		2	Scr-Pan Phil Ss 6-32 X .38
K3	2		2	Wsh-Flt Sae Ss 1/2
K4	3		1	Scr-Hex Loc Ss 1/4-20 X .62
K2	4		2	Nut-Hex Nyl Loc-Thin Ss 6-32
K3	5		2	Pin-Bow-Tie Cotter 7/16 - 1/2
K4	6		2	Scr-Pan Phil Ss Type F 10-24 X .50
	7	56109704	2	Knob-Squeegee
K3	8	56111639	2	Wheel
K2	9		1	Latch Assembly
K1	10		4	Clip-Squeegee
	11	56509203	1	Clamp-Push Pull
	12		1	Squeegee Weldment NOTE 2
	13	56510371	1	Blade Kit-Squeegee Red Gum NOTE 1
	14	56509219	1	Strap-Squeegee
	15	56509220	1	Strap-Weldment
	16	56510151	2	Stud - 3/8-16x1.75
	17	56510153	1	Plate-Adjustment
				Squeegee Blade Kits
		56510371	1	Blade Kit-Squeegee Red Gum NOTE 1
	*	56510372	1	Blade Kit-Squeegee Gum NOTE 1
	*	56510373	1	Blade Kit-Squeegee PU NOTE 1
K1		56510830	1	Clip Kit-Squeegee
K2		56510831	1	Latch Kit-Squeegee
K3		56510832	1	Wheel Kit-Squeegee
K4		56510833	1	Hardware Kit-Squeegee Tool

* = Optional, Not Included

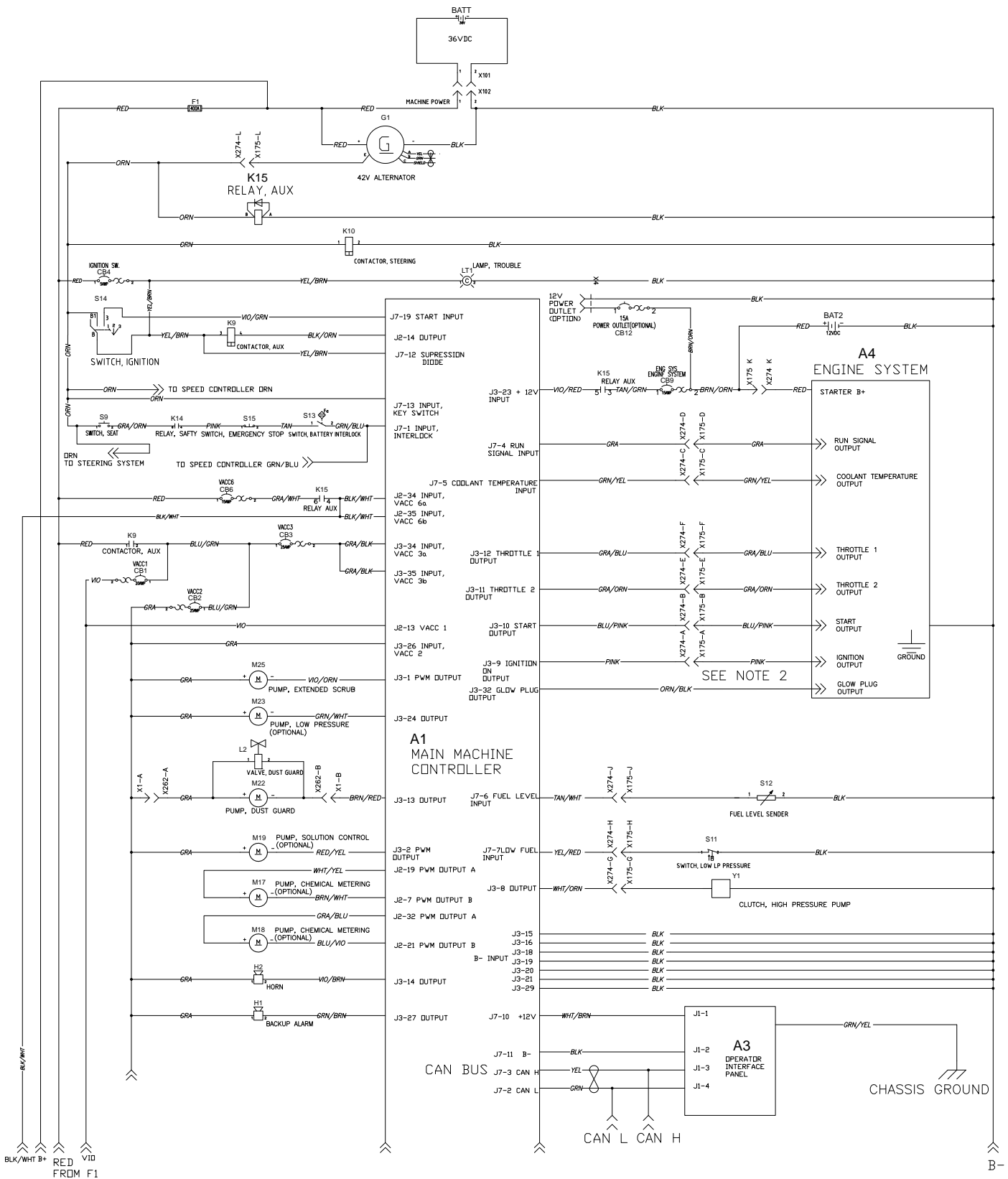
NOTE 1: All squeegee blade kits include both front and rear squeegee blades.

NOTE 2: The squeegee weldment is not available for sale separately. If you need to replace it please order the entire squeegee assembly 56509226.



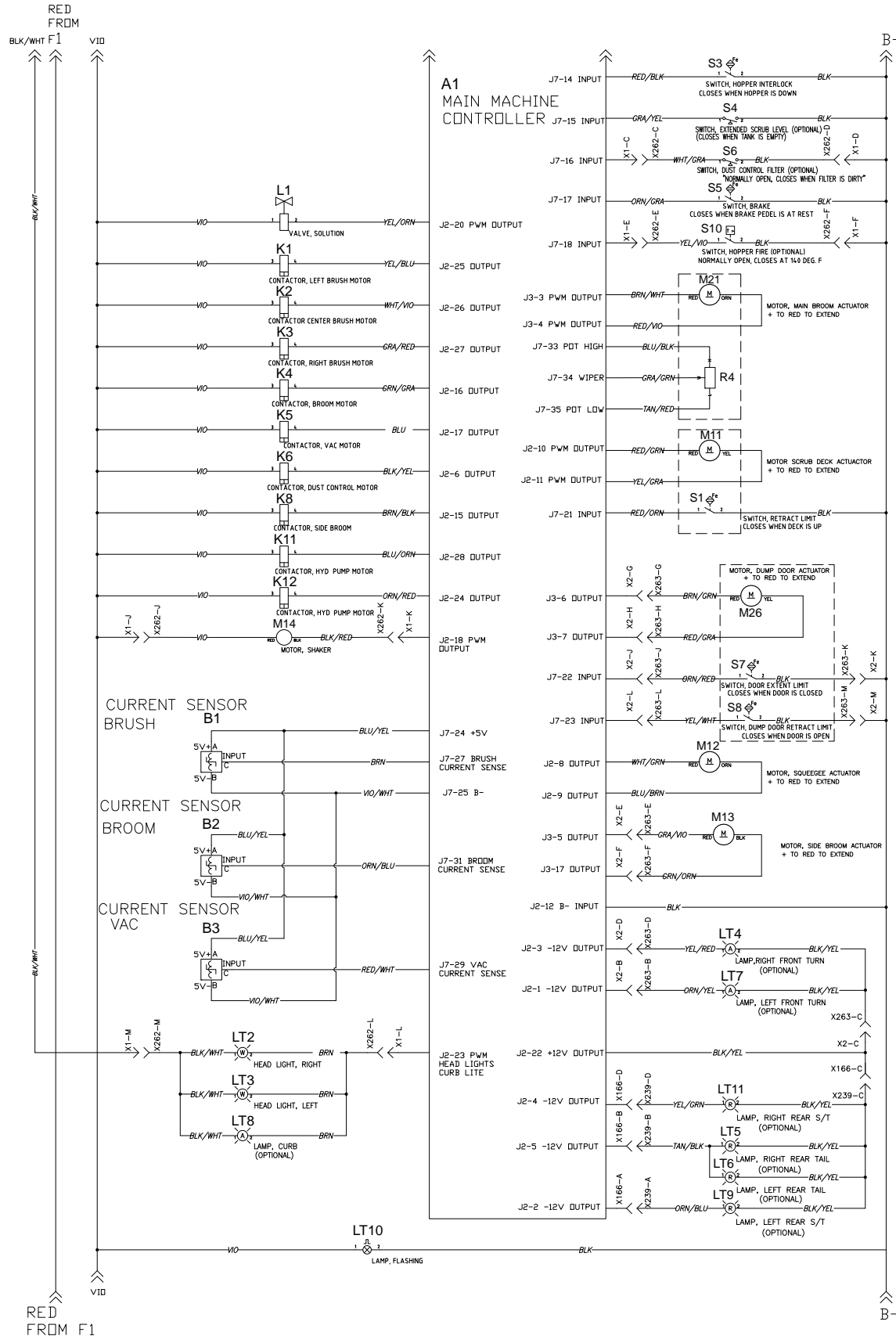
Kit	Item	Ref. No.	Qty	Description
	1	56510738	1	Lug Nut Kit
K2	2		8	Wsh-Flt Sae 1/2
K1	3		8	Wsh, Flt Sae 5/16
K1	4		2	Nut, Hex Nyl Loc-Thin 5/16-18
K1	5		2	Scr, Hex 5/16-18 X 3.50
K1	6		6	Scr, Hex Ss M8-1.25 X 40mm
K2	7		6	Scr, Hex Loc M12-1.75 X 30mm
K2	8		8	Scr, Hex Loc 1/2-20 X 1.50 Grade 8
	9	56509157	1	Wheel-Drive 310x140
K1	10		1	Motor-Traction M24
	[]	56510852	1	Sensor-Speed (for 56510737)
	[]	56510853	1	Sensor-Thermal (for 56510737)
	11	56509195	1	Gearbox-Traction Drive
	12	56509346	2	Wheel-Mold-On 16.2 X 4
	[]	56509532	1	Bearing-Wheel (for 56509346)
	[]	56509533	1	Ring-Snap (for 56509346)
	13	56509664	2	Brake & Spindle Assembly
	[]	56510762	1	Brake Shoe Kit (for 56509664)
K1	14		1	Shield-Splash
K2	15		2	Pin, Cotter
K2	16		2	1" X 14 Slotted Nut
K2	17		2	Washer, Spacer
	18	8-11-00030	2	Grease Cap
K1	56510737	1	Motor Kit-Drive	
K2	56510826	1	Hardware kit-Wheel System	
K3	56510825	1	Ring/Pinion Gear Kit-Steering (for 56509195)	

[] = Not Shown

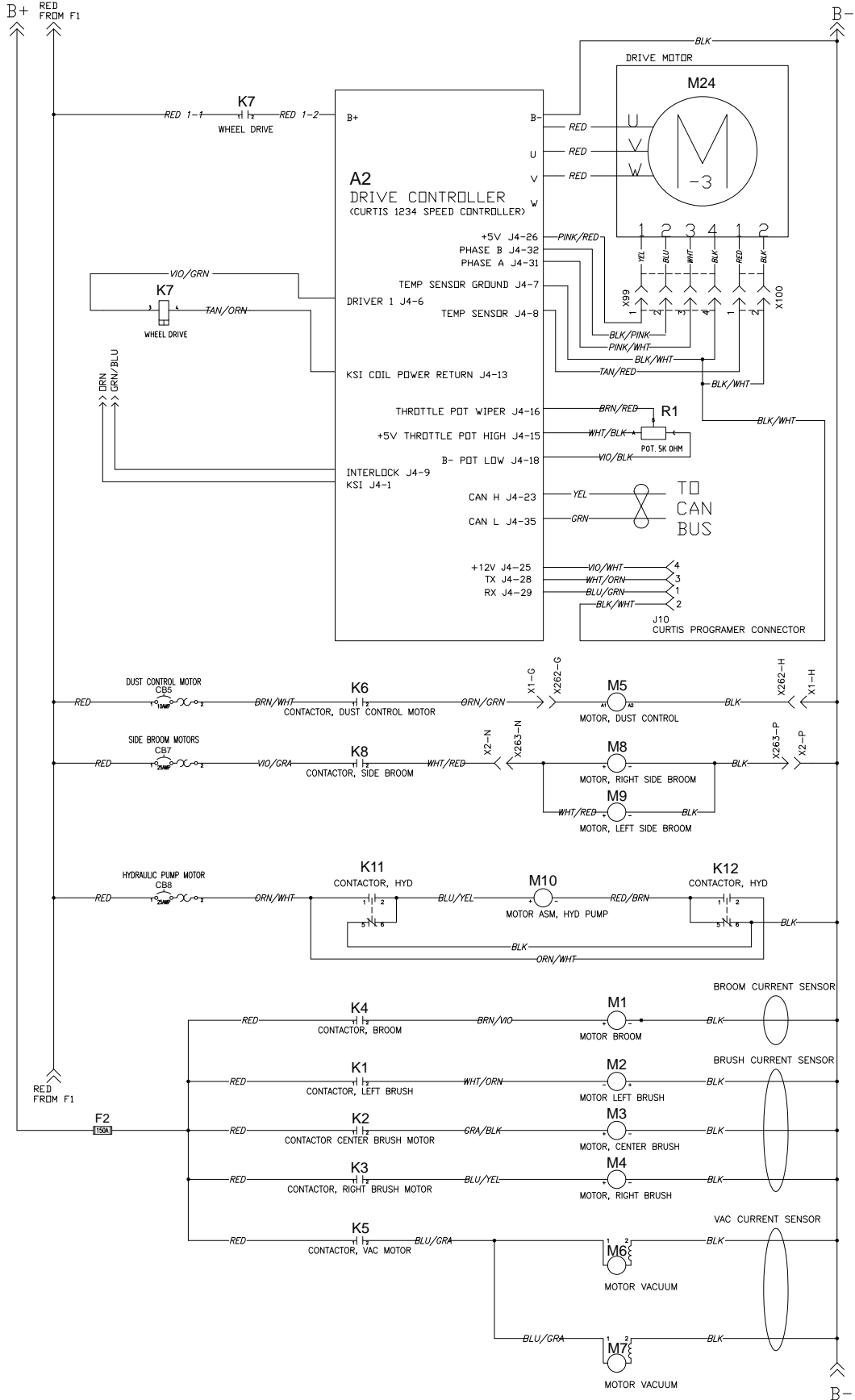


NOTE 2: X175 NOT USED WITH BATTERY MODEL

Kit	Item	Ref. No.	Qty	Description
	A1	56509626	1	Main Controller
	A3	56509476	1	User Interface Panel Assy
	A4	NA		Engine System
	BATT	56206985	3	Battery, Gel 12V 98 Ah
	BAT2	56380449	1	Battery-12V 45ah Wet
	CB1	56413822	1	Circuit Breaker-20 Amp (VACC1)
	CB2	56509623	1	Circuit Breaker-25 Amp (VACC2)
	CB3	56509623	1	Circuit Breaker-25 Amp (VACC3)
	CB4	56315255	1	Circuit Breaker-5 Amp (Ignition)
	CB6	56413407	1	Circuit Breaker-15 Amp (VACC6)
	CB9	56413407	1	Circuit Breaker-15 Amp (Engine System)
	CB12	56413407	1	Circuit Breaker-15 Amp (Accessory Socket / Optional)
	F1	56303297	1	Fuse, 400 Amp
	G1	56509345	1	Alternator Assy
	H1	56409232	1	Backup Alarm
	H2	56482365	1	Horn 36V
	K9	56395450	1	Contactactor 36V (AUX)
	K10	56395450	1	Contactactor 36V (Steering)
	K14	56416157	1	Relay-Spst (Safety)
	K15	56460098	1	Relay-Dpdt (AUX)
	L2	56397215	1	Solenoid Valve (Dust Guard / Optional)
	LT1	56305627	1	Trouble Lamp
	M17	56110742	1	Pump-Chemical Metering (EcoFlex / Optional)
	M18	56110742	1	Pump-Chemical Metering (EcoFlex / Optional)
	M19	56413810	1	Pump-36V (EcoFlex / Optional)
	M22	56510574	1	Pump-36V (Dust Guard / Optional)
	M23	56510451	1	Pump-36V (Spray Wand Kit / Optional)
	M25	56413810	1	Pump-36V (Extended Scrub / Optional)
	S9	7-82-00050	1	Switch-Seat
	S11	56418381	1	Switch-N.C. Pressure (LPG)
	S12	56510613	1	Fuel Level Sensor
	S13	56305053	1	Switch-Battery Interlock
	S14	56111109	1	Key Switch Assembly
	S15	56407130	1	Disconnect-Emergency
	Y1	NA	1	Clutch-High Pressure Pump (part of High Pressure Pump Assy 56509812 / Optional)

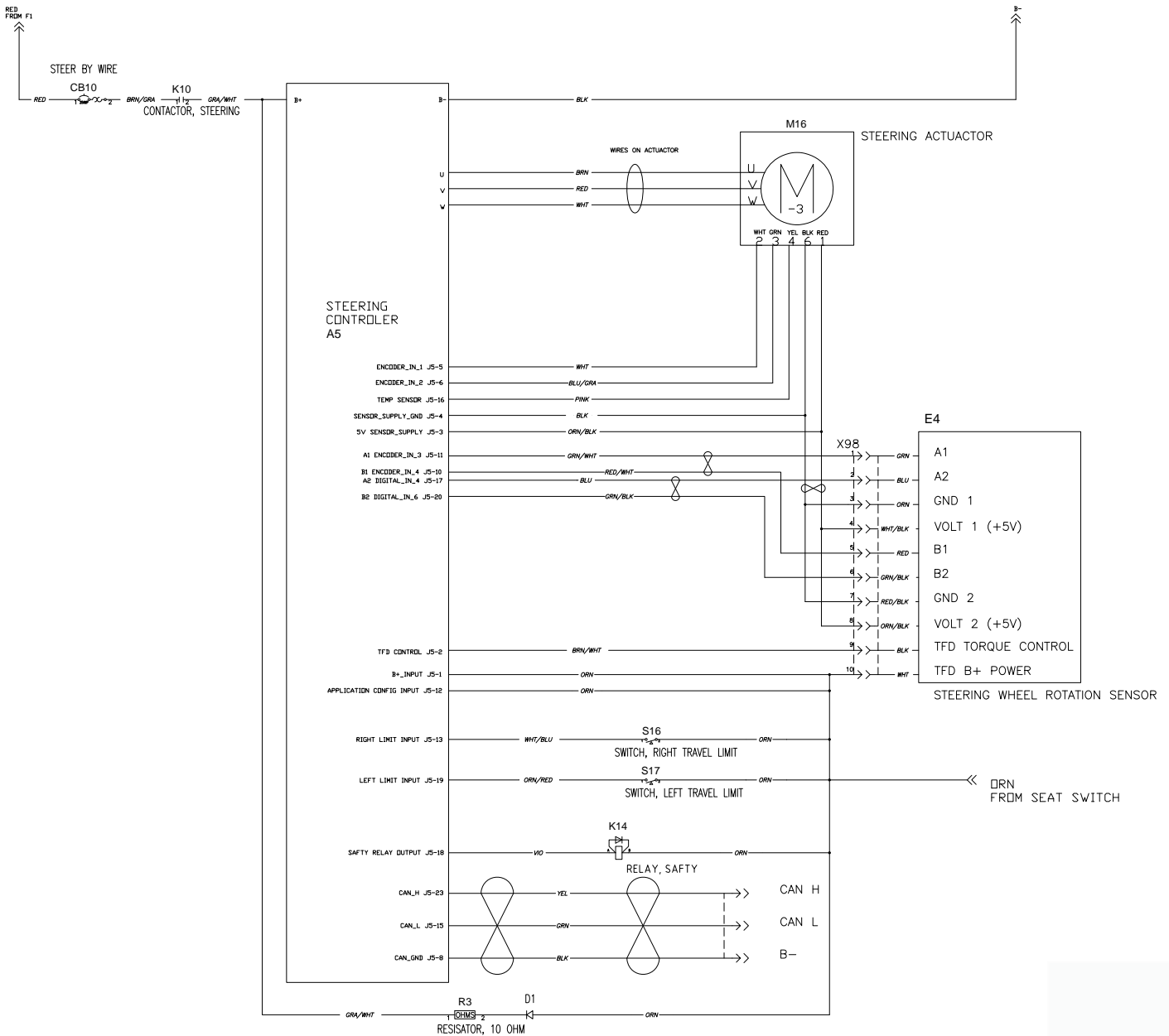


Kit	Item	Ref. No.	Qty	Description
	A1	56509626	1	Main Controller
	B1	56510042	1	Current Sensor (Brush)
	B2	56510042	1	Current Sensor (Broom)
	B3	56510042	1	Current Sensor (Vac)
	K1	56395450	1	Contactactor 36V (Left Brush)
	K2	56395450	1	Contactactor 36V (Center Brush)
	K3	56395450	1	Contactactor 36V (Right Brush)
	K4	56395450	1	Contactactor 36V (Main Broom)
	K5	56395450	1	Contactactor 36V (Vac Motors)
	K6	56395450	1	Contactactor 36V (Dust Control)
	K8	56395450	1	Contactactor 36V (Side Brooms)
	K11	56397250	1	Contactactor 36V (Hydraulic Pump)
	K12	56397250	1	Contactactor 36V (Hydraulic Pump)
	L1	56303275	1	Solenoid Valve Assy
	LT2	56507223	1	Head Light Assy (Right)
	LT3	56507223	1	Head Light Assy (Left)
	LT4	56509559	1	Light-Turn Signal (Right Front / Optional)
	LT5	56510280	1	Right Tail Light (Optional)
	LT6	56510280	1	Left Tail Light (Optional)
	LT7	56509559	1	Light-Turn Signal (Left Front / Optional)
	LT8	56507830	1	Curb Light (Optional)
	LT9	56509918	1	Light Red (Left Rear Turn Signal / Optional)
	LT10	56305223	1	Beacon (Optional)
	LT11	56509918	1	Light Red (Right Rear Turn Signal / Optional)
	M11	56509439	1	Actuator-Scrub Deck
	M12	56509247	1	Actuator-Squeegee Lift
	M13	56413111	1	Actuator-Side Broom
	M14	56510728	1	Motor-Shaker
	M21	56509438	1	Actuator-Broom Lift
	M26	56509414	1	Actuator-Dump Door
	R4	NA	1	Part of Main Broom Actuator 56509438
	S1	56305053	1	Sensor-Proximity (Scrub Deck Retract Limit)
	S3	56305053	1	Sensor-Proximity (Hopper Interlock)
	S4	56509932	1	Switch-Extended Scrub Level (Optional)
	S5	56305053	1	Sensor-Proximity (Brake)
	S6	56509761	1	Switch-Vacuum (Plugged Filter Kit / Optional)
	S7	56305053	1	Sensor-Proximity (Hopper Dump Door Extent)
	S8	56305053	1	Sensor-Proximity (Hopper Dump Door Retract)
	S10	56418405	1	Switch-Temperature (Hopper Temp Sensor Kit)



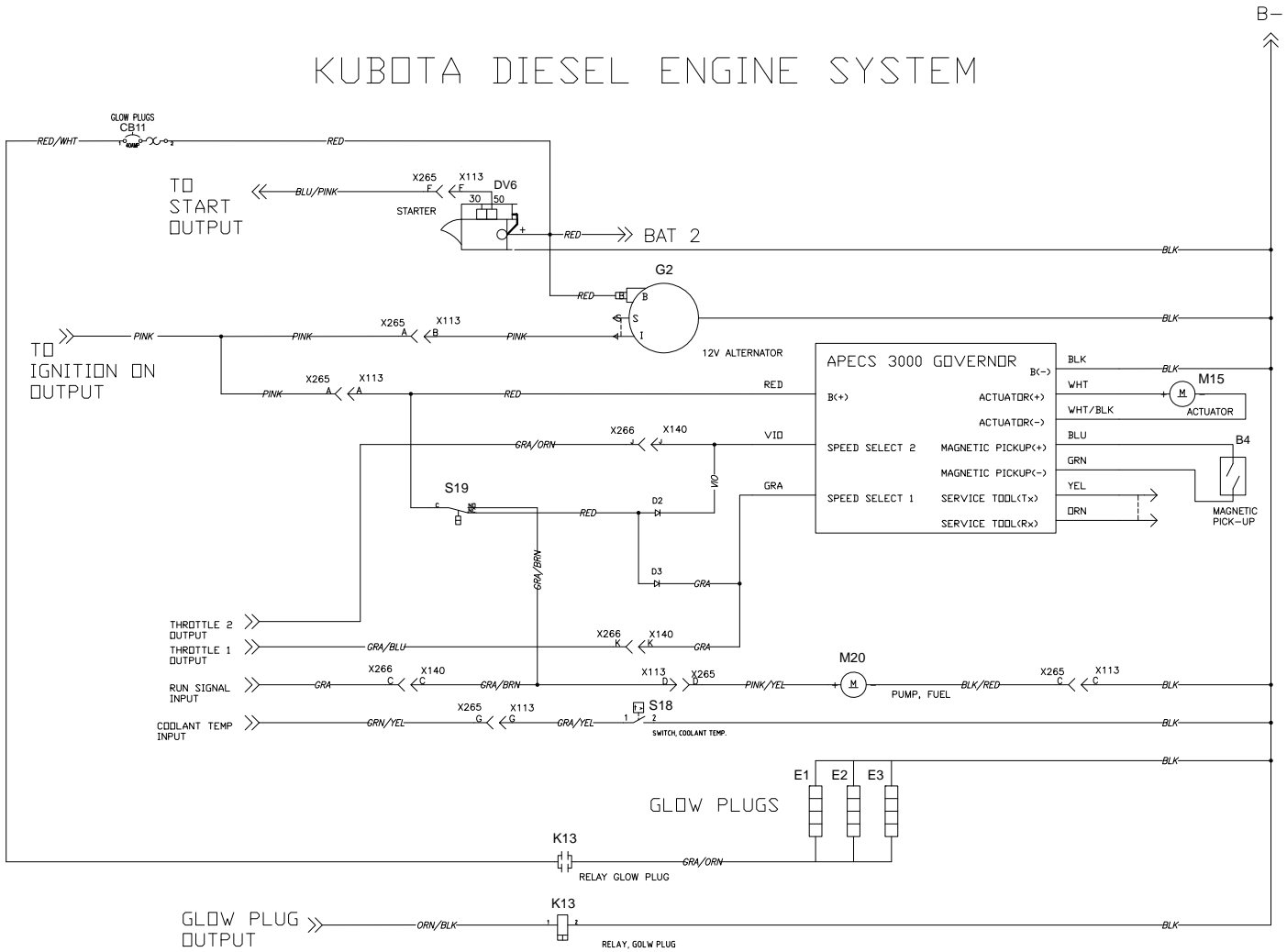
Kit	Item	Ref. No.	Qty	Description
	A2	56509172	1	Controller-Motor Speed
	CB5	56507644	1	Circuit Breaker-10 Amp (Dust Control)
	CB7	56509623	1	Circuit Breaker-25 Amp (Side Broom)
	CB8	56509623	1	Circuit Breaker-25 Amp (Hydraulic Pump)
	F2	56412089	1	Fuse-150 Amp
	K1	56395450	1	Contactactor 36V (Left Brush)
	K2	56395450	1	Contactactor 36V (Center Brush)
	K3	56395450	1	Contactactor 36V (Right Brush)
	K4	56395450	1	Contactactor 36V (Main Broom)
	K5	56395450	1	Contactactor 36V (Vac Motors)
	K6	56395450	1	Contactactor 36V (Dust Control)
	K7	56303198	1	Contactactor 36V Type 4 (Wheel Drive)
	K8	56395450	1	Contactactor 36V (Side Brooms)
	K11	56397250	1	Contactactor 36V (Hydraulic Pump)
	K12	56397250	1	Contactactor 36V (Hydraulic Pump)
	M1	56510758	1	Motor-Broom
	[]	56510765	1	Motor Brush Kit (for 56510758)
	M2	56510291	1	Motor-Left Brush
	[]	56510763	1	Brush Kit (for 56510291)
	M3	56510291	1	Motor-Center Brush
	[]	56510763	1	Brush Kit (for 56510291)
	M4	56510292	1	Motor-Right Brush
	[]	56510763	1	Brush Kit (for 56510292)
	M5	56509561	1	Motor-Dust Control
	M6	56510209	1	Motor-Vac-36vdc
	M7	56510209	1	Motor-Vac-36vdc
	M8	56510482	1	Motor-Right Side Broom Assy
	[]	56510844	1	Brush Kit-Motor (for 56510318 & 56510482)
	M9	56510318	1	Motor-Left Side Broom Assy
	[]	56510844	1	Brush Kit-Motor (for 56510318 & 56510482)
	M10	56509373	1	Motor-Hydraulic Pump
	M24	56509168	1	Motor-Traction
	R1	NA	1	Pot-5K Ohm (part of Foot Pedal Assy 56601052)

[] = Not Shown



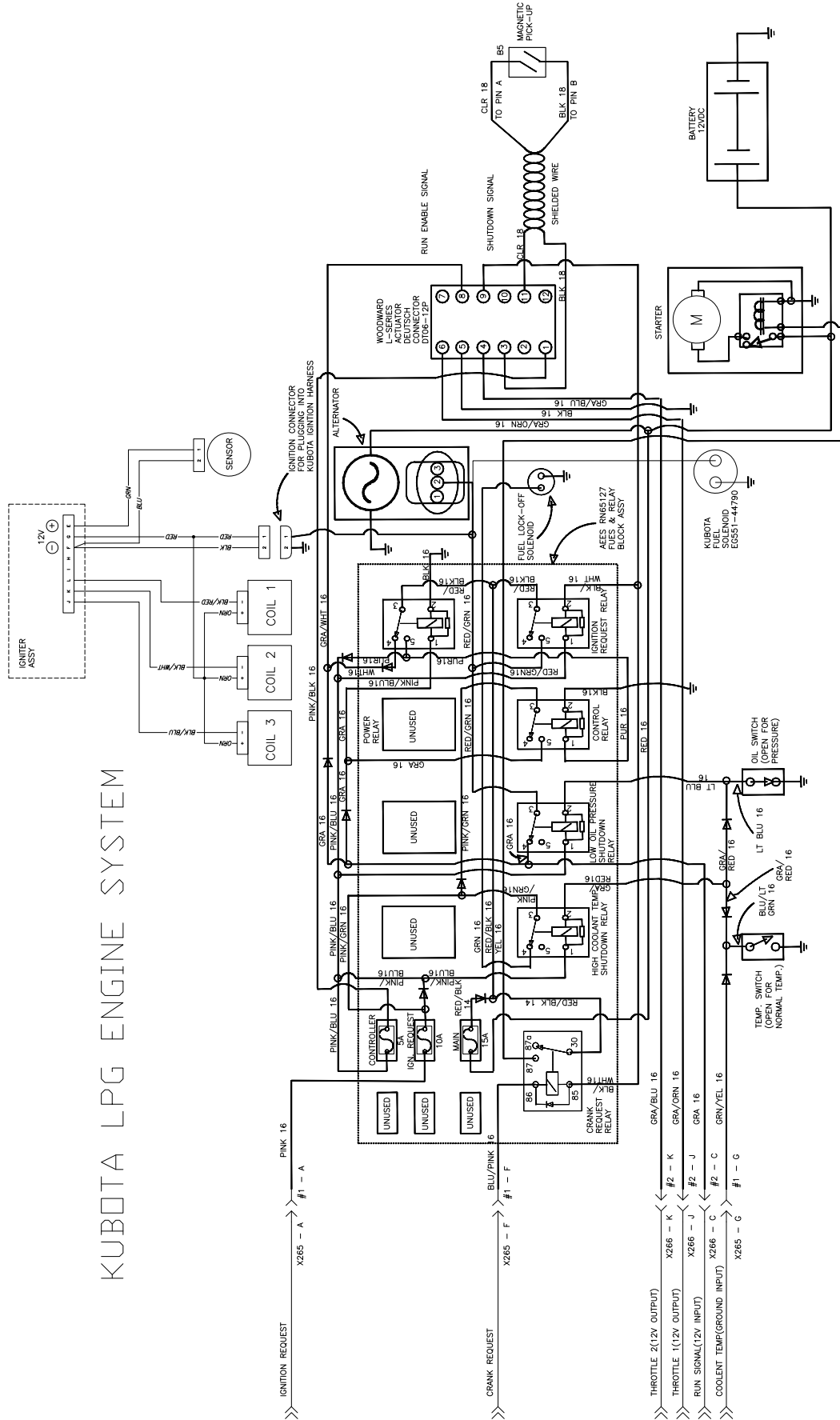
Kit	Item	Ref. No.	Qty	Description
	A5	56510729	1	Controller-Steering
	CB10	56509623	1	Circuit Breaker-25 Amp (Steering)
	E4	56510408	1	Torque Feedback Device
	K10	56395450	1	Contactactor 36V (Steering)
	K14	56416157	1	Relay-SPST (Safety)
	M16	56380406	1	Actuator-Steering 36V
	R3	NA	1	Resistor-10 Ohm
	S16	56305053	1	Sensor-Proximity (Right Travel Limit)
	S17	56305053	1	Sensor-Proximity (Left Travel Limit)

KUBOTA DIESEL ENGINE SYSTEM



Kit	Item	Ref. No.	Qty	Description
	B4	NA	1	Magnetic Pick-Up (part of Apecs 3000 Governor 56510350)
CB11		56509624	1	Circuit Breaker-40A (Glow Plugs)
DV6		56419089	1	Starter
	E1	NA	1	Glow Plug
	E2	NA	1	Glow Plug
	E3	NA	1	Glow Plug
	G2	56510385	1	Alternator
K13		56110423	1	Relay-SPST 12V 75A
		56510350	1	Apecs 3000 Governor
M15		NA	1	Actuator (part of Apecs 3000 Governor 56510350)
M20		56508355	1	Fuel Pump
S18		56419091	1	Switch-Coolant Temp
S19		56508444	1	Switch-Oil Pressure

KUBOTA LPG ENGINE SYSTEM



Kit	Item	Ref. No.	Qty	Description
		0775-295	1	Alternator
		56507994	1	Fuel Lock-Off Solenoid
		56419090	1	Oil Switch
		56419091	1	Temp Switch
		56508440	1	Starter

Ref. No.	Qty	Description
		Kits
* 56509926	1	Extended Scrub Kit
* 56509988	1	Deluxe Seat Kit
* 56509975	1	Overhead Guard Kit-79"
* 56510399	1	Overhead Guard Kit-82"
* 56110733	1	Seat Belt Kit
* 56509556	1	Brake Light/Turn Signal Kit
* 56509675	1	Rear Corner Roller Kit
* 56509914	1	Front Corner Roller Kit
* 56510326	1	Super Duty Kit
* 56510605	1	Fire Extinguisher Kit
* 56305519	1	Back-Up Alarm Kit
* 56509994	1	Floor Mat Kit
* 56510683	1	Ecoflex Kit-Advance
* 56509811	1	High Pressure Pump Kit-Diesel
* 56509810	1	High Pressure Pump Kit-Lpg
* 56509729	1	Plugged Filter Switch Kit
* 56509728	1	Hopper Temperature Sensor Kit
* 56510448	1	Tilt Steering Assembly
* 56510405	1	Work Light Kit
* 56510407	1	Overhead Guard Beacon Kit
* 56510444	1	Overhead Guard Canopy Kit
* 56510414	1	Warning Beacon Kit
* 56510424	1	Solution Fill Shut-Off Kit
* 56510443	1	Vac Wand Kit
* 56510368	1	Wash Hose Kit
* 56510015	1	Water Heater Option-LPG
* 56510464	1	Water Heater Option-Diesel
* 7-03-04250	1	Arm Rest Option (R/H Only)
* 56510201	1	Squeegee Guard Kit
* 56510450	1	Front Bumper Kit
* 56601410	1	Drain Hose Extension
* 56111280	1	Recovery Tank Clean Out Kit
* 56510465	1	Accessory Socket Kit
* 56509481	1	Dust Guard Kit

NOTE: Replacement parts for the kits listed above can be found on each kit's associated instruction sheet.

		Squeegee Blade Kits (See Squeegee Blade Selector Guide)
	56510371	1 Blade kit-Squeegee Red Gum NOTE 1
*	56510372	1 Blade kit-Squeegee Gum NOTE 1
*	56510373	1 Blade Kit-Squeegee PU NOTE 1
		Deck Blade Kits
	56510374	1 Blade Kit-Deck Red Gum NOTE 2
*	56510375	1 Blade Kit-Deck Gum NOTE 2
*	56510376	1 Blade Kit-Deck PU NOTE 2
		Accessories
*	56044590	1 Literature Pack
		Optional Batteries
*	56303054	1 Battery 36V 770 Amp Hr
*	56303055	1 Battery 36V 560 Amp Hr Sealed
*	56303056	1 Battery 36V 595 Amp Hr
*	56303057	1 Battery 36V 510 Amp Hr
*	56303593	1 Battery, 36V 770ah - Export
		Optional Battery Chargers
*	56303331	1 Charger 36V Scr, 1 Phase
*	56303332	1 Charger 36V Scr, 3 Phase
*	56303333	1 Charger 36V Ferro, 1 Phase
*	56303334	1 Charger 36V Ferro, 3 Phase
*	56303594	1 Charger, 36V 3ph - China
		Scrub Brushes (See Brush Selector Guide)
*	56505780	3 Short Trim Pad Holder
*	56505195	3 Pad Retainer for 56505750
*	56505785	3 ProLite
*	56505784	3 Prolene
*	56505786	3 Union Mix
*	56505783	3 AgLite Grit 500
*	56505787	3 MidGrit 240
*	56505788	3 MidLite Grit 180
*	56505782	3 Dyna Grit 80
*	56505781	3 Magna Grit 46
		Main Brooms
	33018858	1 Broom-Main Prolene/Wire
*	33018856	1 Broom-Main Nylon
*	33018857	1 Broom-Main Prolene
*	33018859	1 Broom-Main Union Mix / Natural
		Side Brooms
	56510707	1 Broom-Side Poly

* = Optional, Not Included

NOTE 1: All squeegee blade kits include both front and rear squeegee blades.

NOTE 2: All Deck Blade Kits include all blades for both skirt assemblies

We provide brushes and pad holders that will give you the best possible performance between machine and floor. Following are descriptions of the materials and their applications.

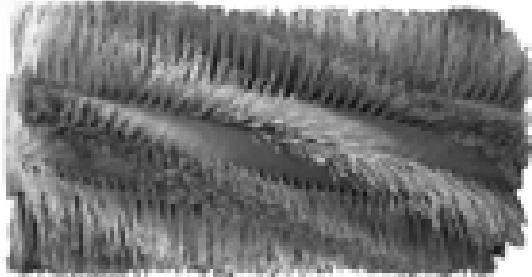
- ProLite:** Bristles are made from light-duty polypropylene for general scrubbing when you do not want to scratch or remove finish from the floor. Recommended for use in place of red pads.
- Prolene:** Polypropylene material for medium-duty scrubbing on concrete, terrazzo and vinyl floor tile. Recommended for use in place of green or blue pads.
- Union Mix:** Medium grade natural fibers for polishing finished floors with standard-speed equipment. Recommended for use in place of white pads.
- AgLite Grit 500:** For light scrubbing when used wet; buffing or polishing when used dry on urethane coated, sealed concrete or other resilient hard surface floors. Recommended for use in place of red or white pads.
- MidGrit 240:** For general purpose scrubbing when you need a lighter action for sealed or unsealed concrete, stone, terrazzo, quarry tile and other resilient hard floor surfaces. Recommended for use in place of green or blue pads.
- MidLite Grit 180:** For general purpose scrubbing of sealed or unsealed concrete, stone, terrazzo, quarry tile and other resilient hard floor surfaces. Recommended for use in place of green or blue pads.
- Dyna Grit 80:** For aggressive, heavy-duty scrubbing or stripping of floors. Recommended for use in place of brown pads.
- Magna Grit 46:** For extreme heavy-duty scrubbing or stripping of floors. This brush has extra large diameter silicon carbide grit impregnated synthetic bristles. Recommended for use in place of black pads.
- Short Trim Pad Holder:** Made with a structural foam block and center ring for correct pad centering. It has a "shower feed" design for getting solution to the floor.

BRUSHES

- 56505780 - Short Trim Pad Holder
 56505195 - Pad Retainer for 56505800
 56505785 - ProLite
 56505784 - Prolene
 56505786 - Union Mix
 56505783 - AgLite Grit 500
 56505787 - MidGrit 240
 56505788 - MidLite Grit 180
 56505782 - Dyna Grit 80
 56505781 - Magna Grit 46

DISC BRUSH APPLICATION GUIDE (SUGGESTION ONLY)

	46	80	180	240	500			Union
Application	Grit	Grit	Grit	Grit	Grit	Prolene	Prolite	Mix
Stripping:								
Concrete	X	X						
Terrazzo	X	X						
Ceramic/Quarry tile		X						
Vinyl tile		X						
General Scrubbing:								
Concrete	X	X	X	X		X		
Terrazzo			X	X	X	X		
Ceramic/Quarry tile			X	X	X	X		
Marble					X		X	
Vinyl tile			X		X	X		
Raised-rubber tile					X		X	
Polishing:								
Raised Disc Tile								X
Marble								X
Vinyl tile								X



Main Broom: 33018858 Prolene & Wire (STD.) (6 Double Rows)

This broom has a more aggressive cleaning action, used to pick up heavier debris.

33018857 Prolene (Optional) (6 Double Rows)

A top quality synthetic fiber. This filament is made for a wide variety of applications. Retains its stiffness when wet and resists abrasive chemicals, solvents and oils. A general purpose material offering high performance for a wide range of applications.

33018856 Nylon (Optional) (6 Double Rows)

General purpose broom that can be used for all types of light soil. High wear material so uneven surfaces do not cause excessive wear. Nylon has a high heat deflection temperature, is chemical resistant and will absorb water in wet conditions. Truly a general purpose broom.

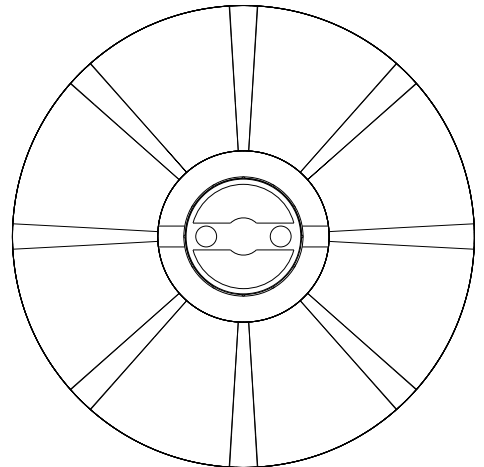
33018859 Union Mix (Optional) (6 Double Rows)

Medium grade natural fibers.

6 Double Row

Length.....35.43" (90 cm)

Diameter12.20" (31 cm)



Side Broom: 56510707 Polypropylene (STD.)

The side broom function is to sweep the dirt and debris away from the curb, wall, pallet, etc. into the path of the main broom.



Diameter22" (56 cm)

90

CS7000

Gum Rubber: Provides superior wiping action on tile, terrazzo, and polished floors.

Red Gum Rubber: Provides longest life on finished or unfinished concrete floors.

Polyurethane: Oil resistance provides superior life in applications with oily floors.

SQUEEGEE BLADE APPLICATION GUIDE(SUGGESTION ONLY)

Performance Traits	Gum Rubber (Natural Rubber)	Red Gum Rubber (Natural Rubber)	Polyurethane/ Pentathane
Resilience	X		X
Tear Strength	X		X
Abrasion Resistance	X	X	X
Wear Resistance		X	X
Low Temp Flexibility	X	X	
High Temp Flexibility	X		X
Ozone Resistance			
Chemical Resistance			X
Applications			
Oil Resistant Applications			X
General Purpose	X	X	X
Hot Water Applications		X	X
Chemical Applications			X
Appearance	Tan	Red	Translucent



14600 21st Avenue North
Plymouth, MN 55447-3408
www.advance-us.com
Phone: 800-989-2235
Fax: 800-989-6566
©2011 Nilfisk-Advance, Inc.

A Nilfisk-Advance Brand