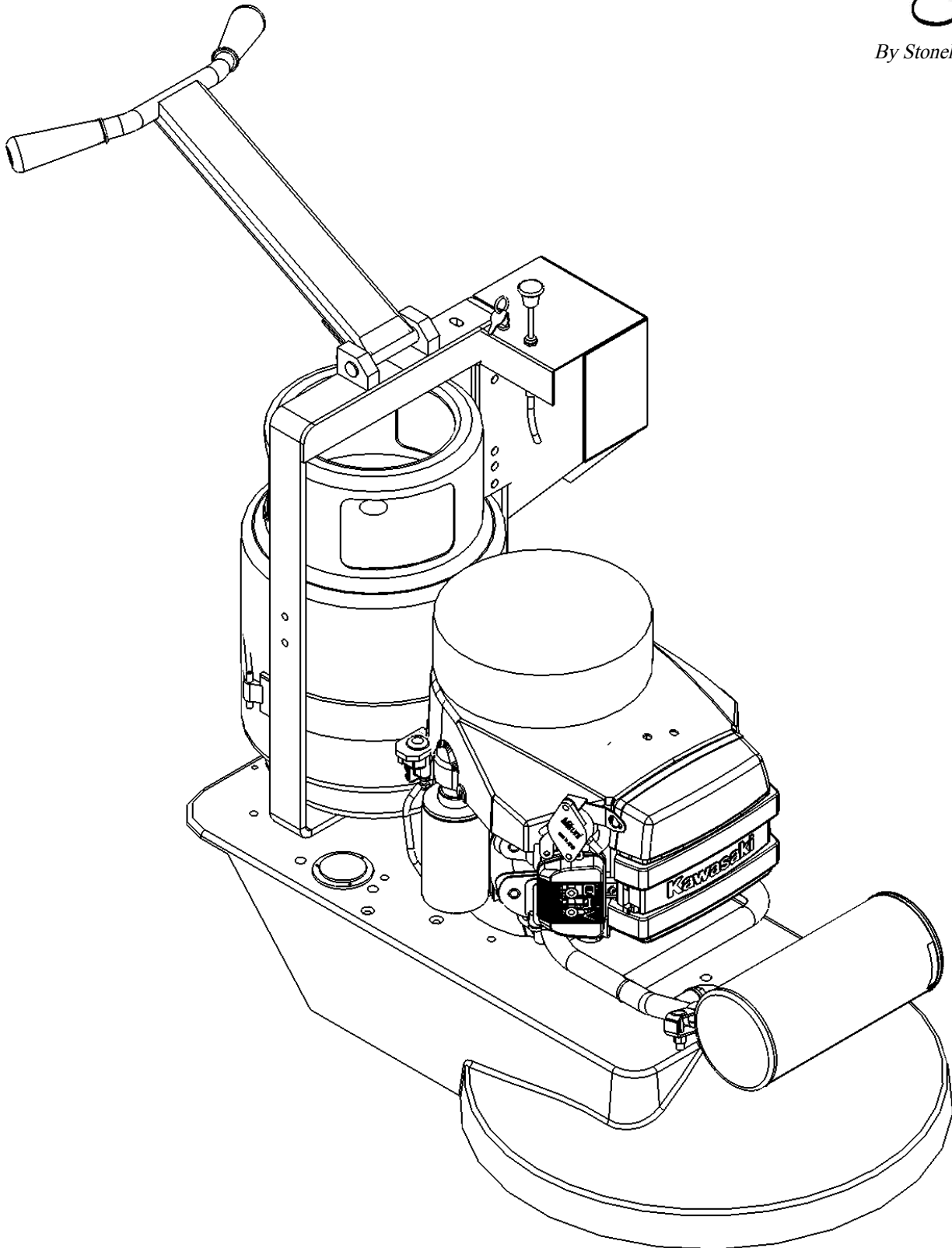


# 2100 SERIES

*Eagle*

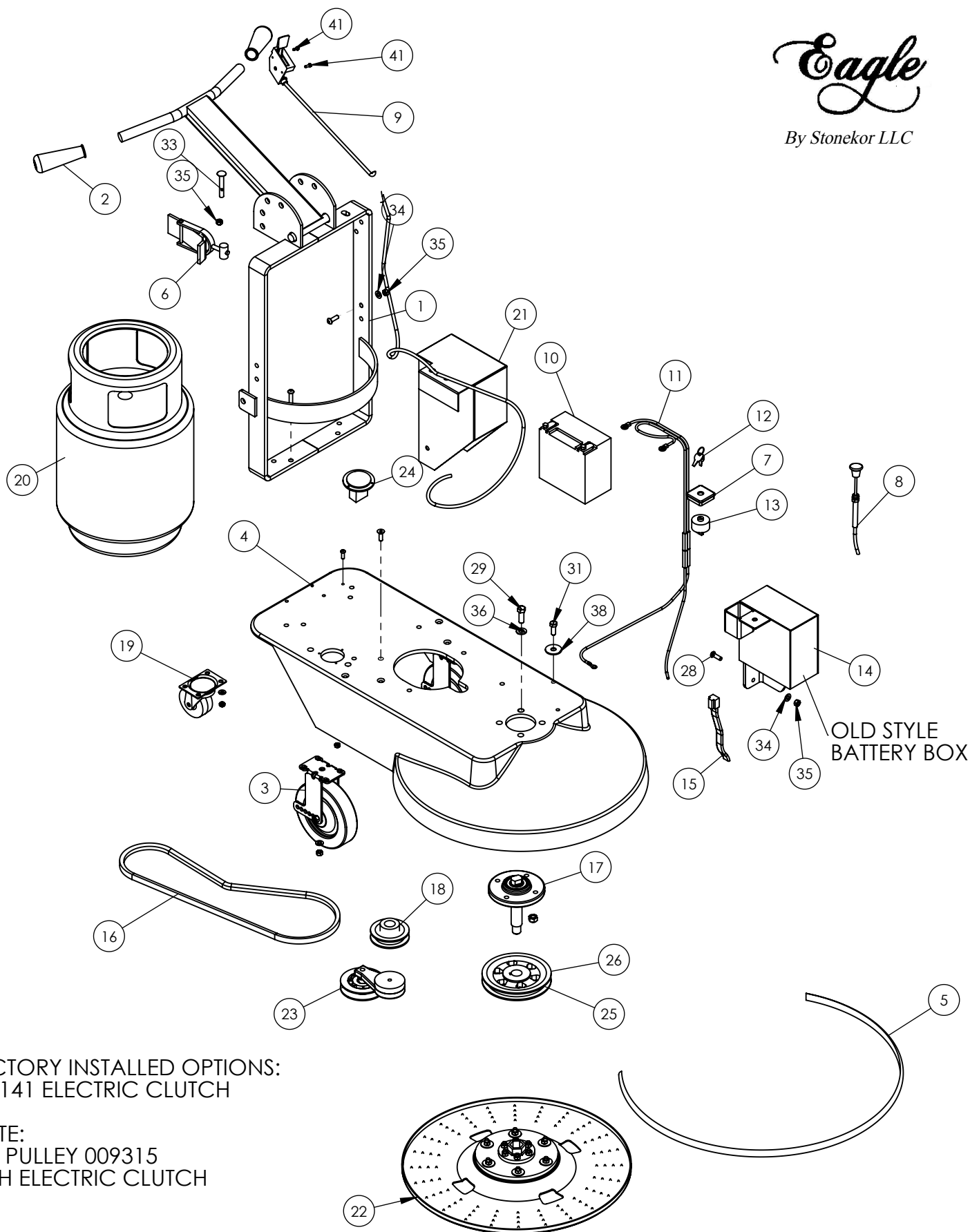
*By Stonekor LLC*



# 2100 SERIES BUFFER DECK SUB ASSEMBLY

*Eagle*

By Stonekor LLC



OLD STYLE BATTERY BOX

FACTORY INSTALLED OPTIONS:  
300141 ELECTRIC CLUTCH

NOTE:  
USE PULLEY 009315  
WITH ELECTRIC CLUTCH

## 2100 SERIES BUFFER DECK SUB ASSEMBLY

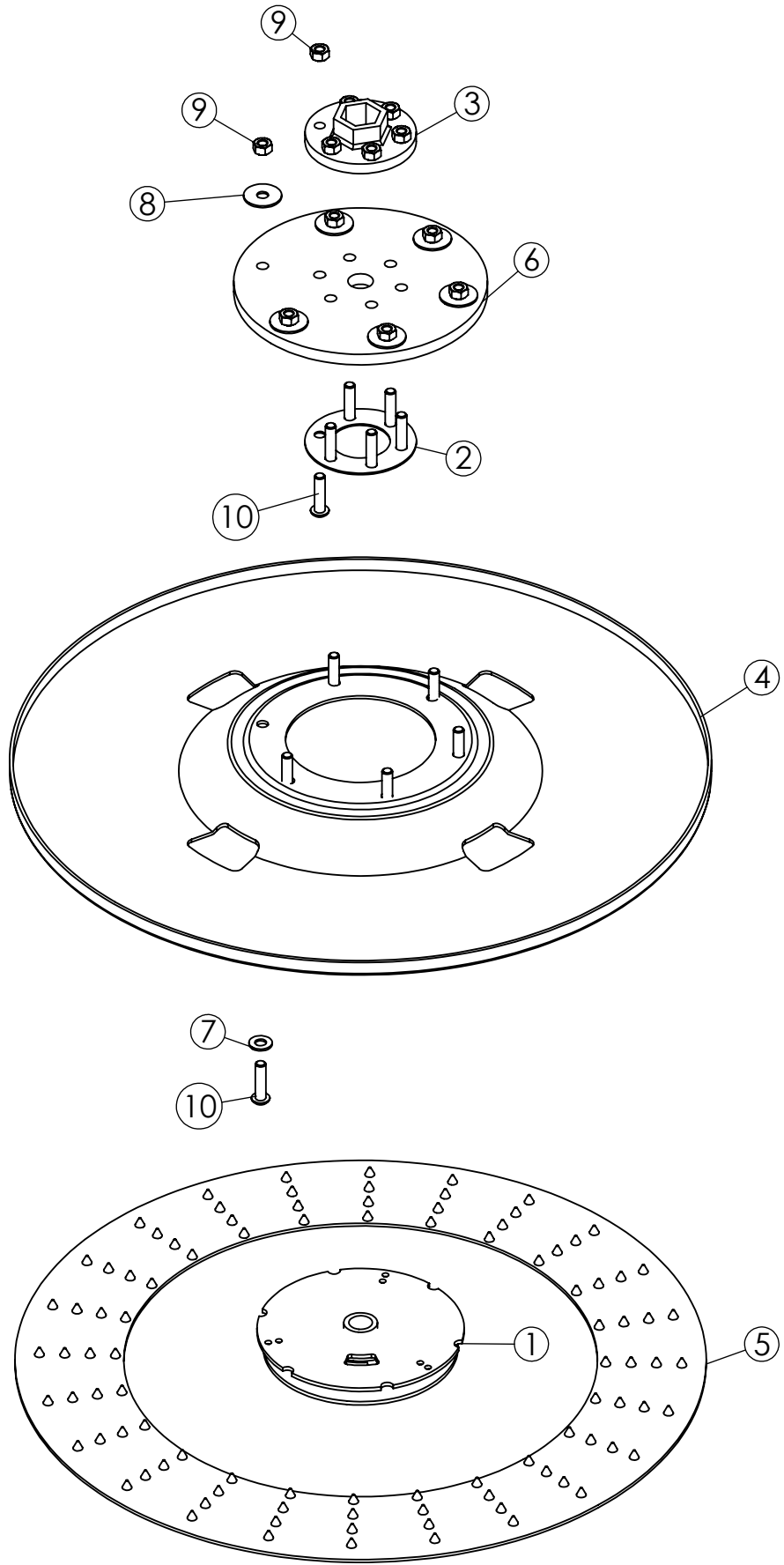
ITEM NO.	PART NUMBER	DESCRIPTION	QTY.
1	300174	HANDLE	1
2	1010	HANDLE GRIP	2
3	300165	WHEEL WITH BRACKET 6 X 5	2
4	300221	DECK 21" ALUM	1
5	1600	BUMPER MOULDING BUFFERS 6 FT	1
6	1003	TOGGLE	1
7	680209	KEY SWITCH HOUSING	1
8	680255	CHOKE CABLE PUSH / PULL (KAWASAKI / ROBIN)	1
9	680599	THROTTLE CABLE WITH STOPS	1
10	4002	BATTERY SM 12V	1
11	680296	BATTERY CONNECTOR COMPLETE - KAWASAKI	1
12	680082	REPLACEMENT KEY	1
13	300171	KEY SWITCH	1
14	680198	BATTERY BOX WITH KEY SWITCH / CHOKE	1
15	680223	WIRE HARNESS KAWASAKI	1
16	200340	BELT BX-40	1
17	300156	FRONT BEARING ASSY. STD (OLD # 681372)	1
18	001300	PULLEY, 3.5 X 1	1
19	1210	CASTER 3 X 1.5	1
20	680053	LP TANK (ALUM)	1
21	300179	BATTERY BOX (NEW)	1
22	300143	21" PAD DRIVER COMPLETE	1
23	680371	TENSIONER 21" BUFFER	1
24	200111	HOUR METER	1
25	001310	PULLEY, 6.2 X 1	1
26	009315	PULLEY, 7.0	1

## 2100 SERIES BUFFER DECK SUB ASSEMBLY

ITEM NO.	PART NUMBER	DESCRIPTION	QTY.
27	200842	5/16-18 x 1-1/4 Button Soc Cap Screw	4
28	200902	5/16-18 x 1 Button Soc Cap Screw	4
29	200849	7/16-20 x 1-1/4 Hex Head Cap Screw	4
30	200831	5/16-18 x 1 Flat Soc Cap Screw (Full Thread)	4
31	200800	3/8-16 x 1 Hex Cap Screw	1
32	200903	1/4-20 x 3/4 Button Soc Cap Screw	2
33	200861	3/8-16 x 2-1/2 Carriage Bolt	1
34	200832	5/16 SAE Flat Washer	8
35	200822	5/16-18 Nylon Insert L/N	8
36	200901	7/16 SAE Flat Washer	4
37	200877	7/16-20 Hex Nut Gr 5 Zinc	4
38	200829	5/16 x 1-1/2 Fender Washer	1
39	200900	1/4 SAE Flat Washer	3
40	200881	1/4-20 Nylon Insert L/N	3
41	200910	8 x 1/2 Hex Washer Self Tapping TEK	2

  
 By Stonekor LLC

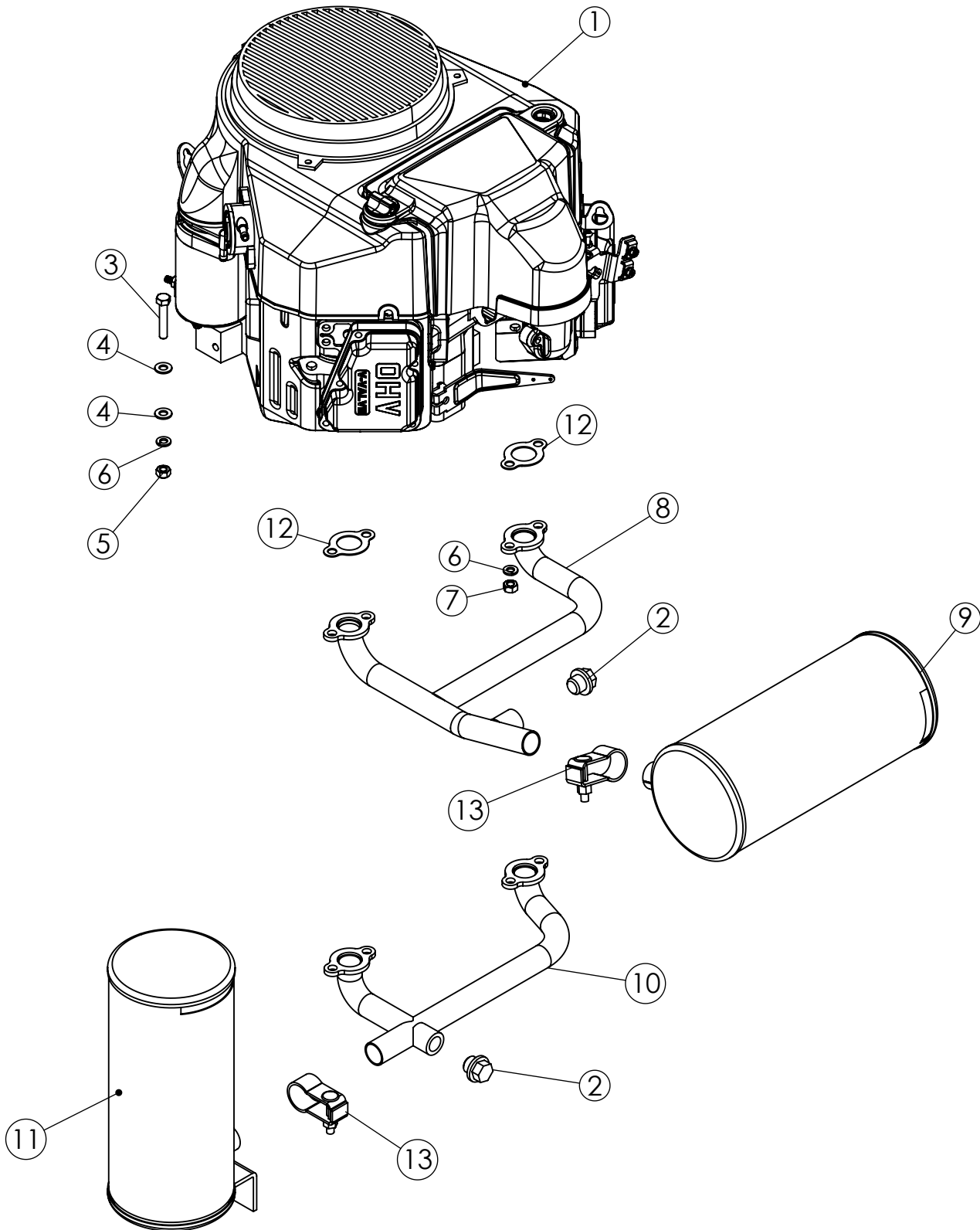
# 21 INCH PAD DRIVER



## 21 INCH PAD DRIVER

ITEM NO.	PART NUMBER	DESCRIPTION	QTY.
1	1410	CENTERLOCK	1
2	680581	FLANGE BACKING RING	1
3	680642	FLANGE 3-5/16	1
4	680675	PAD DRIVER 20.75	1
5	680683-21	PAD FACING 20 7/16" MIGHTY LOK II FACE WITH ADHESIVE	1
6	680679	RUBBER BISCUIT 2004 STYLE	1
7	200832	5/16 SAE Flat Washer	6
8	200829	5/16 x 1-1/2 Fender Washer	6
9	200822	5/16-18 Nylon Insert L/N	12
10	200842	5/16-18 x 1-1/4 Button Soc Cap Screw	12
.	300143	21" PAD DRIVER COMPLETE	

# KAWASAKI FS-481-603 CC EXHAUST SYSTEM



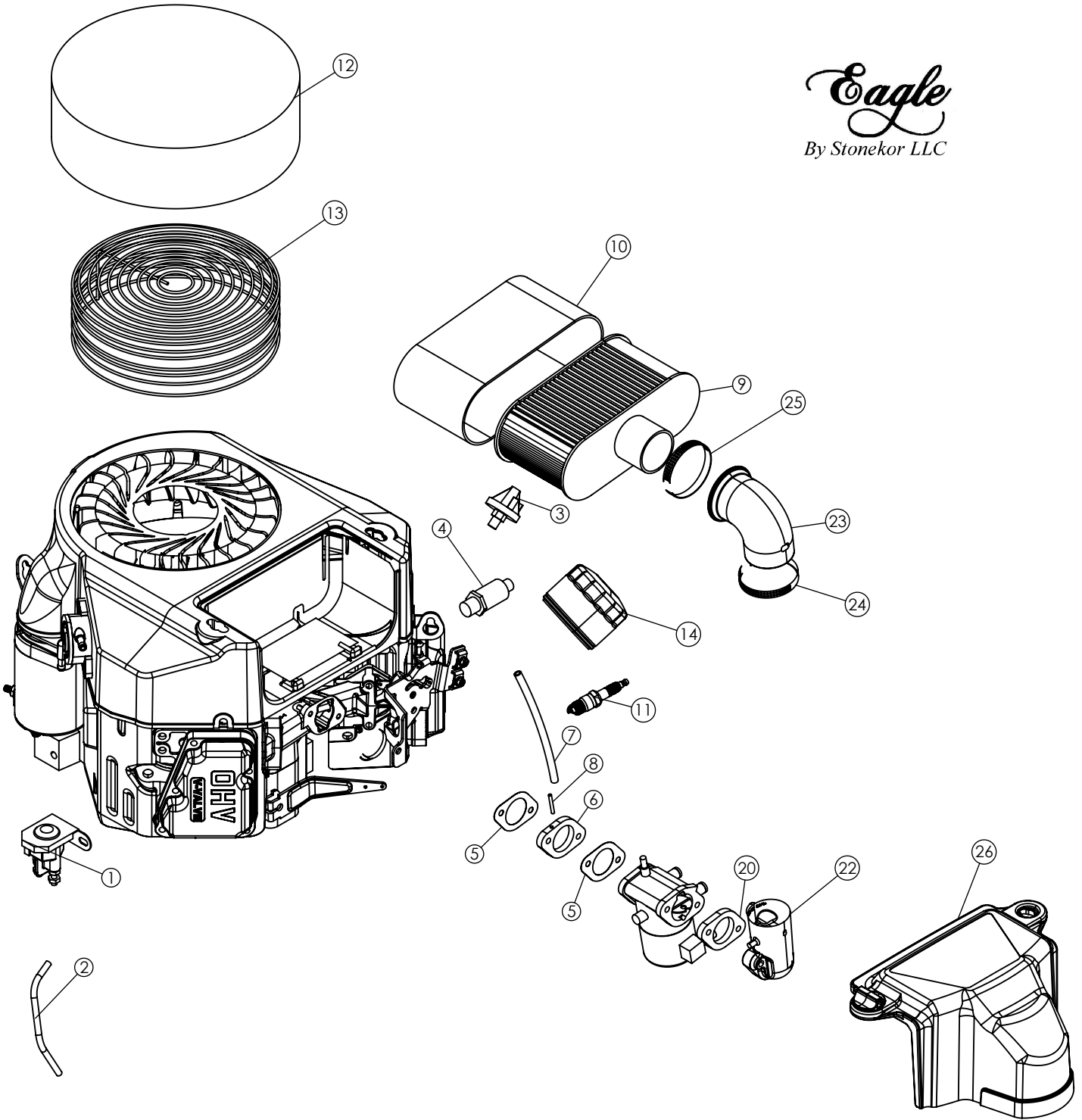
## KAWASAKI FS-481-603 CC EXHAUST SYSTEM

ITEM NO.	PART NUMBER	DESCRIPTION	QTY.
1	300275	KAWASAKI ENGINE FS 481V W/O MUFFLER	1
2	680680	MANIFOLD BOLT PLUG	2
3	200858	5/16-18 x 1-3/4 Hex Cap Screw	4
4	200832	5/16 SAE Flat Washer	7
5	200822	5/16-18 Nylon Insert L/N	4
6	200885	5/16 Split Lock Washer	6
7	200905	8MM x 1.25 Hex Nut	4
8	300229	MANIFOLD HORIZONTAL FS 481 KAWASAKI NEW	1
9	300228	MUFFLER HORIZONTAL FS-481 KAWASAKI NEW	1
10	300233	MANIFOLD VERTICAL FS-481 KAWASAKI NEW	1
11	300232	MUFFLER VERTICAL FS-481 KAWASAKI NEW	1
12	W110607016	GASKET, MANIFOLD	2
13	300187	CLAMP MUFFLER ROBIN	2



# KAWASAKI FS-481 603 CC ENGINE AND CARBURETOR

*Eagle*  
By Stonekor LLC

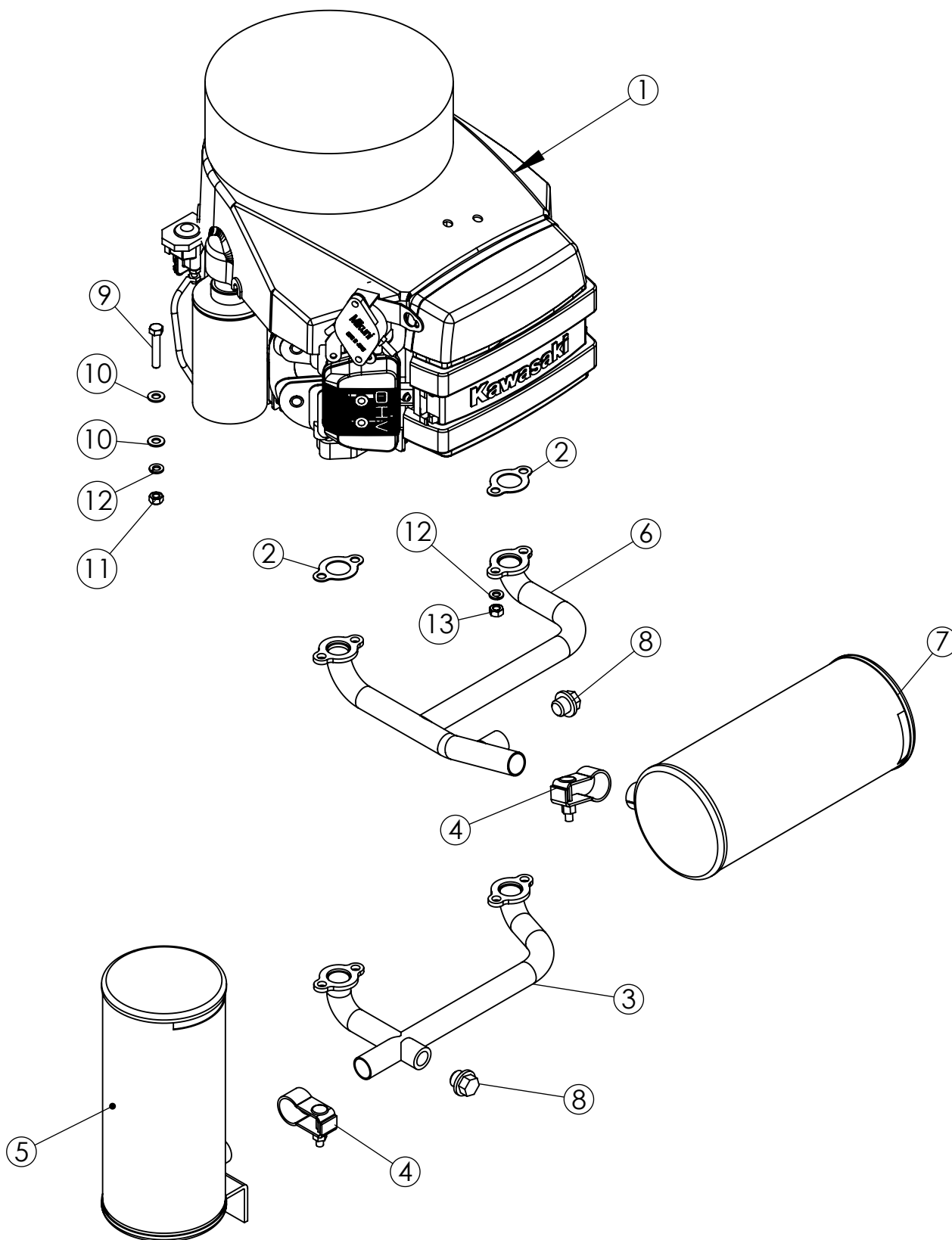


## KAWASAKI FS-481 603 CC ENGINE AND CARBURETOR

ITEM NO.	PART NUMBER	DESCRIPTION	QTY.
1	680226	STARTER SOLENOID KAWASAKI	1
2	680298	STARTER TO SOLENOID WIRE	1
3	680222	OIL SWITCH	1
4	300202	VALVE OIL DRAIN	1
5	W110617004	GASKET AIR FILTER	2
6	W160737007	INSULATOR	1
7	1117	HOSE 3' VAC	1
8	1126	VENT TUBE	1
9	W999990384	ELEMENT AIR FILTER	1
10	W11013-7046	PRE CLEANER (KAWASAKI FS 481 V)	1
11	WBPR4ES	SPARK PLUG BPR4ES	1
12	680224	RECOIL FILTER- KAWASAKI	1
13	680225	RECOIL FILTER SUPPORT	1
14	W49065-7007	FILTER-OIL (KAWASAKI FS 481 V)	1
18	W999966051	CARBURETOR ASSEMBLY KAWASAKI 17 HP	1
19	1143	BRASS ELBOW 3/8 X 3/8 NPT	1
20	R26338001A3	SPACER	1
21	300297	CARB COMPLETE JD FS 481	1
22	W160607042	PIPE-INTAKE	1
23	W92192-7146	TUBE A/C	1
24	W92171-7010	CLAMP	1
25	W92173-7007	CLAMP	1
26	W110117064	CASE-AIR FILTER	1

  
 By Stonekor LLC

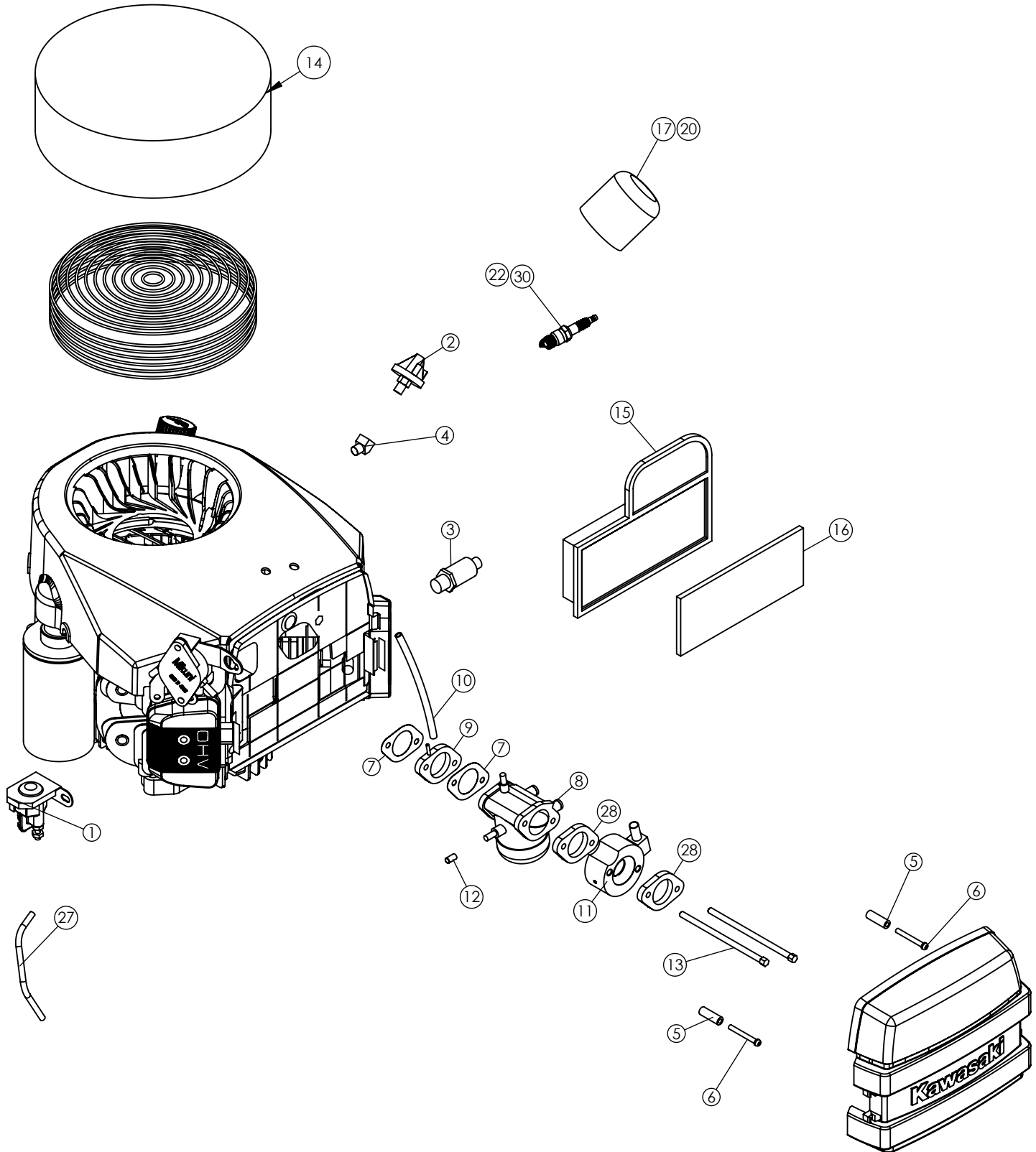
# KAWASAKI FH-541-585 CC EXHAUST SYSTEM



## KAWASAKI FH-541-585 CC EXHAUST SYSTEM

ITEM NO.	PART NUMBER	DESCRIPTION	QTY.
1	300149	KAWASAKI 17 HP COMPLETE W/O MUFFLER & MANIFOLD	1
2	W110607021	GASKET, MANIFOLD	2
3	300153	MANIFOLD KAWASAKI VERTICAL (680656)	1
4	300186	MUFFLER CLAMP KAWASAKI (680269)	2
5	300152	MUFFLER KAWASAKI VERTICAL (680268)	1
6	300151	MANIFOLD KAWASAKI HORIZONTAL	1
7	300150	MUFFLER KAWASAKI HORIZONTAL	1
8	680680	MANIFOLD BOLT PLUG	2
9	200858	5/16-18 x 1-3/4 Hex Cap Screw	4
10	200832	5/16 SAE Flat Washer	7
11	200822	5/16-18 Nylon Insert L/N	4
12	200885	5/16 Split Lock Washer	6
13	200905	8MM x 1.25 Hex Nut	4

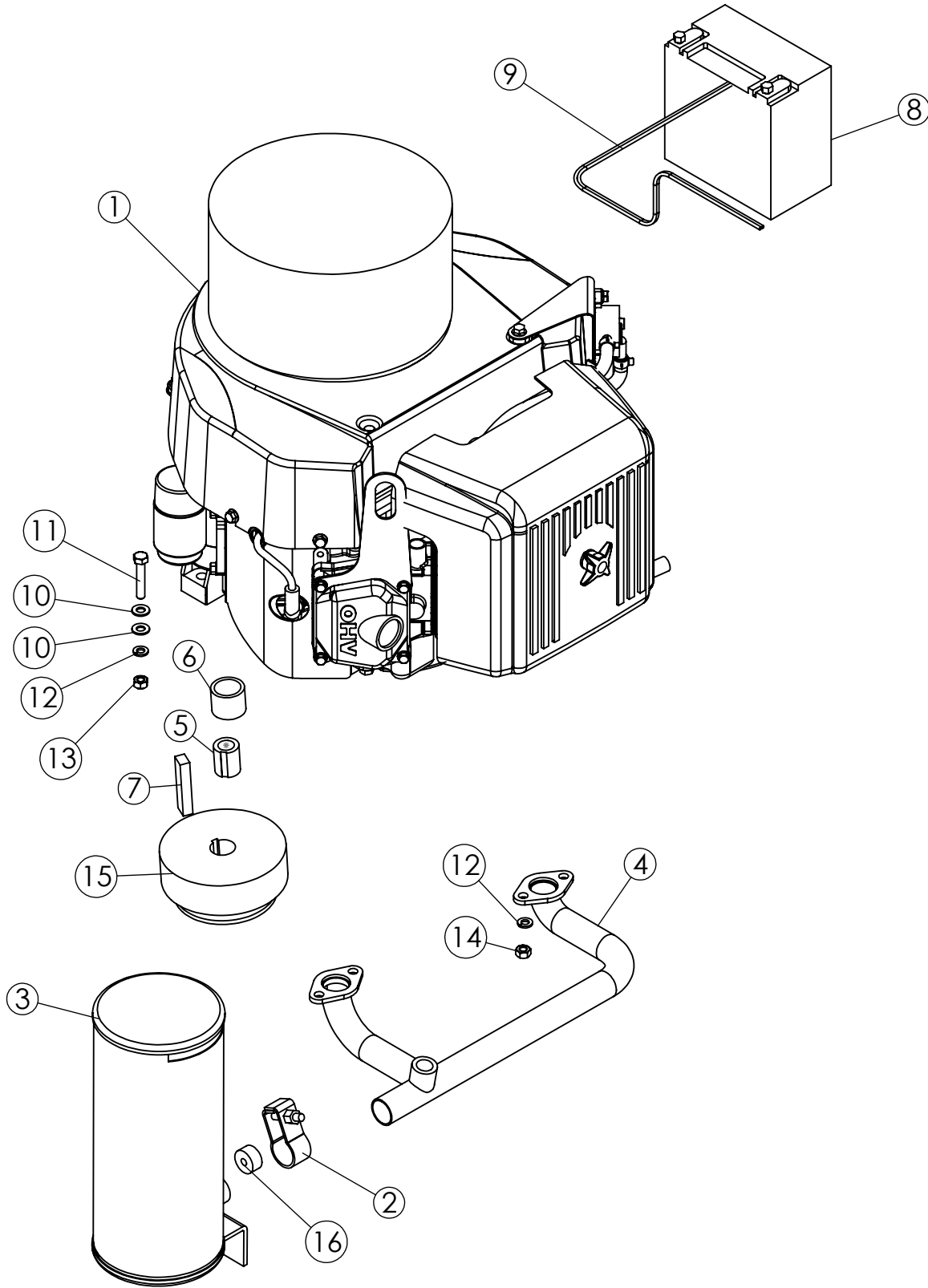
# KAWASAKI FH-541-585 CC ENGINE AND CARBURETOR



## KAWASAKI FH-541-585 CC ENGINE AND CARBURETOR

ITEM NO.	PART NUMBER	DESCRIPTION	QTY
1	680226	STARTER SOLENOID KAWASAKI	1
2	680222	OIL SWITCH	1
3	300202	VALVE OIL DRAIN	1
4	680088	SENDING UNIT ELBOW	1
5	680227	SPACER 1 1/8 KAWASAKI	2
6	680230	SCREW 10-32 X 1 3/4	2
7	W110617004	GASKET AIR FILTER	2
8		CARBURETOR ASSEMBLY ROBIN 22 HP	1
9	W160737007	INSULATOR	1
10	1117	HOSE 3' VAC	1
11	680236	FUEL LOAD BLOCK KAWASAKI	1
12	680235	RUBBER CAP 1/4-KAWASAKI	1
13	680229	STUD M6 X 130 KAWASAKI	2
14	680224	RECOIL FILTER- KAWASAKI	1
15	W11013-7001	AIR FILTER ( KAWASAKI FH541 V )	1
16	W11013-7006	PRE CLEANER (KAWASAKI FH541 V)	1
17	W49065-7010	FILTER-OIL (KAWASAKI FH541 V )	1
18	W49065-7007	FILTER-OIL (KAWASAKI FS 481 V)	1
19	W92070-7004	PLUG, SPARK BPR4ES (NGK), SOLID (KAWASAKI FS 481 V )	2
27	680298	STARTER TO SOLENOID WIRE	1
28	R26338001A3	SPACER	2
29			1
30	WBPR4ES	SPARK PLUG BPR4ES	1

# ROBIN 22 HP EXHAUST SYSTEM LX-30



*Eagle*  
By Stonekor LLC

## ROBIN 22 HP EXHAUST SYSTEM LX-30

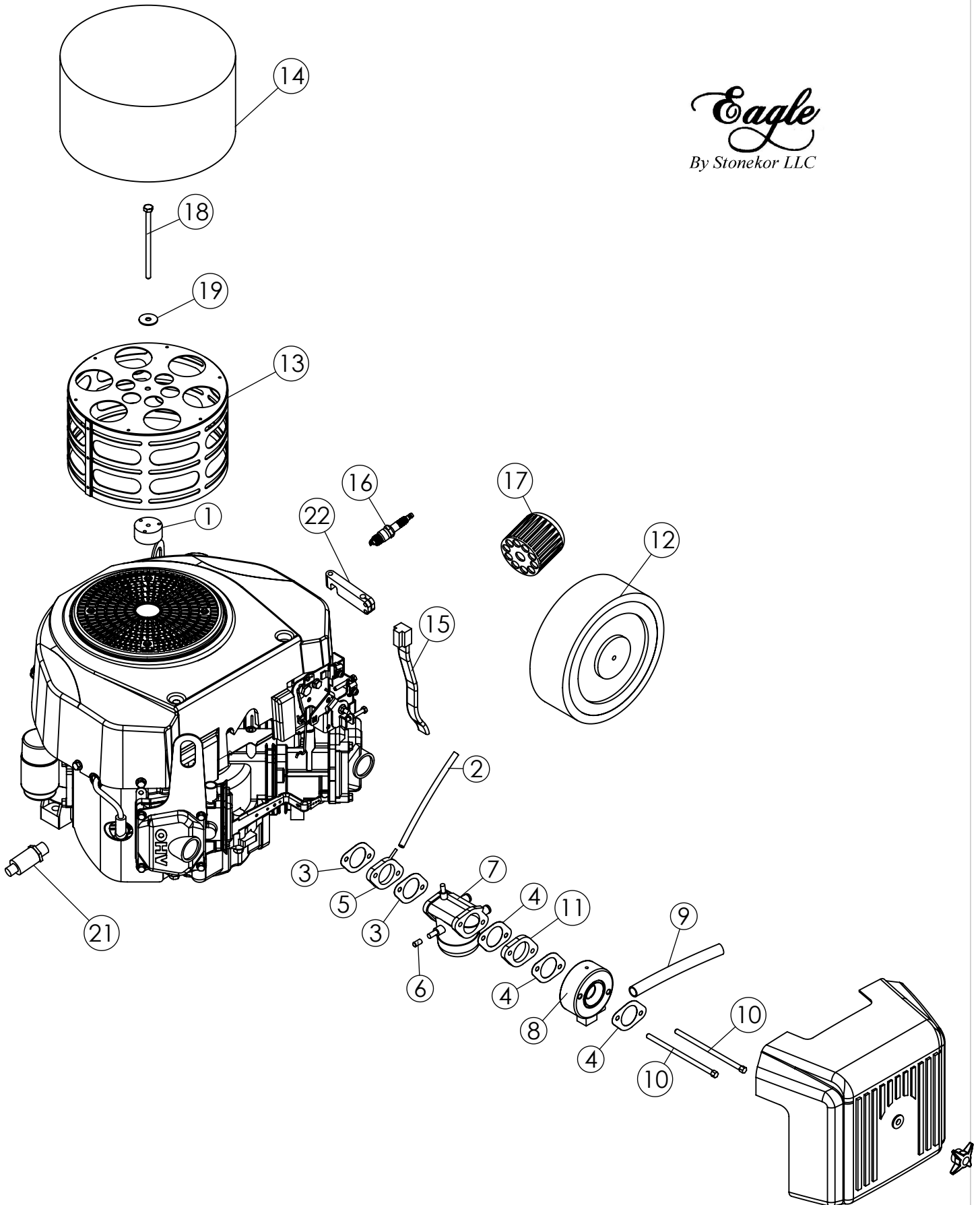
ITEM NO.	PART NUMBER	DESCRIPTION	QTY.
1	300146	ROBIN 22 HP COMPLETE WITHOUT MUFFLER	1
2	300187	CLAMP MUFFLER ROBIN	1
3	300147	VERTICAL MUFFLER	1
4	300148	MANIFOLD ROBIN VERTICAL	1
5	200154	SHAFT EXTENSION ROBIN	1
6	200146	SPACER, CLUTCH	1
7	200155	KEY STOCK	1
8	4002	BATTERY SM 12V	1
9	200124	BATTERY CABLE ASSY	1
10	200832	5/16 SAE Flat Washer	7
11	200858	5/16-18 x 1-3/4 Hex Cap Screw	4
12	200885	5/16 Split Lock Washer	6
13	200822	5/16-18 Nylon Insert L/N	4
14	200905	8MM x 1.25 Hex Nut	4
15	680956	CENTRIFUGAL CLUTCH	1
16	680266	ALUM MUFFLER SPACER 1/2 X 1 X 5/16 HOLE	1

  
 By Stonekor LLC



# ROBIN 22 HP ENGINE AND CARBURETOR

*Eagle*  
By Stonekor LLC

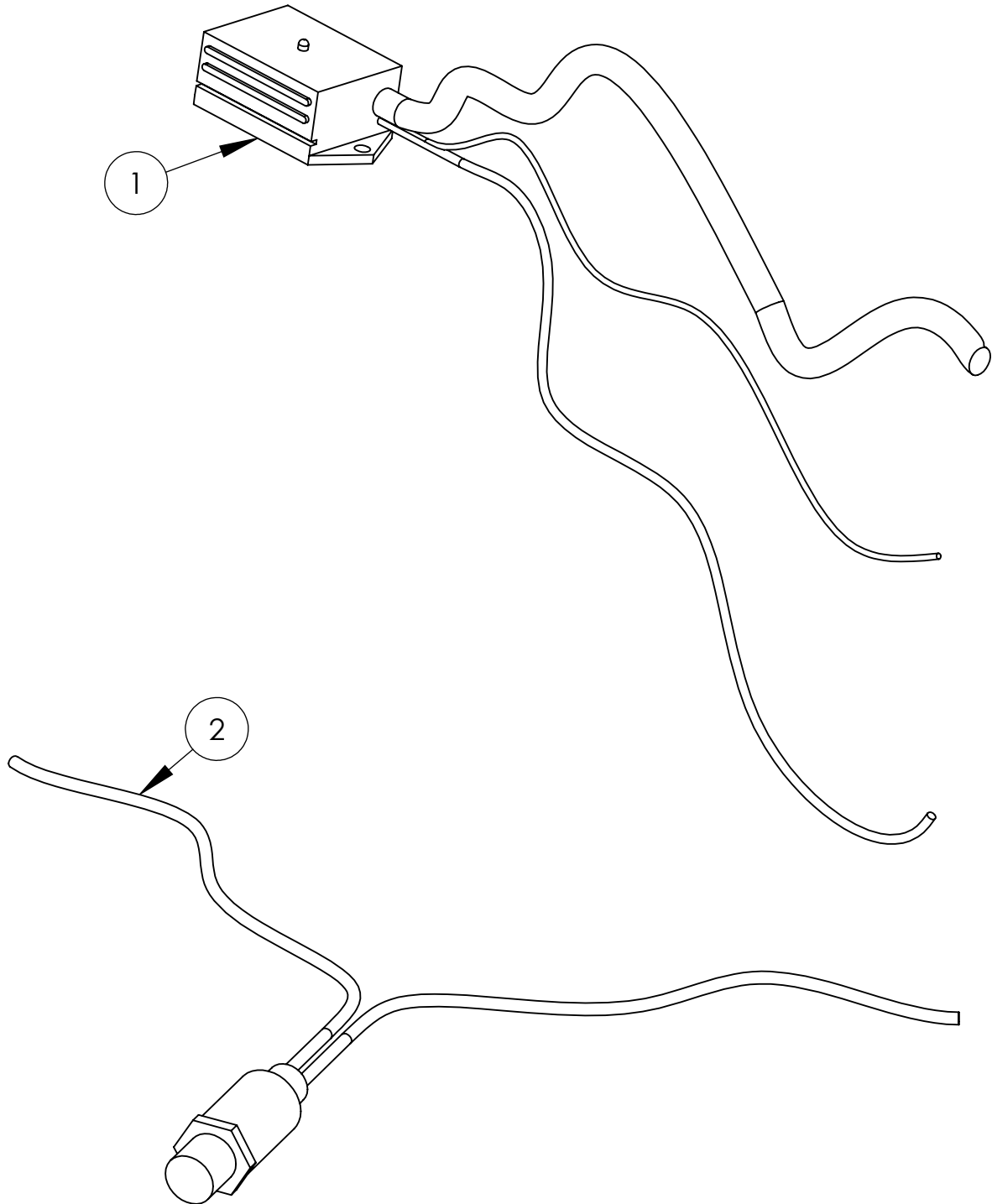


## ROBIN 22 HP ENGINE AND CARBURETOR

ITEM NO.	PART NUMBER	DESCRIPTION	QTY.
1	200128	RECOIL SUPPORT FOR STUD	1
2	1117	HOSE 3' VAC	1
3	R26335501A3	INSULATOR GASKET	2
4	R26335502A3	AIR CLEANER GASKET	3
5	R26335401A3	INSULATOR WITH VACUUM TUBE	1
6	680235	RUBBER CAP 1/4-KAWASAKI	1
7		CARBURETOR ASSEMBLY ROBIN 22 HP	1
8	680553	ROBIN 22 HP FUEL LOAD BLOCK	1
9	1118	HOSE 3' FUEL	1
10	680229	STUD M6 X 130 KAWASAKI	2
11	R26338001A3	SPACER	1
12	R26332610A1	AIR CLEANER WITH FOAM PRE FILTER	1
13	300203	FILTER SUPPORT SCREEN ROBIN	1
14	680509	RECOIL FILTER ROBIN	1
15	R263-73123-A1	WIRE HARNESS SK SERIES GRINDERS ONLY	1
16	RX650140730	BPR4EY SPARK PLUG	1
17	R2486580100	OIL FILTER AY	1
18	200876	1/4-20 X 4 1/2 Hex Cap Screw	1
19	200828	1/4 x 1 fender Washer	1

*Eagle*  
By Stonekor LLC

# EMISSION SHUT DOWN

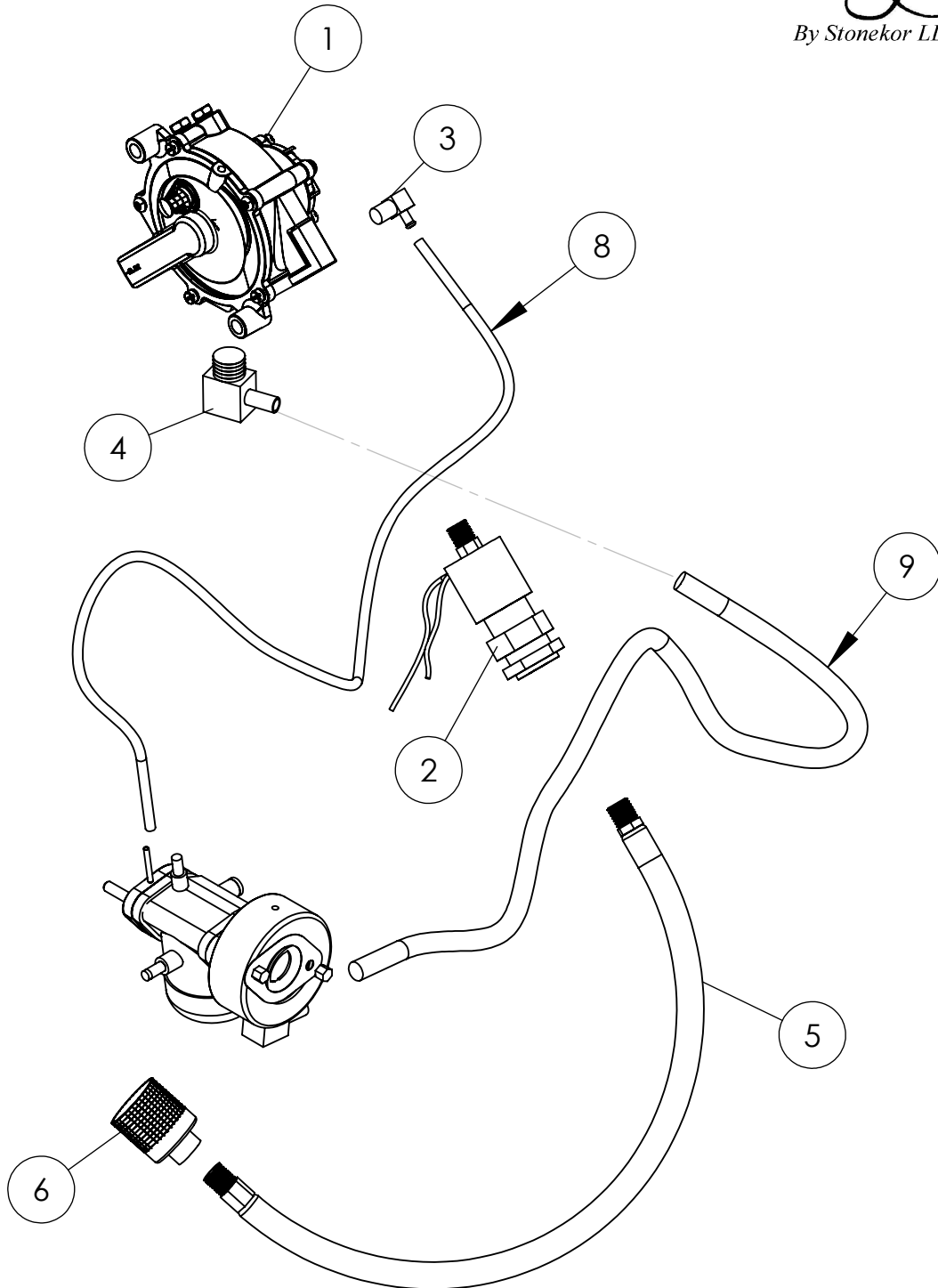


**EMISSION SHUT DOWN**

ITEM NO.	PART NUMBER	DESCRIPTION	QTY.
1	300142	EMISSION SHUT DOWN COMPLETE	1
2	300169	OXYGEN SENSOR ONLY	1
.	300139	EMISSION SHUT DOWN COMPLETE	1

# REGULATOR ELECTRIC LOCK FITTING HOSE COUPLER

*Eagle*  
By Stonekor LLC



## REGULATOR ELECTRIC LOCK FITTING HOSE COUPLER

ITEM NO.	PART NUMBER	DESCRIPTION	QTY.
1	680350	REGULATOR FOR KAWASAKI & ROBIN	1
2	680265	FUEL LOCK WITH FILTER	1
3	1144	1/8 MALE PIPE X 3/16 HOSE BARB X 90	1
4	1143	BRASS ELBOW 3/8 X 3/8 NPT	1
5	1124	HOSE, LP TANK TO REGULATOR	1
6	1155	QUICK COUPLING	1
8	1117	HOSE, 3' VAC	1
9	1118	HOSE, 3' FUEL	1
.	300160	REGULATOR ELECT. LOCK FITTING COMPLETE	

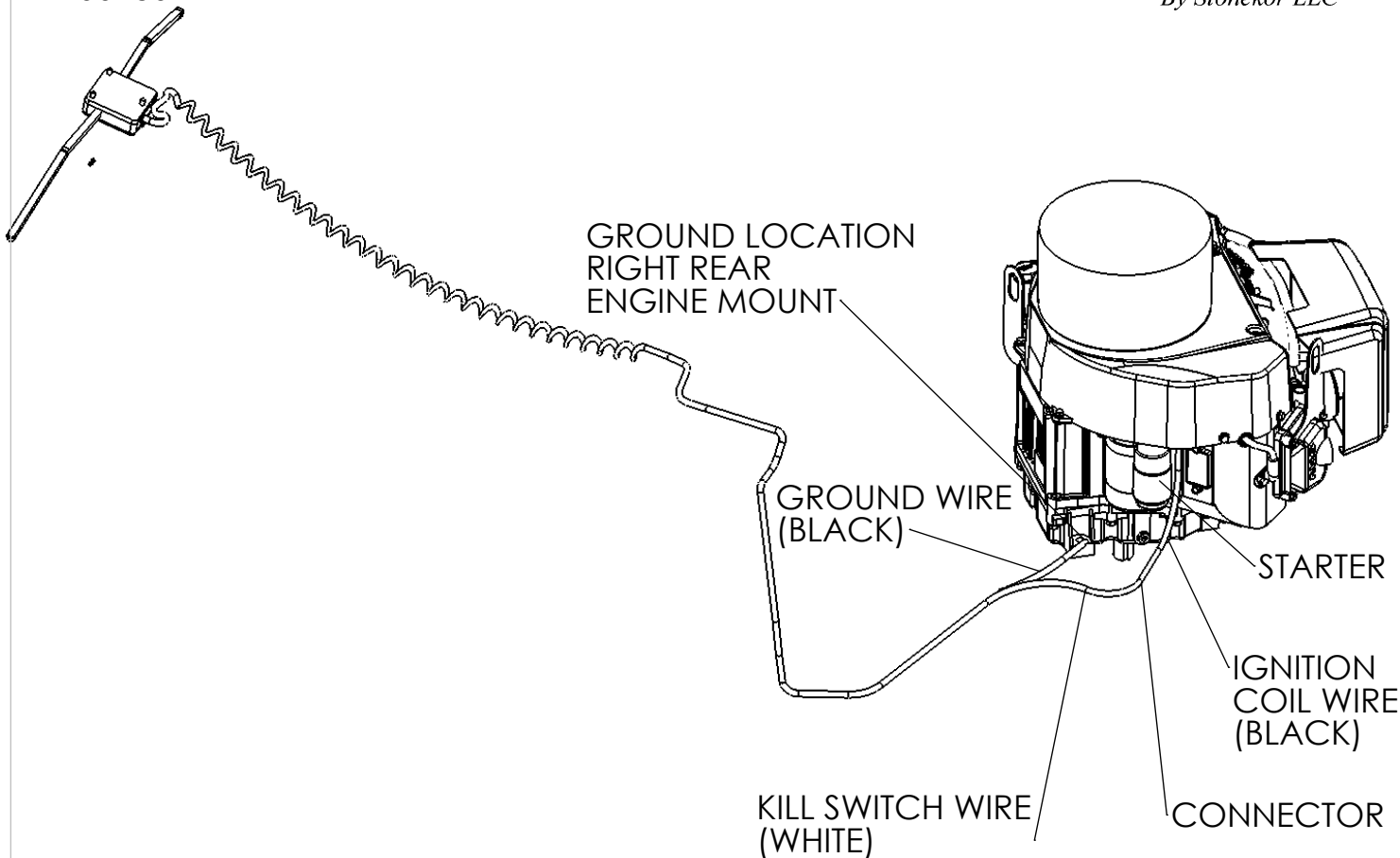
  
 By Stonekor LLC

# KILL SWITCH SCHEMATIC ROBIN & KAWASAKI ENGINES



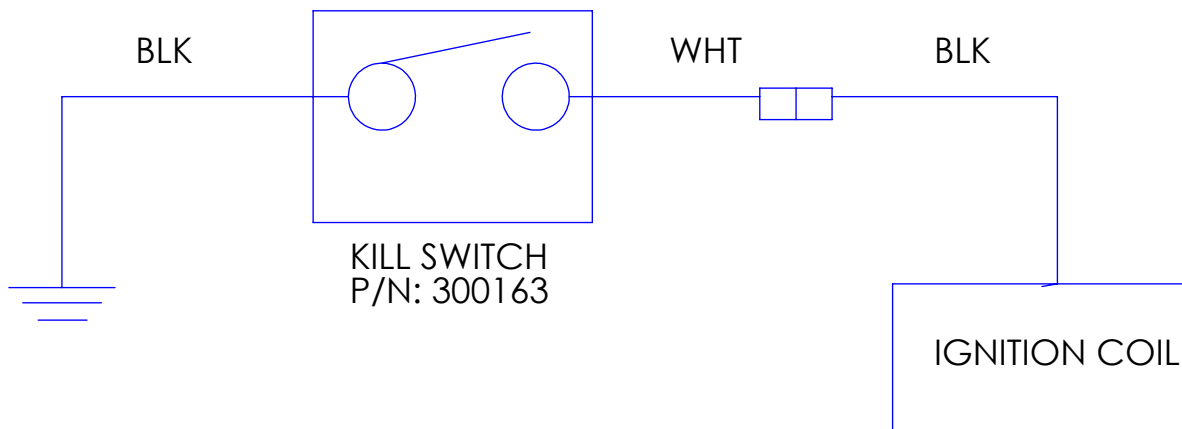
By Stonekor LLC

KILL SWITCH ASEMBLY  
200130

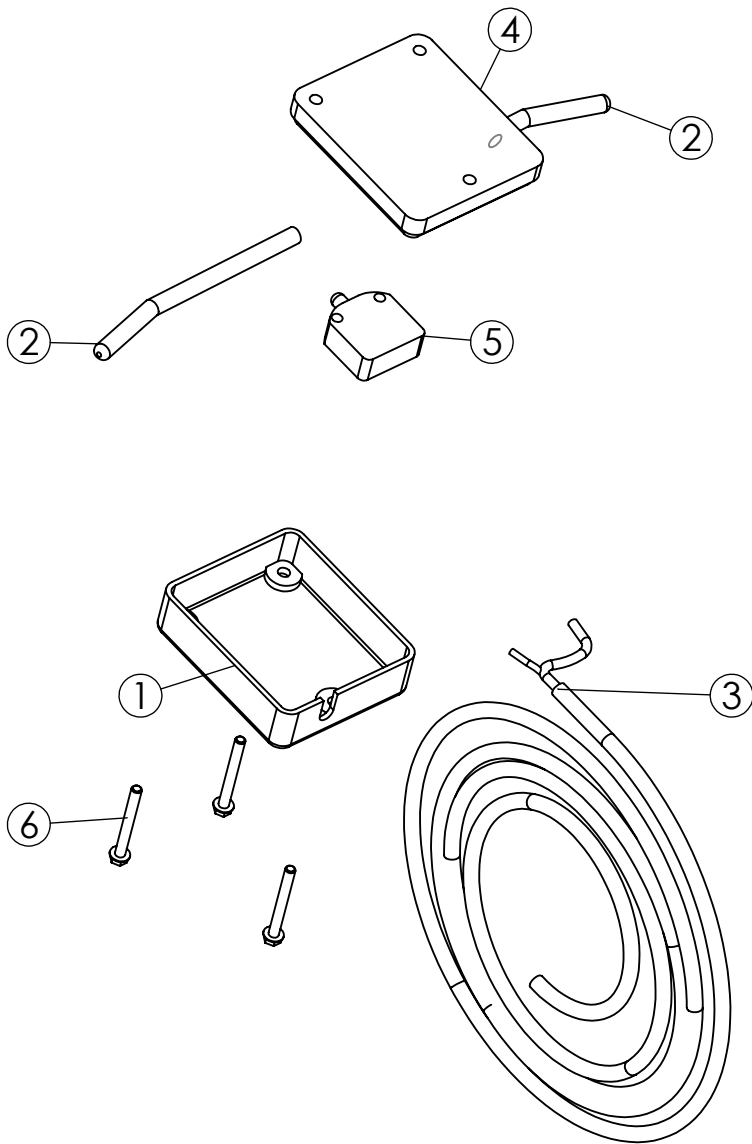


BLK = BLACK  
WHT = WHITE

 = CONNECTOR



# KILL SWITCH



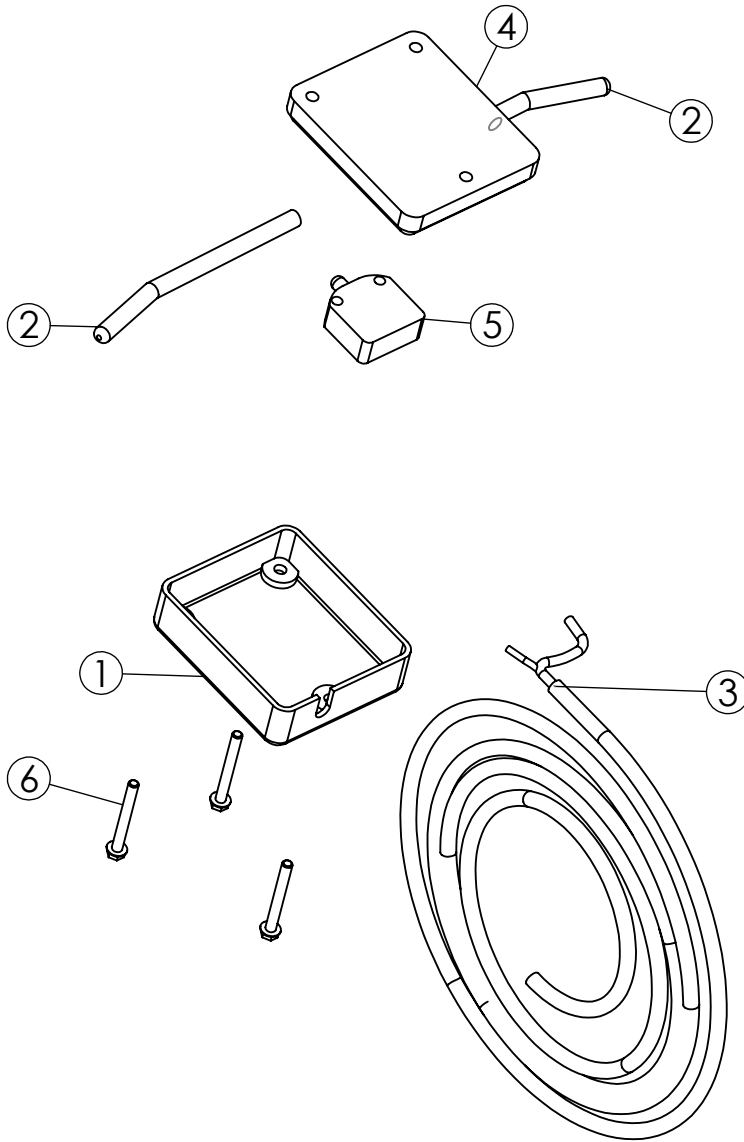


**KILL SWITCH**

ITEM NO.	PART NUMBER	DESCRIPTION	QTY.
1	680456	CLUTCH HOUSING TOP	1
2	602675	ARM & SPRINGS (1 PAIR)	
3	9039	CLUTCH SWITCH WIRE	1
4	680454	CLUTCH HOUSING BOTTOM	1
5	300163	SWITCH, KILL ONLY	1
6	200911	8 x 1-1/2 Self Tapping TEK	3
.	300140	KILL SWITCH COMPLETE	

# ELECTRIC CLUTCH SWITCH

*Eagle*  
By Stonekor LLC



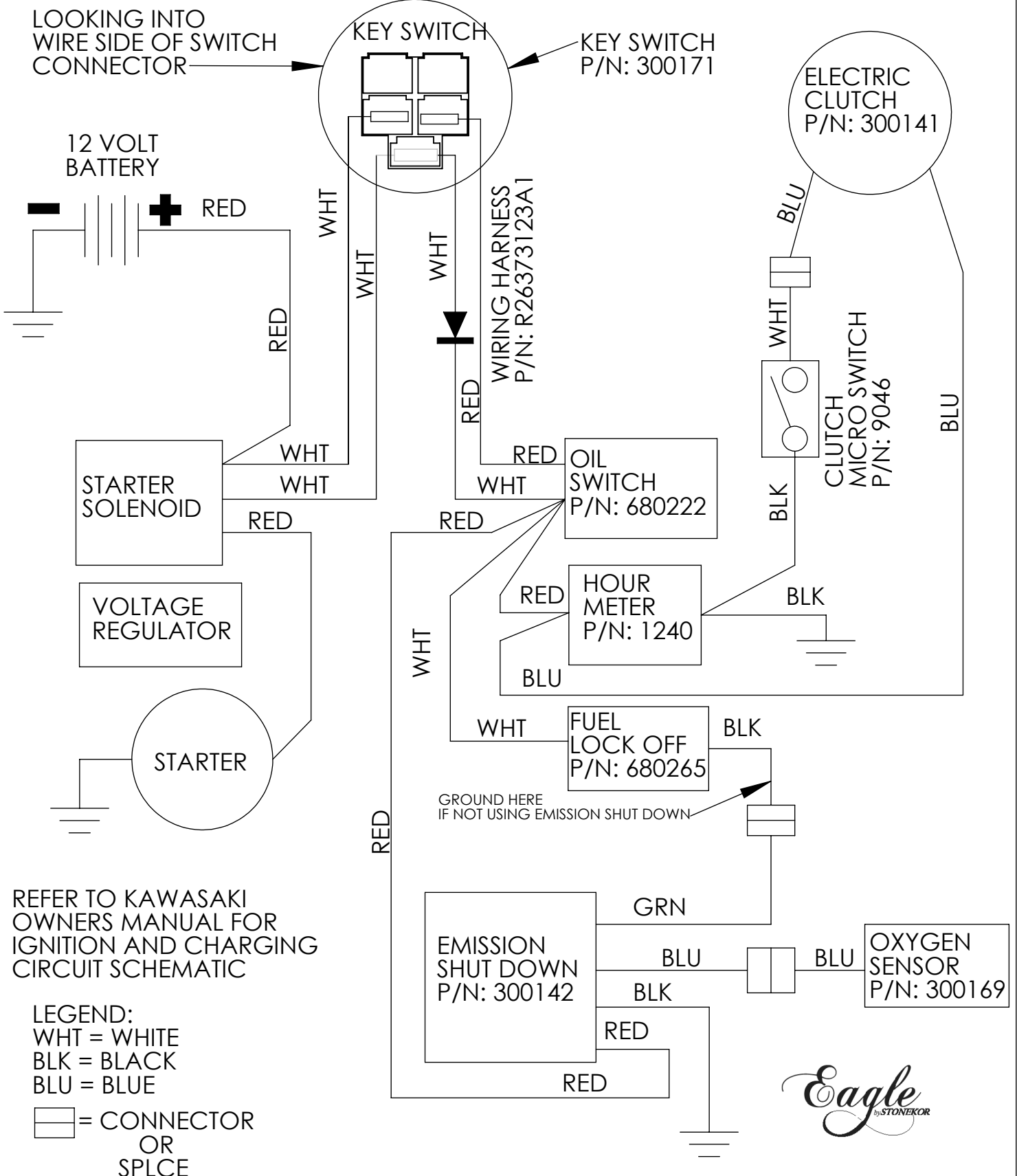
## ELECTRIC CLUTCH SWITCH

ITEM NO.	PART NUMBER	DESCRIPTION	QTY.
1	680456	CLUTCH HOUSING TOP	1
2	602675	ARM & SPRINGS (1 PAIR)	
3	9039	CLUTCH SWITCH WIRE	1
4	680454	CLUTCH HOUSING BOTTOM	1
5	300164	SWITCH, CLUTCH ONLY	1
6	200911	8 x 1-1/2 Self Tapping TEK	3
.	681599	ELECTRIC CLUTCH SWITCH COMPLETE	

  
 By Stonekor LLC



# WIRE HARNESS SCHEMATIC ROBIN 22 HP SIGNATURE SERIES AND DUST CONTROL WITH OPTIONAL ELECTRIC CLUTCH AND EMISSION SHUT DOWN



REFER TO KAWASAKI OWNERS MANUAL FOR IGNITION AND CHARGING CIRCUIT SCHEMATIC

LEGEND:

WHT = WHITE  
 BLK = BLACK  
 BLU = BLUE

[Symbol] = CONNECTOR OR SPLCE

