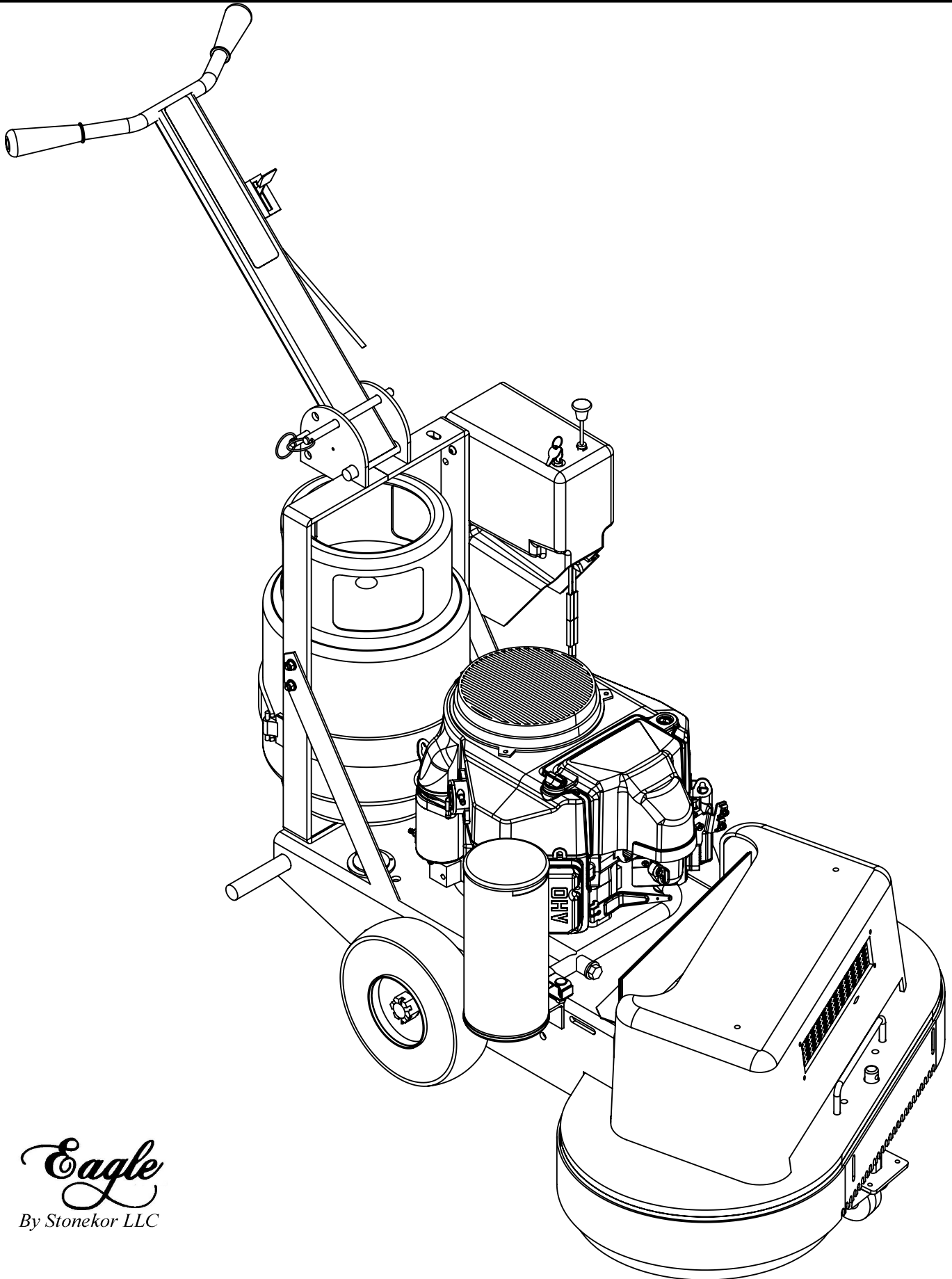
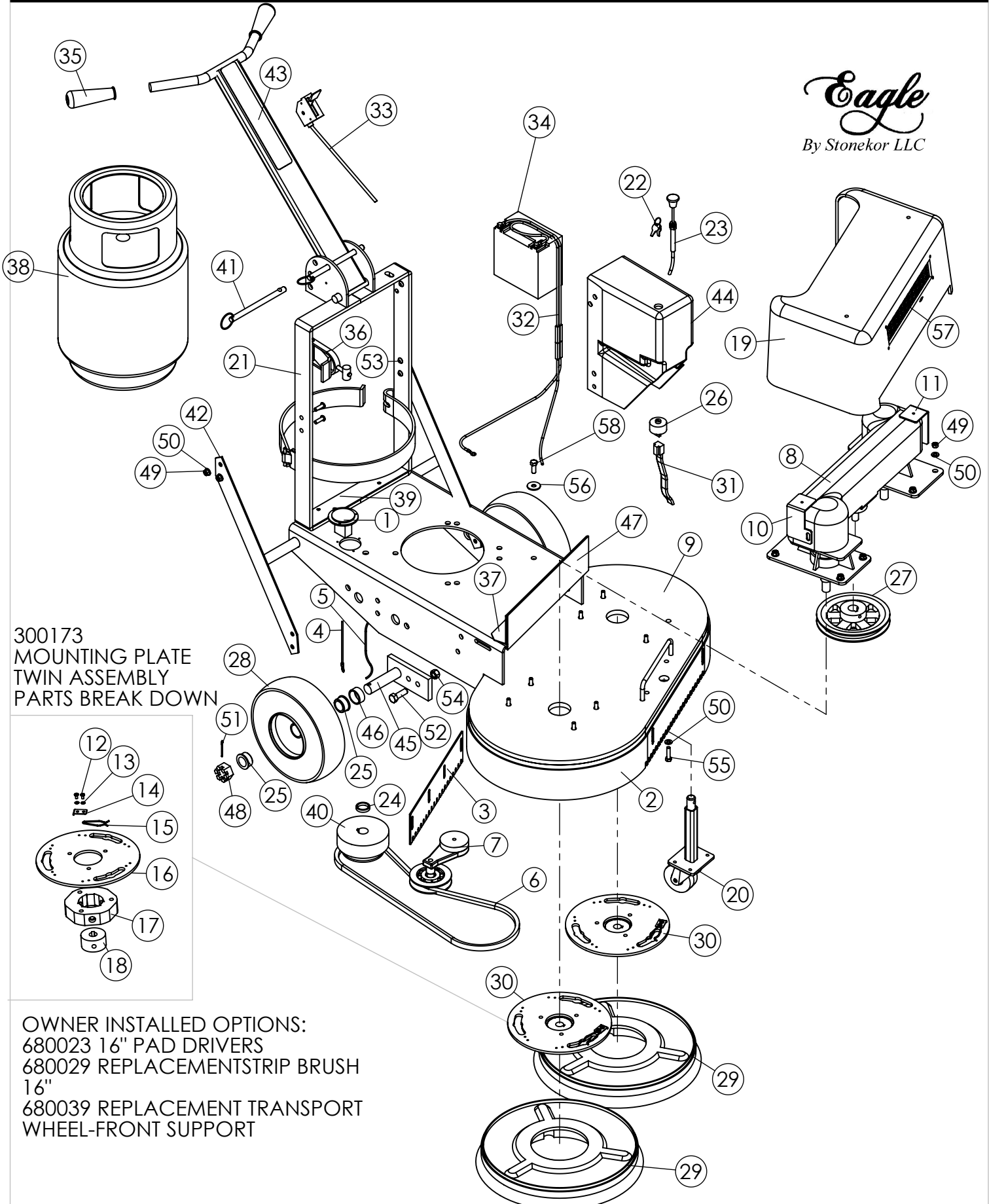


# TRACKER 3000

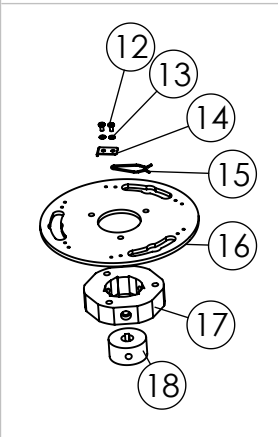


*Eagle*  
By Stonekor LLC

# TRACKER 3000 DECK SUB ASSY



300173  
MOUNTING PLATE  
TWIN ASSEMBLY  
PARTS BREAK DOWN



OWNER INSTALLED OPTIONS:  
680023 16" PAD DRIVERS  
680029 REPLACEMENT STRIP BRUSH  
16"  
680039 REPLACEMENT TRANSPORT  
WHEEL-FRONT SUPPORT

## TRACKER 3000 DECK SUB ASSY

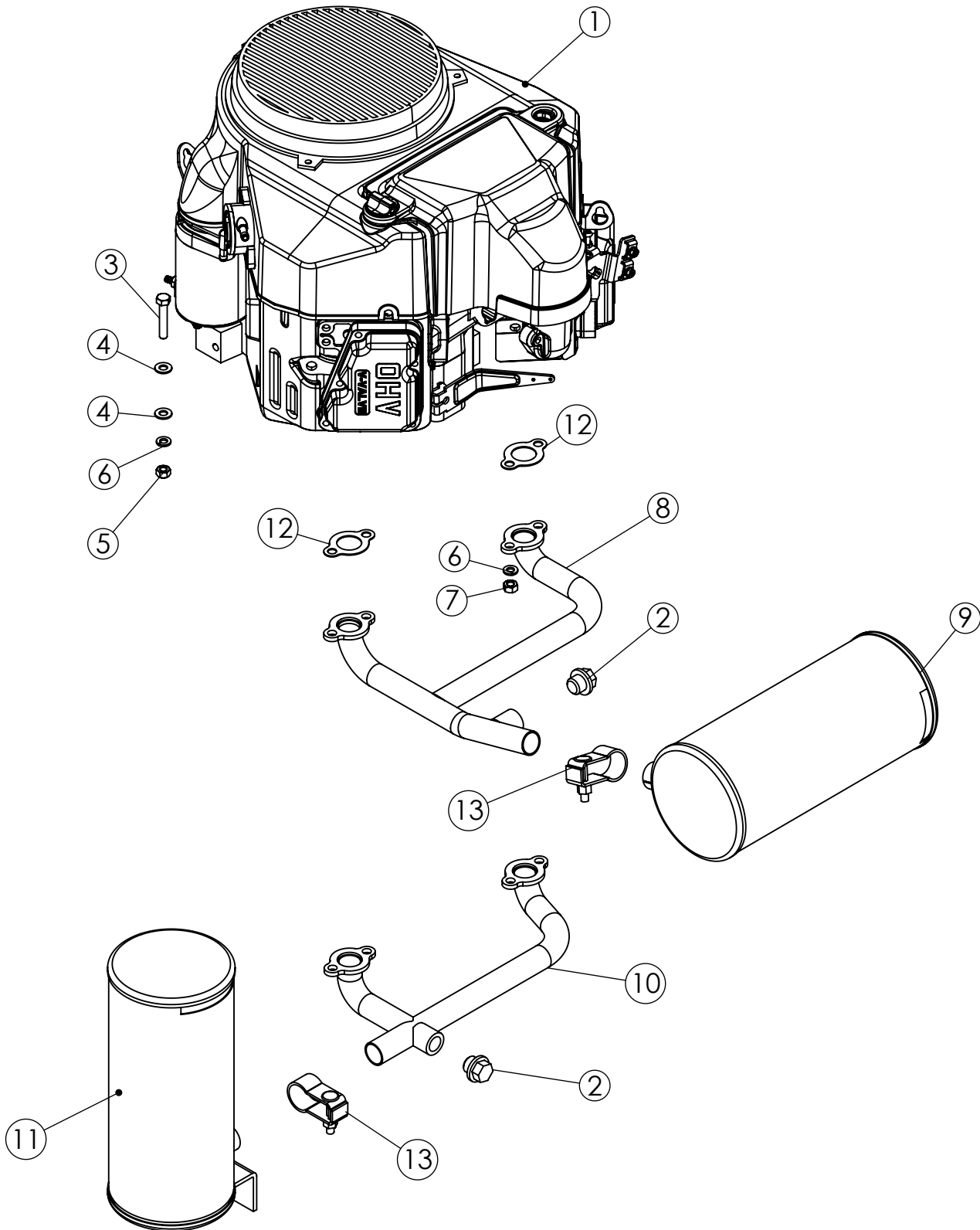
ITEM NO.	PART NUMBER	DESCRIPTION	QTY.
1	200111	HOUR METER	1
2	680254	SPLASH GUARD TRACKER-PLASTIC	2
3	300248	REAR SPLASH GUARD TRACKER	2
4	680284	GROUND WIRE, HOUR METER	1
5	680297	CLOCK WIRE KAWASAKI	1
6	200330	BELT BX-47 KEVLAR	1
7	300159	TENSIONER 24 & 27	1
8	680416	GEAR BOX 1 PC TRACKER	1
9	680172	TRACKER FRAME	1
10	680181	HOOD ASSY BRACKET RH TRACKER	1
11	680182	HOOD ASSY BRACKET LH TRACKER	1
12	200821	10-24 x 3/8 Phillips Pan Head Machine Screw	4
13	200922	3/16 INTERNAL TOOTH LOCK WASHER	4
14	680113	BRUSH PLATE CLAMP SS3000	2
15	680112	SPRING CLIP SS3000	4
16	680034	PLATE MOUNTING TWIN HEAD	2
17	680026	FLEX CENTER	2
19	680263	ALLUMINUM COVER TRACKER 3000	1
20	680045	TRANSPORT WHEEL BRACKET COMPLETE	1
21	680681	HANDLE EDGER, TRACKER, RR	1
22	680082	REPLACEMENT KEY	1
23	680255	CHOKE CABLE PUSH / PULL (KAWASAKI / ROBIN)	1
24	9035	CLUTCH SPACER	1
25	680109	DELRIN BEARING 1" SS3000/2500DC	4
26	300171	KEY SWITCH	1
27	680244	PULLEY, 7.0 X 5/8"	1

  
 By Stonekor LLC

## TRACKER 3000 DECK SUB ASSY

ITEM NO.	PART NUMBER	DESCRIPTION	QTY.
28	5240	PNEUMATIC TIRE 10" (FOAM FILLED)	2
29	680029	BRUSH STRIP TRACKER 3000 16"	2
30	300173	MOUNTING PLATE TWIN ASSEMBLY	2
31	680223	WIRE HARNESS KAWASAKI	1
32	680296	BATTERY CONNECTOR COMPLETE - KAWASAKI	1
33	680599	THROTTLE CABLE WITHOUT CHOKE	1
34	4002	BATTERY SM 12V	1
35	1010	HANDLE GRIP	2
36	1003	TOGGLE	1
37	680242	HEAT SHEILD SUPPORT PLATE SS3000	1
38	680053	LP TANK (ALUM)	1
39	9042	VELCRO TAPE 2 X12	1
40	9037	CENTRIFUGAL CLUTCH	1
41	681294	HANDLE LOCKING PIN	2
42	680121	HANDLE SUPPORT GUSSETT	2
43	680067	INSTRUCTION LABEL - 9030	1
44	300137	BATTERY BOX-PLASTIC	1
45	680044	WHEEL AXLE TRACKER 3000	2
46	680820	WHEEL SPACER	2
47	680241	HEAT SHEILD FOIL MATERIAL	1
48	850120	NUT, HEX 1-14, SLOTTED	2
49	200822	5/16-18 Nylon Insert L/N	16
50	200832	5/16 SAE Flat Washer	20
51	200865	COTTER PIN	2
52	200806	1/2-13 X 1-1/2 HEX CAP SCREW	2
53	200902	5/16-18 x 1 Button Soc Cap Screw	5
54	200810	1/2-13 Grade C Grip Nut	2
55	200906	5/16 - 18 x 1 -1/4 Tap Bolt Gr 5 Zinc	8
56	WIDE FW.375	FENDER WASHER 3/8	1
57	680243	EXPANDED METAL PLATE 3 1/2 X 15	1
58	200800	3/8-16 x 1 Hex Cap Screw	1

# KAWASAKI FS-481-603 CC EXHAUST SYSTEM

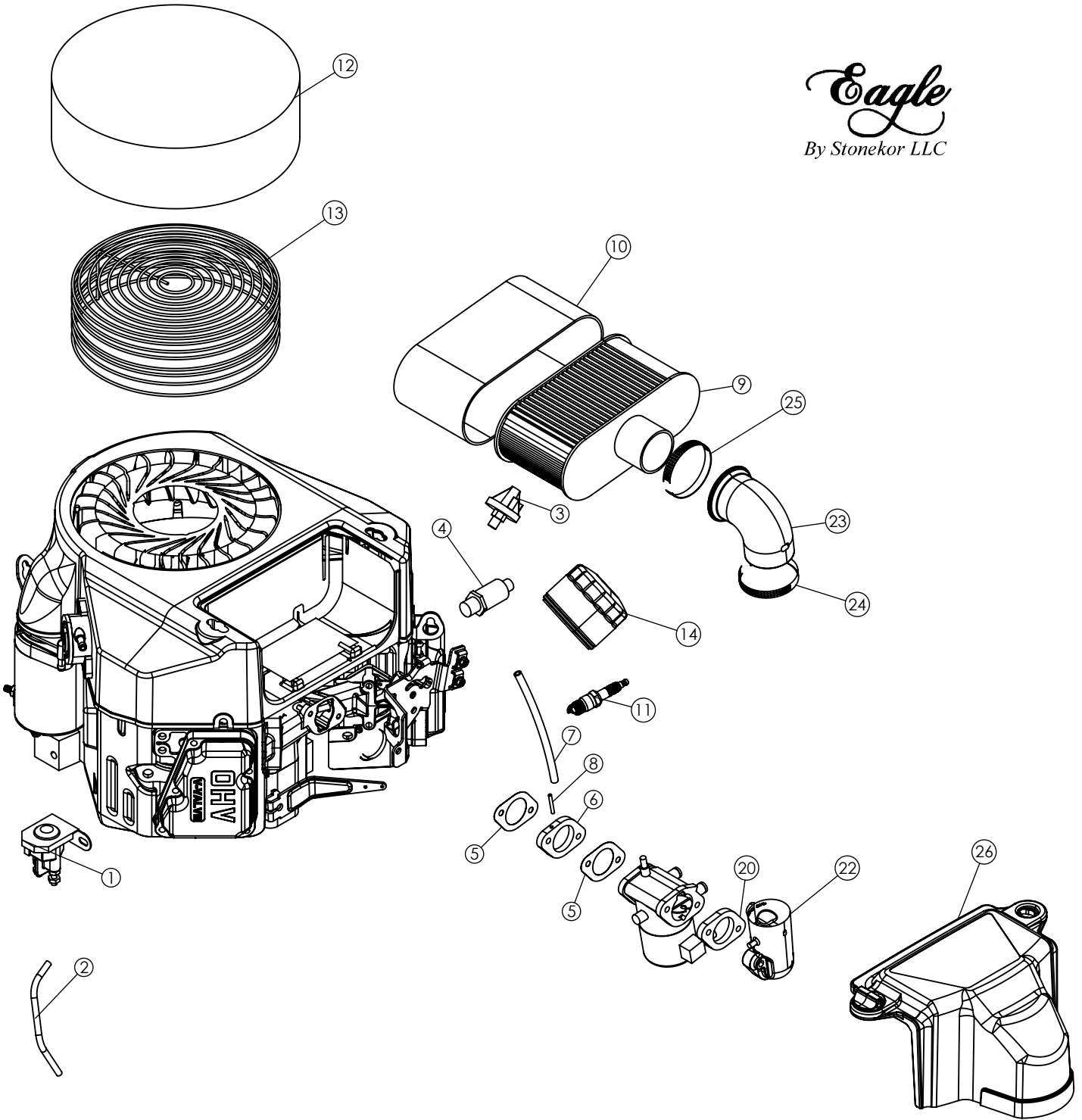


**KAWASAKI FS-481-603 CC EXHAUST SYSTEM**

ITEM NO.	PART NUMBER	DESCRIPTION	QTY.
1	300275	KAWASAKI ENGINE FS 481V W/O MUFFLER	1
2	680680	MANIFOLD BOLT PLUG	2
3	200858	5/16-18 x 1-3/4 Hex Cap Screw	4
4	200832	5/16 SAE Flat Washer	7
5	200822	5/16-18 Nylon Insert L/N	4
6	200885	5/16 Split Lock Washer	6
7	200905	8MM x 1.25 Hex Nut	4
8	300229	MANIFOLD HORIZONTAL FS 481 KAWASAKI NEW	1
9	300228	MUFFLER HORIZONTAL FS-481 KAWASAKI NEW	1
10	300233	MANIFOLD VERTICAL FS-481 KAWASAKI NEW	1
11	300232	MUFFLER VERTICAL FS-481 KAWASAKI NEW	1
12	W110607016	GASKET, MANIFOLD	2
13	300187	CLAMP MUFFLER ROBIN	2

# KAWASAKI FS-481 603 CC ENGINE AND CARBURETOR

*Eagle*  
By Stonekor LLC



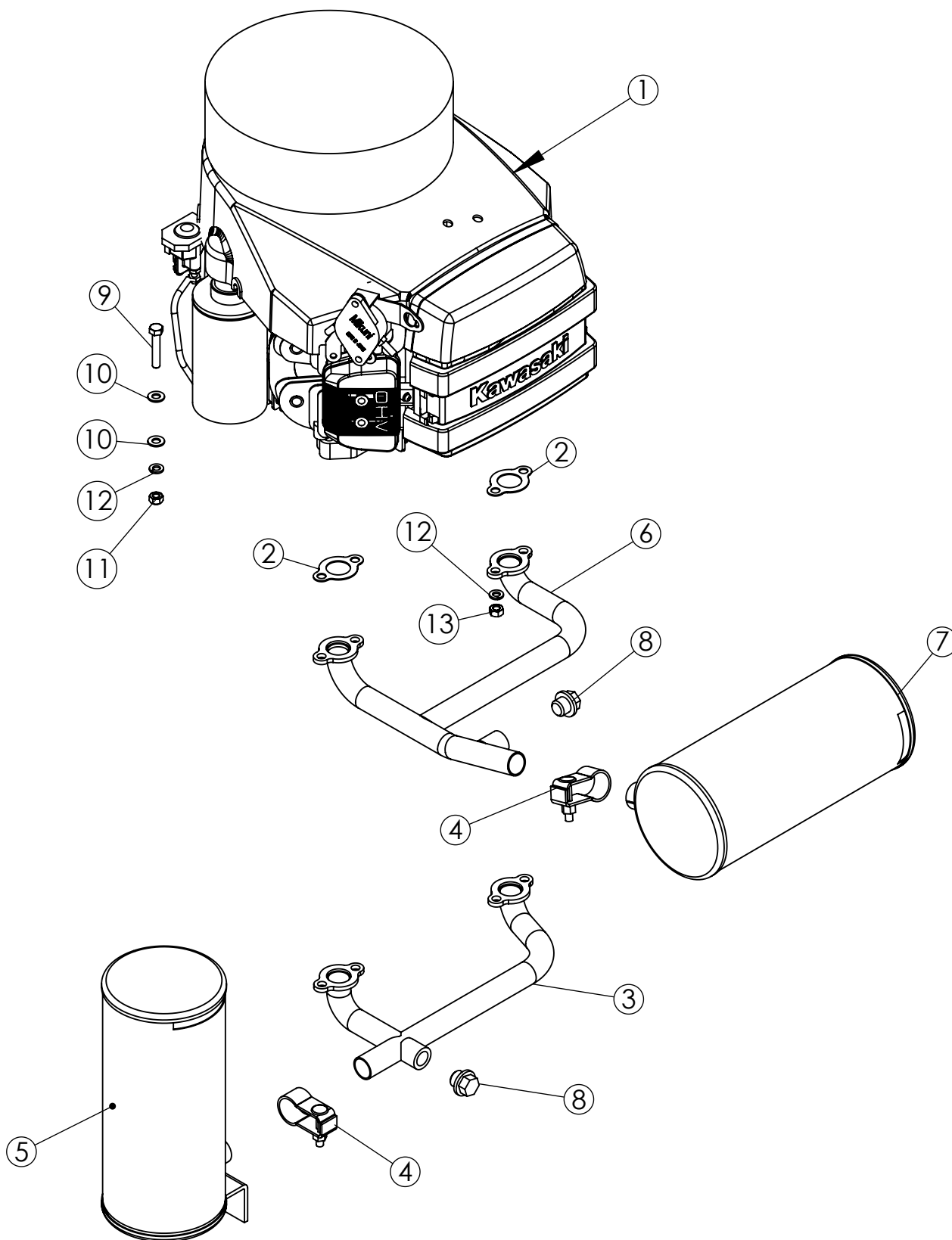
## KAWASAKI FS-481 603 CC ENGINE AND CARBURETOR

ITEM NO.	PART NUMBER	DESCRIPTION	QTY.
1	680226	STARTER SOLENOID KAWASAKI	1
2	680298	STARTER TO SOLENOID WIRE	1
3	680222	OIL SWITCH	1
4	300202	VALVE OIL DRAIN	1
5	W110617004	GASKET AIR FILTER	2
6	W160737007	INSULATOR	1
7	1117	HOSE 3' VAC	1
8	1126	VENT TUBE	1
9	W999990384	ELEMENT AIR FILTER	1
10	W11013-7046	PRE CLEANER (KAWASAKI FS 481 V)	1
11	WBPR4ES	SPARK PLUG BPR4ES	1
12	680224	RECOIL FILTER- KAWASAKI	1
13	680225	RECOIL FILTER SUPPORT	1
14	W49065-7007	FILTER-OIL (KAWASAKI FS 481 V)	1
18	W999966051	CARBURETOR ASSEMBLY KAWASAKI 17 HP	1
19	1143	BRASS ELBOW 3/8 X 3/8 NPT	1
20	R26338001A3	SPACER	1
21	300297	CARB COMPLETE JD FS 481	1
22	W160607042	PIPE-INTAKE	1
23	W92192-7146	TUBE A/C	1
24	W92171-7010	CLAMP	1
25	W92173-7007	CLAMP	1
26	W110117064	CASE-AIR FILTER	1

  
 By Stonekor LLC



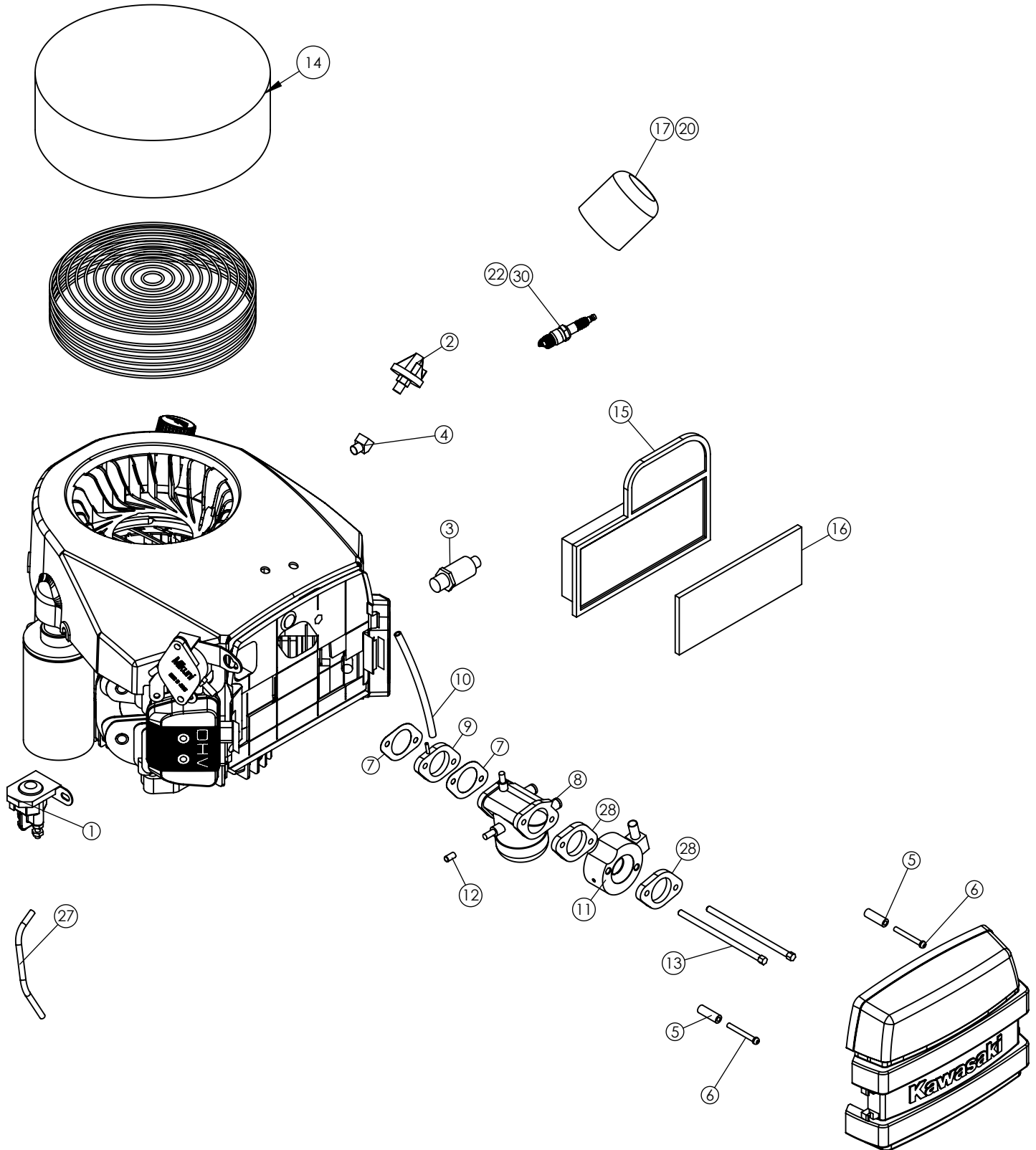
# KAWASAKI FH-541-585 CC EXHAUST SYSTEM



## KAWASAKI FH-541-585 CC EXHAUST SYSTEM

ITEM NO.	PART NUMBER	DESCRIPTION	QTY.
1	300149	KAWASAKI 17 HP COMPLETE W/O MUFFLER & MANIFOLD	1
2	W110607021	GASKET, MANIFOLD	2
3	300153	MANIFOLD KAWASAKI VERTICAL (680656)	1
4	300186	MUFFLER CLAMP KAWASAKI (680269)	2
5	300152	MUFFLER KAWASAKI VERTICAL (680268)	1
6	300151	MANIFOLD KAWASAKI HORIZONTAL	1
7	300150	MUFFLER KAWASAKI HORIZONTAL	1
8	680680	MANIFOLD BOLT PLUG	2
9	200858	5/16-18 x 1-3/4 Hex Cap Screw	4
10	200832	5/16 SAE Flat Washer	7
11	200822	5/16-18 Nylon Insert L/N	4
12	200885	5/16 Split Lock Washer	6
13	200905	8MM x 1.25 Hex Nut	4

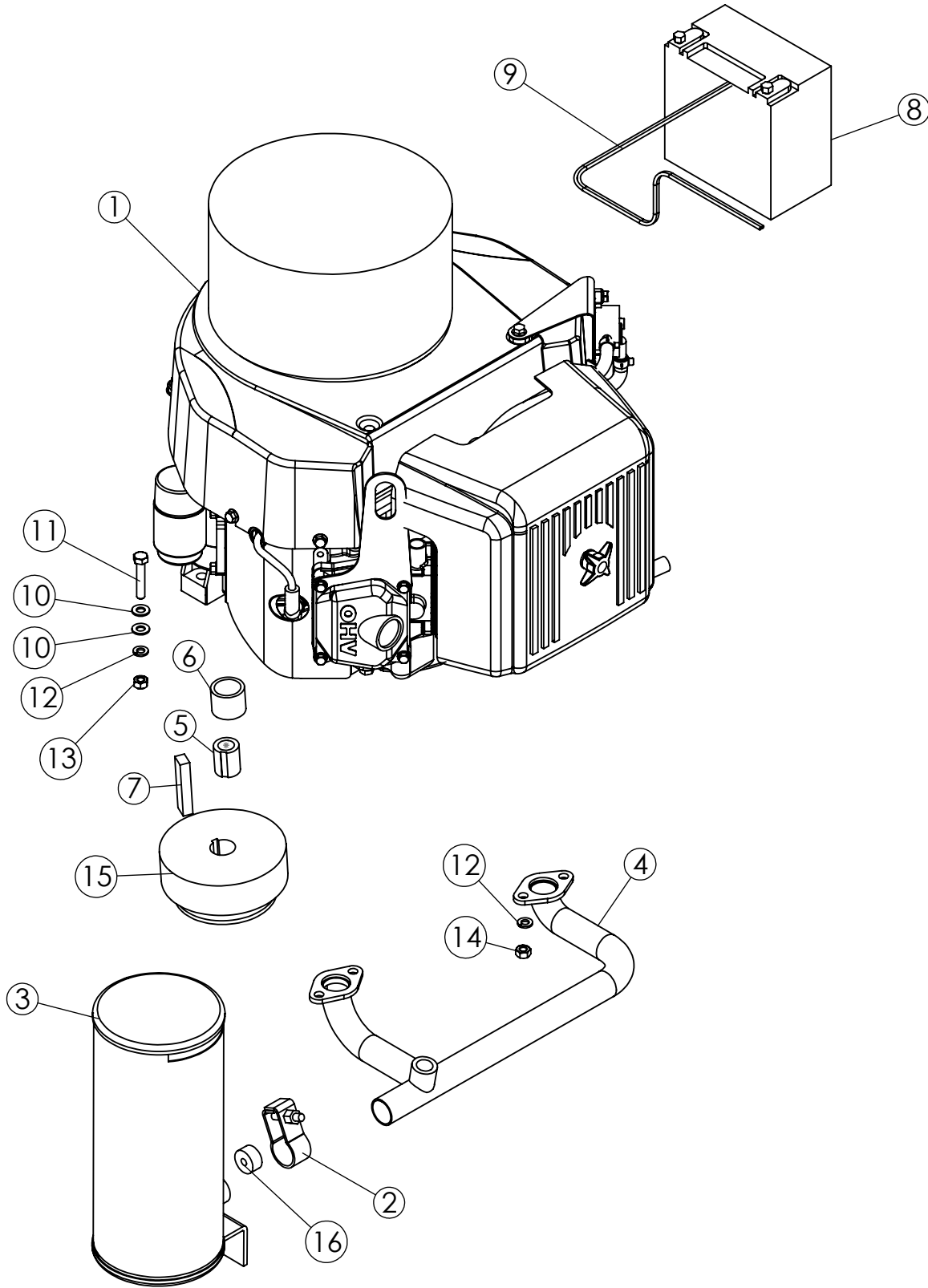
# KAWASAKI FH-541-585 CC ENGINE AND CARBURETOR



## KAWASAKI FH-541-585 CC ENGINE AND CARBURETOR

ITEM NO.	PART NUMBER	DESCRIPTION	QTY
1	680226	STARTER SOLENOID KAWASAKI	1
2	680222	OIL SWITCH	1
3	300202	VALVE OIL DRAIN	1
4	680088	SENDING UNIT ELBOW	1
5	680227	SPACER 1 1/8 KAWASAKI	2
6	680230	SCREW 10-32 X 1 3/4	2
7	W110617004	GASKET AIR FILTER	2
8		CARBURETOR ASSEMBLY ROBIN 22 HP	1
9	W160737007	INSULATOR	1
10	1117	HOSE 3' VAC	1
11	680236	FUEL LOAD BLOCK KAWASAKI	1
12	680235	RUBBER CAP 1/4-KAWASAKI	1
13	680229	STUD M6 X 130 KAWASAKI	2
14	680224	RECOIL FILTER- KAWASAKI	1
15	W11013-7001	AIR FILTER ( KAWASAKI FH541 V )	1
16	W11013-7006	PRE CLEANER (KAWASAKI FH541 V)	1
17	W49065-7010	FILTER-OIL (KAWASAKI FH541 V )	1
18	W49065-7007	FILTER-OIL (KAWASAKI FS 481 V)	1
19	W92070-7004	PLUG, SPARK BPR4ES (NGK), SOLID (KAWASAKI FS 481 V )	2
27	680298	STARTER TO SOLENOID WIRE	1
28	R26338001A3	SPACER	2
29			1
30	WBPR4ES	SPARK PLUG BPR4ES	1

# ROBIN 22 HP EXHAUST SYSTEM LX-30



*Eagle*  
By Stonekor LLC

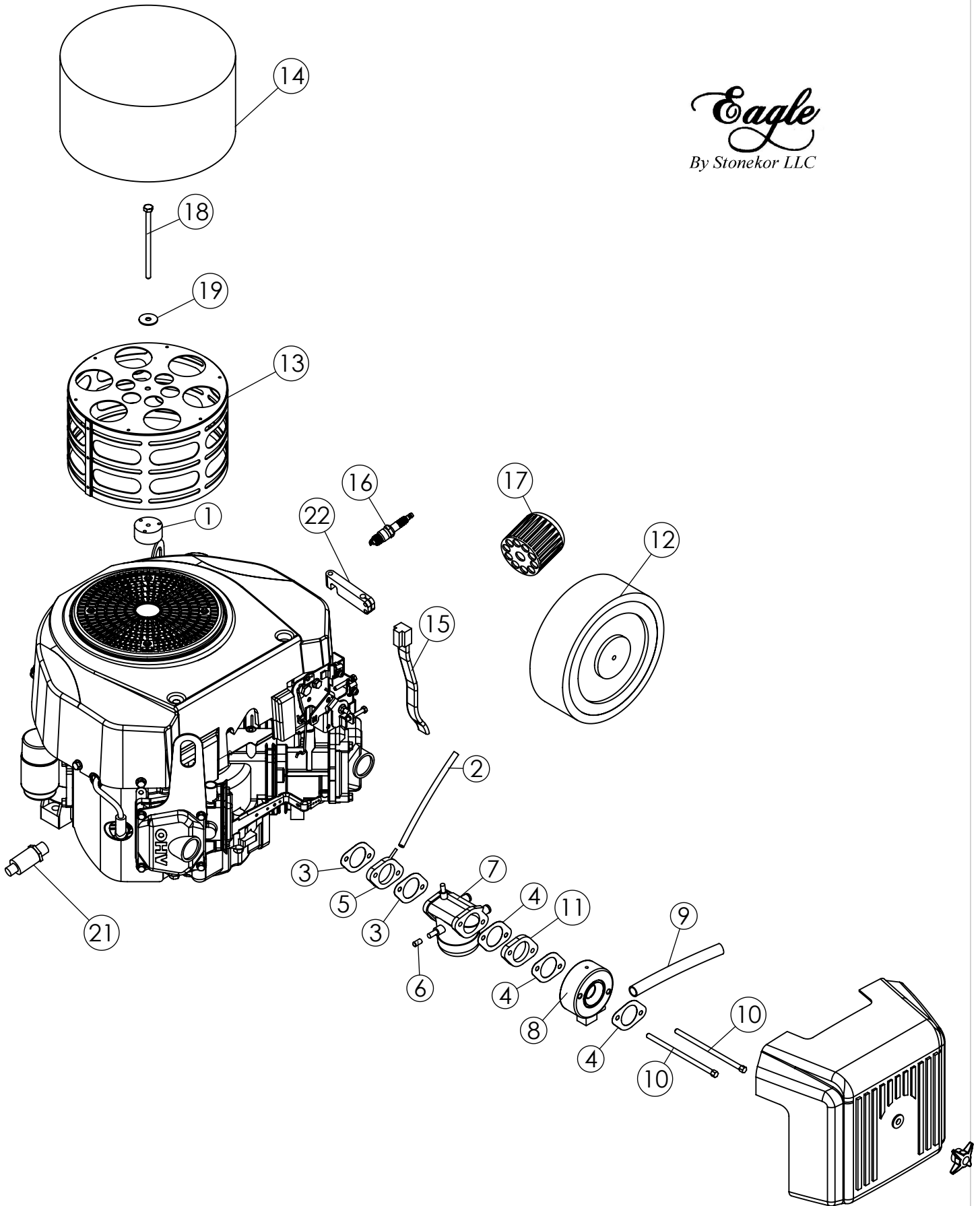
## ROBIN 22 HP EXHAUST SYSTEM LX-30

ITEM NO.	PART NUMBER	DESCRIPTION	QTY.
1	300146	ROBIN 22 HP COMPLETE WITHOUT MUFFLER	1
2	300187	CLAMP MUFFLER ROBIN	1
3	300147	VERTICAL MUFFLER	1
4	300148	MANIFOLD ROBIN VERTICAL	1
5	200154	SHAFT EXTENSION ROBIN	1
6	200146	SPACER, CLUTCH	1
7	200155	KEY STOCK	1
8	4002	BATTERY SM 12V	1
9	200124	BATTERY CABLE ASSY	1
10	200832	5/16 SAE Flat Washer	7
11	200858	5/16-18 x 1-3/4 Hex Cap Screw	4
12	200885	5/16 Split Lock Washer	6
13	200822	5/16-18 Nylon Insert L/N	4
14	200905	8MM x 1.25 Hex Nut	4
15	680956	CENTRIFUGAL CLUTCH	1
16	680266	ALUM MUFFLER SPACER 1/2 X 1 X 5/16 HOLE	1

  
 By Stonekor LLC

# ROBIN 22 HP ENGINE AND CARBURETOR

*Eagle*  
By Stonekor LLC



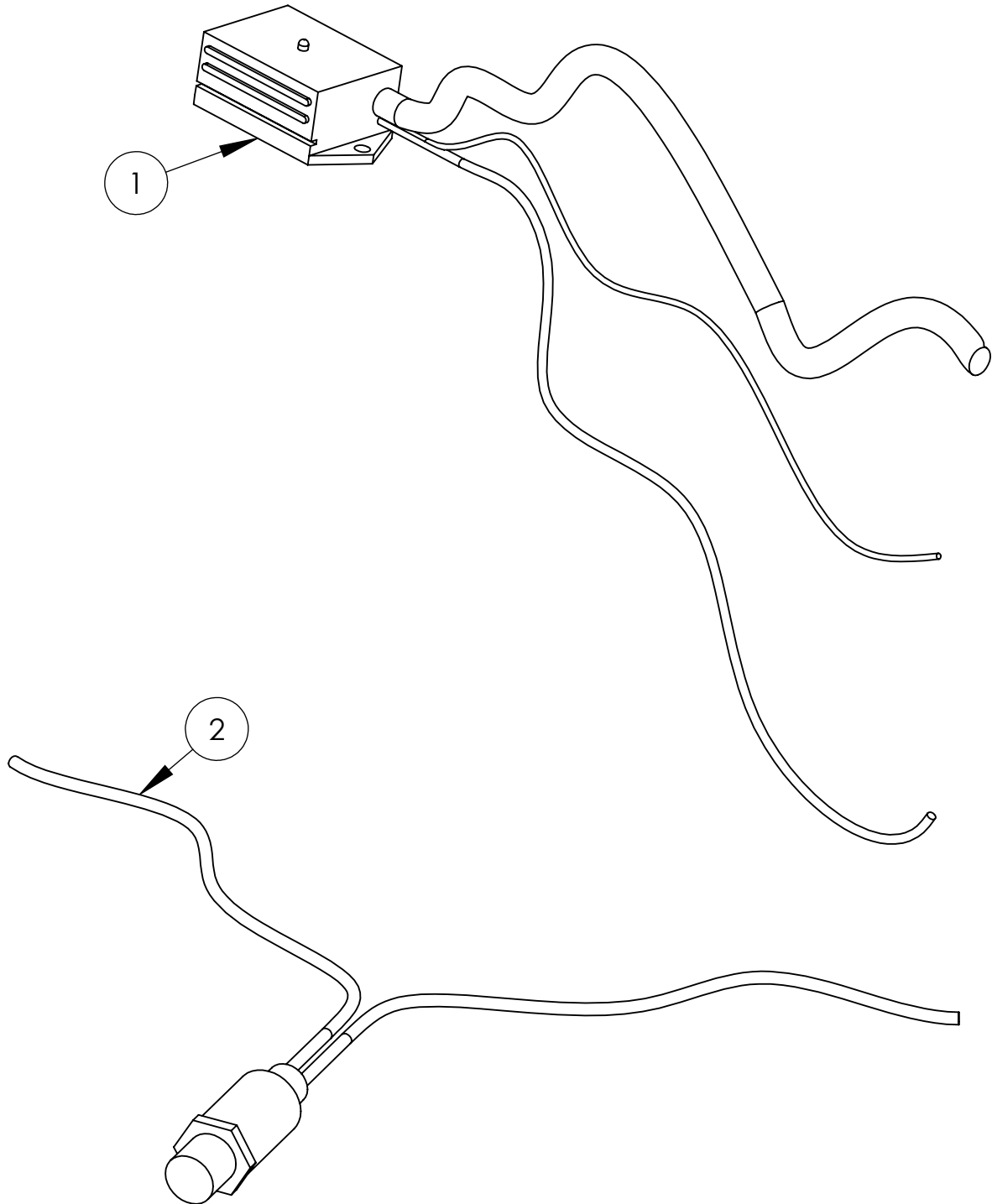
## ROBIN 22 HP ENGINE AND CARBURETOR

ITEM NO.	PART NUMBER	DESCRIPTION	QTY.
1	200128	RECOIL SUPPORT FOR STUD	1
2	1117	HOSE 3' VAC	1
3	R26335501A3	INSULATOR GASKET	2
4	R26335502A3	AIR CLEANER GASKET	3
5	R26335401A3	INSULATOR WITH VACUUM TUBE	1
6	680235	RUBBER CAP 1/4-KAWASAKI	1
7		CARBURETOR ASSEMBLY ROBIN 22 HP	1
8	680553	ROBIN 22 HP FUEL LOAD BLOCK	1
9	1118	HOSE 3' FUEL	1
10	680229	STUD M6 X 130 KAWASAKI	2
11	R26338001A3	SPACER	1
12	R26332610A1	AIR CLEANER WITH FOAM PRE FILTER	1
13	300203	FILTER SUPPORT SCREEN ROBIN	1
14	680509	RECOIL FILTER ROBIN	1
15	R263-73123-A1	WIRE HARNESS SK SERIES GRINDERS ONLY	1
16	RX650140730	BPR4EY SPARK PLUG	1
17	R2486580100	OIL FILTER AY	1
18	200876	1/4-20 X 4 1/2 Hex Cap Screw	1
19	200828	1/4 x 1 fender Washer	1

*Eagle*  
By Stonekor LLC



# EMISSION SHUT DOWN

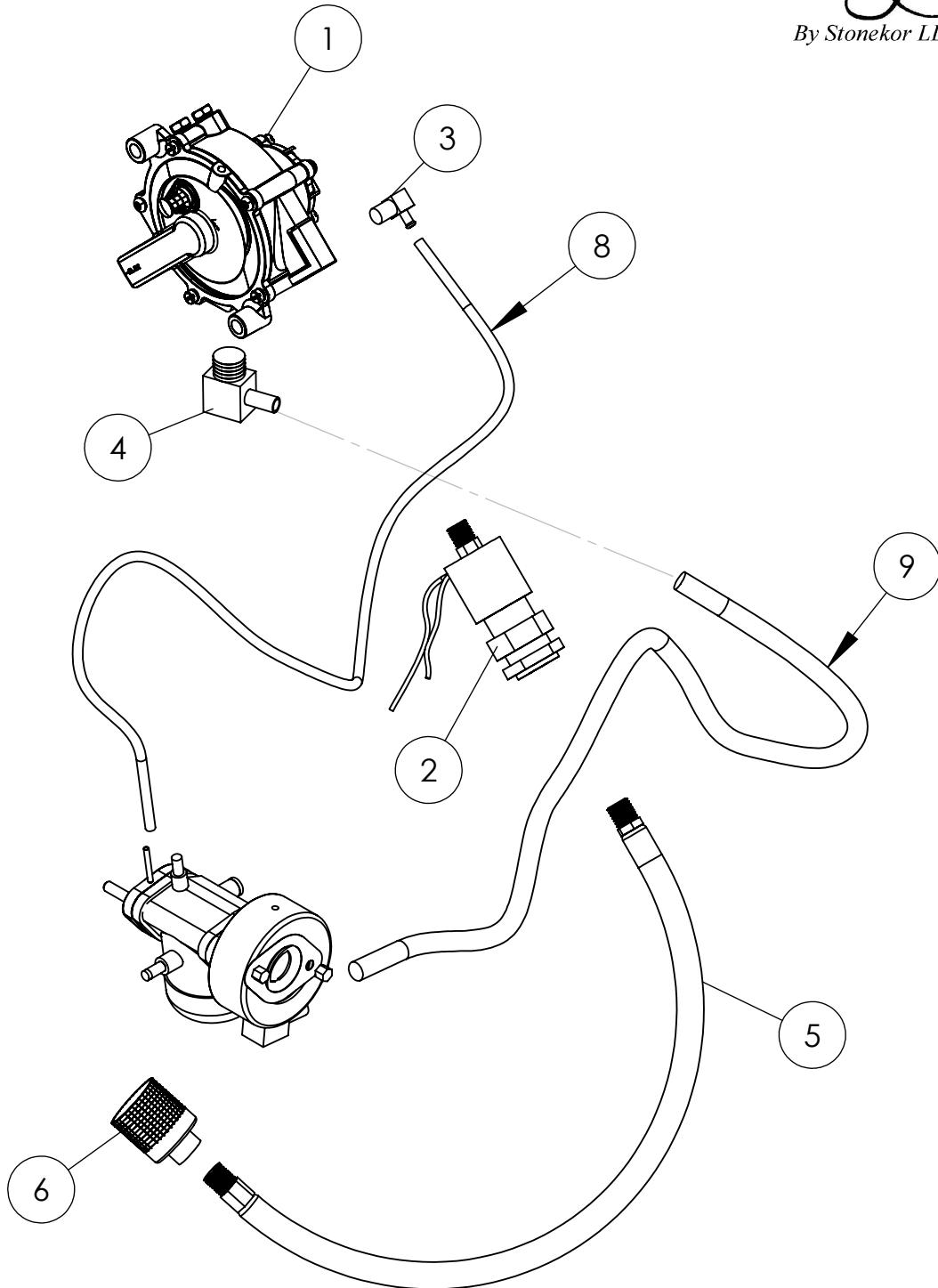


**EMISSION SHUT DOWN**

ITEM NO.	PART NUMBER	DESCRIPTION	QTY.
1	300142	EMISSION SHUT DOWN COMPLETE	1
2	300169	OXYGEN SENSOR ONLY	1
.	300139	EMISSION SHUT DOWN COMPLETE	1

# REGULATOR ELECTRIC LOCK FITTING HOSE COUPLER

*Eagle*  
By Stonekor LLC



## REGULATOR ELECTRIC LOCK FITTING HOSE COUPLER

ITEM NO.	PART NUMBER	DESCRIPTION	QTY.
1	680350	REGULATOR FOR KAWASAKI & ROBIN	1
2	680265	FUEL LOCK WITH FILTER	1
3	1144	1/8 MALE PIPE X 3/16 HOSE BARB X 90	1
4	1143	BRASS ELBOW 3/8 X 3/8 NPT	1
5	1124	HOSE, LP TANK TO REGULATOR	1
6	1155	QUICK COUPLING	1
8	1117	HOSE, 3' VAC	1
9	1118	HOSE, 3' FUEL	1
.	300160	REGULATOR ELECT. LOCK FITTING COMPLETE	

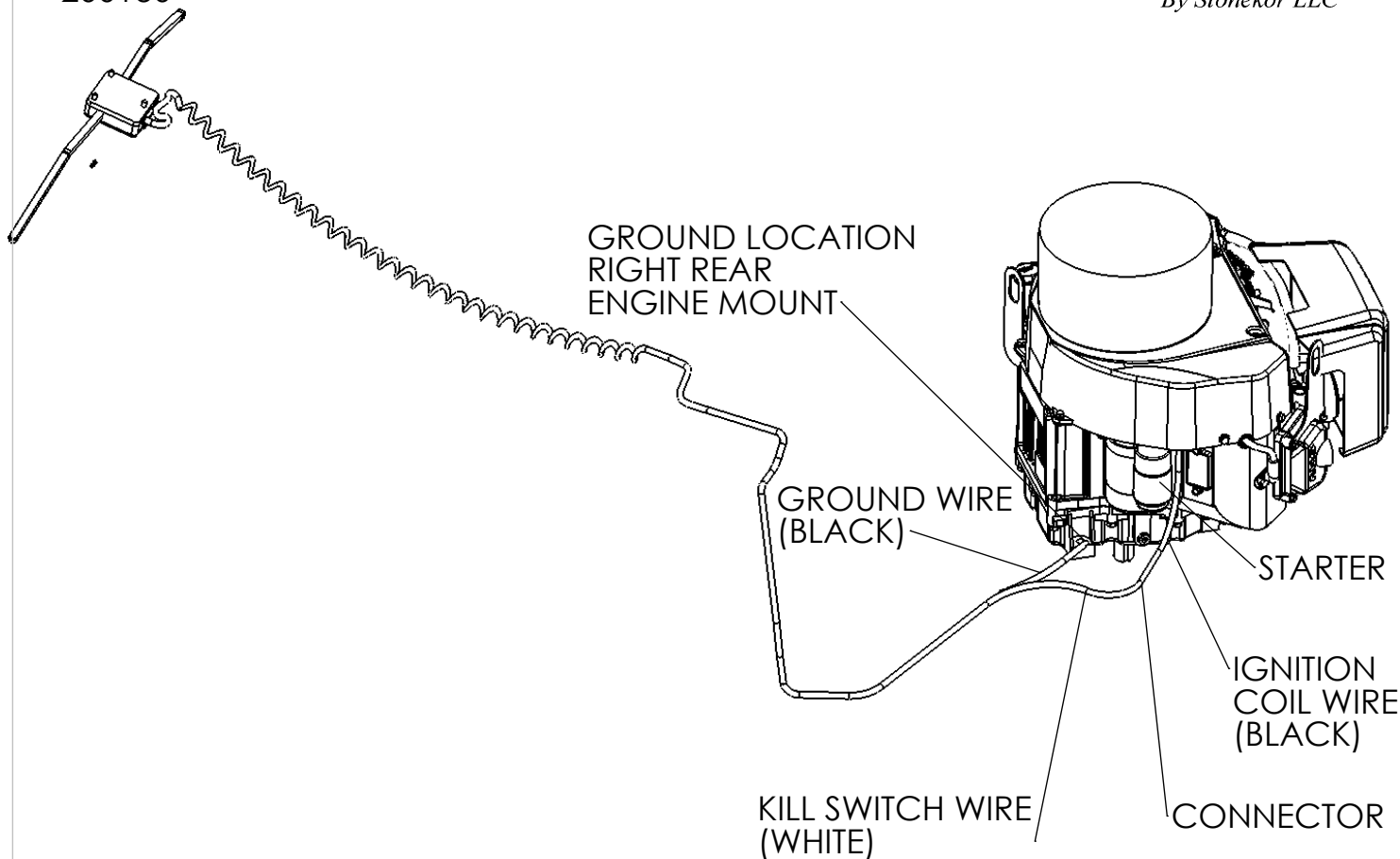
  
*By Stonekor LLC*

# KILL SWITCH SCHEMATIC ROBIN & KAWASAKI ENGINES

*Eagle*

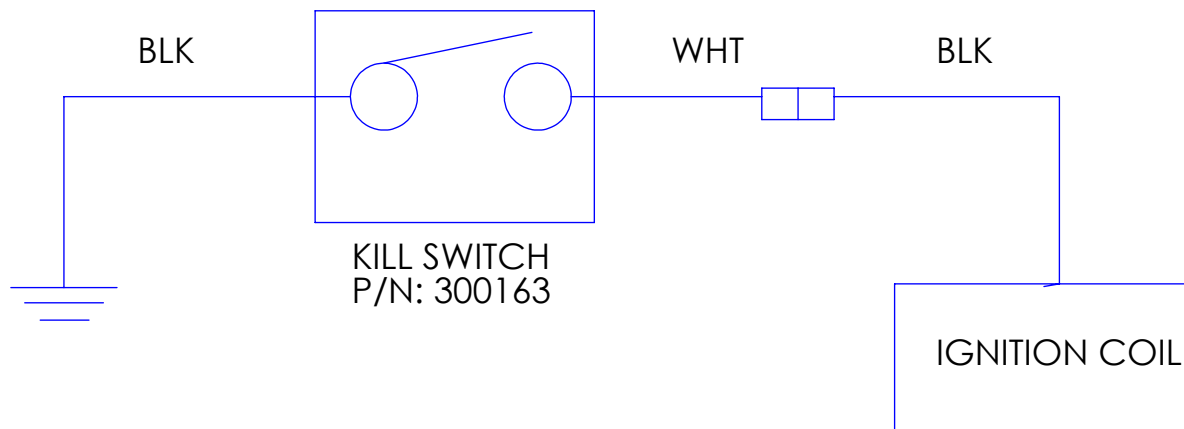
By Stonekor LLC

KILL SWITCH ASEMBLY  
200130

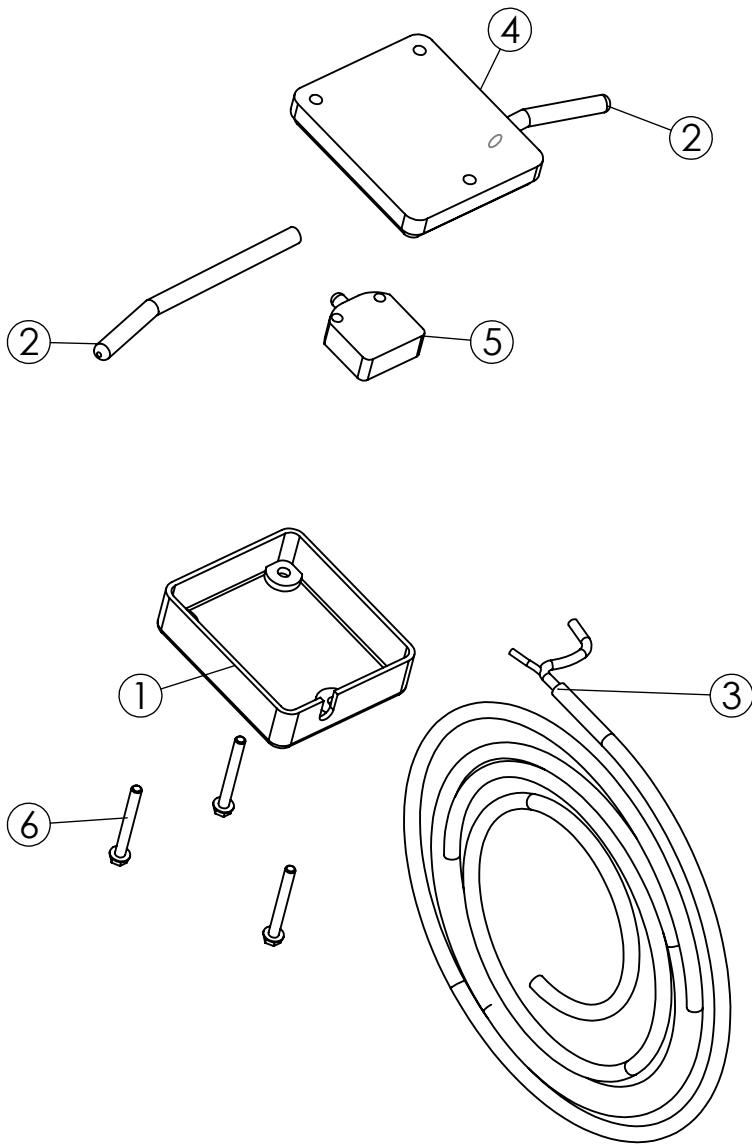


BLK = BLACK  
WHT = WHITE

 = CONNECTOR



# KILL SWITCH



**KILL SWITCH**

ITEM NO.	PART NUMBER	DESCRIPTION	QTY.
1	680456	CLUTCH HOUSING TOP	1
2	602675	ARM & SPRINGS (1 PAIR)	
3	9039	CLUTCH SWITCH WIRE	1
4	680454	CLUTCH HOUSING BOTTOM	1
5	300163	SWITCH, KILL ONLY	1
6	200911	8 x 1-1/2 Self Tapping TEK	3
.	300140	KILL SWITCH COMPLETE	





