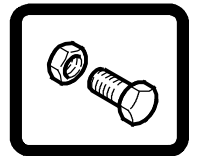




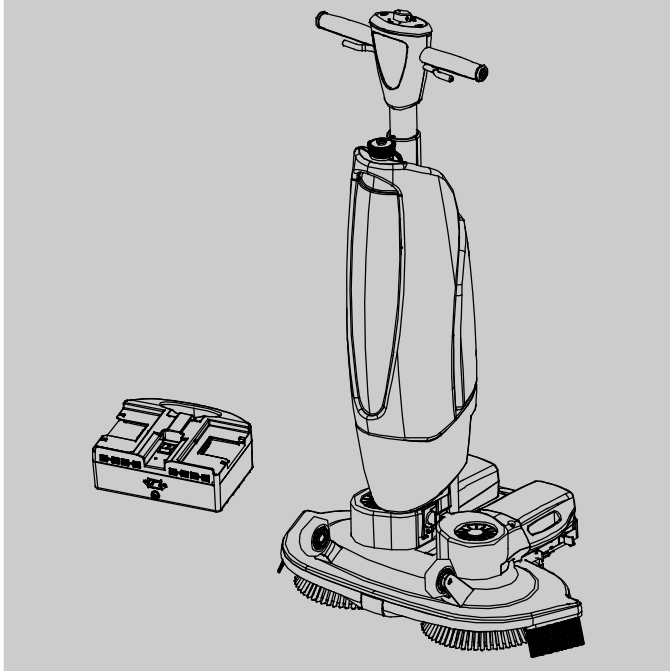
i-mop XXL[®]

SCRUBBER

Parts Manual



(S/N 300000-)



Model Part No.:
1237770 - Machine w/Battery & Charger, Blue Brushes
1232547 - Battery Charger



For the latest Parts manuals and other language Operator manuals, visit:

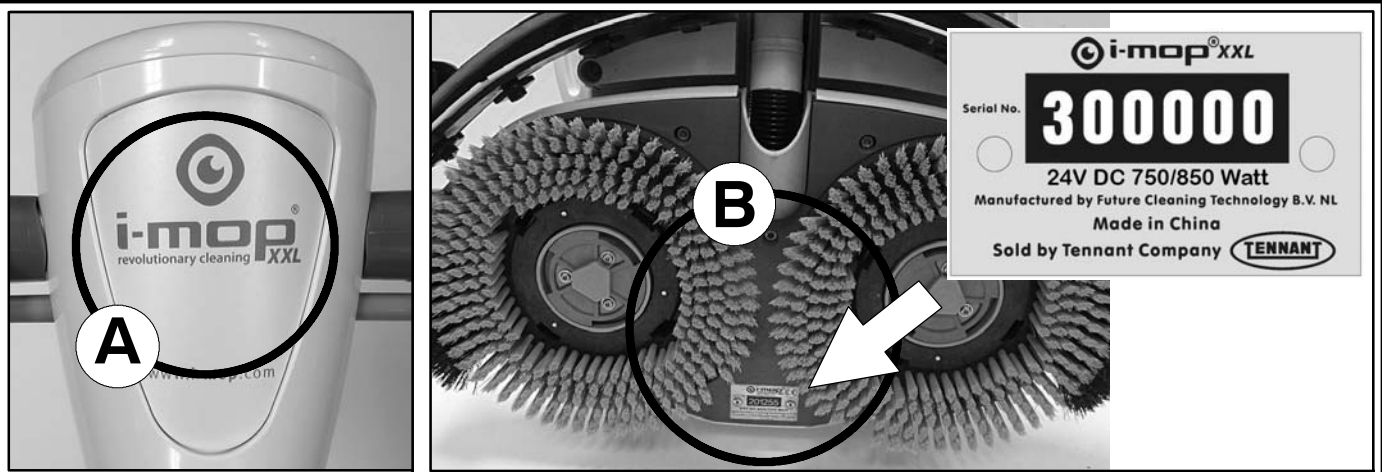
www.tennantco.com/manuals

North America / International

www.tennantco.com

9017613
Rev. 01 (08-2018)





Ref	Part No.	Serial Number	Description	Qty.
1	82681	(000000-)	Bracket Wldt, Lpg Mount	1
∇ 2	63810	(000000-)	Latch Assy, Lpg Tank Mtg, W/Nut	4
▲ 3	51839	(000000-)	Nut Adjustable, Lpg Tank Mtg	2
4	49263	(000000-)	Tie, Cable	3
(D)	82556	(000000- 001039)	Bracket, Vaporizer	1
	54930	(000000-)	Vaporizer, LPG	1

HOW TO ORDER PARTS - See diagram above

Only use TENNANT Company supplied or equivalent parts. Parts and supplies may be ordered online, by phone, by fax or by mail.

Follow the steps below to ensure prompt delivery.

1. (A) Identify the machine model.
2. (B) Identify the machine serial number from the data label.
3. (C) Ensure the proper serial number is used from the parts list.
4. Identify the part number and quantity. Do not order by page or reference numbers.
5. Provide your name, company name, customer ID number, billing and shipping address, phone number and purchase order number.
6. Provide detail shipping instructions.

- (D) ∇ - identifies an assembly
 ▲ - identifies parts included in assembly

Please fill out at time of installation for future reference.

Model No. - _____

Serial No. - _____

Machine Options - _____

Sales Rep. - _____

Sales Rep. phone no. - _____

Customer ID Number - _____

Installation Date - _____

Tennant Company

PO Box 1452
 Minneapolis, MN 55440 USA
 Phone: (800) 553- 8033
 www.tennantco.com

Specifications and parts are subject to change without notice.

Copyright © 2018 TENNANT Company, Printed in U.S.A.

STANDARD PARTS

GENERAL RECOMMENDED MAINTENANCE
ITEMS 5

HANDLE ASSEMBLY 6

HANDLE ASSEMBLY - CONT'D 8

CONTROL CONSOLE ASSEMBLY 10

CLEAN WATER TANK ASSEMBLY 12

DIRTY WATER TANK ASSEMBLY 14

SCRUB HEAD ASSEMBLY 16

BRUSH MOTOR ASSEMBLY 18

BRUSH DRIVER ASSEMBLY 20

PAD DRIVER ASSEMBLY 22

SQUEEGEE ASSEMBLY 24

MAIN LEVER ASSEMBLY 26

BATTERY PACK ASSEMBLY 28

BATTERY CHARGER ASSEMBLY 30

WALL CHARGERS (OPTION) 32

ELECTRICAL DIAGRAM 34

TABLE OF CONTENTS

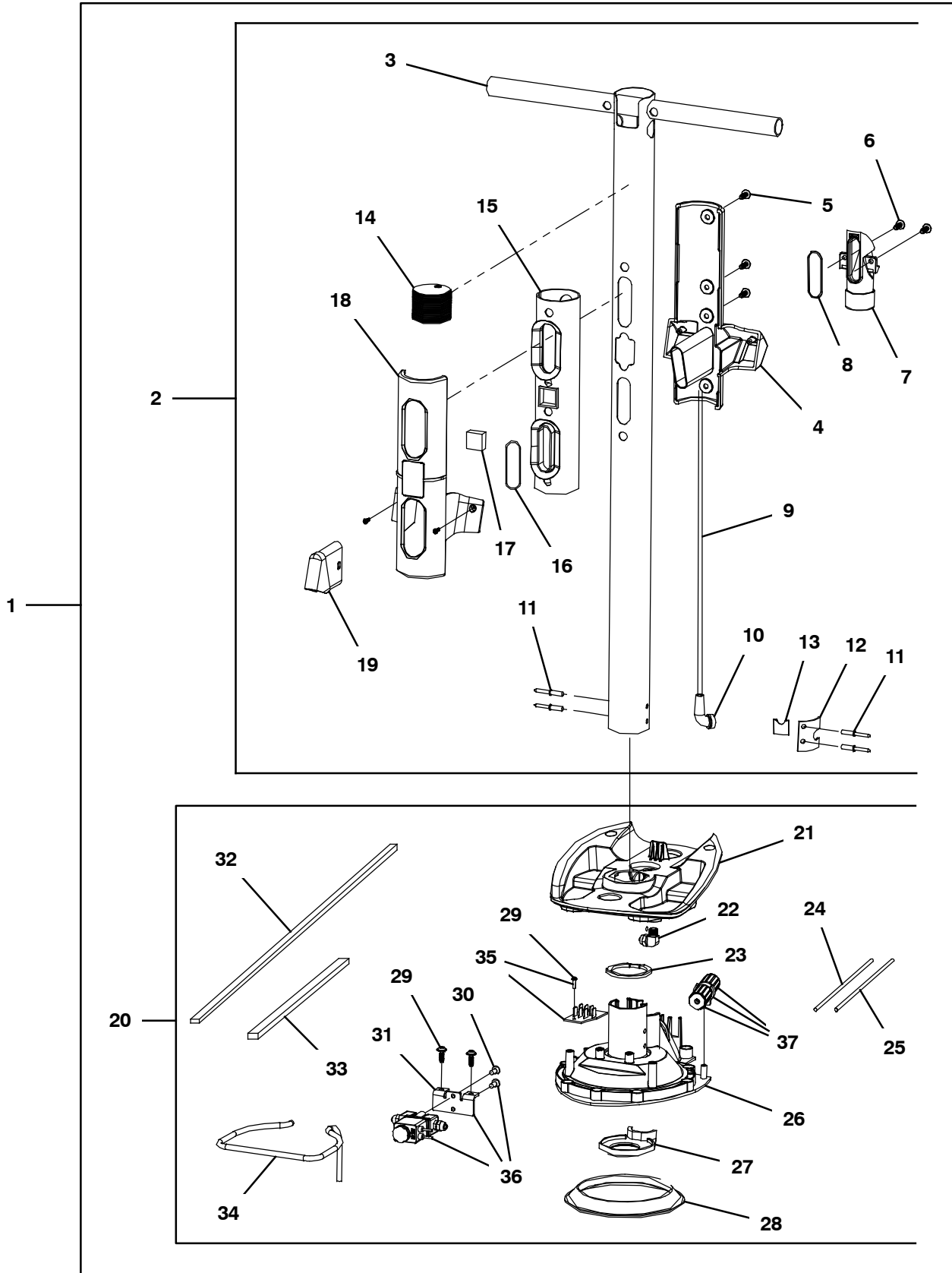
RECOMMENDED MAINTENANCE ITEMS

GENERAL RECOMMENDED MAINTENANCE ITEMS

Part No.	Serial Number	Description	Qty.
1237713	(300000-) Brush, Med, Blu, 11.8 [Xxl Qty 2] (Standard - Medium Duty Daily Scrubbing)	1
1237714	(300000-) Brush, Soft, Lt Blu, 11.8 [Xxl Qty 2] (Option - Soft Light Duty Cleaning)	1
1237715	(300000-) Brush, Hard, Red, 11.8 [Xxl Qty 2] (Option - Heavy Duty Deep Cleaning & Grout)	1
1237718	(300000-) Pad, Red, 10.6 [Xxl Box Of 10] (Cleaning)	1
1237717	(300000-) Pad, White, 10.6 [Xxl Box Of 10] (Buffing)	1
1237719	(300000-) Pad, Green, 10.6 [Xxl Box Of 10] (Scrubbing)	1
1237720	(300000-) Pad, Blu, 10.6 [Xxl Box Of 10] (Scrubbing)	1
1237721	(300000-) Pad, Black, 10.6 [Xxl Box Of 10] (Light Stripping)	1
1237725	(300000-) Pad, Green, 10.6 [Xxl Twister Qty 2] (Diamond Polishing Pad - Daily Cleaning)	1
1237722	(300000-) Pad, Yellow, 10.6 [Xxl Twister Qty 2] (Diamond Polishing Pad - Periodic Cleaning)	1
1237726	(300000-) Pad, White, 10.6 [Xxl Twister Qty 2] (Diamond Polishing Pad - Deep Cleaning)	1
1237727	(300000-) Pad, Red, 10.6 [Xxl Twister Qty 2] (Diamond Polishing Pad - Deep Cleaning Aggressive)	1
1237723	(300000-) Pad, Orange, 10.6 [Xxl Twister Qty 2] (Diamond Polishing Pad - Ceramic Tiles)	1
1237724	(300000-) Pad, Blu, 10.6 [Xxl Twister Qty 2] (Diamond Polishing Pad - High Traffic Areas)	1
1237729	(300000-) Blade, Sqge, Front 27.3 [Xxl Lina] (Standard)	1
1237731	(300000-) Blade, Sqge, Frnt, 27.3 [Xxl Ure] (Option)	1
1237730	(300000-) Blade, Sqge, Rear, 28.7 [Xxl Lina] (Standard)	1
1237732	(300000-) Blade, Sqge, Rear, 28.7 [Xxl Ure] (Option)	1
1237747	(300000-) Motor, Brush, Rh [Xxl]	1
1237746	(300000-) Motor, Brush, Lh [Xxl]	1
1237752	(300000-) Circuitboard, Cntrl [Xxl]	1
1237751	(300000-) Circuitboard, Cntrl, Bat [Xxl]	1
1232482	(300000-) Valve Assy, Copper, W/ Connectors (Includes Fixation Plate and Mounting Screws)	1
1232481	(300000-) Connector Assy, Upt, Sigar (Includes Clip and Mounting Screw)	1
1232673	(300000-) Caster Assy, Sqge (Includes Qty 3 Caster Assemblies And Retaining Assemblies)	3
1232674	(300000-) Fan, Vac (Complete Assembly - Includes Seals)	1
1232675	(300000-) Cover, Brush, Motor (Includes Qty 2 Cover Assemblies)	1
1237750	(300000-) Hinge Kit, [Xxl]	1
1237742	(300000-) Transport Kit, Caster, Rh [Xxl]	1
1237741	(300000-) Transport Kit, Caster, Lh [Xxl]	1
1232676	(300000-) Clip, Retaining, Tank (Includes Qty 2 Clip Assemblies)	1
1232519	(300000-) Coupling, Water	1
1237793	(300000-) Connector Kit, Hose, Sqge [Xxl]	1
1237790	(300000-) Knob Kit, Housing, Top [Xxl]	1
1232587	(300000-) Hose Assy, Stretch	1
1237769	(300000-) Filter, Recovery Tank, Cassette [Xxl]	1

HANDLE ASSEMBLY

355678



HANDLE ASSEMBLY

Ref.	Part No.	Serial Number	Description	Qty.
▽	1	1237758	(300000-) Tube Assy, Inlet [Xxl]	1
▲▽	2	1237792	(300000-) Tube Kit, Inlet [Xxl] (Includes Items #2- 19 Only)	1
▲▲	3	1237800	(300000-) Handle Wldt, Tube [Xxl]	1
▲▲	4	N/A	(300000-) Tank Holder Rear	1
▲▲	5	N/A	(300000-) Screw Wn 5451 50x25 Ejot Delta Pt	10
▲▲	6	N/A	(300000-) Screw Wn 5451 25x10 Ejot Delta Pt	2
▲▲	7	1234958	(300000-) Connector, Hose, Squeegee [Imop]	1
▲▲	8	N/A	(300000-) Gasket For Hose Connector	1
▲▲	9	1232494	(300000-) Cable, Connector, Cntrl [Utp]	1
▲▲	10	N/A	(300000-) Power Cable Guiding Rubber	1
▲▲	11	N/A	(300000-) Rivet With Dia. 5mm & Length 10mm	4
▲▲	12	N/A	(300000-) Sealing Pressure Plate	1
▲▲	13	N/A	(300000-) Sealing Rubber Sheet Al Tube	1
▲▲	14	N/A	(300000-) End Cap Inlet Tube	1
▲▲	15	1234957	(300000-) Seal, Tank, Recvy [Imop]	1
▲▲	16	N/A	(300000-) O- ring Wire Dia. 3mm, Od 46mm	1
▲▲	17	N/A	(300000-) Magnet Top Unit Small 20x20x10mm	1
▲▲	18	N/A	(300000-) Tank Holder Front	1
▲▲	19	1234953	(300000-) Deflector, Tank, Recvy [Imop]	1
▲▽	20	1232710	(300000-) Motor Kit, Top (Includes Items #22- 34 Only)	1
▲▲	21	N/A	(300000-) Motor Unit Top	1
▲▲	22	N/A	(300000-) Angle Metal Connector	1
▲▲	23	N/A	(300000-) Motor Unit Frame Rubber	1
▲▲	24	N/A	(300000-) 187 Terminal + Wire 14awg Red, L=280mm 250 Terminal	1
▲▲	25	N/A	(300000-) 187 Terminal + Wire 14awg Blk, L=280mm 250 Terminal	1
▲▲	26	N/A	(300000-) Motor Unit Frame	1
▲▲	27	N/A	(300000-) Center Sealing Gasket Top Vacuum Motor	1
▲▲	28	N/A	(300000-) Vacuum Motor Sealing Top	1
▲▲	29	N/A	(300000-) Screw M3x12 Crosshead Selftapping Bl- ni Sst	2
▲▲	30	1234975	(300000-) Screw, Flt, Soc, M4 X 10 Ss [10x, Imop]	2
▲▲	31	N/A	(300000-) Megnetic Ventil Fixation Plate Stainless Steel	1
▲▲	32	N/A	(300000-) Sealing Gasket Eva 3x1.5x593mm	1
▲▲	33	N/A	(300000-) Sealing Gasket Eva 4x2.5x150mm	1
▲▲	34	N/A	(300000-) Water Channel Dia. 6mm L:225mm	1
▲	35	1232486	(300000-) Circuitboard, Valve (Includes Items #29)	1
▲	36	1232482	(300000-) Valve Assy, Copper, W/ Connectors (Includes Items #30 & 31 Only)	1
▲	37	1232481	(300000-) Connector Assy, Upt, Sigar (Includes Clip and Mounting Screw)	1

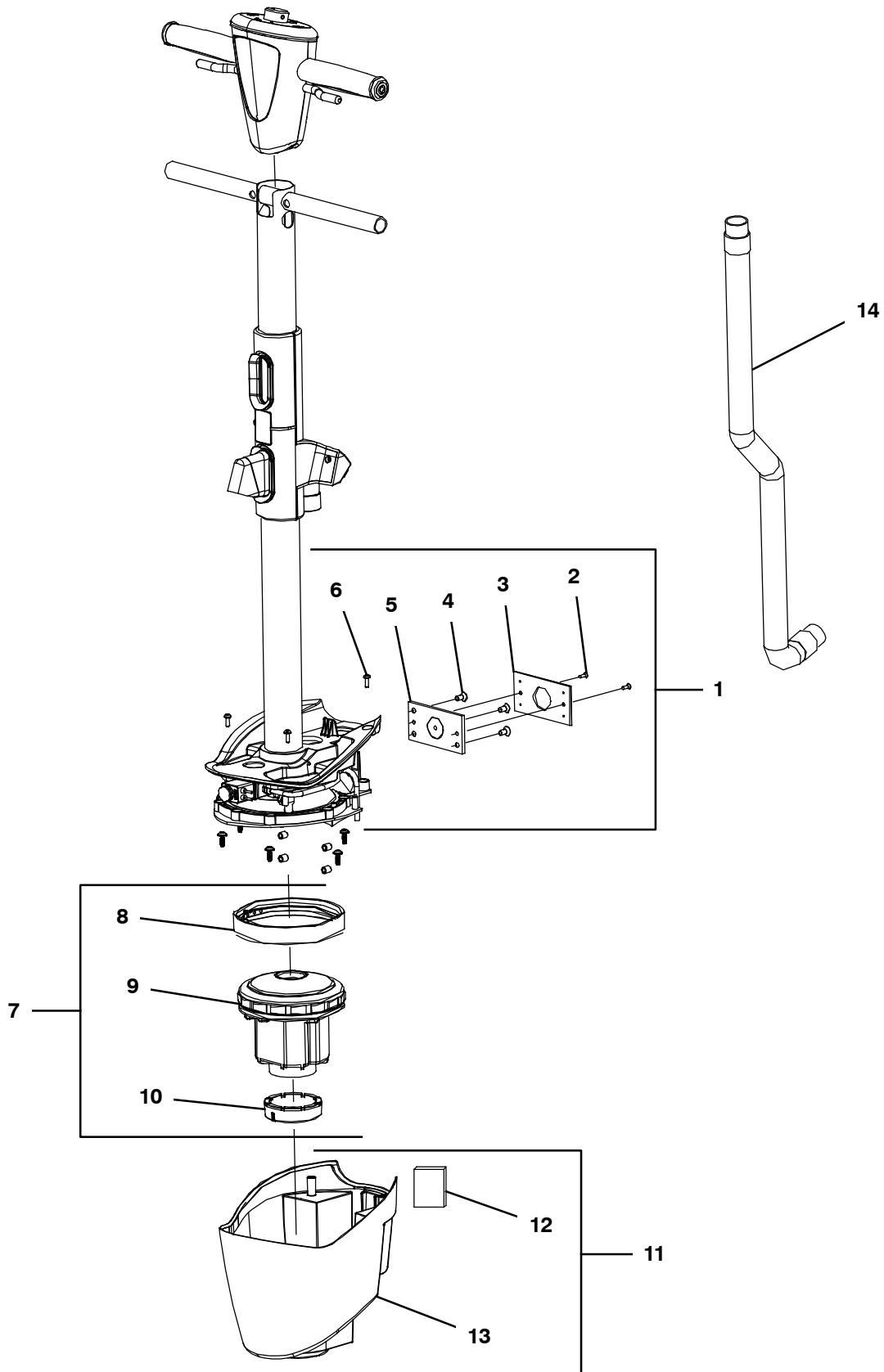
▽ ASSEMBLY

▲ INCLUDED IN ASSEMBLY

N/A = NOT AVAILABLE SEPARATELY - MUST ORDER ASSEMBLY (▽)

HANDLE ASSEMBLY - CONT'D

355679



HANDLE ASSEMBLY - CONT'D

Ref.	Part No.	Serial Number	Description	Qty.
▽	1	1232694	(300000-) Hinge Kit, Lever	1
▲	2	N/A	(300000-) Count Sunk Screw N3.5x13 Philips Head	2
▲	3	N/A	(300000-) Plastic Plate For Hinge Welding Assy	1
▲	4	1234974	(300000-) Screw, Flt, Soc, M6 X 12 NI [10x, Imop]	4
▲	5	N/A	(300000-) Hinge Welding Assy Top Unit	1
▲	6	N/A	(300000-) Screw M4x12	4
▽	7	1232674	(300000-) Fan, Vac (Complete Assembly - Includes Seals)	1
▲	8	N/A	(300000-) Domel Vacuum Cleaner Motor	1
▲	9	N/A	(300000-) Vac Motor Sealing Support	1
▲	10	N/A	(300000-) Vac Motor Sealing Bottom	1
▽	11	1232711	(300000-) Cover Kit, Fan	1
▲	12	N/A	(300000-) Magnet Top Unit	1
▲	13	N/A	(300000-) Motor Unit Cover	1
	14	1232587	(300000-) Hose Assy, Stretch	1

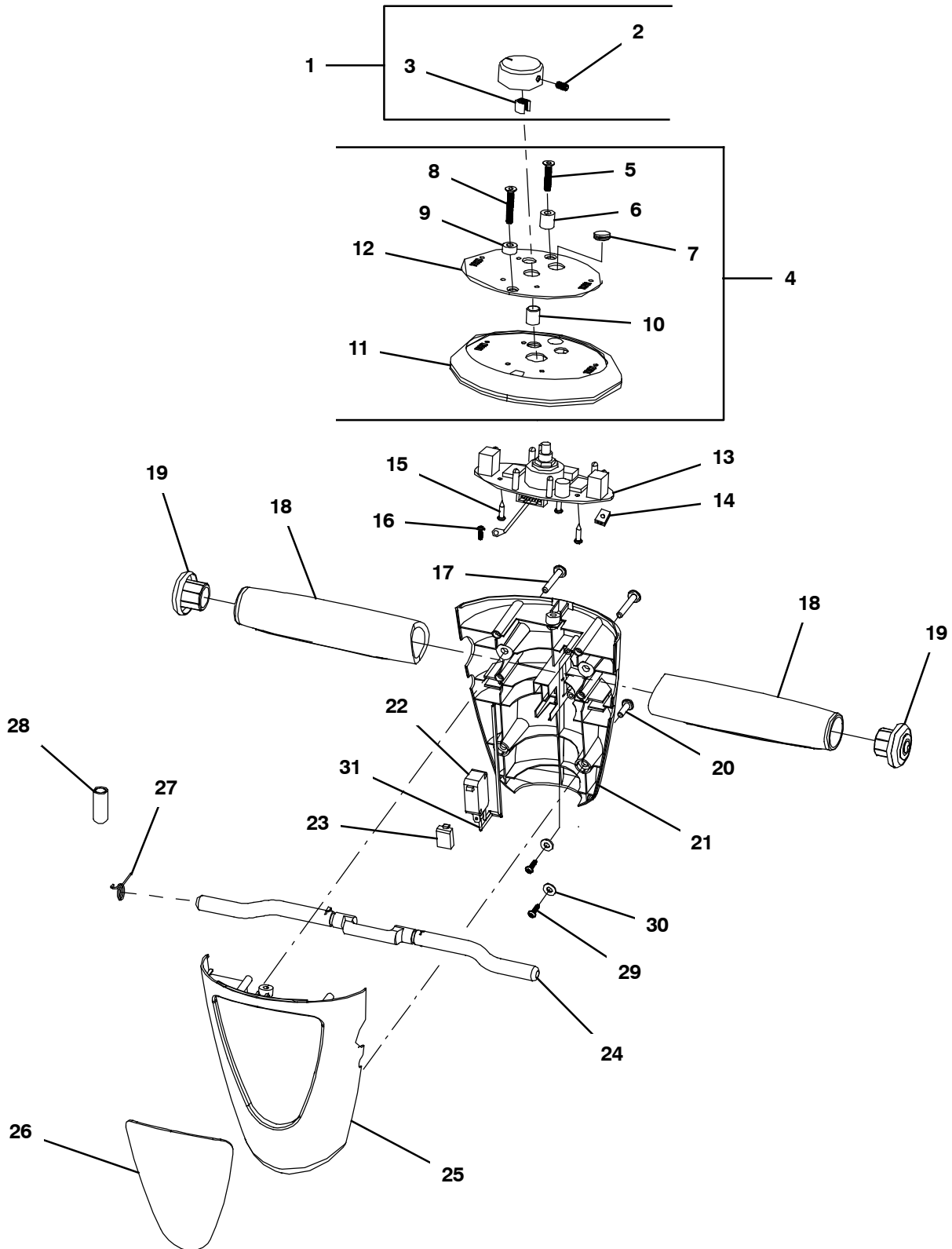
▽ ASSEMBLY

▲ INCLUDED IN ASSEMBLY

N/A = NOT AVAILABLE SEPARATELY - MUST ORDER ASSEMBLY (▽)

CONTROL CONSOLE ASSEMBLY

355672



CONTROL CONSOLE ASSEMBLY

Ref.	Part No.	Serial Number	Description	Qty.
▽	1	1237790	(300000-) Knob Kit, Housing, Top [Xxl]	1
▲	2	N/A	(300000-) Hexagon Socket Set Screw M4 x 8	1
▲	3	N/A	(300000-) Fixation Insert Turning Button	1
▽	4	1237791	(300000-) Housing Kit, Control, Top [Xxl]	1
▲	5	N/A	(300000-) M4x25 Countersunk Screw Stainless Steel	1
▲	6	N/A	(300000-) Support Plastic Bush Top Al Sticker Long	1
▲	7	N/A	(300000-) Rubber Block Water Save Adjustment Hole[A]	1
▲	8	N/A	(300000-) M4x20 Countersunk Screw Stainless Steel	1
▲	9	N/A	(300000-) Support Plastic Bush Top Al Sticker Short	1
▲	10	N/A	(300000-) Water Save Button	1
▲	11	1234960	(300000-) Housing, Cotrol, Top [White, Imop]	1
▲	12	1237766	(300000-) Decal Kit, Instr, Dash [Xxl]	1
	13	1237752	(300000-) Circuitboard, Cntrl [Xxl]	1
	14	N/A	(300000-) Switch Wire Clamp, Color: Black	1
	15	N/A	(300000-) Screw M3x12 Crosshead Selftapping Bl- ni Sst	3
	16	N/A	(300000-) Screw 4x10	1
	17	N/A	(300000-) Screw M4x35 Crosshead, Standard Thread Sst	2
	18	1237759	(300000-) Grip, Handle [Xxl I- Mop Set Of 2]	1
	19	N/A	(300000-) End Cap Grip, Color: Blue (P312C)	2
	20	N/A	(300000-) Screw M4x12 Crosshead, Standard Thread Sst	2
	21	1234959	(300000-) Housing, Control, Rear [White, Imop]	1
	22	N/A	(300000-) Power Switch Control Unit Omoron	1
	23	N/A	(300000-) Rubber Block 15x10x5mm Injected	1
	24	1234961	(300000-) Handle, Control [Blue, Imop]	1
	25	1234962	(300000-) Housing, Control, Front [White, Imop]	1
	26	1237767	(300000-) Plate, Label, Handle [Al, I- Mop Xxl]	1
	27	N/A	(300000-) Spring Switch Lever Dia 0.8mm	1
	28	N/A	(300000-) Magnet Ring Easy Scrub	1
	29	N/A	(300000-) Screw Wn 5451 25x10 Ejot Delta Pt	2
	30	N/A	(300000-) Plastic Washer 9x4x1mm	2
	31	N/A	(300000-) On/Off Switch Wires / L=250mm	1

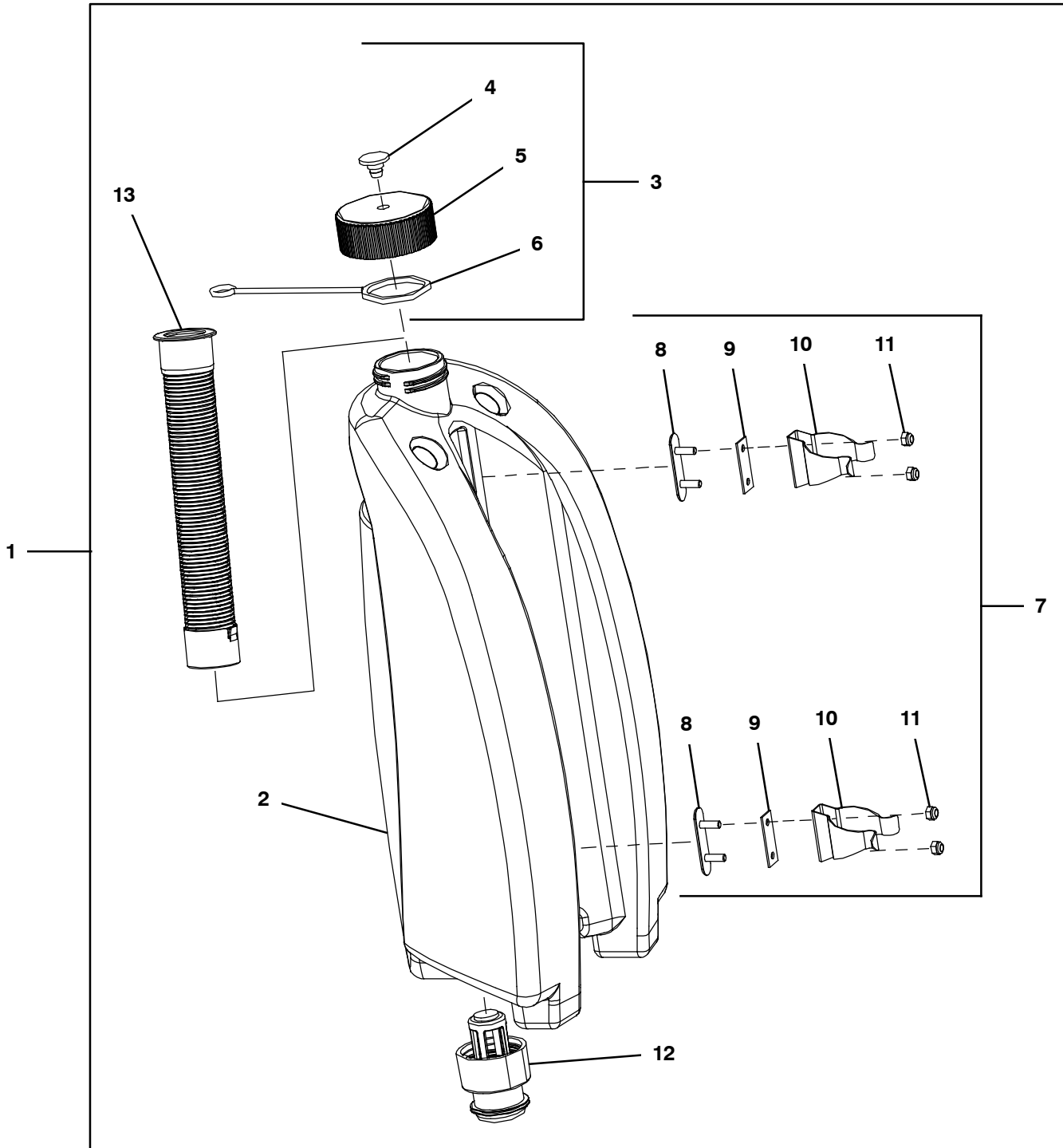
▽ ASSEMBLY

▲ INCLUDED IN ASSEMBLY

N/A = NOT AVAILABLE SEPARATELY - MUST ORDER ASSEMBLY (▽)

CLEAN WATER TANK ASSEMBLY

355673



CLEAN WATER TANK ASSEMBLY

	Ref.	Part No.	Serial Number	Description	Qty.
▽	1	1237699	(300000-) Tank Assy, Sol, Std [Blue Cap Xxl]	1
▽	1	1237702	(300000-) Tank Assy, Sol, Opt [Red Cap Xxl]	1
▽	1	1237700	(300000-) Tank Assy, Sol, Opt [Yellow Cap Xxl]	1
▽	1	1237701	(300000-) Tank Assy, Sol, Opt [Green Cap Xxl]	1
▲	2	N/A	(300000-) Clean Water Compartment	1
▲▽	3	1232663	(300000-) Cap Kit, Tank, Sol [Blue] (Standard)	1
▲▽	3	1232665	(300000-) Cap Kit, Tank, Sol [Red] (Option)	1
▲▽	3	1232666	(300000-) Cap Kit, Tank, Sol [Yellow] (Option)	1
▲▽	3	1232667	(300000-) Cap Kit, Tank, Sol [Green] (Option)	1
▲▲	4	N/A	(300000-) Sleeve Cap Holder Clean Tank	1
▲▲	5	N/A	(300000-) Cap With Hole	1
▲▲	6	N/A	(300000-) Cap Holder	1
▲▽	7	1232676	(300000-) Clip, Retaining, Tank (Includes Qty 2 Clip Assemblies)	1
▲▲	8	N/A	(300000-) Holder Plate Clip Clean Tank	2
▲▲	9	N/A	(300000-) Rubber Cushion For Metal Clip	2
▲▲	10	N/A	(300000-) Clip, Retaining, Tank	2
▲▲	11	N/A	(300000-) Nut M4 Nylon Stainless	4
▲	12	1232519	(300000-) Coupling, Water	1
▲	13	N/A	(300000-) Hose Assy, Filling (Located Inside of Tank Assembly)	1

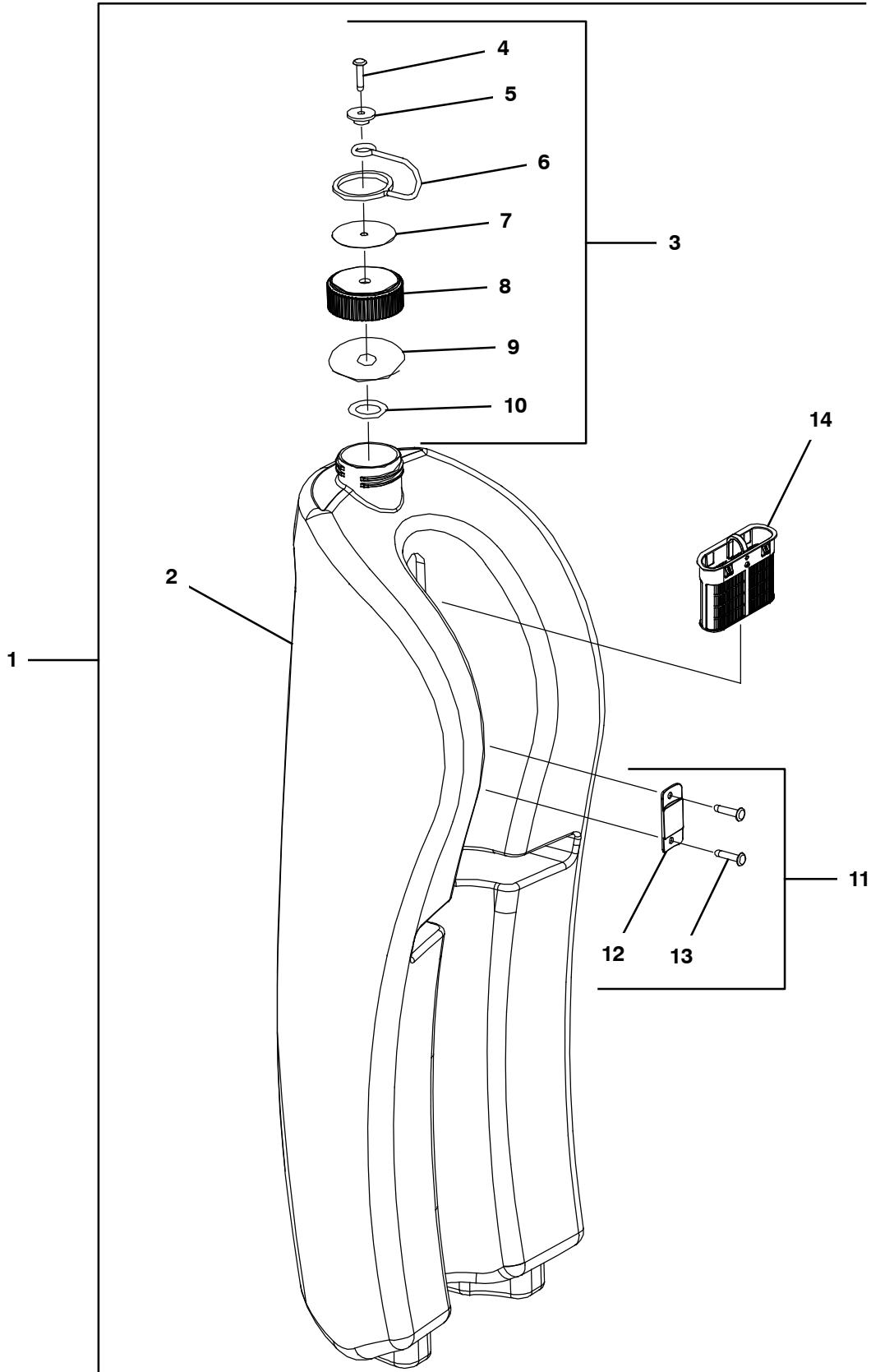
▽ ASSEMBLY

▲ INCLUDED IN ASSEMBLY

N/A = NOT AVAILABLE SEPARATELY - MUST ORDER ASSEMBLY (▽)

DIRTY WATER TANK ASSEMBLY

355674



DIRTY WATER TANK ASSEMBLY

	Ref.	Part No.	Serial Number	Description	Qty.
▽	1	1237712	(300000-) Tank Assy, Rec [Xxl]	1
▲	2	N/A	(300000-) Dirty Water Compartment	1
▲▽	3	1232661	(300000-) Cap Kit, Tank, Rec	1
▲▲	4	N/A	(300000-) Blind Rivet Nail 4 X 15 Mmg	1
▲▲	5	N/A	(300000-) Sleeve Cap Holder	1
▲▲	6	N/A	(300000-) Cap Holder	1
▲▲	7	N/A	(300000-) Warning Plate On Dirty Tank Round Stainless 4.5mm	1
▲▲	8	N/A	(300000-) Cap Without Hole	1
▲▲	9	N/A	(300000-) Sealing Gasket Cap Dirty Tank	1
▲▲	10	N/A	(300000-) Plastic Washer 9x4x1mm	1
▲▽	11	1232600	(300000-) Plate, Mtg, Tank	1
▲▲	12	N/A	(300000-) Fixation Plate Dirt Compartment	1
▲▲	13	N/A	(300000-) Blind Rivet Nail 4 X 15 Mmg	2
▲	14	1237769	(300000-) Filter, Recovery Tank, Cassette [Xxl]	1

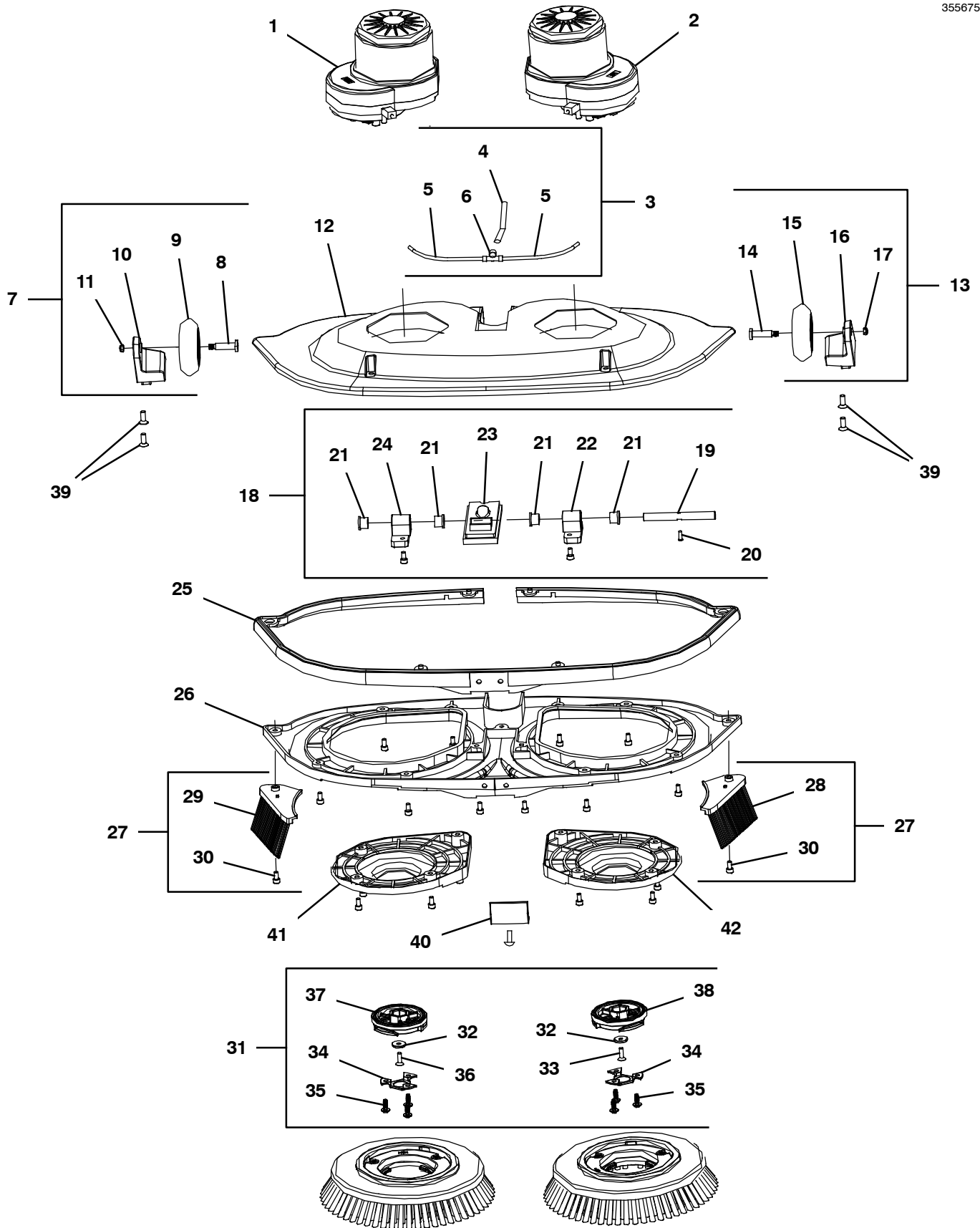
▽ ASSEMBLY

▲ INCLUDED IN ASSEMBLY

N/A = NOT AVAILABLE SEPARATELY - MUST ORDER ASSEMBLY (▽)

SCRUB HEAD ASSEMBLY

355675



SCRUB HEAD ASSEMBLY

Ref.	Part No.	Serial Number	Description	Qty.
	1	1237747	(300000-) Motor, Brush, Rh [Xxl] (See Brush Motor Assembly)	1
	2	1237746	(300000-) Motor, Brush, Lh [Xxl] (See Brush Motor Assembly)	1
▽	3	1232693	(300000-) Fitting Assy, Water Channel [Imop]	1
▲	4	N/A	(300000-) Water Channel Dia. 6mm L:690mm	1
▲	5	N/A	(300000-) Water Channel Dia. 4mm L:110mm	2
▲	6	N/A	(300000-) Water Coupling Brush Motor	1
▽	7	1237742	(300000-) Transport Kit, Caster, Rh [Xxl]	1
▲	8	N/A	(300000-) Shaft Transport Caster	1
▲	9	N/A	(300000-) Transport Caster	1
▲	10	N/A	(300000-) Transport Wheel Pilar Right	1
▲	11	N/A	(300000-) Nut M5 Nylon	1
	12	1237739	(300000-) Cover, Motor, Cover [Xxl]	1
▽	13	1237741	(300000-) Transport Kit, Caster, Lh [Xxl]	1
▲	14	N/A	(300000-) Shaft Transport Caster	1
▲	15	N/A	(300000-) Transport Caster	1
▲	16	N/A	(300000-) Transport Wheel Pilar Left	1
▲	17	N/A	(300000-) Nut M5 Nylon	1
▽	18	1232714	(300000-) Hinge Kit, Hd, Brush	1
▲	19	N/A	(300000-) Chassis Hinge	1
▲	20	N/A	(300000-) Nylok Screw Counter Sunk Bolt M4x12	1
▲	21	N/A	(300000-) Bushing Axis 10	4
▲	22	N/A	(300000-) Brush Unit Hinge Support Left	1
▲	23	N/A	(300000-) Construction Cover Seal	1
▲	24	N/A	(300000-) Brush Unit Hinge Support Right	1
	25	1237743	(300000-) Bumper, Brush [Xxl]	1
	26	1237745	(300000-) Cover, Brush, Bottom [Xxl]	1
▽	27	1237988	(300000-) Splash Kit, Guards [Xxl Lh & Rh]	1
▲	28	N/A	(300000-) Splashing Guard Imop Left	1
▲	29	N/A	(300000-) Splashing Guard Imop Right	1
▲	30	N/A	(300000-) Nylok Hexagon Socket Head Cap Screw M5x20	2
▽	31	1232675	(300000-) Cover, Brush, Motor (Includes Qty 2 Cover Assemblies)	1
▲	32	N/A	(300000-) Support Disk Driving Wheel Side Hole Dia 5mm	2
▲	33	1234973	(300000-) Screw, Flt, Soc, M5 X 18.5 Lh NI [Imop]	1
▲	34	N/A	(300000-) Cover Brush Motor Screw Color: Blue	2
▲	35	N/A	(300000-) Screw Wn 5451 50x14 Ejot Delta Pt	6
▲	36	1234972	(300000-) Screw, Flt, Soc, M5 X 18.5 NI [10x,Imop]	1
▲	37	N/A	(300000-) Driving Wheel Bottom Right Color: Gray	1
▲	38	N/A	(300000-) Driving Wheel Bottom Left Color: Gray	1
	39	1234969	(300000-) Screw, Flt, Soc, M6 X 16 NI [10x,Imop]	4
	40	1237736	(300000-) Bumper, [Xxl]	1
	41	1237738	(300000-) Plate, Mount, Motor, Rh [Xxl]	1
	42	1237737	(300000-) Plate, Mount, Motor, Lh [Xxl]	1

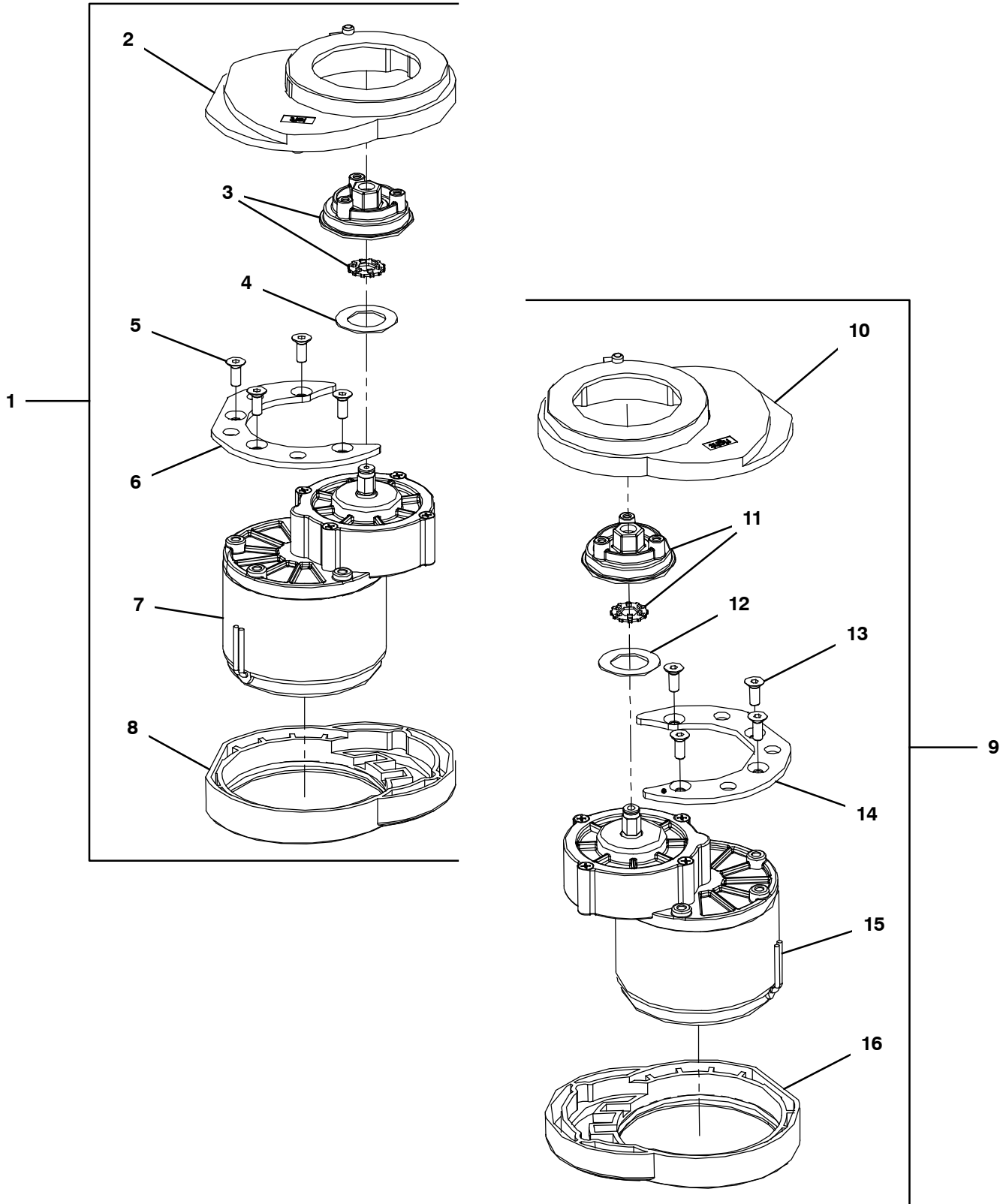
▽ ASSEMBLY

▲ INCLUDED IN ASSEMBLY

N/A = NOT AVAILABLE SEPARATELY - MUST ORDER ASSEMBLY (▽)

BRUSH MOTOR ASSEMBLY

355680



BRUSH MOTOR ASSEMBLY

	Ref.	Part No.	Serial Number	Description	Qty.
▽	1	1237746	(300000-) Motor, Brush, Lh [Xxl]	1
▲	2	N/A	(300000-) Brush Motor Support Rubber Left	1
▲	3	1237826	(300000-) Wheel, Driving, W/Metal Insert [Xxl]	1
▲	4	N/A	(300000-) Felt Brush Motor	1
▲	5	N/A	(300000-) Nylock Screw Counter Sunk Bolt M6 x 16	4
▲	6	N/A	(300000-) Brush Motor Construction Ring Left	1
▲	7	N/A	(300000-) Brush Motor Helical Gears Left	1
▲	8	N/A	(300000-) Brush Motor Fixation Conductive Rubber Left	1
▽	9	1237747	(300000-) Motor, Brush, Rh [Xxl]	1
▲	10	N/A	(300000-) Brush Motor Support Rubber Right	1
▲	11	1237826	(300000-) Wheel, Driving, W/Metal Insert [Xxl]	1
▲	12	N/A	(300000-) Felt Brush Motor	1
▲	13	N/A	(300000-) Nylock Screw Counter Sunk Bolt M6 x 16	4
▲	14	N/A	(300000-) Brush Motor Construction Ring Right	1
▲	15	N/A	(300000-) Brush Motor Helical Gears Right	1
▲	16	N/A	(300000-) Brush Motor Fixation Conductive Rubber Right	1

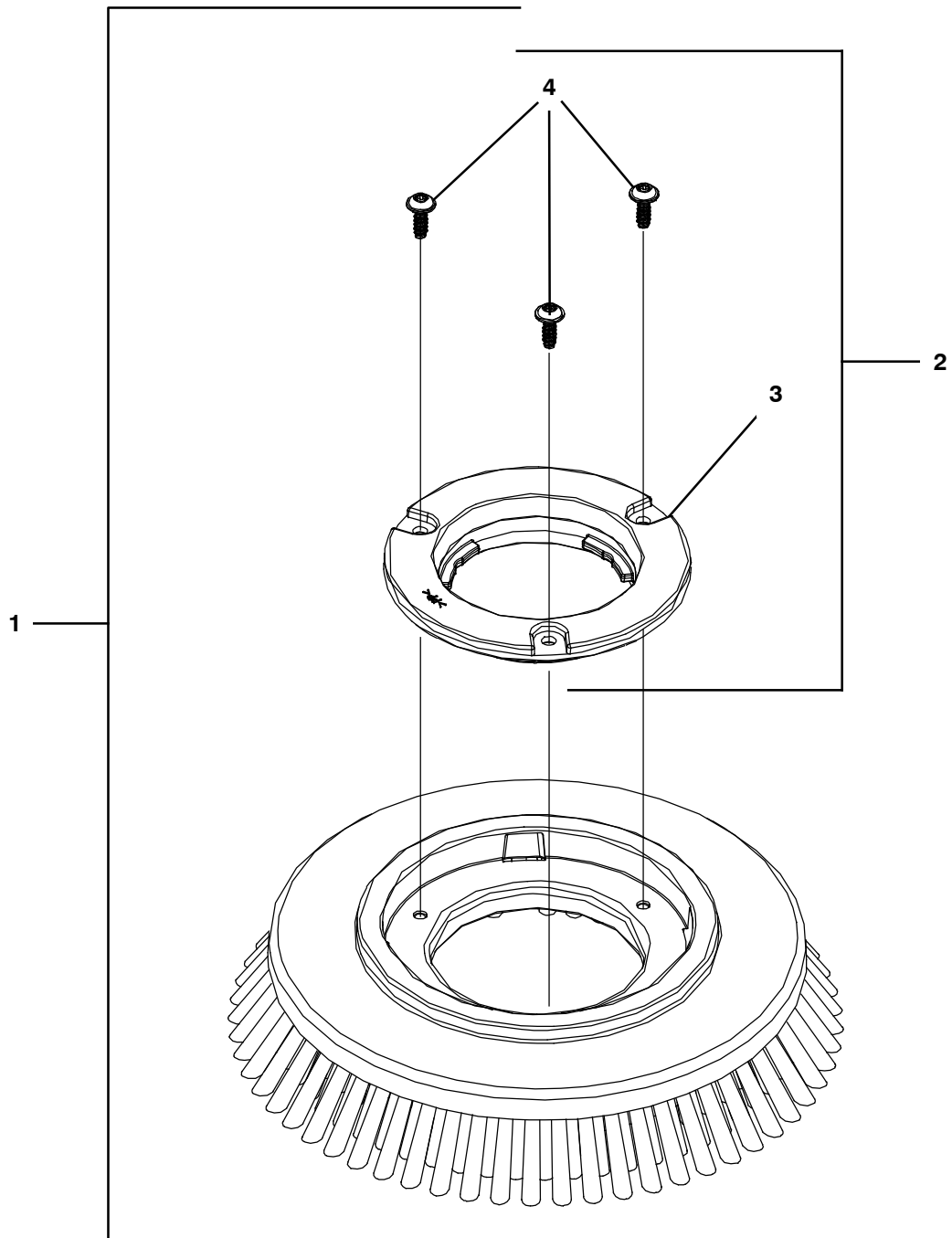
▽ ASSEMBLY

▲ INCLUDED IN ASSEMBLY

N/A = NOT AVAILABLE SEPARATELY - MUST ORDER ASSEMBLY (▽)

BRUSH DRIVER ASSEMBLY

355681



BRUSH DRIVER ASSEMBLY

	Ref.	Part No.	Serial Number	Description	Qty.
∇	1	1237713	(300000-) Brush, Med, Blu, 11.8 [Xxl Qty 2] (Standard - Medium Duty Daily Scrubbing)	1
∇	1	1237714	(300000-) Brush, Soft, Lt Blu, 11.8 [Xxl Qty 2] (Option - Soft Light Duty Cleaning)	1
∇	1	1237715	(300000-) Brush, Hard, Red, 11.8 [Xxl Qty 2] (Option - Heavy Duty Deep Cleaning & Grout)	1
▲∇	2	1232620	(300000-) Driver Kit, Brush [Blue] (Set of 2) (Standard)	1
▲∇	2	1232622	(300000-) Driver Kit, Brush [Red] (Set of 2) (Option)	1
▲∇	2	1232624	(300000-) Driver Kit, Brush [Yellow] (Set of 2) (Option)	1
▲∇	2	1232626	(300000-) Driver Kit, Brush [Green] (Set of 2) (Option)	1
▲▲	3	N/A	(300000-) Brush Locker Blue (Standard)	2
▲▲	3	N/A	(300000-) Brush Locker Red (Option)	2
▲▲	3	N/A	(300000-) Brush Locker Yellow (Option)	2
▲▲	3	N/A	(300000-) Brush Locker Green (Option)	2
▲▲	4	N/A	(300000-) Screw Wn 5451 50x14 Ejot Delta Pt	6

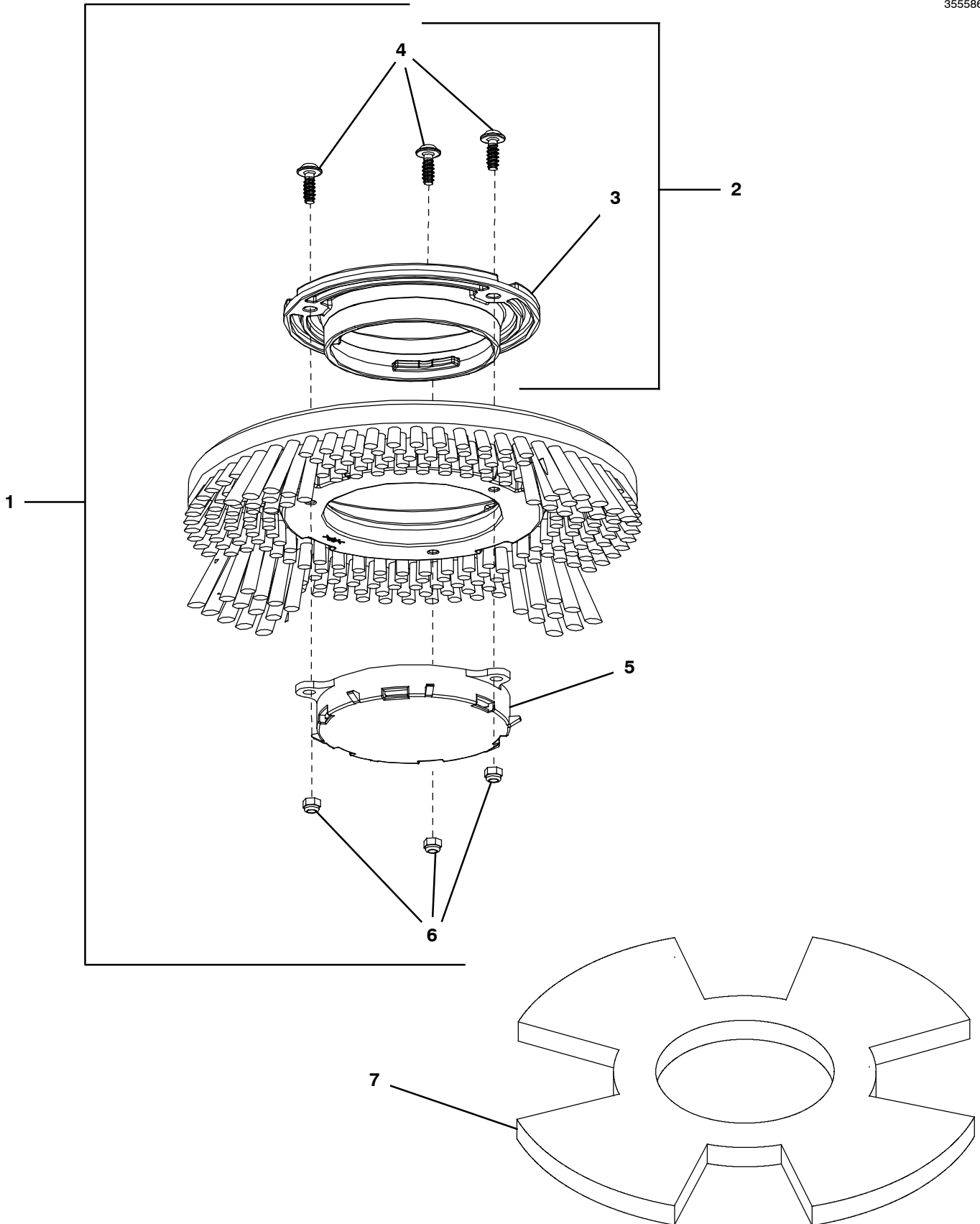
∇ ASSEMBLY

▲ INCLUDED IN ASSEMBLY

N/A = NOT AVAILABLE SEPARATELY - MUST ORDER ASSEMBLY (∇)

PAD DRIVER ASSEMBLY

355586



PAD DRIVER ASSEMBLY

Ref.	Part No.	Serial Number	Description	Qty.
▽	1	1237716	(300000-) Driver Assy, Pad, Blu, 11.7 [Xxl Qty 2]	1
▲▽	2	1232620	(300000-) Driver Kit, Brush [Blue] (Standard)	2
▲▽	2	1232622	(300000-) Driver Kit, Brush [Red] (Option)	2
▲▽	2	1232624	(300000-) Driver Kit, Brush [Yellow] (Option)	2
▲▽	2	1232626	(300000-) Driver Kit, Brush [Green] (Option)	2
▲▲	3	N/A	(300000-) Brush Locker Blue (Standard)	2
▲▲	3	N/A	(300000-) Brush Locker Red (Option)	2
▲▲	3	N/A	(300000-) Brush Locker Yellow (Option)	2
▲▲	3	N/A	(300000-) Brush Locker Green (Option)	2
▲▲	4	N/A	(300000-) Screw Wn 5451 50x14 Ejot Delta Pt	6
▲	5	N/A	(300000-) Assy Pad Holder Imop	2
▲	6	N/A	(300000-) Nut M4 Nylon Stainless	6
	7	1237718	(300000-) Pad, Red, 10.6 [Xxl Box Of 10] (Cleaning)	1
	7	1237717	(300000-) Pad, White, 10.6 [Xxl Box Of 10] (Buffing)	1
	7	1237719	(300000-) Pad, Green, 10.6 [Xxl Box Of 10] (Scrubbing)	1
	7	1237720	(300000-) Pad, Blu, 10.6 [Xxl Box Of 10] (Scrubbing)	1
	7	1237721	(300000-) Pad, Black, 10.6 [Xxl Box Of 10] (Light Stripping)	1
	7	1237725	(300000-) Pad, Green, 10.6 [Xxl Twister Qty 2] (Diamond Polishing Pad - Daily Cleaning)	1
	7	1237722	(300000-) Pad, Yellow, 10.6 [Xxl Twister Qty 2] (Diamond Polishing Pad - Periodic Cleaning)	1
	7	1237726	(300000-) Pad, White, 10.6 [Xxl Twister Qty 2] (Diamond Polishing Pad - Deep Cleaning)	1
	7	1237727	(300000-) Pad, Red, 10.6 [Xxl Twister Qty 2] (Diamond Polishing Pad - Deep Cleaning Aggressive)	1
	7	1237723	(300000-) Pad, Orange, 10.6 [Xxl Twister Qty 2] (Diamond Polishing Pad - Ceramic Tiles)	1
	7	1237724	(300000-) Pad, Blu, 10.6 [Xxl Twister Qty 2] (Diamond Polishing Pad - High Traffic Areas)	1

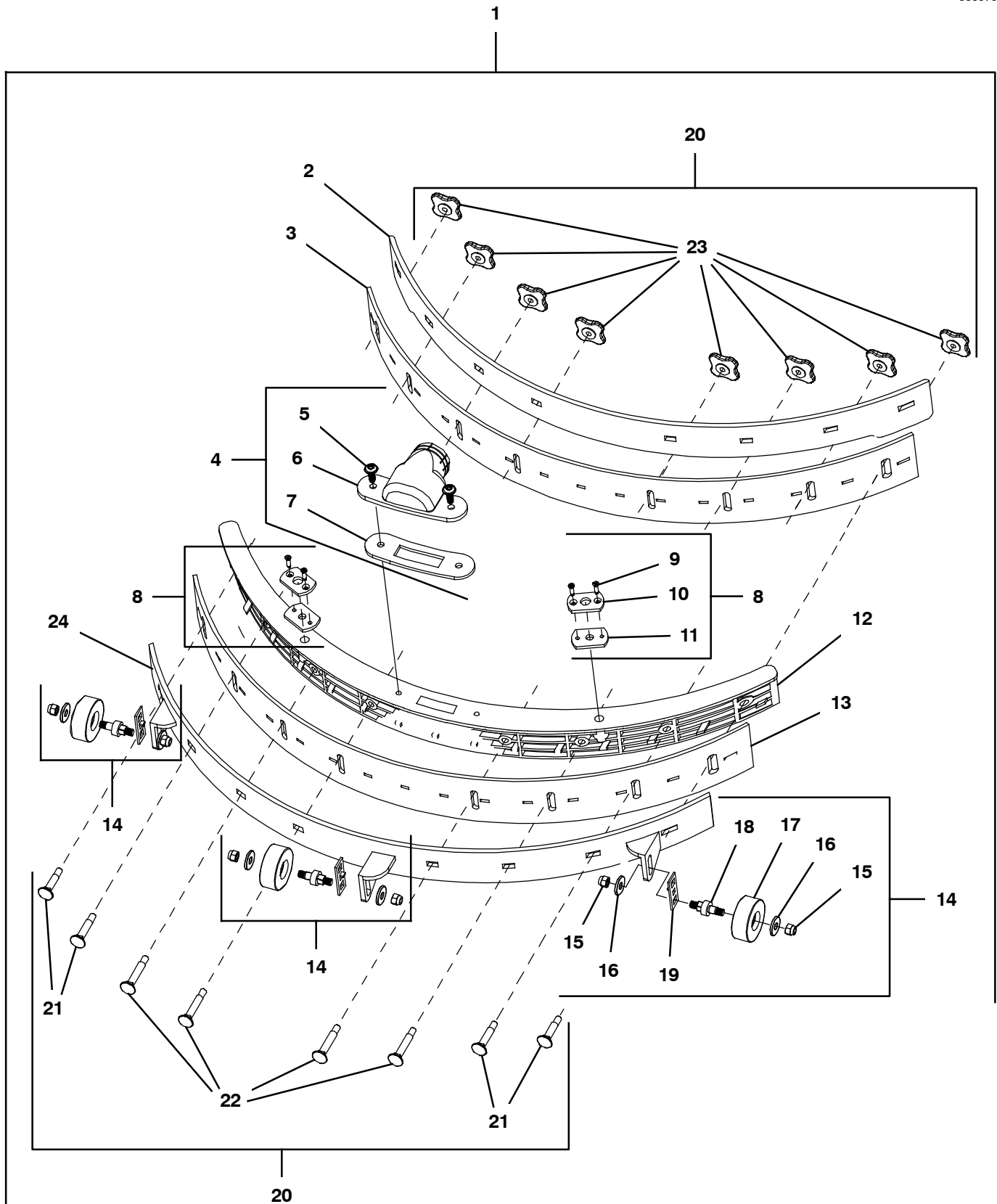
▽ ASSEMBLY

▲ INCLUDED IN ASSEMBLY

N/A = NOT AVAILABLE SEPARATELY - MUST ORDER ASSEMBLY (▽)

SQUEEGEE ASSEMBLY

355579



SQUEEGEE ASSEMBLY

Ref.	Part No.	Serial Number	Description	Qty.
▽	1	1237728	(300000-) Squeegee Assy, 26.0 [Xxl]	1
▲	2	1237756	(300000-) Plate, Rear, Sqge [Xxl I- Mop]	1
▲	3	1237729	(300000-) Blade, Sqge, Front 27.3 [Xxl Lina] (Standard)	1
	3	1237731	(300000-) Blade, Sqge, Frnt, 27.3 [Xxl Ure] (Option)	1
▲▽	4	1237793	(300000-) Connector Kit, Hose, Sqge [Xxl]	1
▲▲	5	1237799	(300000-) Screw, 50 X 14 Ejot, W/Hex Head [Xxl]	2
▲▲	6	N/A	(300000-) Squeegee Hose Connector- Up Yellow	1
▲▲	7	1234956	(300000-) Gasket, Hose, Squeegee [Imop]	1
▲▽	8	1232696	(300000-) Retaining Kit, Sqge (Includes Qty 2 Retaining Assemblies)	1
▲▲	9	N/A	(300000-) M3x10 Countersunk Self Tap Screw	4
▲▲	10	1234947	(300000-) Plate, Mtg, Sqge [Blue, Imop] (Qty 1)	2
▲▲	11	1233871	(300000-) Washer, Rbr, Sqge [Black, Imop] (Qty 1)	2
	11	1234948	(300000-) Washer, Rbr, Sqge [Black, Imop, Qty 100]	1
▲	12	1237757	(300000-) Plate, Top, Sqge [Xxl I- Mop]	1
▲	13	1237730	(300000-) Blade, Sqge, Rear, 28.7 [Xxl Lina] (Standard)	1
	13	1237732	(300000-) Blade, Sqge, Rear, 28.7 [Xxl Ure] (Option)	1
▲▽	14	1232673	(300000-) Caster Assy, Sqge (Includes Qty 3 Caster Assemblies And Item #8 Retaining Assemblies)	1
▲▲	15	N/A	(300000-) Nut M5 Nylon	6
▲▲	16	N/A	(300000-) M5 Washer Stainless Steel 5x15x1mm	6
▲▲	17	N/A	(300000-) Squeegee Castor Gray Dia 8mm	3
▲▲	18	N/A	(300000-) Shaft Squeegee Castor Dia 8mm	3
▲▲	19	N/A	(300000-) Height Adjustment Plate	3
▲▽	20	1232688	(300000-) Knob Kit, Retainer, Sqge	1
▲▲	21	N/A	(300000-) M5 Screw Bolt, Thread Length 30	4
▲▲	22	N/A	(300000-) M5 Screw Bolt, Thread Length 35	4
▲▲	23	N/A	(300000-) Plastic Nut Squeegee	8
▲	24	1237755	(300000-) Plate, Rear, Sqge [Wheel Side Xxl I- Mop]	1

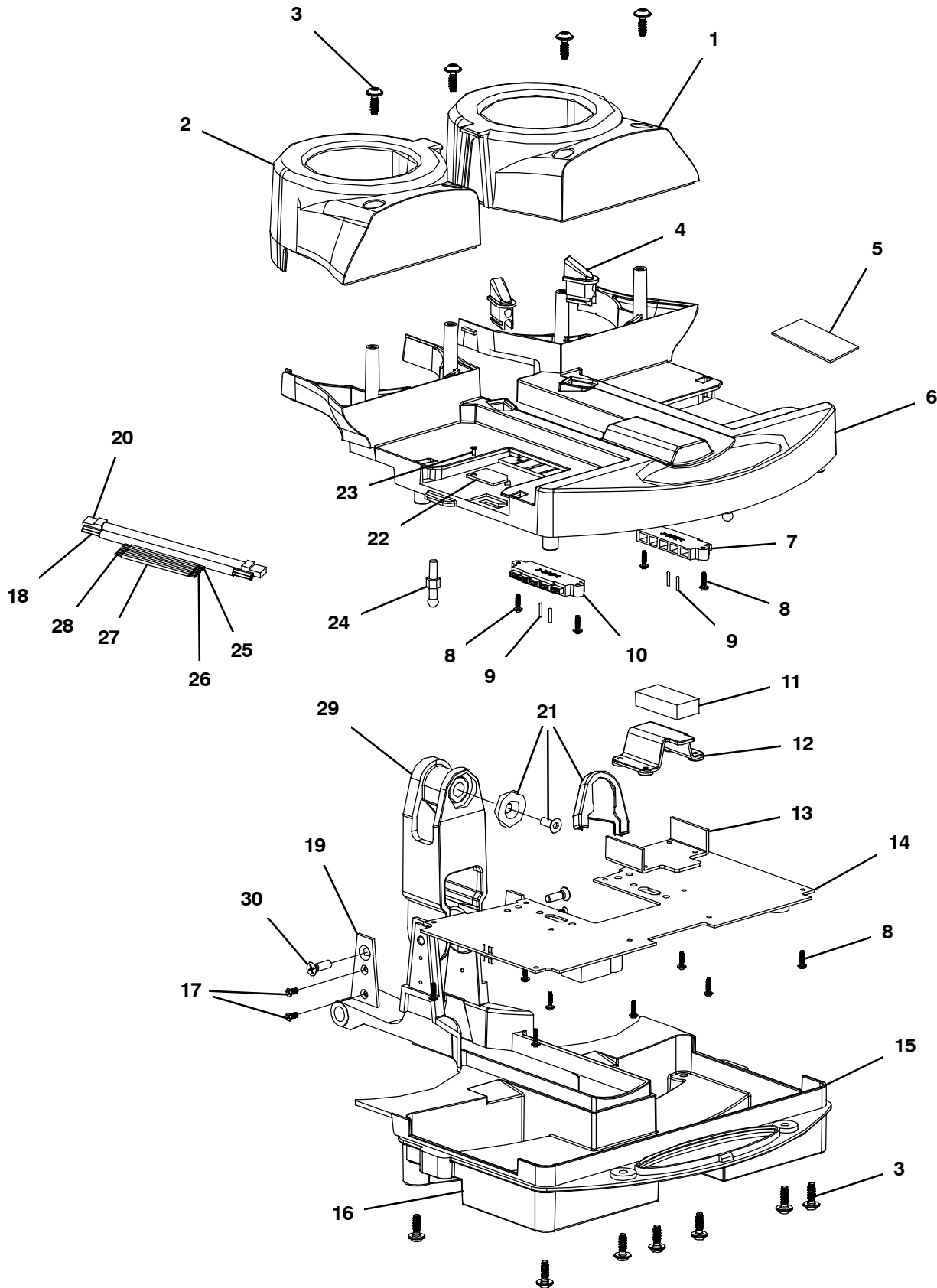
▽ ASSEMBLY

▲ INCLUDED IN ASSEMBLY

N/A = NOT AVAILABLE SEPARATELY - MUST ORDER ASSEMBLY (▽)

MAIN LEVER ASSEMBLY

355676



MAIN LEVER ASSEMBLY

Ref.	Part No.	Serial Number	Description	Qty.	
1	1237797	(300000-) Cover, Cooling, Motor, Rh [Xxl]	1	
2	1237796	(300000-) Cover, Cooling, Motor, Lh [Xxl]	1	
3	N/A	(300000-) Screw Wn 5451 50x14 Ejot Delta Pt	12	
4	N/A	(300000-) Pcb Machine Seal	2	
5	N/A	(300000-) Sticker Imop [Strong Magnets]	1	
6	1237754	(300000-) Cover, Main, White [Xxl]	1	
7	N/A	(300000-) Battery Connector Male Right Color: Gray	1	
8	N/A	(300000-) Screw Wn 5451 25x10 Ejot Delta Pt	16	
9	N/A	(300000-) Alignment Pin Longer Version	4	
10	N/A	(300000-) Battery Connector Male Left Color: Blue	1	
11	N/A	(300000-) Magnet Top Unit 40x20x10mm	1	
12	N/A	(300000-) Magnet Top Unit Holder Color: Gray	1	
13	N/A	(300000-) Steel Cover Isolation Magnet T=3mm	1	
14	1237751	(300000-) Circuitboard, Cntrl, Bat [Xxl]	1	
15	1234954	(300000-) Housing, Lever, Main [Imop]	1	
16	N/A	(300000-) Bottom Name Plate + Laser Print Tennant	1	
17	1234971	(300000-) Screw, Flt, Soc, M3 X 8 Ss NI [10x,Imop]	4	
18	N/A	(300000-) Power Cable 3 Wires [1.5mm 2 L=630mm]	1	
19	1234955	(300000-) Plate, Sppt, Lever (2pc) [Imop]	2	
20	1237768	(300000-) Cable, Utp, 100cm L [- Mop Xxl]	1	
21	1237828	(300000-) Hardware Kit, Disk, Screw, Cover [Imop]	1	
22	1237798	(300000-) Cover, Slot, Usb [Xxl]	1	
23	N/A	(300000-) Screw Counter Sunk M1.7x6	1	
24	1237795	(300000-) Pin, Retainer, Sque [Xxl]	2	
25	N/A	(300000-) Male Connector + Wires 14awg Red 150mm	2	
26	N/A	(300000-) Male Connector + Connector Wires 14awg Black 150mm	2	
27	N/A	(300000-) Wires For Brush Unit 14awg Black L=280mm	2	
28	N/A	(300000-) Wires For Brush Unit 14awg Red L=280mm	2	
▽	29	1237750	(300000-) Hinge Kit, [Xxl]	1
▲	30	1234976	(300000-) Screw, Flt, Soc, M5 X 16 NI [10x, Imop]	2

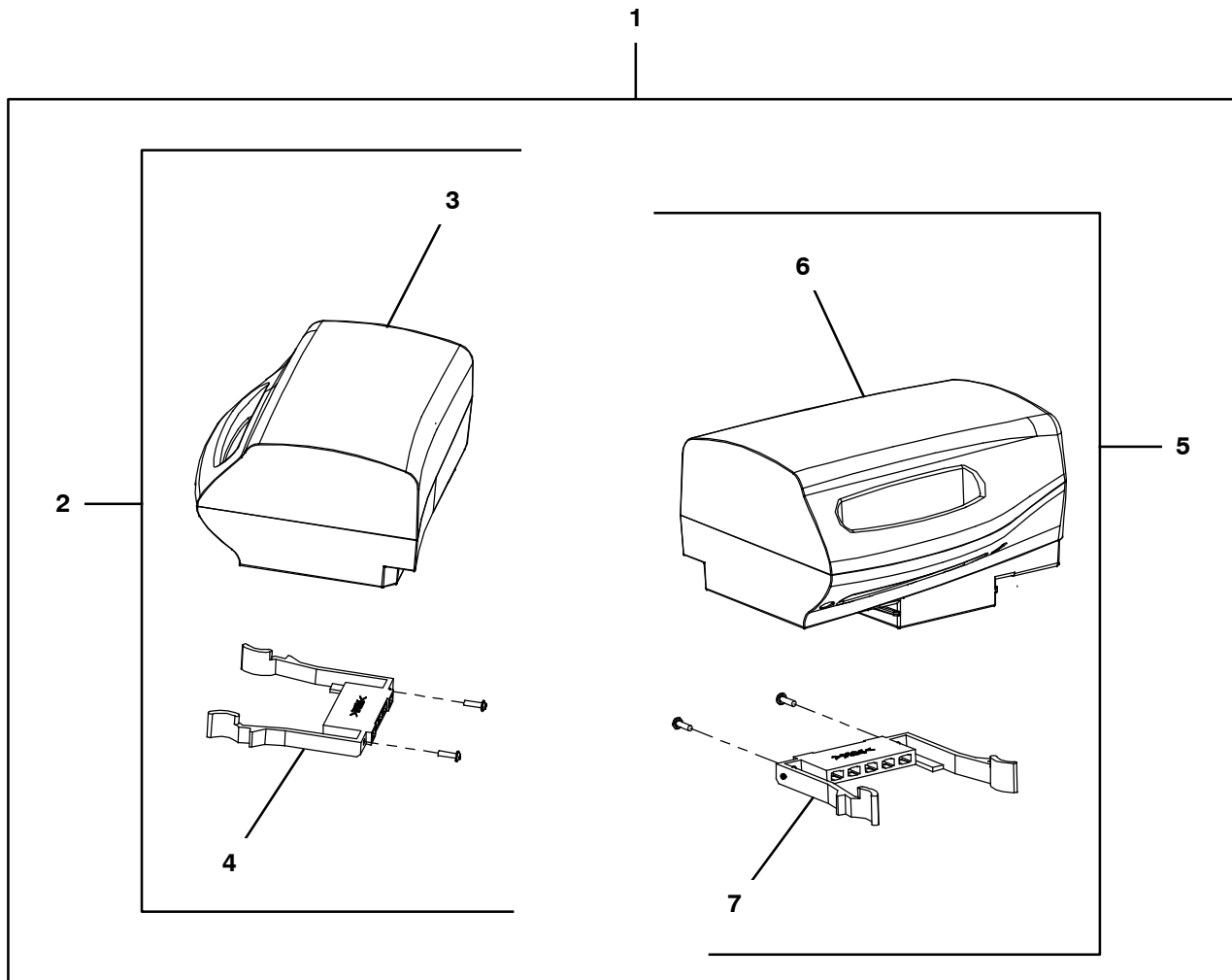
▽ ASSEMBLY

▲ INCLUDED IN ASSEMBLY

N/A = NOT AVAILABLE SEPARATELY - MUST ORDER ASSEMBLY (▽)

BATTERY PACK ASSEMBLY

355682



BATTERY PACK ASSEMBLY

	Ref.	Part No.	Serial Number	Description	Qty.
▽	1	9017896	(300000-) Battery Kit, [Xxl Imop Lh & Rh Pac]	1
▲▽	2	1237735	(300000-) Battery, Pack, Rh [Xxl]	1
▲▲	3	N/A	(300000-) Battery Pack Gray [Right]	1
▲▲	4	1232598	(300000-) Connector, Bat, Fem, Rh (Color: Gray)	1
▲▽	5	1237734	(300000-) Battery, Pack, Lh [Xxl]	1
▲▲	6	N/A	(300000-) Battery Pack Blue [Left]	1
▲▲	7	1232545	(300000-) Connector, Bat, Fem, Lh (Color: Blue)	1

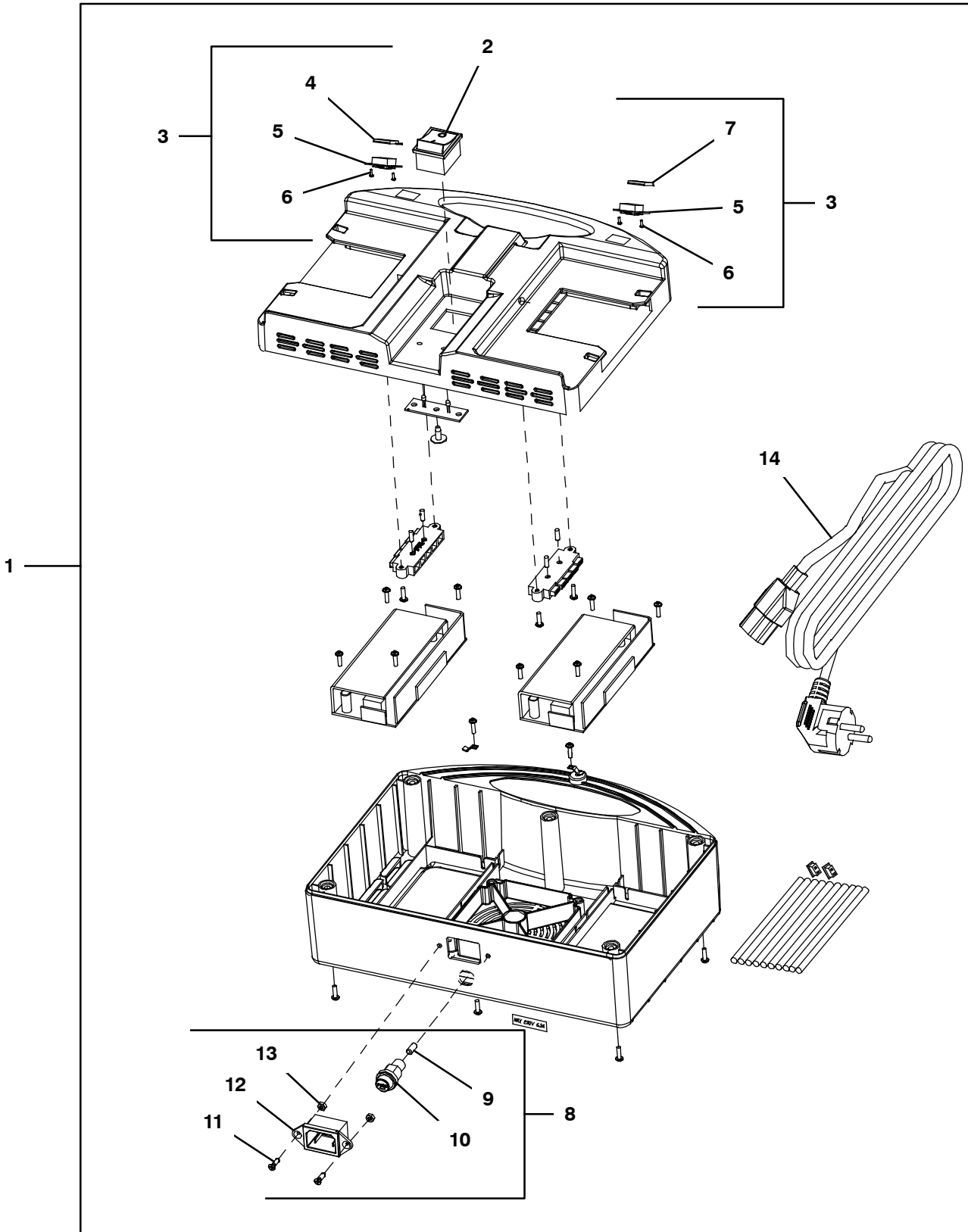
▽ ASSEMBLY

▲ INCLUDED IN ASSEMBLY

N/A = NOT AVAILABLE SEPARATELY - MUST ORDER ASSEMBLY (▽)

BATTERY CHARGER ASSEMBLY

355580



BATTERY CHARGER ASSEMBLY

	Ref.	Part No.	Serial Number	Description	Qty.
▽	1	1232547	(300000-) Charger, Bat (3pin)	1
▲	2	1232564	(300000-) Switch, Chrgr	1
▲▽	3	1232712	(300000-) Light, Voltage	1
▲▲	4	N/A	(300000-) Transparent Cover Voltage Display Right	1
▲▲	5	N/A	(300000-) Voltage Display With Percentage	2
▲▲	6	N/A	(300000-) Screw M2x5 Cross Head Self Tapping	4
▲▲	7	N/A	(300000-) Transparent Cover Voltage Display Left	1
▲▽	8	1232713	(300000-) Receptacle Kit, Chrgr	1
▲▲	9	N/A	(300000-) Fuse 6.3a	1
▲▲	10	N/A	(300000-) Fuse 6.3a Base	1
▲▲	11	N/A	(300000-) Countersunk Screw M3x15	2
▲▲	12	N/A	(300000-) Recept Inlet 3p + Two Screw Holes Cb 3pin	1
▲▲	13	N/A	(300000-) Nut M3 Nylon	2
▲	14	1232546	(300000-) Cord, Power (UI 3 Pin) (Standard)	1
	14	1233924	(300000-) Cord, Power [UI 3 Pin, 11 Meters Lg] (Optional)	1

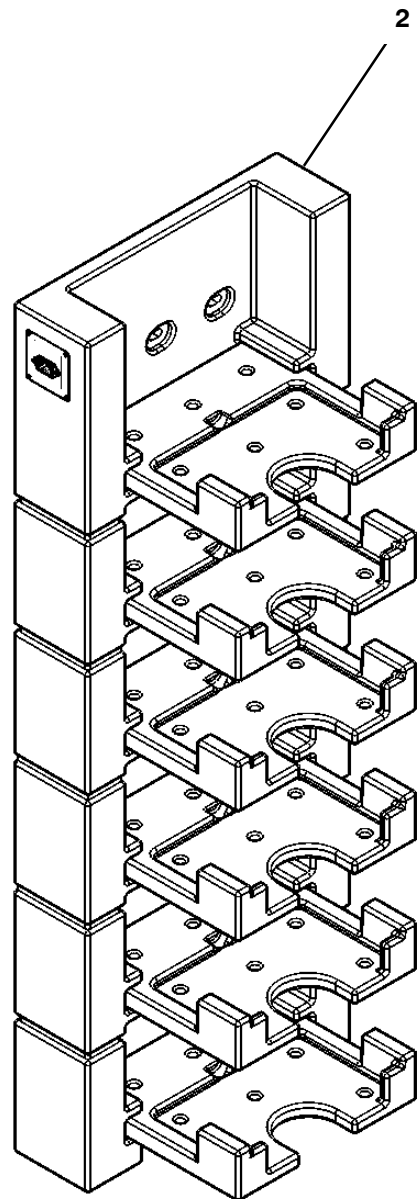
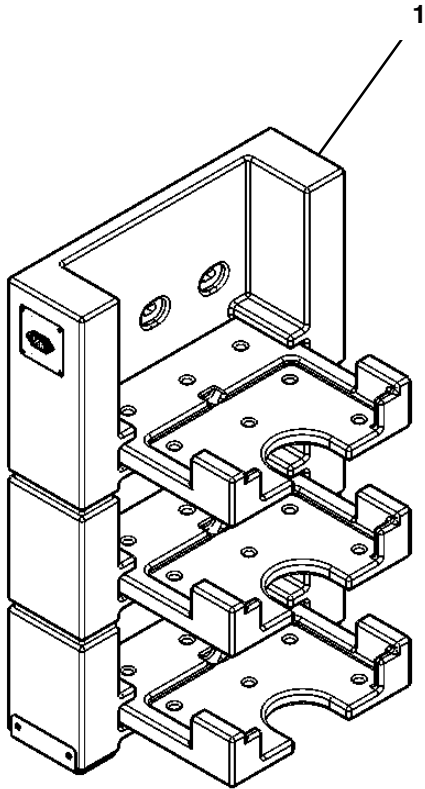
▽ ASSEMBLY

▲ INCLUDED IN ASSEMBLY

N/A = NOT AVAILABLE SEPARATELY - MUST ORDER ASSEMBLY (▽)

WALL CHARGERS (OPTION)

355683



WALL CHARGERS (OPTION)

Ref.	Part No.	Serial Number	Description	Qty.
1	1232094	(300000-) Charger, Wall [I- Mop 3 Layer]	1
2	1232058	(300000-) Charger, Wall [I- Mop 6 Layer]	1

ELECTRICAL DIAGRAM

