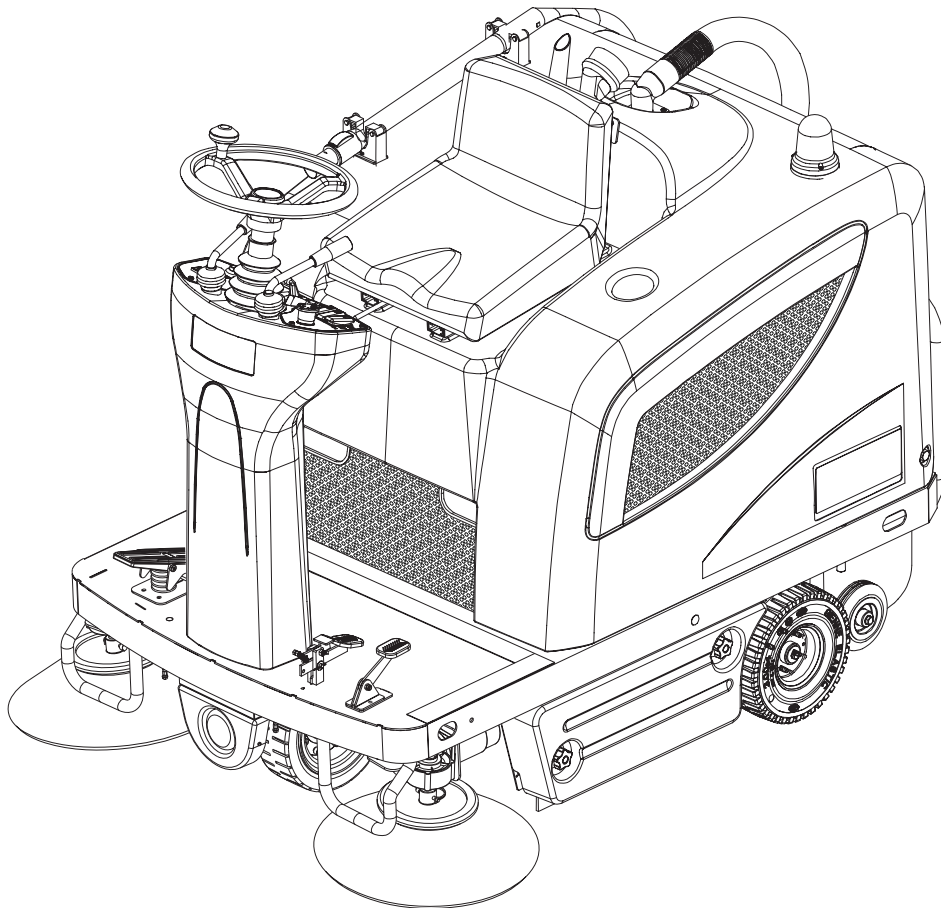


# Terra™ 4300 B

---



---

## PARTS LIST

**Model:** 9084317010 - 9084318010





**TABLE OF CONTENTS**

GENERAL VIEW .....	2
CHASSIS ASSEMBLY .....	4
BONNET SYSTEM.....	8
MAIN BROOM ASSEMBLY .....	10
RIGHT SIDE BROOM ASSY .....	12
LEFT SIDE BROOM ASSY .....	14
STEERING SYSTEM .....	16
FRONT WHEEL.....	18
PEDAL ASSEMBLIES .....	20
CONTROL PANELS SYSTEM .....	24
DRIVE SYSTEM.....	26
DUST CONTROL SYSTEM.....	28
WASTE CONTAINER ASSEMBLY .....	30
ELECTRICAL COMPONENTS.....	32
BATTERY CHARGER ASSEMBLY .....	36
ACCESSORIES.....	38
WIRING DIAGRAM .....	44
RECOMMENDED SPARE PARTS .....	46
ACCESSORIES - OPTIONALS.....	47

**WHEN ORDERING PARTS**

- Use the part numbers from the “REF. NO.” columns in this parts list. If the “REF. NO.” column is blank; look under the “KIT” column to identify which kit contains the part in question, then use the kit callout, for example “K1”, to find the “REF. NO.” for that kit.
- Specify the model and serial number of the machine.
- Use the space below to record the model and serial number for future reference.

Model

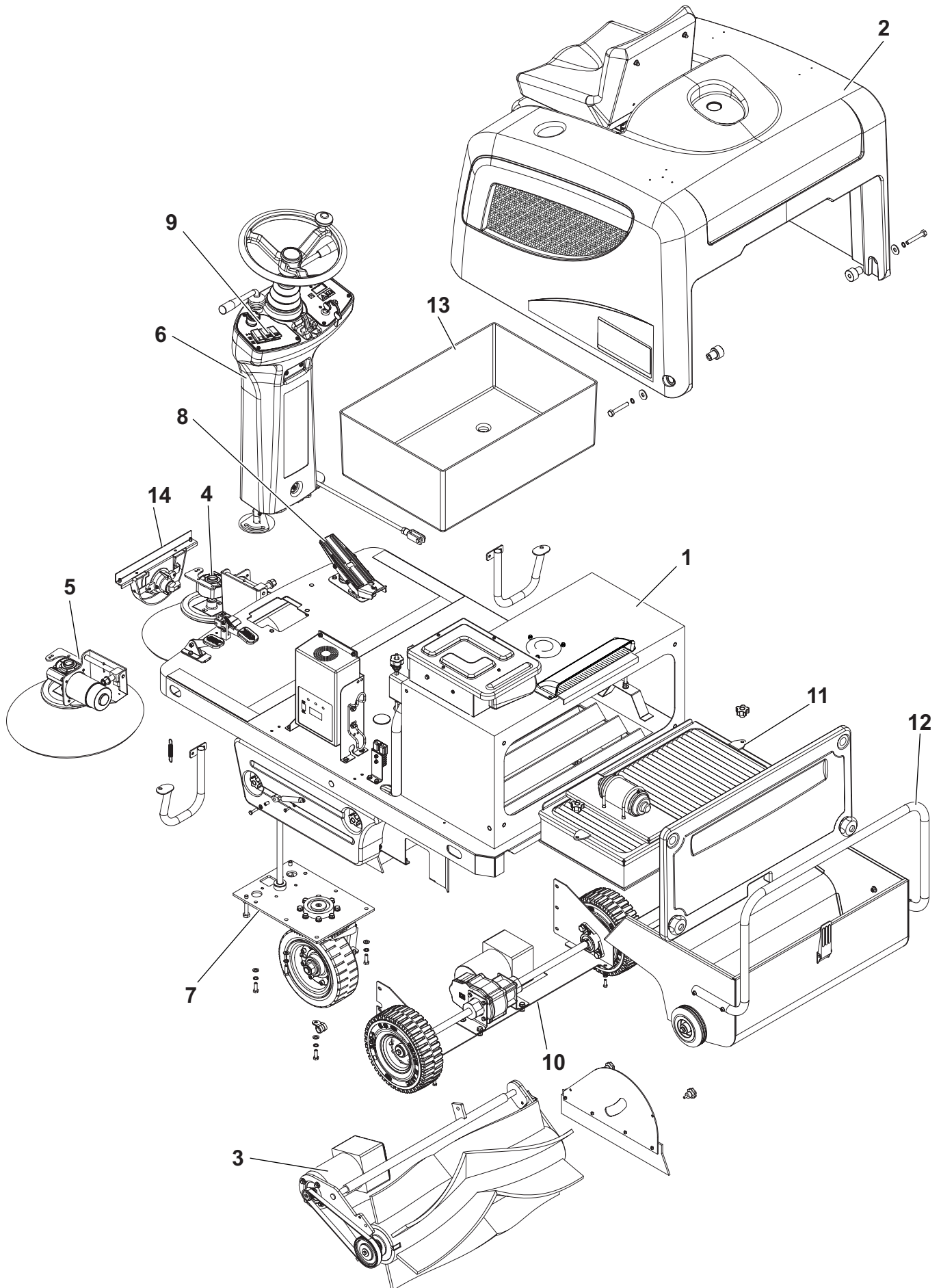
Serial No.

\* = Optional

# = Modified item No. or New item No.

[ ] = Not shown

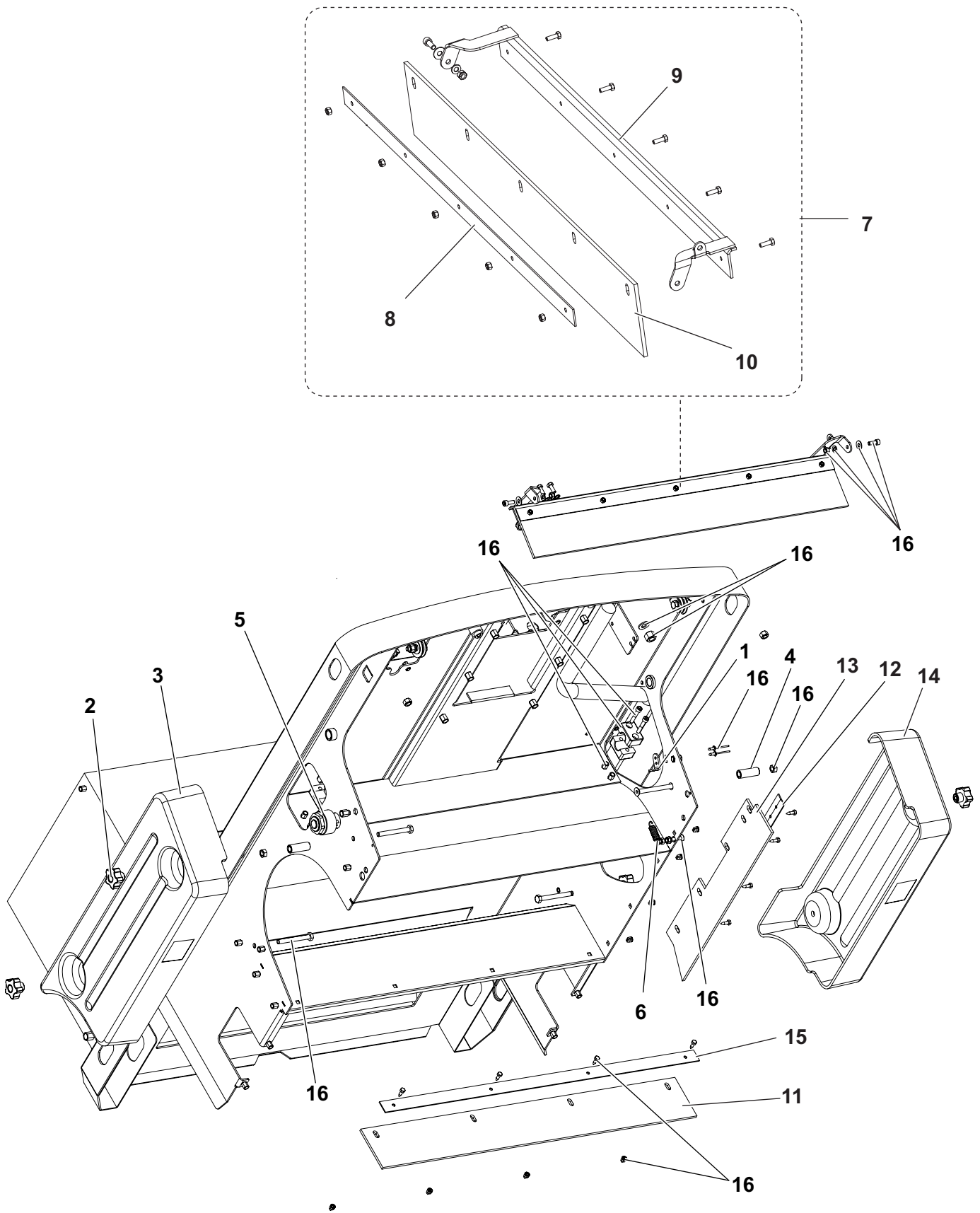
## GENERAL VIEW



**GENERAL VIEW**

KIT	ITEM	REF. NO.	QTY	DESCRIPTION
	1		1	CHASSIS ASSEMBLY
	2		1	BONNET SYSTEM
	3		1	MAIN BROOM ASSEMBLY
	4		1	RIGHT SIDE BROOM ASSY
	5		1	LEFT SIDE BROOM ASSY
	6		1	STEERING SYSTEM
	7		1	FRONT WHEEL ASSEMBLY
	8		1	PEDAL ASSEMBLIES
	9		1	CONTROL PANELS SYSTEM
	10		1	DRIVE SYSTEM
	11		1	FILTER ASSEMBLY
	12		1	WASTE CONTAINER ASSY
	13		1	ELECTRICAL COMPONENTS
	14		1	ACCESSORIES

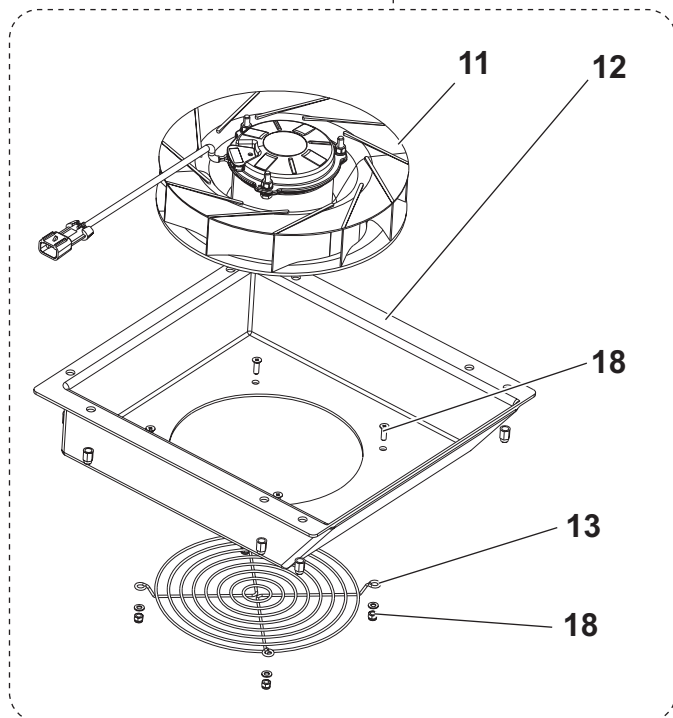
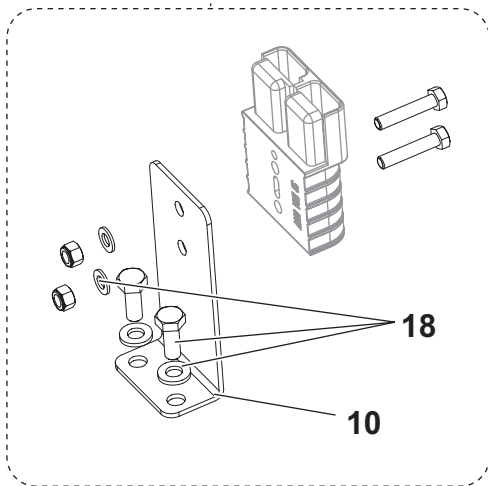
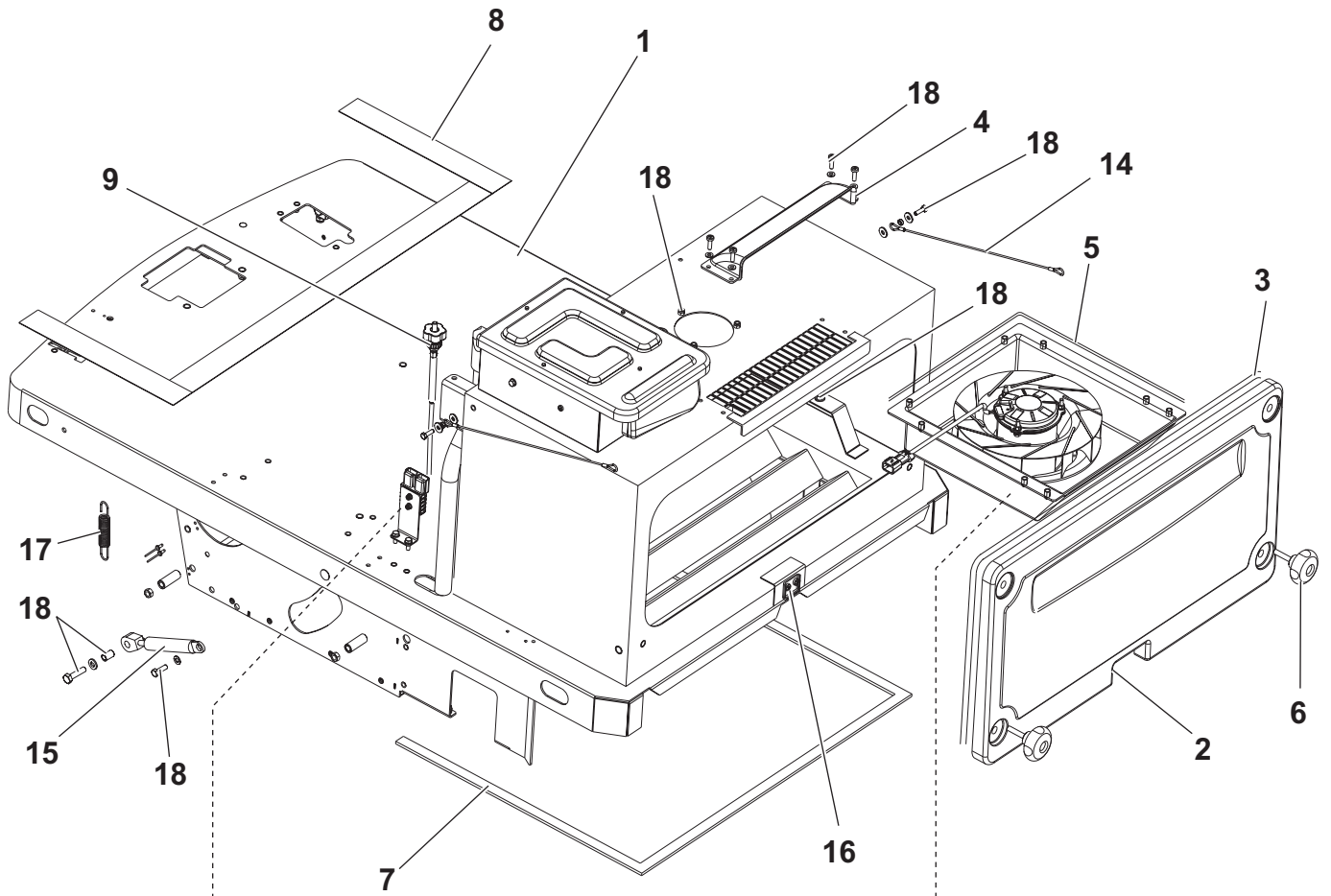
CHASSIS ASSEMBLY



**CHASSIS ASSEMBLY**

KIT	ITEM	REF. NO.	QTY	DESCRIPTION
	1	145 5126 000	1	BRACKET
	2	146 1851 000	4	KNOB M8
	3	146 2210 000	1	HATCH ROTOMOLDED RT SIDE GREY
	4	146 2426 000	4	SPACER 9X15X42.2
	5	146 2487 000	1	BUZZER 5-32V
	6	145 9579 000	1	SPRING
	7	1464098000	1	SKIRT RAISING DEVICE KIT
	8	145 1970 000	1	PLATE FRONT SKIRT 5110
	9	1464061000	1	SKIRT RAISING DEVICE
	10	1464062000	1	SKIRT FRONT
	11	145 1971 000	1	SKIRT REAR
	12	145 5929 000	1	PLATE SIDE SKIRT
	13	145 5927 000	1	SKIRT SIDE
	14	146 2209 000	1	HATCH ROTOMOLDED LT SIDE GREY
	15	145 1972 000	1	PLATE REAR SKIRT
	16	1464097000	1	HARDWARE FRAME LOWER KIT
	[17]*	146 2744 000	1	SKIRTS NON MARKING KIT

CHASSIS ASSEMBLY

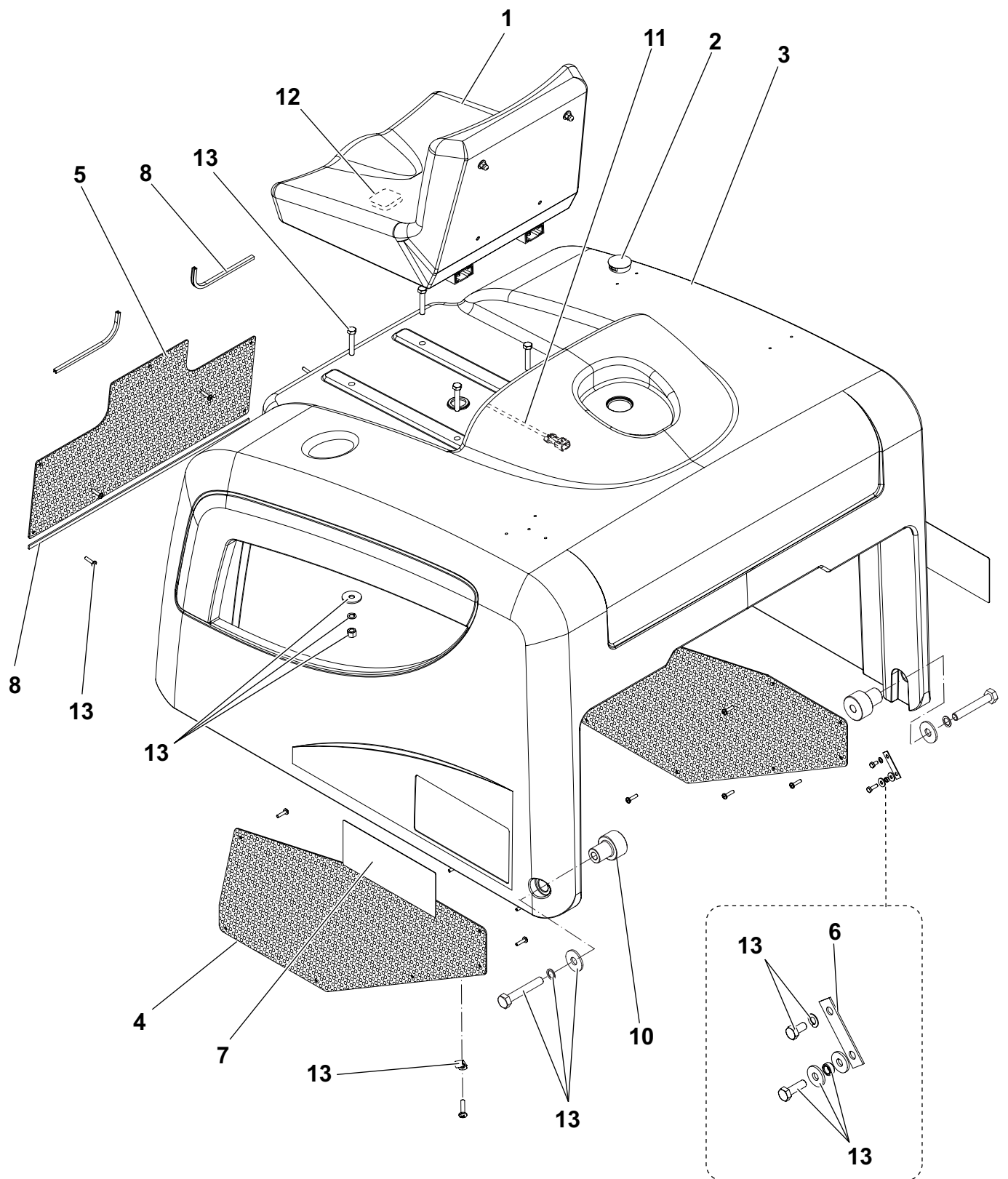




**CHASSIS ASSEMBLY**

KIT	ITEM	REF. NO.	QTY	DESCRIPTION
	1	1463946000	1	CHASSIS GREY
	2	146 2211 000	1	HATCH FILTER
	3#	146 0741 000	1	GASKET BULB RUBBER L.2030MM
	4	1463218000	1	CONVEYOR
	5	1463173000	4	GASKET CONVEYOR
	6	146 2427 000	2	KNOB M8X40
	7	1463977000	1	GASKETS HOPPER KIT
	8	146 2798 000	1	TAPE ADHESIVE ANTISLIP KIT
	9	1463959000	1	CABLE MAIN BROOM
	10	146 2384 000	1	BRACKET
	11	1463146000	1	FAN RADIAL 24V
	12	1463217000	1	CONVEYOR
	13	1463182000	1	GRATE PROTECTION
	14	L08812362	2	CABLE
	15	1463147000	1	SPRING GAS 30 KG
	16	145 9333 000	1	PLATE
	17	145 9184 000	2	SPRING
	18	1464099000	1	HARDWARE FRAME UPPER KIT

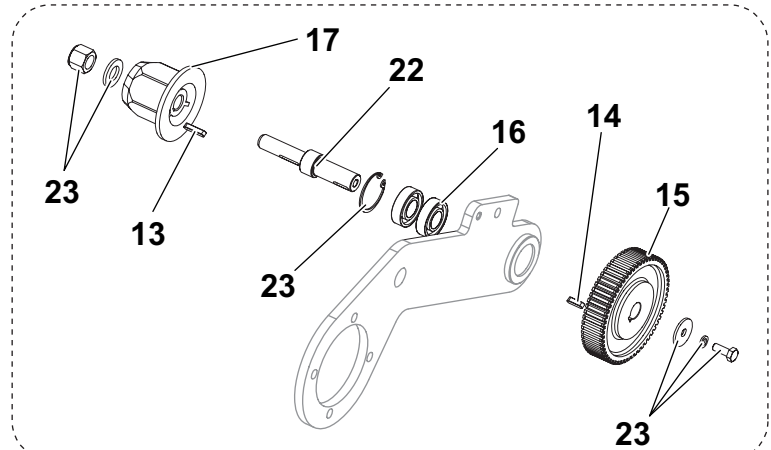
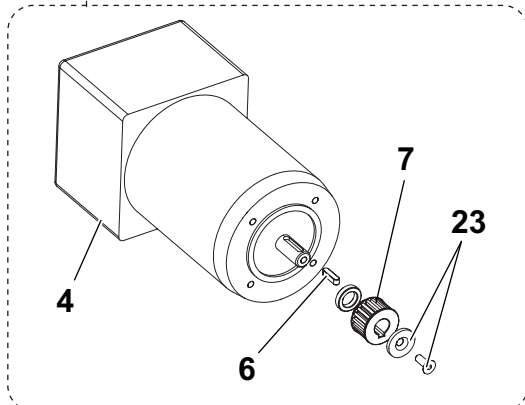
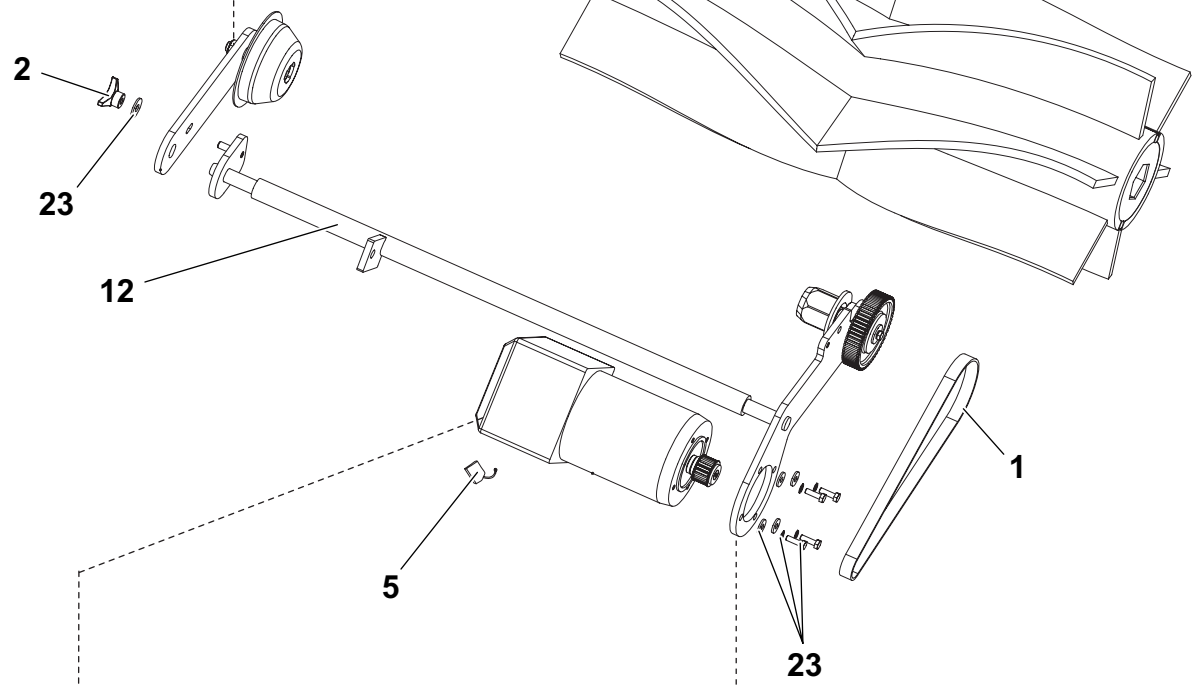
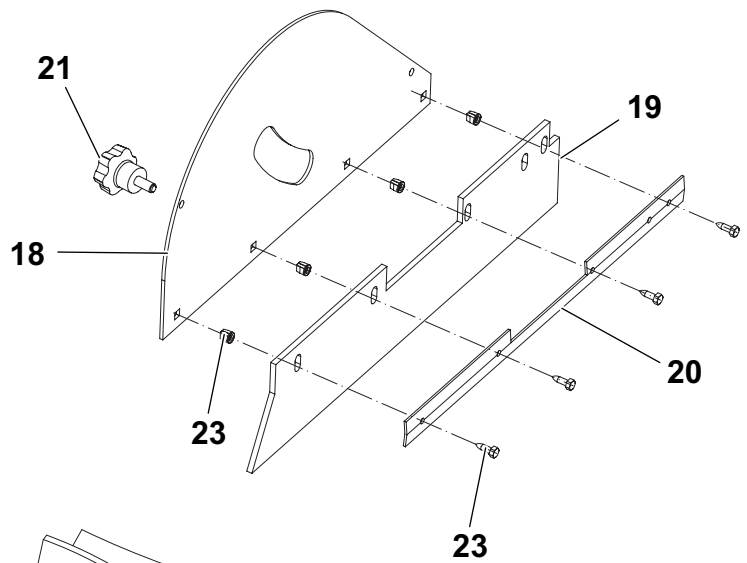
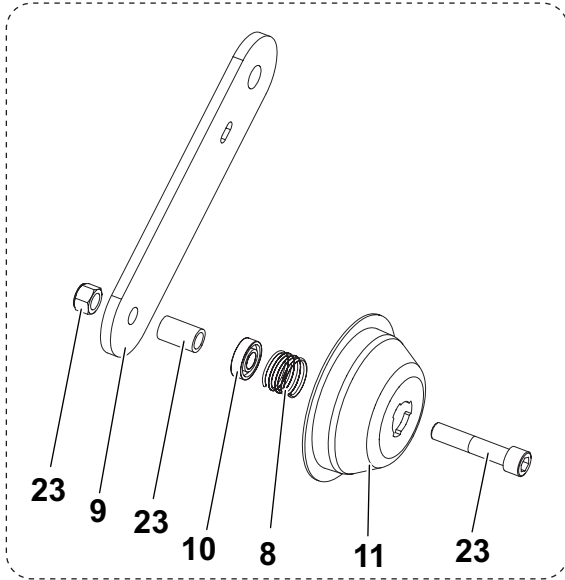
## BONNET SYSTEM



**BONNET SYSTEM**

KIT	ITEM	REF. NO.	QTY	DESCRIPTION
	1	145 1782 000	1	SEAT W/MICROSWITCH
	<b>1*</b>	<b>146 2900 000</b>	<b>1</b>	<b>SEAT WITH BELT</b>
	2#	1466138000	1	CAP BLACK PPL DE 42X11.5 PKD
	3	146 2208 000	1	BONNET.SEAT HOLDER
	4	146 2421 000	2	GRATE SIDE
	5	146 2422 000	1	GRATE FRONT
	6	146 2424 000	2	PLATE CABLE FIXING
	7	1464211000	1	DECALS TERRA 4300 BS KIT
	8	146 2801 000	1	GASKET RUBBER FOR BONNET KIT
	9	146 2803 000	1	GASKET RUBBER L.500MM
	10	146 2423 000	2	PIN
	11	146 2488 000	1	HARNESS BONNET
	12	146 0336 000	1	MICROSWITCH
	13#	1464290000	1	HARDWARE BONNET SYST KIT

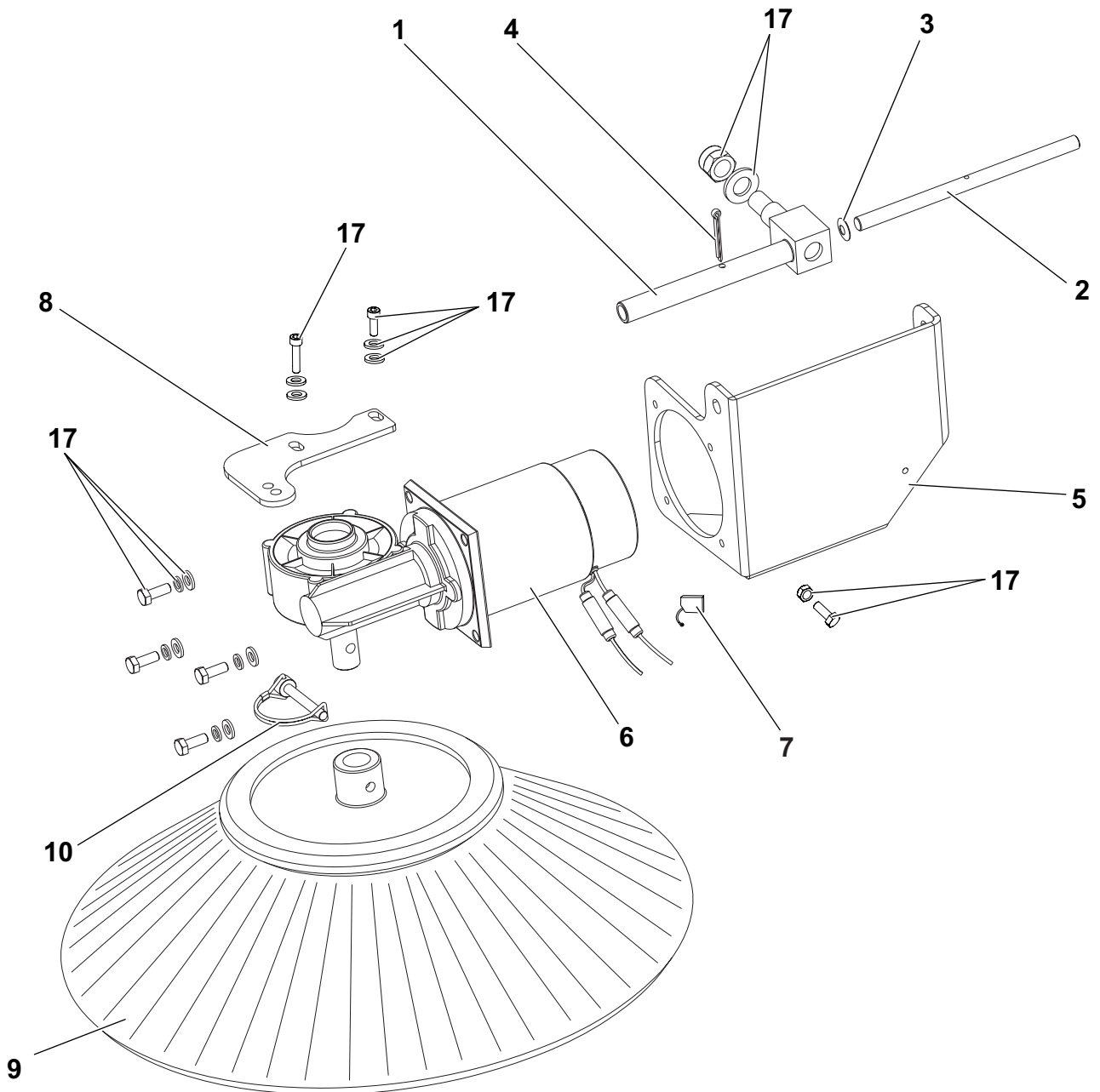
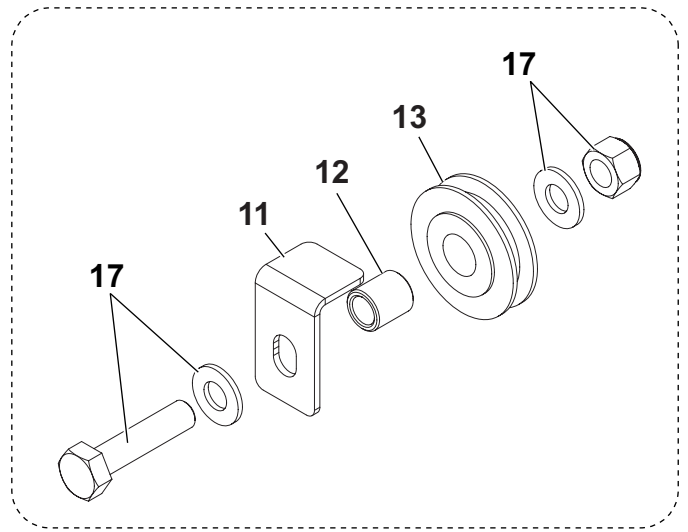
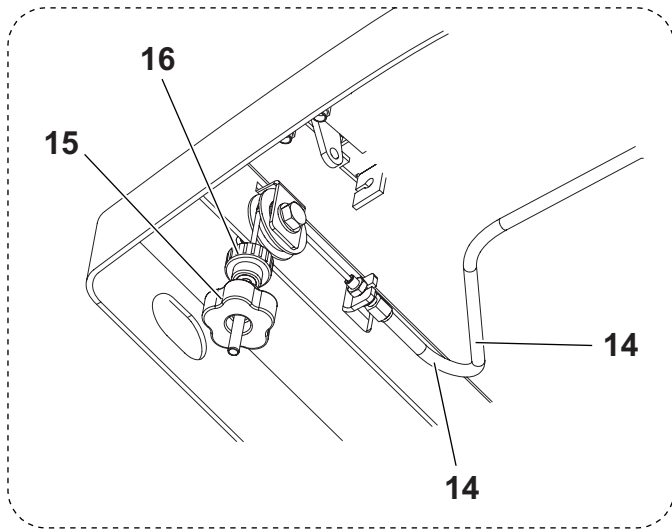
MAIN BROOM ASSEMBLY



**MAIN BROOM ASSEMBLY**

KIT	ITEM	REF. NO.	QTY	DESCRIPTION
	1	145 1851 000	1	BELT HTD 5M 15 710
	2	145 5035 000	1	KNOB M8
	3	145 4879 000	1	BROOM MAIN 300X700 CHEVR. 6R PPL 0.5-0.7
	<b>3*</b>	<b>145 4957 000</b>	<b>1</b>	<b>BROOM MAIN 300X700 CHEVRON 6R MIX STEEL</b>
	<b>3*</b>	<b>145 6080 000</b>	<b>1</b>	<b>BROOM MAIN 300X700 CHEVRON 6R NATURAL</b>
	4	146 2792 000	1	MOTOR BROOM MAIN KIT
	5	1464432000	1	CARBON BRUSHES KIT 4 PCS
	6#	1466147000	1	KEY 5X5X20 UNI6604A PKD
	7	145 1849 000	1	PULLEY HTD 20 5M 15 6F
	8	145 0271 000	1	SPRING
	9	145 1845 000	1	LEVER MAIN BROOM
	10	145 0270 000	1	BEARING BALL 6001 2RS
	11	145 0269 000	1	HUB LEFT MAIN BROOM
	12	146 2464 000	1	SHAFT MAIN BROOM
	13	145 8197 000	1	KEY 4X4X20 UNI6604A
	14	146 1489 000	1	KEY 4X4X15 UNI6604A
	15	145 1850 000	1	PULLEY HTD 60 5M 15 6W
	16	145 8196 000	2	BEARING BALL 6002 2RS
	17	1463877000	1	HUB MAIN BROOM
	18	145 1827 000	1	HATCH MAIN BROOM
	19	145 5927 000	1	SKIRT SIDE
	20	145 5929 000	1	PLATE SIDE SKIRT
	21#	1466153000	2	KNOB LOBED M6X15 PKD
	22	145 1791 000	1	PIN MAIN BROOM
	23#	1464291000	1	HARDWARE MAIN BROOM KIT
	<b>[24]*</b>	<b>1464101000</b>	<b>1</b>	<b>CARPET KIT</b>
		1464103000	1	INSTALLATION INSTRUCTION

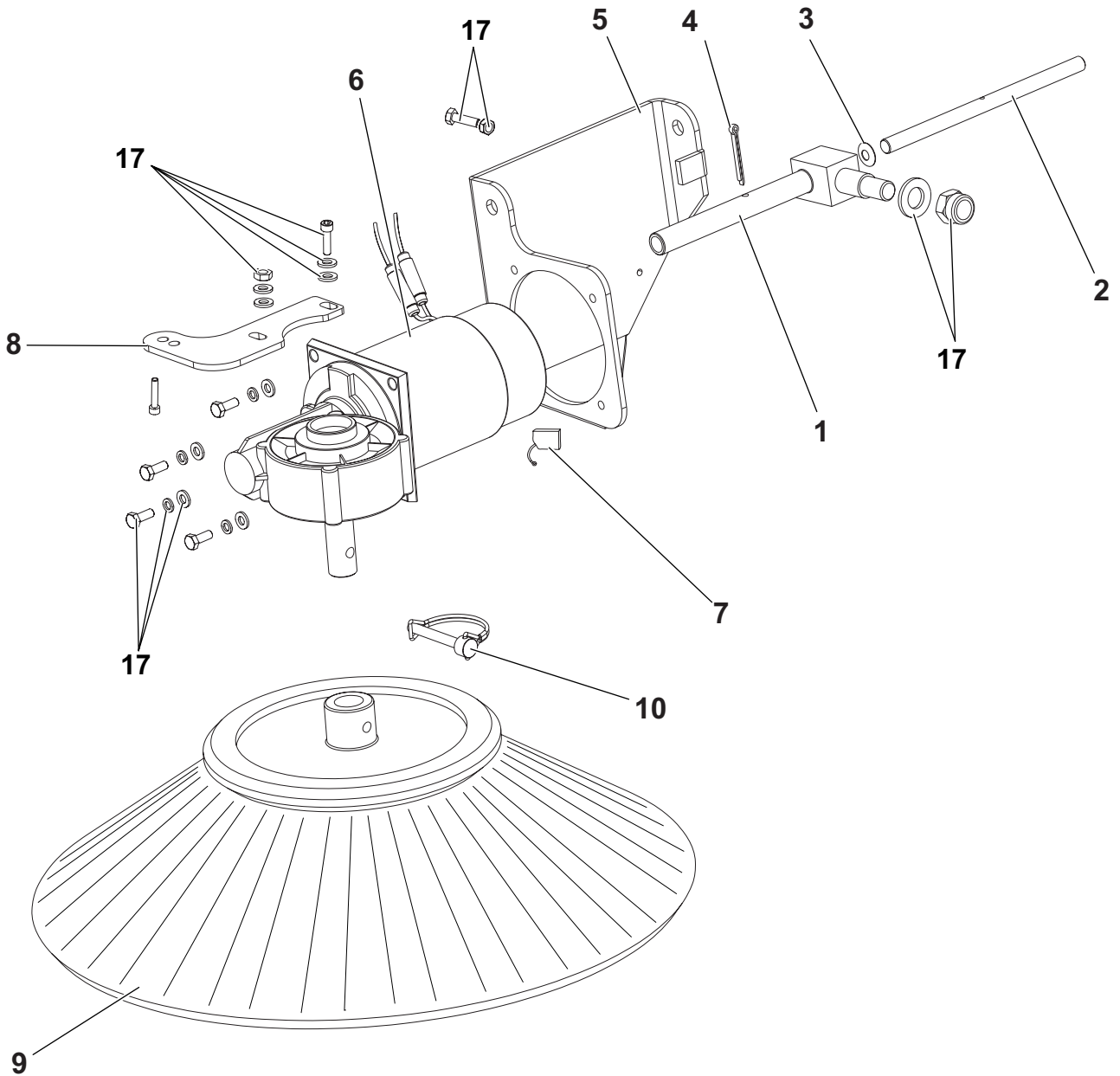
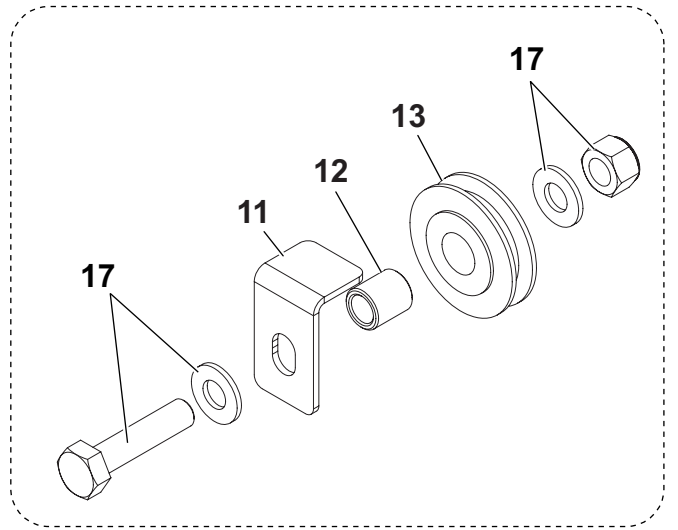
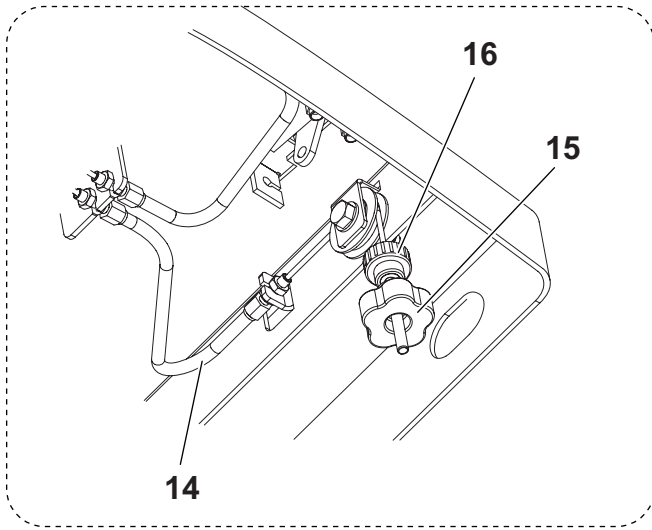
RIGHT SIDE BROOM ASSY



**RIGHT SIDE BROOM ASSY**

KIT	ITEM	REF. NO.	QTY	DESCRIPTION
	1	145 1792 000	1	PIN SIDE BROOM
	2	145 1951 000	1	PIN SIDE BROOM
	3	145 2644 000	1	BELLEVILLE WASHER 6.2X15X0.5 DIN2093
	4	145 9624 000	1	PIN SPLIT 3.2X20 UNI1336
	5	1463150000	1	SUPPORT RIGHT SIDE BROOM
	6	1463953000	1	REDUCTION GEARMOTOR 60W 24V DX
	7	145 5125 000	2	CARBON BRUSH
	8#	1464355000	1	BRACKET GEAR FIXING
	9	1463969000	1	BROOM SIDE 180X400 NATURAL
	<b>9*</b>	<b>1463952000</b>	<b>1</b>	<b>BROOM SIDE 180X400 MIX STEEL</b>
	10	1463960000	1	CLIP WITH PIN
	11	1463957000	1	BRACKET CABLE FIXING
	12	909 5312 000	1	SPACER 8.2X12X13.5
	13	145 2612 000	1	PULLEY
	14	146 2475 000	1	CABLE RIGHT SIDE BROOM
	15	146 2470 000	1	KNOB M6
	16	146 2471 000	1	HANDWHEEL
	17	1464100000	1	HARDWARE SIDE BROOM KIT

LEFT SIDE BROOM ASSY

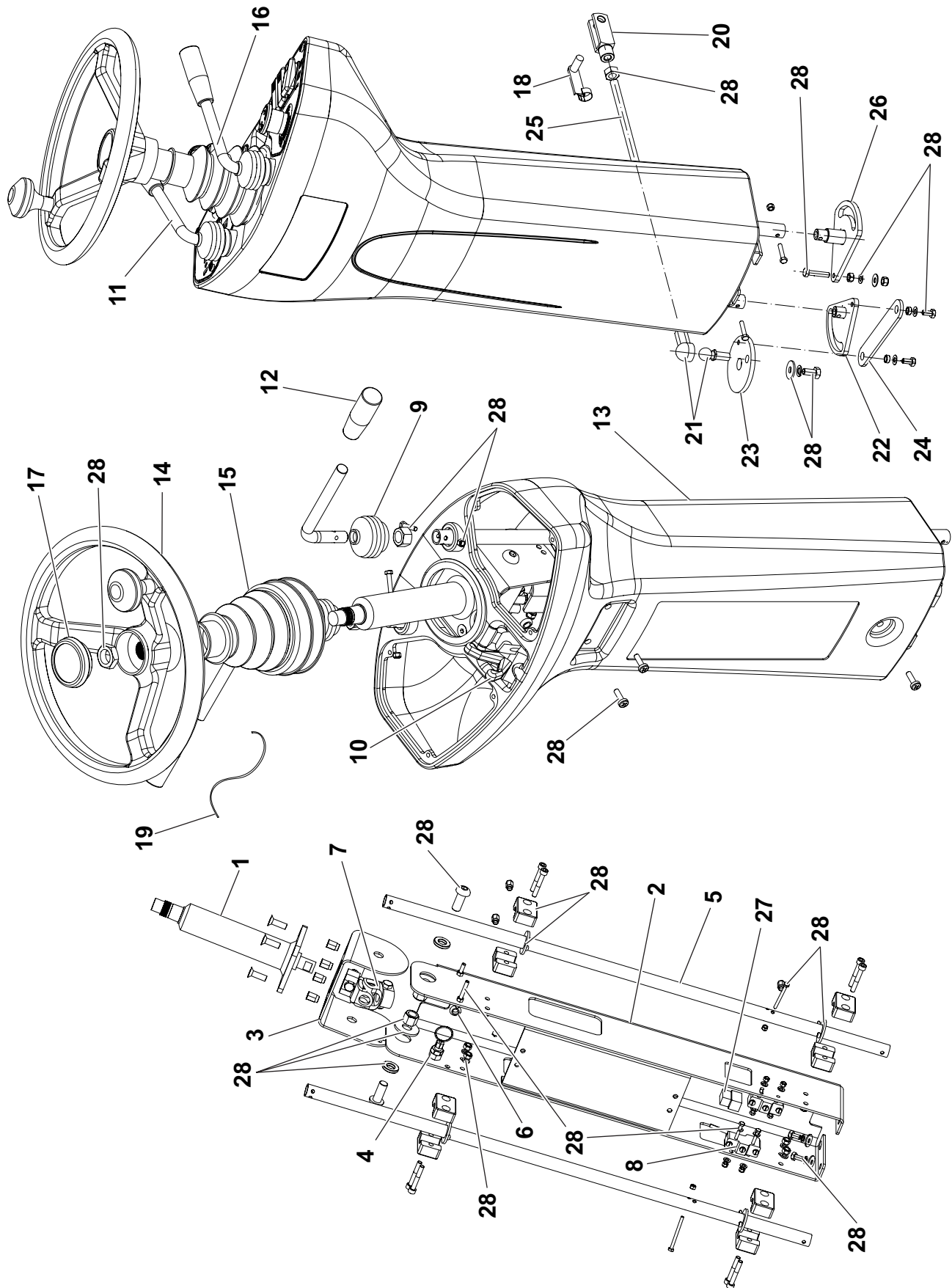




**LEFT SIDE BROOM ASSY**

KIT	ITEM	REF. NO.	QTY	DESCRIPTION
	1	145 1792 000	1	PIN SIDE BROOM
	2	145 1951 000	1	PIN SIDE BROOM
	3	145 2644 000	1	BELLEVILLE WASHER 6.2X15X0.5 DIN2093
	4	145 9624 000	1	PIN SPLIT 3.2X20 UNI1336
	5	1463152000	1	SUPPORT LEFT SIDE BROOM
	6	1463954000	1	REDUCTION GEARMOTOR 60W 24V SX
	7	145 5125 000	2	CARBON BRUSH
	8#	1464355000	1	BRACKET GEAR FIXING
	9	1463969000	1	BROOM SIDE 180X400 NATURAL
	<b>9*</b>	<b>1463952000</b>	<b>1</b>	<b>BROOM SIDE 180X400 MIX STEEL</b>
	10	1463960000	1	CLIP WITH PIN
	11	1463957000	1	BRACKET CABLE FIXING
	12	909 5312 000	1	SPACER 8.2X12X13.5
	13	145 2612 000	1	PULLEY
	14	146 2520 000	1	CABLE LEFT SIDE BROOM
	15	146 2470 000	1	KNOB M6
	16	146 2471 000	1	HANDWHEEL
	17	1464100000	1	HARDWARE SIDE BROOM KIT

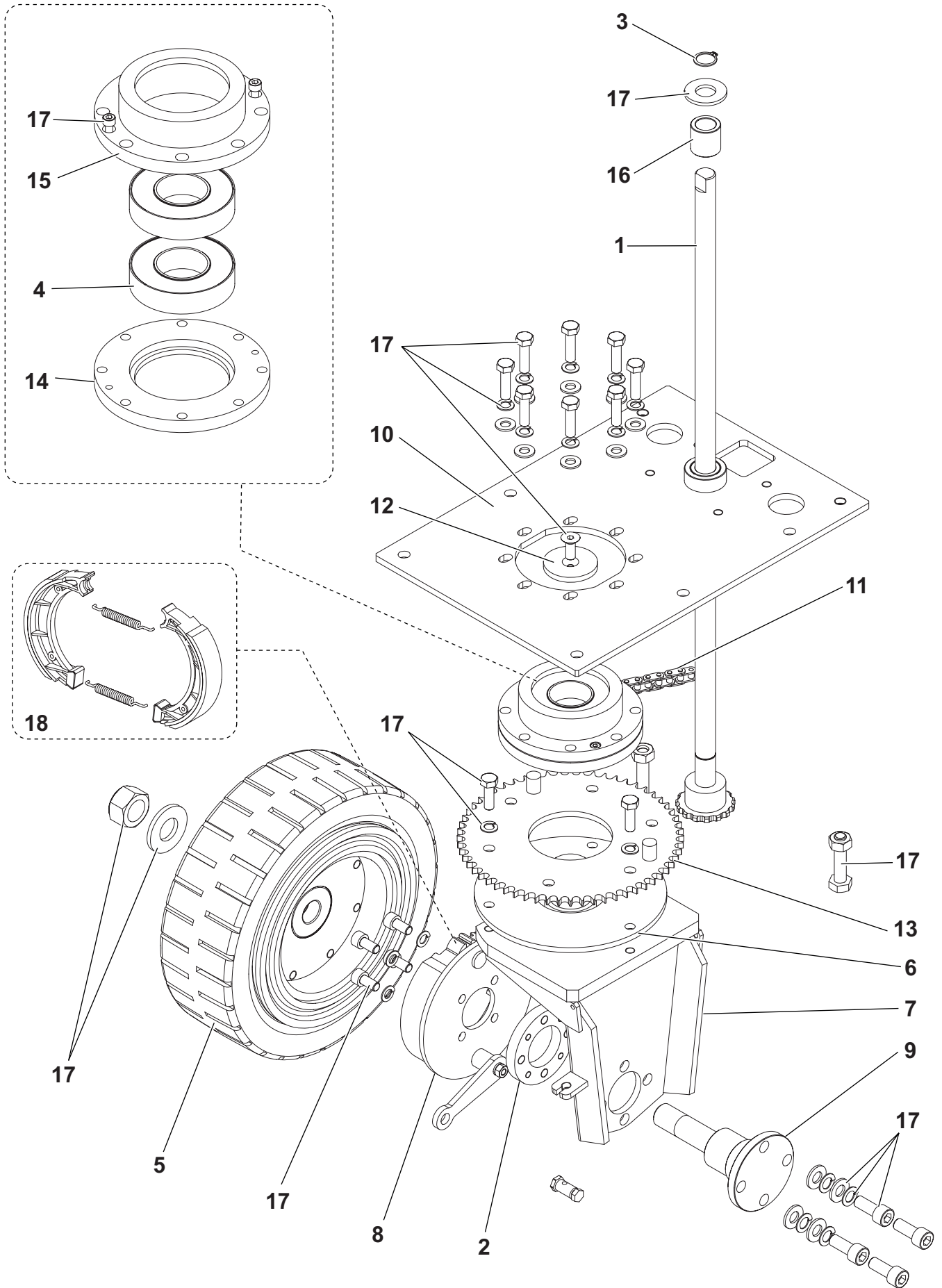
STEERING SYSTEM



**STEERING SYSTEM**

KIT	ITEM	REF. NO.	QTY	DESCRIPTION
	1	145 1946 000	1	COLUMN STEERING
	2#	1465515000	1	COLUMN STEERING KIT
	3#	1465516000	1	SUPPORT STEERING COLUMN KIT
	4#	1466330000	1	PLUNGER M10 W/CABLE KIT
	5	146 2452 000	2	SUPPORT
	6	146 2450 000	2	TIE-ROD EYE D.8 M5X52MM
	7	145 9619 000	1	JOINT UNIVERSAL D.17
	8	145 9679 000	2	MICROSWITCH 10A 250V
	9	146 2456 000	2	BELLOWS RUBBER
	10	146 2458 000	1	LEVER
	11	1463804000	1	LEVER RIGHT SIDE
	12	146 2453 000	2	HANDLE LEVER
	13	146 2212 000	1	COVER.FRONT
	14#	146 2106 000	1	WHEEL. STEERING D.320
	15	146 2457 000	1	BELLOW RUBBER
	16	1463803000	1	LEVER LEFT SIDE
	17	145 8753 000	1	CAP
	18	145 4540 000	1	CIRCLIP M10
	19	146 2451 000	1	FORK M10
	20	145 9666 000	1	BALL JOINT M10
	21	145 9769 000	2	LEVER MAIN BROOM
	22	146 2466 000	1	PLATE MAIN BROOM
	23	146 2505 000	1	LEVER MAIN BROOM
	24	146 2467 000	1	ROD THREADED M10X410 DIN975
	25	146 2468 000	1	LEVER SIDE BROOM
	26	1463963000	1	RELAY 24V
	27	146 1646 000	1	HARDWARE STEERING KIT
	28#	1464292000	1	STEERING SYSTEM HARDWARE KIT

FRONT WHEEL

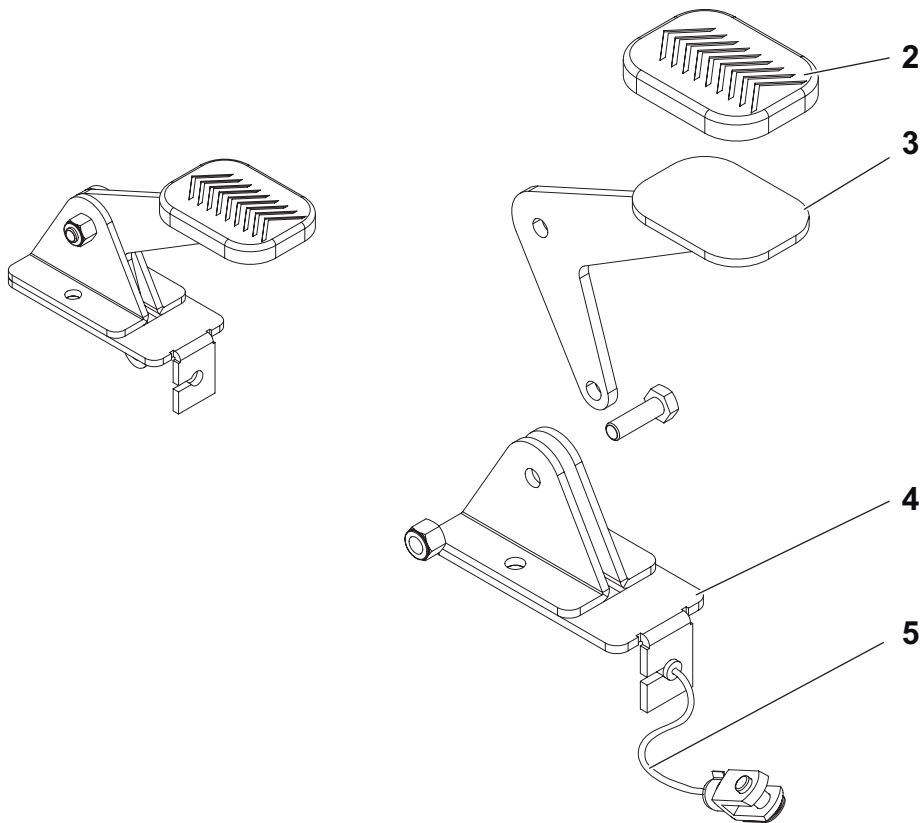


**FRONT WHEEL**

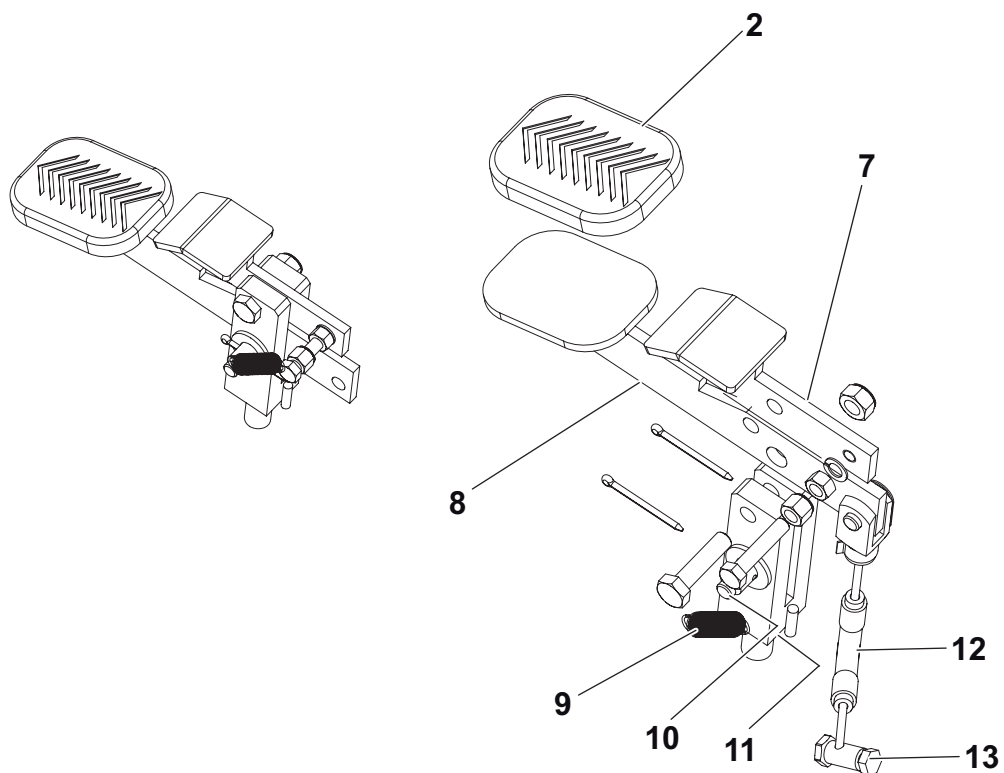
KIT	ITEM	REF. NO.	QTY	DESCRIPTION
	1	146 0960 000	1	SHAFT STEERING
	2	145 1747 000	1	FLANGE BRAKE FRONT WHEEL
	3	33006056	1	RING D 17 UNI7435
	4	145 2357 000	2	BEARING BALL 6207 2RS
	5	146 2442 000	1	WHEEL FRONT
	<b>5*</b>	<b>146 2745 000</b>	<b>1</b>	<b>WHEEL FRONT NON MARKING</b>
	6	146 2438 000	1	SPACER
	7	146 2437 000	1	SUPPORT FRONT WHEEL
	8	146 2441 000	1	BLOCK FOR BRAKE
	9	146 2440 000	1	PIN FRONT WHEEL
	10	146 2439 000	1	PLATE SUPPORT STEERING
	11	146 2443 000	1	CHAIN 3/8-73 PITCHES
	12	145 2585 000	1	WASHER
	13	145 2714 000	1	CROWN
	14	145 2587 000	1	FLANGE
	15	145 2586 000	1	FLANGE
	16	145 9505 000	1	BUSHING BBB 17X25X25
	17#	1464293000	1	HARDWARE FRONT WHEEL KIT
	18#	1464592000	1	SHOES BRAKE KIT

## PEDAL ASSEMBLIES

1



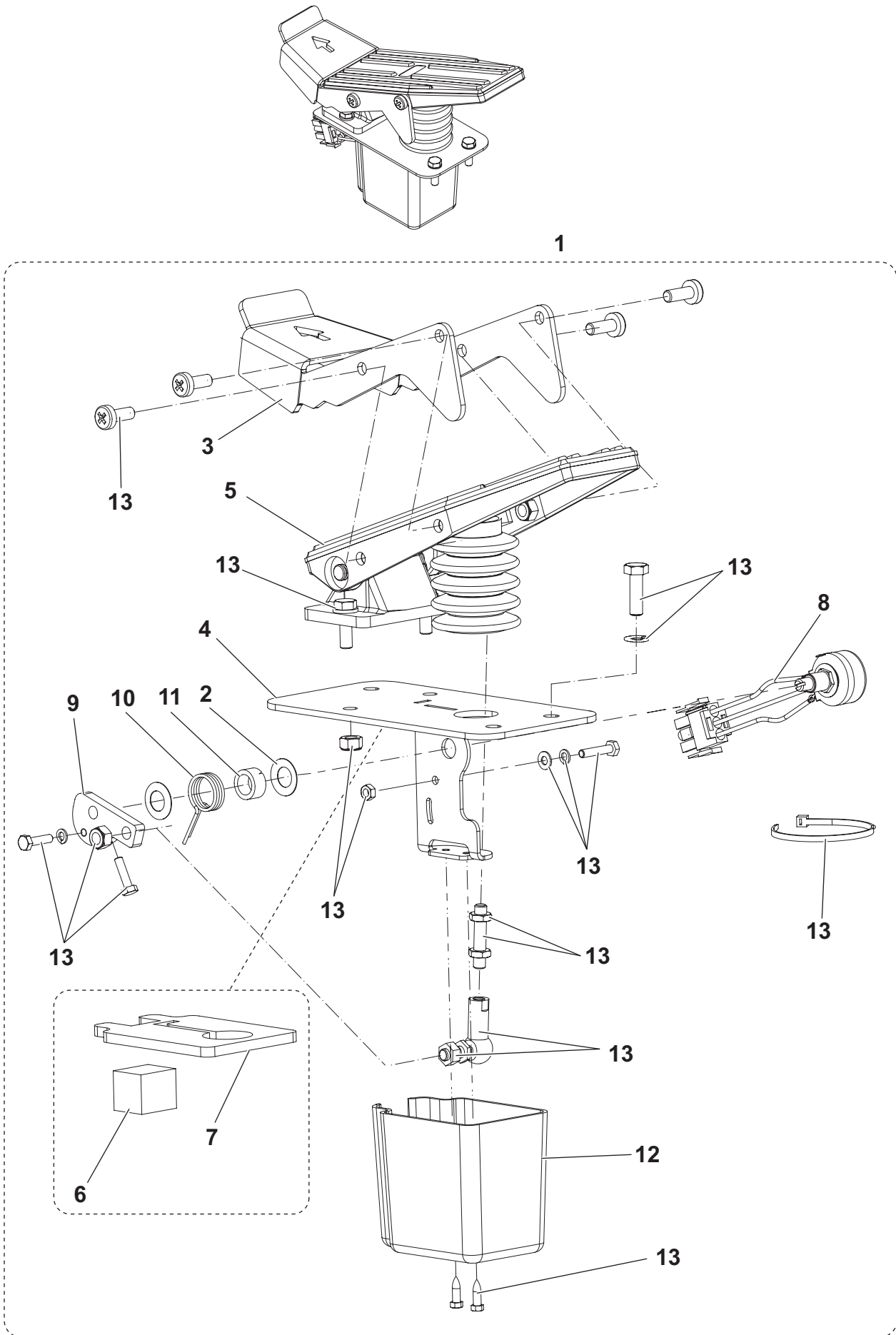
6



**PEDAL ASSEMBLIES**

KIT	ITEM	REF. NO.	QTY	DESCRIPTION
	1	146 2852 000	1	PEDAL SKIRT RAIS.DEVICE KIT
	2	145 8478 000	2	COVER PEDAL
	3	145 1841 000	1	PEDAL SKIRT RAIS.DEVICE
	4	145 1839 000	1	SUPPORT PEDAL SKIRT RAISING D
	5	146 2477 000	1	CABLE SKIRT RAIS.DEVICE
	6	146 2853 000	1	PEDAL BRAKE KIT
	7	145 3490 000	1	PEDAL BRAKE
	8	145 3472 000	1	PEDAL
	9	145 9290 000	1	SPRING
	10	145 2541 000	1	PIN PEDAL
	11	145 2540 000	1	SUPPORT PEDAL
	12	146 2463 000	1	CABLE BRAKE
	13	146 2444 000	1	CLAMP CABLE

PEDAL ASSEMBLIES

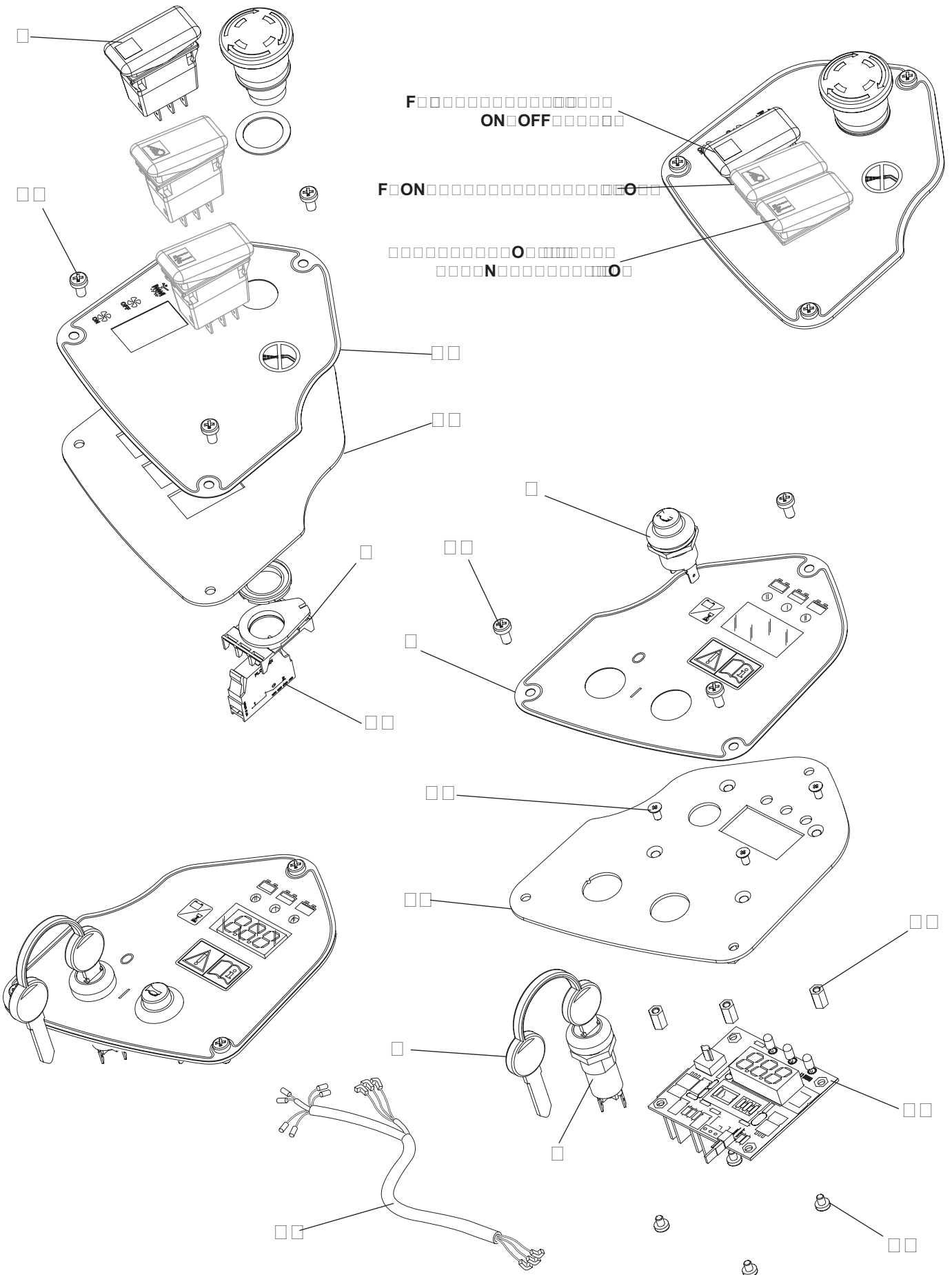




**PEDAL ASSEMBLIES**

KIT	ITEM	REF. NO.	QTY	DESCRIPTION
	1	146 2952 000	1	PEDAL SPEED CONTROL KIT
	2	145 1147 000	2	WASHER 10.2X18.8X0.35 10.2X18.8X0.35
	3	146 2929 000	1	BRACKET.SPEED CONTR.PEDAL
	4	146 2930 000	1	SUPPORT.SPEED CONTR.PEDAL
	5	146 2910 000	1	PEDAL SPEED CONTROL
	6	146 2062 000	1	GASKET ADHESIVE 20X20 L. 24MM
	7	146 2315 000	1	GASKET. PEDAL
	8	146 2480 000	1	HARNESS DRIVE PEDAL
	9	146 2882 000	1	LEVER POTENTIOMETER
	10	146 2883 000	1	PEDAL SPRING
	11	146 2884 000	1	SPACER 10.3X15X7.5
	12	145 4086 000	1	COVER PEDAL RUBBER
	13	909 6834 000	1	HARDWARE.PEDAL FIXING KIT

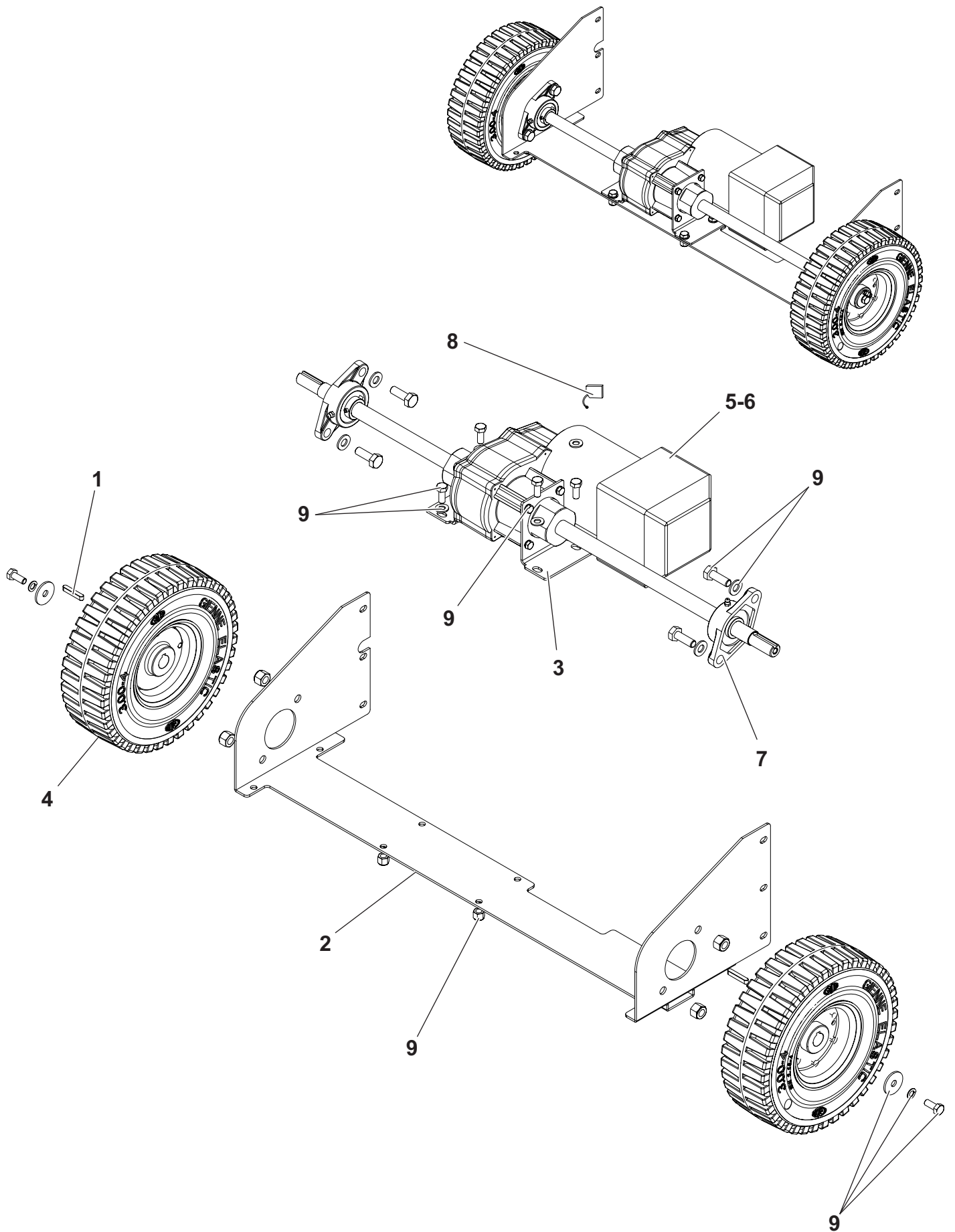
CONTROL PANELS SYSTEM



**CONTROL PANELS SYSTEM**

KIT	ITEM	REF. NO.	QTY	DESCRIPTION
	1	146 1727 000	1	SWITCH EMERGENCY
	2	146 1728 000	1	CONTACT. NC.
	3	146 2532 000	1	SWITCH
	4	1463989000	1	DECAL CONTROL PANEL RT
	5	145 9678 000	1	SWITCH HORN
	6	146 2460 000	1	CONTROL PANEL LEFT
	7	1463987000	1	DECAL CONTROL PANEL LT
	8	146 2887 000	1	KEY 2 PCS
	9	146 2888 000	1	SWITCH KEY WITH CAP
	10#	1466161000	1	CONTROLLER MAIN MACHINE KIT
	#	1465914000	1	INSTALLATION INSTRUCTIONS
	11	146 2459 000	1	CONTROL PANEL RIGHT
	12	146 2489 000	1	HARNESS CONTROL PANEL
	13#	1464294000	1	HARDWARE CONTROL PAN.KIT

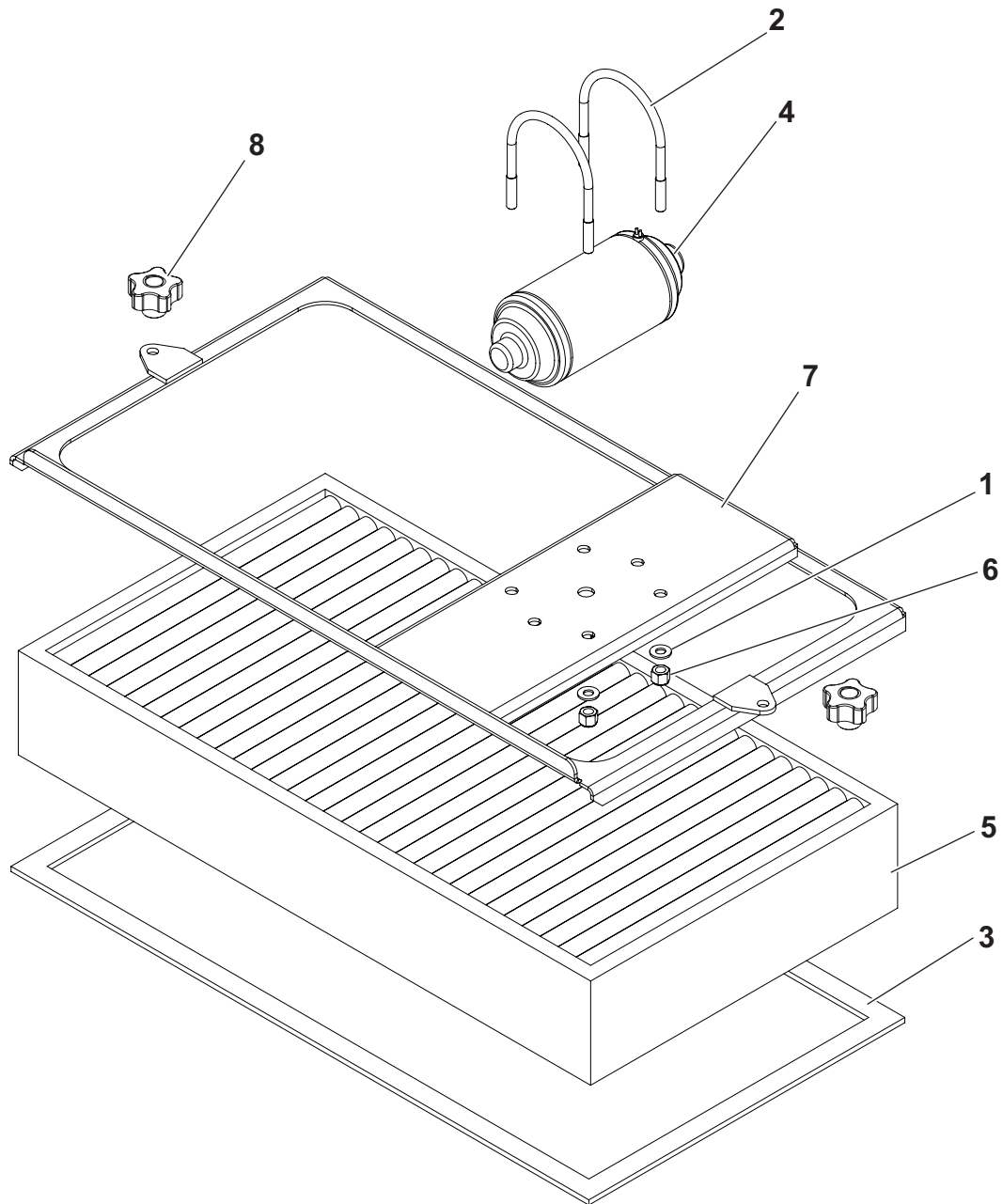
## DRIVE SYSTEM



**DRIVE SYSTEM**

KIT	ITEM	REF. NO.	QTY	DESCRIPTION
	1	145 9776 000	2	KEY 6X6X35 UNI6604A
	2	1463951000	1	BRIDGE REAR WHEELS
	3	146 2435 000	2	SUPPORT DRIVE MOTOR
	4	146 2433 000	2	WHEEL REAR
	<b>4*</b>	<b>146 2746 000</b>	<b>1</b>	<b>WHEEL REAR NON MARKING</b>
	5	1463228000	1	REDUCTION GEARMOTOR KIT
	6	1463232000	1	REDUCTION GEARMOTOR KIT W/HARNESS PETRO
	7	146 2436 000	2	BEARING BALL UCFL 204
	8	L08603949	1	CARBON BRUSHES KIT 4 PCS
	9#	1464295000	1	HARDWARE DRIVE SYST.KIT

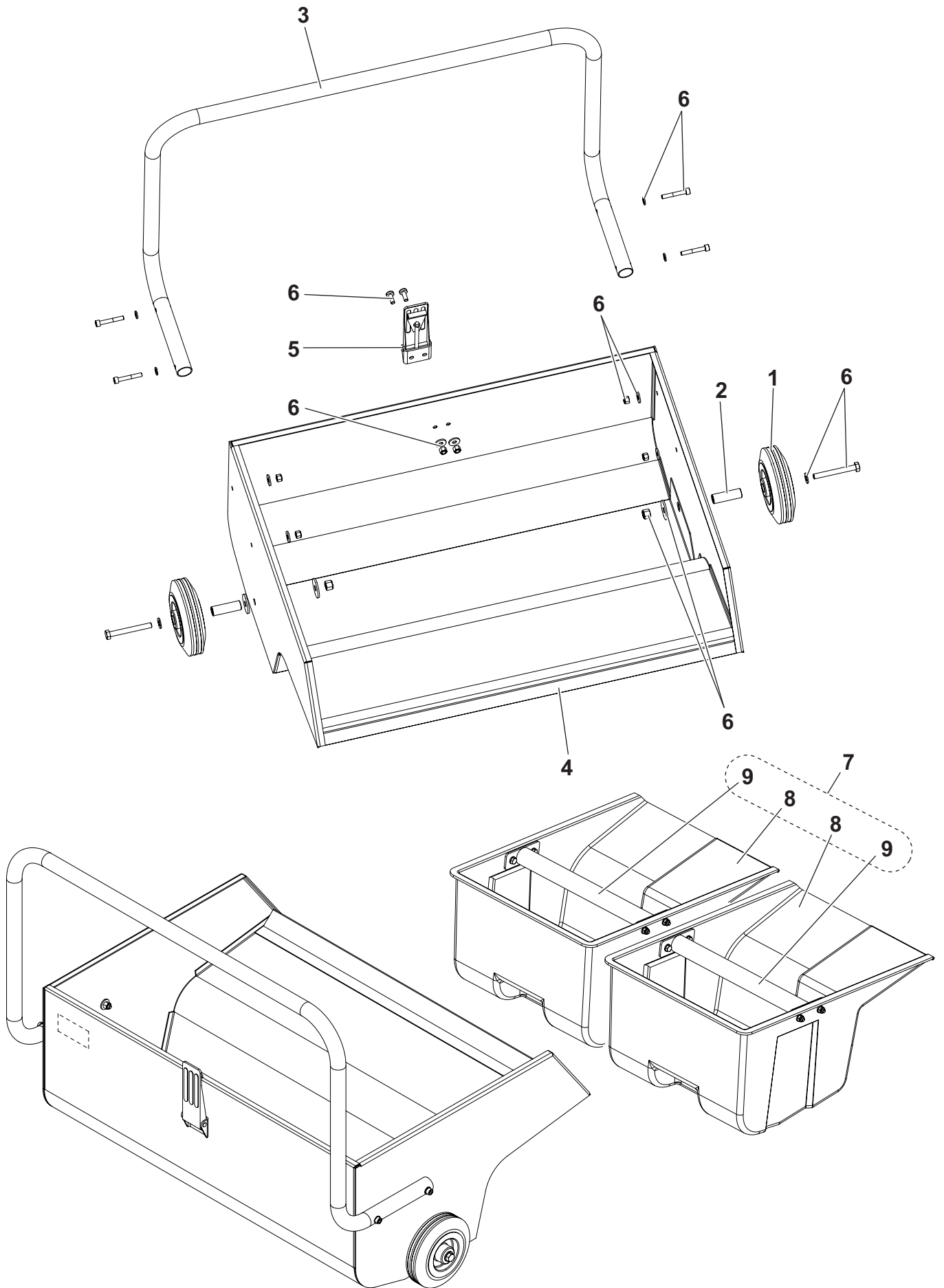
DUST CONTROL SYSTEM



**DUST CONTROL SYSTEM**

KIT	ITEM	REF. NO.	QTY	DESCRIPTION
	1	33005915	4	WASHER M8 UNI6592
	2#	1465997000	2	COLLAR METAL U M8 PKD
	3	146 2729 000	1	GASKET ADHESIVE FOR FILTER KIT
	4	146 2795 000	1	MOTOR FILTER SHAKER KIT
	5	1463523000	1	FILTER PAPER PANEL
	5*	<b>145 6013 000</b>	<b>1</b>	<b>FILTER POLYESTER ANTISTATIC</b>
	5*	<b>146 2759 000</b>	<b>1</b>	<b>FILTER POLYESTER</b>
	6#	33023207	1	NUT SELF L. M8 UNI7473 10 PCS SET
	7	146 2428 000	1	FRAME FILTERSHAKER MOTOR
	8	146 1851 000	2	KNOB M8
	0*	<b>146 2731 000</b>	<b>1</b>	<b>PRE-FILTER</b>

WASTE CONTAINER ASSEMBLY

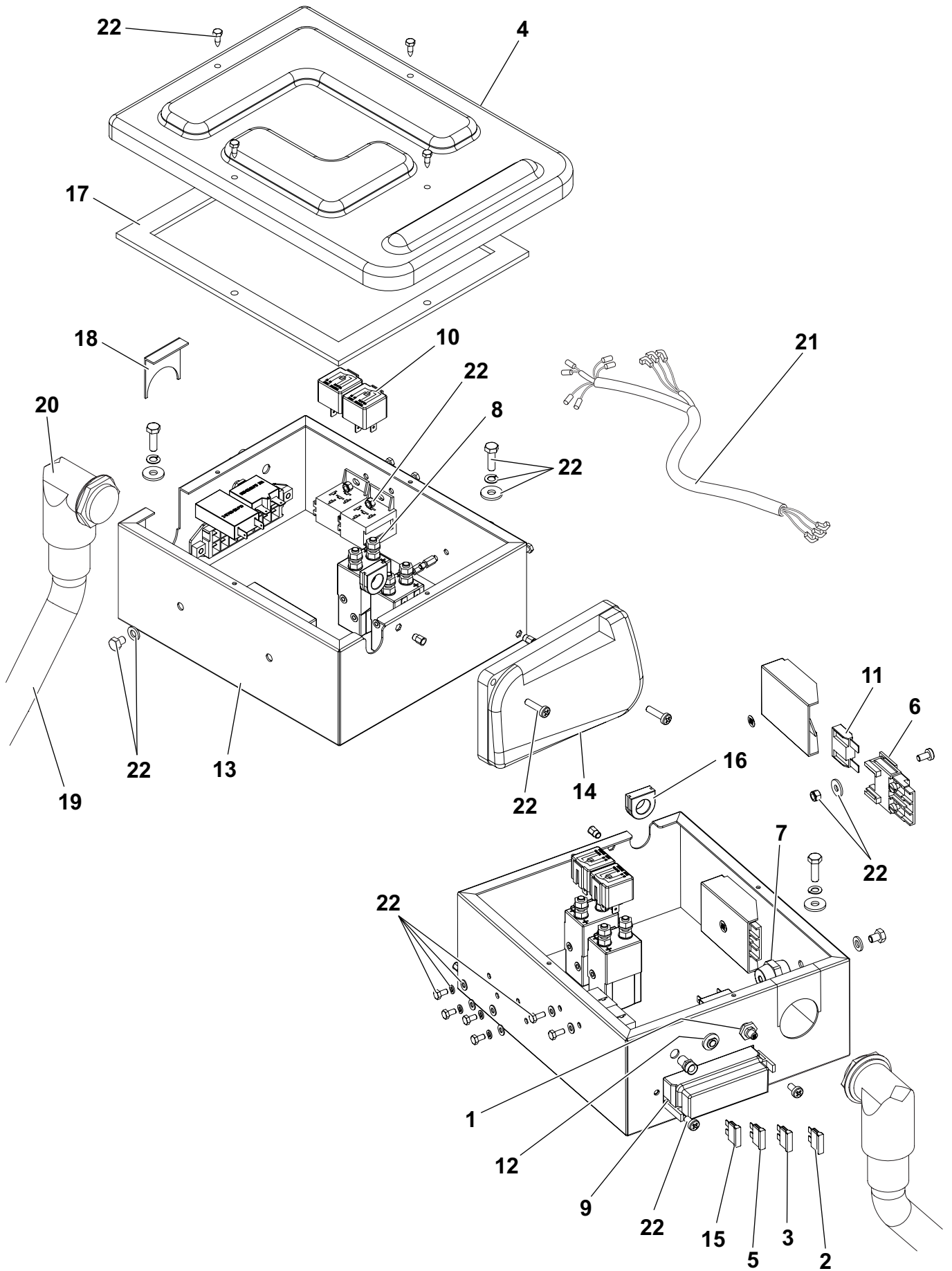




**WASTE CONTAINER ASSEMBLY**

KIT	ITEM	REF. NO.	QTY	DESCRIPTION
	1	145 5116 000	2	WHEEL
	2	145 5118 000	2	BUSH
	3	1463958000	1	HANDLE DIRT CONTAINER
	4	1463948000	1	CONTAINER WASTE
	5	145 9330 000	1	HOOK
	6#	1464296000	1	HARDWARE WASTE CONT.KIT
	<b>7*</b>	<b>1463981000</b>	<b>1</b>	<b>MINI CONTAINERS KIT</b>
	8	1463973000	2	MINI CONTAINER DIRT
	9	1464212000	2	HANDLE MINI CONTAINER

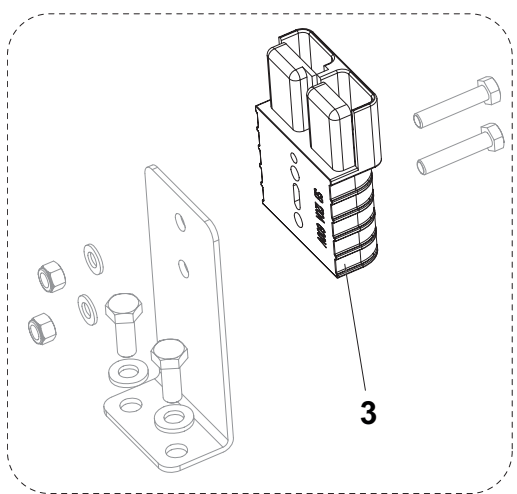
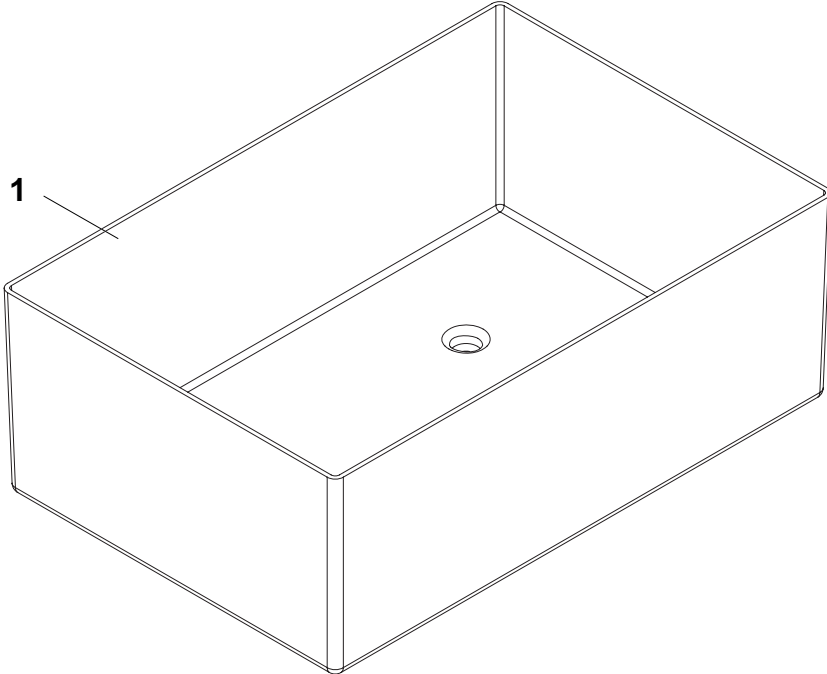
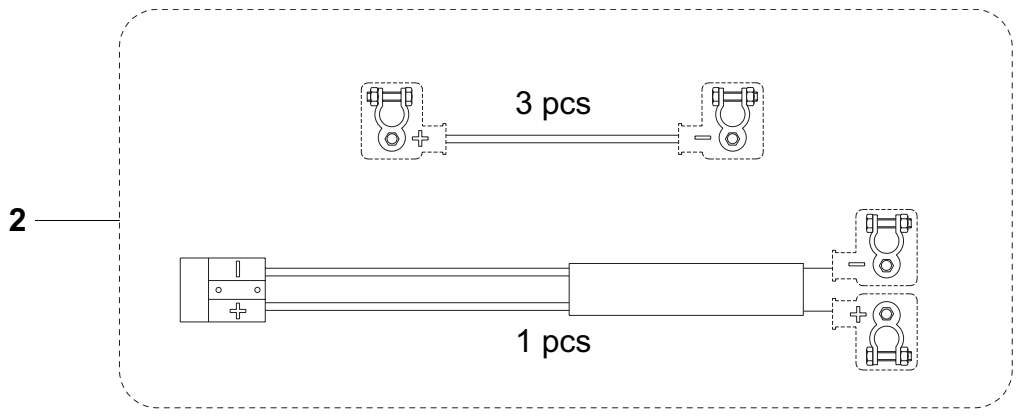
ELECTRICAL COMPONENTS



**ELECTRICAL COMPONENTS**

KIT	ITEM	REF. NO.	QTY	DESCRIPTION
	1	L08812633	1	FUSE 10A
	2	145 8513 000	1	FUSE BLADE 30A UL
	3	145 0227 000	1	FUSE BLADE 40A
	4	146 2484 000	1	COVER BOX ELEC.COMPONENTS
	5	145 8514 000	2	FUSE BLADE 25A
	6	146 0659 000	1	HOLDER MAXIFUSE
	7	146 0708 000	1	INSULATOR M6 WHITE
	8	146 0719 000	1	SWITCH ELECTROMAGNETIC 24V
	9	146 1170 000	1	HOLDER FUSE 8 WAYS
	10	145 3712 000	2	RELAY 24V
	11	146 2486 000	1	FUSE BLADE 70A
	12	909 5706 000	1	BREAKER CIRCUIT 30A
	13	1463962000	1	BOX ELECTRIC COMPONENTS
	14	146 2483 000	1	CONTROLLER DRIVE WHEEL
	15	145 9853 000	2	FUSE BLADE 15A
	16	146 2485 000	2	GROMMET
	17	146 2802 000	1	GASKET ELECTRIC BOX
	18	1463961000	1	PLATE FOR HARNESS
	19#	1463229000	1	HARNESS MACHINE B KIT
	20	1463157000	1	GROMMET D.15X22
	21#	1464165000	1	HARNESS ELECTRONIC BOX SR1101B
	22#	1464297000	1	HARDWARE WIRING FIX.KIT

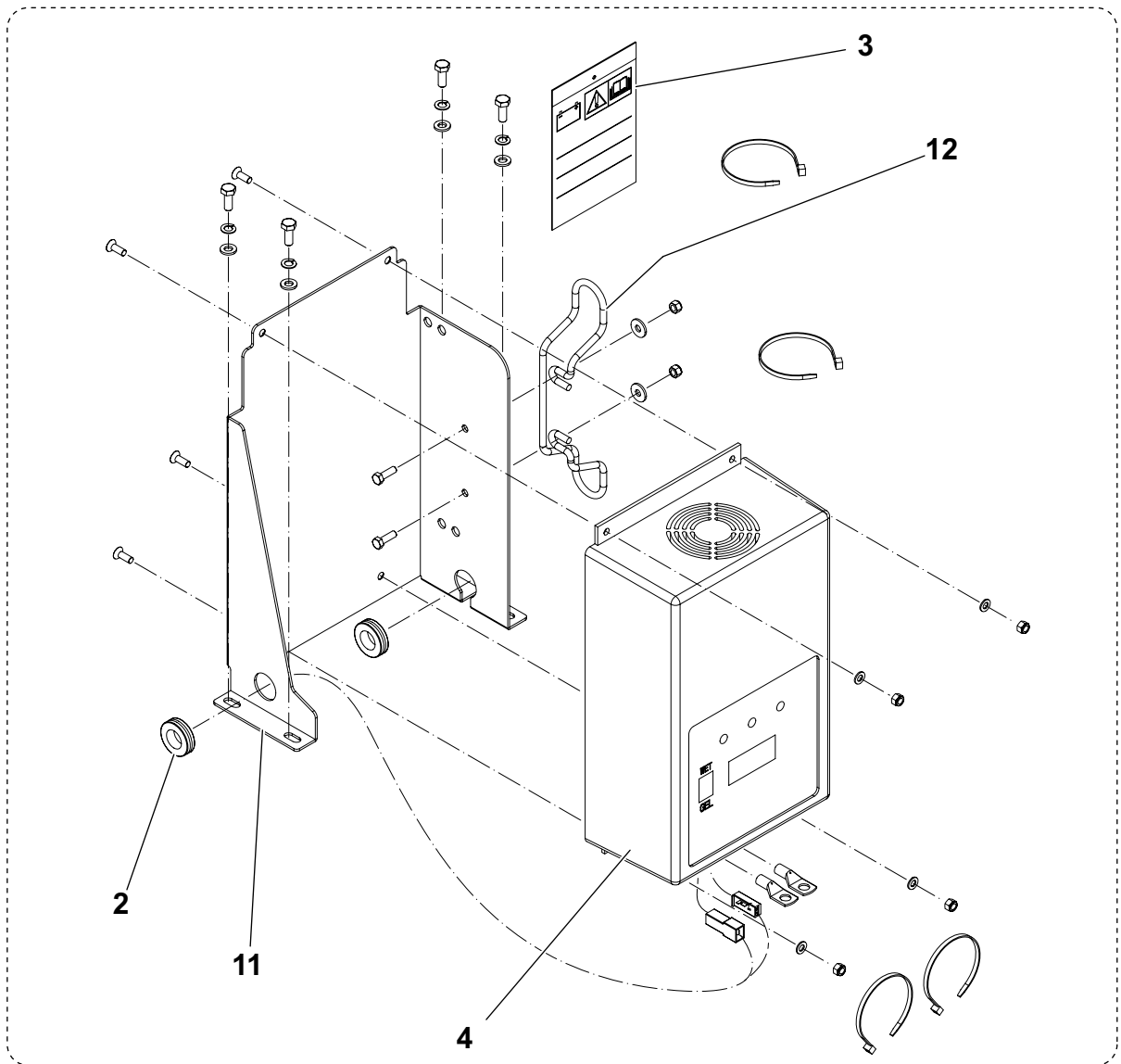
ELECTRICAL COMPONENTS



**ELECTRICAL COMPONENTS**

KIT	ITEM	REF. NO.	QTY	DESCRIPTION
	1	145 4692 000	1	CONTAINER BATTERY 5110-5120
	<b>1*</b>	<b>146 2791 000</b>	<b>1</b>	<b>BOX BATTERY KIT</b>
	2#	146 2790 000	1	HARNESS BATTERY
	3	146 1986 000	1	CONNECTOR 120A

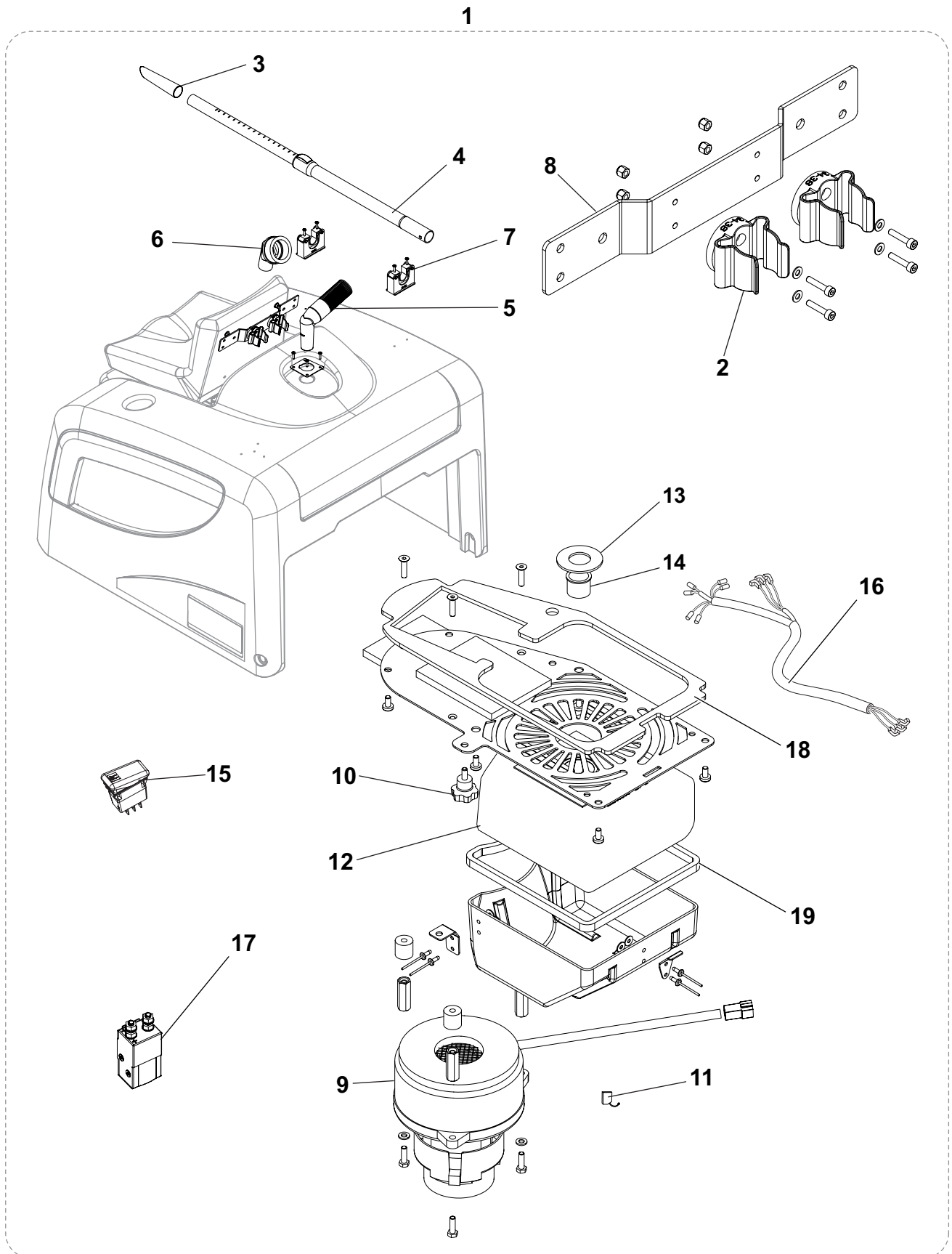
# BATTERY CHARGER ASSEMBLY



**BATTERY CHARGER ASSEMBLY**

KIT	ITEM	REF. NO.	QTY	DESCRIPTION
	1	146 2823 000	1	KIT ON BOARD BATTERY CHARGER 115V
	2	145 1237 000	2	CHOCK Ø22
	1	146 0803 000	1	CARD INSTRUCTION
	4	146 2132 000	1	CHARGER BAT. CPL. 110V
	[5]	146 2141 000	1	FUSE 15A
	[6]	146 2140 000	1	ELECTRONIC BOARD
	[7]	146 2143 000	1	DISPLAY CARD
	[8]	146 2145 000	1	CABLE
	[9]	146 2142 000	1	COOLING FAN
	[10]	146 0801 000	1	SWITCH WET/GEL
	11	146 2311 000	1	BRACKET
	12	909 5149 000	1	CABLE SUPPORT

## ACCESSORIES

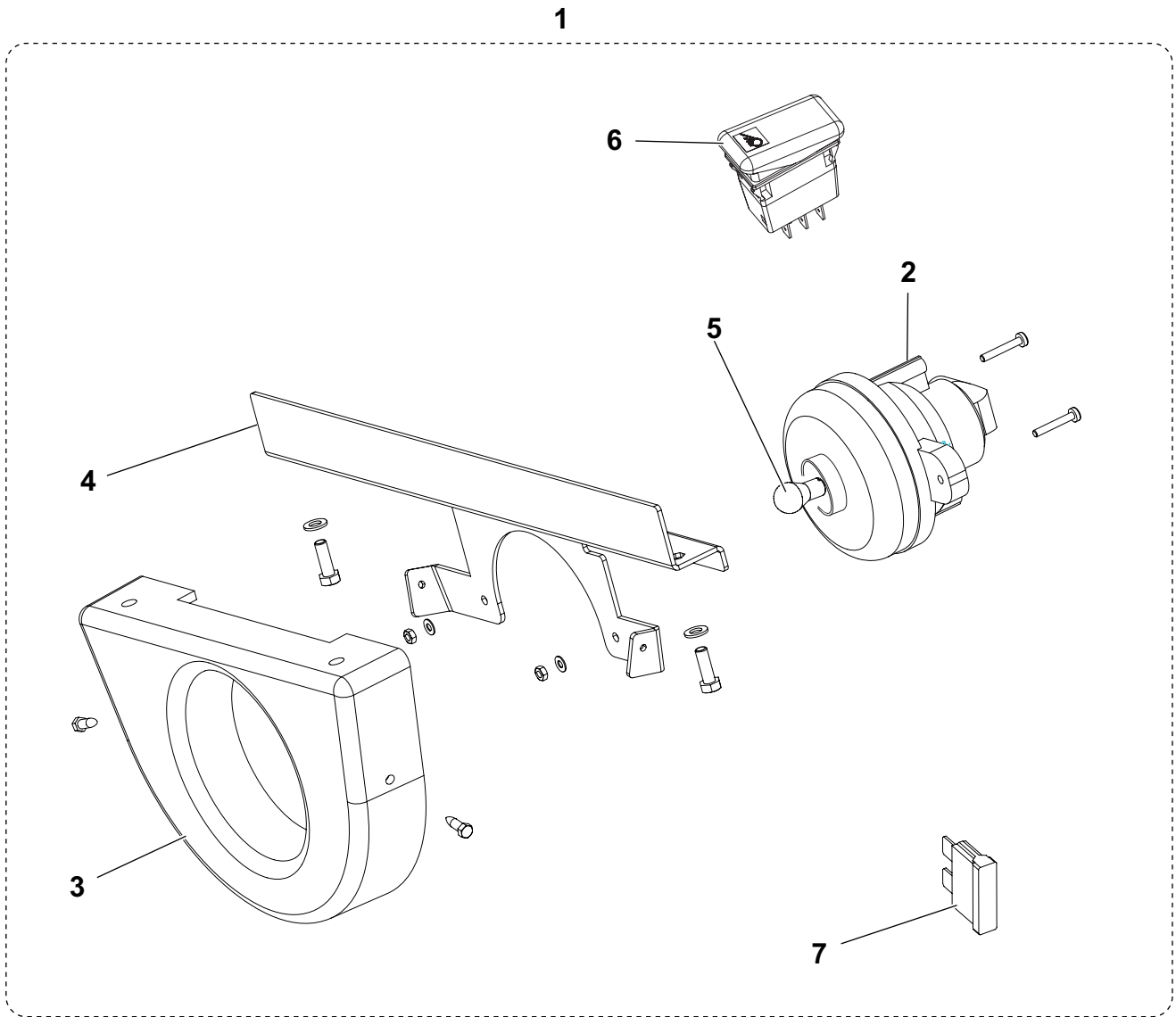




**ACCESSORIES**

KIT	ITEM	REF. NO.	QTY	DESCRIPTION
	1*	146 2524 000	1	VACUUM CLEANER KIT
		146 2523 000	1	INSTALLATION INSTRUCTIONS
	2	146 2288 000	2	CLAMP.HOSE D.34-38
	3	81140900	1	CREVICE NOZZLE KIT
	4	011 8130 500	1	TELESCOPIC TUBE ALUMINIUM
	5	140 5691 000	1	HOSE CPL.32MM PLASTIC END
	6	140 8244 000	1	BRUSH NOZZLE D32
	7	146 2289 000	2	CLAMP.HOSE D.30-40
	8	146 2291 000	1	BRACKET. TOOL MOUNTING
	9	146 2133 000	1	MOTOR VACUUM 500W 24V W/CONNEC.AND TE
	10#	1466153000	2	KNOB LOBED M6X15 PKD
	11	909 5074 000	1	CARBON BRUSHES KIT 2 PCS
	12#	78602600	1	DUST BAG 5 PCS COMPACT GO COUPE
	13	146 2898 000	1	GASKET
	14	L08812351	1	BUSHING
	15	146 1973 000	1	SWITCH
	16	146 2522 000	1	HARNESS VACUUM CLEANER
	17	146 0719 000	1	SWITCH ELECTROMAGNETIC 24V
	18#	146 1980 000	1	GASKET.PLATE
	19#	146 2118 000	1	GASKET RUBBER L.750MM PKD

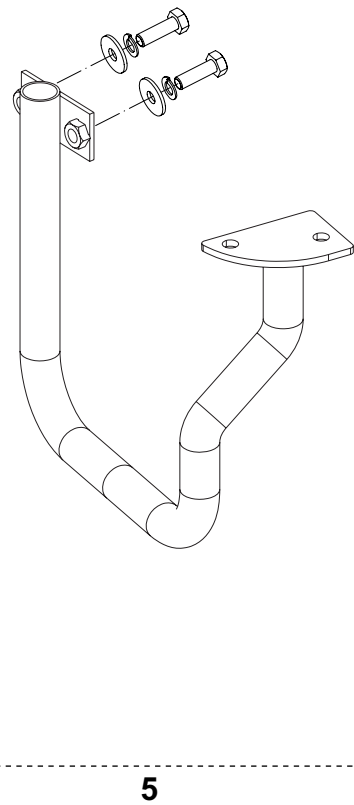
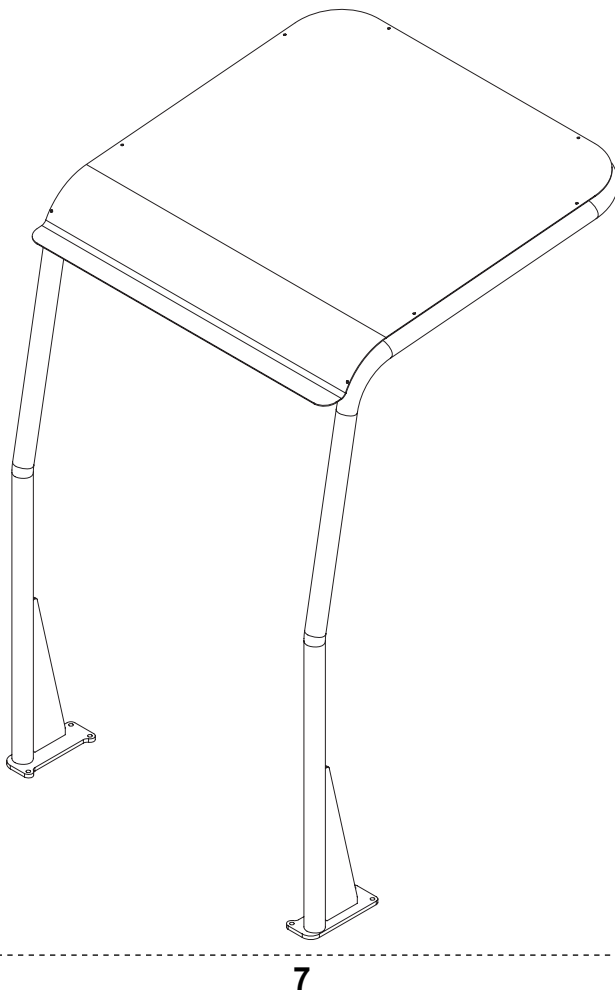
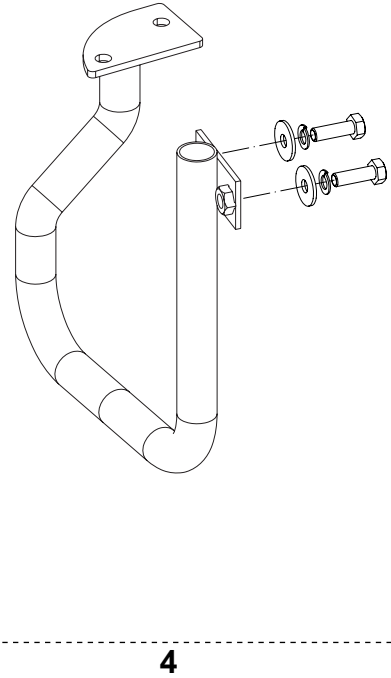
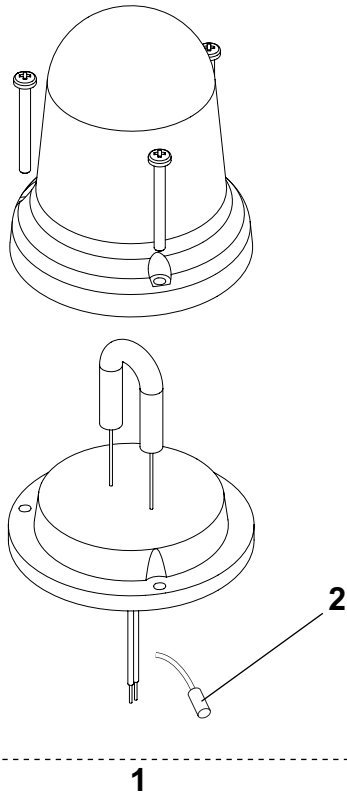
ACCESSORIES



**ACCESSORIES**

KIT	ITEM	REF. NO.	QTY	DESCRIPTION
	1*	1463972000	1	KIT WORKING LIGHT
		1463974000	1	INSTALLATION INSTRUCTION
	2	146 1985 000	1	LIGHT
	3	146 2528 000	1	PROTECTION WORKING LIGHT
	4	1464038000	1	LIGHT SUPPORT PLATE
	5	145 5518 000	1	LAMP 24V
	6	146 1974 000	1	SWITCH
	7	146 0068 00	1	FUSE 10A

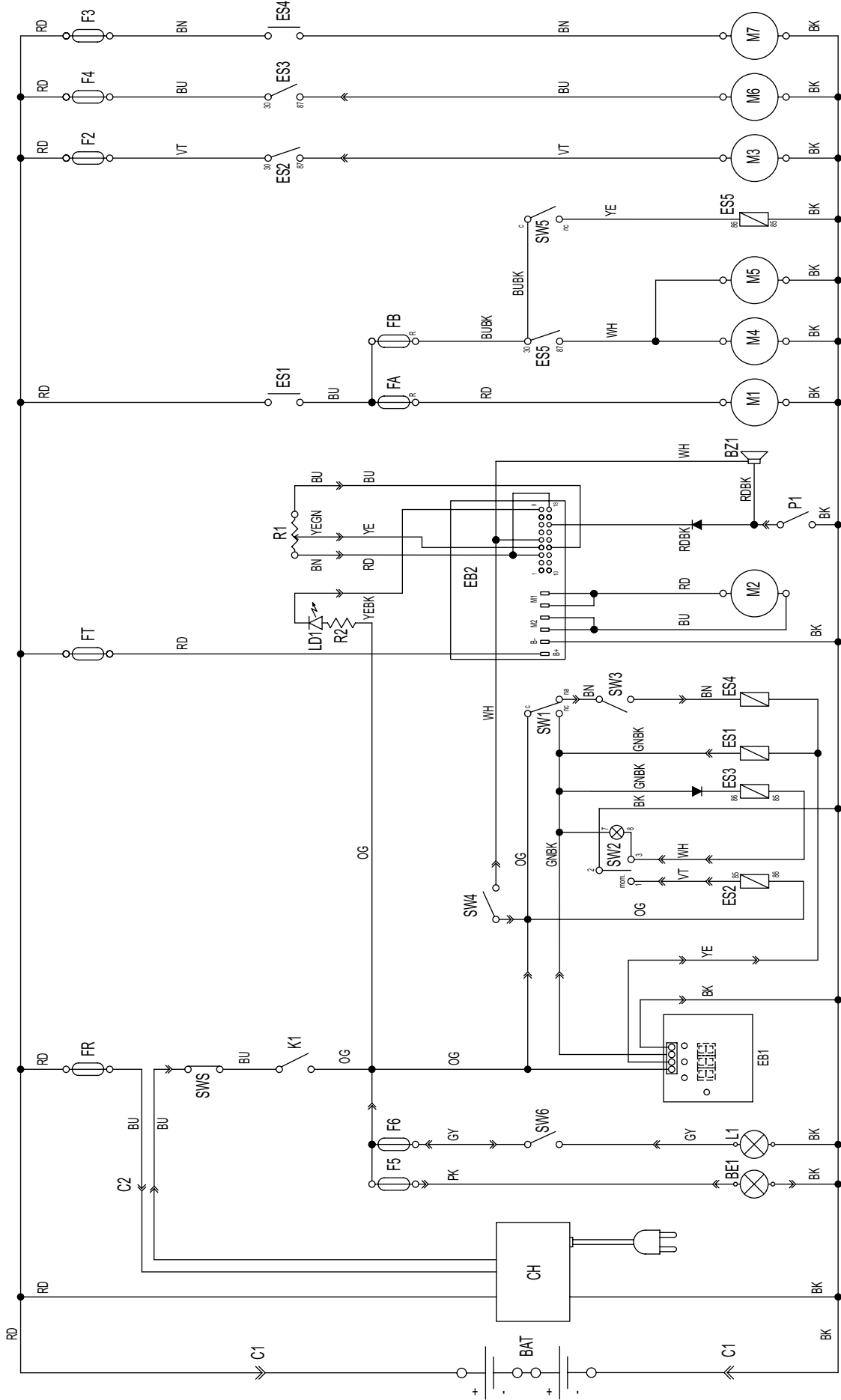
ACCESSORIES



**ACCESSORIES**

KIT	ITEM	REF. NO.	QTY	DESCRIPTION
	1*	146 2692 000	1	<b>KIT FLASHING BEACON</b>
		146 2693 000	1	INSTALLATION INSTRUCTION
	2	145 3738 000	1	TERMINAL
	4*	1464058000	1	<b>KIT BROOM BUMPER RIGHT</b>
	5*	1464105000	1	<b>KIT BROOM BUMPER LEFT</b>
		1464060000	1	INSTALLATION INSTRUCTIONS
	7*	146 2735 000	1	<b>KIT OVERHEAD GUARD</b>
		146 2738 000	1	INSTAL.INSTRUTIONS F KIT OVERHEAD GUARD

WIRING DIAGRAM



## WIRING DIAGRAM

KEY	REF. NO.	DESCRIPTION
BAT		24V BATTERY
BE1		BEACON (OPT)
BZ1		BACK-UP ALARM / HORN
C1		BATTERY CONNECTOR
C2		CHARGER SECONDARY CONNECTOR
CH1		BATTERY CHARGER (OPT)
EB1		HOUR METER AND BATTERY DISPLAY
EB2		DRIVE ELECTRONIC BOARD
ES1		MAIN BROOM ELECTROM. SWITCH
ES2		SHAKER RELAIS
ES3		VACUUM RELAIS
ES4		REMOTE VAC. EL. SWITCH (OPT)
ES5		SIDE BROOM RELAIS
FA		MAIN BROOM CIRCUIT BREAKER
FB		SIDE BROOMS CIRCUIT BREAKER
FT		DRIVE FUSE (70 A)
F1		SERVICE (MAIN) FUSE (15 A)
F2		SHEAKER FUSE (40 A) (OPT)
F3		REMOTE VACUUM FUSE (40 A) (OPT)
F4		VACUUM FUSE (30 A)
F5		ALARM AND BEACON FUSE (10 A) (OPT)
F6		WORKING LIGHT FUSE (10 A) (OPT)
K1		KEY
LD1		DRIVE DIGNOSTIC LED
L1		WORKING LIGHT (OPT)
M1		MAIN BROOM MOTOR
M2		DRIVE MOTOR
M3		SHEAKER MOTOR
M4		RIGHT BROOM MOTOR
M5		LEFT BROOM MOTOR (OPT)
M6		VACUUM MOTOR
M7		REMOTE VACUUM MOTOR (OPT)
P1		HORN BUTTON
R1		DRIVE SPEED POTENTIOMETER
R2		LED RESISTOR
SWS		SAFETY SWITCH
SW1		BROOM MICROSWITCH
SW2		VACUUM / SHEAKER SWITCH
SW3		REMOTE VACUUM SWITCH (OPT)
SW4		SEAT MICROSWITCH
SW5		SIDE BROOMS MICROSWITCH
SW6		WORKING LIGHT SWITCH (OPT)

KEY	COLOUR	COLORE
BK	BLACK	NERO
BU	LIGHT BLUE	AZZURRO
BN	BROWN	MARRONE
GN	GREEN	VERDE
GY	GREY	GRIGIO
OG	ORANGE	ARANCIONE

KEY	COLOUR	COLORE
PK	PINK	ROSA
RD	RED	ROSSO
VT	VIOLET	VIOLA
WH	WHITE	BIANCO
YE	YELLOW	GIALLO

**RECOMMENDED SPARE PARTS**

	REF. NO.	QTY	DESCRIPTION
			<b>WEAR PARTS</b>
	1463952000	2	BROOM SIDE 180X400 MIX STEEL
	145 4879 000	1	BROOM MAIN 300X700 CHEVR. 6R PPL 0.5-0.7
	1464062000	1	SKIRT FRONT
	145 5927 000	2	SKIRT SIDE
	145 1971 000	1	SKIRT REAR
	1463523000	1	FILTER PAPER PANEL
			<b>ORDINARY MAINTENANCE</b>
	145 1851 000	1	BELT HTD 5M 15 710
	146 2477 000	1	CABLE SKIRT RAIS.DEVICE
	146 2520 000	1	CABLE LEFT SIDE BROOM
	146 2475 000	1	CABLE RIGHT SIDE BROOM
	1463959000	1	CABLE MAIN BROOM
	146 2729 000	1	GASKET ADHESIVE FOR FILTER KIT
#	146 0741 000	1	GASKET BULB RUBBER L.2030MM
	1463977000	1	GASKETS HOPPER KIT
	1464432000	1	CARBON BRUSHES KIT 4 PCS
	145 5125 000	4	CARBON BRUSH
	L08603949	1	CARBON BRUSHES KIT 4 PCS
	909 5074 000	1	CARBON BRUSHES KIT 2 PCS
	146 2486 000	1	FUSE BLADE 70A
	145 0227 000	1	FUSE BLADE 40A
	145 8514 000	1	FUSE BLADE 25A
	145 8513 000	1	FUSE BLADE 30A UL
			<b>EXTRAORDINARY MAINTENANCE</b>
	146 2433 000	2	WHEEL REAR
	146 2442 000	1	WHEEL FRONT
	146 2795 000	1	MOTOR FILTER SHAKER KIT
	1463147000	1	SPRING GAS 30 KG
#	1466161000	1	CONTROLLER MAIN MACHINE KIT
	146 2887 000	1	KEY 2 PCS
	146 2483 000	1	CONTROLLER DRIVE WHEEL
	146 2792 000	1	MOTOR BROOM MAIN KIT
	1463953000	1	REDUCTION GEARMOTOR 60W 24V DX
	1463954000	1	REDUCTION GEARMOTOR 60W 24V SX
	145 9679 000	2	MICROSWITCH 10A 250V
	146 2532 000	1	SWITCH
	909 5706 000	1	BREAKER CIRCUIT 30A
	L08812633	1	FUSE 10A
	146 2952 000	1	PEDAL SPEED CONTROL KIT
	146 1646 000	1	HARDWARE STEERING KIT
	146 0719 000	1	SWITCH ELECTROMAGNETIC 24V
	146 2480 000	1	HARNESS DRIVE PEDAL
	146 2463 000	1	CABLE BRAKE



## ACCESSORIES - OPTIONALS

	REF. NO.	QTY	DESCRIPTION
	1463952000	1	BROOM SIDE 180X400 MIX STEEL
	145 4957 000	1	BROOM MAIN 300X700 CHEVRON 6R MIX STEEL
	145 6080 000	1	BROOM MAIN 300X700 CHEVRON 6R NATURAL
	146 2746 000	2	WHEEL REAR NON MARKING
	146 2745 000	1	WHEEL FRONT NON MARKING
	146 2731 000	1	PRE-FILTER
	145 6013 000	1	FILTER POLYESTER ANTISTATIC
	146 2759 000	1	FILTER POLYESTER
	146 2735 000	1	KIT OVERHEAD GUARD
	1464105000	1	KIT BROOM BUMPER LEFT
	1464058000	1	KIT BROOM BUMPER RIGHT
	1464101000	1	CARPET KIT
	146 2692 000	1	KIT FLASHING BEACON
	146 2744 000	1	SKIRTS NON MARKING KIT
	1463972000	1	KIT WORKING LIGHT
	1463981000	1	MINI CONTAINERS KIT
	146 2524 000	1	VACUUM CLEANER KIT
	146 2791 000	1	BOX BATTERY KIT
	146 2900 000	1	SEAT WITH BELT



**Advance**

14600 21st Avenue North  
Plymouth, MN 55447-3408

[www.advance-us.com](http://www.advance-us.com)

Phone: 800-989-2235

Fax: 800-989-6566

©2015 Nilfisk-Advance, Inc.

---

**A Nilfisk-Advance Brand**