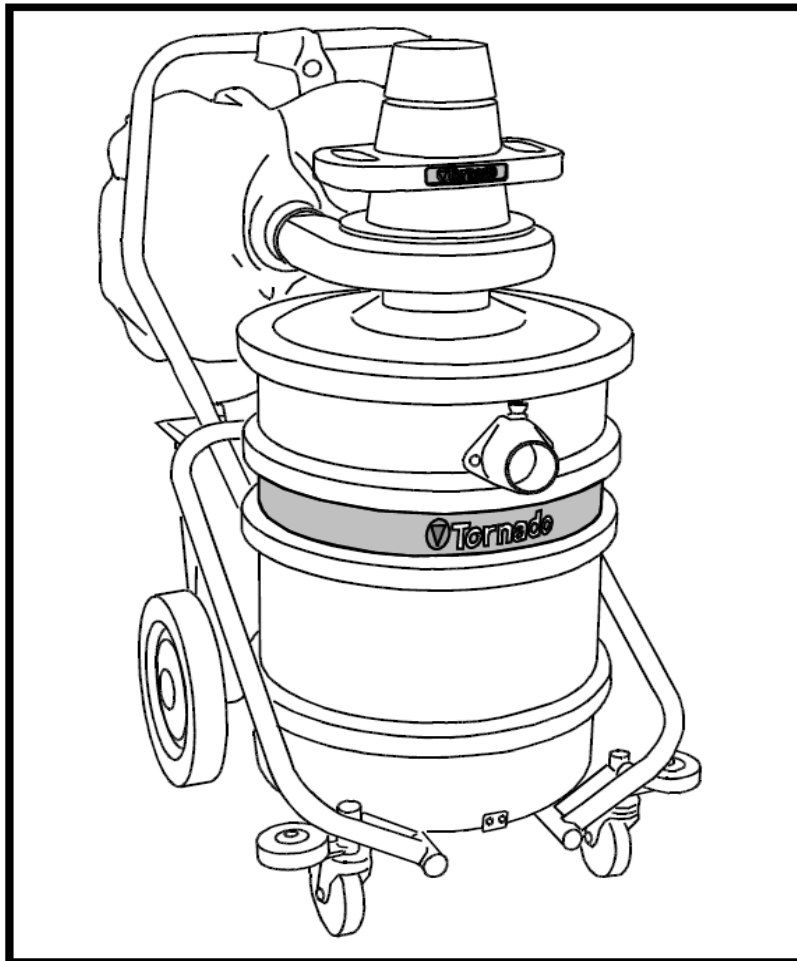


TORNADO INDUSTRIES, LLC
333 CHARLES COURT
WEST CHICAGO, IL 60185
(630)-818-1300 FAX (630)-818-1301
WWW.TORNADOVAC.COM



Operations & Maintenance Manual
For Commercial Use Only



**TASKFORCE EXTERNAL FILTER 2.25 H.P.
ELECTRIC VACUUM w/ACCESSORIES
MODEL NO: 98995**



Long Term Buyer Protection Limited Warranty

Tornado Industries, LLC. (Tornado) warrants to the end/user customer that the Tornado product(s) will be free from defects in material and workmanship for the duration(s) described below. This limited warranty DOES NOT cover machines and/or components subject to normal wear and tear, damage that occurs in shipping, failures resulting from modification, accident, unsuitable operating environment, misuse, abuse, neglect, or improper maintenance by you. For full details, contact your Authorized Tornado Distributor, Service Center, or the Tornado Technical Service Department. Tornado sales and service representatives are not authorized to waive or alter the terms of this warranty, or to increase the obligations of Tornado under the warranty.

10 Years*

Plastic water tanks and Rotationally-molded bodies

2 Years*

Parts on all Tornado cleaning equipment

1 Year*

Labor on all Tornado cleaning equipment

1 Year*

Warranty on batteries, one year prorated

All battery warranties are handled directly by the battery manufacturer, on a one year prorated basis

Terms subject to change without notice

1. Except all Windshears™ Blowers, Storm, TV 2, Side and Dowlraft, Insulation Blowers, CV 30, CV 38, CK14/1 PRO, CK 14/2 PRO, SWM 31/9, CK LW13/1, CV 38/48 Dual, PV6, PV10, and all chargers are warranted for 1 (one) year for both parts and labor.
2. All non-wear item parts purchased after warranty expiration are warranted for 90 days.
3. Warranty starts from the date of sale to the consumer or, at Tornado's discretion, 6 months after the dealer purchased the unit from Tornado, whichever comes first.
4. The EB 30 is warranted for a period of 90 days for both parts and labor.
5. The warranty on engines used on propane powered equipment is limited to motor manufacturer's warranty.
6. Ride-on Scrubbers are warranted for 24 months, parts, 6 months labor or 1,000 hours, whichever occurs first.

Note: Tornado, The Latest Dirt, Floorkeeper, Carpetkeeper, Carpetrinser, Carpetrinser/Dryer, Headmaster, Taskforce, PAC-VAC, T-Lite, Glazer, Windshear, Max-Vac and Trot-Mop are trademarks of Tornado Industries

Website: www.tornadovac.com
Phone 1-800-VACUUMS
Fax (630) 818-1301
Address 333 Charles Court Suite 109
West Chicago, IL 60185



NOTES

General Specifications

The Taskforce External Filter Electric Vacuum is a heavy duty wet/dry industrial vacuum. It picks up wet and dry waste simultaneously without the need to change any filters. Heavier waste settles in the drum, while lighter particles are trapped in the external filters. The 2.25 h.p. vacuum motors create tremendous CFM for pick up power. This unit handles a wide variety of waste with ease, ranging from fine powders to heavy-grade viscosity products. The steel carrier protects the T-lite 16 gallon tank and has a basket for attachment storage. Large rear wheels and front 360 degree swivel caster wheels make operation and transportation easy. It accommodates 1.5" and 2" hoses and attachments. Options include a wide variety of 1.5" and 2' hoses and attachments.

Unit Specifications

THE 98995 ASSEMBLY INCLUDES:

- 98904 2.25 h.p. Blower Motor
- 98850 Tank Cover
- 90377 1268 sq. in. Poly Filter
- 98186 Tip and Pour Steel Carrier w/Basket
- 92654 16 Gallon T-Lite tank

ADDITIONAL ATTACHMENTS INCLUDE:

- 90573 Liquid Shut-Off Float w/Suds Pan
- 90684 1.5" x 15' Urethane Hose
- 90682 1.5 x 4' Aluminum Wand
- 90644 1.5" T-Lite Squeegee Tool
- 90642 14" T-Lite Fibre Shoe
- 90414 18" Round Nozzle

AMPS	15
RPM	15,750
HORSEPOWER	2.25
CFM	146 @ 2" hose, 184 @ 3" hose
STATIC WATER LIFT	51"
EXTERNAL FILTER AREA	1268 sq. in.
HORIZONTAL REACH	30 ft.
POWER CORD	50 ft. 14 Ga. 3 Wire
WEIGHT	65 lbs.
Tank Size	16 Gal. T-lite

Features

- Capable of simultaneous wet/dry pickup when using external filter.
- The unit is constructed for recovering water or other solutions without any adjustments. Liquid shutoffs are available.
- Ideal for materials from powder to oily metal chips, grindings, and shavings.
- Recovers fluids from water to medium weight oils.
- External filter collects lighter particles and resists clogging.
- Tank collects heavier waste (approximately 95% of all pickup); light particles collect in external filters.
- Known for high C.F.M. (cubic feet of air per minute) and moderate suction (static water lift).

IMPORTANT SAFETY INSTRUCTIONS

READ AND UNDERSTAND ALL INSTRUCTIONS BEFORE USING THIS UNIT

Read and understand this owner's manual and all labels on the unit before operating. Safety is a combination of common sense, staying alert and knowing how your unit works. Use this unit only as described in this manual. To reduce the risk of personal injury or damage to your unit use only the recommended accessories

For Commercial use,

SAVE THIS MANUAL FOR FUTURE REFERENCE

When using an electrical appliance, basic precautions should always be followed including the following:

WARNING: TO REDUCE THE RISK OF FIRE, ELECTRICAL SHOCK OR INJURY:

- Use only as described in this manual. Use only manufacture's recommended attachments.
- Do not use this unit near flammable liquids, gases, or explosive vapors like gasoline or other fuels, lighter fluids, cleaners, oil-based paints, natural gas, hydrogen, or explosive dusts like coal dust, magnesium dust, grain dust, or gun powder. Sparks inside the motor can ignite flammable vapors or dust.
- Keep the cord away from heated surfaces.
- Do not expose to rain. Store indoors.
- Do not unplug by pulling on cord. To unplug, grasp the plug
- Do not use with damaged cord, plug, or other parts.
- If the unit is not working as it should, has been dropped, damaged, left outdoors, or dropped into water, return it to a service center.
- Do not pull or carry by the cord, use the cord as a handle, close a door on a cord, or pull cord around sharp edges or corners.
- Do not run the unit over the cord.
- Do not handle the plug or the unit with wet hands.
- To reduce the risk of health hazards from vapors or dusts, do not vacuum toxic materials.
- Do not store near hazardous materials.
- Do not use the unit with a torn filter or without the filter installed except when vacuuming liquids as described in the operations section of this manual.
- Do not allow it be used as a toy. Close attention is necessary when used by or near children.
- To reduce the risk of injury from accidental starting, unplug power cord before changing or cleaning filter.
- Do not leave the unit unattended when plugged in. Unplug from wall outlet when not in use and before servicing.
- Turn off the unit before unplugging.
- Do not put any object into ventilation openings. Do not operate with any ventilation openings blocked; keep free of dust, lint, hair or anything that may reduce air flow.
- Keep hair, loose clothing, fingers and all parts of the body way from openings and moving parts.
- To reduce the risk of falls, use extra care when using the unit on stairs.
- Do not pick up hot ashes, coals, toxic, flammable or other hazardous materials.
- Connect to a properly grounded outlet only. See Grounding Instructions.
- Never operate with intake unguarded. Strong suction will pull fingers and/or clothing into blades and other moving parts.
- Always point exhaust port in a safe direction. Air exits at very high velocity.
- Always wear safety glasses when in the vicinity of this unit.
- If unit is hand held, hold firmly when starting. High torque when starting will cause unit to jerk and cause injury and/or damage.



WARNING: Failure to adhere to these instructions could result in serious bodily injury or property damage.

BEFORE OPERATING MACHINE

Read this manual completely before attempting to operate machine. This manual has important information for the use and safe operation of the machine. Keep this manual on file and handy. If additional information is needed, please contact your local distributor or contact:

TORNADO INDUSTRIES (630) 818-1300
330 CHARLES COURT SUITE 109 Fax: (630) 818-1301
WEST CHICAGO, IL 60185 www.tornadovac.com

Grounding Instructions

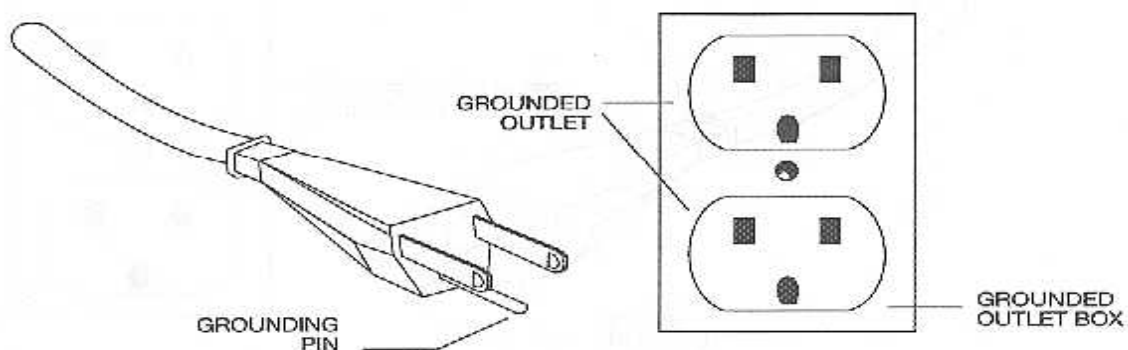


WARNING: Improper connection of the equipment-grounding conductor can result in a risk of electric shock. Check with a qualified electrician or service person if you are in doubt as to whether the outlet is properly grounded. Do not modify the plug provided with the appliance - if it will not fit the outlet, have a proper outlet installed by a qualified electrician.

This appliance must be grounded. If it should malfunction or breakdown, grounding provides a path of least resistance for electric current to reduce the risk of electric shock. This appliance is equipped with a cord having an equipment grounding conductor and grounding plug. The plug must be inserted into an appropriate outlet that is properly installed and grounded in accordance with all local codes and ordinances.

WARNING - Improper connection of the equipment grounding conductor can result in a risk of electric shock. Check with a qualified electrician or service person if you are in doubt as to whether the outlet is properly grounded. Do not modify the plug provided with the appliance, if it will not fit the outlet, have a proper outlet installed by a qualified electrician.

This appliance is for use on a nominal 120-volt circuit and has a grounding attachment plug that looks like the plug illustrated in sketch (A). Make sure that the appliance is connected to an outlet having the same configuration as the plug. No adaptor should be used with this appliance.



(A)

Head Assembly Setup and Operation

ASSEMBLY OF HEAD UNIT AND DRUM

1. Remove all components from package. NOTE: The carrier, tank, and tank cover assembly all come pre-assembled to each other.
2. The blower motor comes already attached to the tank cover. Make sure exhaust nozzle is facing outward. To detach, turn the blower motor counter-clockwise and it will unlock from the tank cover.
3. Attach external filter by installing inlet collar onto exhaust nozzle. Turn collar clockwise to lock. Do not twist filter.
4. Connect the top of the filter to the handle of the carrier.

STARTING/STOPPING MACHINE

1. Plug blower motor power cord into 20 amp wall outlet.
2. Start by turning ON/OFF switch located on blower motor to ON position.
3. Stop by turning ON/OFF switch located on blower motor to OFF position.

OPERATING RULES

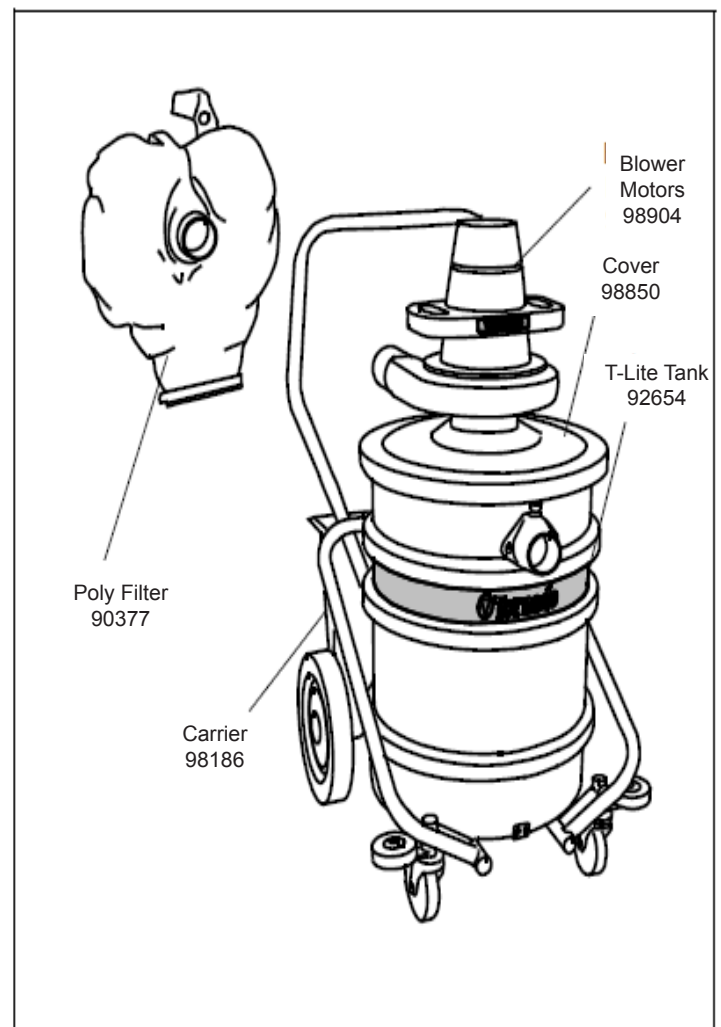
Use 1.5" to 2" I.D. hoses and attachments.

Use to recover water and light weight oils.

Use to recover powders, grindings, and metal shavings.

Use Tornado #94655 Add-A-Tank system when recovering fine dry powders. Grounding and static discharge are required when recovering powders. Use TORNADO brand static conductive hoses (urethane or neoprene), and ground vacuum head and tank assembly to an earth ground.

Extension cords must be heavier than the input cord, with a 50 foot maximum extension cord length.



Troubleshooting Guidelines

<u>Problem</u>	<u>Remedy</u>
1. Machine does not start	Make sure power cord is plugged into working receptacle. Inspect for defective power cord or plug.
2. Machine stops running	Make sure power cord is plugged into working receptacle. Check circuit breaker, inspect for armature brush wear or defective power cord or plug.
3. Machine has no suction	Inspect for clogged hose, clogged motor intake, collapsed hose, defective tank, material too heavy for unit.
4. Blower Motor overheats	Inspect armature brushes for satisfactory length (Refer to Maintenance section), proper motor ventilation, extension cord proper size (12-3 minimum).
5. Machine has poor recovery	<p>Inspect for correct size hose and attachments, poor sealing, defective tank, material too heavy for unit.</p> <p>Inspect external filter. Empty and clean if necessary.</p> <p>Inspect for proper tank cover seal (gasket).</p> <p>Inspect for damage and/or wear to hose and accessories.</p> <p>Inspect locked position of blower motor to tank cover.</p> <p>Inspect locked position of external filter to blower motor.</p> <p>Inspect all seals for wear and/or damage.</p>

Maintenance

MAINTENANCE OF MOTOR UNIT

Refer to Figure No. 2.

Damage to an armature invariably is caused by permitting carbon brushes to become worn to less than 1/4" in length. To prevent this from occurring, inspect brushes after the first 200 hours of operation and frequently thereafter, replacing when necessary. Failure to do so will nullify factory warranty.

HOW TO INSPECT BRUSHES

1. Unplug blower electrical cord from outlet.
2. Remove the two screws (39) located on the top cover (7).
3. Pull back U-clip (coil spring) (30) to release carbon brush (brush card assembly) (31).
4. Remove the two brushes (31) and inspect for length.
5. Replace if necessary.

NOTE: No other maintenance of motor should be attempted during the first year after purchase (refer to warranty). **Any other type of service should be performed by an authorized TORNADO service representative.**

MAINTENANCE OF EXTERNAL FILTER

For maximum operating efficiency and to insure longer wear, remove filter(s) and empty by detaching the bottom clamp after every use.

ALL OTHER MAINTENANCE

Use only three wire extension cords which have three-prong grounding type plug caps and three-pole receptacles that accept units plug. Extension cords must be the equivalent or heavier than the input cord. Replace any damaged cords.

Empty and clean vacuum, filter(s), and attachments after each days use for maximum performance.

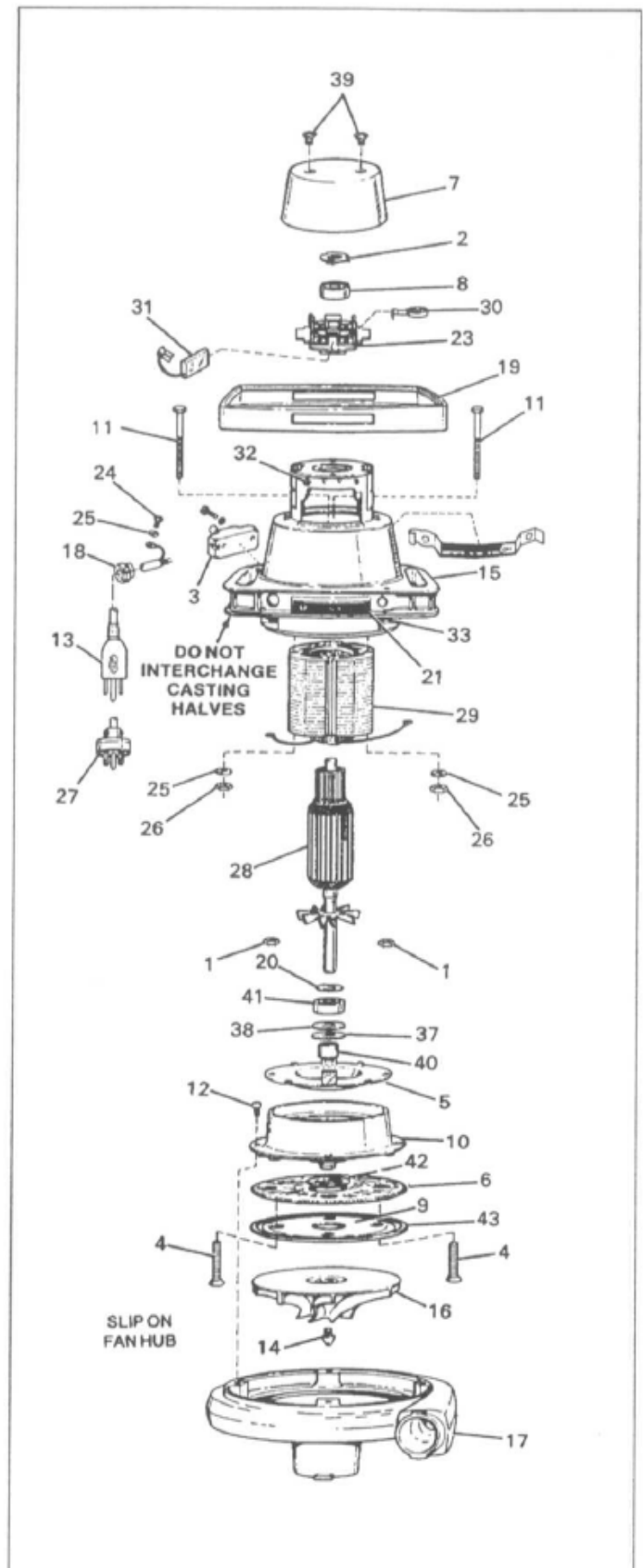


Figure No. 2 Blower Motor Assembly

	CODE NUMBERS			VOLTAGE	
	8800H		98904	115V	
	8801 H			230V	
ITEM NO.	QTY.	PART NO.	QTY.	PART NO.	DESCRIPTION
1	4	7533	4	7533	Nut
2	1	7858	1	7858	Load Spring
3	1	8516	1	8516	Switch
4	4	11276	4	11197	Screw
5	1	11268	1	11198	Cooling Fan Baffle
6	1	11269	1	11199	Fiberglass Pad
7	1	12436	1	12436	Top Cover
8	1	11236	1	11236	Bearing
9	1	11274	1	11237	Fan Chamber Plate
10	1	12604	1	12644	Cover Plate S/A
11	2	11275	2	11239	Field Screw
12	4	11240	4	11240	Screw
13	1	11241	1	11241	Cable (115 Volt)
	1	11449			Cable (230 Volt)
14	1	11242	1	11242	Fan Spinner
15	1	11243	1	11243	Motor Fan Housing S/A
16	1	12605	1	12692	Fan -
17	1	12645	1	12614	Fan Chamber
18	1	11252	1	11252	Strain Relief Bushing
19	1	11253	1	11253	Bumper
20	1	14322	1	14322	Ring
21	1	11900	1	11900	Nameplate (Logo)
23	1	11278	1	11278	Brush Card & Holder S/A (115 Volt)
	1	11781			Brush Card & Holder S/A (230 Volt)
24	3	7534	1	7534	Screw
25	3	1713	3	1713	Lock Washer
26	2	1477	2	1477	Nut
27	1	8220	1	8220	Plug (115 Volt)
	1	2563			Plug (230 Volt)
28	1	11270	1	11255	Armature (115 Volt)
	1	11272			Armature (230 Volt)
29	1	11271	1	11256	Field (115 Volt)
	1	11273			Field (230 Volt)
30	2	11415	2	11415	"U" Clip
31	2	11486	2	11251	Carbon Brush (115 Volt)
	2	11780			Carbon Brush (230 Volt)
32	2	11245	2	11245	Screw
33	4	11244	4	11244	Screw
34	1	940	1	940	Nut (Spaces Switch in Handle) Not Shown
35	1	5773	1	5773	Nut (Holds Switch to Handle) Not Shown
36	2	11570	2	11570	Brush Spg & Damper S/A
37	1	12602	1	12602	Felt Washer
38	1	12603	1	12603	Split washer
39	2	12439	2	12439	Screw
40	1	12601	1	12601	Bushing
41	1	11556	1	11556	Bearing
42	1	11555	1	11555	Gasket
43	1	11562	1	11563	Gasket
46	2	13022	2	13022	Brush Holder pad

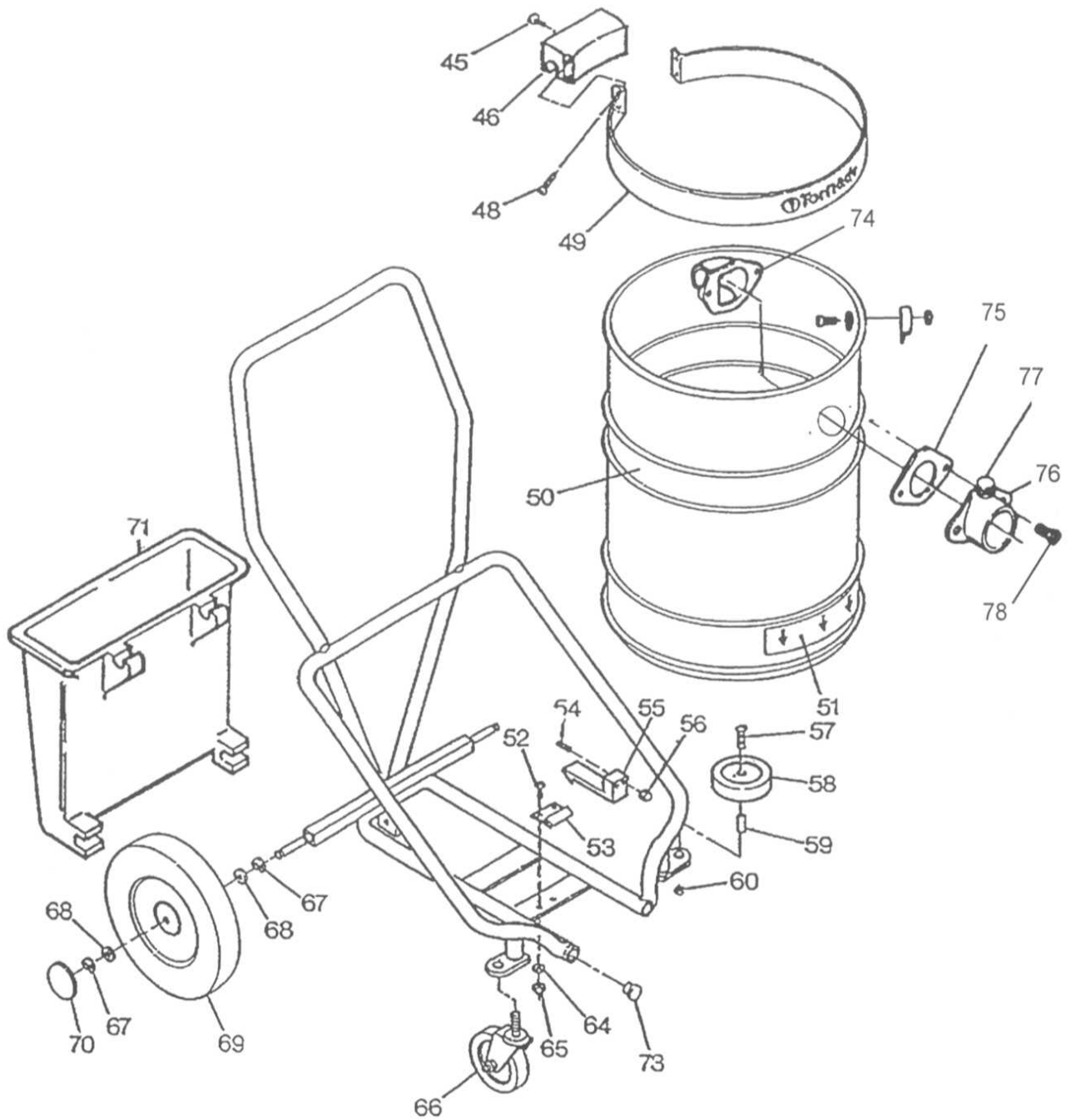
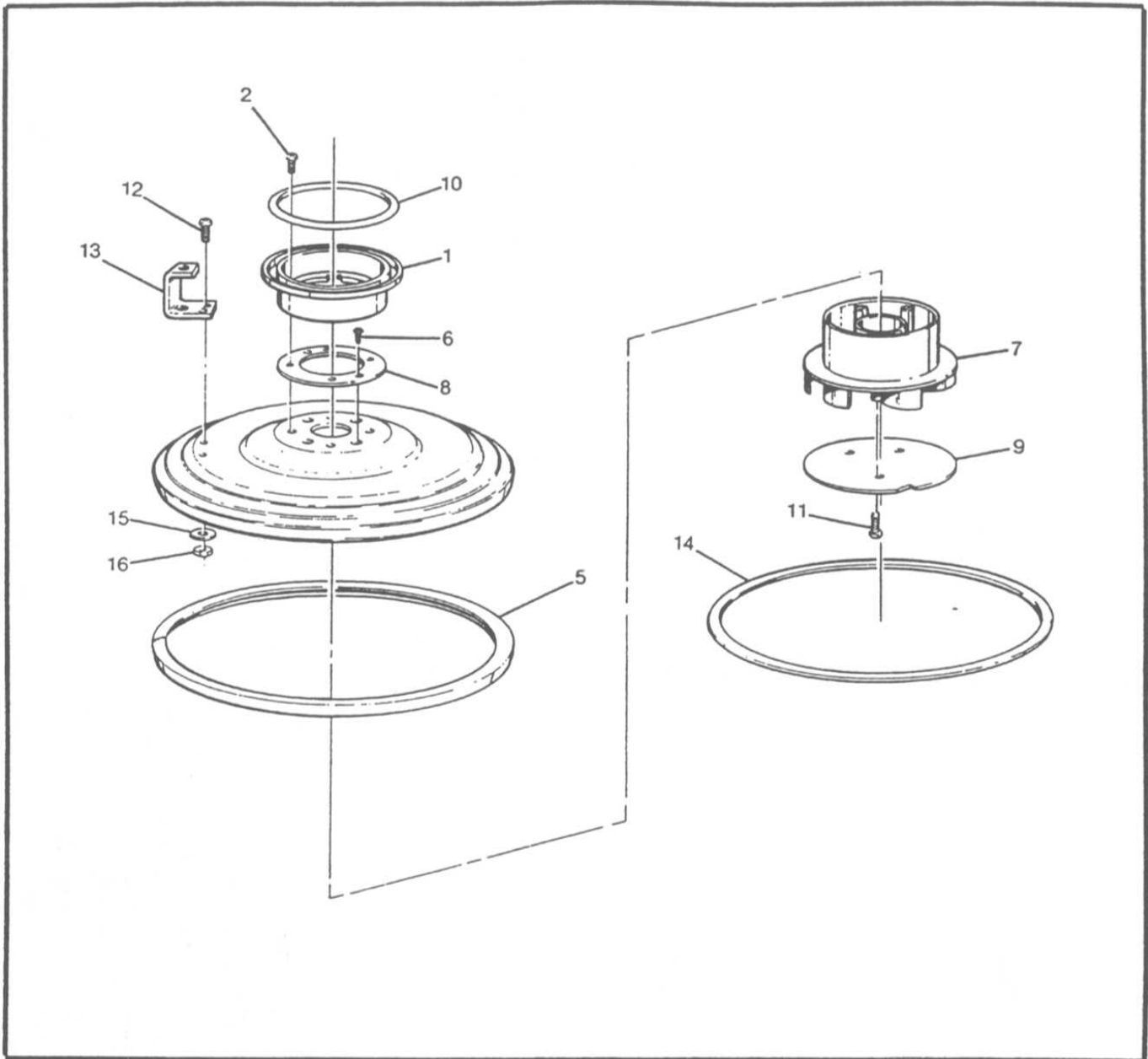


Figure No. 3 Carrier and Tank Assembly

PARTS LIST

ITEM NO.	PART NO.	DESCRIPTION	QTY.
45	03261	Screw 10-32X.38	1
46	17823	Pivot Block	1
48	11733	Screw 10-32X.88	4
49	18722	Tank Strap	1
50	92650	Tank, 18 gallon, Stainless w/Intake	1
	92654	Tank, 16 gallon, T-Lite w/Intake	1
51	14676	Tank Decal	1
52	03660	Screw 10-24X.44	2
54	16316	Set Screw 10-24X.50	3
55	17246	Latch	1
56	02167	Nut, acorn 10-24	2
57	01978	Screw 1/4-20X1 1/2	2
58	03264	Rub Wheel	2
59	17400	Bushing	2
60	07533	Locknut 1/4-20	2
53	17247	Catch	1
65	10594	Nut, lock 10-24	2
64	00696	Washer	2
69	02661	Wheel, 10"	2
73	17784	Tube plug	4
71	17817	Tool Basket	1
68	16581	Washer 1/2	4
70	03084	Hub Cap	2
67	02663	Ring "E"	4
66	17373	Caster 4"	2
*	17784	Tube Plug	2
74	02916	Intake Deflector	1
75	02915	Gasket	1
76	02914	Intake	1
77	08080	Intake Lock Sub-assembly	1
78	00064	Screw	2



(98850) TANK COVER

ITEM NO.	QTY.	PART NO.	DESCRIPTION
1	1	90480	ADAPTOR ASS'Y
2	4	2053	SCREW
3	4	1497	NUT - WELD
5	1	11700	BUMPER
6	4	11394	SCREW
7	1	11358	INTAKE GUIDE
8	1	11386	GASKET
9	1	11366	PLATE
10	1	8004	GASKET
11	3	11390	SCREW
12	2	86	SCREW
13	1	11414	BRACKET
14	1	11356	GASKET
15	2	7741	SEALING WASHER
16	2	01604	NUT - HEX

Warranty Registration Form

Please provide additional information on
Tornado equipment: (Check choices below)

- | | |
|---|---|
| <input type="checkbox"/> Automatic Scrubbers | <input type="checkbox"/> Sweepers |
| <input type="checkbox"/> Propane Floor Machines | <input type="checkbox"/> Rotary Floor Machine |
| <input type="checkbox"/> High Speed Burnishers | <input type="checkbox"/> Carpet Vacuums |
| <input type="checkbox"/> Carpet Extractors & Spotters | <input type="checkbox"/> Wet/Dry Vacs |
| <input type="checkbox"/> Steam Cleaners | <input type="checkbox"/> Jumbo Vacs |
| <input type="checkbox"/> Ride-On Equipment | <input type="checkbox"/> Pressure Washers |

See complete product info at www.tornadovac.com

Selling Dealer: (Required) _____

Please Print Clearly

Company/Institution	
Contact Name	Title
Address	City/State/Zip Code
Phone	Fax
Date of Purchase	Email

See white metal plate or sticker on unit for this information.

MACHINE TYPE/MODEL NUMBER:	MACHINE SERIAL NUMBER:
1. _____	1. _____
2. _____	2. _____
3. _____	3. _____
4. _____	4. _____

Facility Description (please circle all that apply)

1. School	9. Hospital	17. U.S. Govt.
2. Retail Store	10. Nursing Home	18. Other Govt.
3. Restaurant	11. Religious Institution	19. Auto Service
4. Office Building	12. Airport	20. Airport
5. Contract Cleaning	13. Warehouse	21. Non-Profit
6. Light Manufacturing	14. Apartment/Condo	22. Other (specify)
7. Heavy Manufacturing	15. Warehouse	
8. College/University	16. Supermarket	

How did you first learn about Tornado cleaning and maintenance equipment?	In square feet (<i>meters</i>)	
	Total Hard Floor Area	Total Carpeted Area Square feet (square meters)
<input type="checkbox"/> Contacted by local dealer <input type="checkbox"/> Previous experience with Tornado products <input type="checkbox"/> Reputation/ Recommendation <input type="checkbox"/> Advertising <input type="checkbox"/> Direct mail <input type="checkbox"/> Internet <input type="checkbox"/> Other	<input type="checkbox"/> 0-10,000 (0-930) <input type="checkbox"/> 10-50,000 (930-4,650) <input type="checkbox"/> 50-250,000 (4,650-23,250) <input type="checkbox"/> Over 250,000 (over 23,260)	<input type="checkbox"/> 0-10,000 (0-930) <input type="checkbox"/> 10-50,000 (930-4,650) <input type="checkbox"/> 50-250,000 (4,650-23,250) <input type="checkbox"/> Over 250,000 (over 23,260)

Damage or defect arising from abuse, neglect or other misuse is excluded from this warranty. Other items may or may not apply based on your specific machine. If any defect occurs, the warranty is voided if service is attempted by non-Authorized Tornado Service Centers.

Return to:
 Tornado Industries
 333 Charles Ct. Unit 109
 West Chicago, IL 60185
 Fax: (630)818-1301





Garantie limitée de protection de l'acheteur à long terme

Tornado Industries, LLC. (Tornado) garantit au client/à l'utilisateur final que les produits Tornado sont exempts de tout vice de matériaux et de main-d'œuvre pour la ou les durée(s) énoncée(s) ci-dessous. La présente garantie limitée NE COUVRE PAS les machines et/ou pièces sujettes à l'usure ou à la détérioration normale du temps, les dommages survenant pendant l'expédition, les défaillances ou pannes résultant de modifications, d'accidents, d'une utilisation dans un environnement inadapté, d'une mauvaise utilisation, d'abus, de négligence, ou d'un entretien inadéquat de votre part. Pour de plus amples informations, contactez votre distributeur autorisé, le Centre de réparation ou le Centre d'assistance technique de Tornado. Les représentants des ventes et des services de Tornado ne sont pas autorisés à renoncer ou à modifier les clauses de la présente garantie, ni à augmenter les obligations de Tornado en vertu de la présente garantie.

10 ans*
Réservoirs d'eau en plastique et corps rotomoulés

2 ans*
Pièces présentes dans tous les équipements de nettoyage Tornado

1 an*
Main-d'œuvre sur tous les équipements de nettoyage Tornado

1 an*
Batteries sous garantie, calculées au prorata pour un an
Toutes les garanties sur les batteries sont prises en charge directement par le fabricant des batteries, sur la base d'une année pro rata temporis

Conditions sujettes à modification sans préavis

1. À l'exception de toutes les souffleries Windshears™, Storm, TV 2, côté et rabattant, les souffleries isolantes, CV 30, CV 38, CK 14/1 PRO, CK 14/2 PRO, SWM 31/9, CK LW13/1, CV 38/48 Dual, PV6, PV10, et tous les chargeurs sont garantis pendant un (1) an aussi bien pour les pièces que pour la main-d'œuvre.
2. Toutes les pièces résistantes à l'usure achetées après l'expiration de la garantie sont garanties pendant 90 jours.
3. La garantie prend effet à la première des deux dates suivantes : date de la vente au consommateur ou, à la discrétion de Tornado, 6 mois après la date d'achat de l'unité par le vendeur à Tornado.
4. L'EB 30 est garanti pendant 90 jours, tant pour les pièces que pour la main-d'œuvre.
5. La garantie des moteurs utilisés sur les équipements fonctionnant au gaz propane est limitée à la garantie du fabricant du moteur.
6. Les laveuses auto-portées sont garanties pendant celle des durées suivantes qui expire la première : soit 24 mois pour les pièces, 6 mois pour la main-d'œuvre, soit 1 000 heures.

Remarque : Tornado, The Latest Dirt, Floorkeeper, Carpetkeeper, Carpetrinser, Carpetrinser/Dryer, Headmaster, Taskforce, PAC-VAC, T-Lite, Glazer, Windshear, Max-Vac et Trot-Mop sont des marques de Tornado Industries

Site Internet : www.tornadovac.com
Téléphone 1-800-VACUUMS
Télécopie (630) 818-1301
Adresse 333 Charles Court Suite 109
West Chicago, IL 60185

REMARQUES

Caractéristiques techniques

L'aspirateur à filtre externe Taskforce est un aspirateur industriel à matières sèches/liquides à haut rendement. Il absorbe simultanément les déchets liquides et secs sans qu'il soit nécessaire de remplacer le moindre filtre. Les déchets plus conséquents sont recueillis dans le tambour, les particules plus légères étant piégées dans le filtre externe. Les moteurs d'aspiration 2,25 CV génèrent un débit PCM maximal pour la puissance de ramassage. Cette unité prend en charge avec facilité une importante variété de déchets, depuis les poudres fines jusqu'aux produits ayant un grade de viscosité élevé. Le chariot transporteur en acier protège le réservoir de 60,7 l (16 gal.) et est pourvu d'un panier pour le rangement des accessoires. Les grandes roues arrières et les roues avant pivotantes sur 360 degrés facilitent l'utilisation et le transport. L'unité est compatible avec les tuyaux et les accessoires de 1,5" à 2". Les options disponibles incluent une large gamme de tuyaux et d'accessoires de 1,5" à 2".

Caractéristiques techniques de l'unité

LE 98995 INCLUT :

98904 Moteur de ventilation 2,25 CV
98850 Couvercle de réservoir
90377 1268 po. carrés (0,8 m. carrés) Filtre multi-phases
98186 Chariot transporteur « incliner et verser » avec panier
92654 Tambour T-Lite de 60,7 l (16 gal.)

ACCESSOIRES SUPPLÉMENTAIRES INCLUS :

90573 Flotteur d'arrêt du liquide avec cuvette à mousse
90684 Tuyau en uréthane 1,5" x 15'
90682 Tube-rallonge en aluminium 1,5 x 4'
90644 Raclor T-Lite 1,5"
90642 Châssis en fibre T-Lite 14"
90414 Buse ronde 18"

AMPÈRES	15
RPM	15 750
PUISSANCE	2,25
PCM	146 @ tuyau 2", 184 @ tuyau 3"
ÉLÉVATEUR À EAU STATIQUE	51"
ZONE DE FILTRATION EXTERNE	1268 pi. carrés (0,8 m carrés)
PORTÉE HORIZONTALE	30 pi. (9 m)
CORDON D'ALIMENTATION	50 pi. (15 m) 14 gal. (53 l) 3 câbles
POIDS	65 lb (24,5 kg)
Taille du réservoir	60,7 l / 16 gal. T-lite

Caractéristiques

- Capable de ramasser simultanément des matières sèches et liquides lorsque le filtre externe est installé.
- L'unité a été construite pour ramasser de l'eau ou d'autres liquides sans aucun ajustement préalable. Un système d'arrêt du liquide est disponible.
- Idéal pour les poudres comme pour les copeaux métalliques, de meulage et de rabotage huileux.
- Ramasse aussi bien de l'eau que des huiles avec un grade de viscosité intermédiaire.
- Le filtre externe collecte les particules plus légères et empêche l'obstruction.
- Le tambour recueille les déchets plus lourds (environ 95 % du ramassage), les particules plus légères étant collectées par le filtre externe.
- Conçu pour un débit PCM élevé (pied cube par minute) et une aspiration modérée (élévateur à eau statique).

INSTRUCTIONS DE SÉCURITÉ IMPORTANTES

VEUILLEZ LIRE ET COMPRENDRE L'ENSEMBLE DES INSTRUCTIONS AVANT DE PROCÉDER À L'UTILISATION DE CET APPAREIL

Veillez lire et comprendre le présent manuel de l'utilisateur et toutes les étiquettes situées sur l'appareil avant de procéder à son utilisation. La sécurité est une association de bon sens, d'attention soutenue et de connaissance de la façon dont votre appareil fonctionne. Utilisez cet appareil uniquement selon les recommandations détaillées dans le présent manuel. Pour réduire le risque de dommages aux personnes ou à votre appareil, utilisez seulement les accessoires recommandés.

Pour usage commercial seulement,

CONSERVEZ CE MANUEL POUR VOUS Y RÉFÉRER ULTÉRIEUREMENT

Lorsque vous utilisez un appareil électrique, vous devez toujours respecter certaines précautions de base, y compris :

ATTENTION : POUR RÉDUIRE LE RISQUE D'INCENDIE, DE DÉCHARGE ÉLECTRIQUE OU DE BLESSURES :

- Utilisez l'appareil uniquement selon les recommandations détaillées dans le présent manuel. N'utilisez que des accessoires recommandés par le fabricant.
- N'utilisez pas cet appareil à proximité de liquides, de gaz inflammables ou de vapeurs explosives tels que l'essence ou d'autres carburants, des fluides légers, des nettoyants, des peintures à base d'huile, du gaz naturel, de l'hydrogène, ou des poussières explosives telles les poussières de charbon, de magnésium, de grains ou de la poudre noire. Les étincelles dans le moteur peuvent enflammer les vapeurs ou les poussières inflammables.
- Maintenez le cordon à l'écart des surfaces chauffées.
- N'exposez pas l'appareil aux intempéries. Rangez-le à l'intérieur.
- Ne débranchez pas l'appareil en tirant sur le cordon. Pour le débrancher, saisissez la prise.
- N'utilisez pas l'appareil avec une fiche électrique, un cordon d'alimentation ou d'autres pièces endommagé(e)s.
- Si l'appareil ne fonctionne pas comme il le devrait, s'il est tombé, s'il est endommagé, s'il est resté exposé aux intempéries ou s'il est tombé à l'eau, renvoyez-le à un centre de réparation.
- Ne le tirez pas et ne le soulevez pas par le cordon d'alimentation, n'utilisez pas le cordon comme une poignée, ne fermez pas une porte sur le cordon, et ne tirez pas le cordon sur des bords ou des coins saillants.
- Ne faites pas rouler l'appareil sur le cordon.
- Ne manipulez pas la fiche ou l'appareil avec les mains mouillées.
- Pour réduire le risque de dangers sanitaires venant de vapeurs ou de poussières, n'aspirez pas de matières toxiques.
- Ne rangez pas l'appareil à proximité de matières dangereuses.
- N'utilisez pas l'appareil avec un filtre déchiré ou sans avoir installé le filtre, excepté pour l'aspiration de liquides tel que décrit dans la section Fonctionnement de ce manuel.
- Ne laissez pas de jeunes enfants manipuler l'appareil. Il est nécessaire de rester vigilant lorsque l'appareil est utilisé par ou en présence d'un enfant.
- Pour réduire le risque de blessures résultant d'un démarrage accidentel, débranchez le cordon d'alimentation avant de nettoyer, de faire des réglages ou d'effectuer des réparations.
- Ne laissez pas l'unité sans surveillance lorsqu'elle est branchée. Débranchez l'unité de la prise murale lorsqu'elle n'est pas utilisée et avant tout entretien.
- Éteignez l'appareil avant de le débrancher.
- N'introduisez aucun objet dans les prises d'air de ventilation. Ne faites pas fonctionner l'appareil avec des prises d'air de ventilation obstruées ; éliminez-en les poussières et les peluches, les cheveux et tout matériau qui pourrait réduire le flux d'air.
- Maintenez les cheveux, les vêtements amples, les doigts et toutes les parties du corps à l'écart des ouvertures et des pièces mobiles.
- Pour réduire le risque de chutes, soyez particulièrement prudent(e) lorsque vous utilisez l'appareil dans des escaliers.
- N'aspirez pas de cendres chaudes, de charbon, de substances toxiques ni de matières inflammables ou dangereuses.
- Raccordez-le uniquement à une source d'alimentation correctement mise à la terre. Reportez-vous aux instructions de mise à la terre.
- Ne faites jamais fonctionner l'appareil avec l'admission d'air non protégée. Une aspiration forte attirera les doigts et/ou les vêtements vers les pales et les autres parties mobiles.
- Orientez toujours l'orifice d'échappement dans une direction sûre. L'air s'échappe à très grande vitesse.
- Portez toujours des lunettes de protection lorsque vous vous trouvez à proximité de l'appareil.
- Si l'unité est portative, tenez-la fermement lors du démarrage. Un couple de démarrage élevé provoquera une mise en mouvement brusque de l'unité susceptible d'entraîner des blessures ou des dommages.



MISE EN GARDE: le non respect de ces instructions peut entraîner des blessures physiques ou des dégâts matériels graves.

AVANT DE METTRE EN MARCHÉ L'APPAREIL

Lisez complètement ce manuel avant d'essayer de faire fonctionner la machine. Ce manuel contient des informations importantes concernant l'utilisation et le fonctionnement de l'appareil en toute sécurité. Conservez ce manuel à portée de main. Si vous avez besoin de renseignements supplémentaires, veuillez contacter votre distributeur local ou appeler :

TORNADO INDUSTRIES (630) 818-1300 330
109 CHARLES COURT SUITE 109 Télécopie : (630) 818-1301
WEST CHICAGO, IL 60185 www.tornadovac.com

Instructions de mise à la terre

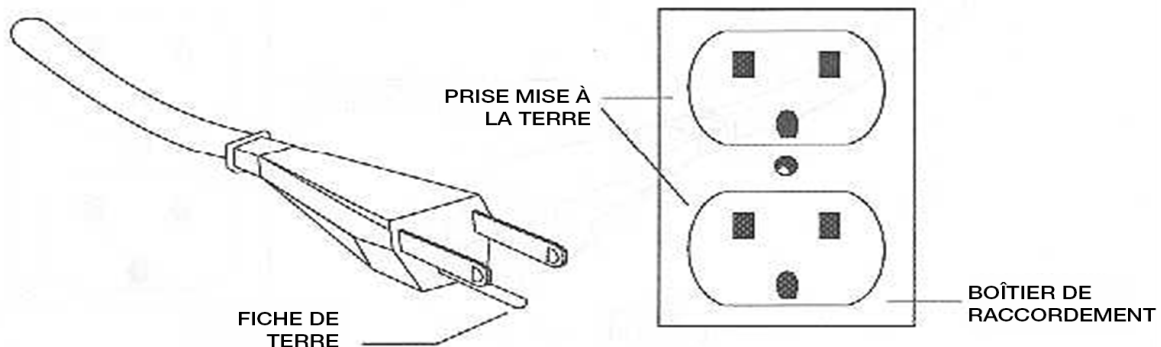


MISE EN GARDE: une mauvaise connexion du conducteur de mise à la terre peut engendrer un risque de choc électrique. Vérifiez auprès d'un électricien qualifié ou d'un technicien de service si vous avez un doute sur la bonne mise à terre de la prise. Ne modifiez pas la fiche fournie avec l'appareil, si elle ne rentre pas dans la prise, faites installer une prise adéquate par un électricien qualifié.

En cas de dysfonctionnement ou de panne, la mise à la terre fournit un chemin de moindre résistance au courant électrique de manière à réduire le risque d'électrocution. Cet appareil est équipé d'un cordon d'alimentation lui-même équipé d'un conducteur de mise à la terre et d'une fiche de terre. La fiche doit être insérée dans une prise adaptée qui a été correctement montée et mise à la terre conformément aux normes et règlements locaux.

ATTENTION - Un mauvais raccordement de l'appareil au conducteur de mise à la terre peut entraîner un risque de choc électrique. Si vous ne savez pas si la prise est correctement mise à la terre, vérifiez auprès d'un électricien ou d'un technicien de maintenance qualifié. Ne modifiez pas la fiche fournie avec l'appareil - si elle ne rentre pas dans la prise, faites installer une prise adaptée par un électricien qualifié.

Cet appareil est conçu pour être utilisé sur un circuit nominal de 120 volts et dispose d'une fiche de terre qui ressemble à la fiche illustrée sur le croquis (A). Assurez-vous que l'appareil est raccordé à une prise ayant la même configuration que la fiche. Aucun adaptateur ne doit être utilisé avec cet appareil.



Installation et fonctionnement de la tête

MONTAGE DE L'ENSEMBLE TÊTE ET TAMBOUR

1. Retirez tous les composants de leur emballage.
REMARQUE : Le chariot transporteur, le réservoir et le couvercle de réservoir viennent tous pré-assemblés les uns avec les autres.

2. Le moteur de ventilation est livré pré-monté sur le couvercle du réservoir. Assurez-vous que la buse d'évacuation est dirigée vers l'extérieur. Pour détacher et libérer le moteur de ventilation du couvercle du tambour, tournez-le dans le sens inverse des aiguilles d'une montre.

3. Installez le filtre externe en installant le collier d'admission sur la buse d'évacuation. Tournez le collier dans le sens des aiguilles d'une montre pour le bloquer. Ne tordez pas le filtre.

4. Connectez la partie supérieure du filtre à la poignée du chariot transporteur.

METTRE EN MARCHÉ / ARRÊTER L'APPAREIL

1. Branchez le cordon d'alimentation du moteur de ventilation dans une prise murale de 20 amp.

2. Démarrez l'appareil en tournant l'interrupteur ON/OFF situé sur le moteur de ventilation en position ON.

3. Arrêtez l'appareil en tournant l'interrupteur ON/OFF situé sur le moteur de ventilation en position OFF.

RÈGLES DE FONCTIONNEMENT

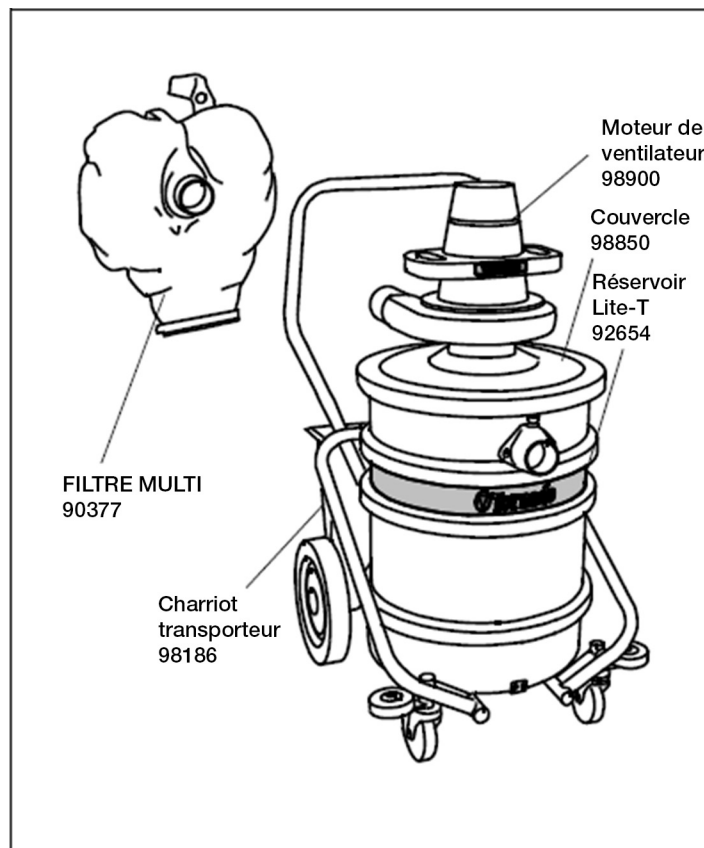
Utiliser des tuyaux et accessoires de 1,5" à 2".

Utiliser pour ramasser de l'eau et des huiles avec un grade de viscosité léger.

Utiliser pour ramasser des poudres et des copeaux métalliques.

Utiliser un système de réservoir supplémentaire Tornado #94655 pour ramasser des fines poudres sèches. La mise à la terre et la décharge d'électricité statique sont requises lorsque vous ramassez des poudres. Utilisez les tuyaux conducteurs d'électricité statique de la marque TORNADO (en uréthane ou néoprène) et mettez à la terre la tête d'aspiration et l'ensemble du réservoir.

Les rallonges électriques doivent être plus résistantes que le cordon d'alimentation, avec une longueur maximale de 15 mètres (50 pi.).



Directives de dépannage

<u>Problème</u>	<u>Solution</u>
1. La machine ne fonctionne pas	Assurez-vous que le cordon d'alimentation est branché dans une prise électrique en état de marche. Vérifiez que le cordon d'alimentation n'est pas défectueux.
2. L'appareil cesse de fonctionner	Assurez-vous que le cordon d'alimentation est branché dans une prise électrique en état de marche ; vérifiez le disjoncteur ; inspectez l'usure de l'armature de balai et l'état du cordon.
3. La machine n'aspire pas	Vérifiez si le tuyau n'est pas obstrué ou plié, si l'admission du moteur n'est pas bouchée, si le tambour n'est pas défectueux et assurez-vous de l'absence de matériaux trop lourds dans l'appareil.
4. Le moteur de ventilation surchauffe	Veillez à ce que la longueur de l'armature de balai soit adéquate (reportez-vous à la section Entretien), à la bonne ventilation du moteur et la longueur du cordon d'alimentation (12-3 minimum).
5. L'appareil a une faible capacité de ramassage	Vérifiez si le tuyau et les accessoires ont un calibre adéquat, repérez d'éventuels joints mal serrés, et vérifiez si le tambour n'est pas défectueux ainsi que la présence de matériaux trop lourds pour l'appareil. Inspectez le filtre externe. Videz et nettoyez-le si nécessaire. Inspectez l'étanchéité du couvercle (joint). Vérifiez si le tuyau et les accessoires ne sont pas endommagés ou usés Inspectez la position de verrouillage du moteur de ventilation sur le couvercle Jumbo. Inspectez la position de verrouillage du/des filtre(s) externe(s) sur le moteur de ventilation. Inspectez tous les joints pour repérer d'éventuelles traces d'usure ou de dommage.

Entretien

ENTRETIEN DU MOTEUR

Reportez-vous à la Figure n° 2.

Continuer à utiliser des balais carbone usés alors que leur longueur devient inférieure à 1/4" du fait que l'usure entraîne inévitablement l'endommagement de l'armature. Pour éviter ce type de dégât, inspectez les balais après les premières 200 heures d'utilisation puis fréquemment par la suite, en les remplaçant dès que cela s'avère nécessaire. Le non-respect de cette recommandation entraînera l'annulation de la garantie.

COMMENT INSPECTER LES BROSSES

1. Débranchez de la prise le cordon électrique du ventilateur.
2. Retirez les deux vis (39) situées sur le couvercle supérieur (7).
- 3 Tirez la pince en U (ressort hélicoïdal) (30) pour libérer le balai de carbone (carte à balai) (31).
- 4 Retirez les deux balais (31) et vérifiez leur longueur.
- 5 Remplacez-les si nécessaire.

VEUILLEZ NOTER qu'aucun autre entretien du moteur ne devrait être effectué au cours de la première année suivant l'achat de l'appareil (reportez-vous à la garantie). Tout autre type d'entretien devrait être effectué par un centre de services autorisé par TORNADO.

ENTRETIEN DU FILTRE EXTERNE

Pour une efficacité de fonctionnement optimale et pour prolonger la durée de vie de l'appareil, retirez le filtre et videz-le en détachant la pince inférieure après chaque utilisation.

AUTRE ENTRETIEN

Utilisez uniquement des rallonges électriques mises à la terre à trois broches et des prises électriques à trois pôles adaptées à la fiche de l'appareil. Les rallonges électriques doivent être identiques au cordon d'alimentation ou plus résistantes. Remplacez tout cordon endommagé.

Videz et nettoyez l'aspirateur, le filtre et les accessoires après chaque utilisation journalière pour une performance optimale.

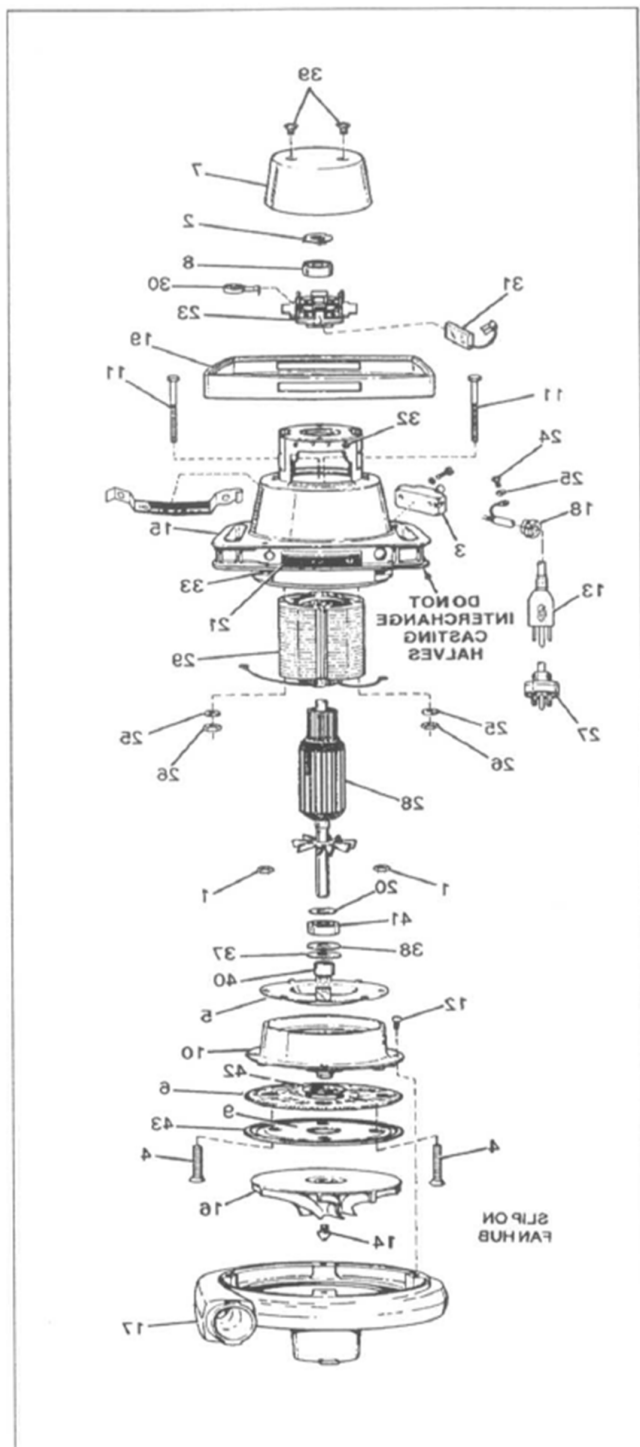


Figure n° 2 Moteur de ventilation

	NUMÉRO DE CODE			TENSION	
	8800H		98904	115 V	
	8801 H			230 V	
NUMÉRO D'ÉLÉMENT	QTÉ	NUMÉRO DE PIÈCE	QTÉ	NUMÉRO DE PIÈCE	DESCRIPTION
1	4	7533	4	7533	Écrou
2	1	7858	1	7858	Ressort de suspension
3	1	8516	1	8516	Interrupteur
4	4	11276	4	11197	Vis
5	1	11268	1	11198	Défecteur de ventilateur de refroidissement
6	1	11269	1	11199	Tampon de fibre de verre
7	1	12436	1	12436	Capot supérieur
8	1	11236	1	11236	Palier
9	1	11274	1	11237	Plaque de chambre de ventilateur
10	1	12604	1	12644	Plaque de fermeture S/A
11	2	11275	2	11239	Vis d'inducteur
12	4	11240	4	11240	Vis
13	1	11241	1	11241	Câble (115 Volts)
	1	11449			Câble (230 Volts)
14	1	11242	1	11242	Arbre de ventilateur
15	1	11243	1	11243	Boîtier du moteur de ventilation S/A
16	1	12605	1	12692	Ventilateur -
17	1	12645	1	12614	Chambre de ventilateur
18	1	11252	1	11252	Manchon compression-décompression
19	1	11253	1	11253	Butoir
20	1	14322	1	14322	Bague
21	1	11900	1	11900	Plaque signalétique (logo)
23	1	11278	1	11278	Carte de balai et support (S/A) (115 Volts)
	1	11781			Carte de balai et support S/A (230 Volts)
24	3	7534	1	7534	Vis
25	3	1713	3	1713	Rondelle de blocage
26	2	1477	2	1477	Écrou
27	1	8220	1	8220	Fiche (115 Volts)
	1	2563			Fiche (230 Volts)
28	1	11270	1	11255	Armature (115 Volts)
	1	11272			Armature (230 Volts)
29	1	11271	1	11256	Inducteur (115 Volts)
	1	11273			Inducteur (230 Volts)
30	2	11415	2	11415	Pince en U
31	2	11486	2	11251	Balai de carbone (115 Volts)
	2	11780			Balai de carbone (230 Volts)
32	2	11245	2	11245	Vis
33	4	11244	4	11244	Vis
34	1	940	1	940	Écrou (commutateur spatial sur poignée) non illustré
35	1	5773	1	5773	Écrou (commutateur de maintien sur poignée) non illustré
36	2	11570	2	11570	Ressort et amortisseur de balai S/A
37	1	12602	1	12602	Rondelle de feutre
38	1	12603	1	12603	Rondelle élastique
39	2	12439	2	12439	Vis
40	1	12601	1	12601	Manchon
41	1	11556	1	11556	Palier
42	1	11555	1	11555	Joint
43	1	11562	1	11563	Joint
46	2	13022	2	13022	Tampon porte-balai

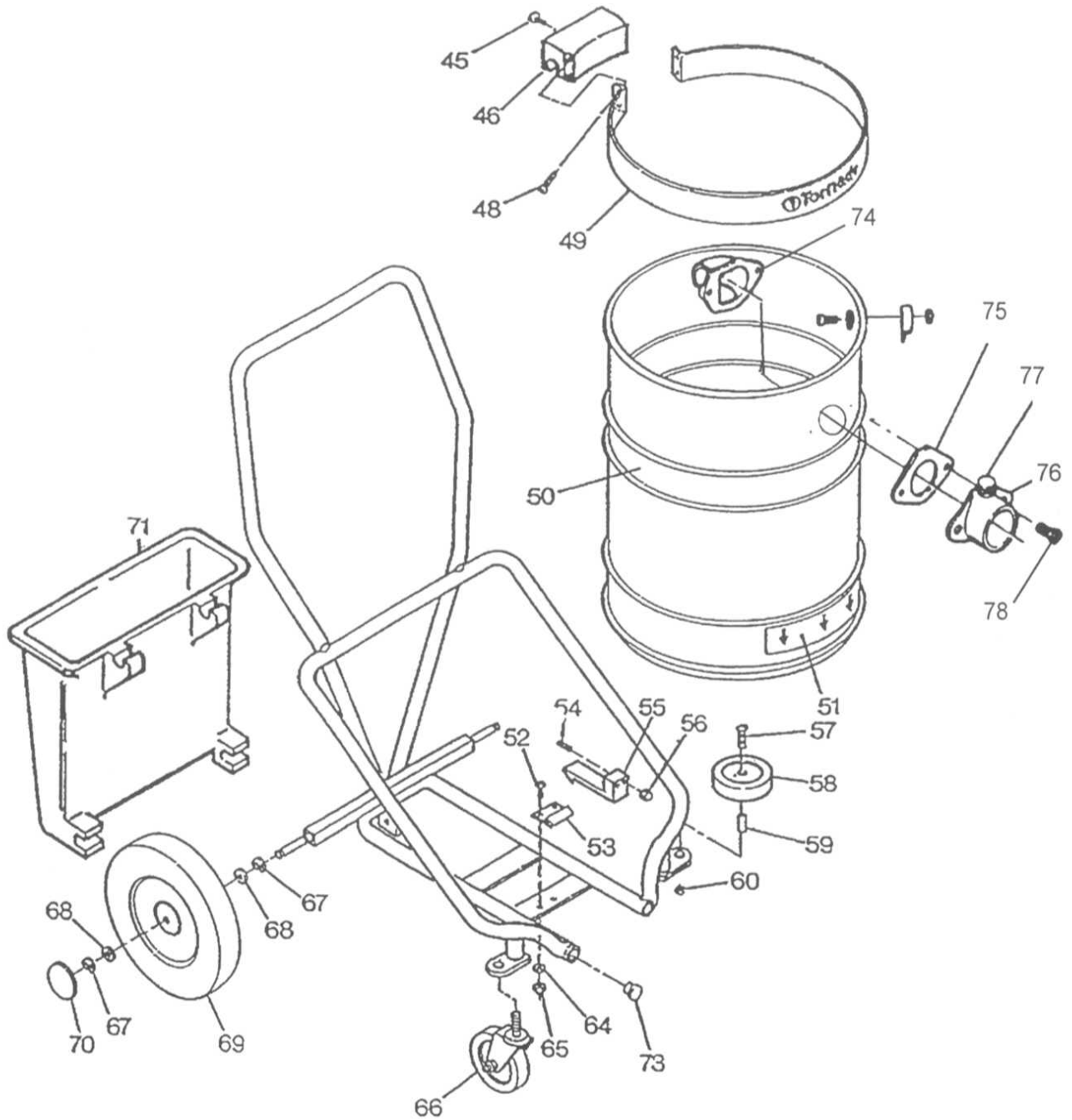
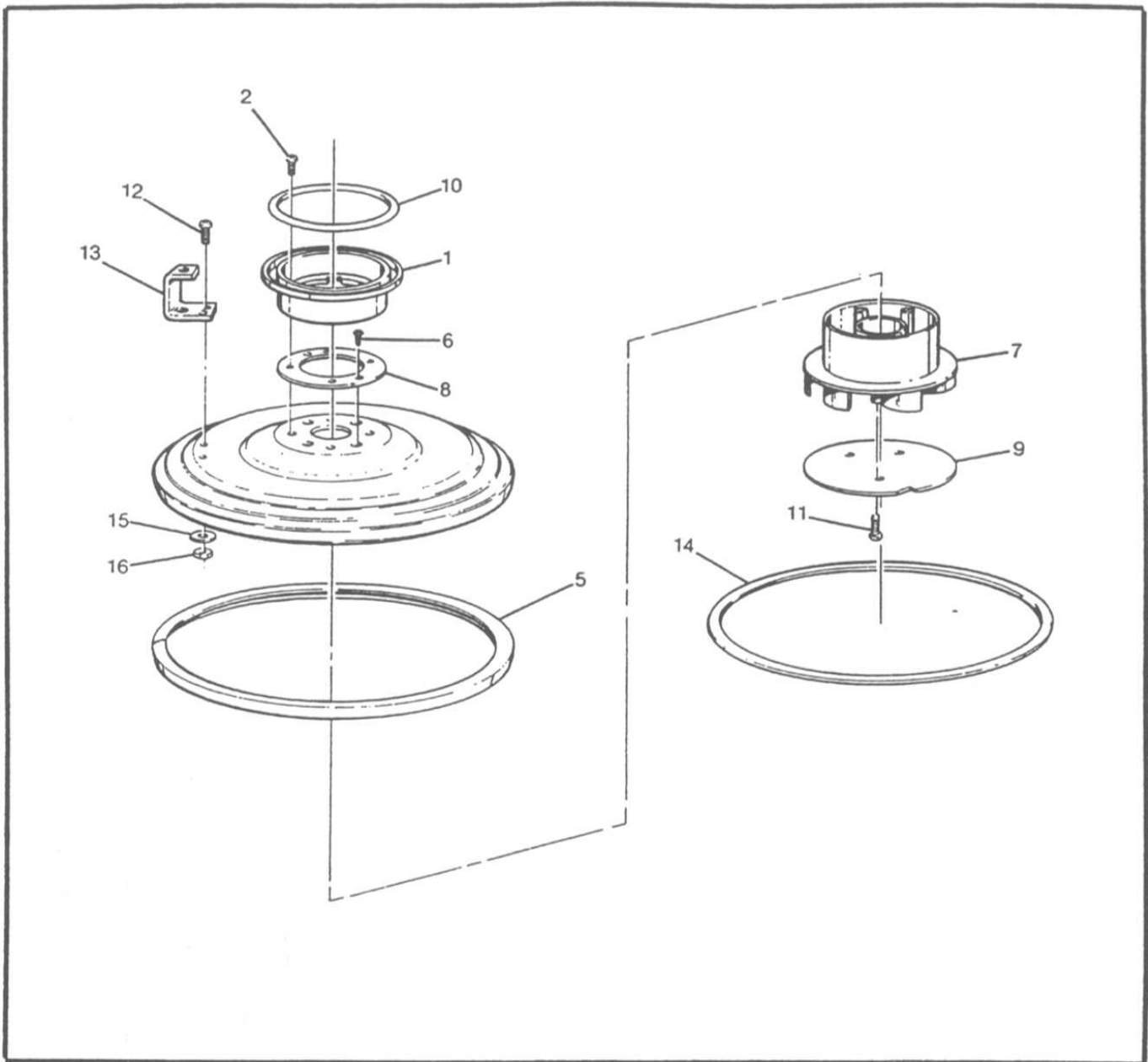


Schéma n° 3 Assemblage du réservoir et du chariot transporteur

LISTE DES PIÈCES			
NUMÉRO D'ÉLÉMENT	NUMÉRO DE PIÈCE	DESCRIPTION	QTÉ
45	03261	Vis 10-32X.38	1
46	17823	Bloc pivotant	1
48	11733	Vis 10-32X.88	4
49	18722	Étrier du réservoir	1
50	92650	Réservoir, 68 (18 gal.), acier inoxydable avec admission	1
	92654	Réservoir, 60,7 (16 gal.), acier inoxydable avec admission	1
51	14676	Étiquette du réservoir	1
52	03660	Vis 10-24X.44	2
54	16316	Jeu de vis 10-24X 50	3
55	17246	Loquet	1
56	02167	Écrou borgne 10-24	2
57	01978	Vis 1/4-20X11/2	2
58	03264	Roue de frottement	2
59	17400	Manchon	2
60	07533	Contre-écrou 1/4-20	2
53	17247	Cliquet	1
65	10594	Contre-écrou 10-24	2
64	00696	Rondelle	2
69	02661	Roue 10"	2
73	17784	Bouchon de tube	4
71	17817	Panier	* 1
68	16581	Rondelle 1/2	4
70	03084	Cache-moyeu	2
67	02663	Bague « E »	4
66	17373	Roulette 4"	2
*	17784	Bouchon de tube	2
74	02916	Défecteur d'admission	1
75	02915	Joint	1
76	02914	Admission	1
77	08080	Sous-ensemble verrou d'admission	1
78	00064	Vis	2



(98850) COUVERCLE DE RÉSERVOIR

NUMÉRO D'ÉLÉMENT	QTÉ	NUMÉRO DE PIÈCE	DESCRIPTION
1	1	90480	ENSEMBLE ADAPTATEUR
2	4	2053	VIS
3	4	1497	ÉCROU À SOUDER
5	1	11700	BUTOIR
6	4	11394	VIS
7	1	11358	GUIDE D'ADMISSION
8	1	11386	JOINT
9	1	11366	PLATEAU
10	1	8004	JOINT
11	3	11390	VIS
12	2	86	VIS
13	1	11414	SUPPORT
14	1	11356	JOINT
15	2	7741	RONDELLE D'ÉTANCHÉITÉ
16	2	01604	ÉCROU HEXAGONAL

Formulaire d'enregistrement de la garantie

Merci de fournir des renseignements complémentaires sur l'appareil Tornado :
(cochez les choix ci-dessous)

- | | |
|---|---|
| <input type="checkbox"/> Brosseuses automatiques | <input type="checkbox"/> Balayeurs |
| <input type="checkbox"/> Appareils de nettoyage des sols au propane | <input type="checkbox"/> Appareil rotatif de nettoyage des sols |
| <input type="checkbox"/> Brunissoirs haute vitesse | <input type="checkbox"/> Aspirateurs pour tapis et moquettes |
| <input type="checkbox"/> Extracteurs et détacheurs pour moquettes | <input type="checkbox"/> Aspirateurs de liquides/de débris secs |
| <input type="checkbox"/> Nettoyeurs à vapeur | <input type="checkbox"/> Aspirateurs géants |
| <input type="checkbox"/> Équipement auto-porté | <input type="checkbox"/> Laveuses à pression |

Consultez les informations complètes relatives aux produits sur la page www.tornadovac.com

Concessionnaire : (obligatoire) _____

Veillez à écrire lisiblement

Société/Institution	
Nom du contact	Titre
Adresse	Ville/État/Code postal
Téléphone	Télécopie
Date d'achat	Courriel

Veillez consulter la plaque métallique blanche ou l'autocollant sur l'unité pour compléter les informations suivantes.

TYPE D'APPAREIL/NUMÉRO DE MODÈLE :	NUMÉRO DE SÉRIE DE L'APPAREIL :
1.	1.
2.	2.
3.	3.
4.	4.

Description de l'infrastructure (veuillez entourer toutes les options applicables)

- | | | |
|-------------------------------|--------------------------------------|-------------------------------------|
| 1. École | 9. Hôpital | 17. Gouvernement |
| 2. Magasin de vente au détail | 10. Maison de repos | 18. Autres installations publiques |
| 3. Restaurant | 11. Institution religieuse | 19. Centre de service automobile |
| 4. Immeuble de bureaux | 12. Aéroport | 20. Aéroport |
| 5. Services de nettoyage | 13. Entrepôt | 21. Organisation à but non lucratif |
| 6. Industrie légère | 14. Appartement/unité de copropriété | 22. Autre (spécifier) |
| 7. Industrie lourde | 15. Entrepôt | |
| 8. Collège/Université | 16. Supermarché | |

Comment avez-vous été amené(e) à utiliser les équipements de nettoyage et d'entretien Tornado ?	En pieds (mètres) carrés	
	Surface totale du plancher dur	Surface totale moquettée Pieds carrés (mètres carrés)
<ul style="list-style-type: none"> <input type="radio"/> Contacté(e) par un revendeur local <input type="radio"/> Expérience préalable avec les produits Tornado <input type="radio"/> Réputation/Recommandation <input type="radio"/> Publicité <input type="radio"/> Courrier postal direct <input type="radio"/> Internet <input type="radio"/> Autre 	<ul style="list-style-type: none"> <input type="radio"/> 0 à 10 000 (0 à 930) <input type="radio"/> 10 à 50 000 (930 à 4 650) <input type="radio"/> 50 à 250 000 (4 650 à 23 250) <input type="radio"/> Plus de 250 000 (plus de 23 260) 	<ul style="list-style-type: none"> <input type="radio"/> 0 à 10 000 (0 à 930) <input type="radio"/> 10 à 50 000 (930 à 4 650) <input type="radio"/> 50 à 250 000 (4 650 à 23 250) <input type="radio"/> Plus de 250 000 (plus de 23 260)

Tout dommage ou défaut résultant d'une utilisation abusive, d'une négligence ou de toute autre utilisation inappropriée est exclu de la présente garantie. Les autres clauses peuvent ou non s'appliquer en fonction de l'appareil spécifique que vous utilisez. En cas d'avarie, la garantie est annulée si les réparations sont effectuées dans un centre de réparation non autorisé par Tornado.

Renvoyer le produit à l'adresse suivante :
Tornado Industries
333 Charles Ct. Unit 109
West Chicago, IL 60185
Télécopie : (630)818-1301





Garantía de Protección Limitada de Largo Plazo para el Comprador

Tornado Industries, LLC (Tornado) garantiza al cliente o usuario final que los productos Tornado están libres de defectos de materiales y mano de obra durante los plazos que se describen a continuación. Esta garantía limitada **NO** cubre la maquinaria ni los componentes por desgaste normal debido al uso, daño ocurrido durante el envío, fallas que resulten de modificaciones al equipo, accidentes, ambiente inadecuado de operación, uso inadecuado, abuso, negligencia o mantenimiento inapropiado del usuario. Para obtener más información, comuníquese con su distribuidor autorizado de Tornado, centro de servicio o el Departamento de Servicio Técnico de Tornado. Los representantes de ventas y servicio de Tornado no están autorizados para anular ni alterar los términos de esta garantía ni para aumentar las obligaciones de Tornado establecidas en la garantía.

10 años*
Depósitos de agua de plástico y cuerpos de moldeo rotatorio

2 años*
Piezas en todo el equipo de limpieza de Tornado

1 año*
Mano de obra en todo el equipo de limpieza de Tornado

1 año*
Garantía para las baterías, un año prorrateado
Todas las garantías de las baterías están a cargo del fabricante de las baterías, y están prorrateadas a un año.

Términos sujetos a cambios sin previo aviso.

1. Salvo todos los sopladores Windshears™, los Storm, TV 2, los sopladores de corriente descendente y lateral, los sopladores de aislamiento, los CV 30, CV 38, CK14/1 PRO, CK 14/2 PRO, SWM 31/9, CK LW13/1, CV 38/48 dual, PV6, PV10 y todos los cargadores tienen una garantía por un (1) año para las piezas y la mano de obra.
2. Todas las piezas, que no se desgasten y hayan sido compradas después del vencimiento de la garantía, tienen una garantía de 90 días.
3. La garantía comienza a partir de la fecha de venta al consumidor o, a discreción de Tornado, 6 meses después de que el distribuidor compre la unidad a Tornado, lo que ocurra primero.
4. El EB 30 tiene una garantía de 90 días, tanto para las piezas como para la mano de obra.
5. La garantía para los motores de los equipos que funcionan con propano está limitada a la garantía del fabricante del motor.
6. Las fregadoras con conductor tienen una garantía de 24 meses, garantía por piezas y 6 meses o 1000 horas de mano de obra, lo que ocurra primero.

Nota: Tornado, The Latest Dirt, Floorkeeper, Carpetkeeper, Carpetrinser, Carpetrinser/Dryer, Headmaster, Taskforce, PAC-VAC, T-Lite, Glazer, Windshear, Max-Vac y Trot-Mop son marcas registradas de Tornado Industries.

Sitio web: www.tornadovac.com
Teléfono: 1-800-VACUUMS
Fax: (630) 818-1301
Dirección: 333 Charles Court Suite 109
West Chicago, IL 60185



NOTAS

Especificaciones Generales

La aspiradora eléctrica con filtro externo Taskforce es una aspiradora industrial de alta resistencia para superficies secas/mojadas. Recoge residuos húmedos y secos en simultáneo sin la necesidad de cambiar el filtro. Los residuos más pesados se asientan en el tambor, mientras las partículas más ligeras quedan atrapadas en los filtros externos. Los motores de la aspiradora de 2.25 HP crean muchísimos CFM para la potencia de recogida. Esta unidad maneja una amplia variedad de residuos con facilidad, que van desde polvos finos hasta productos de viscosidad alta. El soporte de acero protege el depósito de 16 galones T-lite y tiene una cesta adjunta. Las grandes ruedas posteriores y las ruedecillas pivotantes giratorias de 360° facilitan la operación y el transporte. Tiene capacidad para mangueras y accesorios de 1.5" y 2". Las opciones incluyen una amplia variedad de mangueras y accesorios de 1.5" y 2".

Especificaciones de la Unidad

LA UNIDAD 98995 INCLUYE:

98904 Motor del soplador de 2.25 HP
98850 Cubierta del depósito
90377 Filtro de poliéster de 1268 pulgadas cuadradas
98186 Soporte de acero para inclinar y verter
c/cesta92654 Depósito de 16 galones T-Lite

LOS ACCESORIOS ADICIONALES INCLUYEN:

90573 Flotador de suspensión de líquido c/bandeja para agua de lavado
90684 Manguera de uretano de 1.5" x 15'
90682 Vara de aluminio de 1.5" x 4'
90644 Secador de 1.5" T-Lite
90642 Pie de fibra de 14" T-Lite
90414 Boquilla redonda de 18"

AMPERIOS	15
RPM	15,750
POTENCIA	2.25
CFM	146 a 2" de manguera; 184 a 3" de manguera
ELEVADOR DE AGUA ESTÁTICO	51"
ÁREA DE FILTRO EXTERNO	1268 pulgadas cuadradas
ALCANCE HORIZONTAL	30 pies
CABLE DE ALIMENTACIÓN	50 pies calibre 14 3 hilos
PESO	65 lb
Tamaño del depósito	16 galones T-lite

Características:

- Recoge simultáneamente residuos en superficies secas/húmedas si se usa filtro externo.
- Recupera agua u otras soluciones sin ningún ajuste. Vienen dispositivos de cierre de líquido.
- Ideal para materiales, desde polvo hasta astillas metálicas oleosas, esmerilado y virutas.
- Recupera fluidos, desde agua hasta aceites de peso medio.
- El filtro externo recoge partículas más ligeras y resiste la obstrucción.
- El depósito recoge residuos más pesados (aproximadamente el 95% del total de recogida); las partículas ligeras se acumulan en los filtros externos.
- Conocida por altos resultados en CFM (pies cúbicos de aire por minuto) y succión moderada (elevador de agua estático).

INSTRUCCIONES DE SEGURIDAD IMPORTANTES

LEA Y ASEGÚRESE DE ENTENDER TODAS LAS INSTRUCCIONES ANTES DE UTILIZAR ESTA UNIDAD. Antes de operar la unidad, lea y entienda este manual del propietario y todas las etiquetas. Para operar esta unidad en forma segura, se necesita sentido común, permanecer alerta y saber cómo funciona. Utilice esta unidad solo como se describe en este manual. Para reducir el riesgo de lesiones personales o daños a la unidad, utilice únicamente los accesorios recomendados.

Para uso comercial,

GUARDE ESTE MANUAL PARA UTILIZARLO COMO REFERENCIA EN UN FUTURO. Cuando se utiliza un aparato eléctrico, siempre deben seguirse precauciones básicas, incluidas las siguientes:

ADVERTENCIA: PARA REDUCIR EL RIESGO DE INCENDIO, DESCARGA ELÉCTRICA O

LESIONES:

- Utilice la unidad solamente de acuerdo con lo descrito en este manual. Utilice solamente los accesorios recomendados por el fabricante.
- No utilice esta unidad cerca de líquidos inflamables, gases o vapores explosivos, como gasolina u otros combustibles, líquidos combustibles, productos de limpieza, pinturas a base de aceite, gas natural, hidrógeno o polvos explosivos, como polvo de carbón, polvo de magnesio, polvo de granos o pólvora. Las chispas en el interior del motor pueden encender los vapores o polvos inflamables.
- Mantenga el cable alejado de superficies calientes.
- No exponga la unidad a la lluvia. Guárdela bajo techo.
- No jale del cable para desenchufar la unidad. Si desea desenchufar la unidad, tome el enchufe, no el cable.
- No utilice la unidad con el cable, el enchufe u otras piezas dañadas.
- Si la unidad no funciona como debería, se ha caído, está dañada, ha quedado a la intemperie o se ha caído al agua, llévela a un centro de servicio.
- No jale ni desplace la unidad tirando del cable, no utilice el cable como manija, no permita que se cierre ninguna puerta sobre el cable, ni jale el cable alrededor de bordes o esquinas pronunciadas.
- No pase la unidad sobre el cable.
- No manipule el enchufe ni la unidad con las manos mojadas.
- Para reducir el riesgo de peligros para la salud causados por vapores o polvos, no aspire materiales tóxicos.
- No guarde la unidad cerca de materiales peligrosos.
- No utilice la unidad con un filtro roto o sin el filtro, excepto cuando aspire líquidos como se describe en la sección de operaciones de este manual.
- No permita que se utilice como juguete. Es necesario prestar mucha atención cuando se utilice cerca de los niños.
- Para reducir el riesgo de lesiones debido a un encendido accidental, desconecte el cable de alimentación antes de cambiar o limpiar un filtro.
- No deje la unidad desatendida cuando esté enchufada. Desenchúfela del tomacorriente cuando no esté en uso y antes de realizar tareas de mantenimiento.
- Apague la unidad antes de desconectarla.
- No coloque ningún objeto en las aberturas de ventilación. No la opere con las aberturas de ventilación bloqueadas; mantenga la unidad libre de polvo, pelusa, pelo o cualquier cosa que reduzca el flujo de aire.
- Mantenga el cabello, la ropa holgada, los dedos y todas las partes del cuerpo lejos de las aberturas y las piezas móviles.
- Para reducir el riesgo de caídas, tenga sumo cuidado cuando utilice la unidad en escaleras.
- No aspire cenizas calientes, brasas ni otros materiales tóxicos, inflamables o peligrosos.
- Conecte la unidad solamente a un tomacorriente debidamente conectado a tierra. Ver Instrucciones de Conexión a Tierra.
- Nunca opere con la entrada sin protección. La succión fuerte jalará los dedos y/o la ropa en las aspas y otras piezas móviles.
- Siempre oriente el orificio de escape hacia una dirección segura. El aire sale a muy alta velocidad.
- Siempre use gafas de seguridad cuando esté en las proximidades de esta unidad.
- Si la unidad es portátil, sujétela firmemente al encenderla. Un alto par de torsión al encenderse causará que la unidad dé un tirón y cause lesiones y/o daños.



ADVERTENCIA: No seguir estas instrucciones puede resultar en lesiones corporales graves o daños materiales.

ANTES DE OPERAR LA UNIDAD

Lea este manual por completo antes de intentar operar la unidad. Este manual contiene información importante para la operación y el uso seguros de la unidad. Conserve este manual y téngalo a su alcance. Si necesita más información, comuníquese con su distribuidor local o llame a:

TORNADO INDUSTRIES (630) 818-1300 330
CHARLES COURT SUITE 109 Fax: (630) 818-1301
WEST CHICAGO, IL 60185 www.tornadovac.com

Instrucciones de Conexión a Tierra

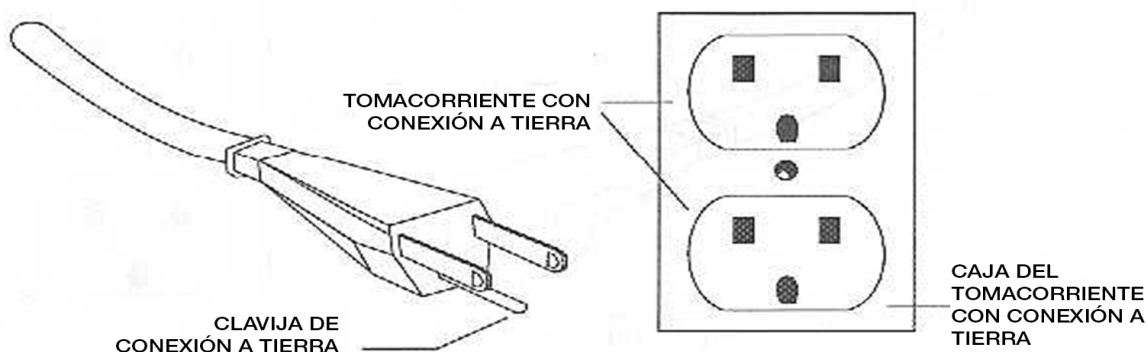


ADVERTENCIA: La conexión inadecuada del conductor a tierra puede ocasionar un riesgo de descarga eléctrica. Consulte a un electricista calificado o a la persona que realiza el servicio si tiene dudas respecto a si el tomacorriente se encuentra conectado a tierra correctamente. No modifique el enchufe provisto con el aparato. Si no se ajusta al tomacorriente, solicite a un electricista calificado que instale el tomacorriente adecuado.

Este aparato debe tener conexión a tierra. En caso de mal funcionamiento o avería, la conexión a tierra proporciona una ruta de menor resistencia para la corriente eléctrica: reduce el riesgo de una descarga eléctrica. Esta unidad está equipada con un cable que tiene un conductor y un enchufe de conexión a tierra del equipo. El enchufe debe insertarse en un tomacorriente apropiado que esté debidamente instalado y conectado a tierra, de acuerdo con todos los códigos y ordenanzas locales.

ADVERTENCIA: La conexión inadecuada del conductor de conexión a tierra del equipo puede ocasionar un riesgo de descarga eléctrica. Consulte a un electricista calificado o a la persona que realiza el servicio si tiene dudas respecto a si el tomacorriente se encuentra conectado a tierra correctamente. No modifique el enchufe provisto con el aparato; si no se ajusta al tomacorriente, solicite a un electricista calificado que instale el tomacorriente adecuado.

Este aparato debe utilizarse en un circuito nominal de 120 voltios y cuenta con un enchufe de conexión a tierra similar al que se muestra en la figura (A). Asegúrese de que el aparato esté conectado a un tomacorriente con la misma configuración que el enchufe. No utilice ningún adaptador con este aparato.



(A)

Configuración y Operación del Cabezal

ENSAMBLAJE DEL CABEZAL Y EL TAMBOR

1. Retire todos los componentes del paquete. NOTA: El soporte, el depósito y la tapa del depósito vienen preensamblados.
2. El motor del soplador ya viene unido a la tapa del depósito. Asegúrese de que la boquilla de escape quede orientada hacia afuera. Para extraerlo, gire el motor del soplador hacia la izquierda y se desprenderá desde la tapa del depósito.
3. Sujete el filtro externo mediante la instalación del collar de entrada en la boquilla del escape. Gire el collar hacia la derecha para trabarlo. No gire el filtro.
4. Conecte la parte superior del filtro a la manija del soporte.

NORMAS DE FUNCIONAMIENTO

Utilice mangueras y accesorios de 1.5" a 2" de diámetro interno.

Recupere aceites de agua y de peso ligero.

Recupere polvos, esmerilado y virutas de metal.

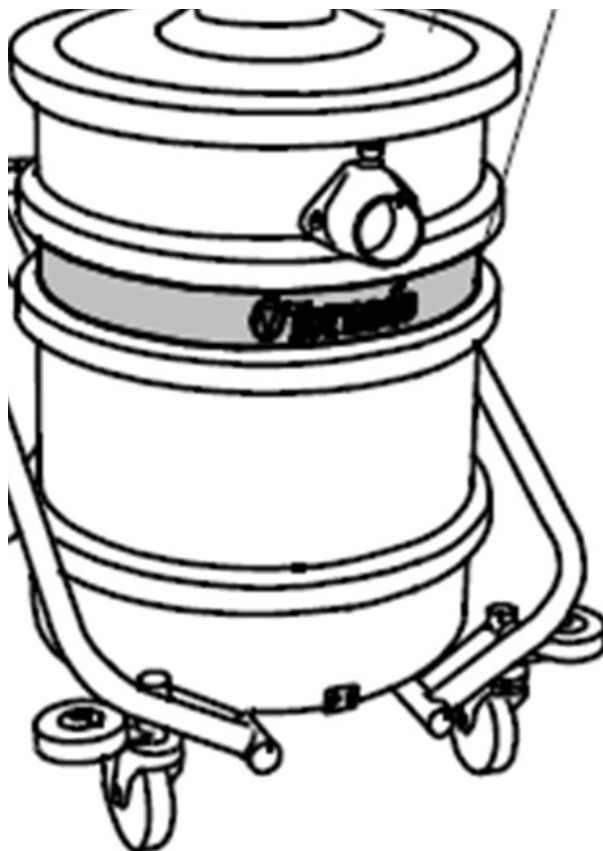
Para recuperar polvos secos finos, agregue el depósito 94655 Tornado. Para la recuperación de polvos, se requiere conexión a tierra y descargas estáticas.

Utilice mangueras conductoras de estática (uretano o neopreno) de la marca TORNADO, y conecte a tierra el cabezal de la aspiradora y el depósito.

Los cables de extensión deben ser más pesados que el cable de entrada, con un cable de extensión máxima de 50 pies.

PARA ENCENDER/APAGAR LA UNIDAD

1. Conecte el cable de alimentación del motor del soplador en el tomacorriente de 20 amperios.
2. Coloque el interruptor ON/OFF (encendido/apagado), ubicado en el motor del soplador, en ON (encendido).
3. Para detener la unidad, gire el interruptor ON/OFF a la posición OFF.



Pautas de Identificación y Resolución de problemas

<u>Problema</u>	<u>Solución</u>
1. La unidad no enciende.	<p>Asegúrese de que el cable de alimentación esté conectado en un receptáculo que funcione.</p> <p>Verifique que el cable de alimentación no esté defectuoso.</p>
2. La unidad dejó de funcionar.	<p>Asegúrese de que el cable de alimentación esté conectado a un receptáculo que funcione. Revise el disyuntor, si hay desgaste del armazón de los cepillos o si el cable de alimentación está defectuoso.</p>
3. La unidad no succiona.	<p>Revise si la manguera o la entrada del motor está obstruida, si la manguera está doblada, si el tambor está defectuoso o si el material es demasiado pesado para la unidad.</p>
4. El motor del soplador se sobrecalienta.	<p>Revise que el armazón de los cepillos tenga una longitud satisfactoria (consulte la sección de Mantenimiento), que el ventilador del motor sea el adecuado y que el tamaño del cable de extensión sea el adecuado (12-3 mínimo).</p>
5. La unidad tiene una mala recuperación.	<p>Revise que la manguera y los accesorios tengan el tamaño correcto, que el sellado no sea deficiente, que el tambor no esté defectuoso o que el material no sea demasiado pesado para la unidad.</p> <p>Revise los filtros externos. Vacíelos y límpielos, si es necesario.</p> <p>Revise que el sello de la cubierta del tambor (junta) sea el adecuado.</p> <p>Revise si hay daños y/o desgaste de la manguera y accesorios.</p> <p>Revise las posiciones de bloqueo de los motores del soplador a la cubierta jumbo.</p> <p>Revise las posiciones de bloqueo de los filtros externos de los motores del soplador.</p> <p>Revise si las juntas tienen desgaste y/o daños.</p>

Mantenimiento

MANTENIMIENTO DEL MOTOR

Consulte la figura número 2.

El daño a una armadura siempre es causado por permitir que los cepillos de carbón se desgasten a menos de 1/4" de largo. Para evitar esto, revise los cepillos después de las primeras 200 horas de funcionamiento y con frecuencia a partir de entonces. Cámbielos cuando sea necesario. No hacerlo anulará la garantía de fábrica.

CÓMO INSPECCIONAR LOS CEPILLOS

1. Desconecte el cable eléctrico del soplador del tomacorriente.
2. Retire los dos tornillos (39) situados en la cubierta superior (7).
3. Retire la abrazadera en U (resorte helicoidal) (30) para liberar los cepillos de carbono (fichas del cepillo) (31).
4. Retire los dos cepillos (31) y revise la longitud.
5. Reemplace si es necesario.

NOTA: No debe intentarse ningún otro mantenimiento del motor durante el primer año posterior a la compra (consulte la garantía). Cualquier otro tipo de mantenimiento debe realizarlo un representante autorizado de TORNADO.

MANTENIMIENTO DEL FILTRO EXTERNO

Para una máxima eficiencia de operación y para asegurar una mayor duración, elimine los filtros y vacíelos separando la abrazadera inferior después de cada uso.

CUALQUIER OTRO MANTENIMIENTO

Utilice solo cables de extensión de tres hilos, los cuales tienen tapas de enchufes de tres clavijas con conexión a tierra y receptáculos de tres polos que acepta el tomacorriente. Los cables de extensión deben ser iguales o más pesados que el cable de entrada. Cambie los cables dañados.

Vacíe y limpie la aspiradora, los filtros y los accesorios después de cada día de uso para un máximo rendimiento.

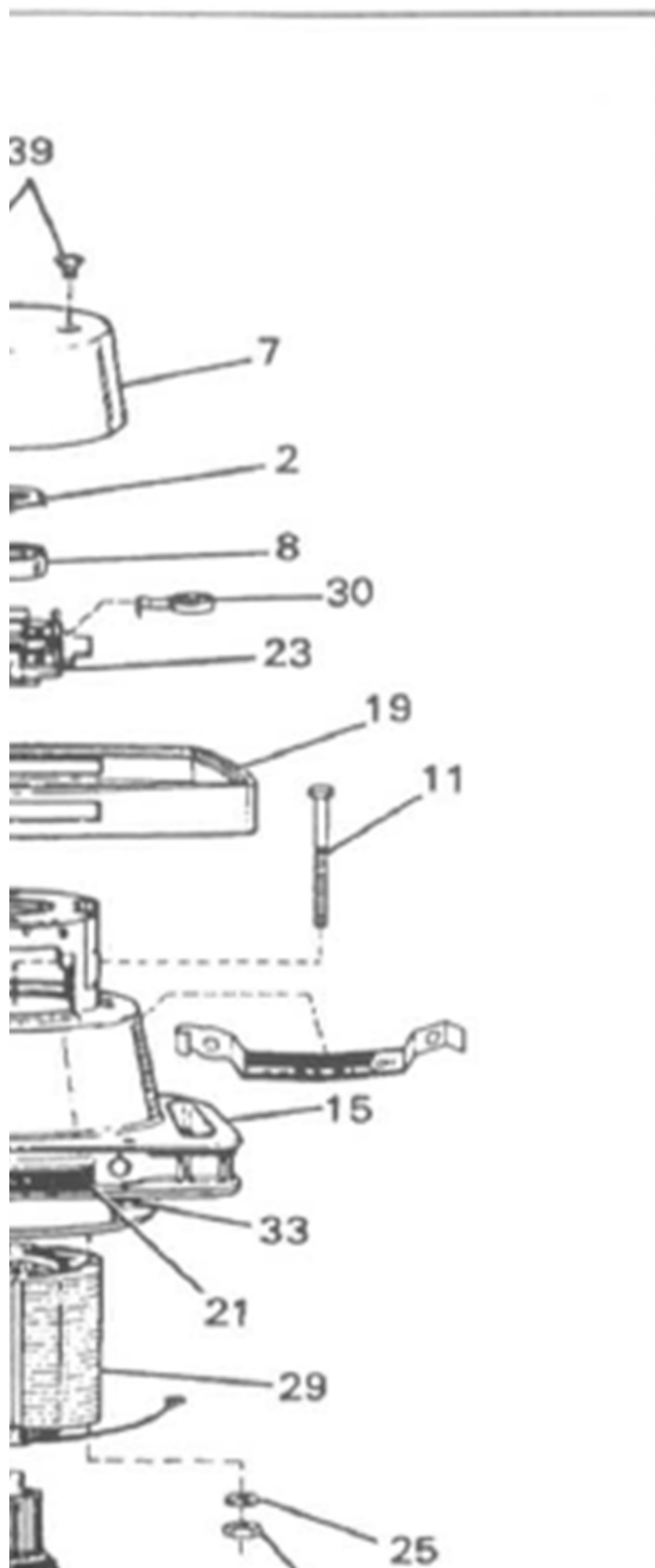


Figura 2, motor del soplador

NÚMEROS DEL CÓDIGO			TENSIÓN		
	8800 H		98904	115 V	
	8801 H			230 V	
ARTÍCULO N.º	CANT.	PIEZA N.º	CANT.	PIEZA N.º	DESCRIPCIÓN
1	4	7533	4	7533	Tuerca
2	1	7858	1	7858	Resorte de carga
3	1	8516	1	8516	Interruptor
4	4	11276	4	11197	Tornillo
5	1	11268	1	11198	Deflector de enfriamiento
6	1	11269	1	11199	Almohadilla de fibra de vidrio
7	1	12436	1	12436	Cubierta superior
8	1	11236	1	11236	Cojinete
9	1	11274	1	11237	Placa de la cámara del ventilador
10	1	12604	1	12644	Placa de cubierta S/A
11	2	11275	2	11239	Tornillo campo
12	4	11240	4	11240	Tornillo
13	1	11241	1	11241	Cable (115 voltios)
	1	11449			Cable (230 voltios)
14	1	11242	1	11242	Cono de la hélice
15	1	11243	1	11243	Carcasa del motor del ventilador S/A
16	1	12605	1	12692	Ventilador
17	1	12645	1	12614	Cámara del ventilador
18	1	11252	1	11252	Cojinete de alivio de tensión
19	1	11253	1	11253	Defensa
20	1	14322	1	14322	Anillo
21	1	11900	1	11900	Placa de identificación (logo)
23	1	11278	1	11278	Ficha del cepillo y soporte S/A (115 voltios)
	1	11781			Ficha del cepillo y soporte S/A (230 voltios)
24	3	7534	1	7534	Tornillo
25	3	1713	3	1713	Arandela de seguridad
26	2	1477	2	1477	Tuerca
27	1	8220	1	8220	Enchufe (115 voltios)
	1	2563			Enchufe (230 voltios)
28	1	11270	1	11255	Armazón (115 voltios)
	1	11272			Armazón (230 voltios)
29	1	11271	1	11256	Campo (115 voltios)
	1	11273			Campo (230 voltios)
30	2	11415	2	11415	Clip en "U"
31	2	11486	2	11251	Cepillo de carbono (115 voltios)
	2	11780			Cepillo de carbono (230 voltios)
32	2	11245	2	11245	Tornillo
33	4	11244	4	11244	Tornillo
34	1	940	1	940	Tuerca (da espacio al interruptor de la manija) que no se ve
35	1	5773	1	5773	Tuerca (sostiene el interruptor a la manija) que no se ve
36	2	11570	2	11570	Cepillo Spg y amortiguador S/A
37	1	12602	1	12602	Arandela de fieltro
38	1	12603	1	12603	Arandela dividida
39	2	12439	2	12439	Tornillo
40	1	12601	1	12601	Cojinete
41	1	11556	1	11556	Cojinete
42	1	11555	1	11555	Junta
43	1	11562	1	11563	Junta
46	2	13022	2	13022	Almohadilla del portaescobillas

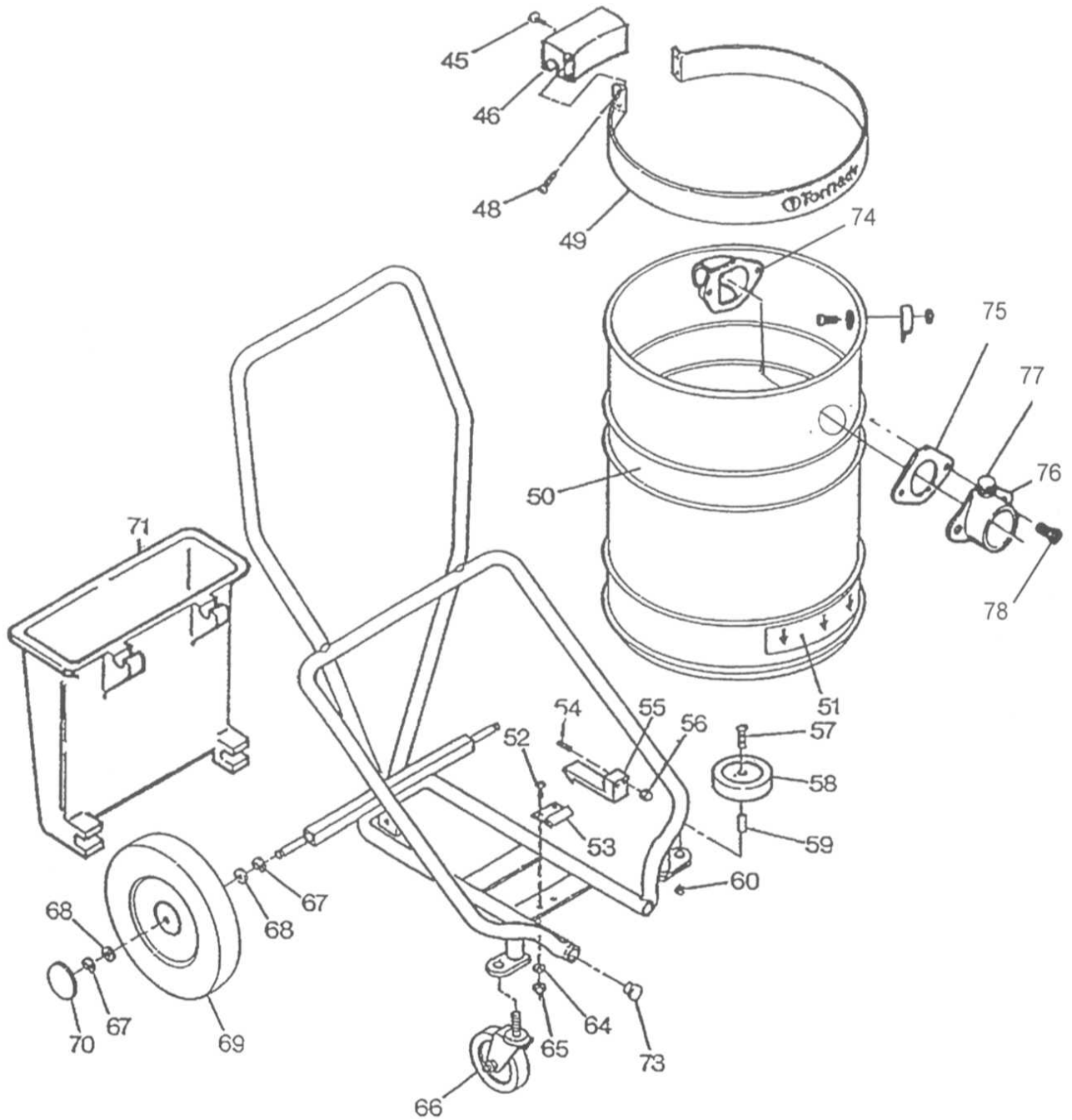
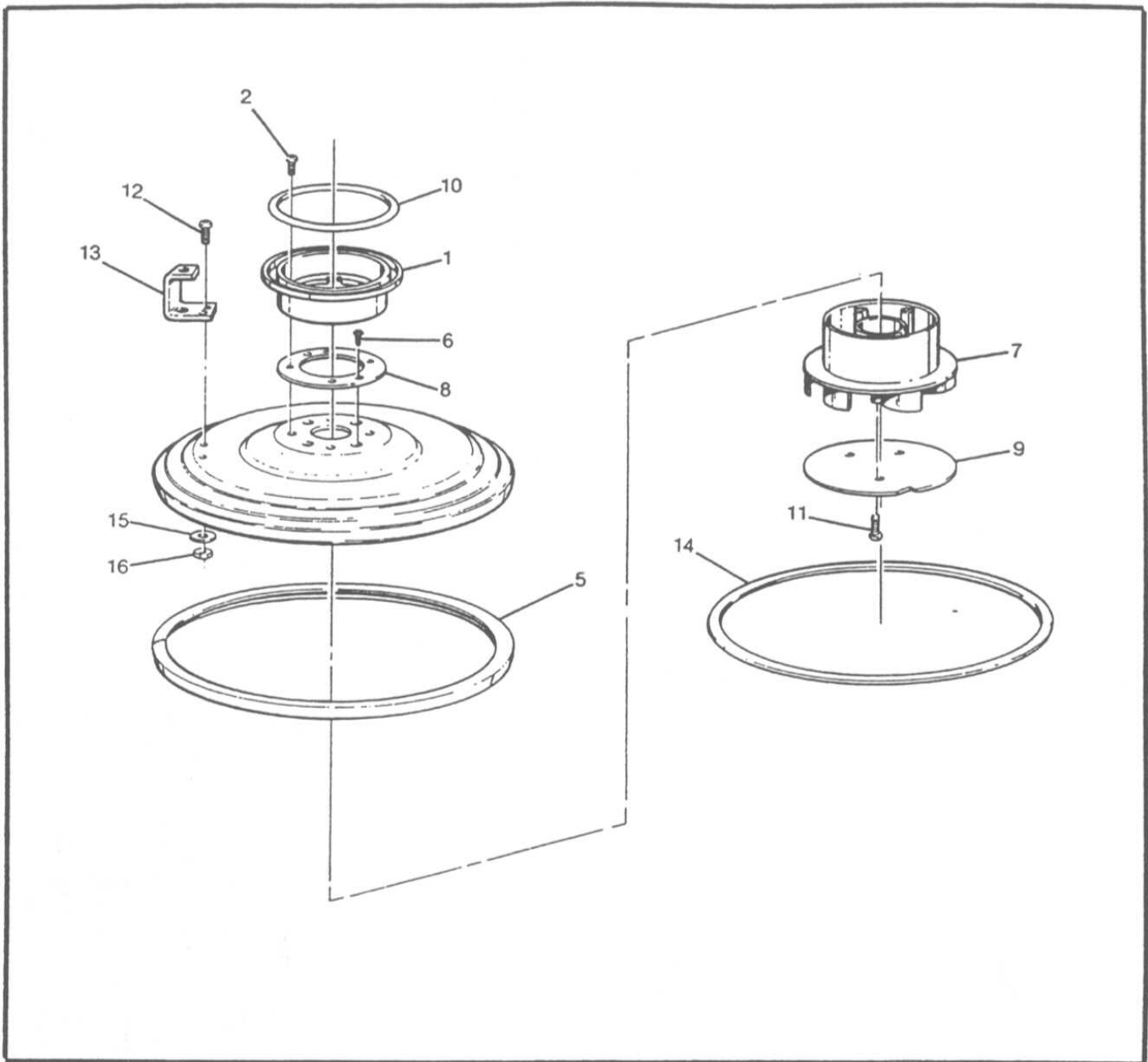


Figura 3, soporte y depósito

LISTA DE PIEZAS

ARTÍCULO N.º	PIEZA N.º	DESCRIPCIÓN	CANT.
45	03261	Tornillo 10-32x0.38	1
46	17823	Bloque pivot	1
48	11733	Tornillo 10-32x0.88	4
49	18722	Correa del depósito	1
50	92650	Depósito inoxidable de 18 galones c/entrada	1
	92654	Depósito T-Lite de 16 galones c/entrada	1
51	14676	Calcomanía del depósito	1
52	03660	Tornillo 10-24x0.44	2
54	16316	Tornillo de fijación 10-24x0.50	3
55	17246	Seguro	1
56	02167	Tuerca ciega 10-24	2
57	01978	Tornillo 1/4-20x1 1/2	2
58	03264	Rueda de fricción	2
59	17400	Cojinete	2
60	07533	Contratuerca 1/4-20	2
53	17247	Pestillo	1
65	10594	Tuerca de seguridad 10-24	2
64	00696	Arandela	2
69	02661	Rueda 10"	2
73	17784	Sello de tubo	4
71	17817	Cesta de herramientas	* 1
68	16581	Arandela 1/2	4
70	03084	Tapa de rueda	2
67	02663	Anillo "E"	4
66	17373	Rueda pivotante 4"	2
*	17784	Sello de tubo	2
74	02916	Deflector de entrada	1
75	02915	Junta	1
76	02914	Entrada	1
77	08080	Submontaje del seguro de la entrada	1
78	00064	Tornillo	2



(98850) CUBIERTA DEL DEPÓSITO

ARTÍCULO N.º	CANT.	PIEZA N.º	DESCRIPCIÓN
1	1	90480	ADAPTADOR
2	4	2053	TORNILLO
3	4	1497	TUERCA DE SOLDADURA
5	1	11700	DEFENSA
6	4	11394	TORNILLO
7	1	11358	GUÍA DE ENTRADA
8	1	11386	JUNTA
9	1	11366	PLACA
10	1	8004	JUNTA
11	3	11390	TORNILLO
12	2	86	TORNILLO
13	1	11414	SOPORTE
14	1	11356	JUNTA
15	2	7741	ARANDELA DE SELLADO
16	2	01604	TUERCA HEXAGONAL

Garantía Registro Formulario

Proporcione información adicional sobre el equipo Tornado:
(Marque las opciones a continuación)

- | | |
|--|---|
| <input type="checkbox"/> Unidades a propano para pisos | <input type="checkbox"/> Unidad rotativa para pisos |
| <input type="checkbox"/> Lustradoras de alta velocidad | <input type="checkbox"/> Aspiradoras para alfombras |
| <input type="checkbox"/> Quitamanchas y extractores para alfombras | <input type="checkbox"/> Aspiradoras para superficies secas/húmedas |
| <input type="checkbox"/> Limpiadoras a vapor | <input type="checkbox"/> Aspiradoras jumbo |
| <input type="checkbox"/> Equipo con conductor | <input type="checkbox"/> Hidrolavadoras |
| <input type="checkbox"/> Équipement auto-porté | <input type="checkbox"/> Laveuses à pression |

Consulte la información completa de los productos en www.tornadovac.com.

Distribuidor de la Venta: (obligatorio) _____

Escriba con letra clara.

Empresa/Institución	
Nombre del Contacto	Título
Dirección	Ciudad/Estado/Código Postal
Teléfono	Fax
Fecha de Compra	Correo Electrónico

Consulte la placa de metal blanca o el adhesivo en la unidad para obtener esta información.

TIPO DE UNIDAD/NÚMERO DE MODELO:	NÚMERO DE SERIE:
1.	1.
2.	2.
3.	3.
4.	4.

Descripción de las instalaciones (por favor, marque todas las opciones que correspondan)

- | | | |
|--------------------------------------|-----------------------------|-------------------------------------|
| 1. Escuela | 9. Hospital | 17. Gobierno de los EE. UU. |
| 2. Tienda minorista | 10. Hogar de ancianos | 18. Otra institución gubernamental |
| 3. Restaurante | 11. Institución religiosa | 19. Autoservicio |
| 4. Edificio de oficinas | 12. Aeropuerto | 20. Aeropuerto |
| 5. Servicio de limpieza | 13. Depósito | 21. Organización sin fines de lucro |
| 6. Industria ligera | 14. Departamento/condominio | 22. Otro (especifique) |
| 7. Industria pesada | 15. Depósito | |
| 8. Escuela universitaria/universidad | 16. Supermercado | |

¿Cómo se enteró de los equipos de limpieza y mantenimiento de Tornado?	en pies cuadrados (metros)	
	Área Total de Piso	Área Total Alfombrada pies cuadrados (metros cuadrados)
<ul style="list-style-type: none"> <input type="checkbox"/> El distribuidor local se comunicó conmigo <input type="checkbox"/> Experiencia previa con productos Tornado <input type="checkbox"/> Reputación/recomendación <input type="checkbox"/> Publicidad <input type="checkbox"/> Correo directo <input type="checkbox"/> Internet <input type="checkbox"/> Otro 	<ul style="list-style-type: none"> <input type="checkbox"/> 0-10,000 (0-930) <input type="checkbox"/> 10-50,000 (930-4,650) <input type="checkbox"/> 50-250,000 (4,650-23,250) <input type="checkbox"/> Más de 250,000 (más de 23,260) 	<ul style="list-style-type: none"> <input type="checkbox"/> 0-10,000 (0-930) <input type="checkbox"/> 10-50,000 (930-4,650) <input type="checkbox"/> 50-250,000 (4,650-23,250) <input type="checkbox"/> Más de 250,000 (más de 23,260)

Los daños o defectos derivados del abuso, negligencia o cualquier otro uso indebido quedan excluidos de esta garantía. Otros artículos pueden estar incluidos o no, según la unidad que tenga. Si se produce algún defecto, la garantía se anula en caso de intentar reparar el aparato en centros de servicio no autorizados por Tornado.

Regresar a:
Tornado Industries 333
Charles Ct. Unit 109 West
Chicago, IL 60185
Fax: (630) 818-1301

