



## **Spare Parts List**

**(1.006-665.0, 1.006-666.0, 1.006-669.0)**

**Dominator 500 PSI-13 Gallon**

From Serial Number (Ref No. 1\*)

\* See Serial Number page or  
call manufacturer

## *How to Use this Spare Parts List*

---

The PARTS LIST section contains assembled parts illustrations and corresponding parts list. The parts lists include a number of columns of information:

- REF - column refers to the reference number on the parts illustration.
- PART NO. - column lists the part number for the part.
- QTY - column lists the quantity of the part used in that area of the machine.
- DESCRIPTION - column is a brief description of the part.
- SERIAL NO. FROM - If this column has an (\*) and a Reference number, see the SERIAL NUMBERS page in the back of your manual. If column has two asterisk (\*\*), call manufacturer for serial number. The serial number indicates the first machine the part number is applicable to. The main illustration shows the most current design of the machine. When a boxed illustration is shown, it displays the older design.
- NOTES - column for information not noted by the other columns.

**NOTE:** *If a service or option kit is installed on your machine, be sure to keep the KIT INSTRUCTIONS which came with the kit. It contains replacement parts numbers needed for ordering future parts.*

**How to Use this Spare Parts List . . . . . 2**

**Table of Contents . . . . . 3**

Control Panel with Heat (Dual Vac) . . . . . 4

Control Panel without Heat (Single Vac) . . . . . 6

Decals . . . . . 8

Electrical with Heat (dual Vacuum) . . . . . 10

Electrical without Heat (Single Vac) . . . . . 12

Frame . . . . . 14

Heater . . . . . 16

Pump . . . . . 18

Pump with Heat . . . . . 20

Recovery . . . . . 22

Solution . . . . . 24

Vacuum with Heat (Dual Vac) . . . . . 26

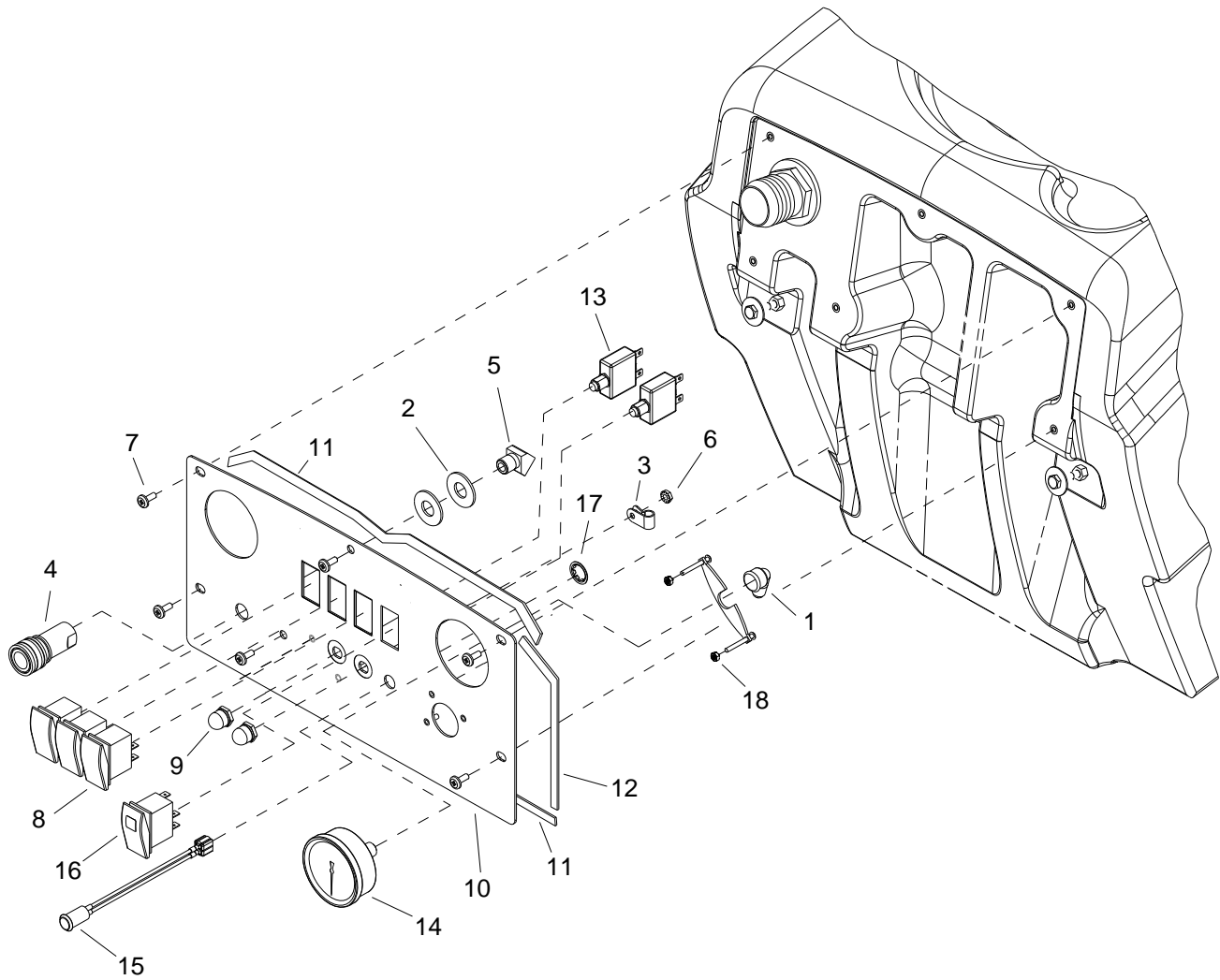
Vacuum without Heat (Single Vacuum) . . . . . 28

Wand / Hoses - Optional . . . . . 30

Serial Number . . . . . 32

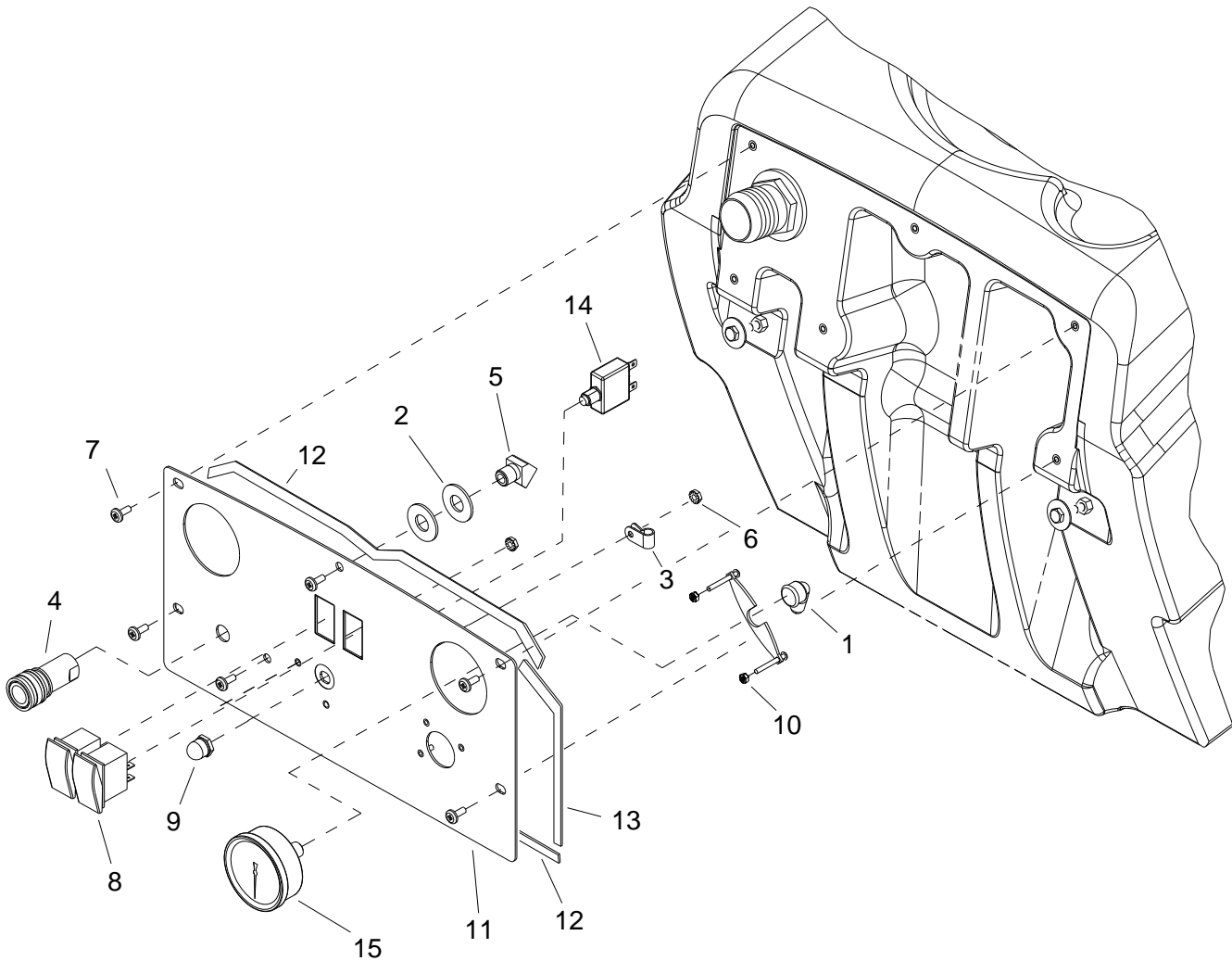
Notes . . . . . 33

*Control Panel with Heat (Dual Vac)*



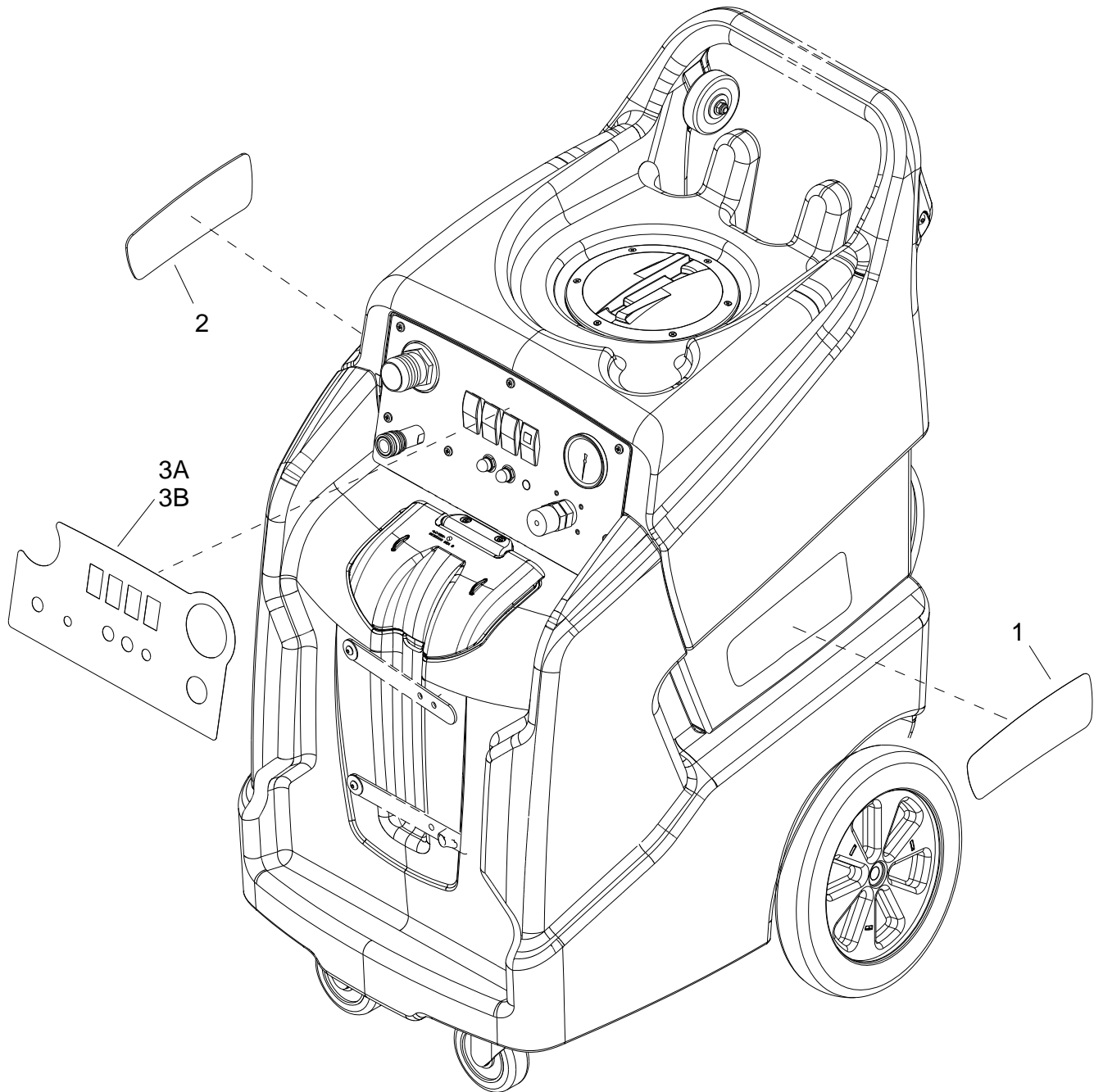
REF	PART NO.	QTY	DESCRIPTION	SERIAL NO. FROM	NOTES
1	86180350	1	ELL, 1/4FP X 1/4T BR		
2	86202230	2	WASHER 9/16 S/S USS THICK		
3	86002370	1	CLAMP, 7/16 DIA NYLON UL		
4	86002450	1	COUPLER, 1/4 QD		
5	86197390	1	ELBOW, 1/4NPT 45D STREET		
6	86005700	2	NUT, 10-32 HEX W/STAR		
7	86276820	6	SCR, 10-32 X 1/2 PTHMS BLK NP		
8	86007140	3	SWITCH, SPST 2-POSITION ROCKER		
9	86008900	2	BOOT, SEAL PUSH BUTTON 7/16"		
10	86311840	1	PANEL, CONTROL, 500 HEAT		
11	86313020	2	GASKET, .125 T X .25 W X 15.6"		
12	86313030	4	GASKET, .125 T X .25 W X 7.2"		
13	86318320	2	BREAKER, 13A, 250VAC, 32VDC		
14	86323310	1	GAUGE, 0-600 PSI		
15	86318780	1	LIGHT ASM, HEATER, 120V		
16	86317850	1	SWITCH, LIGHTED 2-POS ROCKER		
17	86233480	1	CLIP, NEON LAMP		
18	86005720	2	NUT, 8-32 W/STAR WASHER PLTD		

*Control Panel without Heat (Single Vac)*



*Control Panel without Heat (Single Vac)*

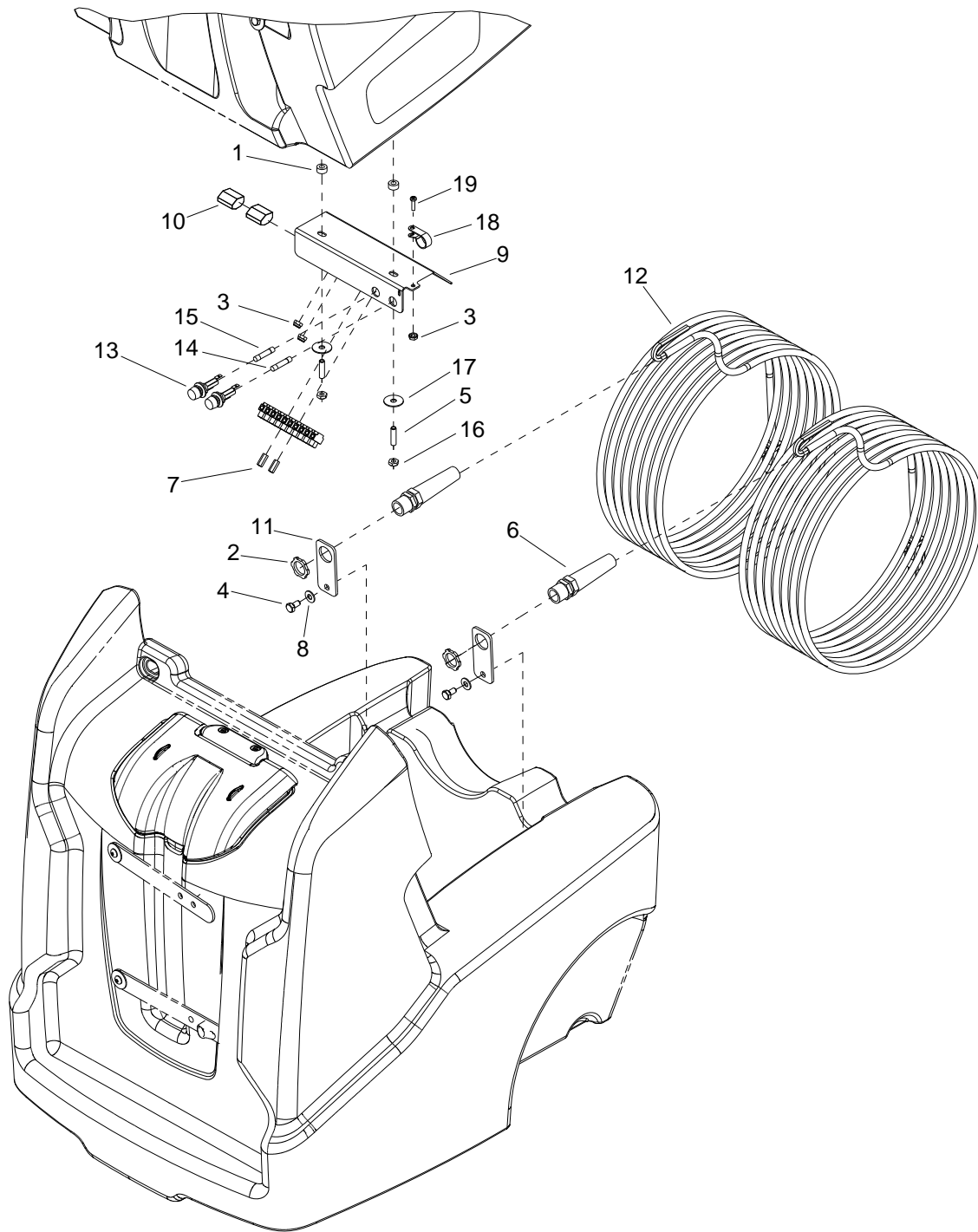
REF	PART NO.	QTY	DESCRIPTION	SERIAL NO. FROM	NOTES
1	86180350	1	ELL, 1/4FP X 1/4T BR		
2	86202230	2	WASHER 9/16 S/S USS THICK		
3	86002370	1	CLAMP, 7/16 DIA NYLON UL		
4	86002450	1	COUPLER, 1/4 QD		
5	86197390	1	ELBOW, 1/4NPT 45D STREET		
6	86005700	2	NUT, 10-32 HEX W/STAR		
7	86276820	6	SCR, 10-32 X 1/2 PTHMS BLK NP		
8	86007140	2	SWITCH, SPST 2-POSITION ROCKER		
9	86008900	1	BOOT, SEAL PUSH BUTTON 7/16"		
10	86005720	2	NUT, 8-32 W/STAR WASHER PLTD		
11	86320850	1	PANEL, CONTROL, 500		
12	86313020	2	GASKET, .125 T X .25 W X 15.6"		
13	86313030	4	GASKET, .125 T X .25 W X 7.2"		
14	86318320	1	BREAKER, 13A, 250VAC, 32VDC		
15	86323310	1	GAUGE, 0-600 PSI		





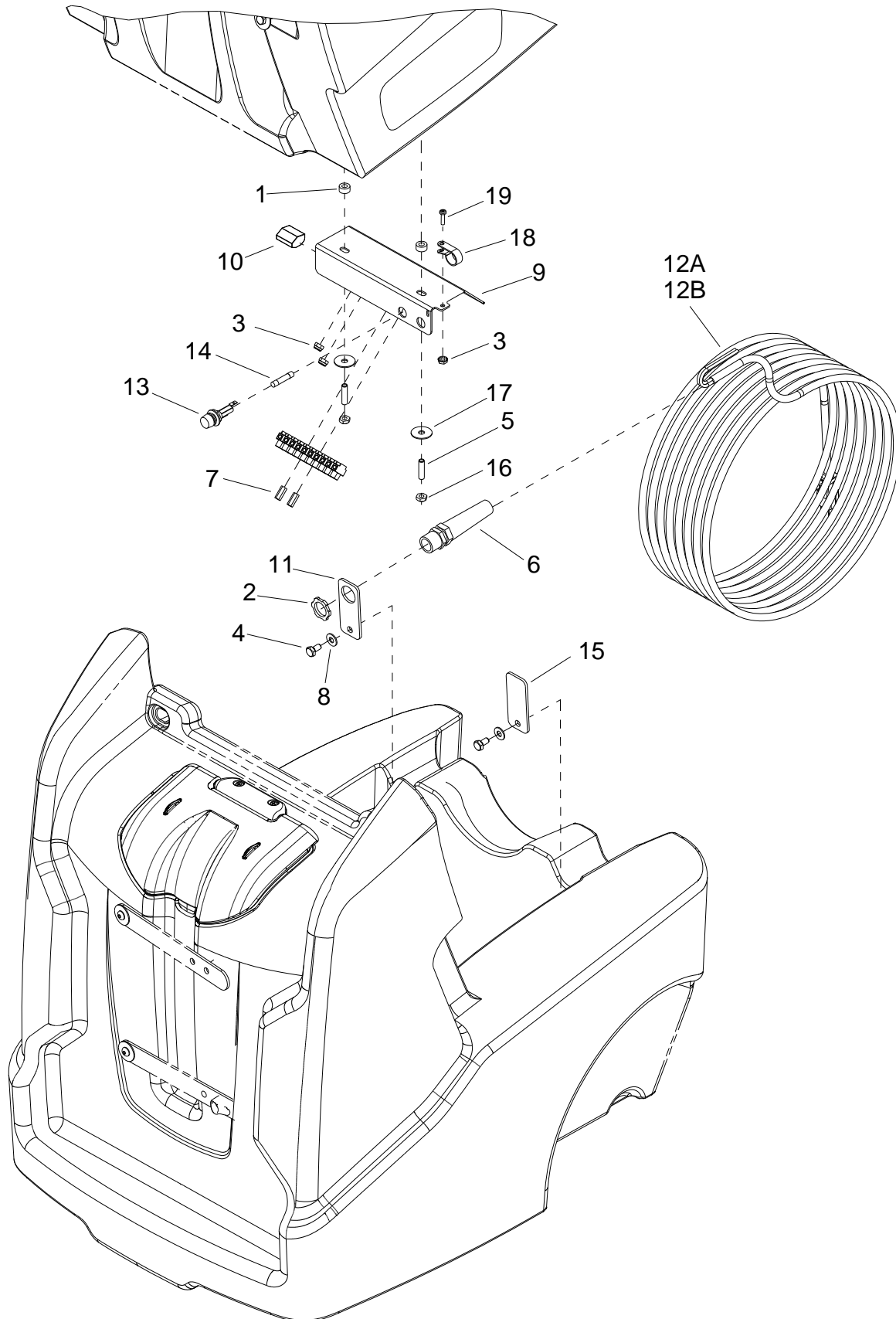
<b>REF</b>	<b>PART NO.</b>	<b>QTY</b>	<b>DESCRIPTION</b>	<b>SERIAL NO. FROM</b>
1	86395950	1	LABEL, DOM, RH	
2	86395960	1	LABEL, DOM, LH	
3A	86395970	1	LABEL, DOM, W/ HEAT	
3B	86395980	1	LABEL, DOM, W/O HEAT	

*Electrical with Heat (dual Vacuum)*

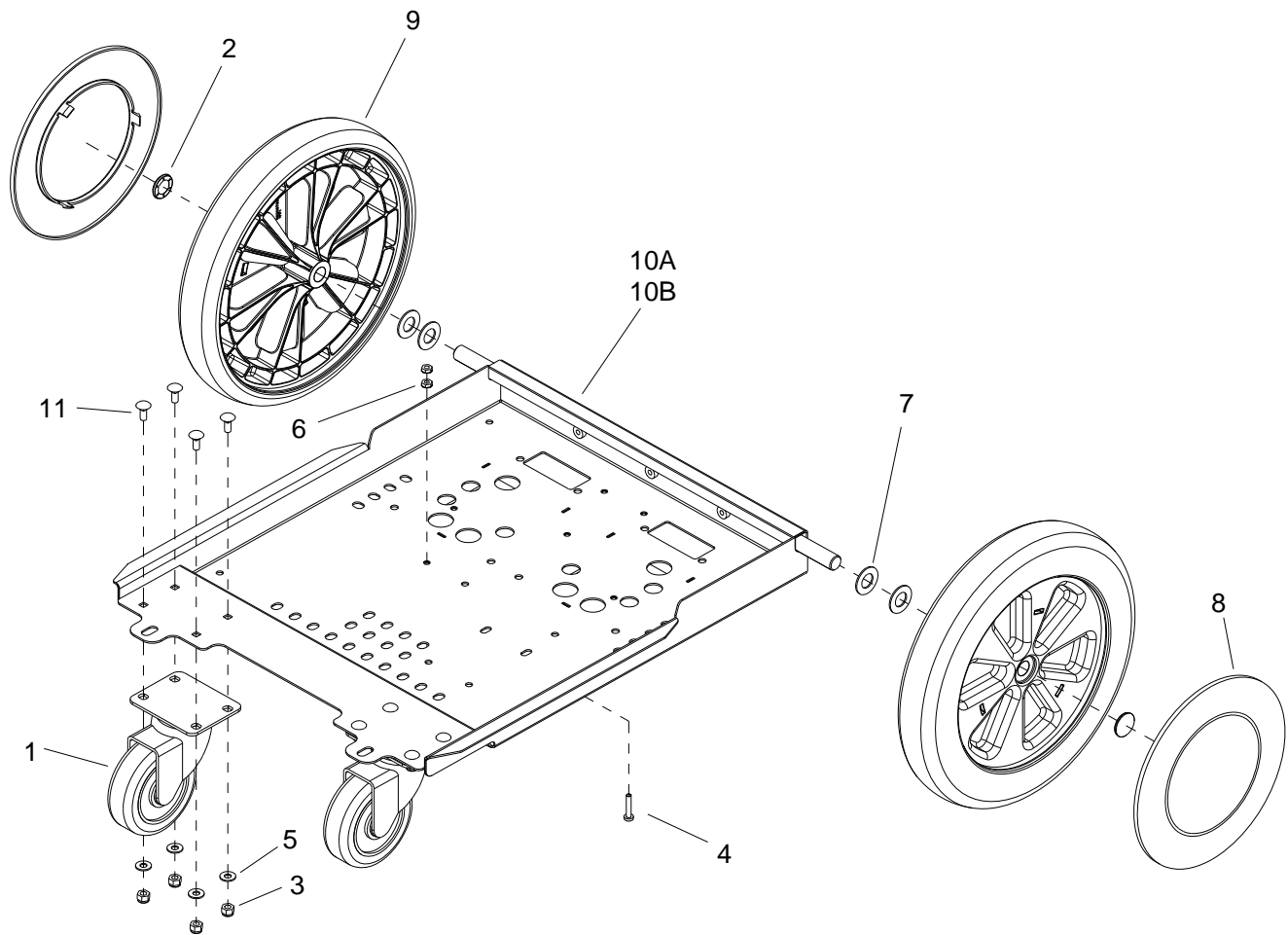


REF	PART NO.	QTY	DESCRIPTION	SERIAL NO. FROM	NOTES
1	86201510	2	SPACER NYLON 1/4ID X 1/2 OD		
2	86005670	2	NUT, 1/2 NPT CONDUIT		
3	86005700	3	NUT, 10-32 W/STAR WASHER PLTD		
4	86273830	2	SCR, 1/4-20 X 1/2 HHCS SS		
5	86006850	2	SET SCR, 1/4-20 X 1.25L		
6	86256200	2	STRAIN RELIEF, 1/2 NPT FLEX		
7	86255900	2	STANDOFF, 6-32 X 5/8 HEX NYL		
8	86010630	2	WASHER, 1/4 X 5/8 FLAT SS		
9	86316460	1	BRKT, ELECTRICAL		
10	86316540	2	CONNECTOR, 5 POS, PUSH WIRE		
11	86316700	2	BRKT, CORD STRAIN RELIEF		
12	86318620	2	CORD ASM, 14/3 SJT X 25' BLK		
13	86319090	2	FUSE HOLDER, PANEL MNT		
14	86319100	1	FUSE, 1/4" X 1 1/4", 15A		
15	86364350	1	FUSE, 7A 1/4" X 1 1/4"		
16	86005810	2	NUT, 1/4-20 NYLOCK		
17	86323330	2	WASHER, 1/4" ID X 1.0D FLAT BLK		
18	86198460	1	CLAMP, 5/8 NYLON UL/CSA		
19	86006590	1	SCREW, 10-32 X 1/2 PPHMS SS NP		

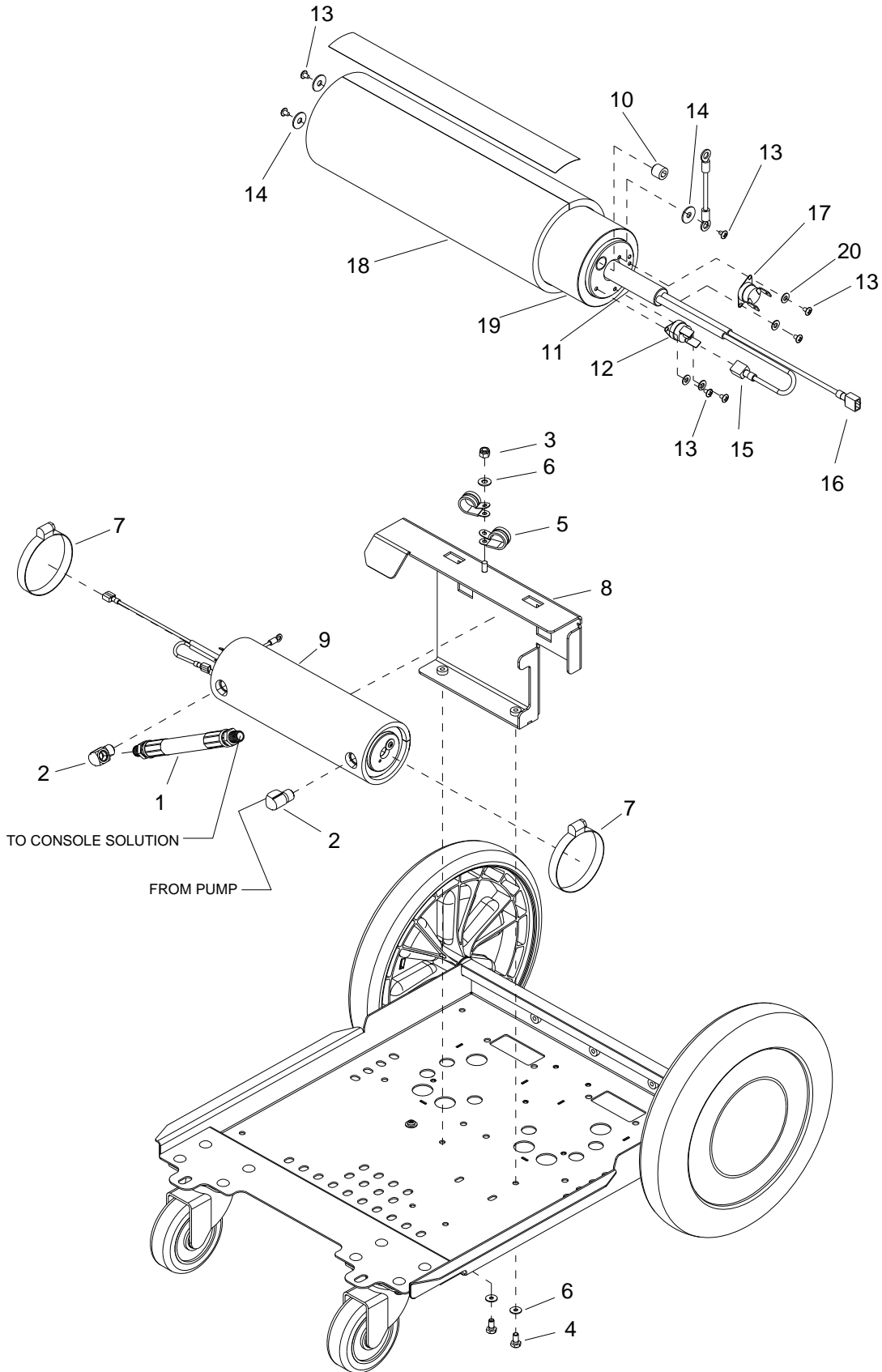
*Electrical without Heat (Single Vac)*



REF	PART NO.	QTY	DESCRIPTION	SERIAL NO. FROM	NOTES
1	86201510	2	SPACER NYLON 1/4ID X 1/2 OD		
2	86005670	1	NUT, 1/2 NPT CONDUIT		
3	86005700	3	NUT, 10-32 W/STAR WASHER PLTD		
4	86273830	2	SCR, 1/4-20 X 1/2 HHCS SS		
5	86006850	2	SET SCR, 1/4-20 X 1.25L		
6	86256200	1	STRAIN RELIEF, 1/2 NPT FLEX		
7	86255900	2	STANDOFF, 6-32 X 5/8 HEX NYL		
8	86010630	2	WASHER, 1/4 X 5/8 FLAT SS		
9	86316460	1	BRKT, ELECTRICAL		
10	86316540	1	CONNECTOR, 5 POS, PUSH WIRE		
11	86316700	1	BRKT, CORD STRAIN RELIEF		
12A	86318620	1	CORD ASM, 14/3 SJT X 25' BLK		NON-ETL MODELS
12B	86325300	1	CORD ASM, 14/3 X 40' GFCI BLK		ETL MODELS
13	86319090	1	FUSE HOLDER, PANEL MNT		
14	86364350	1	FUSE, 7A 1/4" X 1 1/4"		
15	86317580	1	BRKT, CORD, BLANK		
16	86005810	2	NUT, 1/4-20 NYLOCK		
17	86323330	2	WASHER, 1/4" ID X 1.0D FLAT BLK		
18	86198460	1	CLAMP, 5/8 NYLON UL/CSA		
19	86006590	1	SCREW, 10-32 X 1/2 PPHMS SS NP		

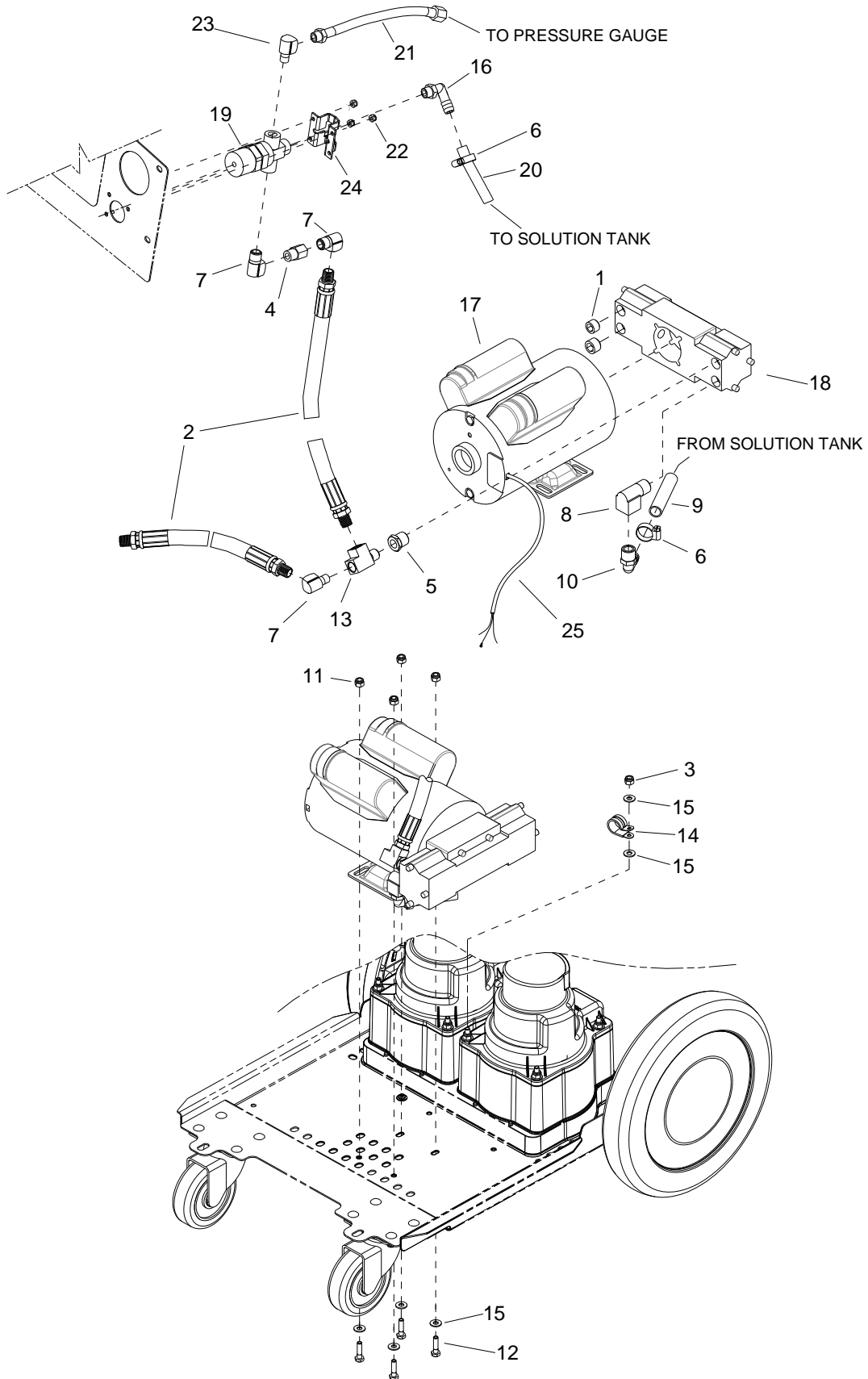


REF	PART NO.	QTY	DESCRIPTION	SERIAL NO. FROM	NOTES
1A	86199430	2	CASTER, SWIVEL 4" 250# CPCTY		NON-ETL MODELS
1B	86327030	2	CASTER, SWIVEL 4" LOCKING		ETL MODEL
2	86001660	2	HUBCAP, 5/8 SHAFT		
3	86005810	8	NUT, 1/4-20 HEX NYLOCK SS		
4	86276080	1	SCR, 10-32 X 1" PPHMS GRN		
5	86010630	8	WASHER, 1/4 X 5/8 FLAT SS		
6	86005700	2	NUT, 10-32 HEX W/STAR		
7	86010730	4	WASHER, 5/8 X 1-3/16 FLAT SS		
8	86300070	2	HUBCAP, 9.75" WHEEL, BLACK		
9	86309790	2	WHEEL, 12" X 2.25"		
10A	86312830	1	FRAME, 5/8" AXLE, DUAL VAC		W/ HEAT
10B	86322760	1	FRAME, 5/8" AXLE, SGL VAC		W/O HEAT
11	86277500	8	SCR, 1/4-20 X 5/8 CARR SS		



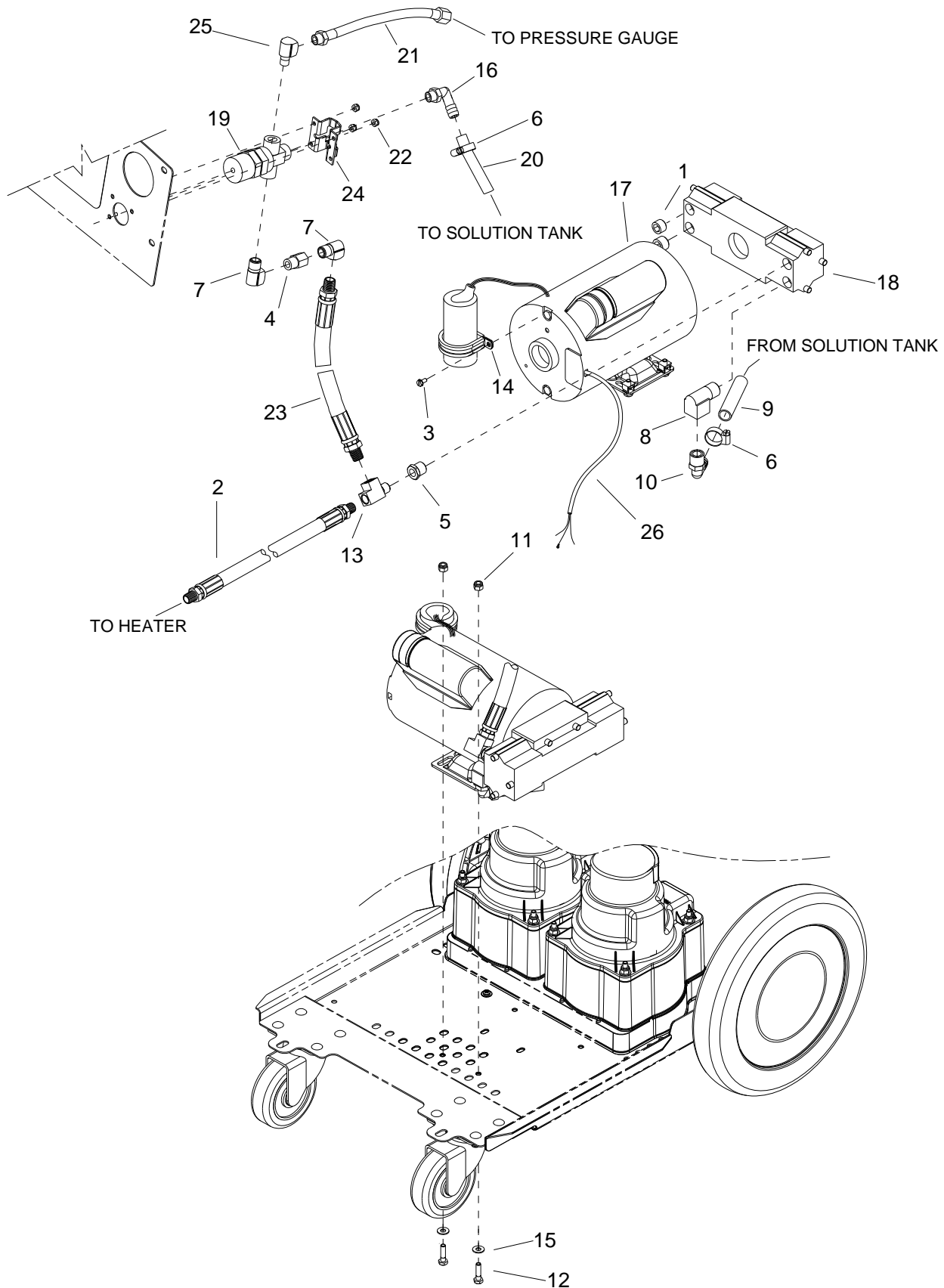


REF	PART NO.	QTY	DESCRIPTION	SERIAL NO. FROM	NOTES
1	86200260	1	HOSE,PULSE 47.0 1/4MPTX1/4MPT		
2	86197360	2	ELBOW, 1/4 NPT STREET		
3	86005810	1	NUT, 1/4-20 HEX NYLOCK SS		
4	86273830	2	SCR, 1/4-20 X 1/2 HHCS SS		
5	86233410	2	CLAMP, 3/4 DIA CUSHION .406 DIA		
6	86010630	3	WASHER, 1/4 X 5/8 FLAT SS		
7	86318310	2	CLAMP, 3.25 WORM GEAR SS		
8	86318410	1	BRKT, HEATER MOUNT		
9	86318750	1	HEATER ASM, 1850W, 120V		
10	86006180	1	PLUG, 1/8 MPT HEX BRASS		
11	86199980	1	CARTRIDGE HEATER, 5/8" X 10"		
12	86201790	1	THERMOSTAT RESET 302		
13	86200870	7	SCR, 6 X 3/16, PHSMS, B		
14	86010650	3	WASHER, #10 X 9/16 FLAT		
15	86266020	1	TERM, 14GA. .25 FEMALE		
16	86266130	1	TERM, 14GA. MALE COUPLER FI		
17	86317510	1	THERMOSTAT W/VERT SPADE		
18	86317730	1	INSULATION, HEATER		
19	86326680	1	HEATER CART. CASE WELDED		
20	86202220	4	WASHER #5 SS 135ID X 312 OD		

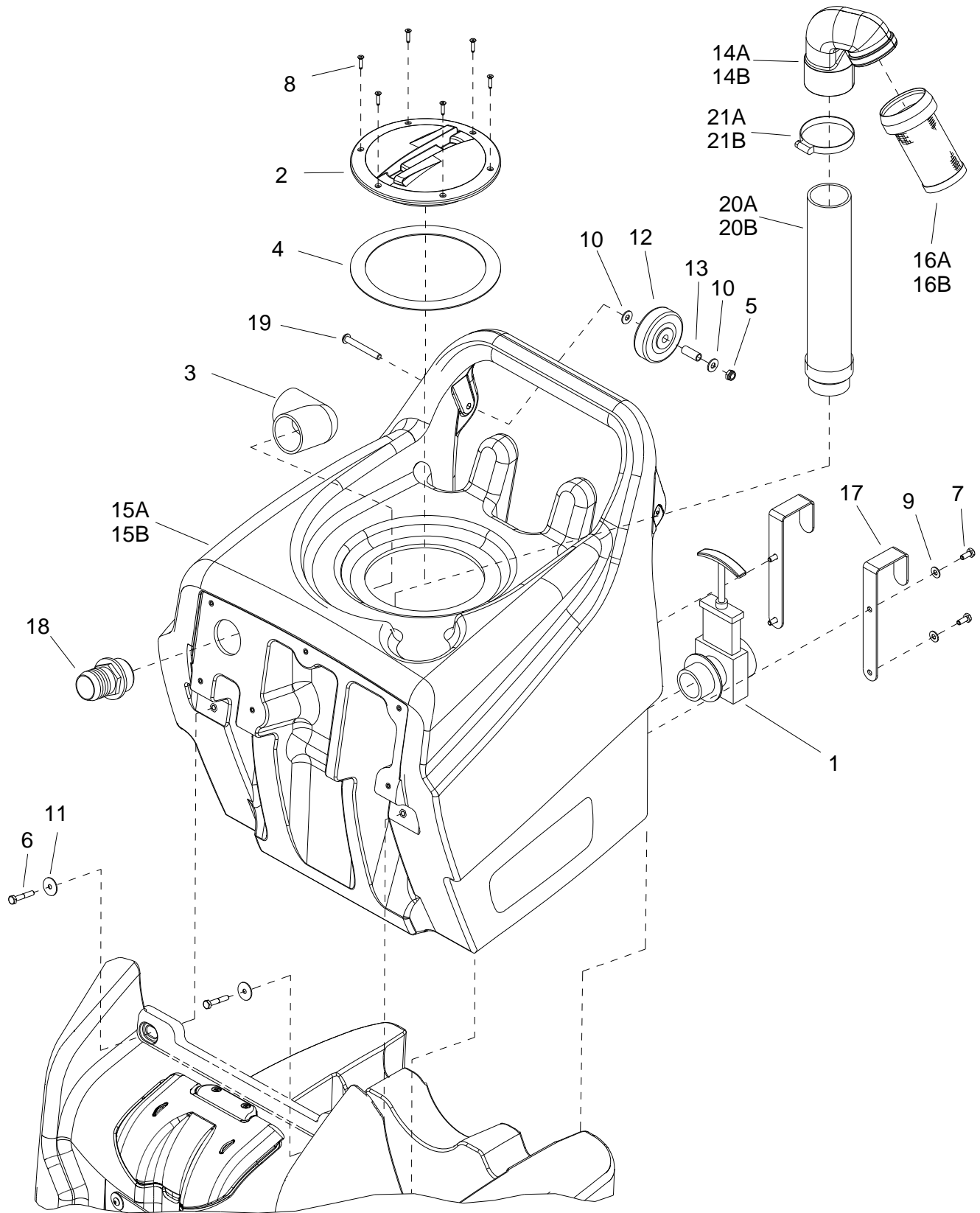


REF	PART NO.	QTY	DESCRIPTION	SERIAL NO. FROM	NOTES
1	86190520	2	PLUG, 3/8 SOCHD BR		
2	86200260	2	HOSE,PULSE 47.0 1/4MPT X 1/4MPT		
3	86005710	1	NUT, 1/4-20 HEX W/STAR WASHER		
4	86197270	1	ADPTR, 1/4MPT X 1/4FPT BR		
5	86197290	1	BUSHING, 3/8 MPT X 1/4 FPT HEX		
6	86233150	2	CLAMP, 3/8 WORM GEAR		
7	86197360	2	ELBOW, 1/4 NPT STREET		
8	86197420	1	ELBOW, 3/8NPT STREET		
9	86282320	1	HOSE, 1/2ID WIRE BOUND X 26"		
10	86240500	1	HOSEBARB, 3/8MPT X 3/8HOSE 90		
11	86270960	4	NUT, 1/4-20 CAPTIVE		
12	86274750	4	SCR, 1/4-20 X 3/4 HHCS PLTD		
13	86197760	1	TEE, 1/4 STREET		
14	86233410	1	CLAMP, 3/4 DIA CUSHION .406 DIA		
15	86010630	10	WASHER, 1/4 X 5/8 FLAT SS		
16	86317550	1	HOSEBARB, 3/8 MPT X 1/2 90 BR		
17	86364370	1	MOTOR, M58 500PSI 120/230V		
18	86318990	1	PUMP, SERIES 207V		
19	86321290	1	BPR, 500PSI		
20	86321470	1	HOSE, 3/8ID WIRE BOUND X 26"		
21	86317590	1	HOSE, 10" 1/4JIC X 1/8MPT SS		
22	86270850	3	NUT, 8-32 HEX NYLOCK		
23	86321660	1	ELBOW, 1/4 MPT X 1/8 FPT		
24	86355740	1	BRKT, P/P BPR		
25	86365240	1	HARNESS, 500PSI PUMP		

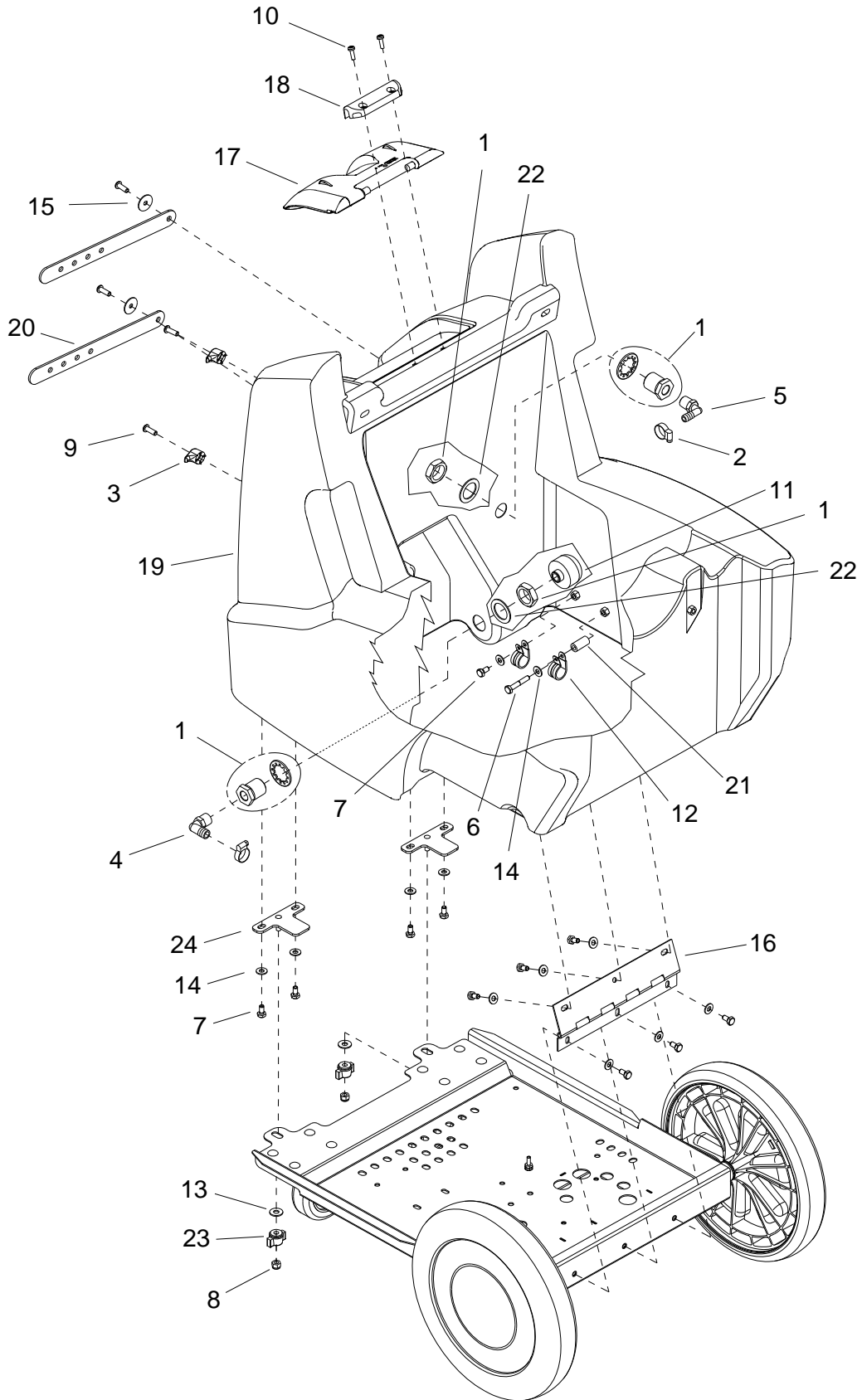
# Pump with Heat



REF	PART NO.	QTY	DESCRIPTION	SERIAL NO. FROM	NOTES
1	86190520	2	PLUG, 3/8 SOCHD BR		
2	86364360	1	HOSE, PULSE 19.5" X 1/4MPT X 1/4MPT		
3	86006790	1	SCREW, 10-32 X .375 SLTDHWH STL BLKOX		
4	86197270	1	ADPTR, 1/4MPT X 1/4FPT BR		
5	86197290	1	BUSHING, 3/8 MPT X 1/4 FPT HEX		
6	86233150	2	CLAMP, 3/8 WORM GEAR		
7	86197360	2	ELBOW, 1/4 NPT STREET		
8	86197420	1	ELBOW, 3/8NPT STREET		
9	86282320	1	HOSE, 1/2ID WIRE BOUND X 26"		
10	86240500	1	HOSEBARB, 3/8MPT X 3/8HOSE 90		
11	86270960	2	NUT, 1/4-20 CAPTIVE		
12	86274750	2	SCR, 1/4-20 X 3/4 HHCS PLTD		
13	86197760	1	TEE, 1/4 STREET		
14	86314700	1	CLAMP, CABLE, 1-3/4 "P" CUSHION		
15	86010630	2	WASHER, 1/4 X 5/8 FLAT SS		
16	86317550	1	HOSEBARB, 3/8 MPT X 1/2 90 BR		
17	86364370	1	MOTOR, M58 500PSI 120/230V		
18	86318990	1	PUMP, SERIES 207V		
19	86321290	1	BPR, 500PSI		
20	86321470	1	HOSE, 3/8ID WIRE BOUND X 26"		
21	86317590	1	HOSE, 10" 1/4JIC X 1/8MPT SS		
22	86270850	3	NUT, 8-32 HEX NYLOCK		
23	86200260	1	HOSE, PULSE 47.0 1/4MPTX1/4MPT		
24	86355740	1	BRKT, P/P BPR		
25	86321660	1	ELBOW, 1/4 MPT X 1/8 FPT		
26	86365240	1	HARNESS, 500PSI PUMP		

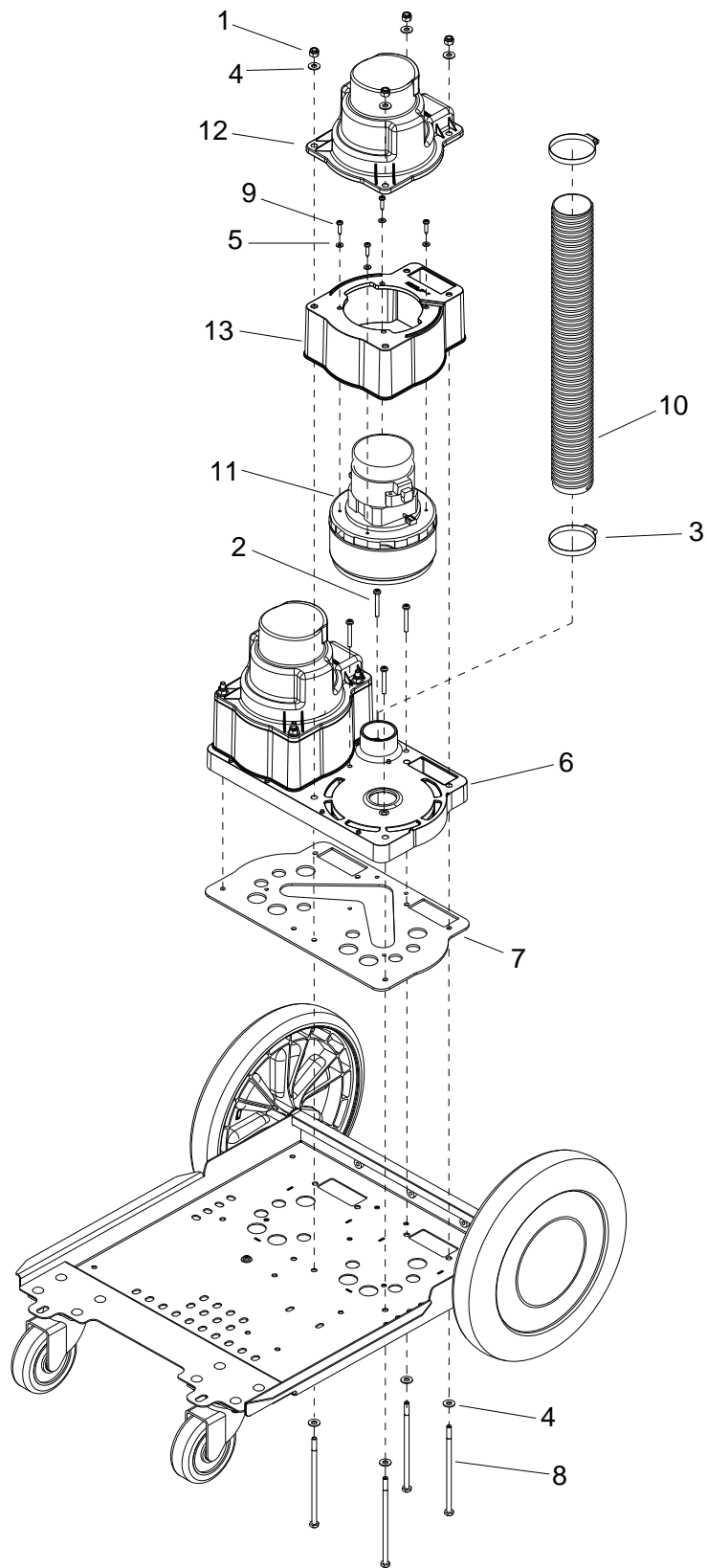


REF	PART NO.	QTY	DESCRIPTION	SERIAL NO. FROM	NOTES
1	86161460	1	DUMP VALVE, 1 1/2		
2	86334490	1	DECK PLATE ASM, 6", YLW		
3	86197820	1	ELBOW, 1.5 FPT X FS PVC		
4	86004000	1	GASKET, TANK LID		
5	86197040	2	NUT, 5/16-18 HEX ACORN PLTD		
6	86273740	2	SCR, 1/4-20 X 1.50 HHCS SS		
7	86273750	4	SCR, 1/4-20 X 5/8 HHCS SS		
8	86275800	6	SCR, 8 X 3/4 PFHT/S BLK ZINC		
9	86010630	4	WASHER, 1/4 X 5/8 FLAT SS		
10	86010670	6	WASHER, 5/16 X 3/4 SS		
11	86323330	2	WASHER, 1/4 ID X 1.0 OD FLAT BLK		
12	86011020	2	WHEEL, 3" DIA. CUSHION RUBBER		
13	86001350	2	BUSHING, SPANNER .435 X 1.10		
14A	86311510	1	ADAPTER, FLOAT 30 DEG, 2		W/ HEAT
14B	86227120	1	ADAPTER, FLOAT 30 DEG		W/O HEAT
15A	86312360	1	TANK, RECOVERY, TRIMMED		W/ HEAT
15B	86321990	1	TANK, RECOVERY, TRIMMED, 1.5		W/O HEAT
16A	86313040	1	SCRN, FLOAT, SHTOFF, 2		W/ HEAT
16B	8619-9840	1	SCRN, FLOAT, CAGE ASSY		W/O HEAT
17	86316710	2	BRKT, CORD, MOUNT		
18	86317230	1	HOSEBARB, 1.5MPT X 1.5 W/FLNG		
19	86317720	2	SCR, 5/16-18 X 2.50 BSHCS SS		
20A	86320790	1	PIPE ASM, 2", VACUUM		W/ HEAT
20B	86321720	1	PIPE ASM, 1.5", VACUUM		W/O HEAT
21A	86233120	1	CLAMP, 2.75" WORM GEAR		W/ HEAT
21B	86002380	1	CLAMP, 2.25" WORM GEAR		W/O HEAT



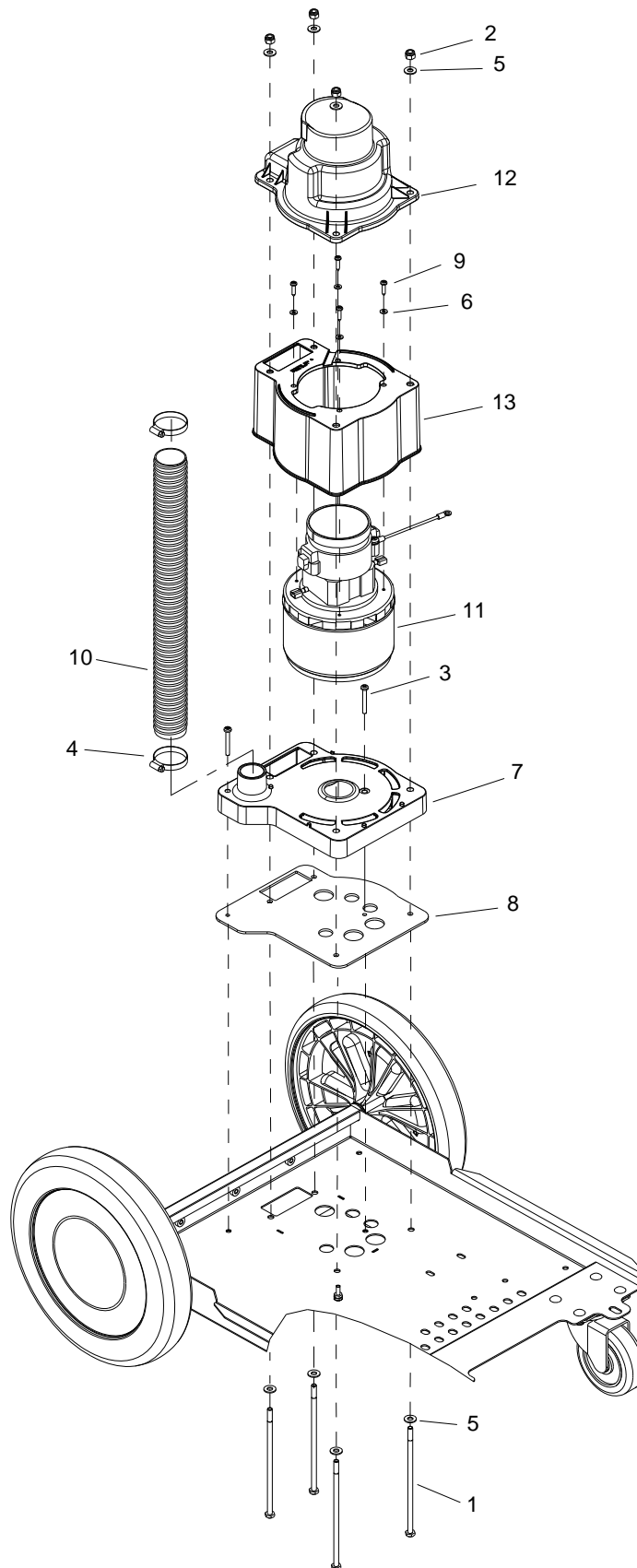


REF	PART NO.	QTY	DESCRIPTION	SERIAL NO. FROM	NOTES
1	86173640	2	ADPT,3/8 BLKHD		
2	86233150	2	CLAMP, 3/8 WORM GEAR		
3	86238460	2	HOOK, STRAP		
4	86317550	1	HOSEBARB, 3/8 MPT X 1/2 90 BR		
5	86001550	1	HOSEBARB, 3/8 MPT X 3/8 HOSE 90°		
6	86273740	1	SCR, 1/4-20 X 1.50 HHCS SS		
7	86273830	11	SCR, 1/4-20 X 1/2 HHCS SS		
8	86005810	2	NUT, 1/4-20 HEX NYLOCK SS		
9	86324210	4	SCR, 1/4-20 X 5/8 BHCS BLK		
10	86276160	2	SCR, 10-32 X 5/8 PPHMS BLK		
11	86007970	1	STRAINER, 3/8 IN. NPT 60 MESH		
12	86233410	2	CLAMP, 3/4 DIA CUSHION .406 DIA		
13	86010670	2	WASHER, 5/16 X 3/4 SS		
14	86010630	12	WASHER, 1/4 X 5/8 FLAT SS		
15	86323330	2	WASHER, 1/4 ID X 1.0 OD FLAT BLK		
16	86311990	1	HINGE, 9.5" LG X .074 THK		
17	86312000	1	LID, SOLUTION, COVER		
18	86312010	1	LID, SOLUTION, HINGE BRKT		
19	86321370	1	TANK, SOL, TRIM		
20	86297620	2	STRAP, HAND TOOL		
21	86317560	1	SPACER, .50 ODX .28 ID X 1.0L		
22	86318790	2	WASHER, 1.032ID X 1.5OD X .062THK		
23	86242130	2	KNOB, 1/4 HEX PRESS-LOC WING		
24	86324030	2	PLATE, MOUNTING, SOLUTION		

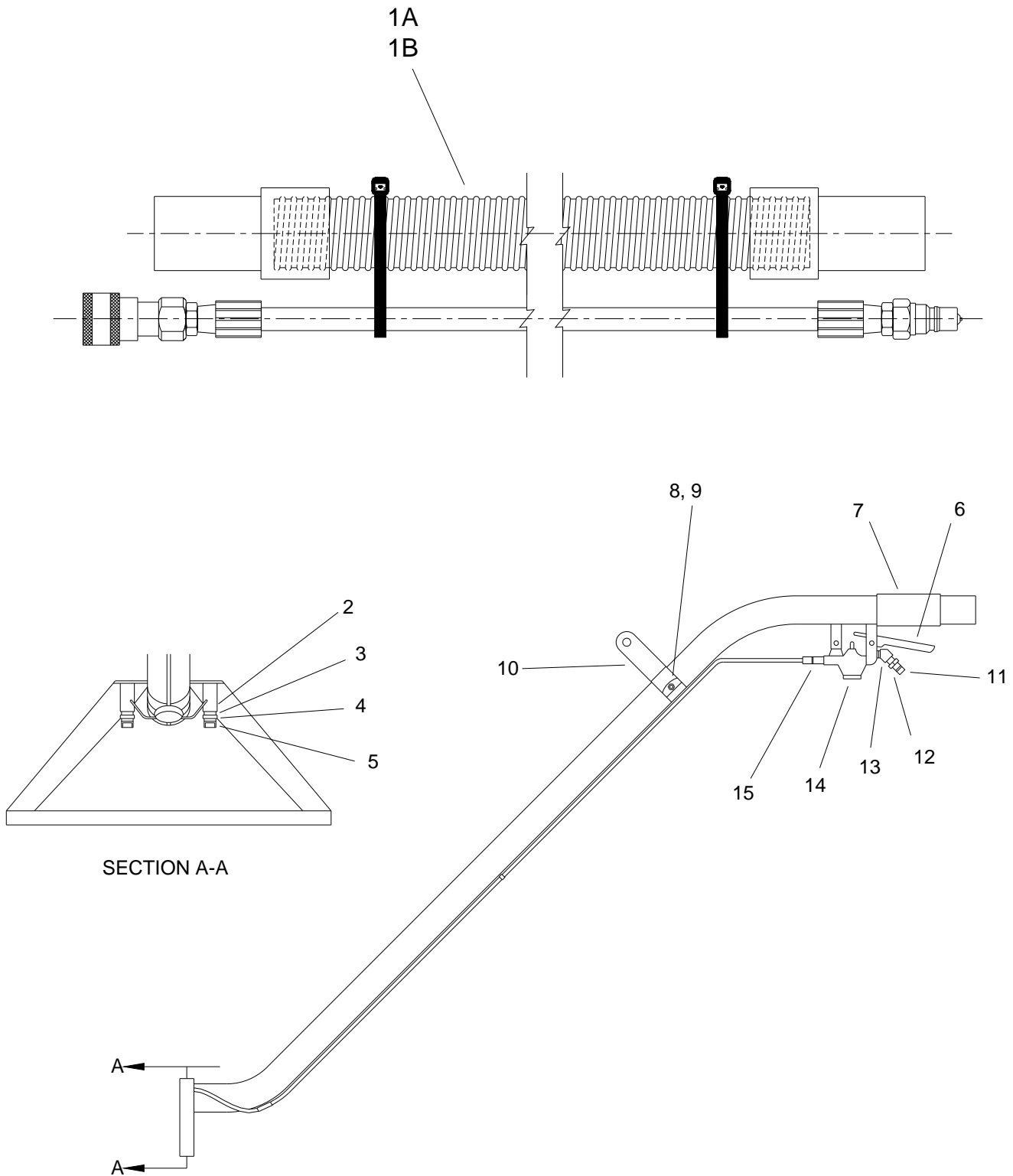


REF	PART NO.	QTY	DESCRIPTION	SERIAL NO. FROM	NOTES
1	86005810	8	NUT, 1/4-20 HEX NYLOCK SS		
2	86274090	5	SCR, 10-32 X 1.5 PPHMS		
3	86233430	2	CLAMP, 2.50 WORM GEAR		
4	86010630	16	WASHER, 1/4 X 5/8 FLAT SS		
5	86278990	8	WASHER, #8 X 3/8 FLAT		
6	86311520	1	MANIFOLD, VACUUM, DUAL		
7	86312990	1	GASKET, VAC MANIFOLD, DUAL		
8	86314710	8	SCR, 1/4-20 X 5.50 HHCS PLT		
9	86317630	8	SCR, #8 X 3/4" PPHSMS TYPE AB		
10	86318300	1	HOSE, VAC, 2.0 ID X 18.5"L		
11	86318760	2	VAC ASM, 2-STAGE, 120V		
-	86135320	-	SP BRUSHES SET (120V VAC)		
12	86312080	2	COVER, VAC MOTOR		
13	86312220	2	BASE, VAC MOTOR, 2-STAGE		
-	86319020	-	VAC HOUSING, 2-STAGE		INCLUDES 12, 13

*Vacuum without Heat (Single Vacuum)*



REF	PART NO.	QTY	DESCRIPTION	SERIAL NO. FROM	NOTES
1	86277840	4	SCR, 1/4-20 X 6.5 HHCS PLT		
2	86005810	4	NUT, 1/4-20 HEX NYLOCK SS		
3	86274090	2	SCR, 10-32 X 1.5 PPHMS		
4	86002390	2	CLAMP, 1.75 WORM GEAR X .312		
5	86010630	8	WASHER, 1/4 X 5/8 FLAT SS		
6	86278990	4	WASHER, #8 X 3/8 FLAT		
7	86312340	1	MANIFOLD, VACUUM		
8	86313810	1	GASKET, VAC MANIFOLD, SINGLE		
9	86317630	4	SCR, #8 X 3/4" PPHSMS TYPE AB		
10	86239910	1	HOSE, VAC, 1.5 ID X 17"L		
11	86318770	1	VAC ASM, 3-STAGE, 120V		
-	86135320	-	SP BRUSHES SET (120V VAC)		
12	86312080	1	COVER, VAC MOTOR		
13	86312120	1	BASE, VAC MOTOR, 3-STAGE		
-	86319030	-	VAC HOUSING, 3 STAGE		INCLUDES 12, 13



REF	PART NO.	QTY	DESCRIPTION	SERIAL NO. FROM	NOTES
1A	86241890		KIT, HOSE ASM 25' HP/1.5"-VAC		
1B	86260740		HOSE ASM,16.5' HP-M/1/5"-VAC		
2	86241500		JET BODY, 1/4MPT		
3	86201720		TEE-JET CHECK VALVE FINE		
4	86002820		CAP NOZZLE		
5	86201670		TEE JET TIP 9501 S/S		
6	86136900		SOLUTION LEVER/DIP W/HDWR		
7	86202200		WAND GRIP 1 1/2 X 6		
8	86273750		SCR, 1/4-20 X 5/8 HHCS SS NP		
9	86005710		NUT 1/4-20 HEX W/STAR WASHER		
10	86135760		HANDLE GRIP ASSEMBLY 1.5"T		
11	86005580		NIPPLE 1/4 FPT QD		
12	86005590		NIPPLE 1/4 CLOSE		
13	86197390		ELBOW, 1/4NPT 45D STREET		
14	86137260		VALVE, SOLUTION		
15	86197320		CONNECTOR, 1/4MPT X 1/4 TUBE		
-	86000600		DELUXE PROFESSIONAL WAND		COMPLETE

*Serial Number*

---

REF. NO.	MODEL: SERIAL #
1	N/A



