

Spare parts list
(5.970-979.0) Spare parts list Saber Blade 16

Table of contents

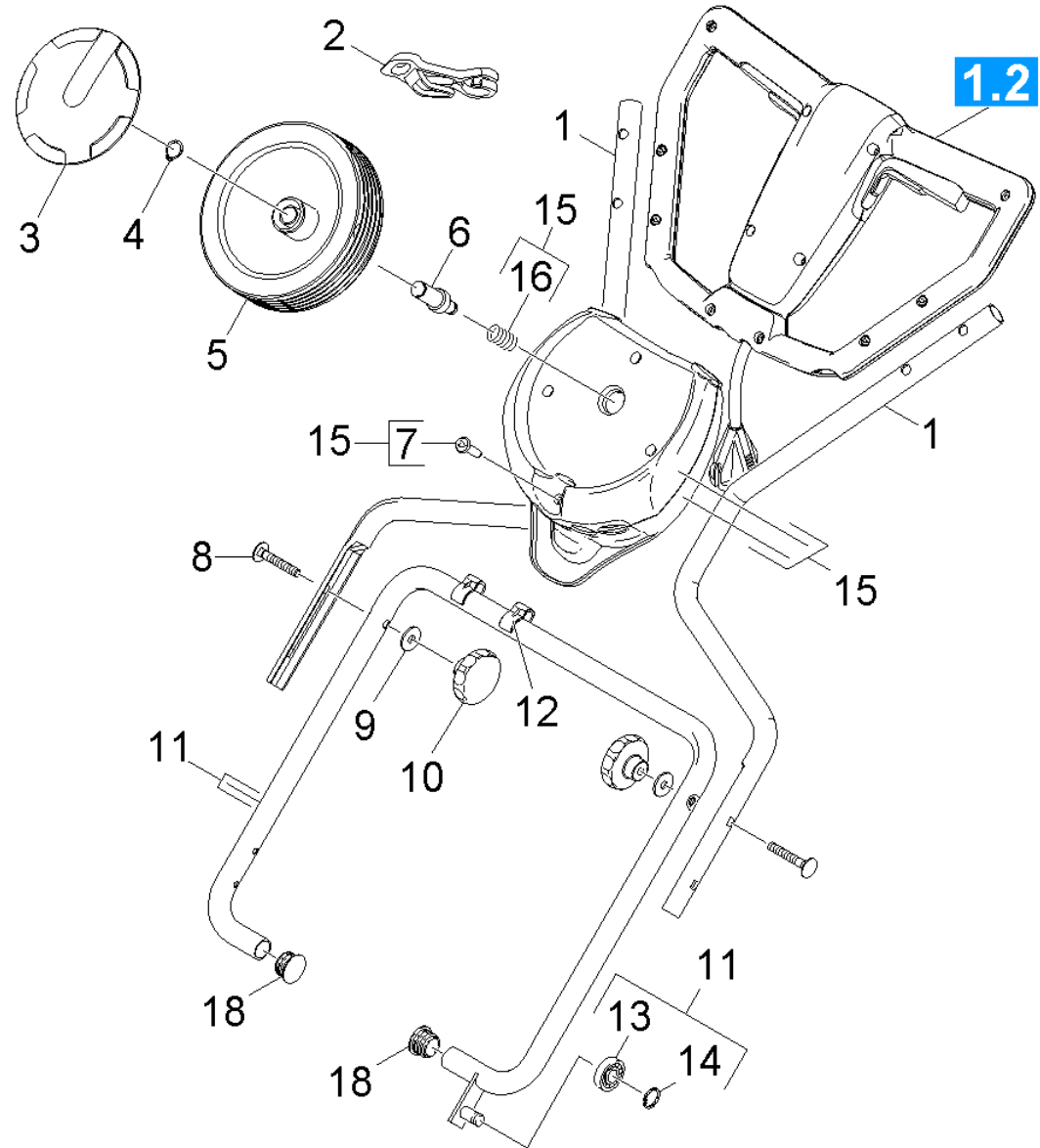
Spare parts list Saber Blade 16 (5.970-979.0)	3
10 Retaining bracket and switch (0.201-287.0)	4
11 Retaining bracket (0.201-288.0)	5
12 Switch (0.201-289.0)	7
20 Top part (0.201-291.0)	9
21 Tank (0.201-290.0)	10
22 Individual parts (0.201-292.0)	12
30 Bottom part individual parts (0.201-293.0)	15
31 Brush housing (0.201-294.0)	16
32 Transmission (0.201-295.0)	19
40 Chassis (0.201-279.0)	22
50 Accessories pad roll (0.162-883.0)	24

Spare parts list Saber Blade 16 (5.970-979.0)

Pos	Material #	Name	Qty.	Unit
10	0.201-287.0	Retaining bracket and switch	1.000	ST
20	0.201-291.0	Top part	1.000	ST
30	0.201-293.0	Bottom part individual parts	1.000	ST
40	0.201-279.0	Chassis	1.000	ST
50	0.162-883.0	Accessories pad roll	1.000	ST

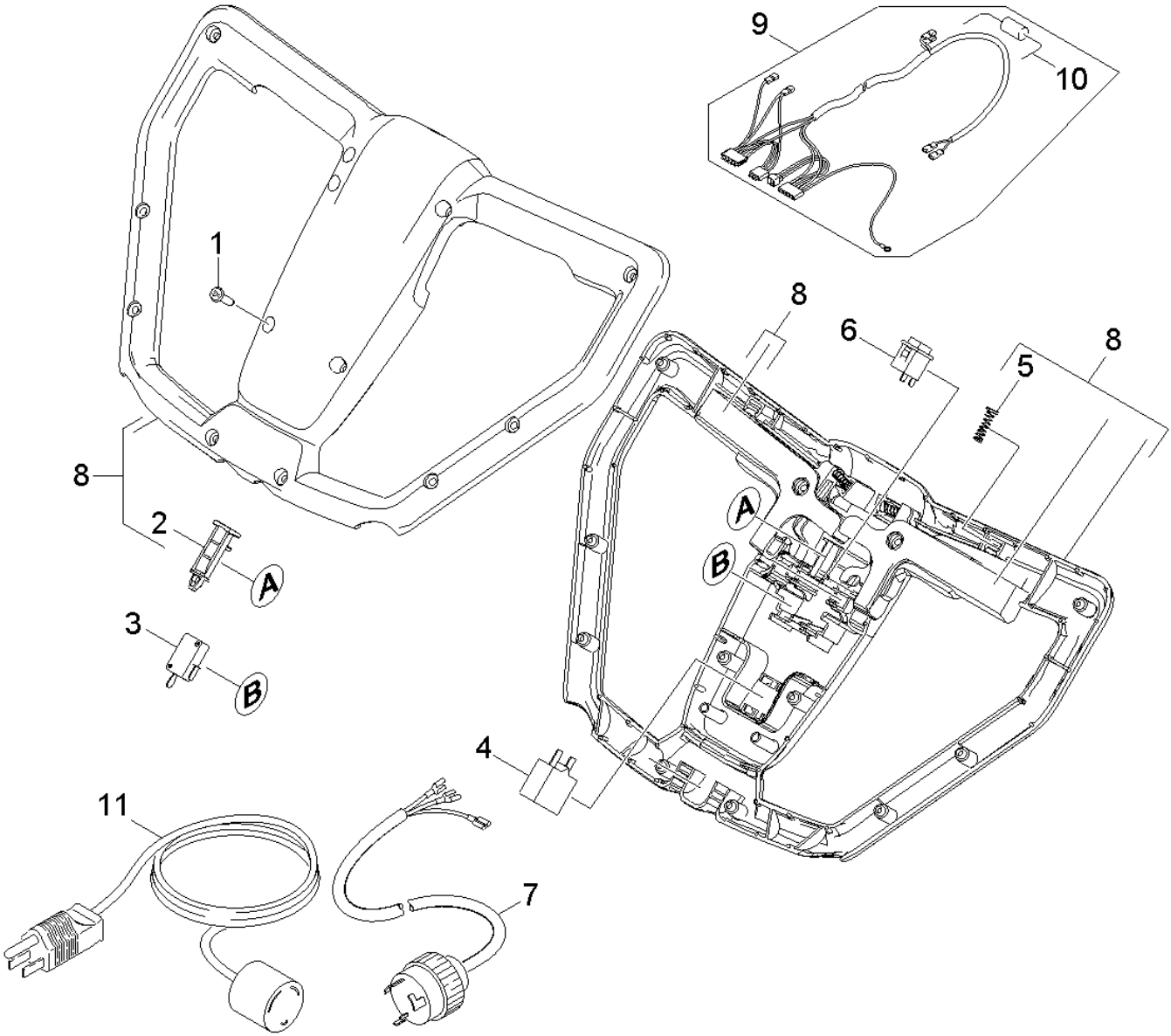
10 Retaining bracket and switch (0.201-287.0)

Pos	Material #	Name	Qty.	Unit
11	0.201-288.0	Retaining bracket	1.000	ST
12	0.201-289.0	Switch	1.000	ST



11 Retaining bracket (0.201-288.0)

ET/VT (spare/wear parts)	Pos	Material #	Name	Qty.	Unit
	1	5.034-783.0	Retaining bracket top part	2.000	ST
	2	6.641-776.0	Strain relief	1.000	ST
	3	6.435-349.0	Wheel cap black neutrally	2.000	ST
X-X	4	7.343-005.0	Locking ring 16x1-FST-PHR DIN 471	2.000	ST
X-X	5	6.435-196.0	Wheel D 180	2.000	ST
	6	5.034-795.0	Axle feed wheel	2.000	ST
X-X	7	7.303-108.0	Screw 5x20 -10.9-R2R (In6Rd)	4.000	ST
	8	7.303-009.0	Saucer-head screw M8x50-8.8-A2E DIN 603	2.000	ST
	9	7.312-277.0	Washer 8-200HV-A2E ISO7093-1	2.000	ST
	10	6.321-224.0	Turning knob grey D55mm	2.000	ST
	11	4.034-201.0	Retaining bracket bottom part replacemen	1.000	ST
X	12	5.050-426.0	Cable clip D22	2.000	ST
X	13	7.401-149.0	Ball bearing 608-2RS -Wälzl.St DIN 625	1.000	ST
	14	7.343-300.0	Lock washer 7-A2 DIN 6799	1.000	ST
	15	4.783-003.0	Set wheel vat	1.000	ST
	16	5.332-981.0	Pressure spring	2.000	ST
	18	6.368-173.0	Drain plug	2.000	ST

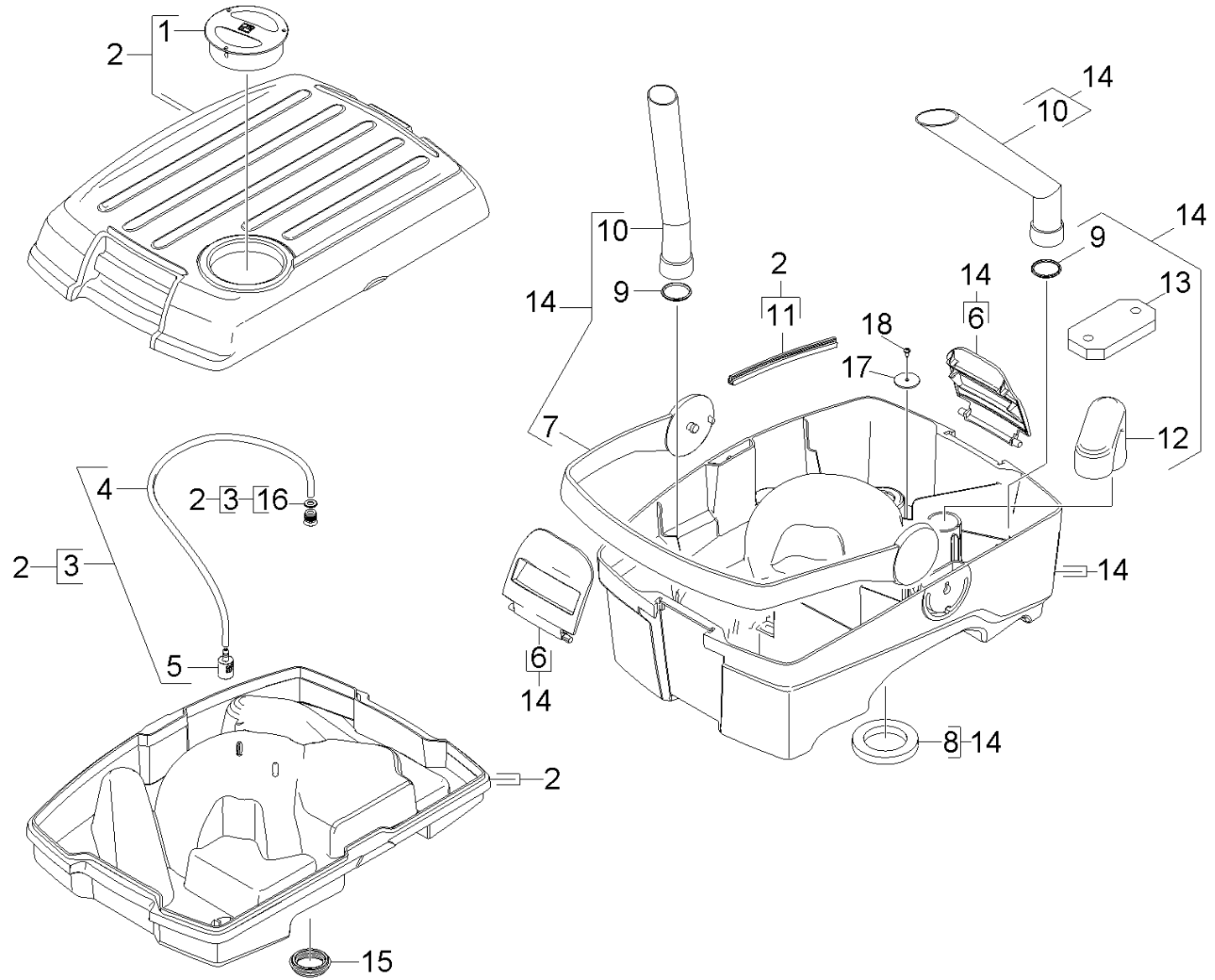


12 Switch (0.201-289.0)

ET/VT (spare/wear parts)	Pos	Material #	Name	Qty.	Unit
X-X	1	7.303-108.0	Screw 5x20 -10.9-R2R (In6Rd)	12.000	ST
	2	5.050-433.0	Slide of a press switch	1.000	ST
X-X	3	6.630-426.0	Main switch	2.000	ST
	4	6.630-428.0	Motor protecting switch 9A	1.000	ST
X-X	5	5.332-944.0	Spring conical	5.000	ST
X	6	6.630-427.0	Switch water pump	2.000	ST
X	7	6.649-696.0	Power cable SaberBlade 16	1.000	ST
	8	4.783-007.0	Set operating unit replacement	1.000	ST
X	9	6.649-685.0	Cable harness BR 40/10C KNA	1.000	ST
X	10	6.664-059.0	Diode Typ EM 513	1.000	ST
	11	8.623-411.0	CORD SET,14/3 SJTW-A X 50' YLW	1.000	ST

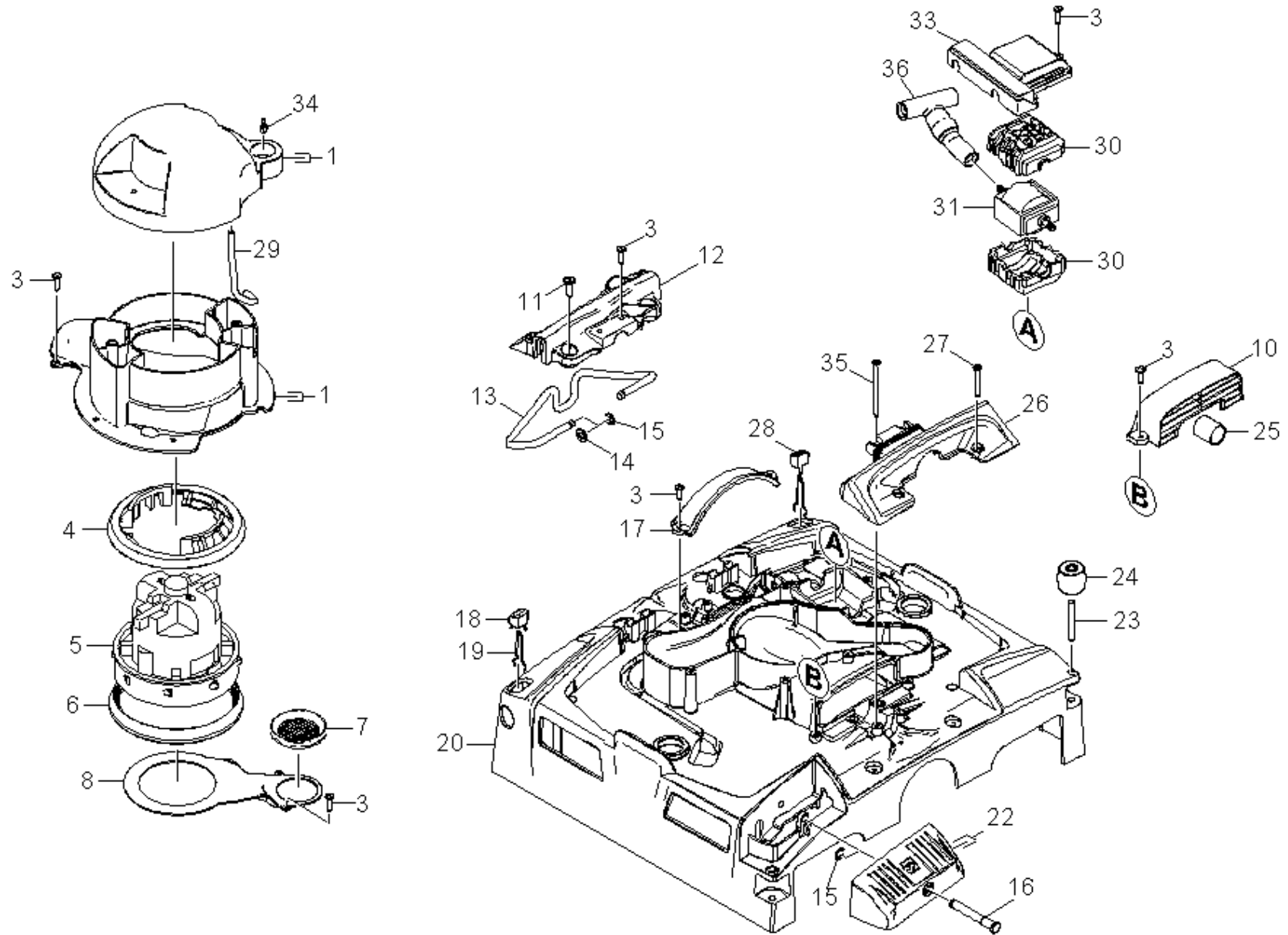
20 Top part (0.201-291.0)

Pos	Material #	Name	Qty.	Unit
21	0.201-290.0	Tank	1.000	ST
22	0.201-292.0	Individual parts	1.000	ST



21 Tank (0.201-290.0)

ET/VT (spare/wear parts)	Pos	Material #	Name	Qty.	Unit	Footnote text
X-X	1	5.050-732.0	Cover metering fresh water	1.000	ST	
X-X	2	4.783-006.0	Tank replacement	1.000	ST	
X	3	4.033-753.0	Valve tank completely	1.000	ST	
	4	6.388-216.0	Hose DN 5	1.000	M	TO ORDER AS CUT GOODS
X	5	5.731-664.0	Filter with weight	1.000	ST	
X-X	6	5.051-263.0	Closure tank	2.000	ST	
X	7	5.050-314.0	Carrier handle tank	2.000	ST	
X-X	8	5.034-868.0	Joint ring	1.000	ST	
X-X	9	6.362-108.0	O-Ring seal 30,0 X 3,0	2.000	ST	
	10	5.050-457.0	Suction tube waste water tank	2.000	ST	
X-X	11	6.273-282.0	Profile gasket 8,4x7	1.000	M	TO ORDER AS CUT GOODS
	12	5.050-401.0	Elbow float	1.000	ST	
X-X	13	5.585-060.0	Float BR 40/10	1.000	ST	
	14	4.034-198.0	Tank waste water blue	1.000	ST	
X-X	15	5.050-541.0	Form seal valve	1.000	ST	
X-X	16	7.312-014.0	Washer 10-A4 ISO 7090	1.000	ST	ORDER ACCORDING TO CONSUMPTION
	17	5.099-933.0	Washer	1.000	ST	
	18	7.303-243.0	Screw 4x8 -A2-70 (K-IN6RD)	1.000	ST	



22 Individual parts (0.201-292.0)

ET/VT (spare/wear parts)	Pos	Material #	Name	Qty.	Unit	Footnote text
X-X	1	4.033-327.0	Set Housing Valve	1.000	ST	
X-X	3	7.303-108.0	Screw 5x20 -10.9-R2R (In6Rd)	18.000	ST	
	4	5.050-362.0	Seal above vac motor	1.000	ST	
	5	6.681-134.0	Set turbine replacement BR 40/10 100V-12	1.000	ST	
X	6	5.050-363.0	Seal bottom vac motor	1.000	ST	
X-X	7	5.363-344.0	Joint ring	1.000	ST	
	8	5.050-449.0	Covering cap vacuum channel	1.000	ST	
X-X	9	7.303-107.0	Screw 5x16 -10.9-P2R (K-In6Rd)	4.000	ST	
	10	5.050-407.0	Splash guard right	1.000	ST	
	11	7.303-067.0	Screw M8x16-ST-A3R (IN6RD)	4.000	ST	
	12	5.050-413.0	Retaining bracket fixing left	1.000	ST	
	13	5.034-827.0	Retaining bracket adjustment	1.000	ST	
X-X	14	7.312-017.0	Washer 8-A2 ISO 7089	2.000	ST	
	15	7.343-300.0	Lock washer 7-A2 DIN 6799	3.000	ST	
	16	5.034-786.0	Bolt pedal	1.000	ST	
	17	5.050-406.0	Splash guard left	1.000	ST	
	18	5.050-728.0	Pusher rear grey	1.000	ST	
	19	5.034-839.0	Spring feed wheel	2.000	ST	
	20	5.050-308.0	Cover brush housing	1.000	ST	
	22	4.783-008.0	Set pedal replacement	1.000	ST	
	23	5.034-847.0	Bolt deflector roll	2.000	ST	
	24	5.050-405.0	Deflector roll	2.000	ST	
	25	6.034-003.0	Bush plain bearing	2.000	ST	
	26	5.050-414.0	Retaining bracket fixing right	1.000	ST	
	27	7.303-111.0	Screw 5x50 -10.9-R2R (K-In6Rd)	4.000	ST	

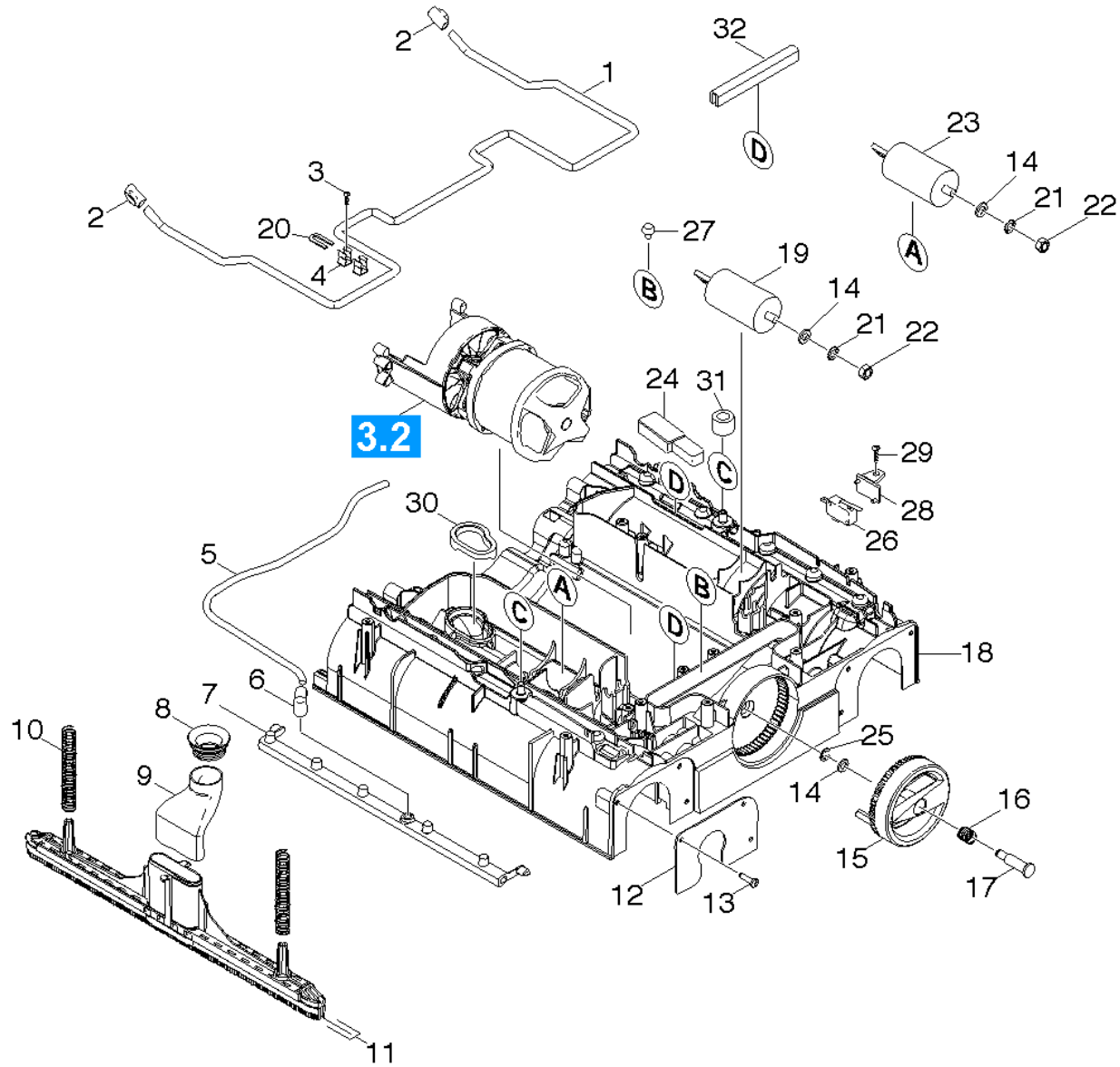
22 Individual parts (0.201-292.0)

ET/VT (spare/wear parts)	Pos	Material #	Name	Qty.	Unit	Footnote text
	28	5.050-726.0	Pusher front feed wheel grau	1.000	ST	
	29	6.388-216.0	Hose DN 5	1.000	M	TO ORDER AS CUT GOODS
	30	5.050-408.0	Bearing pump	2.000	ST	
X-X	31	6.473-532.0	Motor pump 120V 60Hz	1.000	ST	
	33	5.050-410.0	Cover pump	1.000	ST	
X-X	34	5.108-192.0	Pin valve	1.000	ST	
	35	7.303-171.0	Screw 5x80 -10.9-R2R (K-In6Rd)	2.000	ST	
X	36	4.050-956.0	Check valve	1.000	ST	

30 Bottom part individual parts (0.201-293.0)

Pos	Material #	Name	Qty.	Unit
31	0.201-294.0	Brush housing	1.000	ST
32	0.201-295.0	Transmission	1.000	ST

31 Brush housing (0.201-294.0)

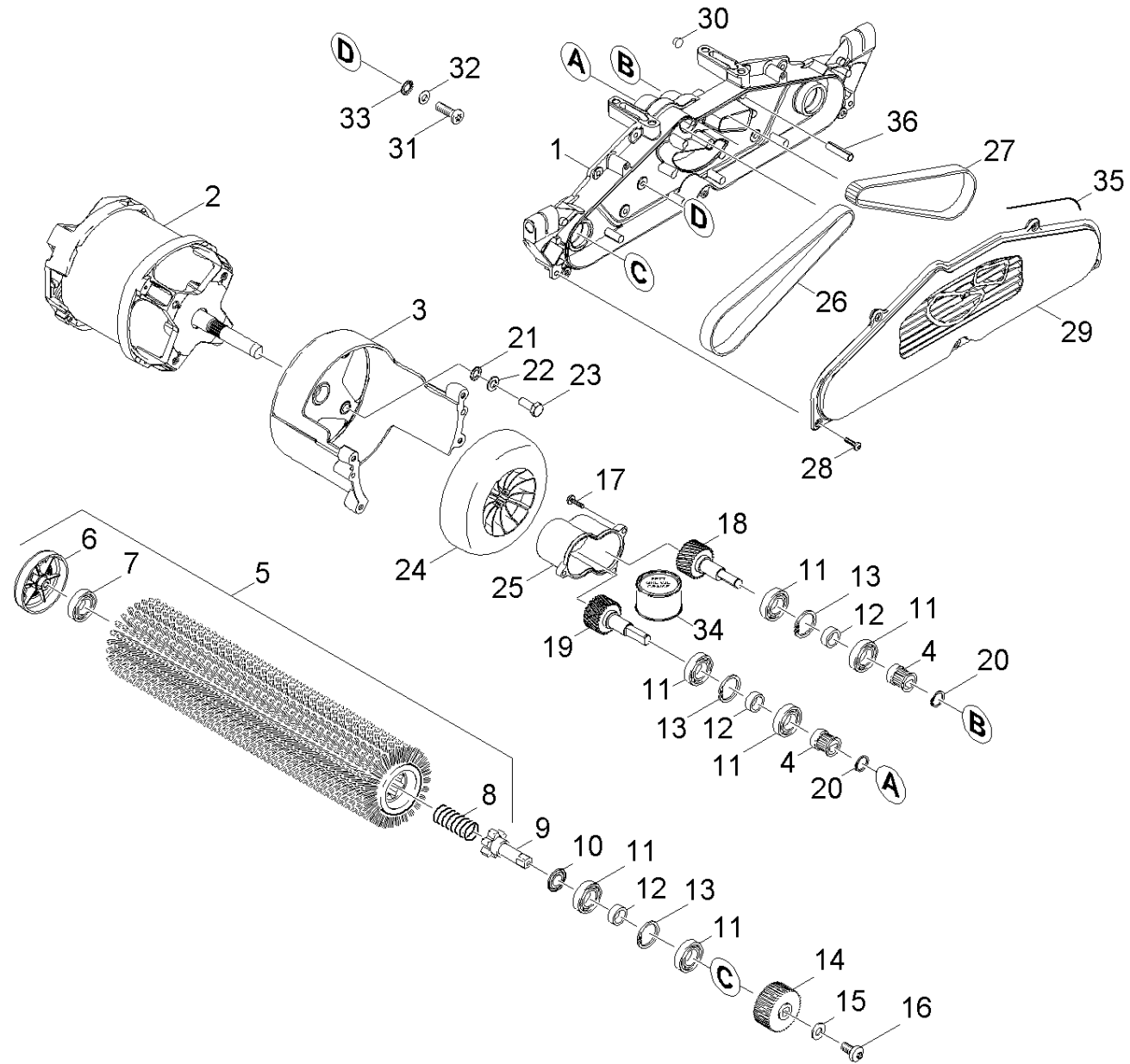


31 Brush housing (0.201-294.0)

ET/VT (spare/wear parts)	Pos	Material #	Name	Qty.	Unit	Footnote text
	1	5.034-784.0	Retaining bracket suction bar	1.000	ST	
	2	5.050-729.0	Pusher suction bar grey	2.000	ST	
	3	7.303-092.0	Screw 3x12 -10.9-R2R (K-In6Rd)	2.000	ST	
	4	6.330-410.0	Spring clip X130-8L	2.000	ST	
	5	6.388-216.0	Hose DN 5	1.000	M	TO ORDER AS CUT GOODS
	6	5.050-411.0	Angle bushing water distributor	2.000	ST	
	7	5.050-409.0	Water distributor	2.000	ST	
X-X	8	5.050-415.0	Joint ring	2.000	ST	
	9	5.050-404.0	Joining piece suction bar	2.000	ST	
X-X	10	5.332-216.0	Helical spring	4.000	ST	
X-X	11	4.777-322.0	Suction bar oil resistant complete	2.000	ST	OIL RESISTANT
X-X	11	4.777-323.0	Suction bar complete replacement	2.000	ST	
	12	5.034-799.0	Plate brush holder	2.000	ST	
X-X	13	7.303-212.0	Screw 5x20 -A2-70 (In6Rd)	6.000	ST	
X-X	14	7.312-004.0	Washer 8 -200HV-A3E ISO 7090	3.000	ST	
	15	5.050-748.0	Handle grey	1.000	ST	
	16	5.332-207.0	Helical spring	1.000	ST	
	17	5.034-929.0	Bolt carriage	1.000	ST	
	18	4.033-326.0	Brush housing replacement	1.000	ST	
	19	6.661-221.0	Capacitor	1.000	ST	
	20	5.034-873.0	Plate reinforcement	1.000	ST	
	21	7.312-233.0	Serrated lock washer A8,4-FSt-A3E DIN67	2.000	ST	
X-X	22	7.311-004.0	Hexagon nut M8 -8-A3E ISO 4032	2.000	ST	
	23	6.661-220.0	Capacitor	1.000	ST	
	24	6.682-975.0	Starting electronic MAS (d) 100-120V	1.000	ST	

31 Brush housing (0.201-294.0)

ET/VT (spare/wear parts)	Pos	Material #	Name	Qty.	Unit	Footnote text
	25	7.343-300.0	Lock washer 7-A2 DIN 6799	1.000	ST	
X-X	26	6.630-438.0	Micro switch	1.000	ST	
	27	6.339-249.0	Rubber buffer motor	2.000	ST	
	28	5.050-654.0	Retainer micro switch	1.000	ST	
X-X	29	7.303-108.0	Screw 5x20 -10.9-R2R (In6Rd)	1.000	ST	
	30	5.050-572.0	Seal exhaust air	1.000	ST	
X-X	31	5.034-894.0	Joint ring	2.000	ST	
X-X	32	6.273-055.0	Profile gasket	2.000	M	TO ORDER AS CUT GOODS

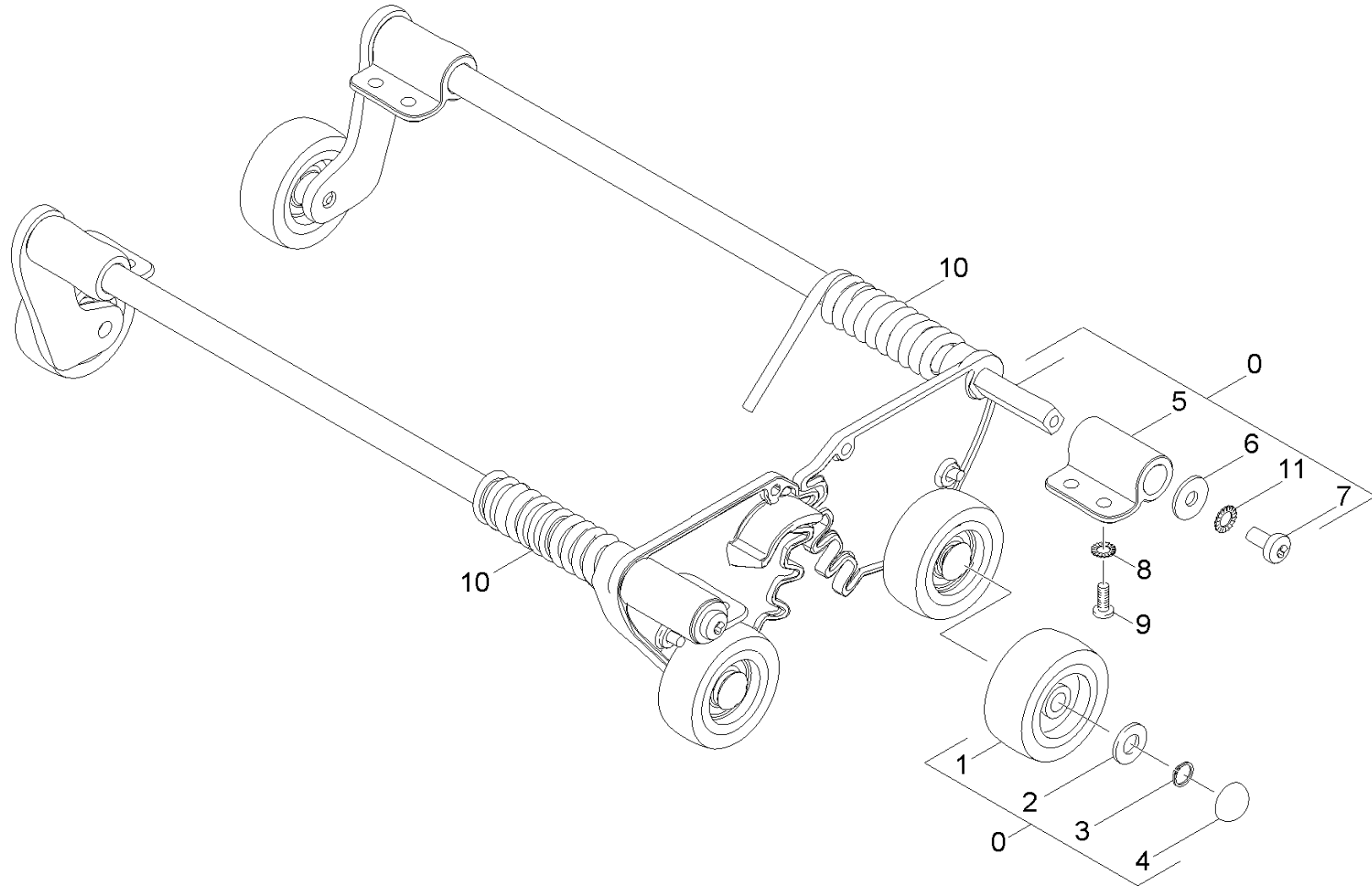


32 Transmission (0.201-295.0)

ET/VT (spare/wear parts)	Pos	Material #	Name	Qty.	Unit	var. information	Footnote text
	1	5.050-445.0	Gear case worked	1.000	ST		
	2	6.680-000.0	Electric motor 1,1 kW 120 V	1.000	ST		
	3	5.050-432.0	Flange motor worked	1.000	ST		
X-X	4	5.625-318.0	Belt pulley 21Z	2.000	ST		
X-X	5	4.762-251.0	Roller brush orange (old colour red)	2.000	ST		
X-X	5	4.762-481.0	Roller brush black complete	2.000	ST		
X-X	5	4.762-250.0	Roller brush white (old colour black)	2.000	ST		
X-X	5	4.762-252.0	Roller brush green (old colour grey)	2.000	ST		
X-X	5	4.762-274.0	Roller brush horsehair nature BR VS 400	2.000	ST		
X-X	5	4.762-458.0	Roller brush red complete	2.000	ST		
X-X	6	4.038-677.0	Sheet metal component thread deflector	2.000	ST		
X-X	7	6.401-363.0	Ball bearing	2.000	ST		
X-X	8	5.332-114.0	Helical spring	2.000	ST		
X	9	5.100-571.0	Driveshaft 59mm	2.000	ST		
X-X	10	6.363-292.0	Joint ring NILOS 6002	2.000	ST		
X-X	11	7.401-115.0	Ball bearing 6002-2RS -WÄELZLAGST DIN 62	8.000	ST		
X-X	12	5.110-686.0	Spacer sleeve	4.000	ST		
X-X	13	7.343-231.0	Locking ring 32x1,2 -St-ph DIN 472	4.000	ST		
X-X	14	5.625-357.0	Belt pulley 56Z HTD 3M	2.000	ST		
X-X	15	7.312-292.0	Washer 6 -A2 ISO 7093-1	2.000	ST		
X-X	16	7.306-192.0	Screw M 6x 12-A2-70 (In6Rd)	2.000	ST		
	17	7.303-039.0	Screw M5x16 -St-A2R (In6Rd)	3.000	ST		
X-X	18	4.100-125.0	Shaft gear left BR VS	1.000	ST		
X-X	19	4.100-234.0	Shaft gear right	1.000	ST		
X-X	20	7.343-003.0	Locking ring 12x1-Rf-St DIN 471	2.000	ST		

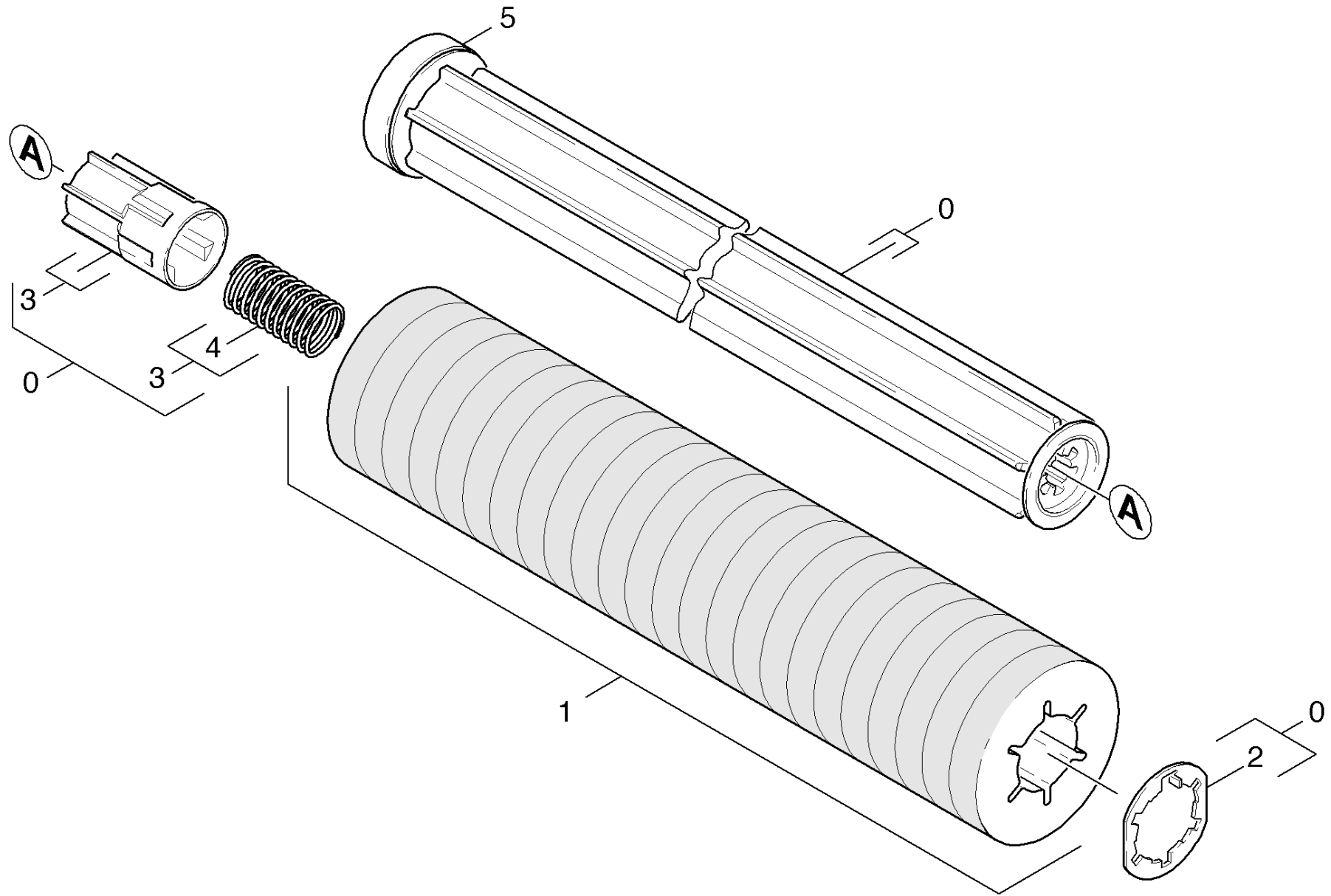
32 Transmission (0.201-295.0)

ET/VT (spare/wear parts)	Pos	Material #	Name	Qty.	Unit	var. information	Footnote text
	21	7.312-233.0	Serrated lock washer A8,4-FSt-A3E DIN67	4.000	ST		
X-X	22	7.312-017.0	Washer 8-A2 ISO 7089	4.000	ST		
X-X	23	7.304-397.0	Hexagonal head screw M8x20-8.8-A2E ISO	4.000	ST		
X	24	5.050-358.0	Blower wheel	1.000	ST		
	25	5.050-357.0	Cover gear	1.000	ST		
X-X	26	6.348-444.0	Toothed belt HTD-420-3M-15 CXPIII	1.000	ST		
X-X	27	6.348-431.0	Toothed belt HTD-474-3M-15 CXPIII	1.000	ST		
X-X	28	7.303-108.0	Screw 5x20 -10.9-R2R (In6Rd)	6.000	ST		
	29	5.050-310.0	Cover gear case	1.000	ST		
	30	6.368-347.0	Cap D5	1.000	ST		
X-X	31	7.306-105.0	Screw M6x30 -8.8-R3R (In6Rd)	4.000	ST		
X-X	32	7.312-003.0	Washer 6 -200HV-A3E ISO 7090	1.000	ST		
	33	7.312-232.0	Serrated lock washer A6,4-FSt-A3E DIN 6	4.000	ST		
	34	6.288-095.0	Viscous oil	1.000	ST	50g	
	35	6.273-037.0	Seal string cellular rubber 3	1.000	M		TO ORDER AS CUT GOODS
	36	7.314-944.0	Spring pin 5x24-St ISO 8752	2.000	ST		



40 Chassis (0.201-279.0)

ET/VT (spare/wear parts)	Pos	Material #	Name	Qty.	Unit
	0	3.034-008.0	Carriage complete	1.000	ST
X-X	1	6.435-373.0	Wheel traceless grey D50	4.000	ST
X	2	7.362-002.0	Joint ring A8x11,5 -Cu DIN 7603	4.000	ST
X	3	7.343-127.0	Locking ring 8x0,8 -Rf-St DIN 471	4.000	ST
	4	6.343-132.0	Lock washer 8	4.000	ST
X-X	5	5.050-397.0	Bearing flange carriage	4.000	ST
X-X	6	7.312-292.0	Washer 6 -A2 ISO 7093-1	4.000	ST
X-X	7	7.306-192.0	Screw M 6x 12-A2-70 (In6Rd)	4.000	ST
X-X	8	7.312-041.0	Serrated lock washer A5,3-1.4310 DIN 67	8.000	ST
X-X	9	7.303-212.0	Screw 5x20 -A2-70 (In6Rd)	8.000	ST
	10	4.034-179.0	Leg spring set	1.000	ST
X-X	11	7.312-020.0	Serrated lock washer A6,4-1.4310 DIN679	4.000	ST



50 Accessories pad roll (0.162-883.0)

ET/VT (spare/wear parts)	Pos	Material #	Name	Qty.	Unit	from ser.nr.	up to ser.nr.
X-X	0	4.762-228.0	Roll Pad BR VS 400	1.000	ST	0000000000	0000000000
X-X	1	6.369-726.0	Pad red with sleeve	1.000	ZSA	0000000000	0000000000
	1	6.369-727.0	Pad white with sleeve BR VS 400	1.000	ZSA	0000000000	0000000000
X-X	1	6.369-724.0	Pad yellow with sleeve	1.000	ZSA	0000000000	0000000000
X-X	1	6.369-725.0	Pad green with sleeve	1.000	ZSA	0000000000	0000000000
	2	4.115-003.0	Washer closure	1.000	ST	0000000000	0000000000
	3	5.120-313.0	Hub pad roll BR VS	1.000	ST	0000000000	0000000000
	4	5.332-469.0	Helical spring	1.000	ST	0000000000	0000000000
X-X	5	4.038-677.0	Sheet metal component thread deflector	1.000	ST	0000000000	0000000000