

PL370/470 Cradle

Quick Reference Guide



© 1999 - 2006 SYMBOL TECHNOLOGIES, INC. All rights reserved.

Symbol reserves the right to make changes to any product to improve reliability, function, or design.

Symbol does not assume any product liability arising out of, or in connection with, the application or use of any product, circuit, or application described herein.

No license is granted, either expressly or by implication, estoppel, or otherwise under any patent right or patent, covering or relating to any combination, system, apparatus, machine, material, method, or process in which Symbol products might be used. An implied license exists only for equipment, circuits, and subsystems contained in Symbol products.

Symbol and the Symbol logo are registered trademarks of Symbol Technologies, Inc. Other product names mentioned in this manual may be trademarks or registered trademarks of their respective companies and are hereby acknowledged.

Symbol Technologies, Inc.
One Symbol Plaza
Holtsville, N.Y. 11742-1300
<http://www.symbol.com>

Warranty

For the complete Symbol hardware product warranty statement, go to:
<http://www.symbol.com/warranty>.

Patents

This product is covered by one or more patents. For patent information go to:
<http://www.symbol.com/patents>.

Introduction

The PhaserLink 370/470 Radio Frequency (RF) cradle acts as a stand, host communication interface and a charger for the Phaser RF scanner. For convenience, the cradle can sit on a desktop or be mounted on a wall.

The cradle receives data from the scanner via radio frequency (RF) transmissions through the antenna, then transmits that data to the host device through an attached cable. The cradle also charges the scanner's battery pack (in the scanner).

Two versions of the cradle are available:

- PL470 cradle: radio retail version.
- PL370 cradle: radio industrial version.

This *Quick Reference Guide* provides basic instruction on the set up and use of the cradle. Unless otherwise noted, the term PhaserLink refers to all versions of the cradle.

Equipment Supplied

The following equipment is supplied:

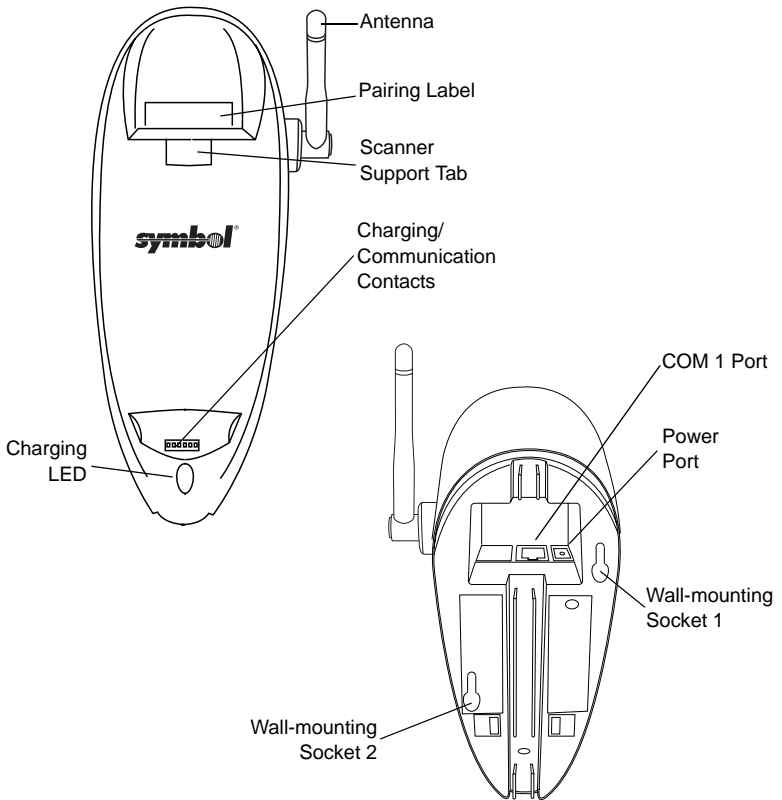
- Two Screws (for wall mounting).
- One Velcro strip (for desk mounting).
- Four rubber feet (for desk mounting).
- This Quick Reference Guide.
- PhaserLink cradle.

Save the shipping container for storing or shipping. Inspect all your equipment for damage. If anything is damaged or missing, call your authorized Customer Support Representative immediately.

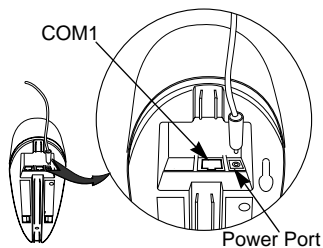
Related Documentation

- P370/470 RF Scanner Product Reference Guide, p/n 72-38495-xx
- P370/470 RF Scanner Quick Reference Guide, p/n 72-38493-xx.

Parts



Connecting to the Host

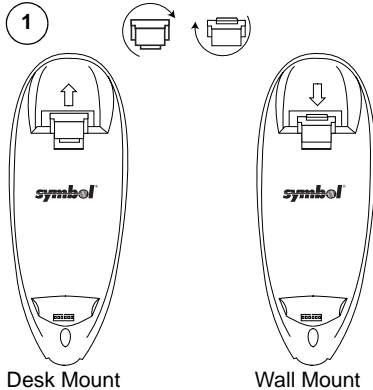


To connect the cradle to a host:

1. Insert the appropriate interface cable from the host computer into the COM1 port.
2. Connect the power connector of the power supply (p/n 50-19000-101) into the cradle power port. (The cradle cannot be powered by the host computer.)
3. Connect the appropriate line cord to the power supply and the other end to an AC power source.

Wall Mounting

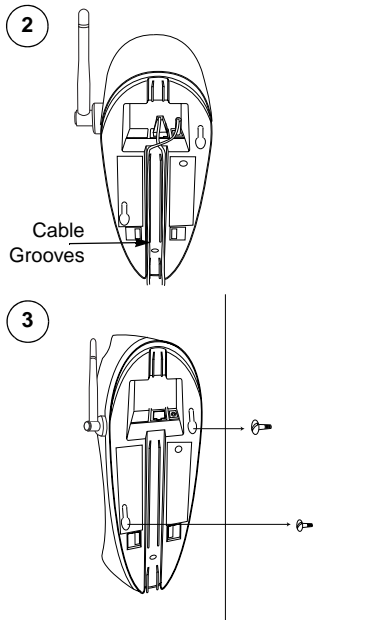
Before wall-mounting the cradle, the scanner support tab must be changed from the desk-mount position to the wall-mount position..



1. Lift the scanner support tab out of the top part of the cradle and replace it in the wall-mount position as shown.
2. Seat the cables from the bottom of the cradle in the grooves along the length of the cradle so that the bottom of the cradle is smooth and flat.
3. Secure two screws (included) to the wall. A template is provided on [page 14](#).

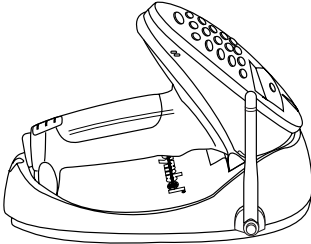
- Fasten the screws provided into the wall where the cradle should hang, leaving about 1/8" (0.3 cm) of the screw outside the wall for the cradle wall mounting sockets.

4. Place the cradle over the screw heads and slide down until it fits into place. Slight pressure upwards should not move the cradle.
5. Position the antenna vertically, pointing toward the ceiling.
6. Place the Phaser scanner in the cradle.



Inserting Phaser in the Cradle

Place the Phaser scanner in the cradle so that the top of the scanner sits in the larger part of the cradle and the metal contacts on the bottom of the scanner touch the contacts on the cradle.



Pairing

The wireless connection between the scanner and cradle is the low power radio transmission through RF transceivers in both the scanner and cradle. Communication consists of bidirectional message packets. However, the scanner and cradle must be paired for this communication to work.

- ✓ **NOTE** After a new host is installed at the cradle, re-scan the pairing bar code. This allows the cradle to notify the scanner of the change in the host device.

To pair the scanner with the cradle:

1. Scan the pairing bar code on the top of the cradle. A duplicate pairing bar code is located in the well on the bottom of the cradle.
2. Insert the scanner into the cradle (recommended but not required). Note that data cannot be scanned until linking (pairing) is complete.
3. During pairing there is an exchange of information between the scanner and the cradle. This occurs in a few seconds if the scanner is in the cradle and over a minute if the scanner is not in the cradle.
4. After the exchange is complete, the scanner and cradle are paired. Successful pairing is indicated by a warble beep; failure, or unsuccessful pairing, is indicated by a low/high beep.

Sending Data to the Host Computer

The cradle receives data from the scanner and transmits it to the host computer via the interface cable.

Recharging the Battery in the Phaser

To charge the scanner's battery, place the scanner in the cradle ensuring the metal contacts on the bottom of the scanner touch the contacts on the cradle. A

complete charge takes up to 4 hours, depending upon the remaining charge in the battery.

Charging LED

Once the scanner is placed in the cradle, it waits 15 minutes to start charging the battery in the scanner. The LED indicates the charging status as follows:

LED	Description
Off	The scanner is not in the cradle.
Slow Blink	Scanner is in cradle but not charging.
Fast Blink	Scanner is in cradle and charging.
On	Scanner is in cradle and the charge cycle is complete.

Troubleshooting

If the cradle does not work after following the operating instructions in this guide:

- check the system power.
- check for loose cable connections.
- ensure the scanner is sitting properly in the cradle.

Cleaning

Wipe the cradle periodically with a lens tissue or other material suitable for cleaning optical material, such as eyeglasses.



CAUTION Do not pour, spray or spill any liquid on the cradle.

Regulatory Information

All Symbol devices are designed to be compliant with rules and regulations in locations they are sold and are labeled as required.

Any changes or modifications to Symbol Technologies equipment, not expressly approved by Symbol Technologies, could void the user's authority to operate the equipment.



CAUTION Only use Symbol approved and UL Listed accessories, battery packs and battery chargers.

Do NOT attempt to charge damp/wet mobile computers or batteries. All components must be dry before connecting to an external power source.

Country Approvals

Regulatory markings are applied to the device signifying the radio (s) are approved for use in the following countries: United States, Canada, Australia, Japan and Europe.

Please refer to the Symbol Declaration of Conformity (DoC) for details of other country markings. This is available at <http://www2.symbol.com/doc/>.



Operation of the device without regulatory approval is illegal.

Health and Safety Recommendations



Ergonomic Recommendations



CAUTION In order to avoid or minimize the potential risk of ergonomic injury follow the recommendations below. Consult with your local Health & Safety Manager to ensure that you are adhering to your company's safety programs to prevent employee injury.

- Reduce or eliminate repetitive motion.
- Maintain a natural position.
- Reduce or eliminate excessive force.
- Keep objects that are used frequently within easy reach.
- Perform tasks at correct heights.
- Reduce or eliminate vibration.
- Reduce or eliminate direct pressure.
- Provide adjustable workstations.
- Provide adequate clearance.
- Provide a suitable working environment.
- Improve work procedures.

Vehicle or Forklift Installation

RF signals may affect improperly installed or inadequately shielded electronic systems in motor vehicles (including safety systems). Check with the manufacturer or its representative regarding your vehicle. You should also consult the manufacturer of any equipment that has been added to your vehicle.

Position your device within easy reach. Be able to access your device without removing your eyes from the road.



Warnings for Use of Wireless Devices

Please observe all warning notices with regard to the usage of wireless devices.

Potentially Hazardous Atmospheres

You are reminded of the need to observe restrictions on the use of radio devices in fuel depots, chemical plants etc. and areas where the air contains chemicals or particles (such as grain, dust, or metal powders) and any other area where you would normally be advised to turn off your vehicle engine.



Safety in Hospitals

Wireless devices transmit radio frequency energy and may affect medical electrical equipment. Wireless devices should be switched off wherever you are requested to do so in hospitals, clinics or healthcare facilities. These requests are designed to prevent possible interference with sensitive medical equipment.

Pacemakers

Pacemaker manufacturers recommended that a minimum of 15cm (6 inches) be maintained between a handheld wireless device and a pacemaker to avoid potential interference with the pacemaker. These recommendations are consistent with independent research and recommendations by Wireless Technology Research.

Persons with Pacemakers:

- Should ALWAYS keep the device more than 15cm (6 inches) from their pacemaker when turned ON
- Should not carry the device in a breast pocket
- Should use the ear furthest from the pacemaker to minimise the potential for interference.

If you have any reason to suspect that interference is taking place, turn OFF your device.

Hearing Aids

The wireless device may interfere with some hearing aids. In the event of interference you may want to consult your hearing aid supplier to discuss solutions.

Other Medical Devices

Please consult your physician or the manufacturer of the medical device, to determine if the operation of your wireless product may interfere with the medical device.



FCC / EU RF Exposure Guidelines

Safety Information

The device complies with Internationally recognised standards covering Specific Absorption Rate (SAR) related to human exposure to electromagnetic fields from radio devices.

Reducing RF Exposure - Use Properly

It is advisable to use the device only in the normal operating position.

Handheld Devices

To comply with FCC RF exposure requirements, this device must be operated in the hand with a minimum separation distance of 20 cm or more from a person's body. Other operating configurations should be avoided.



Laser Devices

Complies with 21CFR1040.10 and 1040.11 except for deviations pursuant to Laser Notice No. 50, dated July 26, 2001.

EN60825-1:1994+ A1:2002 +A2:2001

IEC60825-1:1993+A1:1997+A2:2001

The laser classification is marked on one of the labels on the device.

Class 1 Laser devices are not considered to be hazardous when used for their intended purpose.

The following statement is required to comply with US and international regulations:



CAUTION Use of controls, adjustments or performance of procedures other than those specified herein may result in hazardous laser light exposure.

Class 2 laser scanners use a low power, visible light diode. As with any very bright light source, such as the sun, the user should avoid staring directly into the light beam. Momentary exposure to a Class 2 laser is not known to be harmful.

Laser Labeling

In accordance with Clause 5, IEC 825 and EN60825, the following information is provided to the user:



ENGLISH

CLASS 1
CLASS 2

CLASS 1 LASER PRODUCT
LASER LIGHT
DO NOT STARE INTO BEAM
CLASS 2 LASER PRODUCT

מוצר לייזר רמה 1

רמה 1

אור לייזר
אין להביט אל תוך הזרם
מוצר לייזר רמה 2

רמה 2

DANISH / DANSK

KLASSE 1	KLASSE 1 LASERPRODUKT
KLASSE 2	LASERLYF SE IKKE IND I STRÅLEN KLASSE 2 LASERPRODUKT

DUTCH / NEDERLANDS

KLASSE 1	KLASSE 1 LASERPRODUKT
KLASSE 2	LASERLICHT NIET IN STRAAL STAREN KLASSE-2 LASERPRODUKT

FINNISH / SUOMI

LUOKKA 1	LUOKKA 1 LASERTUOTE
LUOKKA 2	LASERVALO ÄLÄ TUJOTA SÄDETTÄ LUOKKA 2 LASERTUOTE

FRENCH / FRANÇAIS

CLASSE 1	PRODUIT LASER DE CLASSE 1
CLASSE 2	LUMIERE LASER NE PAS REGARDER LE RAYON FIXEMENT PRODUIT LASER DE CLASSE 2

GERMAN / DEUTSCH

KLASSE 1	LASERPRODUKT DER KLASSE 1
KLASSE 2	LASERSTRAHLEN NICHT DIREKT IN DEN LASERSTRAHL SCHAUEN LASERPRODUKT DER KLASSE 2

CHINESE / 简体中文

1 类	1 类激光产品
2 类	激光 切勿注视光束 2 类激光产品

JAPANESE / 日本語

クラス1	クラス1 レーザ製品
クラス2	レーザ光線 光線を直視しないでください クラス2 レーザ製品

ITALIAN / ITALIANO

CLASSE 1	PRODOTTO AL LASER DI CLASSE 1
CLASSE 2	LUCE LASER NON FISSARE IL RAGGIOPRODOTTO AL LASER DI CLASSE 2

NORWEGIAN / NORSK

KLASSE 1	LASERPRODUKT, KLASSE 1
KLASSE 2	LASERLYS IKKE STIRR INN I LYSSTRÅLEN LASERPRODUKT, KLASSE 2

PORTUGUESE / PORTUGUÊS

CLASSE 1	PRODUTO LASER DA CLASSE 1
CLASSE 2	LUZ DE LASER NÃO FIXAR O RAIOS LUMINOSOS PRODUTO LASER DA CLASSE 2

SPANISH / ESPAÑOL

CLASE 1	PRODUCTO LASER DE LA CLASE 1
CLASE 2	LUZ LASER NO MIRE FIJAMENTE EL HAZ PRODUCTO LASER DE LA CLASE 2

SWEDISH / SVENSKA

KLASS 1	LASERPRODUKT KLASS 1
KLASS 2	LASERLJUS STIRRA INTE MOT STRÅLEN LASERPRODUKT KLASS 2

KOREAN / 한국어

1등급	1등급 레이저 제품
2등급	레이저 광선 이 광선을 주시하지 마십시오. 2등급 레이저 제품

Power Supply

Use only a Symbol approved power supply 50-14000-101R output rated 9 Vdc and minimum 1 A. The power supply is certified to EN60950-1 with SELV outputs. Use of an alternative power supply invalidates any approval given to this device and may be dangerous.

Batteries

Please follow the local regulations when disposing of re-chargeable batteries.

Taiwan - Recycling

EPA (Environmental Protection Administration) requires dry battery producing or importing firms in accordance with Article 15 of the Waste Disposal Act are required to indicate the recycling marks on the batteries used in sales, giveaway or promotion. Contact a qualified Taiwanese recycler for proper battery disposal.



「廢電池請回收」

Symbol Rechargeable Batteries

Symbol rechargeable battery packs are designed and constructed to the highest standards within the industry. However, there are limitations to how long a battery can operate or be stored before needing replacement. Many factors affect the life of a battery pack such as heat, cold, customer usage profiles, age, and severe drops.

When batteries are stored over a year, battery cell manufacturers advise that some irreversible deterioration in overall battery quality may occur. To minimize this loss, they recommend storing batteries half charged in a dry, cool place between 41° and 77°F (5° and 25°C), the cooler the better) and removed from the equipment to prevent the loss of capacity. Batteries should be charged to half capacity at least once a year. If an electrolyte leakage is observed, avoid any contact with the affected area and properly dispose of the battery.

Replace the battery when a significant loss of run time is detected. Batteries must be charged within the 32° to 104°F (0° to 40°C) temperature range.

The standard warranty period for all Symbol batteries is 30 days, regardless if the battery was purchased separately or included as part of the mobile computer. For more information on Symbol batteries, please visit <http://mysymbolcare.symbol.com/battery/batbasics1.html>.

Radio Frequency Interference Requirements-FCC



Note: This equipment has been tested and found to comply with the limits for a Class B digital device, pursuant to Part 15 of the FCC rules. These limits are designed to provide reasonable protection against harmful interference in a residential installation. This equipment generates, uses and can radiate radio

frequency energy and, if not installed and used in accordance with the instructions, may cause harmful interference to radio communications. However there is no guarantee that interference will not occur in a particular installation. If this equipment does cause harmful interference to radio or television reception, which can be determined by turning the equipment off and on, the user is encouraged to try to correct the interference by one or more of the following measures:

- Reorient or relocate the receiving antenna.
- Increase the separation between the equipment and receiver.
- Connect the equipment into an outlet on a circuit different from that to which the receiver is connected.
- Consult the dealer or an experienced radio/TV technician for help.

Radio Transmitters (Part 15)

This device complies with Part 15 of the FCC Rules. Operation is subject to the following two conditions: (1) this device may not cause harmful interference, and (2) this device must accept any interference received, including interference that may cause undesired operation.

Radio Frequency Interference Requirements - Canada

This Class B digital apparatus complies with Canadian ICES-003.

Cet appareil numérique de la classe B est conforme à la norme NMB-003 du Canada.

Radio Transmitters

This device complies with RSS 210 of Industry & Science Canada. Operation is subject to the following two conditions: (1) this device may not cause harmful interference and (2) this device must accept any interference received, including interference that may cause undesired operation.

Label Marking: The Term "IC:" before the radio certification only signifies that Industry Canada technical specifications were met.

Marking and European Economic Area (EEA)

2.4GHz devices for use through the EEA have the following restrictions:

- Maximum radiated transmit power of 10 mW EIRP in the frequency range 2.400 -2.4835 GHz
- France, equipment is restricted to 2.446 -2.454 GHz frequency range
- Italy requires a user license for outside usage.

Statement of Compliance

Symbol Technologies, Inc., hereby, declares that this device is in compliance with the essential requirements and other relevant provisions of Directive 1999/5/EC. A Declaration of Conformity may be obtained from <http://www2.symbol.com/doc/>.

Brazil

Declarações Regulamentares para P370, P470 PL370 y PL470 BRAZIL

NOTA: A marca de certificação se aplica ao Equip. de Radiação Restrita, model P470 y PL470. Este equipamento opera em caráter secundário, isto é, não tem direito a proteção contra interferência prejudicial, mesmo de estações do mesmo tipo, e não pode causar interferência a sistemas operando em caráter primário."

Para maiores consultas sobre ANATEL consulte o site: www.anatel.gov.br

The following signifies approval in Brazil.



Waste Electrical and Electronic Equipment (WEEE)

English: For EU Customers: All products at the end of their life must be returned to Symbol for recycling. For information on how to return product, please go to: http://www.symbol.com/environmental_compliance.

Čeština: Pro zákazníky z EU: Všechny produkty je nutné po skončení jejich životnosti vrátit společnosti Symbol k recyklaci. Informace o způsobu vrácení produktu najdete na webových stránkách: http://www.symbol.com/environmental_compliance.

Dansk: Til kunder i EU: Alle produkter skal returneres til Symbol til recirkulering, når de er udtjent. Læs oplysningerne om returnering af produkter på: http://www.symbol.com/environmental_compliance.

Deutsch: Für Kunden innerhalb der EU: Alle Produkte müssen am Ende ihrer Lebensdauer zum Recycling an Symbol zurückgesandt werden. Informationen zur Rücksendung von Produkten finden Sie unter http://www.symbol.com/environmental_compliance.

Eesti: EL klientidele: kõik tooted tuleb nende eluea lõppedes tagastada taaskasutamise eesmärgil Symbol'ile. Lisainformatsiooni saamiseks toote tagastamise kohta külastage palun aadressi: http://www.symbol.com/environmental_compliance.

Español: Para clientes en la Unión Europea: todos los productos deberán entregarse a Symbol al final de su ciclo de vida para que sean reciclados. Si desea más información sobre cómo devolver un producto, visite: http://www.symbol.com/environmental_compliance.

Ελληνικά: Για πελάτες στην Ε.Ε.: Όλα τα προϊόντα, στο τέλος της διάρκειας ζωής τους, πρέπει να επιστρέφονται στην Symbol για ανακύκλωση. Για περισσότερες πληροφορίες σχετικά με την επιστροφή ενός προϊόντος, επισκεφθείτε τη διεύθυνση http://www.symbol.com/environmental_compliance στο Διαδίκτυο.

Français : Clients de l'Union Européenne : Tous les produits en fin de cycle de vie doivent être retournés à Symbol pour recyclage. Pour de plus amples informations sur le retour de produits, consultez : http://www.symbol.com/environmental_compliance.

Italiano: per i clienti dell'UE: tutti i prodotti che sono giunti al termine del rispettivo ciclo di vita devono essere restituiti a Symbol al fine di consentire il riciclaggio. Per informazioni sulle modalità di restituzione, visitare il seguente sito Web: http://www.symbol.com/environmental_compliance.

Latviešu: ES klientiem: visi produkti pēc to kalpošanas mūža beigām ir jānogādā atpakaļ Symbol otrreizējai pārstrādei. Lai iegūtu informāciju par produktu nogādāšanu Symbol, lūdzu, skatiet: http://www.symbol.com/environmental_compliance.

Lietuvių: ES vartotojams: visi gaminiai, pasibaigus jų eksploatacijos laikui, turi būti grąžinti utilizuoti į kompaniją „Symbol“. Daugiau informacijos, kaip grąžinti gaminius, rasite: http://www.symbol.com/environmental_compliance.

Magyar: Az EU-ban vásárlóknak: Minden tönkrement termékét a Symbol vállalatához kell eljuttatni újrahasznosítás céljából. A termék visszajuttatásának módjával kapcsolatos tudnivalókért látogasson el a http://www.symbol.com/environmental_compliance weboldalra.

Malti: Għal klijenti fl-UE: il-prodotti kollha li jkunu waslu fl-aħħar tal-hajja ta' l-użu tagħhom, iridu jiġu rritornati għand Symbol għar-riċiklaġġ. Għal aktar tagħrif dwar kif għandek tirritorna l-prodotti, jekk jogħġbok żur: http://www.symbol.com/environmental_compliance.

Nederlands: Voor klanten in de EU: alle producten dienen aan het einde van hun levensduur naar Symbol te worden teruggezonden voor recycling. Raadpleeg http://www.symbol.com/environmental_compliance voor meer informatie over het terugzenden van producten.

Polski: Klienci z obszaru Unii Europejskiej: Produkty wycofane z eksploatacji należy zwrócić do firmy Symbol w celu ich utylizacji. Informacje na temat zwrotu produktów znajdują się na stronie internetowej http://www.symbol.com/environmental_compliance.

Português: Para clientes da UE: todos os produtos no fim de vida devem ser devolvidos à Symbol para reciclagem. Para obter informações sobre como devolver o produto, visite: http://www.symbol.com/environmental_compliance.

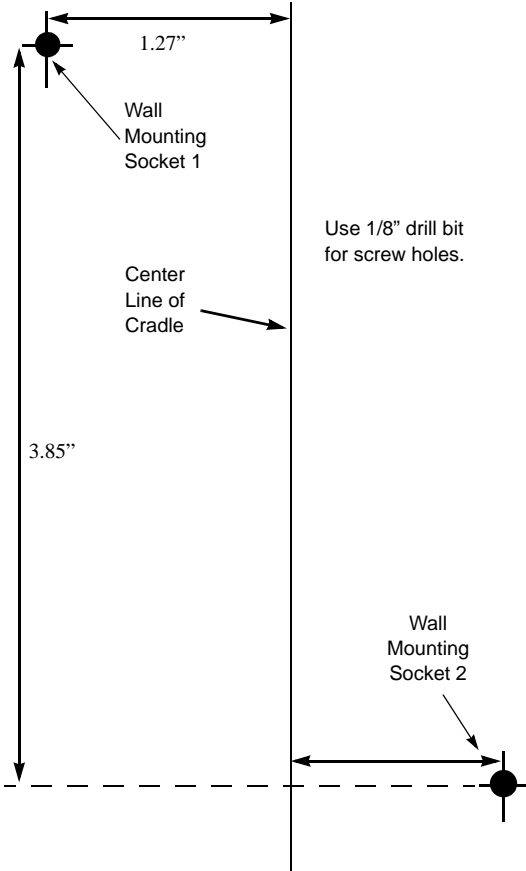
Slovenski: Za kupce v EU: vsi izdelki se morajo po poteku življenjske dobe vrniti podjetju Symbol za reciklažo. Za informacije o vračilu izdelka obiščite: http://www.symbol.com/environmental_compliance.

Slovenščina: Pre zákazníkov z krajín EU: Všetky výrobky musia byť po uplynutí doby ich životnosti vrátené spoločnosti Symbol na recykláciu. Bližšie informácie o vrátení výrobkov nájdete na: http://www.symbol.com/environmental_compliance.

Suomi: Asiakkaat Euroopan unionin alueella: Kaikki tuotteet on palautettava kierrätettäväksi Symbol-yhtiöön, kun tuotetta ei enää käytetä. Lisätietoja tuotteen palauttamisesta on osoitteessa http://www.symbol.com/environmental_compliance.

Svenska: För kunder inom EU: Alla produkter som uppnått sin livslängd måste returneras till Symbol för återvinning. Information om hur du returnerar produkten finns på http://www.symbol.com/environmental_compliance.

Wall Mounting Template



This page is intentionally blank.

Service Information

Before you use the unit, it must be configured to operate in your facility's network and run your applications.

If you have a problem running your unit or using your equipment, contact your facility's Technical or Systems Support. If there is a problem with the equipment, they will contact the Symbol Support Center:

United States	1-800-653-5350	Canada	905-629-7226
United Kingdom	0800 328 2424	Asia/Pacific	337-6588
Australia	1-800-672-906	Austria/Österreich	01-5055794-0
Denmark/Danmark	7020-1718	Finland/Suomi	9 5407 580
France	01-40-96-52-21	Germany/ Deutschland	6074-49020
Italy/Italia	2-484441	Mexico/México	5-520-1835
Netherlands/Nederland	315-271700	Norway/Norge	+47 2232 4375
South Africa	11-809 5311	Spain/España	+913244000
Sweden/Sverige	08 445 29 00	Europe/Mid-East Distributor Operations	Contact local distributor or call +44 118 945 7360
Latin America Sales Support	Inside USA: 1-800-347-0178; Outside USA: +1.954.255.2610		

For the latest version of this guide go to: <http://www.symbol.com/manuals>.



72-38494-01

Revision C - May 2006

Symbol Technologies, Inc.

One Symbol Plaza Holtsville, N.Y. 11742-1300

<http://www.symbol.com>