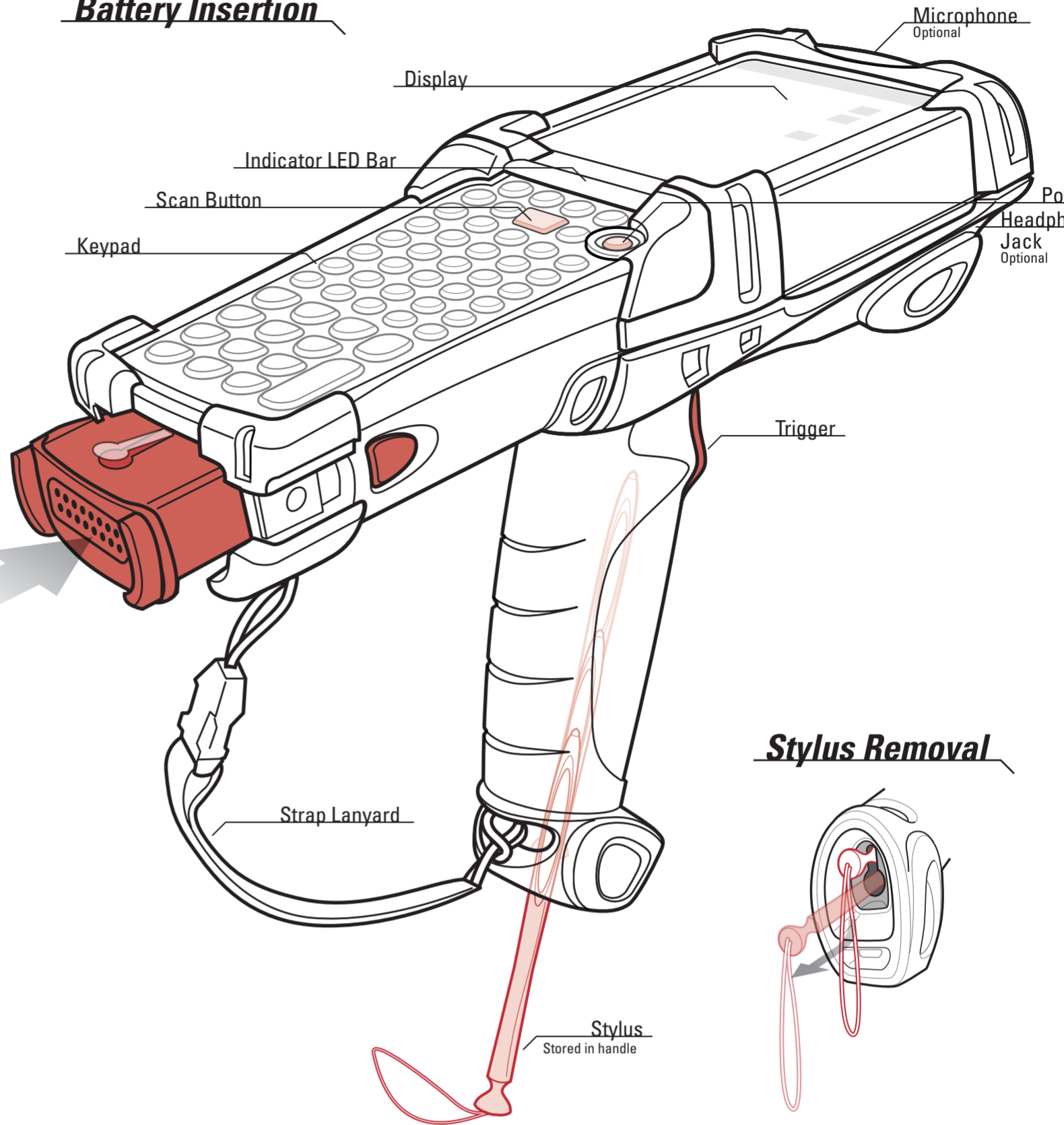
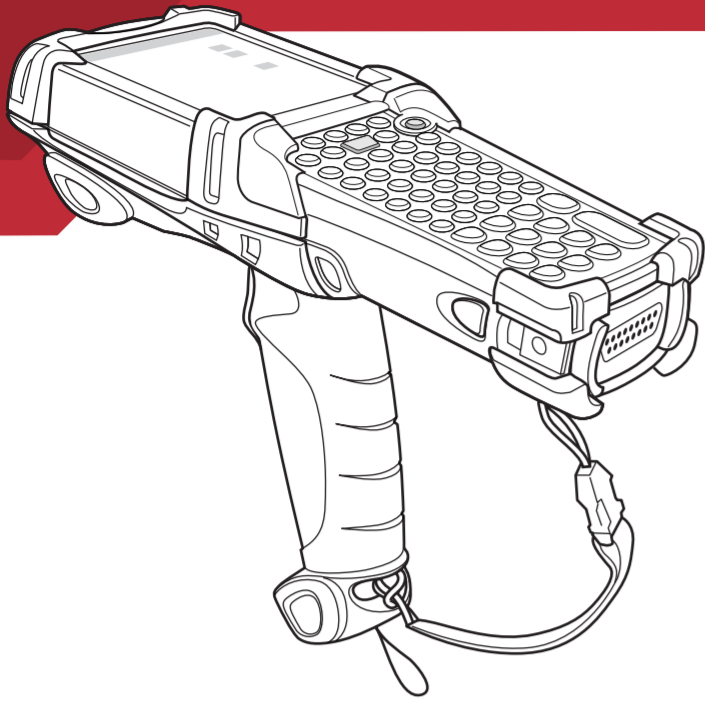


MC9000-G Quick Start Guide

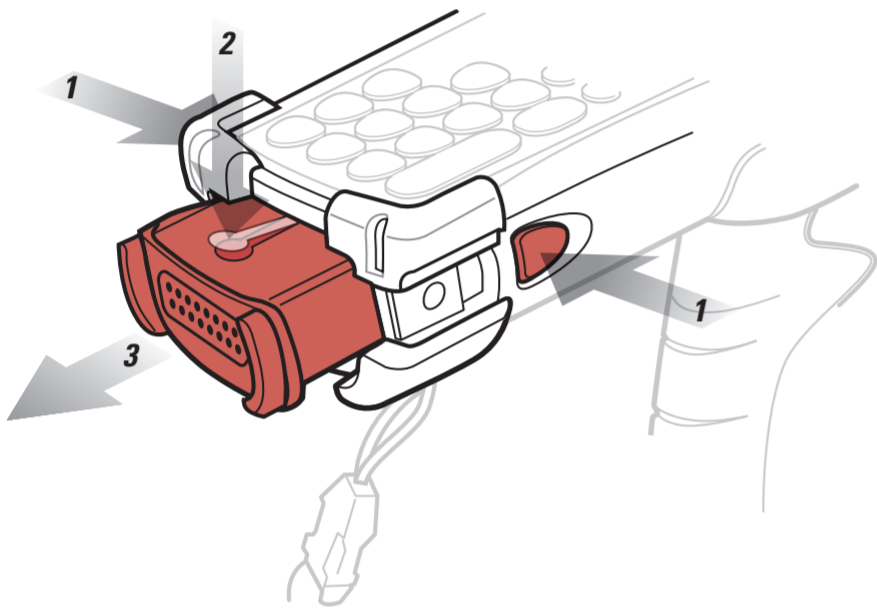
<http://www.symbol.com/mc9000g>

See Product Reference Guide for more information

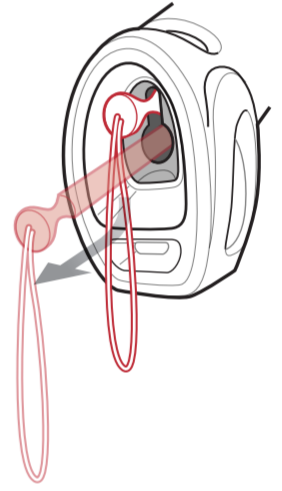
Battery Insertion



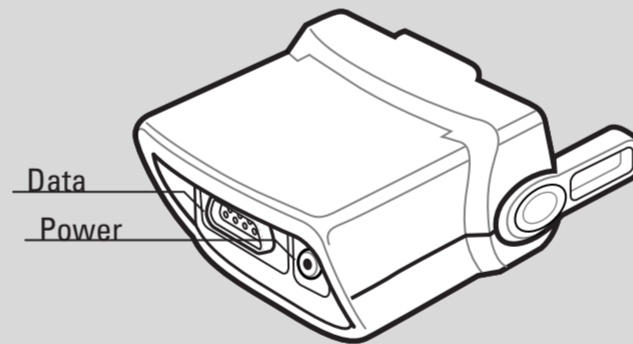
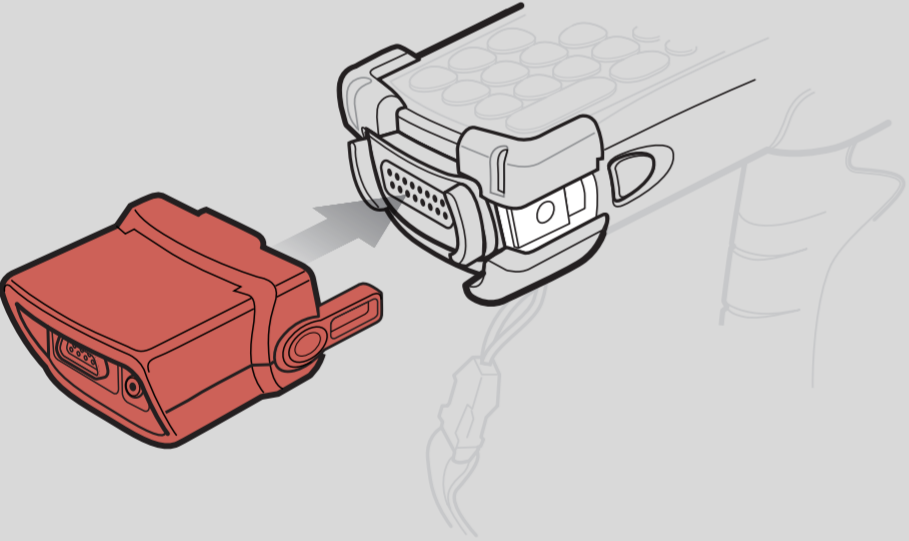
Battery Removal



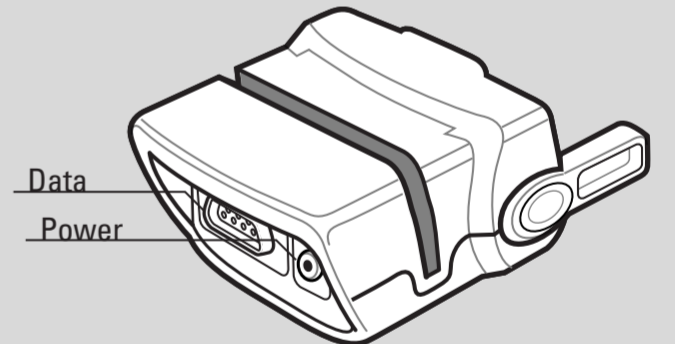
Stylus Removal



Snap-on Accessory Installation



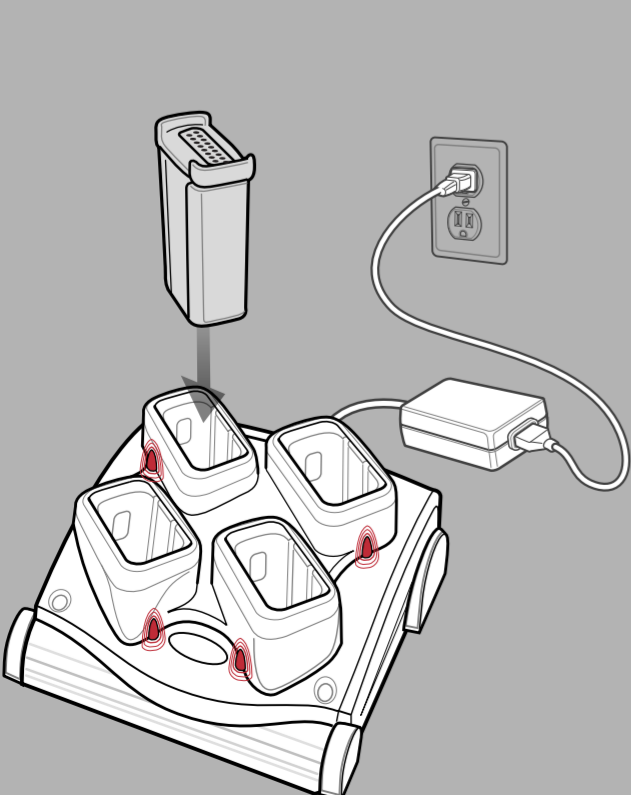
Cable Adapter Module



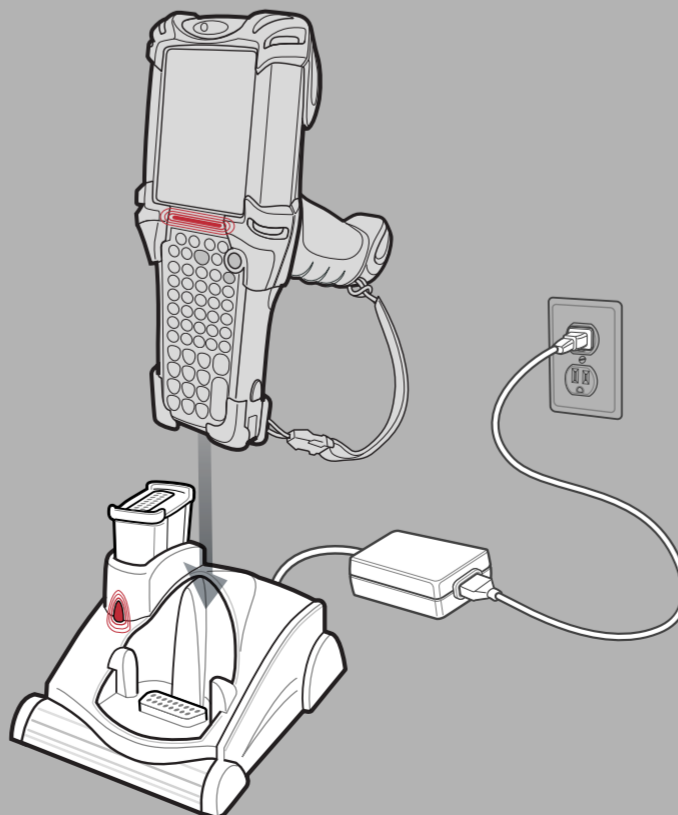
Magnetic Stripe Reader

Charging Instructions

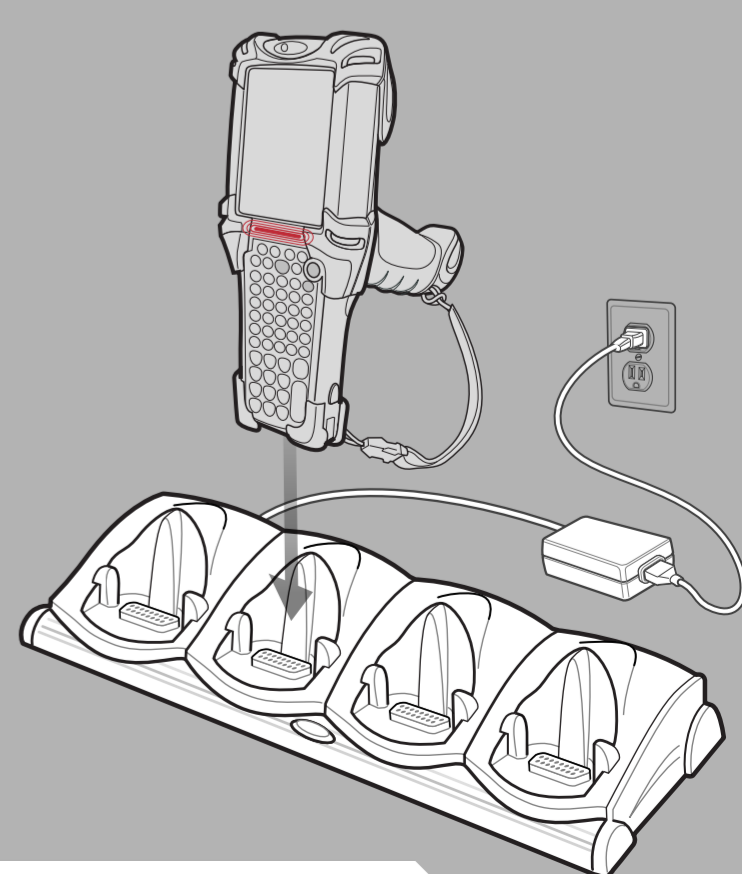
● = LED Indicator Location
 Slow Flash = Normal Charge | Solid Amber = Full Charge | Fast Flash = Charging Error



Four Slot Spare Battery Charger



Single Slot Serial Cradle

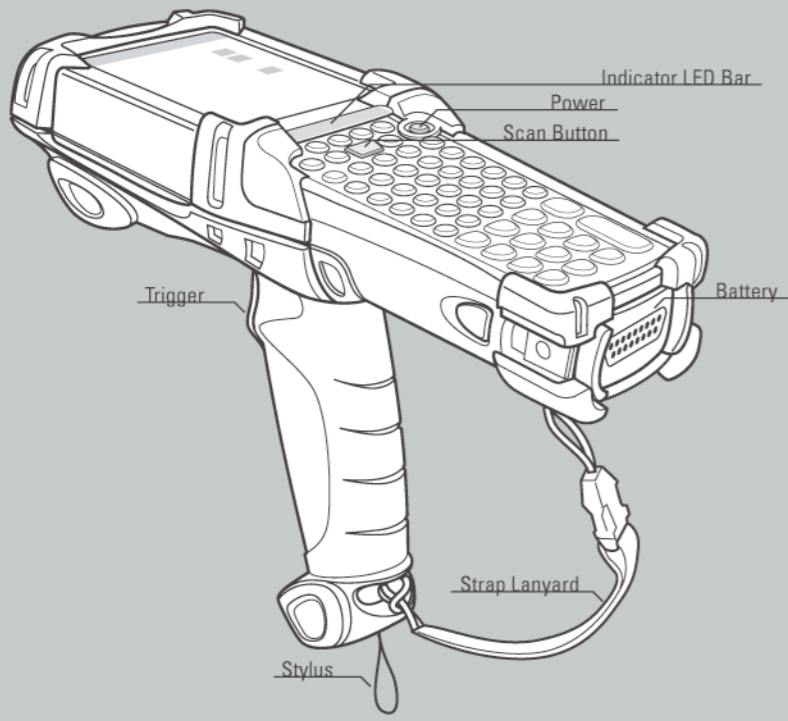


Four Slot Cradles

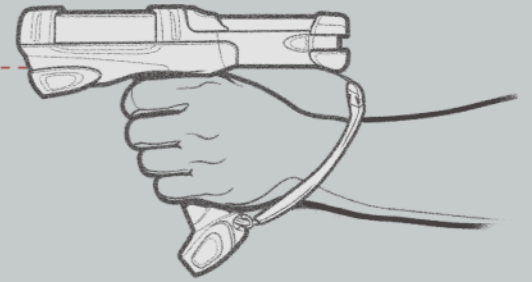
Charge-Only Cradle and Ethernet Cradle

POST IN WORK AREA

Optimum Scanning Positions



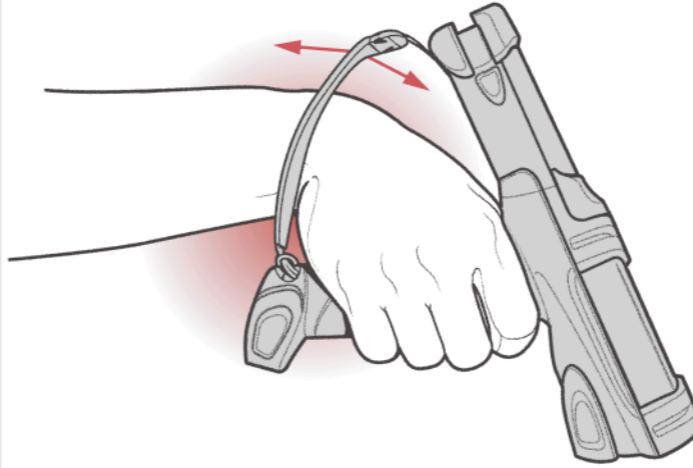
ALTERNATE LEFT AND RIGHT HANDS
TAKING BREAKS AND TASK ROTATION RECOMMENDED



Optimum Upright Body Posture



Avoid Extreme Wrist Angles



Optimum Body Posture for Low Scanning

ALTERNATE LEFT AND RIGHT KNEES



AVOID BENDING



AVOID REACHING



Optimum Body Posture for High Scanning

USE A LADDER

