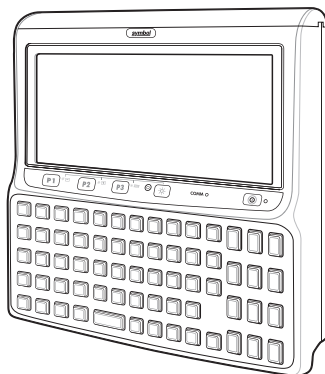
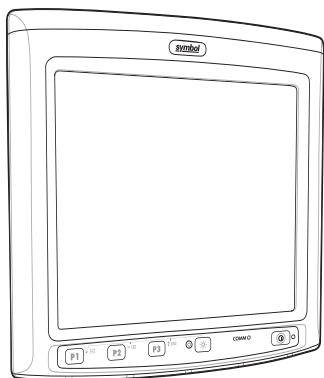


# VC5090 Vehicle Computer

## Quick Reference Guide

# PRELIMINARY



***symbol***<sup>®</sup>  
The Enterprise Mobility Company™

© 2006 SYMBOL TECHNOLOGIES, INC. All rights reserved.

Symbol reserves the right to make changes to any product to improve reliability, function, or design.

Symbol does not assume any product liability arising out of, or in connection with, the application or use of any product, circuit, or application described herein.

No license is granted, either expressly or by implication, estoppel, or otherwise under any patent right or patent, covering or relating to any combination, system, apparatus, machine, material, method, or process in which Symbol products might be used. An implied license exists only for equipment, circuits, and subsystems contained in Symbol products.

Symbol and the Symbol logo are registered trademarks of Symbol Technologies, Inc. Other product names mentioned in this manual may be trademarks or registered trademarks of their respective companies and are hereby acknowledged.

Symbol Technologies, Inc.  
One Symbol Plaza  
Holtsville, N.Y. 11742-1300

<http://www.symbol.com>

## Warranty

Subject to the terms of Symbol's hardware warranty statement, the VC5090 Vehicle Computer products are warranted against defects in workmanship and materials for a period of one year from the date of shipment. For the complete Symbol hardware product warranty statement, go to: <http://www.symbol.com/warranty>.

## Patents

This product is covered by one or more patents. For patent information go to: <http://www.symbol.com/patents>.

## Introduction

The VC5090 Vehicle Computer is a vehicle or fixed-mount computer. The VC5090 has two configurations: a full-screen computer with optional keyboard and a half screen configuration with a built in keyboard. You can enter data using the touch screen, the keyboard, an optional bar code scanner, or a combination of the three. The data is transmitted wireless to a host computer. The vehicle computer features:

- Ergonomic design with color LCD touch screen
- Internal wide-range power supply (9 - 72 VDC) to accommodate propane, gasoline, and electric-powered forklifts
- Internal antennas with external antenna port
- Interfaces with scanners, printers, audio devices and other peripherals
- Continuous operation at -30°C (-22°F) (cold storage terminals)
- Pre-loaded with terminal emulation software.

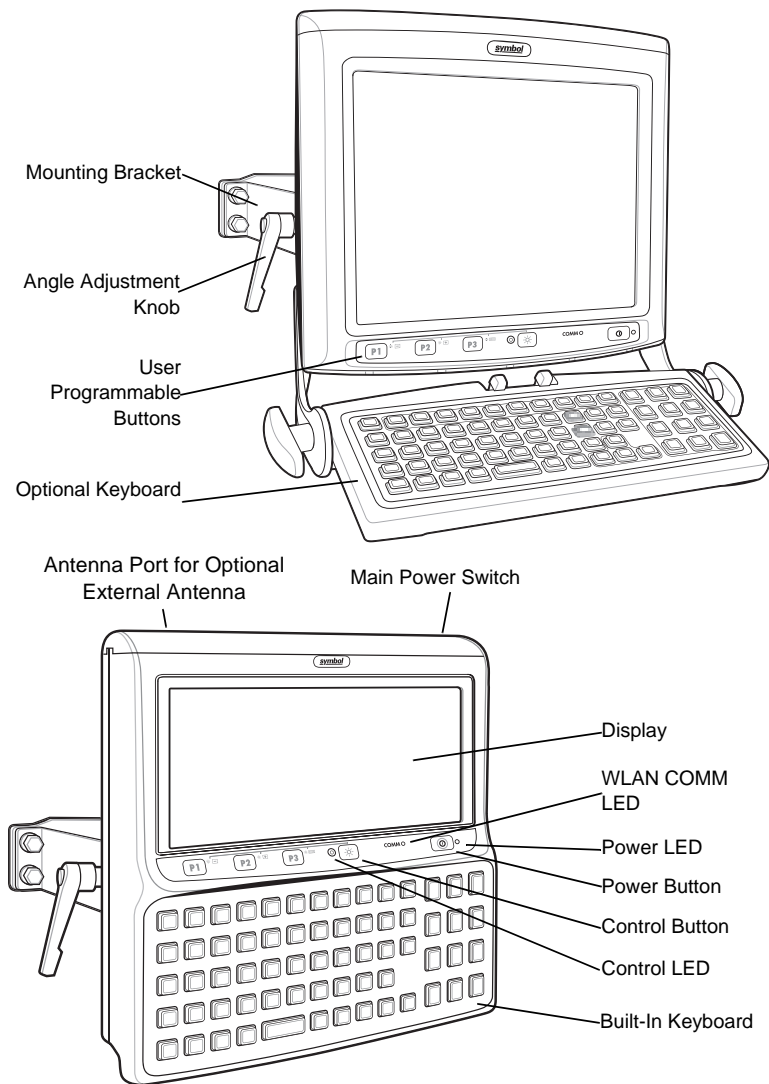
## About This Guide

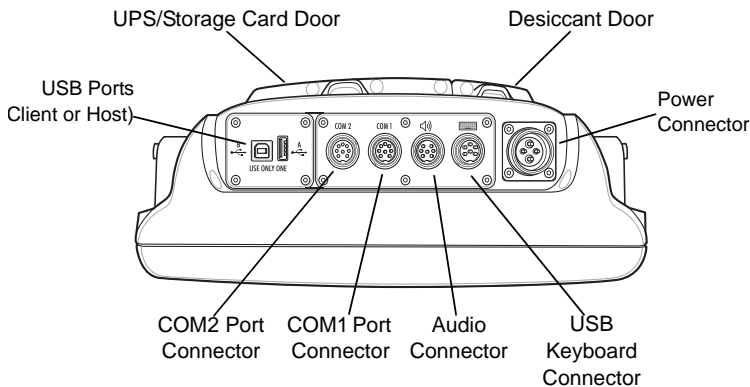
This guide contains the following:

- *Features* on page 4
- *Unpacking* on page 5
- *Optional Accessories* on page 6
- *Charging the Internal Backup Battery* on page 20
- *Calibrating the Touch Screen* on page 21
- *Resetting the Vehicle Computer* on page 21
- *Programmable Keys* on page 22
- *Connecting Accessories* on page 22
- *Maintenance* on page 23
- *Troubleshooting* on page 24.

For more information including installation instructions, refer to the *VC5090 Product Reference Guide*, p/n 72E-76347-xx available at <http://www.symbol.com/manuals>.

## Features





## Unpacking

You should find the following items in the box:

- VC5090 vehicle computer
- mounting bracket
- hardware bag
- desiccant kit
- three fuses and three fuse holders
- power cable
- non-abrasive screen protector
- four 3/8 x 6 x 2" cap screws, eight flat washers, eight lock washers and four hex nuts
- this guide.

## Optional Accessories

- Heated keyboard with bracket assembly
- Scanners and cables
- Headsets
- Vehicle Motion Detector Kit

- Printer cables
- RS-232 and USB ActiveSync cables
- AC power supply
- Uninterruptable power supply (UPS)
- Replacement desiccant bag kit.

Refer to the *VC5090 Product Reference Guide* for information on installation the vehicle computer in a vehicle or mounted on a wall.

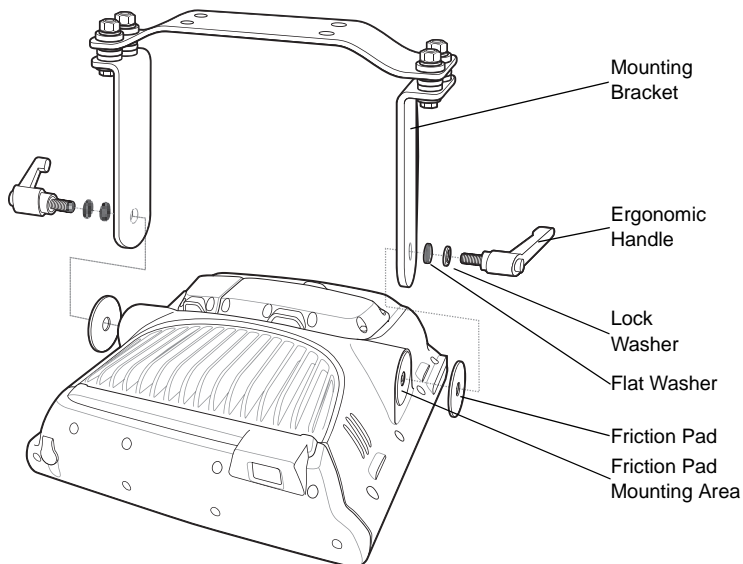
## Mounting Bracket Installation



**NOTE** The vehicle computer and bracket must be firmly secured to a surface that can support the vehicle computer's weight.



**CAUTION** Symbol requires that the Symbol Mounting Bracket be used when mounting the vehicle computer.



## **Installing the Desiccant Bags**

1. Remove the tape securing the desiccant door to the back housing.
2. Open the desiccant package and remove the six desiccant bags.
3. Place three desiccant bags in the desiccant well.
4. Place the other three desiccant bags in the back of the desiccant door.
5. Carefully place the desiccant door onto the back housing. Ensure that the desiccant packets do not interfere with placement of the door.
6. Secure the door to the back housing using the four screws. Torque to  $8 \pm 0.5$  kgf.cm.

## **Installing the VC5090 in a Forklift**

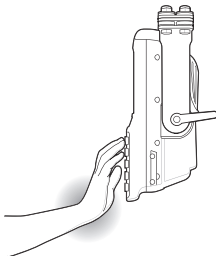
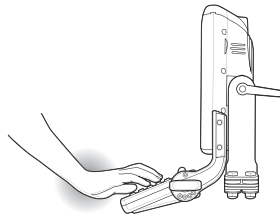
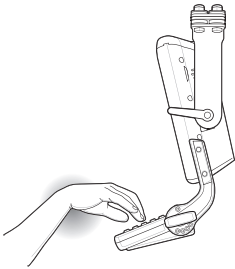
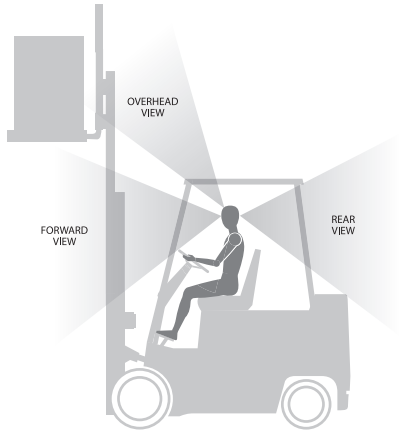
Follow the instructions below to properly install the VC5090 in a forklift.

- Determine the best location for mounting the vehicle computer taking into consideration the driver's field of view and ease of accessing the vehicle computer.
- Install the appropriate mounting hardware.
- Connect the vehicle computer to the vehicle's wiring system.

## **Positioning the Vehicle Computer**

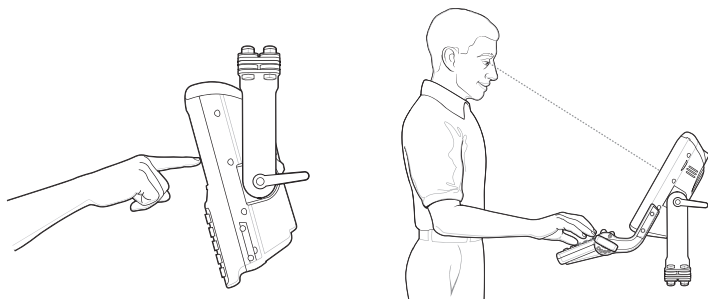
- Determine the best position for the vehicle computer and all the associated components. If a similar vehicle computer was previously installed, check to see if the position it used is suitable for the VC5090.
- Test the installation for at least 30 minutes before installing on another vehicle. Record all details:

- Check that the positions of the vehicle computer does not obstruct vehicle controls.
- Check that the vehicle computer does not obstruct the driver's view.
- Check the position of the vehicle computer for user comfort over long periods.
- Check positioning to avoid extreme wrist angles that may cause injury.



Avoid Extreme Wrist Angles





Optimum Wrist Position

## ***Mounting the Vehicle Computer***

### ***Important Fixing Information***

Any modification to supplied mounting bracket could cause early failure of the unit/mountings.

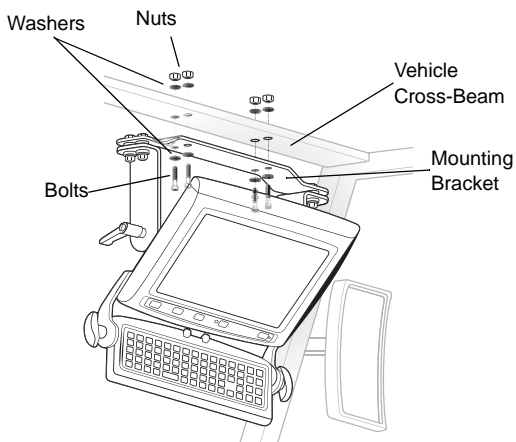
- A minimum of four fixing positions must be used.
- All nuts and bolts must be checked periodically and tightened if required.
- When installing the vehicle computer, care must be taken to ensure that the mounting bracket footprint is fully supported. Additional plates may be required to achieve this.

### ***Mounting Bracket Template***

Refer to the VC5090 Product Reference Guide for mounting template.

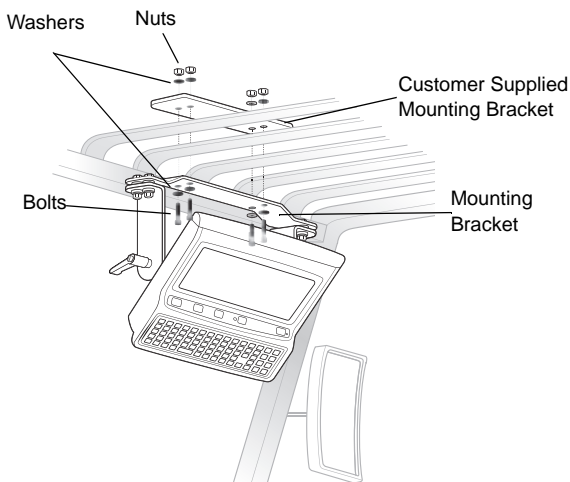
### ***Mounting onto an Over-Head Cross-Beam Example***

The diagram below illustrates a typical installation where the vehicle computer is mounted onto a cross-beam.



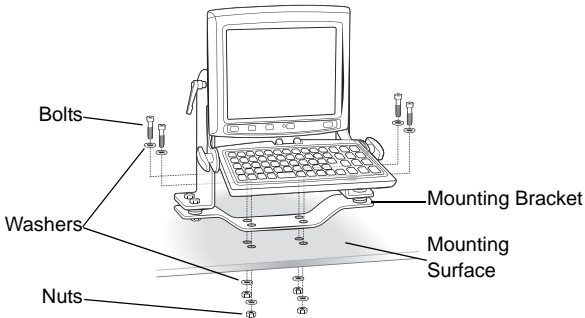
### ***Mounting onto an Over-Head Cage***

The diagram below illustrates a typical installation where the vehicle computer is mounted on a cage.



## Mounting on a Dashboard or Horizontal Surface

The diagram below illustrates a typical installation where the vehicle computer is mounted on a dashboard or horizontal flat surface.



## Routing Electrical Cables

- Establish a neat route for the cable, staying clear of moving parts or hot surfaces wherever possible.
- Fix the cable to existing cable runs inside the vehicle using cable ties, but make sure they are away from any moving or hot surfaces.
- When the cabling must go through a panel, use a suitable gland.
- When fixing the conduit or cable on the outside of a vehicle, use P-Clips. Either drill and tap the hole or use a nut and bolt to secure the clip.
- Make sure the cable does not have tight bends. The minimum recommended radius is 2.5".
- Solder all fuse holders. DO NOT crimp.
- After soldering the fuse holder, file the solder flat where it comes in contact with the fuse.
- On electric vehicles, take the power from as close to the battery as possible, but not directly from the battery terminals, and not before any main fuse.

- On gasoline, diesel or propane vehicles, take the power from as close to the battery terminals as possible, and avoid using existing wiring.
- All fuses must be as close as possible to the power source.
- If you are unsure of the correct power source, contact the vehicle manufacturer for more information.

### **12-24V Gasoline, Diesel, or Propane Forklifts**

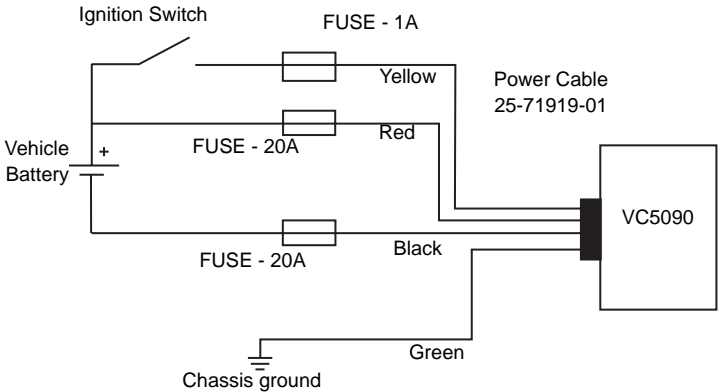


**WARNING!** A lead acid battery can leak hydrogen gas. A spark anywhere near the battery can cause it to explode. Always make your final connection to power as far away from the battery as possible, i.e., connect the power cable to the battery first, then the vehicle computer.

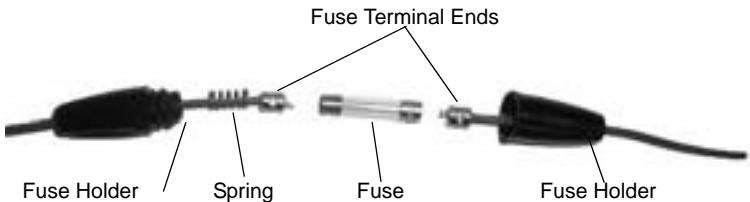


**CAUTION** Use extreme care when routing and securing this cable from the vehicle computer to the vehicle power source. Hazards associated with improper wiring can be severe. To avoid unintentional contact between the wire and any sharp edges, use proper bushings and clamping where the cable passes through openings. If the wire is subjected to sharp surfaces and excess engine vibration, the wiring harness insulation can wear away, causing a short between the bare wire and chassis. This can start a fire.

- All power wiring must use the supplied power cable.
- Fuse in positive rail = 20A
- Fuse in negative rail = 20A
- Fuse in switched positive = 1A
- Keep the path between the battery and the vehicle computer as short as possible, and away from any part of the ignition high tension system.



1. Connect the green wire to the vehicle's chassis. If you cannot find a close connection point, solder an extra length of cable to the green wire to extend the connection to the chassis. Use a heat shrink to cover the solder joint.
2. Crimp a ring terminal onto the green wire and screw the ring terminal into the vehicle metal work. Or, if a bolt connection exists, attach the ring terminal to this connection (check the connection with a multi-meter to the vehicle chassis if you're not sure).
3. Place a fuse holder in-line of the red, black and yellow wires approximately four inches from the cable end, as shown below.



4. Solder the fuse terminal ends to the wire to ensure a proper electrical connection. Use a heat shrink to cover the solder joint.

5. Connect the red wire to the vehicle's positive power source. Connect the black wire to the vehicle's negative power source. To terminate the cable:
  - If the vehicle has a power output connector, use a mating connector. You may be able to connect to a fuse panel with a commercially available connector.
  - If the vehicle has no power output connector, use a ring terminal (for a battery post) or blade terminal (for a fuse panel).
6. Connect the yellow wire to the vehicle's ignition switch. If you do not plan on using the ignition switch connection, connect the yellow wire to the vehicle's positive power source.

See your vehicle Owner's Manual for more information.

7. Ensure the wiring connections created are sufficiently insulated from each other.
8. Re-connect the vehicle battery.
9. Insert the power cable connector into the vehicle computer's Power port. Align the keyway on the power connector with the notch on the vehicle computer's power port.

## Electric Forklifts Up to 60V

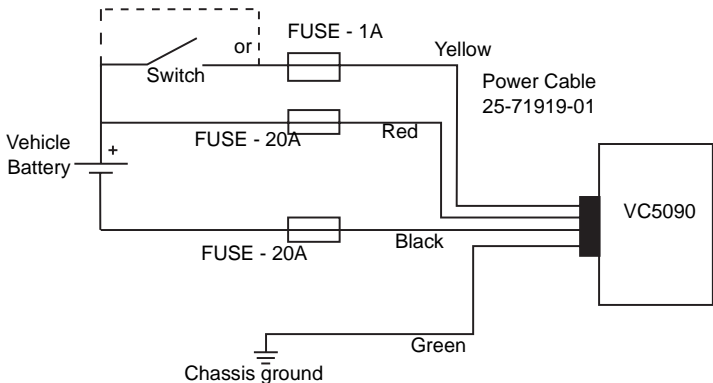


**WARNING!** A lead acid battery can leak hydrogen gas. A spark anywhere near the battery can cause it to explode. Always make your final connection to power as far away from the battery as possible, i.e., connect the power cable to the battery first, then the vehicle computer.

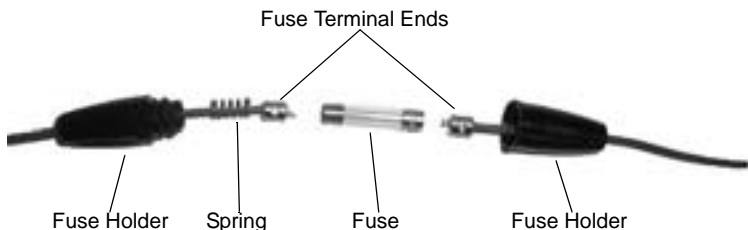


**CAUTION** Use extreme care when routing and securing this cable from the vehicle computer to the vehicle power source. Hazards associated with improper wiring can be severe. To avoid unintentional contact between the wire and any sharp edges, use proper bushings and clamping where the cable passes through openings. If the wire is subjected to sharp surfaces and excess engine vibration, the wiring harness insulation can wear away, causing a short between the bare wire and chassis. This can start a fire.

- All power wiring must use the supplied power cable.
- Fuse in positive rail = 20A
- Fuse in negative rail = 20A
- Fuse in switched positive = 1A
- Use a filtered supply if available on the forklift. Consult the forklift manufacturer for details.



1. Connect the green wire to the vehicle's chassis. If you cannot find a close connection point, solder an extra length of cable to the green wire to extend the connection to the chassis. Use a heat shrink to cover the solder joint.
2. Crimp a ring terminal onto the green wire and screw the ring terminal into the vehicle metal work. Or, if a bolt connection exists, attach the ring terminal to this connection (check the connection with a multi-meter to the vehicle chassis if you're not sure).
3. Place a fuse holder in-line of the red, black and yellow wires approximately four inches from the cable end, as shown below.



1. Solder the fuse terminal ends to the wire to ensure a proper electrical connection. Use a heat shrink to cover the solder joint.
2. Connect the red wire to the vehicle's positive power source. Connect the black wire to the vehicle's negative power source. To terminate the cable:
  - If the vehicle has a power output connector, use a mating connector. You may be able to connect to a fuse panel with a commercially available connector.
  - If the vehicle has no power output connector, use a ring terminal (for a battery post) or blade terminal (for a fuse panel).
3. Connect the yellow wire to the vehicle's ignition switch. If you do not plan on using the ignition switch connection, connect the yellow wire to the vehicle's positive power source.

See your vehicle Owner's Manual for more information.

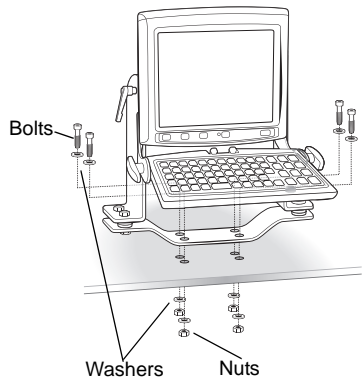
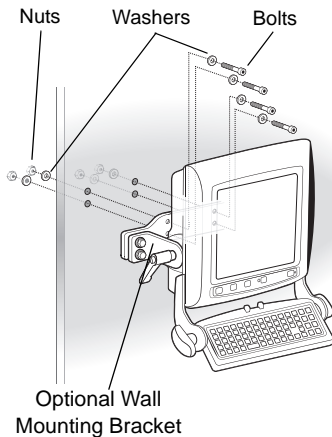


4. Ensure the wiring connections created are sufficiently insulated from each other.
5. Re-connect the vehicle battery.
6. Insert the power cable connector into the vehicle computer's Power port. Align the keyway on the power connector with the notch on the vehicle computer's power port.

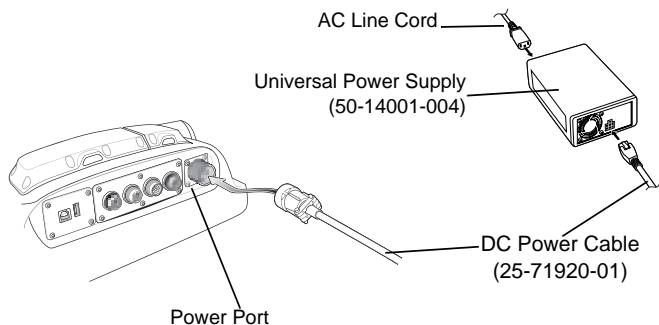
## Installing the VC5090 on a Wall or Desktop

To use the vehicle computer in a wall or desktop mounted application:

1. If mounting the vehicle computer on a wall, use the optional wall mounting bracket.
2. Install the mounting bracket to the wall or desktop using four bolts, eight washers and four nuts.



1. Insert the DC power cable into the DC connector on the universal power supply.
2. Plug the other end of the cable into the vehicle computer's power port.
3. Insert the AC line cord into the AC connector on the universal power supply.



1. Plug the other end of the AC power cable into a wall outlet.

## Installing the Optional Keyboard

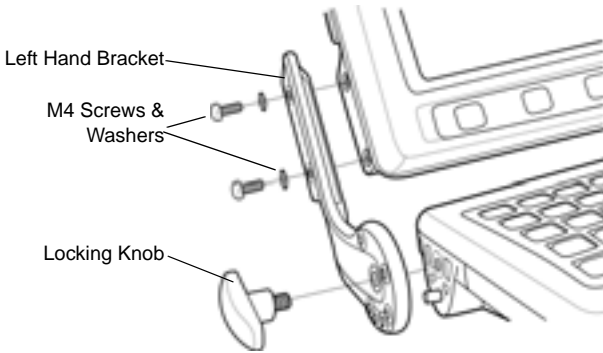


**NOTE** The optional keyboard is only available for the full-screen configuration.

The keyboard kit contains the following items:

- keyboard
- keyboard brackets (2)
- four M4 screws and washers
- two locking knobs.

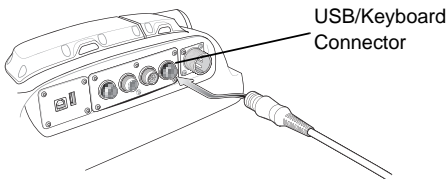
1. Attach the keyboard brackets to both sides of the VC5090, using the M4 screws and washers, as shown below:



- Torque the screws to 230 kgf/cm.
1. Squeeze the levers on the keyboard and align the keyboard with the brackets.
  2. Release the levers to insert the mechanism bars through an adjustment hole on each of the brackets.



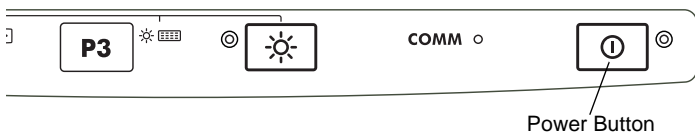
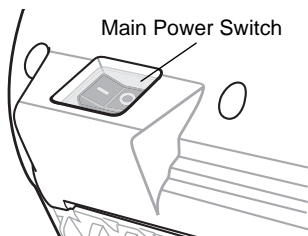
3. Insert the keyboard locking knobs through the brackets and screw into the keyboard.
4. Plug the keyboard cable into the USB/Keyboard connector.



## Powering the VC5090 On/Off

The Main Power switch provides power to the VC5090. You should only use this switch when removing power completely from the device.

Use the Power button on the front panel to place the VC5090 into Suspend mode or wake the VC5090 from Suspend mode.



## Charging the Internal Backup Battery

When you receive your VC5090, leave the VC5090 powered on for 24 hours to fully charge the internal backup battery. Note that the VC5090 can charge the backup battery while in Suspend mode, but not if power is removed.

The internal battery maintains the RAM memory for 72 hours when fully charged. The data in the Flash memory or Flash file system is not affected by the state of charge.

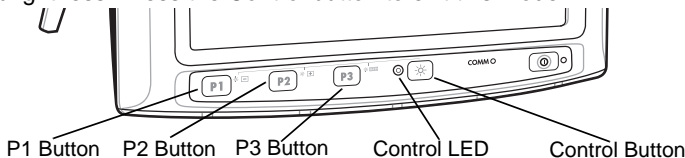
## Calibrating the Touch Screen

The VC5090 prompts you to calibrate the touch screen when you first power on the VC5090.

1. Carefully press and hold the stylus on the center of each target. Repeat as the target moves around the screen.
2. Tap the screen to accept the settings when the calibration is complete.

## Controlling Screen Brightness

There are four levels of screen brightness. To adjust the brightness of the screen, press the Control button on the front panel. The amber Control LED lights indicating that the VC5090 is in the control mode. Press the P1 button to decrease the brightness or the P2 button to increase the brightness. Press the Control button to exit this mode.



## Controlling Keyboard Backlight

To toggle the keyboard backlight on and off, press the Control button on the front panel. The amber Control LED lights indicating that the VC5090 is in the control mode. Press the P3 button to toggle the keyboard backlight. Press the Control button to exit this mode.

## Resetting the Vehicle Computer

If your vehicle computer stops responding to inputs, perform a warm boot or cold boot.

### Performing a Warm Boot

A warm boot restarts the vehicle computer and saves all stored records and entries. In the Windows CE environment, the working registry is replaced by the latest saved copy of the registry.



**NOTE** Files that remain open during a warm boot may not be retained.

To perform a warm boot, press the Power button and the P2 button simultaneously and release.

## Performing a Cold Boot

A cold boot restarts the vehicle computer, but erases all stored records and entries in RAM. Data saved in flash memory or a memory card is not lost. In addition it returns formats, preferences and other settings to the factory default settings. There are two ways to perform a cold boot:

- Simultaneously press and hold the Power, P1 and P3 buttons.
- Turn off the Main Power switch on the top of the vehicle computer, then turn it on again, and then press the Power button.

## Programmable Keys

The programmable keys on the front panel (P1, P2, P3) can be set to perform certain functions, such as switching between applications or emulator sessions.

To set a programmable key:

1. From the Start menu, select **Settings > Control Panel**.
2. Select the **Programmable Keys** icon.
3. In the **Key:** drop-down list, select the key you would like to program.
4. In the **Action** drop-down list, select the function to assign to the key to perform.
5. Tap **OK**.

## Connecting Accessories

Connect an optional scanner, ActiveSync serial or USB cable, audio or USB device using the appropriate connector on the bottom of the VC5090. Cables are available from Symbol.

You may also use the USB port for ActiveSync connection, if the serial ports are used for another purpose. This cable is also available from Symbol. Refer to the *VC5090 Product Reference Guide* for information of additional accessories.

## Maintenance

The vehicle computer is factory-sealed (except for the desiccant door and UPS/SD Card door) and contains no user-serviceable parts. Only qualified Symbol Service Centers should service the vehicle computer.

Use the protective caps that came with the vehicle computer to protect unused connectors.

- Clean the casing, keyboard, and display window by wiping with a soft cloth. Use a damp cloth if necessary.
- Never use solvents or abrasive cleaners. You may damage the display or keyboard.

## Desiccant Bag Replacement

Optional desiccant bags can be used in environments where condensation is a concern. Six desiccant bags are placed in the smaller well on the back housing. Remove the four securing the door. See [Installing the Desiccant Bags on page 7](#) for installing the desiccant bags. Discard the original screws and replace the door using the screws that come with the new desiccant kit.

## Troubleshooting

Problem	Cause	Solution
VC5090 does not power on or shuts off suddenly.	Power switch on top of vehicle computer is in the Off position.	Turn the power switch to the On position.
	Power cable not connected or unplugged.	Connect power cable to power cable port on underside of vehicle computer. Press the Power button to boot up the VC5090.
	If VC5090 is powered by a vehicle battery, the vehicle battery is depleted.	Replace or charge the vehicle battery.
Cannot see characters on display.	VC5090 not powered on.	Check that the main power switch on the top of the VC5090 is in the On position. Press the Power button.
	Screen is too bright/dark.	Adjust the brightness; see <a href="#">Controlling Screen Brightness</a> on page 21.
	VC5090 is in Suspend mode (green Power LED is off)	Press the Power button to turn on the VC5090.
Application does not respond.	VC5090 is not communicating with the AP (Communication LED is off).	Bring the VC5090 closer to the AP. If problem continues, contact your System Administrator.
Optional scanner does not operate.	Scanner is not properly connected to the VC5090.	Connect the scanner to the COM1 port and power up the vehicle computer. If the problem continues, refer to the scanner Quick Reference Guide or see your System Administrator.
	ScanWedge application is not enabled or set to the correct COM Port.	Ensure that the Scan Wedge application is enabled and set to the correct port. See VC5090 Product Reference Guide for more information.



## Regulatory Information

All Symbol devices are designed to be compliant with rules and regulations in locations they are sold and will be labeled as required.

Regulatory Information is available in French, Italian, German, Spanish (Spain), Portuguese, Japanese, Korean, Russian, Simplified Chinese and Traditional Chinese. Please see following website:

<http://www.symbol.com/services/manuals/> and look for your specific product.

Any changes or modifications to Symbol Technologies equipment, not expressly approved by Symbol Technologies, could void the user's authority to operate the equipment.

Antennas: Use only the supplied or an approved replacement antenna. Unauthorized antennas, modifications, or attachments could cause damage and may violate regulations.



**CAUTION** Only use Symbol approved and UL Listed accessories, battery packs and battery chargers.

Do NOT attempt to charge damp/wet mobile computers or batteries. All components must be dry before connecting to an external power source.

## Products Equipped with Bluetooth® Wireless Technology

This product contains Bluetooth Complimentary Subsystems:

- BT ID:B01825
- BT ID:B02413

## Country Approvals

Regulatory markings are applied to the device signifying the radio(s) are approved for use in the following countries: United States, Canada, Australia, Japan and Europe <sup>1, 2</sup>.

Please refer to the Symbol Declaration of Conformity (DoC) for details of other country markings. This is available at <http://www2.symbol.com/doc/>.

Note 1: For 2.4GHz Products: Europe includes, Austria, Belgium, Czech Republic, Cyprus, Denmark, Estonia, Finland, France, Germany, Greece, Hungary, Iceland, Ireland, Italy, Latvia, Liechtenstein, Lithuania, Luxembourg, Malta, Netherlands, Norway, Poland, Portugal, Slovak Republic, Slovenia, Spain, Sweden, Switzerland and the United Kingdom.

Note 2: The use of 5GHz RLAN's has varying restrictions of use; please refer to the Symbol Declaration of Conformity (DoC) for details.



Operation of the device without regulatory approval is illegal.

## Health and Safety Recommendations

### *Ergonomic Recommendations*



**CAUTION** In order to avoid or minimize the potential risk of ergonomic injury follow the recommendations below. Consult with your local Health & Safety Manager to ensure that you are adhering to your company's safety programs to prevent employee injury.

- Reduce or eliminate repetitive motion
- Maintain a natural position
- Reduce or eliminate excessive force
- Keep objects that are used frequently within easy reach
- Perform tasks at correct heights
- Reduce or eliminate vibration
- Reduce or eliminate direct pressure
- Provide adjustable workstations
- Provide adequate clearance
- Provide a suitable working environment
- Improve work procedures.

## ***Vehicle Installation***

RF signals may affect improperly installed or inadequately shielded electronic systems in motor vehicles (including safety systems). Check with the manufacturer or its representative regarding your vehicle. You should also consult the manufacturer of any equipment that has been added to your vehicle.

An air bag inflates with great force. **DO NOT** place objects, including either installed or portable wireless equipment, in the area over the air bag or in the air bag deployment area. If in-vehicle wireless equipment is improperly installed and the air bag inflates, serious injury could result.

Position your device within easy reach. Be able to access your device without removing your eyes from the road.



**NOTE** Connection to an alert device that will cause a vehicle horn to sound or lights to flash, on receipt of a call on public roads, is not permitted.

## ***Warnings for Use of Wireless Devices***

Please observe all warning notices with regard to the usage of wireless devices.

## ***Potentially Hazardous Atmospheres***

You are reminded of the need to observe restrictions on the use of radio devices in fuel depots, chemical plants etc. and areas where the air contains chemicals or particles (such as grain, dust, or metal powders) and any other area where you would normally be advised to turn off your vehicle engine.

## ***Hearing Aids***

The wireless device may interfere with some hearing aids. In the event of interference you may want to consult your hearing aid supplier to discuss solutions.

### ***Other Medical Devices***

Please consult your physician or the manufacturer of the medical device, to determine if the operation of your wireless product may interfere with the medical device.



### **FCC / EU RF Exposure Guidelines**

#### ***Safety Information***

The device complies with Internationally recognized standards covering Specific Absorption Rate (SAR) related to human exposure to electromagnetic fields from radio devices.

#### ***Reducing RF Exposure - Use Properly***

It is advisable to use the device only in the normal operating position.

#### ***Remote and Standalone Antenna Configurations.***

To comply with FCC RF exposure requirements, antennas that are mounted externally at remote locations or operating near users at stand-alone desktop or similar configurations must operate with a minimum separation distance of 20 cm from all persons.

To satisfy FCC RF exposure requirements, a mobile transmitting device must operate with a minimum separation distance of 20 cm or more from a person's body.

### **Power Supply**

Use only a Symbol approved power supply 50-14001-004 output rated 12 Vdc and minimum 9 A. The power supply is certified to EN60950-1 with SELV outputs. Use of alternative power supply will invalidate any approval given to this device and may be dangerous.

### **Batteries**

Please follow the local regulations when disposing of re-chargeable batteries.

## Taiwan - Recycling



「廢電池請回收」

EPA (Environmental Protection Administration) requires dry battery producing or importing firms in accordance with Article 15 of the Waste Disposal Act are required to indicate the recycling marks on the

batteries used in sales, giveaway or promotion. Contact a qualified Taiwanese recycler for proper battery disposal.

## Wireless Devices - Countries

### *Country Roaming*

This device incorporates the International Roaming feature (IEEE802.11d) which will ensure the product operates on the correct channels for the particular country of use.

### *Ad-Hoc Operation*

Ad-Hoc operation is limited to Channels 36-48 (5150-5250 MHz). Use of this band is restricted to Indoor Use Only, any other use will make the operation of this device illegal.

## Radio Frequency Interference Requirements



Note: This equipment has been tested and found to comply with the limits for a Class B digital device, pursuant to Part 15 of the FCC rules. These limits are

designed to provide reasonable protection against harmful interference in a residential installation. This equipment generates, uses, and can radiate radio frequency energy and, if not installed and used in accordance with the instructions, may cause harmful interference to radio communications. However there is no guarantee that interference will not occur in a particular installation. If this equipment does cause harmful interference to radio or television reception, which can be determined by turning the equipment off and on, the user is encouraged to try to correct the interference by one or more of the following measures:

- Reorient or relocate the receiving antenna

- Increase the separation between the equipment and receiver
- Connect the equipment into an outlet on a circuit different from that to which the receiver is connected
- Consult the dealer or an experienced radio/TV technician for help.

### ***Radio Transmitters (Part 15)***

This device complies with Part 15 of the FCC Rules. Operation is subject to the following two conditions: (1) this device may not cause harmful interference, and (2) this device must accept any interference received, including interference that may cause undesired operation.

### **Radio Frequency Interference Requirements - Canada**


This Class B digital apparatus complies with Canadian ICES-003. Cet appareil numérique de la classe B est conforme à la norme NMB-003 du Canada.

### ***Radio Transmitters***

This device complies with RSS 210 of Industry & Science Canada. Operation is subject to the following two conditions: (1) this device may not cause harmful interference and (2) this device must accept any interference received, including interference that may cause undesired operation.

Label Marking: The Term "IC:" before the radio certification only signifies that Industry Canada technical specifications were met.

### **Marking and European Economic Area (EEA)**

 The use of 2.4 GHz RLAN's, have the following restrictions:

- Maximum radiated transmit power of 100 mW EIRP in the frequency range 2.400 -2.4835 GHz
- France, equipment is restricted to 2.4 - 2.454 GHz
- Italy requires a user license for outside usage.

The use of 5GHz RLAN's has varying restrictions for use within the EEA; please refer to the Symbol Declaration of Conformity (DoC) for details at <http://www2.symbol.com/doc/>

Bluetooth® Wireless Technology for use through the EEA has the following restrictions:

- Maximum radiated transmit power of 100mW EIRP in the frequency range 2.400 -2.4835 GHz
- France, outside usage is restricted to 10mW EIRP
- Italy requires a user license for outside usage.

### ***Statement of Compliance***

Symbol Technologies, Inc., hereby, declares that this device is in compliance with the essential requirements and other relevant provisions of Directives 1999/5/EC. Declaration of Conformities may be obtained from <http://www2.symbol.com/doc/>

### ***Other Countries***

2.4GHz Radio Devices:

Mexico - Restrict Frequency Range to: 2.450 - 2.4835 GHz.

Sri Lanka - Restrict Frequency Range to: 2.400 - 2.430 GHz.



## Waste Electrical and Electronic Equipment

(WEEE)

**English:** For EU Customers: All products at the end of their life must be returned to Symbol for recycling. For information on how to return product, please go to: [http://www.symbol.com/environmental\\_compliance](http://www.symbol.com/environmental_compliance).

**Čeština:** Pro zákazníky z EU: Všechny produkty je nutné po skončení jejich životnosti vrátit společnosti Symbol k recyklaci. Informace o způsobu vrácení produktu najdete na webové stránce: [http://www.symbol.com/environmental\\_compliance](http://www.symbol.com/environmental_compliance).

**Dansk:** Til kunder i EU: Alle produkter skal returneres til Symbol til recirkulering, når de er udtjent. Læs oplysningerne om returnering af produkter på: [http://www.symbol.com/environmental\\_compliance](http://www.symbol.com/environmental_compliance).

**Deutsch:** Für Kunden innerhalb der EU: Alle Produkte müssen am Ende ihrer Lebensdauer zum Recycling an Symbol zurückgesandt werden. Informationen zur Rücksendung von Produkten finden Sie unter [http://www.symbol.com/environmental\\_compliance](http://www.symbol.com/environmental_compliance).

**Eesti:** EL klientidele: kõik tooted tuleb nende eluea lõppedes tagastada taaskasutamise eesmärgil Symbol'ile. Lisainformatsiooni saamiseks toote tagastamise kohta külastage palun aadressi: [http://www.symbol.com/environmental\\_compliance](http://www.symbol.com/environmental_compliance).

**Español:** Para clientes en la Unión Europea: todos los productos deberán entregarse a Symbol al final de su ciclo de vida para que sean reciclados. Si desea más información sobre cómo devolver un producto, visite: [http://www.symbol.com/environmental\\_compliance](http://www.symbol.com/environmental_compliance).

**Ελληνικά:** Για πελάτες στην Ε.Ε.: Όλα τα προϊόντα, στο τέλος της διάρκειας ζωής τους, πρέπει να επιστρέφονται στην Symbol για ανακύκλωση. Για περισσότερες πληροφορίες σχετικά με την επιστροφή ενός προϊόντος, επισκεφθείτε τη διεύθυνση [http://www.symbol.com/environmental\\_compliance](http://www.symbol.com/environmental_compliance) στο Διαδίκτυο.

**Français:** Clients de l'Union Européenne : Tous les produits en fin de cycle de vie doivent être retournés à Symbol pour recyclage. Pour de plus amples informations sur le retour de produits, consultez : [http://www.symbol.com/environmental\\_compliance](http://www.symbol.com/environmental_compliance).

**Italiano:** per i clienti dell'UE: tutti i prodotti che sono giunti al termine del rispettivo ciclo di vita devono essere restituiti a Symbol al fine di consentirne il riciclaggio. Per informazioni sulle modalità di restituzione, visitare il seguente sito Web: [http://www.symbol.com/environmental\\_compliance](http://www.symbol.com/environmental_compliance).

**Latviešu:** ES klientiem: visi produkti pēc to kalpošanas mūža beigām ir jānogādā atpakaļ Symbol otrreizējai pārstrādei. Lai iegūtu informāciju par produktu nogādāšanu Symbol, lūdzu, skatiet: [http://www.symbol.com/environmental\\_compliance](http://www.symbol.com/environmental_compliance).



**Lietuvių:** ES vartotojams: visi gaminiai, pasibaigus jų eksploatacijos laikui, turi būti gražinti utilizuoti į kompaniją „Symbol“. Daugiau informacijos, kaip gražinti gaminį, rasite: [http://www.symbol.com/environmental\\_compliance](http://www.symbol.com/environmental_compliance).

**Magyar:** Az EU-ban vásárlóknak: Minden tönkrement termékét a Symbol vállalathoz kell eljuttatni újrahasznosítás céljából. A termék visszajuttatásának módjával kapcsolatos tudnivalóért látogasson el a [http://www.symbol.com/environmental\\_compliance](http://www.symbol.com/environmental_compliance) weboldalra.

**Malti:** Għal klijenti fl-UE: il-prodotti kollha li jkunu waslu fl-aħħar tal-hajja ta' l-użu tagħhom, iridu jiġu rritornati għand Symbol għar-riċiklaġġ. Għal aktar taġrif dwar kif għandek tirritorna l-prodott, jekk jogħġbok żur: [http://www.symbol.com/environmental\\_compliance](http://www.symbol.com/environmental_compliance).

**Nederlands:** Voor klanten in de EU: alle producten dienen aan het einde van hun levensduur naar Symbol te worden teruggezonden voor recycling. Raadpleeg [http://www.symbol.com/environmental\\_compliance](http://www.symbol.com/environmental_compliance) voor meer informatie over het terugzenden van producten.

**Polski:** Klienci z obszaru Unii Europejskiej: Produkty wycofane z eksploatacji należy zwrócić do firmy Symbol w celu ich utylizacji. Informacje na temat zwrotu produktów znajdują się na stronie internetowej [http://www.symbol.com/environmental\\_compliance](http://www.symbol.com/environmental_compliance).

**Português:** Para clientes da UE: todos os produtos no fim de vida devem ser devolvidos à Symbol para reciclagem. Para obter informações sobre como devolver o produto, visite: [http://www.symbol.com/environmental\\_compliance](http://www.symbol.com/environmental_compliance).

**Slovenski:** Za kupce v EU: vsi izdelki se morajo po poteku življenjske dobe vrniti podjetju Symbol za reciklažo. Za informacije o vračilu izdelka obišeite: [http://www.symbol.com/environmental\\_compliance](http://www.symbol.com/environmental_compliance).

**Slovenščina:** Pre zákazníkov z krajín EU: Všetky výrobky musia byť po uplynutí doby ich životnosti vrátené spoločnosti Symbol na recykláciu. Bližšie informácie o vrátení výrobkov nájdete na: [http://www.symbol.com/environmental\\_compliance](http://www.symbol.com/environmental_compliance).

**Suomi:** Asiakkaat Euroopan unionin alueella: Kaikki tuotteet on palautettava kierrätettäväksi Symbol-yhtiöön, kun tuotetta ei enää käytetä. Lisätietoja tuotteiden palauttamisesta on osoitteessa [http://www.symbol.com/environmental\\_compliance](http://www.symbol.com/environmental_compliance).

**Svenska:** För kunder inom EU: Alla produkter som uppnått sin livslängd måste returneras till Symbol för återvinning. Information om hur du returnerar produkten finns på [http://www.symbol.com/environmental\\_compliance](http://www.symbol.com/environmental_compliance).





## Service Information

Before you use the unit, it must be configured to operate in your facility's network and run your applications.

If you have a problem running your unit or using your equipment, contact your facility's Technical or Systems Support. If there is a problem with the equipment, they will contact the Symbol Support Center:

United States	1-800-653-5350	Canada	905-629-7226
United Kingdom	0800 328 2424	Asia/Pacific	337-6588
Australia	1-800-672-906	Austria/Österreich	01-5055794-0
Denmark/Danmark	7020-1718	Finland/Suomi	9 5407 580
France	01-40-96-52-21	Germany/Deutschland	6074-49020
Italy/Italia	2-484441	Mexico/México	5-520-1835
Netherlands/Nederland	315-271700	Norway/Norge	+47 2232 4375
South Africa	11-809 5311	Spain/España	+913244000
Sweden/Sverige	08 445 29 00	Europe/Mid-East Distributor Operations	Contact local distributor or call +44 118 945 7360
Latin America Sales Support	Inside USA: 1-800-347-0178; Outside USA: +1.954.255.2610		

For the latest version of this guide go to: <http://www.symbol.com/manuals>.



72-76346-01

Revision 020306 - February 2006

Symbol Technologies, Inc.

One Symbol Plaza Holtville, N.Y. 11742-1300

<http://www.symbol.com>