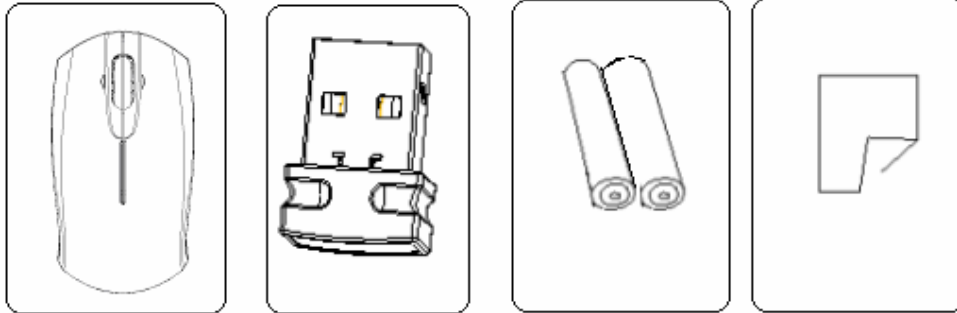


Introduction

Congratulations on your purchase of the VM5 Mouse. The wireless feature of the mouse is great for users on the go. This mouse supports Windows platforms.

Package Content

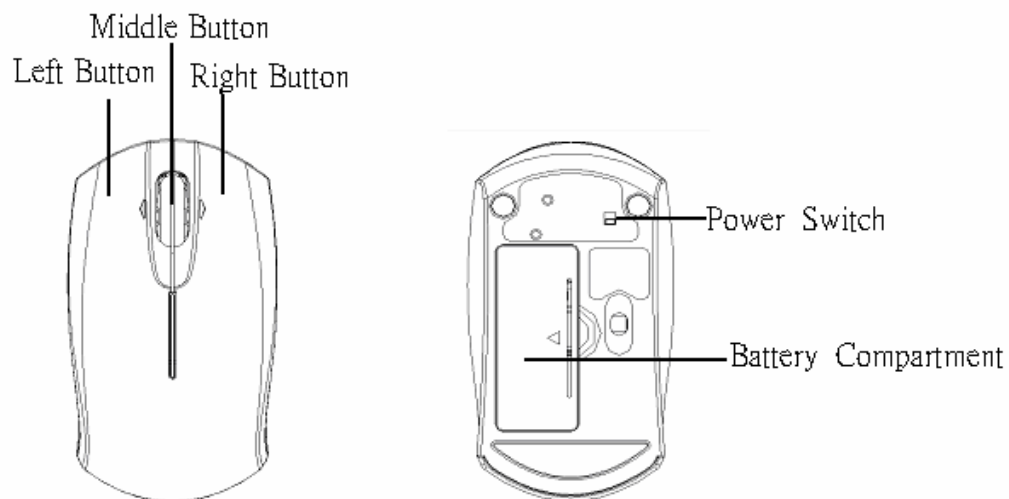
1 x Mouse 1 x Receiver 2 x AAA Batteries 1 x Multi-language User's Guide



System Requirements

- Operating System - Windows® 2000 / XP and Windows Vista™
- Pentium 300MHz or above
- USB 1.1 or 2.0 port

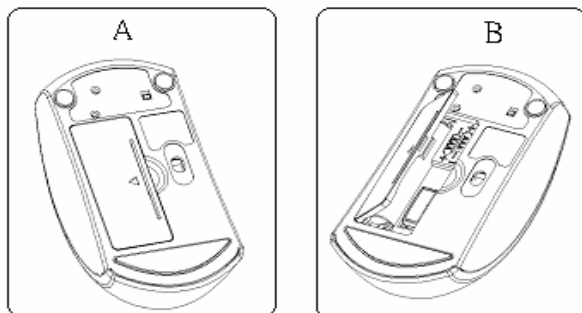
Mouse Overview



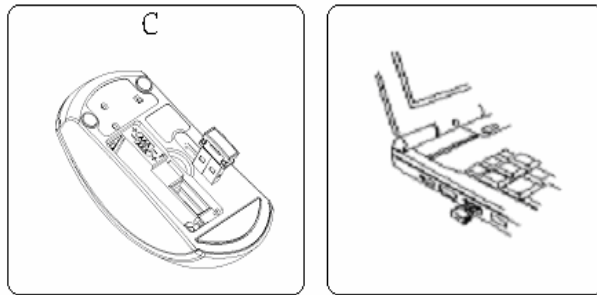
Insert the batteries.

A. Find a button at the rear bottom of the mouse and slightly press down the Battery Cover Button.

B. The battery cover will spring open.

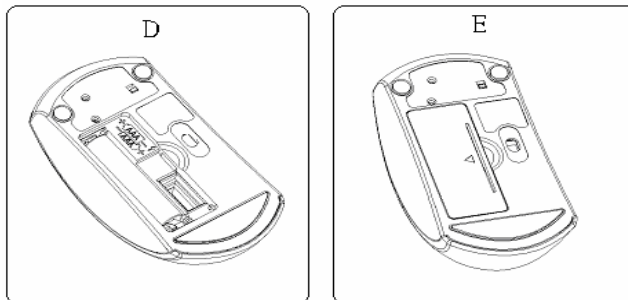


C. Take the receiver out of the battery compartment and connect it to the available USB port of your PC..



D. Insert two AAA batteries into the battery compartment and observe the correct polarities.

E. Slide back and close the battery cover with a click.



F. Set the Power Switch to ON position (with Green dot), and the mouse is ready for use.

Note :

- This is a plug and play device so no additional software is required.
- If the mouse will not be used for a long period of time, please remove the batteries to prevent battery leakage. At the same time, please place back the receiver into the battery compartment.

Safety Measures

This is Class 1 Laser product. Prolonged exposure of naked eyes to laser beam is harmful.

Never point the laser beam toward the face, particularly the eyes, to avoid possible injury.
LASER BEAM IS INVISIBLE. BE CAREFUL NOT TO LOOK DIRECTLY INTO THE EMITTER HOLE WHILE THE MOUSE IS ACTIVE.

Operating Hints

For optimal performance:

- Never use the mouse on a glass or mirrored surface as these surfaces will cause the mouse to fail temporarily.
- Avoid using the mouse on surfaces with repetitive patterns, such as printed magazine photographs, as this type of surface may cause the mouse to respond slowly or fail temporarily.

Troubleshooting

The mouse is not working.

- Make sure that the polarity of the batteries is correct. The positive (+) and negative (-) ends of each battery must match the positive (+) and negative (-) connections in the battery housing.
- Make sure the batteries are charged.
- Please press reset button if you have changed the batteries, but the mouse is still not working.
- Verify that batteries are properly installed. Recharge / Replace if necessary.



This symbol on the product or in the instructions means that your electrical and electronic equipment should be disposed at the end of its life separately from your household waste. There are separate collection systems for recycling in the EU.

For more information, please contact the local authority or your retailer where you purchased the product.

Notes for battery disposal

Your product contains batteries covered by the European Directive 2006/66/EC, which cannot be disposed of with normal household waste. Please inform yourself about the local rules on separate collection of batteries. The correct disposal of batteries helps prevent potentially negative consequences on the environment and human health.

FCC Statement

This equipment has been tested and found to comply with the limits for a Class B digital device, pursuant to part 15 of the FCC rules. These limits are designed to provide reasonable protection against harmful interference in a residential installation. This equipment generates, uses and can radiate radio frequency energy and, if not installed and used in accordance with the instructions, may cause harmful interference to radio communications. However, there is no guarantee that interference will not occur in a particular installation. If this equipment does cause harmful interference to radio or television reception, which can be determined by turning the equipment off and on, the user is encouraged to try to correct the interference by one or more of the following measures:

- Reorient or relocate the receiving antenna.
- Increase the separation between the equipment and receiver.
- Connect the equipment into an outlet on a circuit different from that to which the receiver is connected.
- Consult the dealer or an experienced radio/TV technician for help.

To assure continued compliance, any changes or modifications not expressly approved by the party responsible for compliance could void the user's authority to operate this equipment. (Example- use only shielded interface cables when connecting to computer or peripheral devices).

This equipment complies with Part 15 of FCC RF Rules. Operation is subject to the following two conditions:

- 1) This device may not cause interference and
- 2) This device must accept any interference, including interference that may cause undesired operation of the device.

Caution!

The manufacturer is not responsible for any radio or TV interference caused by unauthorized modifications to this equipment. Such modifications could void the user authority to operate the equipment.

Canada Statement

This Device complies with RSS-210 of the IC Rules; Operation is subject to the following two conditions:

- (1). This device may not cause interference and
- (2). This device must accept any interference received,, including interference that may cause undesired operation.

Declaration of Conformity

Hereby, Sysgration Ltd., declares that this device is in compliance with the essential requirements and other relevant provisions of Directive 1999/5/EC.