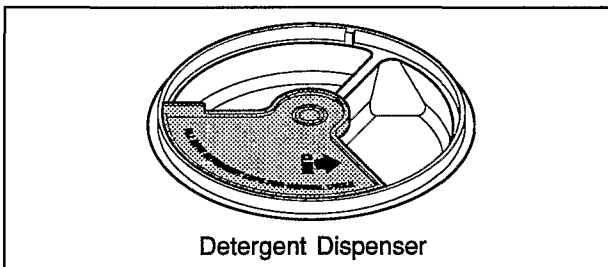


Before Operating Your Dishwasher

Read your dishwasher Owner's Guide. It contains important safety and warranty information. It also contains many suggestions for obtaining the best results from your dishwasher.

To Operate Your Dishwasher

1. Load dishwasher according to directions on reverse side.
2. Before adding detergent, make sure dispenser cups are dry. Do not add detergent until you are ready to operate the dishwasher. Use fresh automatic dishwasher detergent for the best results. The amount of detergent may vary due to local water conditions, refer to your Owner's Guide "detergent chart" for details.
 - Add detergent.
 - Turn lid to cover larger cup.
 - The dispenser will automatically release detergent at the correct time during the wash cycle.



3. Close door but do not latch.
4. Push WASH CYCLES button for desired wash or rinse cycle (see **Wash Cycle Selections** which follow).
5. Push ENERGY OPTION button desired (see **Energy Options** on reverse).
6. Turn TIMER KNOB clockwise to selected cycle.
7. Open hot water faucet nearest dishwasher to clear cool water from water pipe. Turn off the faucet.

8. To start, move latch all the way to the right. The ON indicator light will glow throughout the wash, rinse and dry portions of cycle.

Motor sounds will be heard before water enters tub.

For best results use a rinse aid.

Wash Cycle Selections

Select appropriate wash cycle by pushing a cycle selector button and turning the timer knob to the same cycle.

Pots & Pans

(90 minutes) (2 washes, 3 rinses, dry) (12.6 gallons)
For cleaning sticky pots, greasy broiler pans, encrusted casseroles and dinnerware.

1. Add detergent to both cups. Turn lid to cover larger cup. Close door - do not latch.
2. Push POTS & PANS/HEAVY SOIL button.
3. Select ENERGY OPTION.
4. Turn TIMER KNOB clockwise to POTS & PANS position.
5. To START, move latch all the way to the right.

Heavy Soil

(79 minutes) (2 washes, 2 rinses, dry) (10.0 gallons)
For heavily soiled dishes, silverware, cookware and other items that might require a double wash.

1. Add detergent to both cups. Turn lid to cover larger cup. Close door - do not latch.
2. Push POTS & PANS/HEAVY SOIL button.
3. Select ENERGY OPTION.
4. Turn TIMER KNOB clockwise to HEAVY SOIL position.
5. To start, move latch all the way to the right.

Normal Soil

(69 minutes) (2 washes, 1 rinse, dry) (7.6 gallons)
For regularly soiled dishes and silverware.

1. Add detergent to both cups. Turn lid to cover larger cup. Close door - do not latch.
2. Push NORMAL SOIL/LIGHT SOIL button.
3. Select ENERGY OPTION.
4. Turn TIMER KNOB clockwise to NORMAL SOIL position.
5. To start, move latch all the way to the right.

Light Soil

(58 minutes) (1 wash, 1 rinse, dry) (5.0 gallons)
For lightly soiled or pre-rinsed dishes and silverware.

1. Add detergent to larger cup. Turn lid to cover larger cup. Close door - do not latch.
2. Push NORMAL SOIL/LIGHT SOIL button.
3. Select ENERGY OPTION.
4. Turn TIMER KNOB clockwise to LIGHT SOIL position.
5. To start, move latch all the way to the right.

Rinse & Hold

(12 minutes) (1 rinse) (2.3 gallons)
For rinsing dishes that will be washed later.

1. Do not use detergent. Close door - do not latch.
2. Push NORMAL SOIL/LIGHT SOIL button.
3. Push LO-TEMP DRY button.
4. Turn TIMER KNOB clockwise to RINSE & HOLD position.
5. To start, move latch all the way to the right.

Energy Options

Hi-Temp Wash Option

When HI-TEMP WASH option is selected, the heating element in the bottom of the tub will raise the main wash and final rinse water temperature to approximately 140°F. Wash action will continue but timer will not advance until this water temperature has been reached. The hotter water provided by this option helps activate dishwasher detergent to clean food grease and soil from dishes. HI-TEMP WASH can be used with any cycle except RINSE & HOLD. The WATER HEATING light will glow until the water temperature reaches 140°F. To turn off HI-TEMP WASH option, push the RESET OPTIONS button.

Lo-Temp Dry Option

LO-TEMP DRY saves electricity. The heating element stays off during the drying portion of the cycle. Additional drying time may be required, with the door open, to completely air dry dishes. Some water droplets may remain on door and in areas where dishes touch dishwasher basket or rack.

To turn LO-TEMP DRY option off and select a heated drying cycle, push the RESET OPTIONS button. If the LO-TEMP DRY option is not selected, a heated drying cycle is automatically provided. LO-TEMP DRY must be selected with the RINSE & HOLD cycle.

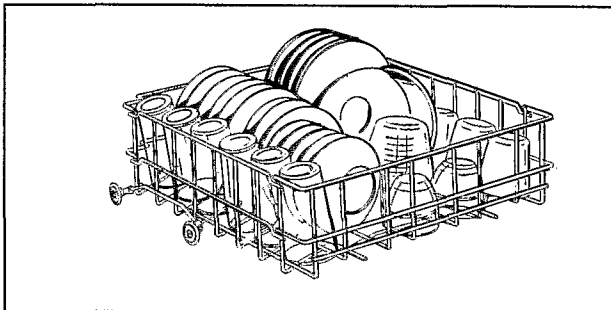
The drying option may be changed at any time during the cycle and affects only the drying period.

How To Load

Refer to the **General Loading** section in your Owner's Guide for more detailed information.

Top Rack

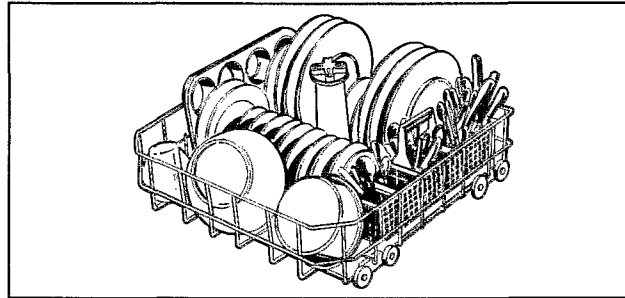
Load glasses, cups, bowls, "dishwasher safe" plasticware, and miscellaneous items on the top rack between prongs.



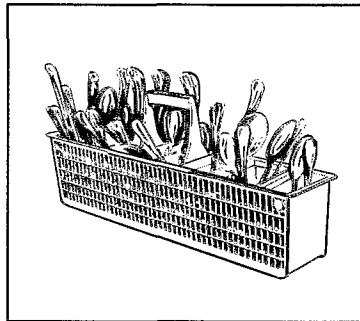
Bottom Rack

Load large plates, platters, bowls, casserole dishes, silverware, and pots and pans on the bottom rack.

Place items on racks with soiled surfaces facing the center of the rack. Be sure large items do not block the detergent dispenser preventing it from opening during the wash cycle.



Silverware Basket



Load knives and fork with handles up. Be sure items do not protrude through the holes in the basket and stop the rotation of the spray arm.

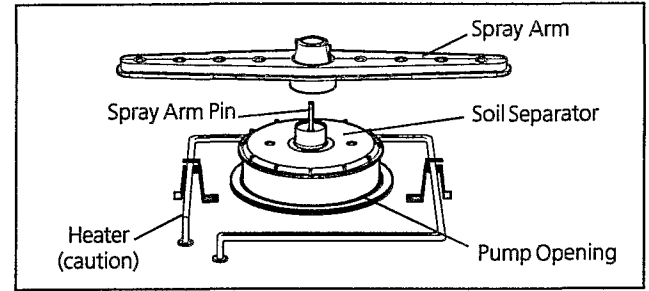
Cleaning the Pump and Spray Arm

Your dishwasher will flush away all normal food soils. However, objects (bones, fruit pits, etc.) may collect in openings and should be removed to avoid clogging the drain.

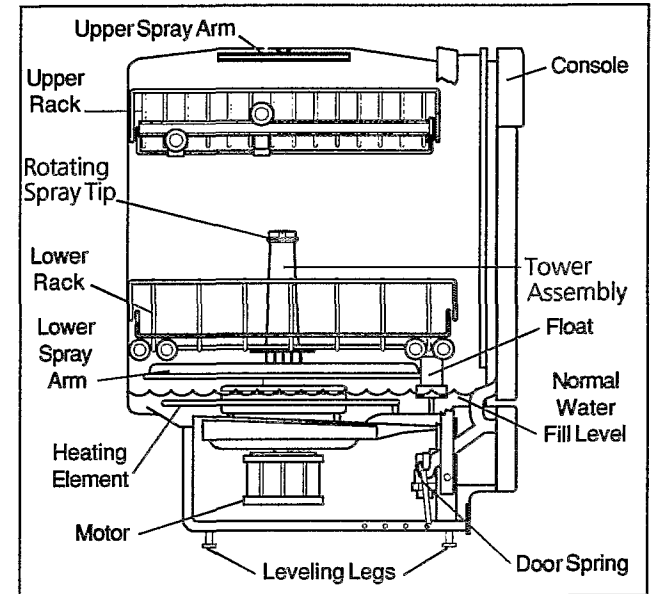
CAUTION To prevent injury, allow dishwasher to cool before cleaning.

CAUTION Be careful when cleaning around the pump area. There may be glass fragments from broken glass items.

1. Remove nut and lift out spray arm. Clean out spray holes.
2. Clean in and around pump openings.
3. Replace spray arm on spray arm pin. Replace and tighten nut. Spray arm should rotate freely.



Important Parts of Your Dishwasher



It is Normal:

- To have short pauses during operation of dishwasher.
- For a small amount of water to remain in bottom of tub.
- To hear water entering dishwasher as it fills.
- To hear water being pumped out of dishwasher as it drains.
- To hear timer clicking as dishwasher cycles advance.

Before You Call for Service

The **Avoid Service Checklist** and **Common Dishwashing Problems and Solutions** in your Owner's Guide discuss many consumer dishwashing concerns.