

# Quick Start Guide

**LIFE  
SENSE**  
Door & Window  
Sensor



CJB1H9002AAA

**TCL**

## What's In The Box?



LIFESENSE x 1



Quick Start Guide x 1



Double-sided tape x 1

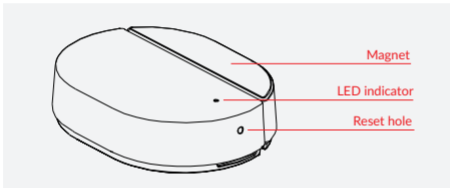
## Specification

Product name	LIFESENSE
Model name	DS01
Operating frequency	2.4 GHz
Transmitted power	8±2dbm
Battery model	CR2032
Battery life	>2 years
Installation distance	<20mm

## Getting to Know Your LIFESENSE

The LIFESENSE sensor is an open/closed sensor for indoor use. With this device, you can monitor the open/closed status of any door or window in your home, garage or cabinet, for example.

**Note:** This device requires a LIFECONNECT in order to work.

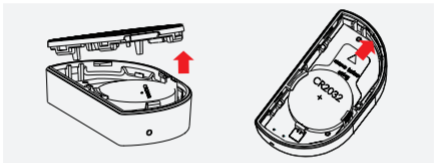


### LED indicators

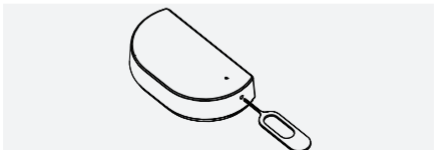
Flashing blue	Searching for LIFECONNECT
Constant blue	Connected to network
Flashing red	Low battery

## Adding Your LIFESENSE

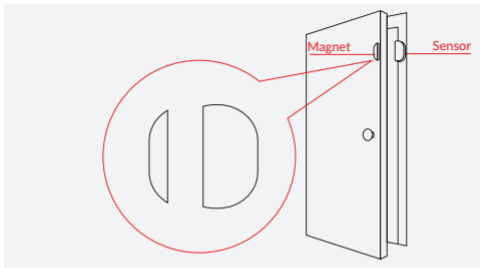
1. Make sure that the LIFECONNECT is connected with your router.
2. Open your LIFE App, log in to your account and select "+" in the App. Follow the on-screen instructions in the App to add and configure your LIFESENSE.
3. Open the LIFESENSE and remove the battery isolation tag found in the device.



**Note:** If the connection fails after removing the tag, use a needle to press the LIFESENSE reset hole until the blue LED turns on. The LIFESENSE LED will flash blue while attempting to connect. Then select "+" in the LIFE App.



## Installing Your LIFESENSE



1. Remove the protective film of the double-sided tape.
2. Mount the sensor on your door/window frame and the magnet on the door/window itself. (Ensure that the gap between the magnet and the sensor is less than 20mm.)

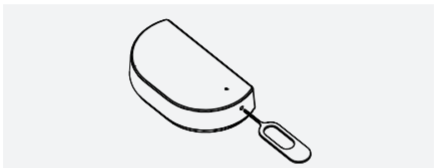
### Notes:

- Apply the double sided tape to a clean and dry surface.
- Your LIFESENSE should be as close as possible to your LIFECONNECT while the connection is being made. Within 5 metres is optimal.

## Disconnecting from current network

If you want to remove the LIFESENSE from your current network, use one of the following two methods:

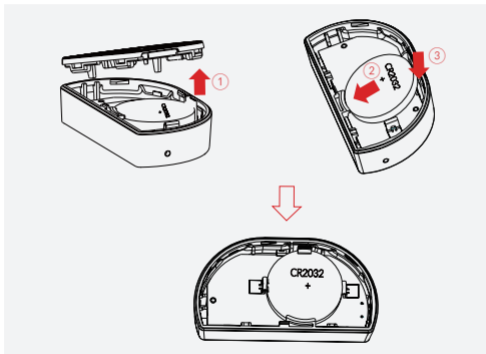
- Long press the reset hole until the LED light flashes blue.



- Remove from the App as follows:
  1. Launch the LIFE App.
  2. Select LIFESENSE and open the homepage.
  3. Select "**Remove LIFESENSE**" from the popup menu.

## Replacing Battery

To replace the battery, open your LIFESENSE and insert a new CR2032 battery.





## FAQ

1. Q: How long will my LIFESENSE work for?

**A:** Your LIFESENSE uses a coin cell battery, with a lifespan of up to 2 years. (based on 10 open/closed occurrences per day; battery life will vary according to the level of usage).

2. Q: Can my LIFESENSE be used outside?

**A:** The LIFESENSE is for indoor use only.

3. Q: Can I control the opening and closing of automatic windows and doors using my LIFESENSE?

**A:** Your LIFESENSE does not support control over the opening and closing of automatic windows and doors.

4. Q: Why can't my LIFESENSE be stuck firmly to the window or door?

**A:** Wipe clean the place you want to stick the device with a wet towel, allow to dry and then reapply the double-sided tape.

# Safety and Use

## Electronic Devices

Turn off your device near high-precision electronic devices. The wireless device may affect the performance of these devices. Such devices include hearing aids, pacemakers, fire alarm systems, automatic gates, and other automatic devices. If you are using an electronic medical device, consult the device manufacturer to confirm whether radio waves affect its operation.

## Hospitals

Pay attention to the following points in hospitals or health care facilities:

- Do not take your wireless device into the operating room, intensive care unit, or coronary care unit.
- Do not use your wireless device at places for medical treatment where wireless device use is prohibited.

## Storage Environment

- Do not place magnetic storage media such as magnetic cards and floppy disks near the wireless device. Radiation from the wireless device may erase the information stored on them.
- Do not put your wireless device and other accessories in contain-

ers with strong magnetic fields, such as an induction cooker or a microwave oven. Otherwise, circuit failure, fire, or explosion may occur.

- Do not leave your wireless device in a very hot or cold place. Otherwise, malfunction of the product, fire, or explosion may occur.
- Do not subject your wireless device to serious collision or shock. Otherwise, wireless device malfunction, overheating, fire, or explosion may occur.

## **Child Safety**

- Put your wireless device in places beyond the reach of children. Do not allow children to use the wireless device without guidance.
- Do not allow children to put the device in their mouths.
- Do not allow children to touch small fittings. Otherwise, suffocation or choking could occur if they are swallowed.

## **Operating Environment**

- The wireless device is not water-resistant. Keep it dry. Protect the wireless device from water or vapour. Do not touch the wireless device with a wet hand. Otherwise, short-circuit, malfunction of the product or electric shock may occur.

- Do not use the wireless device in dusty, damp and dirty places or within magnetic fields. Otherwise, malfunction of the circuitry may occur.
- The wireless device may interfere with nearby TV sets, radios and PCs.
- In accordance with international standards for radio frequency and radiation, use wireless device accessories approved by the manufacturer only.

## **Traffic Safety**

When driving, do not use the wireless device.

- When switched on, this device emits electromagnetic waves that can interfere with the vehicle's electronic systems such as ABS anti-lock brakes or airbags. To ensure that there is no problem, do not place this device on top of the dashboard or within an airbag deployment area.
- Check with your car dealer or the car manufacturer to make sure that the dashboard is adequately shielded from this device RF energy.

## **Conditions of Use**

- Indoor use only.
- Do not allow your device to be exposed to adverse weather or

environmental conditions (moisture, humidity, rain, infiltration of liquids, dust, sea air, etc.).

- When this device is switched on, it should be kept at least 20 cm from the body.
- When this device is switched on, it should be kept at least 15 cm from any medical device such as a pacemaker, a hearing aid or insulin pump, etc.
- When replacing the cover, please note that this device may contain substances that could create an allergic reaction.
- Do not paint it.
- The manufacturer's recommended operating temperature range is 0°C to +45°C.
- Always handle this device with care and keep it in a clean and dust-free place.
- Clean this device with a dry cloth only.
- Do not attempt to disassemble or repair this device or its accessories.
- Do not drop, throw or bend this device.
- Do not let children use this device and/or play with the this device and accessories without supervision.

## Certification



This symbol on the device means that these products must be taken to collection points at the end of their life:

- Municipal waste disposal centres with specific bins for these items of equipment.

- Collection bins at points of sale.

They will then be recycled, preventing substances being disposed of in the environment and allowing their components to be reused.

### **In European Union countries:**

These collection points are accessible free of charge.

All products with this sign must be brought to these collection points.

### **In non European Union jurisdictions:**

Items of equipment with this symbol are not to be thrown into ordinary bins if your jurisdiction or your region has suitable recycling and collection facilities; instead they are to be taken to collection points for them to be recycled.

**CAUTION:** RISK OF EXPLOSION IF BATTERY IS REPLACED BY AN INCORRECT TYPE. DISPOSE OF USED BATTERIES ACCRDIING TO THE INSTRUCTIONS.

## Radio Waves

THIS DEVICE MEETS THE GOVERNMENT'S REQUIREMENTS FOR EXPOSURE TO RADIO WAVES.

Your device is a radio transmitter and receiver. It is designed and manufactured not to exceed the emission limits for exposure to radio-frequency (RF) energy. These limits are part of comprehensive guidelines and establish permitted levels of RF energy for the general population. The guidelines are based on standards that were developed by independent scientific organizations through periodic and thorough evaluation of scientific studies. These guidelines include a substantial safety margin designed to ensure the safety of all persons, regardless of age and health.

The World Health Organization (WHO) considers that present scientific information does not indicate the need for any special precautions for use of wireless devices. If individuals are concerned, they might choose to limit their own or their children's RF exposure by limiting the length of use to keep device away from the head and body. Additional WHO information about electromagnetic fields and public health are available on the following website: <http://www.who.int/peh-emf>.

Note: This equipment has been tested and found to comply with the limits for a Class B digital device pursuant to part 15 of the FCC Rules. These limits are designed to provide reasonable protection against

harmful interference in a residential installation. This equipment generates, uses and can radiate radio frequency energy and, if not installed and used in accordance with the instructions, may cause harmful interference to radio communications. However, there is no guarantee that interference to radio or television reception, which can be determined by turning the equipment off and on, the user is encouraged to try to correct the interference by one or more of the following measures:

- Reorient or relocate the receiving antenna;
- Increase the separation between the equipment and receiver;
- Connect the equipment into an outlet on a circuit different from that to which the receiver is connected;
- Consult the dealer or an experienced radio/ TV technician for help.

Changes or modifications not expressly approved by the party responsible for compliance could void the user's authority to operate the equipment.

For the receiver devices associated with the operation of a licensed radio service (e.g. FM broadcast), they bear the following statement:

This device complies with Part 15 of the FCC Rules and Innovation, Science and Economic Development Canada licence-exempt RSS standard(s).



Operation is subject to the following two conditions:

- This device may not cause harmful interference;
- This device must accept any interference received, including interference that may cause undesired operation.

Your device is equipped with a built-in antenna. For optimal operation, you should avoid touching it or degrading it.

Please note by using the device some of your personal data may be shared with the main device. It is under your own responsibility to protect your own personal data, not to share with it with any unauthorized devices or third party devices connected to yours. For products with Wi-Fi features, only connect to trusted Wi-Fi networks. These precautions will help prevent unauthorized access to your device. Choose your apps and updates carefully, and install from trusted sources only. Note that any data shared with TCL Communication Ltd. is stored in accordance with applicable data protection legislation. For these purposes TCL Communication Ltd. implements and maintains appropriate technical and organizational measures to protect all personal data, for example against unauthorized or unlawful processing and accidental loss or destruction of or damage to such personal data whereby the measures shall provide a level of security that is appropriate having regard to

- The technical possibilities available;
- The costs for implementing the measures;
- The risks involved with the processing of the personal data, and;
- The sensitivity of the personal data processed.

You can access, review and edit your personal information at any time by logging into your user account, visiting your user profile or by contacting us directly. Should you require us to edit or delete your personal data, we may ask you to provide us with evidence of your identity before we can act on your request.

Innovation, Science and Economic Development Canada (ISED)  
Notice

This device complies with Innovation, Science and Economic Development Canada license-exempt RSS standard(s). Operation is subject to the following two conditions:

- This device may not cause interference, and;
- This device must accept any interference, including interference that may cause undesired operation of the device.

This Class B digital apparatus complies with Canadian ICES-003.

Innovation, Science and Economic Development Canada (ISED)  
Radiation Exposure Statement

## Lisense

FCC: 2ACCJBC04

## Warranty

The device is warranted against any deviation from technical specifications for a period of twelve (12)<sup>(1)</sup> months from the date specified on your original invoice.

Batteries and accessories sold with your device are also warranted against any defect which may occur during the first six (6) months from the date of purchase as shown on your original invoice.

Under the terms of this warranty, you must immediately inform your vendor in case of a conformity defect on this device and present a proof of purchase.

The vendor or repair centre will decide whether to replace or repair this device, as appropriate.

Repaired or replaced versions of this device are warranted for ONE (1) month unless there are statutory provisions to the contrary.

This warranty shall not apply to damage or defects to this device due to:

- 1) Not following the instructions for use or installation.

---

<sup>(1)</sup> The warranty period may vary depending on your country.

- 2) Not being compliant with technical and safety standards applicable in the geographical area where this device is used.
- 3) Improper maintenance of sources of energy, and of the overall electric installation.
- 4) Accidents or consequences of theft of the vehicle in which this device is transported, acts of vandalism, lightning, fire, humidity, infiltration of liquids, inclement weather.
- 5) Connecting to or integrating into this device any equipment not supplied or not recommended by the manufacturer.
- 6) Any servicing, modification or repair performed by individuals not authorised by the manufacturer, the vendor or the approved maintenance centre.
- 7) Use of this device for a purpose other than that for which it was designed.
- 8) Malfunctions caused by external causes (e.g., radio interference from other equipment, power voltage fluctuations).
- 9) Faulty connections resulting from unsatisfactory radio transmission or caused by the absence of radio relay coverage.

Warranty is also excluded for this device on which markings or serial numbers have been removed or altered.

The LIFECONNECT serial number (SN) should be reported together with this device for repairs. The serial number (SN) can be found on the label on the back of the device.

This device is also warranted against hidden defects (defects inherent in the design, manufacture, etc.).

There are no other express warranties other than this printed limited warranty, expressed or implied, of any nature whatsoever.

In no event shall the manufacturer be liable for incidental or consequential damages of any nature whatsoever, including but not limited to trading loss, commercial loss, to the full extent those damages can be disclaimed by law. Some countries/states do not allow the exclusion or limitation of incidental or consequential damages, or limitation of the duration of implied warranties, so the preceding limitations or exclusions may not apply to you.

All rights reserved © 2017 TCL Communication LTD.

Address: Room 1910-12A, Tower 3, China HK City, 33 Canton Road, Tsimshatsui, Kowloon, Hong Kong