

USER GUIDE

MODEL : TL603-LD

900MHz 40 Channel Cordless Telephone

Before operating the unit, please read this manual
thoroughly and retain it for future reference.

TABLE OF CONTENTS

BEFORE OPERATING THE PHONE

1. Features
2. Checking the package contents

IDENTIFYING THE PARTS

3. Base unit
4. Cordless handset

INSTALLATION

5. Connecting the base phone
6. Installing the battery into the handset
7. Charging the battery pack

OPERATING THE PHONE

8. Change the system security code
9. Adjusting the ringer
10. Adjusting the receiver volume
11. Making a call
12. Answer a call
13. Redial the last number
14. Channel selection
15. FLASH function
16. Store number in memory
17. Making memory dialing calls
18. Page the handset
19. Battery low in handset
20. Replacing the Battery
21. Choosing Tone or Pulse Dialing
22. Setting the standby time of Handset battery

TROUBLE SHOOTING

23. Error tone
24. Interference
25. Malfunction

IMPORTANT NOTES

26. The factory presetting
27. Specification

COMPLIES WITH PART 68 FCC RULES	HAC MODEL NO.: TL603-LD
FCC REGISTRATION NO.:	FCC ID :
R INGEER EQUIVANENCE :	TCL Communication Int'l Ltd
USOC JACK : RJ11C, RJ11W	MADE IN CHINA

DATE :

CAUTION : ANY CHANGES OR MODIFICATION IN CONSTRUCTION OF THIS DEVICE WHICH ARE NOT EXPRESSLY APPROVED BY THE PARTY RESPONSIBLE FOR COMPLIANCE COULD VOID THE USER'S AUTHORITY TO OPERATE THE EQUIPMENT. PRIVACY OF COMMUNICATIONS MAY NOT BE ENSURED WHEN USING THIS PHONE. THIS DEVICE COMPLIES WITH PART 15 OF THE FCC RULES. OPERATION IS SUBJECT TO THE FOLLOWING TWO CONDITIONS : (1) THIS DEVICE MAY NOT CAUSE HARMFUL INTERFERENCE, AND (2) THIS DEVICE MUST ACCEPT ANY INTERFERENCE RECEIVED, INCLUDING INTERFERENCE THAT MAY CAUSE UNDESIRED OPERATION.

BEFORE OPERATING THE PHONE

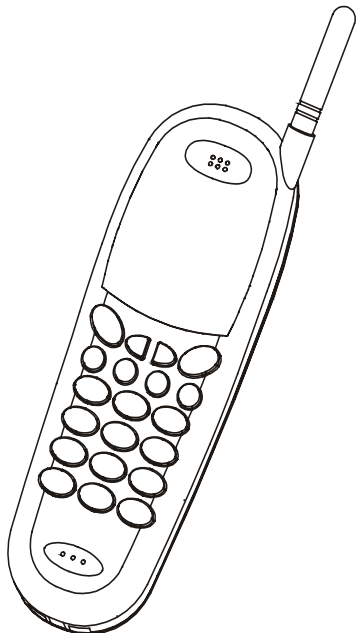
1. Features

- 1) U.S.A. 40-channel auto select.
- 2) Random 20-bit digital security code.
- 3) Manual change channel with channel availability test.
- 4) Out-of-range indication and release of an engaged line.
- 5) Volume High / Low selection on handset.
- 6) Ten 16-digit speed dial memory
- 7) Last number redial (up to 32 digits).
- 8) Flash (100 / 300 / 600 mS selectable).
- 9) One way paging. (base page handset).
- 10) Auto receive when handset is lifted off the cradle during ringing.
- 11) Auto standby for power saving when the handset is at idle mode.
- 12) Lighted dial keypad(optional)
- 13) Tone / Pulse dialing
- 14) 40:60 / 33:66 make / break ratio selectable.

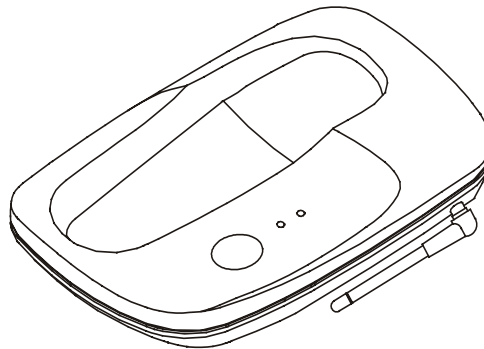
- 15) Pause function.
- 16) Key tone, error tone and confirmation tone.
- 17) Low battery indication with warning tone on handset.
- 18) 4 ringer cadence selectable by handset program key.

2. Checking the package contents

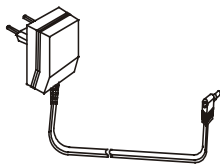
Make sure the following items are included in the package. If anything is missing, contact your local dealer.



HANDSET



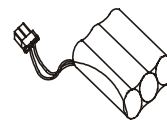
BASE



POWER ADAPTOR
DC 9V 200 mA ⊖ ⊕



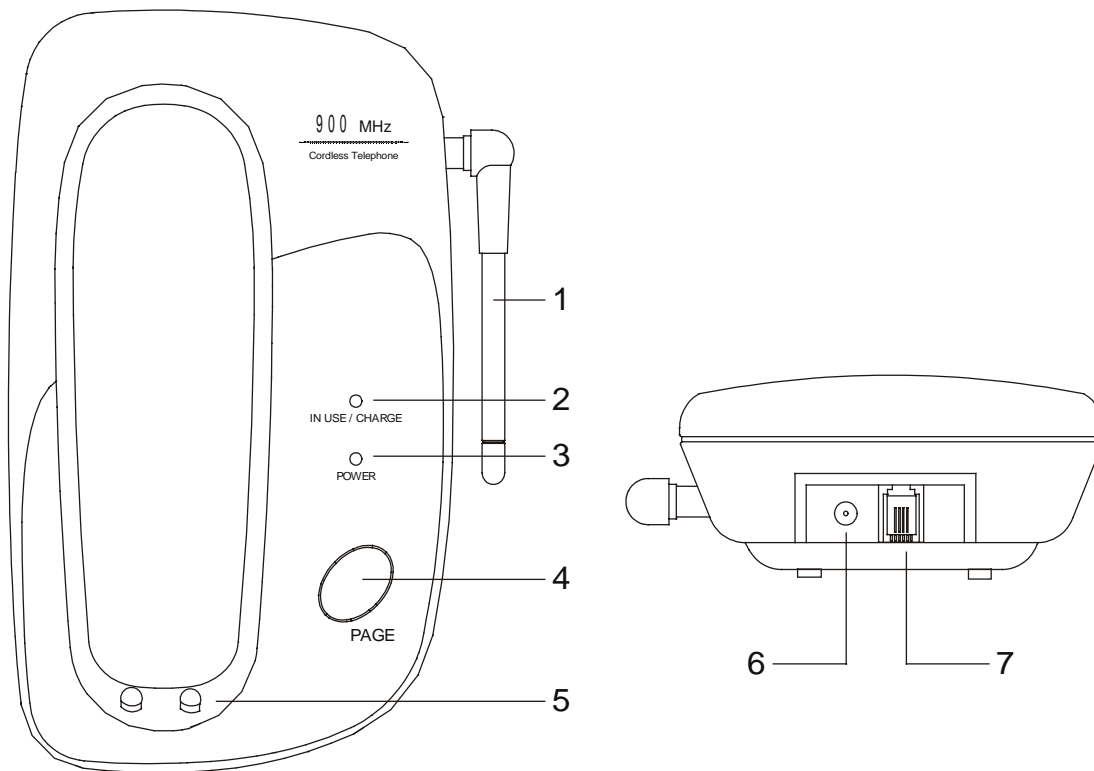
TEL. LINE



RECHARGEABLE BATTERY

IDENTIFYING THE PARTS

3. Base unit



1) ANTENA

2) IN USE / CHARGE INDICATOR

Lighting when the unit is in use AND the Handset is placed in the cradle.

3) POWER INDICATOR

Lighting when the power input is connected.

4) PAGE BUTTON

Press this button to send a page signal to the handset.

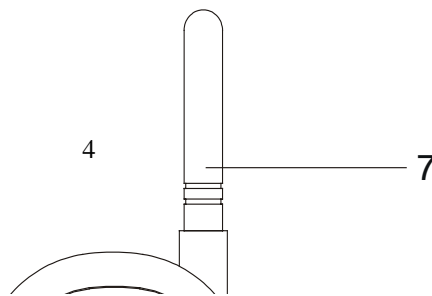
5) CHARGING CONTRACT POINT

6) POWER INPUT (DC 9V/300mA) JACK

7) TELEPHONE LINE – IN JACK

IDENTIFYING THE PARTS

4. Cordless Handset



1) **IN USE** INDICATOR

2) **VOLUME LOW** BUTTON

3) **TALK** BUTTON

Let you make or receive a call

4) **REDIAL / PAUSE** BUTTON

Redial the last number called.

Pause function when between the dialing digit.

5) **CHANNEL** BUTTON

Allow you to change channel when interference occurs.

6) **MICROPHONE**

7) **ANTENNA**

8) **RECEIVER**

9) **VOLUME HIGH** BUTTON

10) **PROGRAM BUTTON**

Allow you to set the phone setting (Ringer type, Tone / Pulse, M/B, Flash).

11) **FLASH BUTTON**

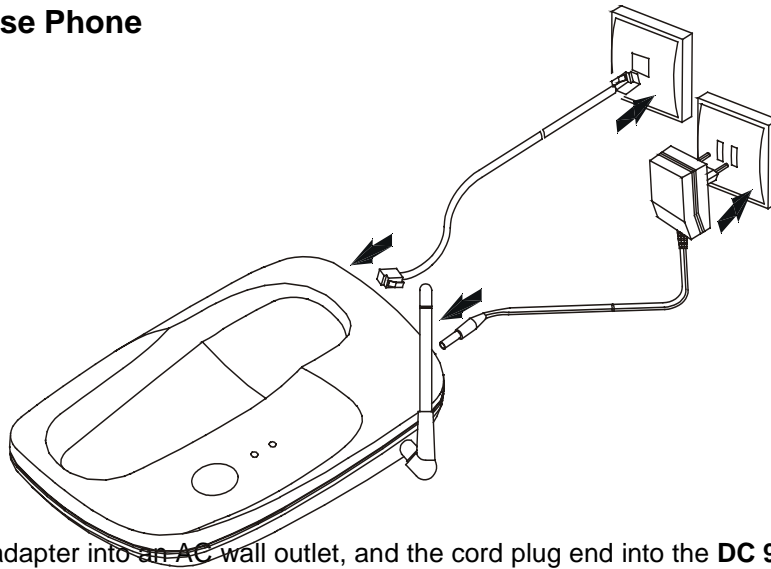
12) **MEMORY BUTTON**

Allow you to store telephone number, or recall telephone number up to 16 digits.

13) **LING BUTTONS (0-9, */T, #)**

INSTALLATION

5. Connecting The Base Phone



5.1 Connect the AC power adapter into an **AC** wall outlet, and the cord plug end into the **DC 9V** jack in the back the base phone.

5.2 Plug one end of the telephone line cord (supplied) into the **TELEPHONE LINE-IN** jack and the other end into a telephone outlet.

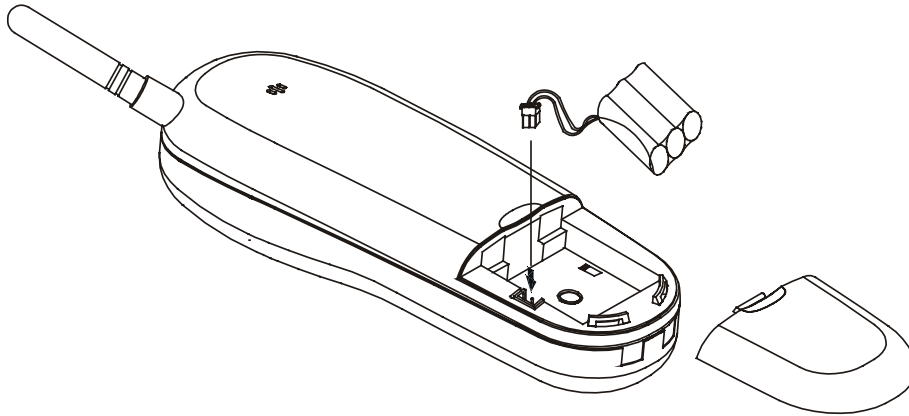
5.3 Turn the antenna to vertical direction.

WARNING

1. Never install telephone jacks during a lightning storm.
2. Never install telephone jacks in wet location unless the telephone line has been disconnected at the network interface.

3. Never touch un-insulated telephone wires or terminals unless the telephone line has been disconnected at the network interface.
4. Use caution when installing or modifying telephone lines.

6. Installing the battery into the Handset



- 6.1 Remove the battery compartment lid.
- 6.2 Plug the battery pack cord into the connector inside the battery compartment.
- 6.3 Place the battery pack in the battery compartment.
- 6.4 Replace the lid by sliding up over the pack until firmly in place.

7. Charging the Battery pack

- 7.1 Place the handset in the charging cradle, until the **CHARGE** indicator lights.
- 7.2 Charge the handset for a full 10-12 hours.
- 7.3 Remove the handset from the charging cradle.
- 7.4 Press the **TALK** button and make sure the **IN USE** indicator does not flash light (The **BATTERY LOW** indicator flash lights when the handset needs recharging).
From then on, recharge the battery pack by placing the handset in the charging cradle when the **IN USE** indicator flash lights.

OPERATING THE PHONE

8. Change the system security code

The security code prevents your telephone from being operated by another cordless telephone.

The

code is changed every time the handset is placed in the charging cradle.

- 8.1 Place the handset in the charging cradle until the **CHARGE** indication lights.
- 8.2 The handset will automatically select a random code from a total of one 1,048,576 combinations.

8.3 If the code and channel are changed successfully, there will be a confirmation beep tone from the handset.

8.4 Repeat the procedure until there is a confirmation beep tone from the handset.

9. Adjusting The Ringer Melody

There are 4 kinds of ringer tone can be selected to suit different environment conditions.

9.1 In standby mode, press **PROG** button, you will see the **IN USE** indicator flash light.

9.2 Press “1” key to select the ringer type 1.

9.3 Press “2” key to select the ringer type 2.

9.4 Press “3” key to select the ringer type 3.

9.5 Press “4” key to select the ringer type 4.

9.6 To finish the setting, press the **PROG** button again.

10. Adjusting the Receiver volume

In talk mode, the original volume setting is **LOW**.

10.1 Press the “**VOL>**” to set the volume **HIGH**.

10.2 Press the “**VOL<**” to set the volume **LOW**.

11. Making a call

11.1 Press the **TALK** button to be connected to the phone line. The handset **IN USE** indicator (as well as

the base **IN USE** indicator) will light.

11.2 Dial the phone number when you hear the dialing tone.

11.3 Press the **TALK** button again or place the handset in the charging cradle or disconnect the phone line.

12. Answer a call

12.1 If the handset is out of the cradle, press any button to be connected to the phone line.

12.2 If the handset is in the cradle, lift the handset. Do not press the **TALK** button, you will be connected to

the phone line automatically.

12.3 Press the **TALK** button or place the handset in the charging cradle to disconnect the phone line.

13. Redial the last number dialed

You can dial the last number you dialed.

13.1 In standby mode, press the **TALK** button to be connected to the phone line. Press the **REDIAL** button

to redial the last number you dialed.

13.2 In talk mode, press **REDIAL** button, it will be reconnected to the phone line, then it will redial the last

number you dialed automatically.

OPERATING THE PHONE

14. Channel Selection

This feature allows you to select the channel that gives you the clearest reception.

14.1 During conversation on the phone, if the interference occurs, pressing the **CHANNEL** button will

change to a new channel. Each pressing the **CHANNEL** button will change to new channel.

14.2 If interference continues, move the handset close to the base phone.

NOTES :

If the channel selection function fails because of excessive interference, the handset may end the call.

To help normalize reception, place the handset in the cradle for a few seconds.

15. FLASH Function

Similar to depressing the hook switch, the **FLASH** button is used for activating custom calling from your

local phone company, such as call waiting and call transferring (subscription the phone company required and generally incur and extra monthly fee).

15.1 For call waiting, press the **FLASH** button once during a call to temporarily switch from existing call to a

new incoming call. Press the **FLASH** button again to return to the original call.

15.2 Flash timing setting

Press the **PROG** button, you will see the **IN USE** indicator flash light, press the number key in the key

board to select the timing (100 / 300 / 600). Press the **PROG** button again to finish the setting.

15.3 For 100 mS setting, press PROG, press "9" key, press PROG button to finish.

15.4 For 300 mS setting, press PROG, press "*" key, press PROG button to finish.

15.5 For 600 mS setting, press PROG, press "0" key, press PROG button to finish.

NOTES :

Refer to the phone company's instructions for more details on how to use this button for specific

features.

16. Store number in memory

You can store up to 10 telephone numbers in memory, these can be speed dialed by pressing two buttons.

16.1 In standby mode, press **MEMORY** button, **IN USE** indicator will flash.

16.2 Dial the telephone number (0-9, */T, # PAUSE) that you want to store on the keypad (up to 16 digits).

16.3 Press the **MEMORY** button again.

16.4 Press the memory location number (0 through 9) where the number is to be stored.

16.5 A confirmation beep will be heard to confirm the number has been successfully stored.

16.6 To store numbers in order locations, repeat the above steps.

NOTES :

Each tone or pause entered uses one of the available digits. If you do not press a key for more than 20

seconds while programming, an error tone will be heard. You must repeat the procedure.

OPERATING THE PHONE

17. Making memory dialing calls

Once the numbers have been stored in the memory, you can make a call with two buttons.

17.1 Press the **TALK** button to be connected to the phone line.

17.2 Press the **MEMORY** button (0 through 9).

17.3 Press the desired memory location number, the phone number stored in the button will be dialed.

18. Page the handset

You can send a page signal from the base to the handset in order to locate it.

18.1 Press the **PAGE** button on the base.

18.2 Beep tone will sound from the handset, **IN USE** indicator will flash. These signals will last for 10

seconds,

18.3 Pressing the **TALK** button on the handset will be connected to the phone line.

19. Battery low in handset

In talk mode, if the battery becomes low, the **LED** will flash and the beep tone will sound from the handset.

20. Replacing the battery

If the handset battery pack will not last for more than two hours even after an overnight charge, it must

be replaced.

Replace the battery pack with the same type and size battery pack only, and the polarity must match

with the handset.

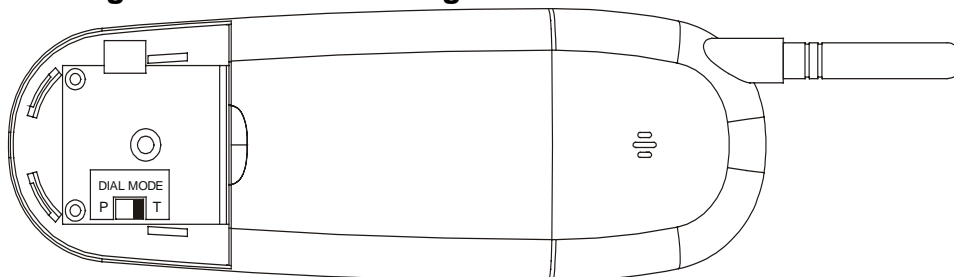
20.1 Slide the battery compartment cover down and take it off the handset.

20.2 Gently pull the battery wires until the wire connector comes out of the socket.

20.3 Remove the battery pack, inset and connect a new one.

20.4 Replace the battery compartment cover.

21. Choosing Tone or Pulse Dialing



Set the **DIAL MODE** switch to :

TONE if your dialing system is tone.

PULSE if your dialing system is pulse.

21.1 Slide the battery compartment cover down and take it off the handset.

21.2 Remove the battery pack, you can see the **TONE / PULSE** switch inside, set it to **TONE** or **PULSE**.

21.3 Remove the battery pack back and replace the battery compartment cover.

Replace the battery compartment cover.

OPERATING THE PHONE

22. Setting the standby time of Handset battery

You can program the Handset to select the battery standby time as you want.

There are 4 kinds of setting for you to program, if you want to set a long standby, please select 4th kind ,

but it will miss the first or second ring, If you want to select the first kind, the ring will be normal, but the

standby time will be short, the factory presetting is 3rd kind, sometimes it will be missing the first ring.

22.1 Press **PROG** button on Handset, press # button 1/2/3/4 times, you hear beep sound 4/1/2/3/ times, 1

sound for the first kind 4 sound for 4th kind, press **PROG** button to finish the setting.

TROUBLE SHOOTING

23. Error tone

If you hear an error tone when you press the **TALK** button, you may be out of operating range.

1. Be sure the antenna is on vertical direction.
2. If necessary, move closer to the base.
3. If there is still a problem, check to be sure the base is plugged in and then place the handset in the base cradle for a few seconds.

24. Interference

This phone operates on the principle of a two-way radio. Like a radio, it can be affected in some cases by

the local environment (for example, aluminum siding, electrical appliances, etc.) Although occasional

interference is normal, every effort has been made to make your cordless phone radio communication

crisp and clear.

If you experience unusual levels of noise :

1. Try selecting another channel.
2. Make sure the antenna of base is on vertical direction.
3. Try relocating the base unit. You may want to try several locations to attain the best performance.

25. Malfunction

If you experience any malfunction in operation :

1. Place the handset in the cradle until there is confirmation beep.
2. Remove the handset battery pack and then replace it.

IMPORTANT NOTES

26. The factory presetting

Flash : 600mS

Make / Break : 40 / 60

Volume : Low

Ringer melody type : First

Standby time mode : 3rd kind of standby time setting

27. Specification

Description	Base	Handset
Modulation	FM	FM
Frequency generation	PLL	PLL
Tx frequency (MHz)	902.80 ~ 904.75	925.30 ~ 927.25
Rx frequency (MHz)	925.30 ~ 927.25	902.80 ~ 904.75
Operation voltage	220 V AC- 9 V DC / 300mA	3.6 V DC/280 mAh

Warning : Changes or modifications to this unit not expressly approved by the party responsible for compliance could void the user's authority to operate the equipment.

NOTE : This equipment has been tested and found to comply with the limits for a class B digital device, pursuant to Part 15 of the FCC rules, These limits are designed to provide reasonable protection against harmful interference in residential installation. This equipment generates, uses and can radiate radio frequency energy and, if not installed and used in accordance with the instructions, may cause harmful interference to radio communications.

However, these is no guarantee that interference will not occur in a particular installation. If this equipment does cause harmful interference to radio or television reception which can be

determined by turning the equipment off and on, the encouraged to try to correct the interference by one more of the following measures.

- * Reorient or relocate the receiving antenna.
- * Increase the separation between the equipment and receiver.
- * Connect the equipment in to an outlet on a circuit different from that to which the receiver is needed.
- * Consult the dealer or an experienced radio / TV technician for help.

REF NO : 603LDMNU