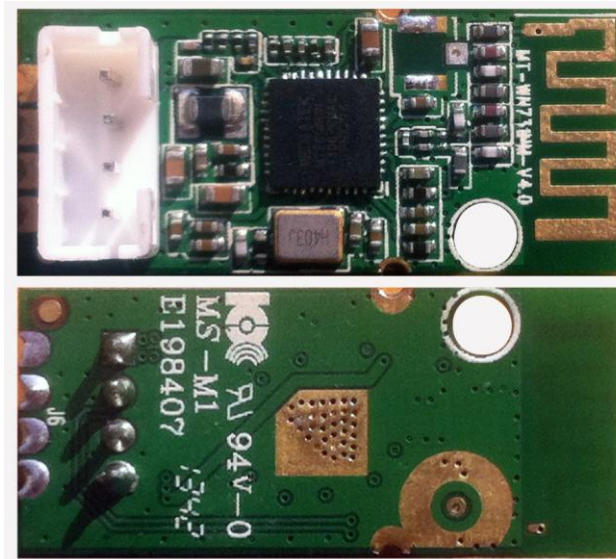


MT-WN731NM Datasheet

150Mbps 802.11 b/g/n Wireless USB Adapter



REV: V 4.2

Date: 2013/11/20

1、 Product Description:

MT-WN731NM is a 150M wireless module. It uses a highly integrated, feature-rich MT7601U CPU, support the 2.4G band, in full compliance with the IEEE802.11n protocol standard, is also fully compatible with 802.11g and 802.11b standards. The WN731NM provide a small size with a USB interface high standards and reliable Wi-Fi, there are MAC / BBP / RF controller and high-gain power amplifier provides excellent performance. The WN731NM play the greatest benefits for end users anytime, anywhere.

2、 Product Features :

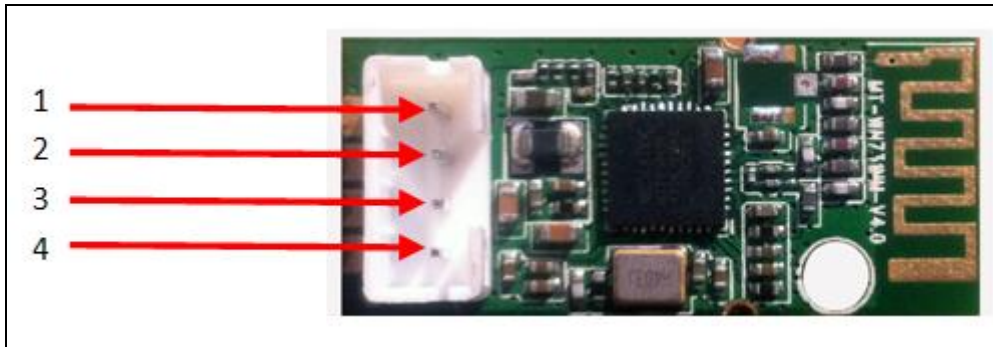
- Support USB 2.0;
- Support 20MHz/40MHz Bandwidth transmission;
- Comply with IEEE 802.11n protocol, compatible with IEEE 802.11g/ IEEE 802.11g standards;
- Automatic transmission rate detection network and transform;
- Supports 64/128 bit WEP data encryption; support WPA/WPA2/TKIP/AES other encryption methods;
- One Transmit and one Receive path (1T1R)
- Built-in smart antenna
- Support 2.4G band
- Support Multiple BSSID
- Support QoS-WMM, WMM-PS
- Support WPS: PIN, PBC
- Support Infrastructure mode、 Ad-Hoc mode
- Support Cisco CCX
- Support Soft AP
- Low Power with Advanced Power
- Operating System Support: Windows XP 32/64, 2000, Vista32/64, Windows 7 32/64, Win8,Linux, Macintosh

3、Performance parameters:

Protocol standards	IEEE 802.11n; IEEE 802.11g ; IEEE 802.11b
Transmission rate	11b: 1/2/5.5/11Mbps
	11g: 6/9/12/18/24/36/48/54Mbps
	11n: up to 150Mbps
Frequency range	2.412 ~ 2.462GHz
Operating Channels	1 ~ 11 (2.4G)
Transmit power (Peak)	26+/-2dBm ()
Spread-spectrum technology	DSSS
Modulation type	CCK/ OFDM/ BPSK/ QPSK/ QAM
Receiver Sensitivity	11n: -68dBm@130M; -68dBm@108M
	11g: -69dBm@54M
	11b: -85dBm@11M
Encryption	WPA/WPA2/WPA-WPA2/802.1x
	64/128 bit WEP encryption
	WPS (PIN, PBC)
Operating System Support	Window 2000/XP/Vista/Win7/Win8/ Mac OS/Linux
Interface	USB 2.0 (3.3V; 4 pin 2.0 Pitch White outlet)
Antenna	Built-in smart antenna
Dimensions (mm)	28 * 12.5 * 1.0 mm
Use of the environment	Operating Temperature: 0°C ~ 40°C
	Storage temperature: -20°C ~ 75°C
	Operating Humidity: 10% ~ 90% RH Non-condensing
	Storage Humidity: 5% ~ 95% RH Non-condensing

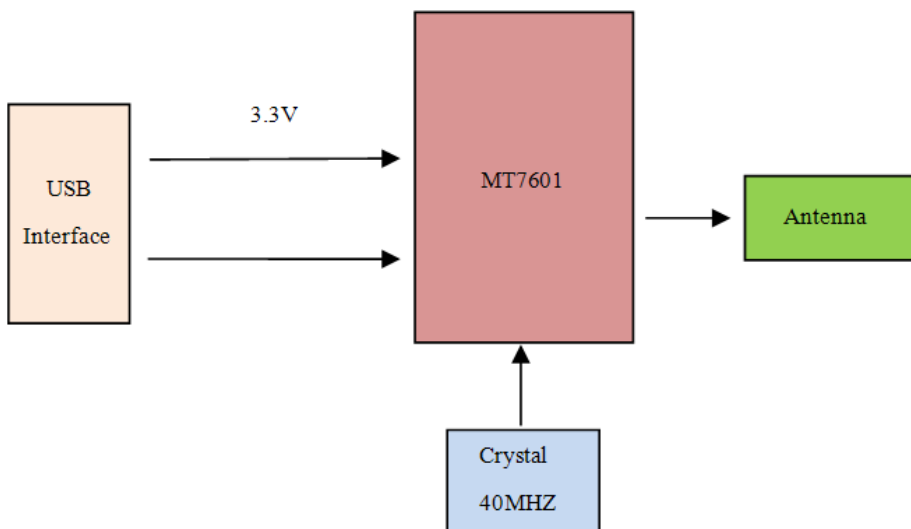
4、USB pin module interface definition:

1	GND
2	D+
3	D-
4	VCC(3.3V)



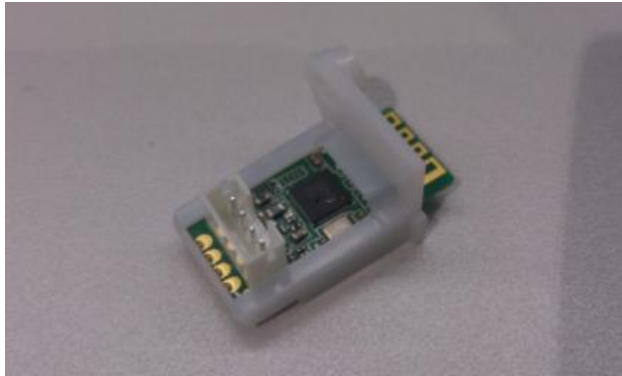
USB Max operating current: 570mA; Operating Current: 329mA

5、Block Diagram:



How to fix the Wi-Fi module to BP340 unit

1. Fixed the module to the module bracket



2. Fixed the bracket to the front case and connected with a 4-pins cable



3. Fixed the front case subassembly to the bottom case subassembly



4. connected the WIFI cable to the mainboard 4-pins connector.



5. Fixed the top cover case



Assemble finished.

FCC Statement

Changes or modifications not expressly approved by the party responsible for compliance could void the user's authority to operate the equipment

This device complies with Part 15 of the FCC Rules. Operation is subject to the following two conditions: (1) this device may not cause harmful interference, and (2) this device must accept any interference received, including interference that may cause undesired operation.

IC Statement

This device complies with Industry Canada licence-exempt RSS standard(s). Operation is subject to the following two conditions: (1) this device may not cause interference, and (2) this device must accept any interference, including interference that may cause undesired operation of the device.

Le présent appareil est conforme aux CNR d'Industrie Canada applicables aux appareils radio exempts de licence. L'exploitation est autorisée aux deux conditions suivantes : (1) l'appareil ne doit pas produire de brouillage, et (2) l'utilisateur de l'appareil doit accepter tout brouillage radioélectrique subi, même si le brouillage est susceptible d'en compromettre le fonctionnement.

The end host device should bear the label which indicate "Contains FCC ID:ZVA05" or "Contains IC:9976A-05".