

Voyager
Observation Systems
EXPAND your vision

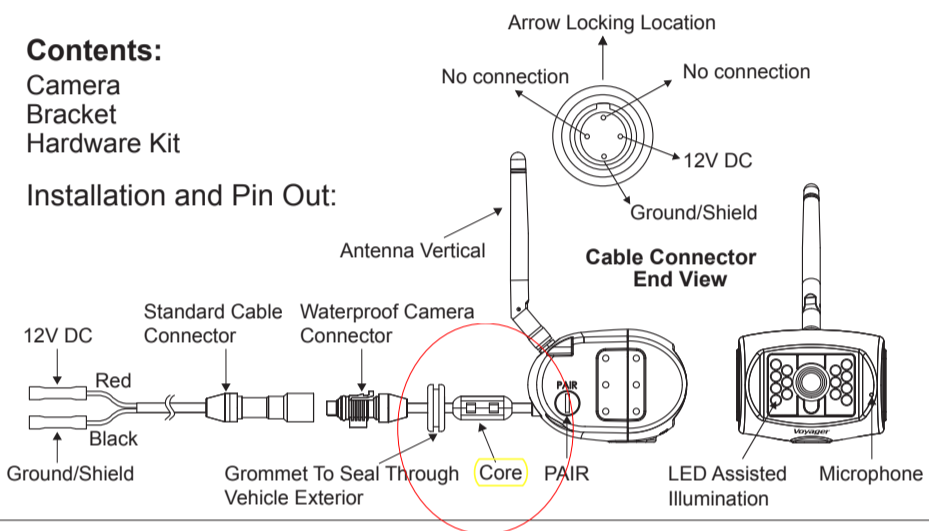
WVCMS10B - DIGITAL WIRELESS COLOR CMOS CAMERA

WVCMS10B Features:

- **WiSight™** Digital Wireless Technology
- High Performance CMOS Sensor
- IR LED low Light Enhancement
- Waterproof (IPX6)
- Wide View Angle
- Integrated Audio Microphone

Contents:
Camera
Bracket
Hardware Kit

Installation and Pin Out:



Specifications

Mounting Type	External type
Image sensor	1/3" CMOS camera
Resolution	320 TV lines
Min illumination	1.0 Lux at F2.0 0 Lux with IR on
Water resistance	IPX6
View angle	93°(H), 66°(V), 117°(D)
Dimension	92(W) X 76(H) X 83(D)mm 3.6(W) X 3.7(H) X 3.3(D)Inch
Working temperature	-20°C ~ +65°C
Weight	Approx. 0.79kg / 1.74lbs

Model: WVCMS10B
FCC ID : ZCPWVCMS10B201101
This device complies with Part 15 of the FCC Rules. Operation is subject to the following two conditions: (1) this device may not cause harmful interference, and (2) this device must accept any interference received, including interference that may cause undesired operation.
Notice:
The changes or modifications not expressly approved by the party responsible for compliance could void the user's authority to operate the equipment.
Important Note:
To comply with the FCC RF exposure compliance requirements, the antenna(s) used for this transmitter must be installed to provide a separation distance of at least 20 cm from all persons and must not be co-located or operating in conjunction with any other antenna or transmitter. No change to the antenna or the device is permitted. Any change to the antenna or the device could result in the device exceeding the RF exposure requirements and void user's authority to operate the device.

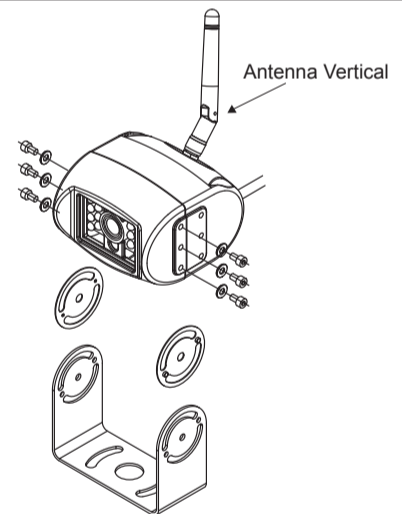
Camera to bracket hardware

Specifications	Q'ty	Specifications	Q'ty
Hex Socket Head M4 X 6L Stainless screws	6	Washer 37.5 X 5 X 0.5mm PP	2
Flat washer 4.5 X 9.5 X 1mm Stainless	6		
Tapping P/H w/washer 5 X 16mm Stainless	4		
Allen	1		

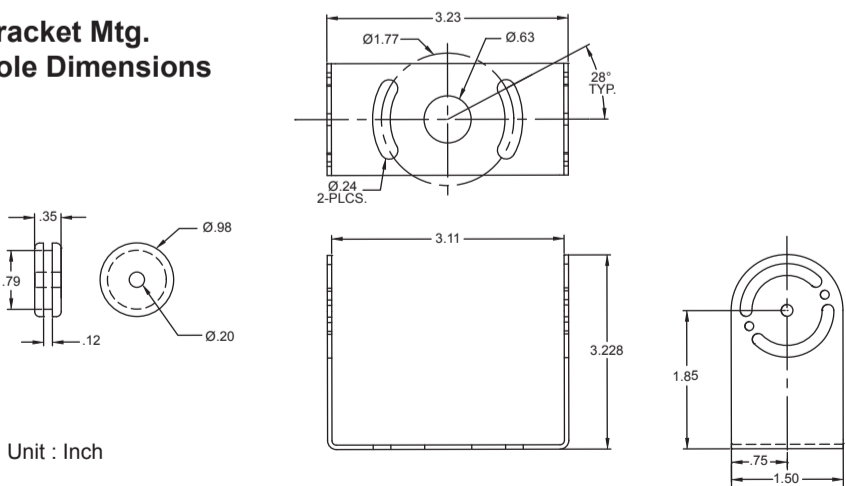
Installation

Screw For Use

Hex Socket Head M4 X 6L Stainless screws
Flat Washers 4.5x9.5x1mm Stainless
Allen wrench



Bracket Mtg. Hole Dimensions



Recommended grommet Hole

