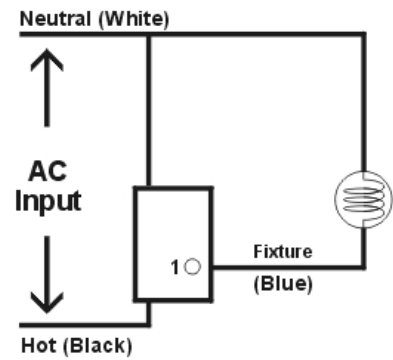


Name : 1 Circuit --- RF & Touch Control

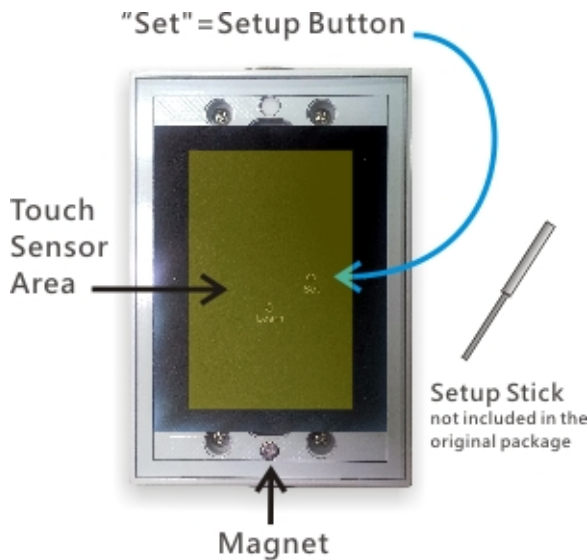
Model No. : LC-321S

Power & Loading: LC-321S (AC-110V, Max. Load 1,000W)



Button/Circuit(s) Settings

Setting / Control



1. PLS check **Annex A** to uninstall the panel.
2. Press & hold the Touch Sensor Area w/ your finger
3. **Take a stick to press the Setup Button (feel a "click"), when the red light on, let go your finger & setup stick.**
4. The red light on, means the switch is under the setting mode (window = 10 Sec.), if not, PLS repeat step (1) & (2).
5. Take a **remote** (ex. RC-07/RC-09), select **Zone (Zone 1,2 or 3)**, press **number** (position) then press **ON** to send the RF code to the switch.
6. When red led blinks then turns off, it means the setting is completed. PLS use the **remote** to control the switch **ON/OFF**, to confirm the setting.
7. PLS wait 30 sec. after installed the panel, till the sensor adapt the thickness of the panel, then you may touch the panel to switch ON/OFF the light.
8. **Control:** a.) **Touch sensor area to turn ON/OFF the light.**
b.) **Remote:** select **Zone (Zone 1,2 or 3)**, press **number** (position) then press **ON/OFF**.

Warning!

1. Be sure to determine the correct wiring of the power supply polarity, wrong wiring will result in damage to the product and may endanger
2. **Before setup, make sure the voltage loading of the circuit switch complies with local regulations. Improper usage of electric power and exceeding loading voltage will cause damage to the product.**
3. This product is a low-power RF wireless carrier communications transmission systems, in order to reduce environmental obstacles lead to remote insensitive, please try not to use the larger than the average residential space (details contact Dealer)
4. **If for unavoidable necessary, must do installation under electrified condition, PLS connect LINE (Black) & NEUTRAL (White), each to their corresponding wire first, turn off the switch, then connect the FIXTURE (Blue), & done!**

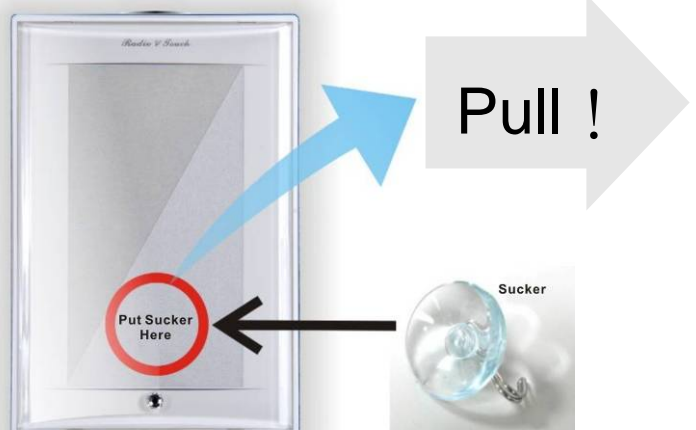
Annex A : Panel Install / uninstall

[Uninstall]

Put the sucker on the marked spot, press to squeeze out air & make sure the sucker is fixed, then pull out of the panel.

[Install]

There are 2 latches on the top of the panel, & a crystal in the bottom. there is 2 slot for those 2 latches & a magnet for crystal. PLS make sure the direction correctly. Slide latches into slots first then press the crystal side into the magnet side till the panel sink completely.



FCC WARNING

This device complies with Part 15 of the FCC Rules. Operation is subject to the following two conditions:

- (1) This device may not cause harmful interference, and
- (2) this device must accept any interference received, including interference that may cause undesired operation.

NOTE 1: Any changes or modifications to this unit not expressly approved by the party responsible for compliance could void the user's authority to operate the equipment.