

# **User Manual**

## **Bluetooth Speaker 14021BT**



## **Getting Started**

- Remove the device from the box.
- Remove any packaging from the product.
- Please retain all packaging until you have checked and counted all the parts and the contents against the parts list.

## **Package Contents**

- Bluetooth Capsule XL Speaker
- USB rechargeable cable
- 3.5mm AUX cable
- Instruction Manual

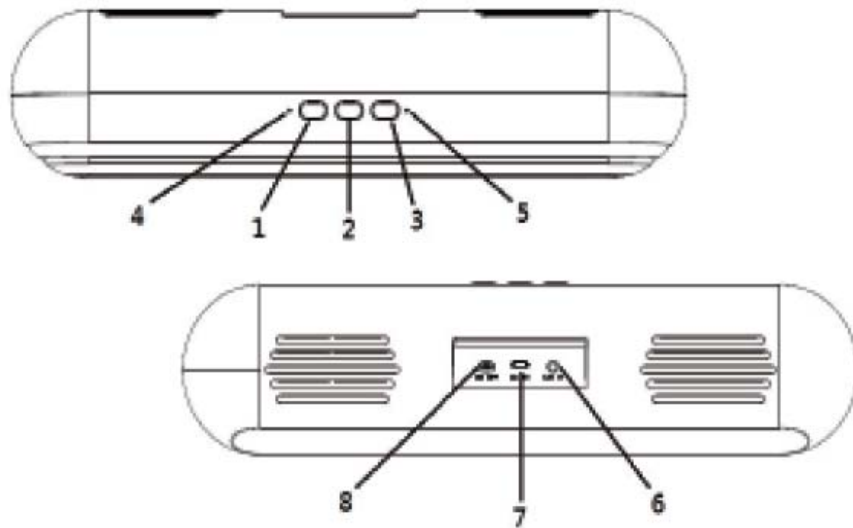
## **Key Features**

- Bluetooth® 3.0
- Use as Hands-Free speaker phone device, with a built-in microphone
- Compatible with all Bluetooth enabled devices such as Smart Phones, Tablets, etc
- 3.5mm AUX wired Connection for MP3/MP4 Players, iPods, computers, netbooks, laptops, etc
- Wireless Range – 26 to 33 Feet

## **SAFETY INSTRUCTIONS**

- Keep the unit away from heat sources, direct sunlight, humidity, water and any other liquids.
- Do not operate the unit if it has been exposed to water, moisture or any other liquids to prevent against electric shock, explosion and/or injury to yourself and damage to the unit.
- Do not use the unit if it has been dropped or damaged in any way.
- Repairs to electrical equipment should only be performed by a qualified electrician. Improper repairs may place the user at serious risk.
- Do not use the unit with wet hands.
- Do not put objects into any of the openings.
- Keep the unit free from dust, lint etc.
- Do not use this unit for anything other than its intended use.
- Keep the unit out of reach of children.
- This appliance is not a toy.
- Do not use the handset at excessive levels as damage to hearing may occur.
- Batteries (battery pack or batteries installed) shall not be exposed to excessive heat place, such as sunshine, fire or the like.

## Description of Parts



Buttons	Function	Operation
1	Multi-Function Button (MFB)	Call Answer / Call End / Redial Button
2	Skip Backward / Decrease Volume	Press and hold to decrease volume or Short press to skip backward one track
3	Skip Forward / Increase Volume	Press and hold to increase volume or Short press to skip forward one track
4	Mic	Built-In Microphone for Hands-Free Conversation
5	LED Light	LED Light Indicator
6	AUX-Input	Aux-In Jack – Plays music through AUX
7	DC Charging Port	DC Charging Input – Used for charging the speaker
8	Power ON/OFF	To Turn On/Off the speaker

## INSTRUCTIONS FOR USE

### Turning ON/OFF the Speaker –

Before Turning ON the device, please ensure that the unit is fully charged.

To Turn ON the device – Slide the On/Off button to "ON" position.

To Turn OFF the device – Slide the On/Off Button to "OFF" position.

### Connect using Bluetooth Technology manually

Turn On the device. You would hear a beep tone indicating that you are now in Bluetooth Pairing Mode and Blue LED Light keeps flashing.

Activate the Bluetooth function on your Bluetooth Device (Mobile Phone or Tablet). Please refer to manufacturer's instructions for instructions on enabling Bluetooth on your device.

Once you have activated Bluetooth on your device, select the device "SL CAPSULE XL" from the list of available Bluetooth devices.

If required, enter the password '0000' to confirm to finalize pairing. (Password is required only during pairing devices for the first time)

Once paired successfully, the LED light flashes slowly.

Choose music from your Bluetooth® device and play music wireless through the speakers.

### Talking using the Bluetooth Speaker

Please ensure that you are paired with the Bluetooth Speaker to use the below functions.

Function	Operation	Button
Answer Incoming Call	Incoming Call	Press the <b>MFB</b> once to answer an incoming call.
Reject Incoming Call	Incoming Call	Press and hold the <b>MFB</b> button for 3 seconds.
End Call	Incoming Call	After your phone conversation, short press the <b>MFB</b> button.
Increase Volume	During a call	Press and hold the volume increase button will increase the volume.
Decrease Volume	During a call	Press and hold the volume decrease button will decrease the volume.
Redial last number	Standby mode and connected to a device	Short press the <b>MFB</b> button twice.

### Listening to Music Wirelessly

Please ensure that your device (iPhone, Tablet or Other Smart Phone) is paired with the Bluetooth Speaker to stream music wirelessly. Once it is paired, play music from your device.

Function	Operation	Button
Increase Volume	Playing music	Press and hold the + button will increase the volume
Decrease Volume	Playing music	Press and hold the - button will decrease the volume
Pause	Playing music	A short press on the <b>MFB</b> button will pause the music
Play	Pausing	A short press on the <b>MFB</b> button will resume the music
Skip Forward	While playing music	Short press the Skip forward or Volume increase button and it would skip one track forward
Skip Backward	While playing music	Short press the Skip backward or Volume decrease button and it would skip one track backward

(Note:

- The above functions only can be used in Bluetooth mode only. In Aux mode, you may need to control through your source device.
- An indication tone will alert you when the volume is adjusted to the maximum level.)

### **Play music using “Aux-In” Jack**

1. Turn ON the device.
2. Insert the 3.5 mm Aux in cable (provided) to the Line-in jack of the speaker. And, the other end of the cable connects to the audio device (such as computer / tablet / .....etc.).
3. The Blue LED will light up without flashing.
4. Select your favourite song at the source device

(Note: When you insert 3.5 mm Aux in cable into the Line-in jack of the speaker, the Bluetooth of the speaker will Turn Off at once.)

### **Charging the speaker**

The device has built-in rechargeable battery. When the battery is drained out, device would turn OFF automatically. You would have to recharge the battery.

Plug the Micro USB end of the included USB cable into the charging port. Plug the other end into a USB port on your computer or other devices made for USB charging. The Red LED Light illuminates indicating that the device is being charged.

It takes up to 4 hours to fully charge the device. Once the device is fully charged, LED Light would turn OFF.

### **Care and maintenance**

Read the following recommendations before using the Bluetooth Capsule XL Speaker. Following these you will be able to enjoy the product for many years.

- Do not expose the unit to liquid, moisture or humidity to avoid the product’s internal circuit being affected.
- Don’t use abrasive cleaning solvents to clean the unit.
- Do not expose the unit to extremely high or low temperature as this will shorten the life of electronic devices, destroy the battery or distort certain plastic parts.
- Don’t dispose of the unit in fire as it will result in an explosion.
- Don’t expose the unit to contact with sharp objects as this will cause scratches and damage.
- Don’t let the unit fall down onto the floor. The internal circuit might get damaged.
- Don’t attempt to disassemble the unit as it may get damaged if you are not professional.

In case the unit does not function properly, please contact the number shown on the Warranty Page for help.

## **Federal Communications Commission (FCC) Statement**

This device complies with part 15 of the FCC Rules. Operation is subject to the following two conditions: (1) This device may not cause harmful interference, and (2) this device must accept any interference received, including interference that may cause undesired operation.

Note: This equipment has been tested and found to comply with the limits for a Class B digital device, pursuant to part 15 of the FCC Rules. These limits are designed to provide reasonable protection against harmful interference in a residential installation. This equipment generates, uses and can radiate radio frequency energy and, if not installed and used in accordance with the instructions, may cause harmful interference to radio communications. However, there is no guarantee that interference will not occur in a particular installation. If this equipment does cause harmful interference to radio or television reception, which can be determined by turning the equipment off and on, the user is encouraged to try to correct the interference by one or more of the following measures:

- Reorient or relocate the receiving antenna.
- Increase the separation between the equipment and receiver.
- Connect the equipment into an outlet on a circuit different from that to which the receiver is connected.
- Consult the dealer or an experienced radio/TV technician for help.

**Warning:** Changes or modifications made to this device not expressly approved by **SHENZHEN TEKSUN TECHNOLOGY CO.,LTD** may void the FCC authorization to operate this device.

**Note:** The manufacturer is not responsible for any radio or tv interference caused by unauthorized modifications to this equipment. Such modifications could void the user's authority to operate the equipment.

## Limited Warranty

---

This manufacturer's product warranty extends to the original consumer purchaser of the product. Neither the retailer nor any other company involved in the sale or promotion of this product is a co-warrantor of this manufacturer warranty.

**WARRANTY DURATION:** All materials and workmanship are warranted to the original consumer purchaser for a period of ninety (90) days from the original purchase date.

**WARRANTY COVERAGE:** This product is warranted against defective materials or workmanship. This warranty is void if the product has been damaged by accident, in shipment, unreasonable use, misuse, neglect, improper service, commercial use, repairs by unauthorized personnel or other causes not arising out of defects in materials or workmanship. This warranty doesn't cover the following which may be supplied with this product, including but not limited to; LCD Screens, glass parts, lenses, bulbs etc. This warranty is effective only if the product is purchased and operated in USA and Canada, and does not extend to any units which have been used in violation of written instructions furnished by manufacturer or to units which have been altered or modified or, to damaged products or parts thereof which have had the serial number removed, altered, defaced or rendered illegible.

**WARRANTY DISCLAIMERS:** This warranty is in lieu of all warranties expressed or implied and no representative or person is authorized to assume for manufacturer any other liability in connection with the sale of our products. There shall be no claims for defects or failure under any theory of tort, contractor commercial law including but not limited to, negligence, gross negligence, strict liability, breach of warranty and breach of contract. Under no circumstances will Manufacturer's / Distributor's maximum liability exceed the retail value of the product.

**WARRANTY PERFORMANCE:** During the above 90 day warranty period, a product with a defect will be either repaired or replaced with a reconditioned comparable model (at manufacturer's option). The repaired or replacement product will be in warranty for the balance of the 90 day warranty period and an additional one-month period. No charge will be applicable for such repair or replacement.

**SERVICE AND REPAIR:** If service is required for this product, you should first contact Midwest Trading Group Customer Service at [info@mtradinggroup.com](mailto:info@mtradinggroup.com) or by calling 1 (866) 815-4714, Monday to Friday 10am to 6pm EST.

**NOTE:** Manufacturer cannot assume responsibility for loss or damage during incoming shipment. As a precautionary measure, carefully package the product for shipment, and insure it with the carrier. Be sure to enclose the following details with the product: your full name, return address and daytime phone number, a note describing the problem you experienced, a copy of your sales receipt or other proof of purchase to determine warranty status. C.O.D. shipments cannot be accepted.