

SOUNDLOGIC™ | XT

**56902BT
Bluetooth Speaker**



INSTRUCTION MANUAL

**PLEASE READ ALL INSTRUCTIONS CAREFULLY
AND RETAIN FOR FUTURE USE**

Getting started

- Remove the speaker from the packaging.
- Please retain all packaging until you have checked and counted all the parts and the contents against the parts list.

Package Contents

- Slimmest Selfie Speaker with carabineer
- USB Charging Cable
- Instruction Manual

Features

- Connects via Bluetooth wireless to most smart phones, tablets, computers and more
- Stream wireless music via Bluetooth
- Built-in microphone to answer phone calls through speaker
- Built-in selfie clicker to take perfect selfies
- Every time the speaker is turned on, it connects to last connected device automatically
- Bonus carabineer to play your favorite music almost anywhere

Safety Instructions

Keep the unit away from heat sources, direct sunlight, humidity, water and any other liquids.

Do not operate the unit if it has been exposed to water, moisture or any other liquids to prevent against electric shock, explosion and/or injury to yourself and damage to the unit.

Do not use the unit if it has been dropped or damaged in any way.

Repairs to electrical equipment should only be performed by a qualified electrician. Improper repairs may place the user at serious risk.

Do not use the unit with wet hands.

Do not put objects into any of the openings.

Keep the unit free from dust, lint etc.

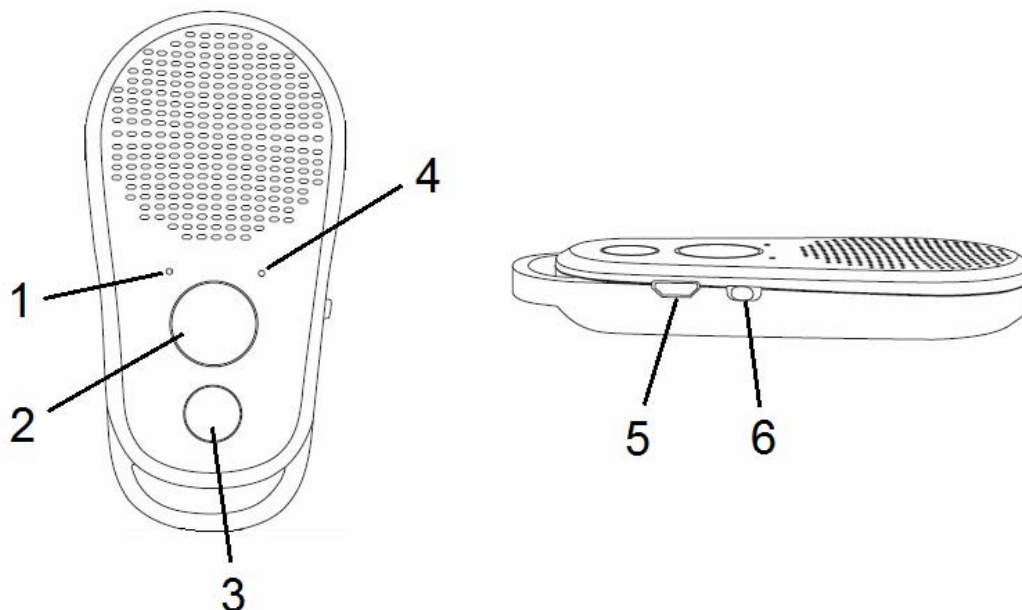
Do not use this unit for anything other than its intended use.

Keep the unit out of reach of children.

This product is not a toy.

Batteries (battery pack or batteries installed) shall not be exposed to excessive heat place, such as sunshine, fire or the like.

Description of Parts



1	Microphone
2	Selfie Clicker button
3	Play / Pause / Call Answer button
4	LED Indicator
5	USB Charging Port
6	ON/OFF Switch

INSTRUCTIONS FOR USE

Charging Instructions

The speaker comes with a built in rechargeable battery. When the battery is drained out, device turns OFF automatically. Please recharge the battery every time it drains out.

Connect the USB cable (included) to a computer USB port and the other end to the charging port of the speaker. The Red LED illuminates while the speaker is being charged. It takes around 2 hours for the speaker to fully charge. When the battery is fully charged, the red LED will turn off.

Turning on/off the speaker

There is an on/off switch on the right side of the speaker. You can turn on/off the speaker with this switch. In order to save power, put the switch to off position when the speaker is not in use.

Pairing the speaker with Bluetooth devices (phone or music device)

- Switch on the speaker, you would hear a start-up tone, and Blue operation LED light would flash rapidly, indicating that you are now in Bluetooth Pairing Mode.
- Place the speaker and Bluetooth device (phone or music device) so that they are no further than 3 feet apart.
- Activate the Bluetooth function on your Bluetooth device (phone or music device). Please refer to the manufacturer's instructions for instructions on enabling Bluetooth on your device.
- Once you have activated Bluetooth on your device, select the speaker "**SL SELFIE SPKR**" from the list of available Bluetooth devices. If required, enter the password '0000' to confirm & finalize pairing.
- Once paired successfully, the blue LED will stay on (and will stop flashing) indicating pairing has been successful. You can now start to use the speaker.

Additional Information

- If pairing is unsuccessful, turn off the speaker first and then re-pair following the above steps.
- Once you have paired the speaker with a device, the speaker will remember this device and will pair automatically when the device's Bluetooth is activated and in range. You do not need to re-pair any previously connected devices.
- The speaker will attempt to automatically connect to the last device it was paired with when switched on. If you want to pair it with a new device, please follow the steps outlined above.
- Once the speaker is paired with your device the music will transmit directly to the speaker. Please refer to your device's user manual for further information.

Function Summary

Listening to Music

Once the speaker is paired with your device you can stream wireless music through the speaker. Select the track you wish to listen to and it will be streamed to your Bluetooth speaker. Should you encounter any problems while streaming please refer your device's user manual for further information.

Function	Operation	Button
Pause	Playing music	short press the Play / Pause button will pause the music
Play	Pausing	short press the Play / Pause button will resume the music

(Note: The above functions can only be used in Bluetooth mode. Volume, Skip forward / Skip backward functions can be controlled from your source device.)

Making a call with the speaker

Basic operation

Function	Operation	Button
Answer a Call	Incoming Call	Short press the Call Answer button to answer an incoming call
Reject a call	Incoming Call	Press and hold the Call Answer button for 2 seconds
End a call	Incoming Call	After your phone conversation, short press the Call Answer button .

(Note: The above functions can only be used when speaker is paired with your phone via Bluetooth)

Please Note

- Not all mobile phones support all the functions listed above. Please refer to your cell phone's user's manual for further information.
- Certain functions and indication tones maybe vary depending on your mobile phone.

Using the Wireless Selfie Clicker (iOS Users)

1. Please ensure that your device (iPhone, iPad etc) is paired with the Bluetooth Speaker. Press and hold the Shutter Remote button for around 3 seconds, and wait for a further few seconds for it switch from Speaker mode to Wireless Selfie Clicker mode. Blue light will flash while device is switching from Speaker to Selfie Clicker mode. Once the device is on Selfie Clicker mode blue light will turn solid and stop flashing.
2. Turn on camera on your iPhone / iPad and then press the Selfie Clicker button to take photos.
3. Press and hold the Selfie Clicker button for around 3 seconds, to switch it back to Speaker mode.
4. Short press the Play / Pause button to resume music.

Using the Wireless Selfie Clicker (Android Users)

Android Version 4.2 & Above

1. Please ensure that your device (Tablet, Smart Phone etc) is paired with the Bluetooth Speaker. Click on the settings icon next to the Speaker Name under Bluetooth section, and ensure you've check marked "Call Audio", "Media Audio" & "Input Audio", to ensure all functions of the Bluetooth speaker are operational.
2. Press and hold the Shutter Remote button for around 3 seconds, and wait for a further few seconds for it switch from Speaker mode to Wireless Selfie Clicker mode. Blue light will flash while device is switching from Speaker to Selfie Clicker mode. Once the device is on Selfie Clicker mode blue light will turn solid and stop flashing.
3. Turn on camera on your mobile phone / tablet and go to camera settings, and click on the "Volume Key" and select "The Camera Key" option.
4. Press the Selfie Clicker button on the speaker to take photos.

5. Press and hold the Selfie Clicker button for around 3 seconds, to switch it back to Speaker mode.

Note: While, you DO NOT need any external APP to take photos through your Phone's built-in Camera using the Selfie Clicker, you can download and install the "Camera360" APP (from Google Play) if the built-in camera doesn't support the Selfie Clicker.

Android Version Prior to 4.2

1. Please ensure that your device (Tablet, Smart Phone etc) is paired with the Bluetooth Speaker. Click on the settings icon next to the Speaker Name under Bluetooth section, and ensure you've check marked "Call Audio", "Media Audio" & "Input Audio", to ensure all functions of the Bluetooth speaker are operational.
2. Press and hold the Shutter Remote button for around 3 seconds, and wait for a further few seconds for it switch from Speaker mode to Wireless Selfie Clicker mode. Blue light will flash while device is switching from Speaker to Selfie Clicker mode. Once the device is on Selfie Clicker mode blue light will turn solid and stop flashing.
3. Download camera360 APP and allow the app to access the camera function. Open the camera360, go to Settings – "Advance Settings" – "More" – "Volume Key Function"
4. Select "Adjust Volume".
5. Turn on the Camera on Camera 360 App; Press the Selfie Clicker button on the speaker to take photos.
6. Press and hold the Selfie Clicker button for around 3 seconds, to switch it back to Speaker mode.

Specifications

Bluetooth specification	Bluetooth V2.1+EDR
Operating distance	33 Feet, Class II
Speaker	2W (Audio output)
Working time	Music: Up to 2 hours Talk: Up to 2 hours
Charging input voltage	DC 5V
Charging time	About 2 hours
Dimensions	1.75" x 3.75" x 0.63"
Weight	1.1oz

Note: Battery life & charging time may vary based on usage & types of devices used.

Care and Maintenance

Read the following recommendations before using the speaker. Following these you will be able to enjoy the product for many years.

- Do not expose the speaker to liquid, moisture or humidity to avoid the product's internal circuit being affected.
- Don't use abrasive cleaning solvents to clean the speaker.
- Do not expose the speaker to extremely high or low temperature as this will shorten the life

of electronic devices, destroy the battery or distort certain plastic parts.

- Don't dispose of the speaker in a fire as it will result in an explosion.
- Don't expose the speaker to contact with sharp objects as this will cause scratches and damage.
- Don't let the speaker fall on the floor. The internal circuit might get damaged.
- Don't attempt to disassemble the speaker as it may get damaged if you are not professional.

In case the unit does not function properly, please contact the number shown on the Warranty Page for help.

Federal Communications Commission (FCC) Statement

This device complies with part 15 of the FCC Rules. Operation is subject to the following two conditions: (1) This device may not cause harmful interference, and (2) this device must accept any interference received, including interference that may cause undesired operation.

NOTE: This product has been tested and found to comply with the limits for a Class B digital device, pursuant to Part 15 of the FCC Rules. These limits are designed to provide reasonable protection against harmful interference in a residential installation. This product generates, uses and can radiate radio frequency energy and, if not installed and used in accordance with the instructions, may cause harmful interference to radio communications. However, there is no guarantee that interference will not occur in a particular installation. If the product does cause harmful interference to radio or television reception, which can be determined by turning the equipment off and on, the user is encouraged to try to correct the interference by one or more of the following measures :

- Reorient or relocate the receiving antenna.
- Increase the separation between the product and receiver.
- Connect the product into an outlet on a circuit different from that to which the receiver is connected.
- Consult the dealer or an experienced radio/TV technician for help.

Warning: Changes or modifications made to this device not expressly approved by **SHENZHEN TEKSUN TECHNOLOGY CO.,LTD** may void the FCC authorization to operate this device.

Note: The manufacturer is not responsible for any radio or tv interference caused by unauthorized modifications to this equipment. Such modifications could void the user's authority to operate the equipment.

Limited Warranty

This manufacturer's product warranty extends to the original consumer purchaser of the product. Neither the retailer nor any other company involved in the sale or promotion of this product is a co-warrantor of this manufacturer warranty.

WARRANTY DURATION: All materials and workmanship are warranted to the original consumer purchaser for a period of ninety (90) days from the original purchase date.

WARRANTY COVERAGE: This product is warranted against defective materials or workmanship. This warranty is void if the product has been damaged by accident, in shipment, unreasonable use, misuse, neglect, improper service, commercial use, repairs by unauthorized personnel or other causes not arising out of defects in materials or workmanship. This warranty doesn't cover the following which may be supplied with this product, including but not limited to; LCD Screens, glass parts, lenses, bulbs etc. This warranty is effective only if the product is purchased and operated in USA and Canada, and does not extend to any units which have been used in violation of written instructions furnished by manufacturer or to units which have been altered or modified or, to damaged products or parts thereof which have had the serial number removed, altered, defaced or rendered illegible.

WARRANTY DISCLAIMERS: This warranty is in lieu of all warranties expressed or implied and no representative or person is authorized to assume for manufacturer any other liability in connection with the sale of our products. There shall be no claims for defects or failure under any theory of tort, contractor commercial law including but not limited to, negligence, gross negligence, strict liability, breach of warranty and breach of contract. Under no circumstances will Manufacturer's / Distributor's maximum liability exceed the retail value of the product.

WARRANTY PERFORMANCE: During the above 90 day warranty period, a product with a defect will be either repaired or replaced with a reconditioned comparable model (at manufacturer's option). The repaired or replacement product will be in warranty for the balance of the 90 day warranty period and an additional one-month period. No charge will be applicable for such repair or replacement.

SERVICE AND REPAIR: If service is required for this product, you should first contact Midwest Trading Group Customer Service at info@mtradinggroup.com or by calling 1 (866) 815-4714, Monday to Friday 10am to 6pm EST.

NOTE: Manufacturer cannot assume responsibility for loss or damage during incoming shipment. As a precautionary measure, carefully package the product for shipment, and insure it with the carrier. Be sure to enclose the following details with the product: your full name, return address and daytime phone number, a note describing the problem you experienced, a copy of your sales receipt or other proof of purchase to determine warranty status. C.O.D. shipments cannot be accepted.