

TEKTELIC COMMUNICATIONS INC.

Document type: **User Guide**

Document number: **T0004279_UG**

Document version: **2.8**

Document Status: **Approved**

Product name: **Kona Macro Gateway**

Product codes: **T0004142, T0004470, T0004250, T0004251,
T0004252, T0004537**

TEKTELIC Communications Inc.
7657 10th Street NE
Calgary, AB, Canada T2E 8X2
Phone: (403) 338-6900

© 2016 TEKTELIC Communications Inc., All rights reserved.

All products, names and services are trademarks and registered trademarks of their respective companies.

Disclaimer:

Material contained in this document is subject to change without notice. The material herein is solely for information purposes and does not represent a commitment by TEKTELIC or its representatives. TEKTELIC has prepared the information contained in this document solely for use by its employees, agents, and customers. Dissemination of this information and/or concepts to other parties is prohibited without the prior written consent of TEKTELIC. In no event will TEKTELIC be liable for any incidental or consequential damage in connection with the furnishing, performance or use of this material.

TEKTELIC reserves the right to revise this publication in accordance with formal change control procedures defined by TEKTELIC.

Revision History

Version	Date	Status	Editor	Comments
1.0	Oct 5, 2016	Draft	T. Danshin	First release
2.0	Nov 1, 2016	Draft	P. Chu	Updated for 1TX-1RX Module Type, v2.1 Semtech SW
2.1	Nov 8, 2016	Draft	P.Chu	Updated environmental and DC voltage specs
2.2	Dec 9, 2012	Draft	P. Chu	Updated Commissioning Section to use GUI for Gateway operation
2.3	Jan. 23, 2017	Draft	S. Morrison	Renamed to User Guide, numerous updates
2.4	Feb. 09, 2017	Obsolete	S. Morrison	Updates to connector & mounting information
2.5	Mar. 07, 2017	Obsolete	S. Morrison	Changed ground lug to imperial
2.6	Mar. 08, 2017	Obsolete	S. Morrison	Added 10A maximum DC input rating
2.7	Mar. 08, 2017	Approved	S. Morrison	Added language translation & LoRa antenna type
2.8	Mar. 24, 2017	Approved	T. Danshin	Added MPE information

Table of Contents

1	Product Description	5
1.1	Overview	5
1.2	Connectors	7
1.3	Specifications.....	10
2	Installation	11
2.1	Safety Precautions.....	11
2.2	Unpacking and Inspection	12
2.3	Required Equipment for Installation.....	12
2.4	Kona Macro Gateway Mounting	12
2.5	Ground Cable Installation	14
2.6	Direct DC Power Cable Installation	15
2.7	RF Cable Installation.....	16
2.8	Copper Ethernet Cable Installation	16
3	Commissioning and Monitoring	17
3.1	Required Equipment	17
3.2	Procedure	17
4	Radio Compliance Statements	18
5	Description du produit.....	20
5.1	Vue d'ensemble.....	20
5.2	Connecteurs	22
5.3	Caractéristiques.....	25
6	Installation	26
6.1	Précautions de sécurité.....	26
6.2	Déballage et inspection.....	27
6.3	Matériel requis pour l'installation.....	27
6.4	Montage Kona Macro Gateway	28
6.5	Installation du câble de masse	29
6.6	Installation du câble d'alimentation CC direct.....	30

6.7	Installation du câble RF	31
6.8	Installation du câble Ethernet en cuivre	31
7	Mise en service et surveillance.....	33
7.1	Équipement requis	33
7.2	Procédure	33
8	Déclarations de conformité à la radio	34

1 Product Description

1.1 Overview

The Kona Macro Gateway is a LoRaWAN IoT gateway that supports the full range of US902-928 channels. The Kona platform is designed to support a multitude of deployment configurations in an outdoor environment. The hardware architecture supports one or two LoRa antennas, a GPS antenna, direct DC input power or Power over Ethernet (PoE), and backhaul options including copper Ethernet, optical Ethernet, and 3G/4G wireless. Table 1 presents the currently available Kona Macro Gateway models.

Table 1: Kona Macro Gateway Models

Model	Product Code	Description	GPS Ant.	Direct DC Power	Optical	Copper Eth.	3G/4G Ant.	LoRa Ant.
1	T0004142	KONA MACRO	1	0	0	1	0	1
2	T0004470	KONA MACRO, DC POWER, 3G/4G	1	1	0	1	1	1
3	T0004250	KONA MACRO, DC POWER, 2X LORA, 3G/4G	1	1	0	1	1	2
4	T0004251	KONA MACRO, OPTICAL & DC POWER	1	1	1	1	0	1
5	T0004252	KONA MACRO, OPTICAL & DC POWER, 2X LORA	1	1	1	1	0	2
6	T0004537	KONA MACRO, DC POWER, 2X LORA	1	1	0	1	0	2

Figure 1 illustrates the common Gateway external form-factor; the differences between the various models are limited to the connector bulkhead layout. Figure 2 illustrates the bulkhead layouts for the Kona Gateway models.

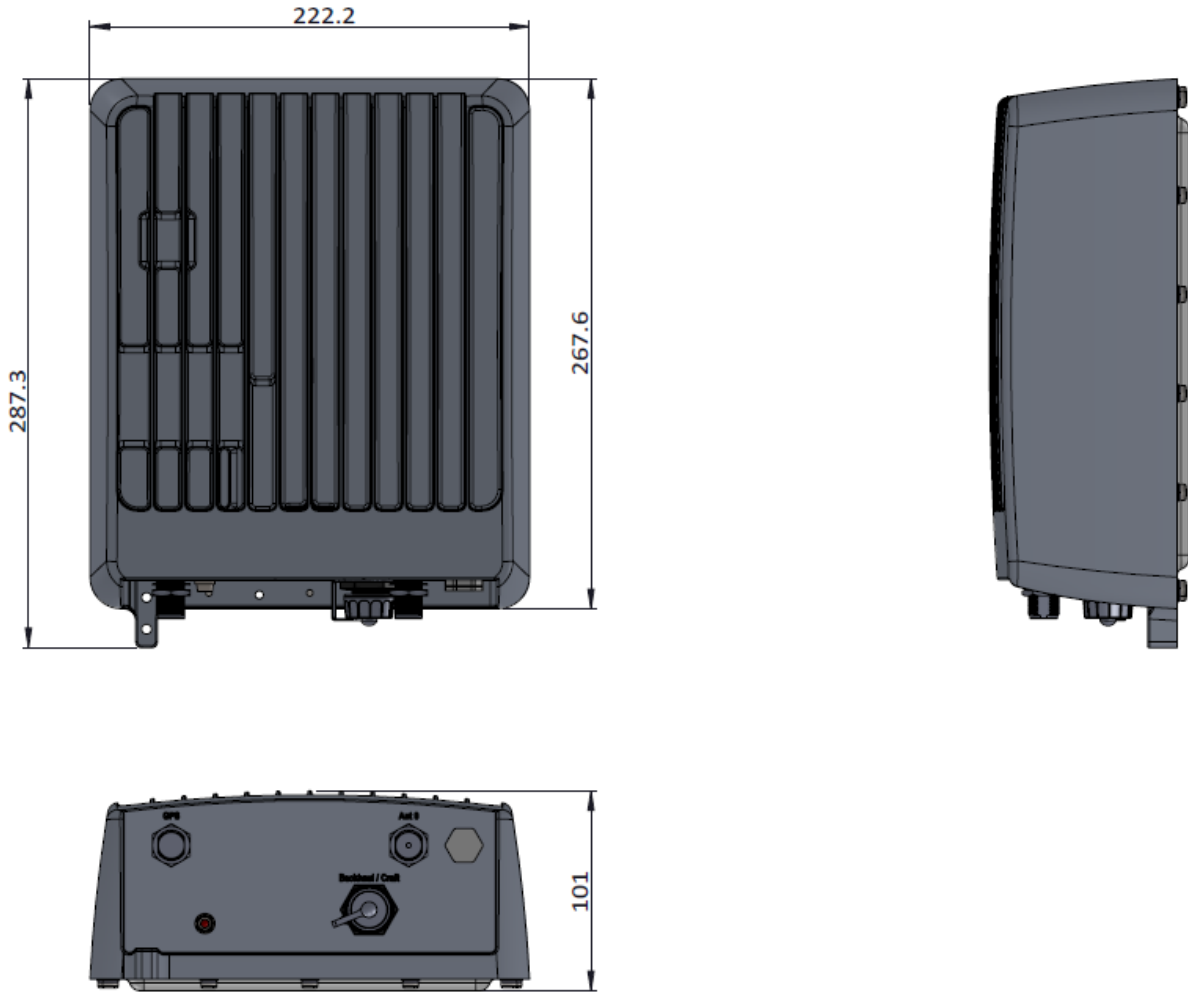
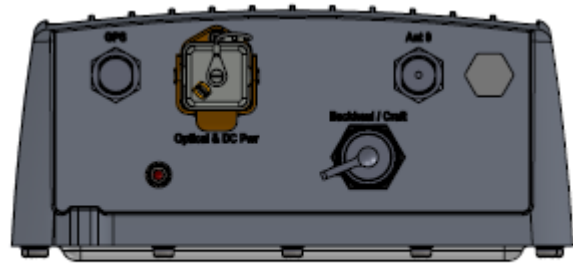


Figure 1: Kona Macro Gateway Common Dimensions



T0004142



T0004251



T0004470



T0004252



T0004250



T0004537

Figure 2: Kona Macro Gateway Bulkhead Layouts

1.2 Connectors

The Kona Gateway connector field is detailed in Figure 3 for the T0004250 model. Not all connectors are present on other models. The DC power connector is replaced by a hybrid DC power/Fiber connector on models which support fiber backhaul capability as with the T0004252 model detailed in Figure 4.

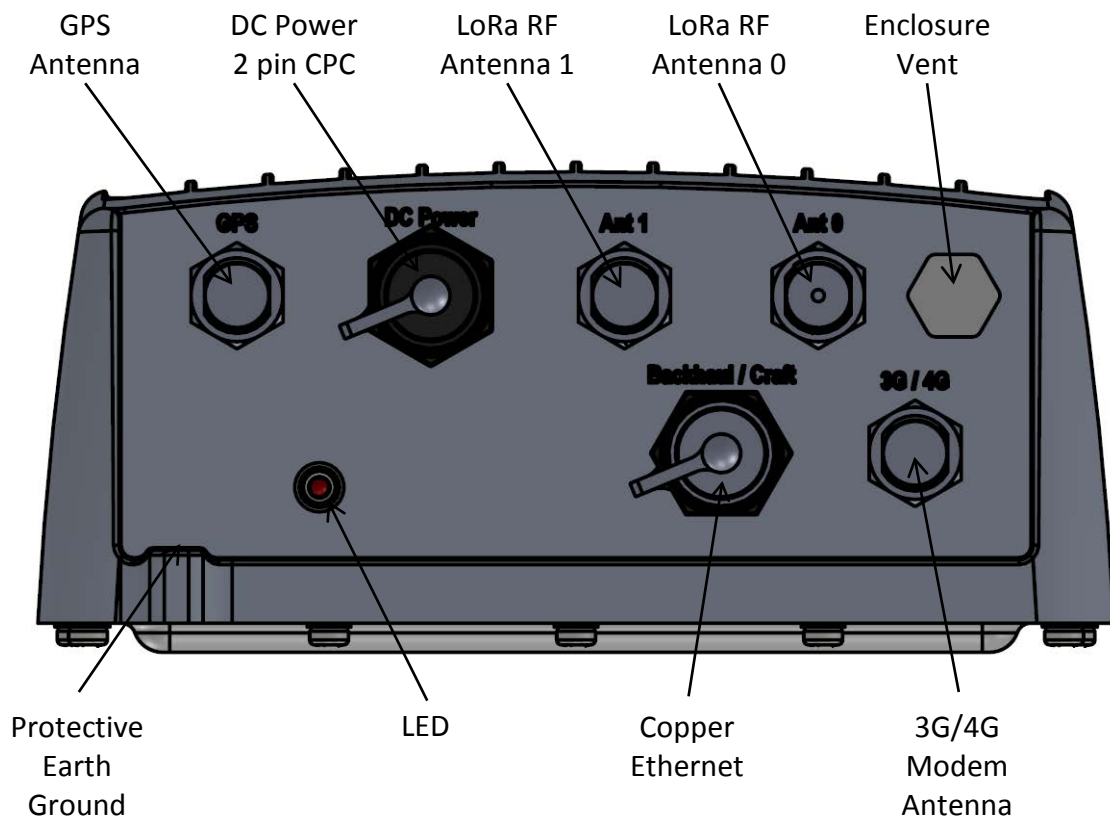


Figure 3: Kona Macro Gateway T0004250 Connector Field

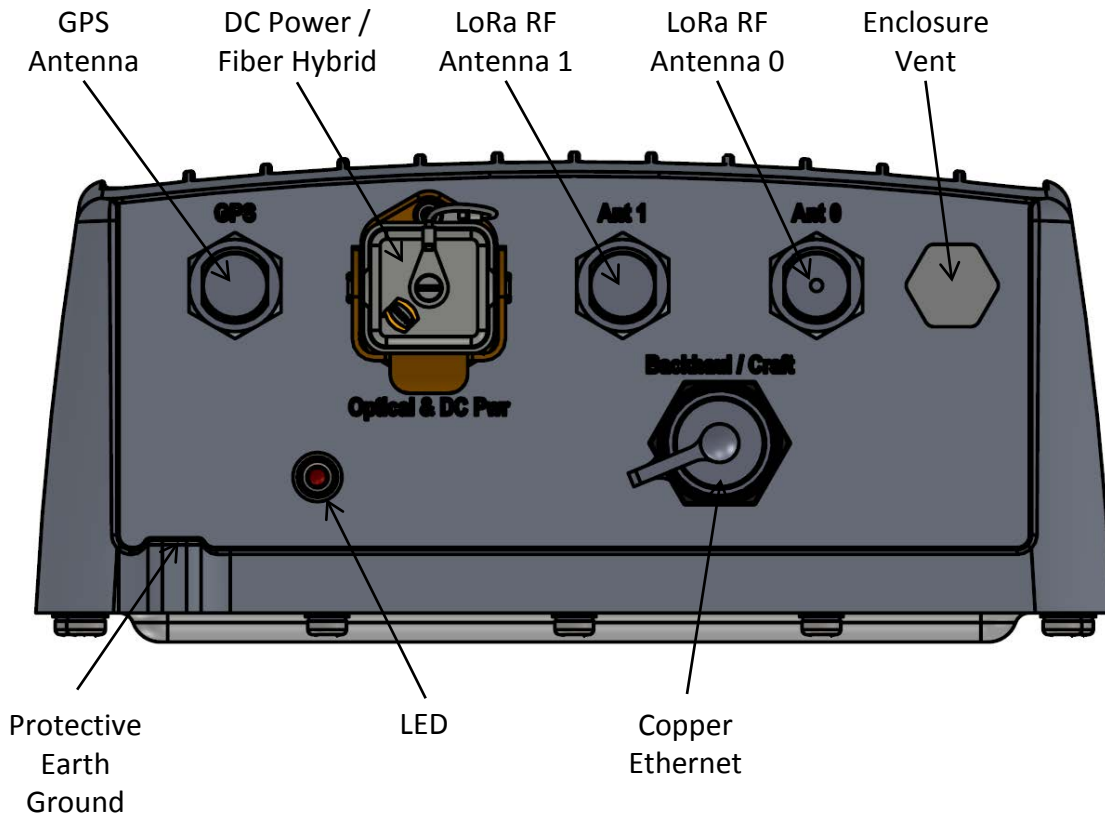


Figure 4: Kona Macro Gateway T0004252 Connector Field

All Kona Gateway module interconnect is located on the bottom facing bulkhead. The RF connectors are water proof while un-mated but all other connectors must be terminated with mating connectors or covered with the supplied protective cap when not in use in order to be water tight. Connector types and their mating connectors are listed in Table 2.

Table 2: Kona Macro Gateway Interface Connector Types

Interface	QTY	Connector Type	Mating Connector
LoRa Antenna Ports	1 or 2	N-Type female	Industry standard N-Type male
3G/4G Modem Backhaul Antenna Port	0 or 1	N-Type female	Industry standard N-Type male
Copper Ethernet Port	1	Threaded, circular, RJ-45	Shenzhen Chogori Technology Co., Ltd. approved mating connector (p/n 33000111-02 or equivalent)
Direct DC Power Input	0 or 1	Threaded, circular, 2	Shenzhen Chogori Technology Co., Ltd.

Port		contact DC power	approved mating connector (p/n 23002211-02, or equivalent)
Hybrid Direct DC Power/Fiber Ethernet Port	0 or 1	Harting Hybrid DC Power / Optical connector	Harting Technology Group approved mating connector
GPS Port	1	N-Type female	Industry standard N-Type male
Earth Ground	1	Chassis Protective Earth Ground terminal	Industry standard 2-hole lug, 1/4 x 0.75" spacing

1.3 Specifications

The Kona Macro Gateway specifications are listed in Table 3.

Table 3: Kona Macro Gateway Specifications

Attribute	Specification
Dimensions	222.2mm (8.7") wide x 101mm (4.0") deep x 287.3mm (11.3") tall
Weight	5.1 kg (11.3 lbs)
Operating Temperature	-40°C to 60°C (-40°F to 140°F) at sea level Including solar loading.
Relative Humidity	10% to 100%
Operating Altitude	-60 m to 4,000 m (-197 ft to 13,123 ft)
Power Input, Direct DC	48 VDC nominal, 37 to 57 VDC operating range after 42 V maximum start-up threshold. Positive or negative ground referenced feed. SELV source required. Maximum 10A input overcurrent protection.
Power Input, PoE	802.3 at Type 2 Class 4, Mode A or Mode B standard but constrained to 3m maximum cable length and 56V minimum PSE output voltage. Four pair powering is supported and preferred, and is required to otherwise meet the full 802.3 at Type 2 Class 4 operating specifications for cable length.
Power Consumption	35 W maximum, 1.0 A maximum with direct DC powering 34 W maximum, 0.6 A maximum with PoE
Weather Tightness	UL Type 6 (IP-67)
Regulatory Compliance	CSA/UL 60950-1 & CSA/UL 60950-22 FCC Pt. 15 Class B
Surge Protection	All interfaces are protected to primary levels except for the 3G/4G modem antenna port which supports local antenna mounting only or requires external surge suppressor.

2 Installation

2.1 Safety Precautions

- Installation, operation, and maintenance of the Kona Macro Gateway must only be performed by a professionally trained service technician who is aware of all hazards involved.
- The Kona Macro Gateway must be installed in a restricted access location (such that touching of the Gateway by non-service persons is not likely).
- The Kona Macro Gateway may become hot to the touch during normal operation at elevated ambient temperatures. The surface temperature of the Gateway may reach 90°C.
- The Kona Macro Gateway has no internal field serviceable parts. The Gateway module must only be opened by an approved TEKTELIC service center.
- All installation practices must be in accordance with the local and national electrical codes.
- Do not work on the system during periods of lightning activity.
- The Kona Macro Gateway is considered permanently connected equipment. The Protective Earth Ground connection (that is, the two-hole lug to chassis ground) is always required.
- Ensure the Kona Macro Gateway Protective Earth Ground connection is properly terminated prior to the connection of any other interfaces.
- The Kona Macro Gateway contains primary lightning surge suppression on the Direct DC power port, the Copper Ethernet port, the GPS antenna port and the LoRa RF antenna ports. The primary lightning protectors have the ability to bridge the interface isolation boundary during over-voltages. Ensure that the Protective Earth Ground connection is always in place.
- Ensure that the Kona Macro Gateway, its antennas and supporting structures are properly secured to eliminate any physical hazard to people or property. The Gateway must be securely mounted according to the mounting instructions prior to any cable connection and operation.
- The Kona Macro Gateway does not contain a power supply disconnection device; a readily accessible disconnection device must be incorporated external to the Kona Macro Gateway.
- The direct DC powered Kona Macro Gateway shall be supplied through an input overcurrent protection device rated not more than 10 A. The overcurrent protection must have the appropriate current interrupt capacity for the power source and must be incorporated into the non-earthed conductor(s) of the Kona Macro Gateway DC supply.

- For the direct DC power feed option, the DC positive pin must be at positive potential relative to the DC negative pin. If the polarity is reversed, the unit will not sustain damage but will not operate until the connection polarity is corrected.
- Although the Kona Macro Gateway can be powered through either a direct DC input or through power over Ethernet (PoE), simultaneous application of power to both inputs may result in unexpected operation and shall be avoided.
- The Kona Macro Gateway power source must meet SELV requirements.

2.2 Unpacking and Inspection

The following should be considered during the unpacking of a new Kona Macro Gateway.

1. Inspect the shipping carton and report any significant damage to TEKTELIC.
2. Unpacking should be conducted in a clean and dry location when possible.
3. Do not discard the shipping box or foam inserts as they will be required if a unit is returned for repair or re-configuration.

2.3 Required Equipment for Installation

The following tools are required to install the Kona Macro Gateway module:

1. A 6 point metric socket set and torque wrench drive.
2. Anti-oxidant compound (NO-OX-ID, Penetrox, Noalox, Ox-Gard or equivalent).
3. A small wire brush.
4. A clean cloth.
5. Weatherproofing tape kit for the RF connectors (Scotch Wireless Weatherproofing Kit, WK-101 recommended).
6. Appropriately sized pipe clamps for pole mounting or appropriate screws or bolts (four sized M8) with any required anchors according to the wall construction for wall mounting.

2.4 Kona Macro Gateway Mounting

Kona Macro Gateway is designed to be mounted to a vertical pole or wall using a mounting bracket. The mounting bracket is a single part that bolts to the back surface of the Gateway using supplied hardware (four M6x1.0 - 14 mm bolts with flat and star lock washers) as illustrated in Figure 5. The Gateway module must be oriented with the connector bulkhead facing down, towards earth.

Ensure that the structure to which the Gateway is being mounted is secure and able to support a dead load of at least 136 kg (300 lbs). The area below must be free of any obstructions to cable ingress.

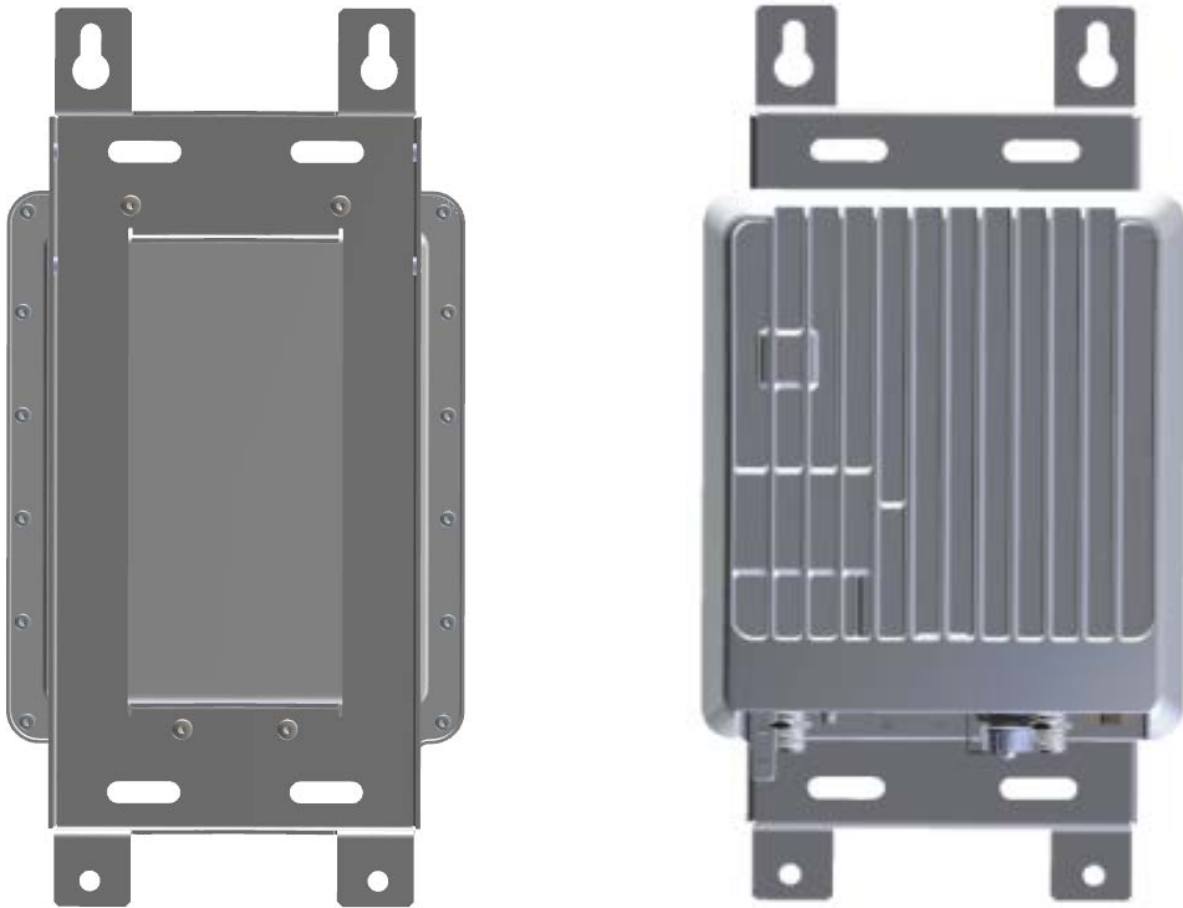


Figure 5: Kona Module with Mounting Bracket

The Kona Macro Gateway wall mounting procedure is as follows:

1. Bolt the wall mounting bracket to the Gateway module using the supplied bolts and washers.
2. Install 2 site supplied M8 bolts into the wall at 139.7 mm (5.5") center spacing, leaving the bolt heads protruding with a 2mm gap from the wall surface.
3. Hang the Kona Macro Gateway with bracket from the two bolts by inserting the keyhole slots at the top of the bracket onto the 2 bolts and tightening the bolts.
4. Insert and tighten two additional site supplied M8 bolts through the holes at the bottom of the bracket.

The Kona Macro Gateway pole mounting procedure is as follows:

1. Bolt the wall mounting bracket to the Gateway module using the supplied bolts and washers.
2. While temporarily supporting the Gateway with bracket, install the two site supplied pipe clamps, one through each of the upper and lower slotted clamp mounting points.

2.5 Ground Cable Installation

The Kona Macro Gateway is considered Permanently Connected Equipment and requires a permanently connected Protective Earth Ground (PEG) conductor. The Protective Earth Ground connection is made through a 1/4 x 0.75" on center double hole lug to the ground termination point illustrated in Figure 6. The ground cable gauge shall be #10 AWG minimum.

The Kona Macro Gateway grounding system shall follow local and national electrical codes. The Protective Earth Ground conductor terminated at the double hole lug point is mandatory and must be the first connection made to the Kona Macro Gateway during installation. Proper routing and termination of this cable is key to robust lightning withstand performance; in high susceptibility installations, every effort shall be made to minimize connection inductance and ground bed resistance.

The ground cable installation steps are as follows:

1. Lightly abrade the surface of the casting ground area with a fine wire brush to remove the oxide layer.
2. Use a clean cloth to remove any debris from this surface.
3. Immediately coat the contact surface with a thin layer of anti-oxidant compound.
4. Install the ground cable through its 2-hole lug onto the chassis ground point using the two supplied 1/4 - 20 x 1/2" bolts with flat and star lock washers, torqued to 10.4 Nm (92 in·lbs).

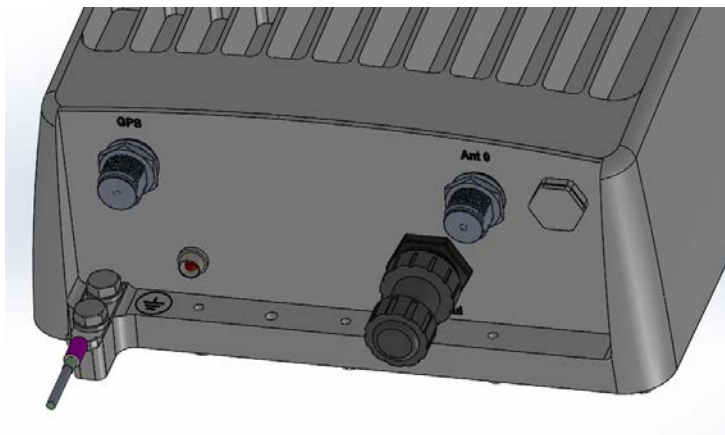


Figure 6: Chassis Ground Connection

2.6 Direct DC Power Cable Installation

Depending on the model, the Kona Macro Gateway direct DC feed may terminate at a dedicated two pin circular plastic connector (CPC) or at a hybrid three pin DC with optical connector. The direct DC power input is isolated from chassis (earth) with the exception of the primary surge suppressors. One lead of the DC power feed is normally earth referenced external to the Kona Macro Gateway (usually at the power source by convention).

The DC power cable shall be rated for outdoor application according to local and national electrical codes.

The CPC direct DC connector shall be as specified in Table 2 and shall follow the signal polarity identified in Figure 7.



Figure 7: Direct DC Power CPC Connector Connection Polarity

The hybrid direct DC power connector shall be as specified in Table 2 and shall follow the signal polarity identified in Figure 8. Although this connector supports a third wire for a ground connection, this ground is supplementary and does not replace the principle ground wire terminated at the two-hole lug chassis ground point.

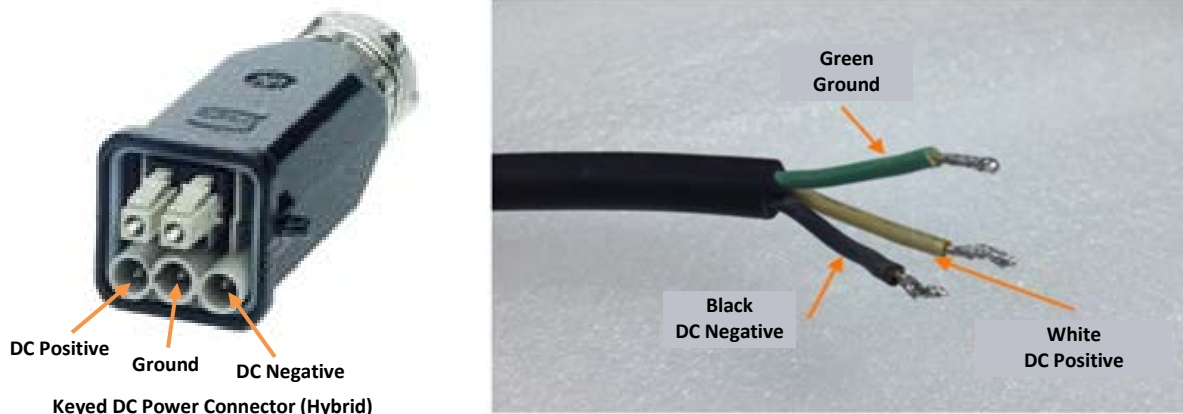


Figure 8: Hybrid Connector Direct DC Power Connection Polarity

2.7 RF Cable Installation

The Gateway installation will require connection to a GPS antenna, one or two LoRa RF antennas, and optionally a 3G/4G modem antenna. The RF cables attach to the N-Type connectors on the bottom of the Kona Macro Gateway. Torque the connectors to 1.7 to 2.3 Nm (15 to 20 in·lbs). The N-Type connector interface to a cable is not water proof and must be taped to be used outdoors. TEKTELIC recommends taping with Scotch Wireless Weatherproofing Kit, WK-101. Follow the taping procedures outlined by the supplier of this tape system.

Note that the 3G/4G modem antenna port is not surge protected and, accordingly, the antenna must be located with the Gateway module or, if remotely located, an external surge suppressor must be provisioned.

2.8 Copper Ethernet Cable Installation

The Kona Macro Gateway Ethernet port may be used on a temporary basis for commissioning and maintenance or may be permanently connected for backhaul. When the port is not in use, the weatherproof protective cap must be installed. When the port is permanently connector for backhaul, a proper water-tight mating connector specified in Table 2 must be used.

The Ethernet cable must have minimum 24 AWG conductors and shall be rated for outdoor application according to local and national electrical codes.

3 Commissioning and Monitoring

3.1 Required Equipment

The following equipment is required for commissioning and monitoring the Kona Macro Gateway.

1. A laptop running Windows XP/Vista/7.
2. A Cat5 or better Ethernet cable.

3.2 Procedure

Once the DC power and GPS and LoRa RF antenna connections are in place the Kona Macro Gateway may be commissioned.

1. Connect an Ethernet cable between the Host PC and the bulkhead copper Ethernet connector (RJ45). For a PoE powered installation, a PoE power injector may be required.
2. Apply DC power to the Kona Macro Gateway. The initial current draw is expected to be greater than 0.1A. If there is no current, the polarity of the DC power cable connection may be reversed or the power source may not be configured properly.
3. The Kona Macro Gateway supports DHCP; from the Gateway MAC ID label on the enclosure, determine the IP address using your local DHCP tools.
4. Install the Tektelic Kona Factory Test Tool on a PC and follow the operating instructions as detailed in the reference document T0004142_GUI_Instructions.

4 Radio Compliance Statements

Federal Communications Commission

This device complies with Part 15 of the FCC Rules. Operation is subject to the following two conditions:

1. This device may not cause harmful interference, and
2. This device must accept any interference received, including interference that may cause undesired operation.

Changes or modifications not expressly approved by the party responsible for compliance could void the user's authority to operate the equipment

This equipment has been tested and found to comply with the limits for a Class B digital device, pursuant to Part 15 of the FCC Rules. These limits are designed to provide reasonable protection against harmful interference in a residential installation. This equipment generates uses and can radiate radio frequency energy and, if not installed and used in accordance with the instructions, may cause harmful interference to radio communications. However, there is no guarantee that interference will not occur in a particular installation. If this equipment does cause harmful interference to radio or television reception, which can be determined by turning the equipment off and on, the user is encouraged to try to correct the interference by one of the following measures:

- Reorient or relocate the receiving antenna.
- Increase the separation between the equipment and receiver.
- Connect the equipment into an outlet on a circuit different from that to which the receiver is connected.
- Consult the dealer or an experienced radio/TV technician for help.

To comply with FCC/IC RF exposure limits for general population / uncontrolled exposure, the antennas used for this transmitter must be installed to provide a separation distance of at least 80 cm from all persons and must not be co-located or operating in conjunction with any other antenna or transmitter.

Industry Canada

This Device complies with Industry Canada License-exempt RSS standard(s). Operation is subject to the following two conditions:

1. This device may not cause interference, and
2. This device must accept any interference, including interference that may cause undesired operation of the device.

This radio transmitter (certification number) has been approved by Industry Canada to operate with the antenna types listed below with the maximum permissible gain indicated. Antenna types not included in this list, having a gain greater than the maximum gain indicated for that type, are strictly prohibited for use with this device.

The required antenna impedance is 50 ohms.

Only antenna with maximum gain of 8dBi can be used for the LoRa radios of this product if the cable insertion loss at 900 MHz is 0.5dB or more for 1 carrier operation at 28.5dBm or 2dB or more for 2 carrier operation at 30dBm total. Antenna(s) shall be installed to location providing a separation distance of at least 31.5 inches (80 cm) from any human body.

During product operation, always keep a separation distance of at least 31.5 inches (80 cm) from any connected antenna(s). Before servicing the product, the antenna(s) or cables, turn off the transmission function or the unit power if you have to get closer than the minimum separation distance..

The 3G/4G modem antenna maximum allowed gain including cable loss shall be in accordance with the following table:

Technology	Band	Frequency (MHz)	Maximum Antenna Gain (dBi)
LTE	2	1850-1910	3.0
	4	1710-1755	6.0
	5	824-849	3.0
	13	777-787	6.0
	17	704-716	6.0
	25	1850-1915	3.0
UMTS	2	1850-1910	3.0
	4	1710-1755	6.0
	5	824-849	3.0
GSM	850	824-849	3.0
	1900	1850-1910	3.0
CDMA	BC0	824-849	3.0
	BC1	1850-1910	3.0
	BC10	817-824	3.0

5 Description du produit

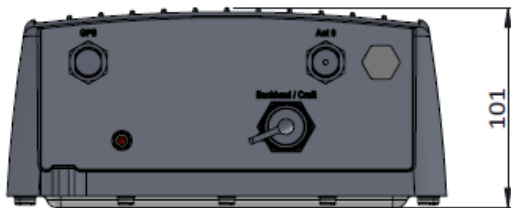
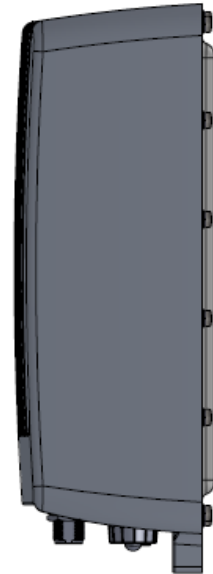
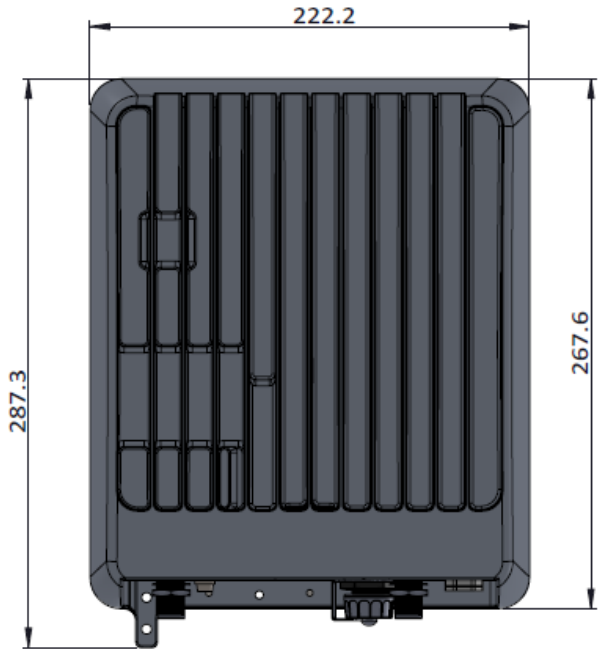
5.1 Vue d'ensemble

La passerelle Macro Kona est une passerelle LoRaWAN IoT qui prend en charge la gamme complète des canaux US902-928. La plate-forme Kona est conçue pour supporter une multitude de configurations de déploiement dans un environnement extérieur. L'architecture matérielle prend en charge une ou deux antennes LoRa, une antenne GPS, une alimentation d'entrée CC directe ou Power over Ethernet (PoE) et des options de backhaul, y compris Ethernet en cuivre, Ethernet optique et 3G / 4G sans fil. Le tableau présente les modèles Kona Macro Gateway actuellement disponibles.

Kona Macro Gateway Maquette

Maquette	Product Code	Description	GPS Ant.	Direct DC Power	Optical	Copper Eth.	3G/4G Ant.	LoRa Ant.
1	T0004142	KONA MACRO	1	0	0	1	0	1
2	T0004470	KONA MACRO, DC POWER, 3G/4G	1	1	0	1	1	1
3	T0004250	KONA MACRO, DC POWER, 2X LORA, 3G/4G	1	1	0	1	1	2
4	T0004251	KONA MACRO, OPTICAL & DC POWER	1	1	1	1	0	1
5	T0004252	KONA MACRO, OPTICAL & DC POWER, 2X LORA	1	1	1	1	0	2
6	T0004537	KONA MACRO, DC POWER, 2X LORA	1	1	0	1	0	2

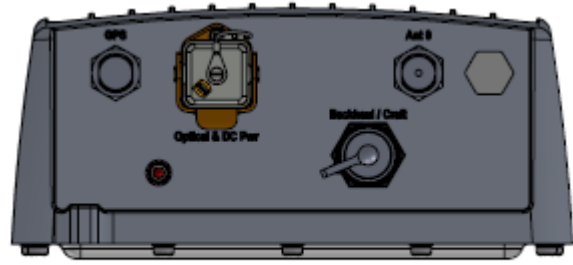
La figure illustre le facteur de forme externe de la passerelle commune; Les différences entre les différents modèles sont limitées à la disposition de la cloison de raccordement. La figure illustre les dispositions de la cloison pour les modèles Kona Gateway.



Kona Macro Gateway Dimensions Communes



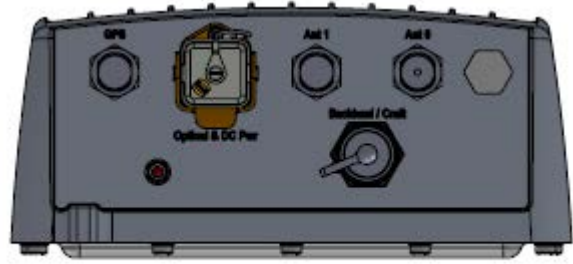
T0004142



T0004251



T0004470



T0004252



T0004250

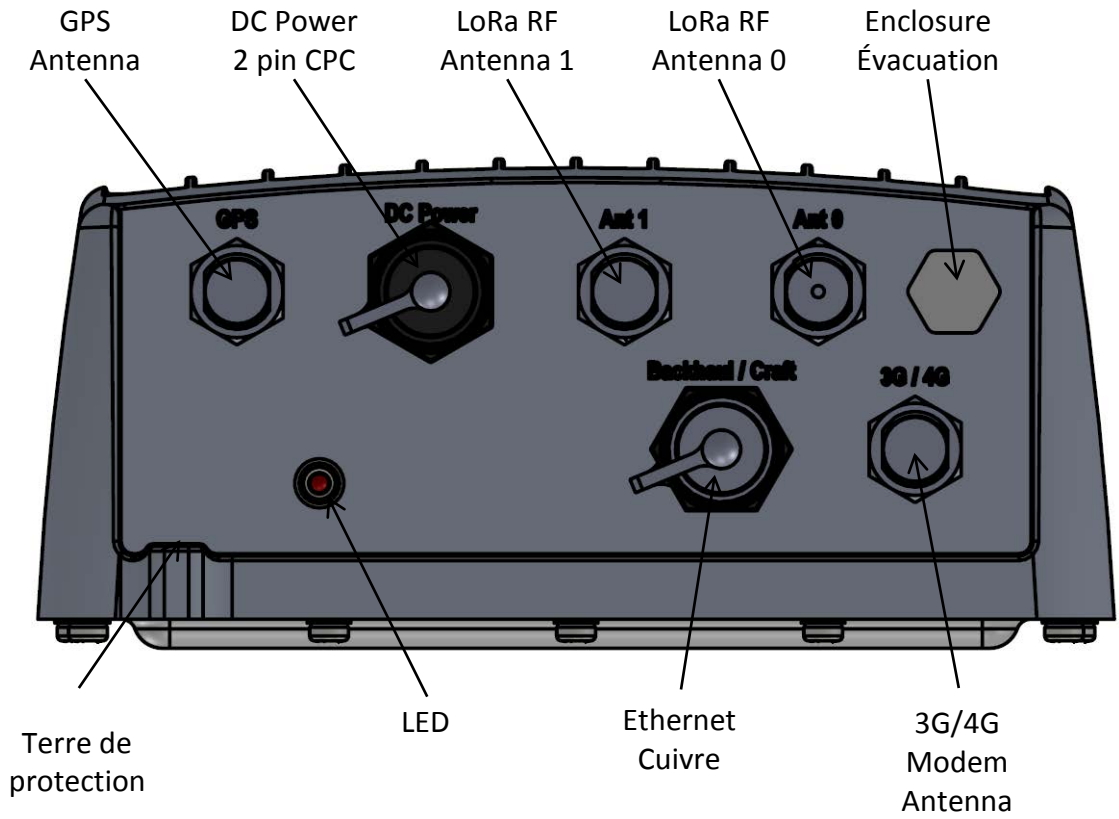


T0004537

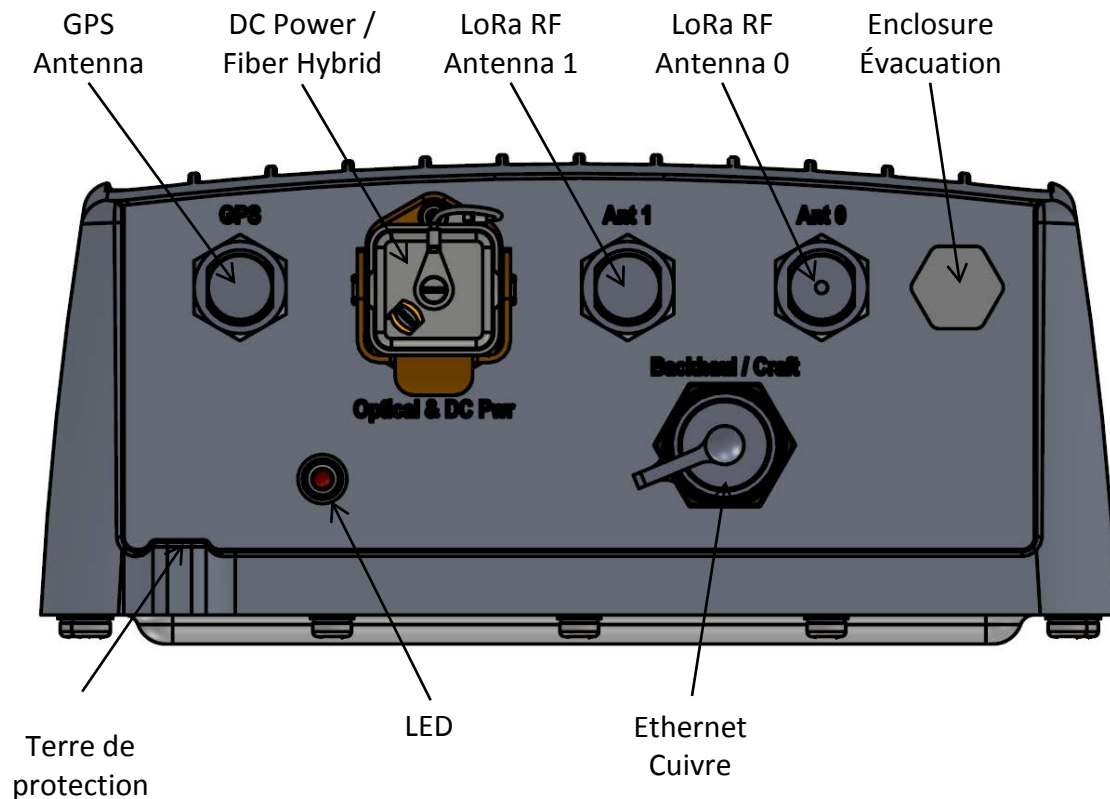
Kona Macro Gateway Disposition des cloisons

5.2 Connecteurs

Le champ du connecteur Kona Gateway est détaillé dans la Figure pour le modèle T0004250. Tous les connecteurs ne sont pas présents sur d'autres modèles. Le connecteur d'alimentation CC est remplacé par un connecteur de puissance / fibre DC hybride sur des modèles qui prennent en charge la capacité de rétroaction de fibre comme avec le modèle T0004252 décrit en détail à la figure.



Kona Macro Gateway T0004250 Champ du connecteur



Kona Macro Gateway T0004252 Champ du connecteur

Toutes les interconnexions du module Kona Gateway sont situées sur la paroi inférieure. Les connecteurs RF sont résistants à l'eau lorsqu'ils sont désaccouplés, mais tous les autres connecteurs doivent être munis de connecteurs correspondants ou couverts par le capuchon de protection fourni lorsqu'ils ne sont pas utilisés afin d'être étanches. Les types de connecteurs et leurs connecteurs correspondants sont répertoriés dans le Tableau.

Kona Macro Gateway Types de connecteurs d'interface

Interface	QTY	Connector Type	Mating Connector
LoRa Antenna Ports	1 or 2	N-Type femelle	Standard d'industrie N-Type male
3G/4G Modem Backhaul Antenna Port	0 or 1	N-Type femelle	Standard d'industrie N-Type male
Copper Ethernet Port	1	Fileté, circulaire, RJ-45	Shenzhen Chogori Technology Co., Ltd. approved mating connector (p/n 33000111-02 or equivalent)
Direct DC Power Input Port	0 or 1	Fileté, circulaire, 2	Shenzhen Chogori Technology Co., Ltd. approved mating connector (p/n

		contact DC power	23002211-02, or equivalent)
Hybrid Direct DC Power/Fiber Ethernet Port	0 or 1	Harting Hybrid DC Power / Optical connector	Harting Technology Group approved mating connector
GPS Port	1	N-Type femelle	Standard d'industrie N-Type male
Terre de protection	1	Borne de terre de protection du châssis	Standard d'industrie 2-hole lug, 1/4 x 0.75" spacing

5.3 Caractéristiques

Les spécifications de Kona Macro Gateway sont énumérées dans le Tableau.

Kona Macro Gateway Caractéristiques

Attribute	Caractéristiques
Dimensions	222.2mm x 101mm x 287.3mm
Poids	5.1 kg
Température d'utilisation	-40°C to 60°C Au niveau de la mer Y compris la charge solaire
Humidité relative	10% to 100%
Altitude de fonctionnement	-60 m to 4,000 m
Alimentation, Direct DC	48 VDC nominal, plage de fonctionnement de 37 à 57 VDC après un seuil de démarrage maximal de 42 V. Alimentation référencée au sol positive ou négative. SELV source requise. Protection maximale contre les surintensités d'entrée 10A.
Alimentation, PoE	802.3 à la classe 2, classe 4, mode A ou mode B, mais limité à une longueur de câble maximale de 3 m et une tension de sortie PSE minimale de 56 V. L'alimentation à quatre piles est prise en charge et préférable, et elle doit satisfaire aux spécifications de fonctionnement de la classe 4 de type 2 pour la longueur du câble.
Consommation d'énergie	35 W maximum, 1,0 A maximum avec alimentation DC directe 34 W maximum, 0,6 A maximum avec PoE
Conditions météorologiques	UL Type 6 (IP-67)
Conformité réglementaire	CSA/UL 60950-1 & CSA/UL 60950-22 FCC Pt. 15 Class B
Protection contre les surtensions	Toutes les interfaces sont protégées aux niveaux primaires, à l'exception du port d'antenne du modem 3G / 4G qui prend en charge uniquement le montage de l'antenne locale ou nécessite un coupe-circuit externe.

6 Installation

6.1 Précautions de sécurité

- L'installation, le fonctionnement et l'entretien de la passerelle Macro Kona doivent être effectués uniquement par un technicien qualifié et formé, conscient de tous les dangers.
- La passerelle Macro Kona doit être installée dans un lieu d'accès restreint (de sorte que le contact de la passerelle par des personnes non desservies n'est pas probable).
- La Kona Macro Gateway peut devenir chaude au toucher en fonctionnement normal à des températures ambiantes élevées. La température de surface de la passerelle peut atteindre 90 ° C.
- La passerelle Macro Kona ne comporte aucune pièce interne pouvant être réparée. Le module Gateway ne doit être ouvert que par un centre de service TEKTELIC agréé.
- Toutes les pratiques d'installation doivent être conformes aux codes électriques locaux et nationaux.
- Ne pas travailler sur le système pendant les périodes d'activité de la foudre.
- La passerelle Macro Kona est considérée comme un équipement connecté en permanence. La connexion à la terre de protection (c'est-à-dire la borne à deux trous à la masse du châssis) est toujours requise.
- Assurez-vous que la connexion à la terre de protection Kona Macro Gateway est terminée correctement avant la connexion de toute autre interface.
- La passerelle Macro Kona contient une protection contre les surtensions primaires sur le port d'alimentation CC direct, le port Ethernet en cuivre, le port d'antenne GPS et les ports d'antenne RF LoRa. Les protecteurs contre la foudre primaires ont la capacité de combler la frontière d'isolement d'interface pendant les surtensions. Assurez-vous que la connexion à la terre de protection est toujours en place.
- Assurez-vous que la passerelle Kona Macro, ses antennes et ses structures de support sont bien sécurisées pour éliminer tout risque physique pour les personnes ou les biens. La passerelle doit être montée de manière sûre conformément aux instructions de montage avant toute connexion et utilisation du câble.
- La passerelle Macro Kona ne contient pas de dispositif de déconnexion de l'alimentation; Un dispositif de déconnexion facilement accessible doit être incorporé en externe à la passerelle Kona Macro.

- La passerelle Kona Macro à courant continu doit être alimentée par un dispositif de protection contre les surintensités d'entrée dont la valeur ne dépasse pas 10 A. La protection contre les surintensités doit avoir la capacité d'interruption de courant appropriée pour la source d'alimentation et doit être incorporée dans le ou les conducteurs non mis à la terre) De l'alimentation Kona Macro Gateway DC.
- For the direct DC power feed option, the DC positive pin must be at positive potential relative to the DC negative pin. If the polarity is reversed, the unit will not sustain damage but will not operate until the connection polarity is corrected.
- Bien que la passerelle Macro Kona puisse être alimentée par une entrée CC directe ou par une alimentation via Ethernet (PoE), l'utilisation simultanée de l'alimentation des deux entrées peut entraîner un fonctionnement inattendu et doit être évitée.
- La source d'alimentation Kona Macro Gateway doit répondre aux exigences SELV.

6.2 Déballage et inspection

Les éléments suivants doivent être pris en compte lors du déballage d'une nouvelle passerelle Kona Macro.

Inspectez le carton d'expédition et signalez tout dommage important à TEKTELIC.

Le déballage doit être effectué dans un endroit propre et sec lorsque possible.

Ne jetez pas la boîte d'expédition ou les inserts en mousse comme ils seront nécessaires si une unité est retournée pour réparation ou reconfiguration.

6.3 Matériel requis pour l'installation

Les outils suivants sont nécessaires pour installer le module Kona Macro Gateway:

Ensemble de douilles métriques de 6 points et entraînement de la clé dynamométrique.

Composé antioxydant (NO-OX-ID, Penetrox, Noalox, Ox-Gard ou équivalent).

Une petite brosse métallique.

Un chiffon propre.

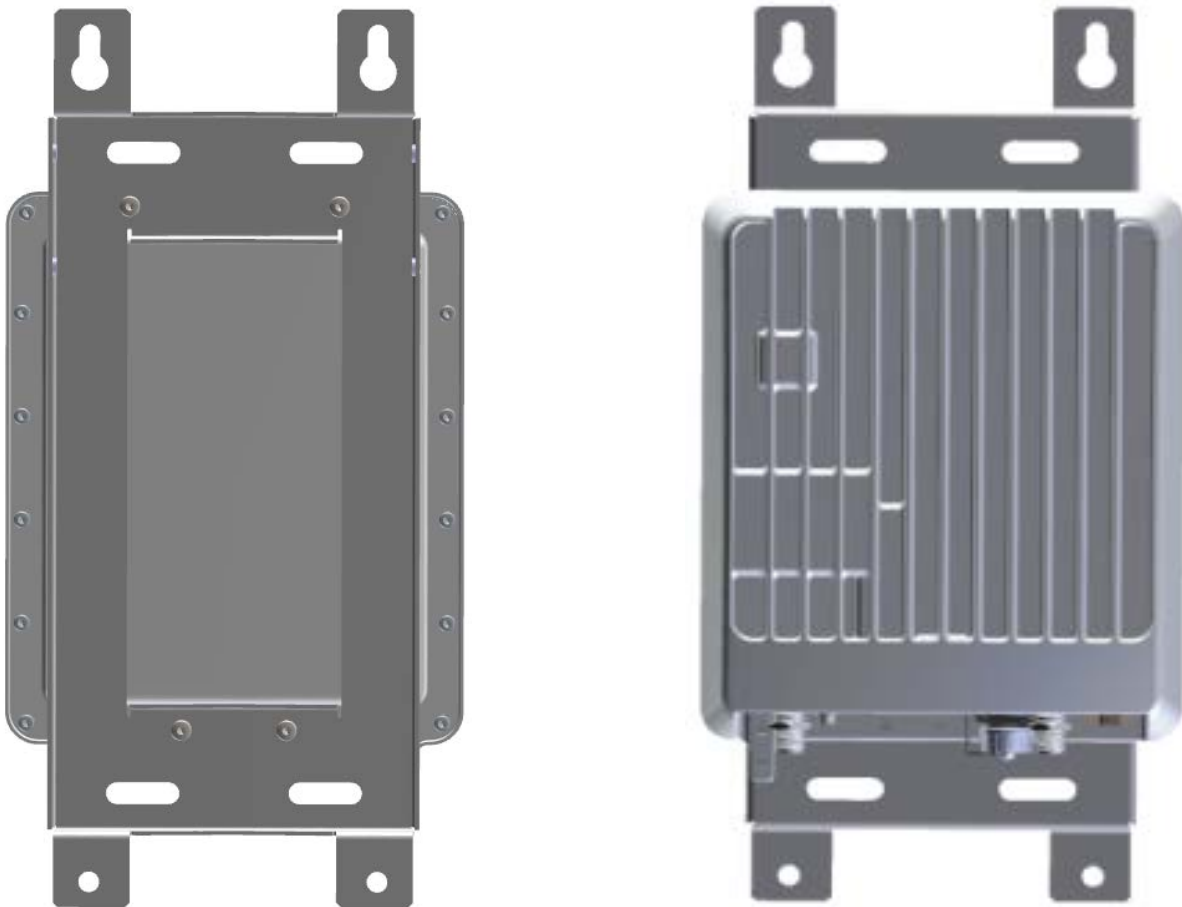
Kit de bande anti-intempéries pour les connecteurs RF (Scotch Wireless Weatherproofing Kit, WK-101 recommandé).

Colliers de montage de taille appropriée pour le montage de poteau ou des vis ou boulons appropriés (quatre dimensions M8) avec tous les ancrages requis selon la construction de mur pour le montage mural.

6.4 Montage Kona Macro Gateway

Kona Macro Gateway est conçu pour être monté sur un poteau ou un mur vertical à l'aide d'un support de montage. Le support de montage est une pièce unique qui se verrouille sur la face arrière de la passerelle en utilisant le matériel fourni (quatre boulons M6x1.0 - 14 mm avec rondelles plates et étoile) comme illustré à la figure. Le module passerelle doit être orienté avec le connecteur Face vers le bas, vers la terre.

Assurez-vous que la structure sur laquelle la passerelle est montée est sécurisée et capable de supporter une charge mortelle d'au moins 136 kg. La zone ci-dessous doit être exempte de tout obstacle à l'entrée du câble.



Module Kona avec support de montage

La procédure de montage mural Kona Macro Gateway est la suivante:

Visser le support mural au module Gateway à l'aide des boulons et rondelles fournis.

Installez 2 boulons M8 fournis dans le mur à un espacement de 139,7 mm, laissant les têtes audacieuses faisant saillie avec un écart de 2 mm de la surface du mur.

Accrochez la passerelle Macro Kona avec le support des deux boulons en insérant les fentes en trou de serrure en haut du support sur les 2 boulons et en serrant les boulons.

Insérez et serrez deux boulons M8 supplémentaires fournis par le site à travers les trous au bas du support.

La procédure de montage de la passerelle Kona Macro Gateway est la suivante:

Vissez le support de montage mural au module Gateway à l'aide des boulons et rondelles fournis.

Pendant le support temporaire de la passerelle avec support, installez les deux colliers de fixation fournis, un par chacun des points de fixation de la bride supérieure et inférieure.

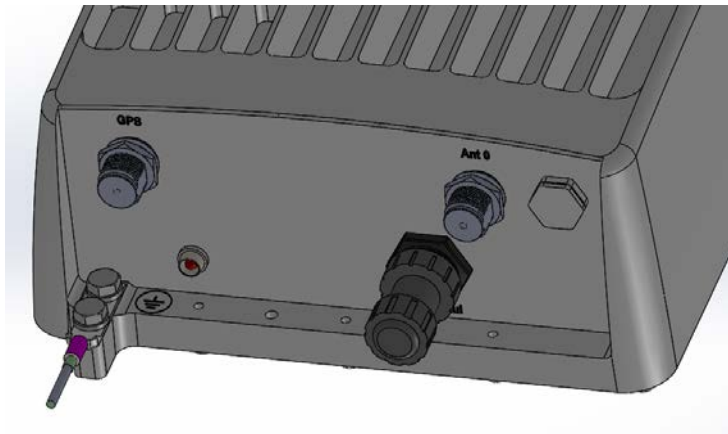
6.5 Installation du câble de masse

La passerelle Macro Kona est considérée comme un équipement connecté en permanence et nécessite un conducteur de terre de protection (PEG) connecté en permanence. La connexion au sol de terre de protection est faite par un ergot de double trou de 1/4 x 0,75" au point de terminaison du sol illustré à la Figure. Le calibre du câble de masse doit être au minimum de 10 AWG.

Le système de mise à la terre Kona Macro Gateway doit respecter les codes électriques locaux et nationaux. Le conducteur de mise à la terre de protection terminé au point de douille à double trou est obligatoire et doit être la première connexion à la passerelle Macro Kona pendant l'installation. Le bon acheminement et la terminaison de ce câble sont essentiels à la robustesse des performances de résistance à la foudre; Dans les installations à haute sensibilité, on s'efforcera de minimiser l'inductance de connexion et la résistance au sol.

Les étapes d'installation des câbles de terre sont les suivantes:

- Lissez légèrement la surface de la surface de moulage au sol avec une brosse métallique fine pour enlever la couche d'oxyde.
- Utilisez un chiffon propre pour enlever les débris de cette surface.
- Enduire immédiatement la surface de contact d'une fine couche de composé anti-oxydant.
- Installez le câble de masse à travers son ergot à 2 trous sur la borne de mise à la terre du châssis en utilisant les deux boulons fournis 1/4 - 20 x 1/2" avec rondelles plates et étoile, serré à 10,4 Nm.



Connexion à la masse du châssis

6.6 Installation du câble d'alimentation CC direct

En fonction du modèle, l'alimentation CC continue de la passerelle Macro Kona peut se terminer par un connecteur en plastique circulaire à deux broches dédié (CPC) ou un connecteur optique hybride à trois broches avec connecteur optique. L'alimentation continue en courant continu est isolée du châssis (terre) à l'exception des capteurs de surtension primaires. Un conducteur de l'alimentation en courant continu est normalement référencé à la terre à l'extérieur de la passerelle Kona Macro (généralement à la source d'alimentation par convention).

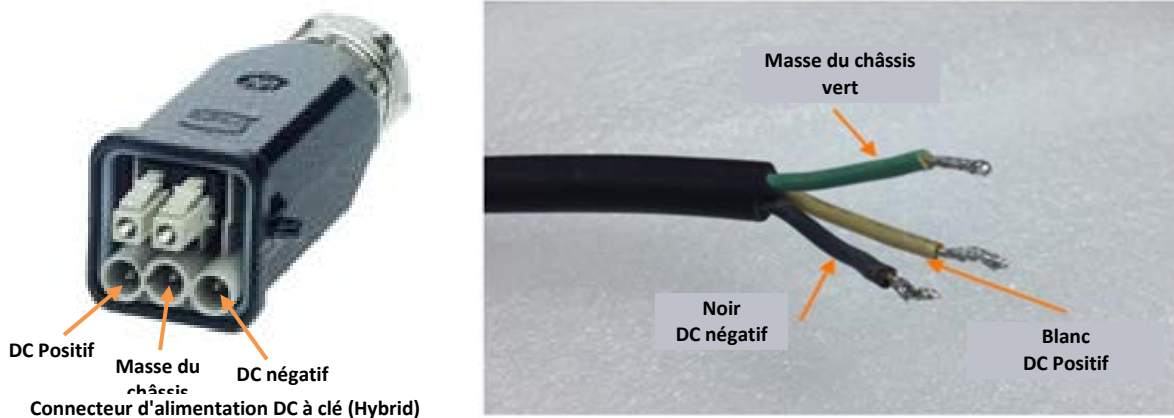
Le câble d'alimentation CC doit être homologué pour une utilisation en extérieur conformément aux codes électriques locaux et nationaux.

Le connecteur CC continu du CPC doit être conforme au tableau et doit suivre la polarité du signal indiquée à la figure.



Raccordement du connecteur CPC à courant continu direct Polarité

Le connecteur d'alimentation CC continu hybride doit être conforme au tableau et doit suivre la polarité du signal identifiée sur la figure. Bien que ce connecteur supporte un troisième fil pour une connexion au sol, ce sol est complémentaire et ne remplace pas le câble de terre de principe terminé à Le point de mise à la terre du châssis à deux trous.



Connecteur hybride Raccordement direct CC Polarité

6.7 Installation du câble RF

L'installation de la passerelle nécessitera la connexion à une antenne GPS, à une ou deux antennes RF LoRa et, éventuellement, à une antenne modem 3G / 4G. Les câbles RF se fixent aux connecteurs N-Type au bas de la passerelle Kona Macro. Couplez les connecteurs à 1,7 à 2,3 Nm. L'interface de connecteur N-Type à un câble n'est pas étanche à l'eau et doit être collée pour être utilisée à l'extérieur. TEKTELIC recommande l'utilisation d'un adhésif Scotch Wireless Weatherproofing Kit, WK-101. Suivez les procédures d'enregistrement décrites par le fournisseur de ce système de bandes.

Notez que le port d'antenne du modem 3G / 4G n'est pas protégé contre les surtensions et que, par conséquent, l'antenne doit être située avec le module Gateway ou, si elle est située à distance, un parafoudre externe doit être installé.

6.8 Installation du câble Ethernet en cuivre

Le port Ethernet Kona Macro Gateway peut être utilisé à titre temporaire pour la mise en service et la maintenance ou peut être connecté en permanence pour le backhaul. Lorsque le port n'est pas utilisé, le capuchon de protection contre les intempéries doit être installé. Lorsque le port est en permanence un connecteur pour le backhaul, un connecteur approprié étanche à l'eau spécifié dans le tableau doit être utilisé.

Le câble Ethernet doit avoir un minimum de conducteurs 24 AWG et doit être évalué pour une utilisation en extérieur conformément aux codes électriques locaux et nationaux.

7 Mise en service et surveillance

7.1 Équipement requis

Les équipements suivants sont nécessaires pour la mise en service et la surveillance de la passerelle Macro Kona.

- Un ordinateur portable fonctionnant sous Windows XP / Vista / 7.
- Câble Ethernet Cat5 ou supérieur.

7.2 Procédure

Une fois que l'alimentation CC et les connexions d'antenne RF GPS et LoRa sont en place, la passerelle Macro Kona peut être mise en service.

- Connectez un câble Ethernet entre le PC hôte et le connecteur Ethernet cuivre de cloison (RJ45). Pour une installation alimentée en PoE, un injecteur PoE peut être nécessaire.
- Appliquez l'alimentation CC à la passerelle Kona Macro. On s'attend à ce que le tirage de courant initial soit supérieur à 0,1 A. S'il n'y a pas de courant, la polarité de la connexion du câble d'alimentation CC peut être inversée ou la source d'alimentation peut ne pas être configurée correctement.
- La passerelle Macro Kona prend en charge DHCP; À partir de l'étiquette d'identification MAC de la passerelle sur le boîtier, déterminez l'adresse IP à l'aide de vos outils DHCP locaux.
- Installez l'outil de test Tektelic Kona Factory sur un PC et suivez les instructions d'utilisation détaillées dans le document de référence T0004142_GUI_Instructions.

8 Déclarations de conformité à la radio

Industrie Canada

Cet appareil est conforme aux normes RSS d'Industrie Canada exemptées de licence. Son fonctionnement est soumis aux deux conditions suivantes:

1. Cet appareil ne doit pas provoquer d'interférences et
2. Cet appareil doit accepter toute interférence, y compris les interférences pouvant entraîner un fonctionnement indésirable de l'appareil.

Cet émetteur radio (numéro de certification) a été approuvé par Industrie Canada pour fonctionner avec les types d'antennes énumérés ci-dessous avec le gain maximal autorisé indiqué. Les types d'antennes non inclus dans cette liste, ayant un gain supérieur au gain maximal indiqué pour ce type, sont strictement interdits avec ce périphérique.

L'impédance d'antenne requise est de 50 ohms.

Seule une antenne avec un gain maximal de 8dBi peut être utilisée pour les radios LoRa de ce produit si la perte d'insertion de câble à 900 MHz est de 0,5dB ou plus pour une opération de porteuse à 28,5dBm ou 2dB ou plus pour un fonctionnement de 2 porteurs à 30dBm au total. Une ou plusieurs antennes doivent être installées à un emplacement situé à au moins 31,5 pouces (80 cm) de tout corps humain.

Pendant le fonctionnement du produit, conservez toujours une distance de séparation d'au moins 31,5 cm (80 cm) de toute antenne connectée. Avant de réparer le produit, la ou les antennes ou les câbles, désactivez la fonction de transmission ou la puissance de l'unité si vous devez vous rapprocher de la distance de séparation minimale.

Le gain maximal admissible de l'antenne du modem 3G / 4G, y compris la perte de câble, doit être conforme au tableau suivant:

Technology	Band	Frequency (MHz)	Gain maximum d'antenne (dBi)
LTE	2	1850–1910	3.0
	4	1710–1755	6.0
	5	824–849	3.0
	13	777–787	6.0
	17	704–716	6.0
	25	1850–1915	3.0
UMTS	2	1850–1910	3.0
	4	1710–1755	6.0
	5	824–849	3.0
GSM	850	824–849	3.0
	1900	1850–1910	3.0
CDMA	BC0	824–849	3.0
	BC1	1850–1910	3.0
	BC10	817–824	3.0