

TEKTELIC COMMUNICATIONS INC.

Document type: **User Manual**

Document number: **T0004906**

Document version: **1.6**

Document Status: **Approved**

Product name: **Pearl Gateway**

Product codes: **T0004437, T0004438, T0004372**

TEKTELIC Communications Inc.
7657 10th Street NE
Calgary, AB, Canada T2E 8X2
Phone: (403) 338-6900

© 2017 TEKTELIC Communications Inc., All rights reserved.

All products, names and services are trademarks and registered trademarks of their respective companies.

Disclaimer:

Material contained in this document is subject to change without notice. The material herein is solely for information purposes and does not represent a commitment by TEKTELIC or its representatives. TEKTELIC has prepared the information contained in this document solely for use by its employees, agents, and customers. Dissemination of this information and/or concepts to other parties is prohibited without the prior written consent of TEKTELIC. In no event will TEKTELIC be liable for any incidental or consequential damage in connection with the furnishing, performance or use of this material.

TEKTELIC reserves the right to revise this publication in accordance with formal change control procedures defined by TEKTELIC.

Revision History

Version	Date	Status	Editor	Comments
1.6	September 21, 2017	Approved	T. Danshin	Added additional text referring to table 1-8 related to allowed antennas
1.5	September 13, 2017	Approved	T. Danshin	Added additional labelling requirements for fixed gateway as per FCC §§ 15.212 (a)(1)(vi)(A)
1.4	August 13, 2017	Approved	T. Danshin	Added minimum separation to antenna for mobile gateway.
1.3	August 3, 2017	Approved	T. Danshin	Added additional text relating to antennas before Table 4-8
1.2	August 2, 2017	Approved	T. Danshin	Added MPE separation information for fixed gateway
1.1	July 31, 2017	Approved	T. Danshin	Clarifications for EMC filing: antenna specifications
1.0	July 28, 2017	Approved	S. Morrison	Changed document number, type and status for formal release as approved version 1.0
0.4	June 23, 2017	Draft	T. Danshin	Corrected FCC classification – removed references to Hybrid System. Updated maximum Tx power to 28dBm from 30dBm (in both English and French sections of the document)
0.3	June 19, 2017	Draft	S. Morrison	Corrected Fixed GW TTU output connector type and Mobile GW 5V antenna output
0.2	June 16, 2017	Draft	S. Morrison	Updates to clarify mounting procedure
0.1	June 07, 2017	Draft	S. Morrison	Initial release

Table of Contents

1	Product Description	5
1.1	Introduction.....	5
1.2	Overview	5
1.3	External Interfaces	7
1.4	Specifications.....	12
2	Installation	15
2.1	Safety Precautions.....	15
2.2	Unpacking and Inspection	16
2.3	Required Equipment for Installation.....	16
2.4	Pearl Gateway Mounting	16
2.5	Pearl TTU Mounting	18
2.6	Ground Cable Installation	21
2.7	DC Power Cable Installation	24
2.8	RF Cable Installation.....	26
3	Radio Compliance Statements	27
4	Description du produit.....	29
4.1	Introduction.....	29
4.2	Overview	29
4.3	Interfaces Externes.....	31
4.4	Specifications.....	37
5	Installation	40
5.1	Précautions de sécurité.....	40
5.2	Déballage et inspection.....	41
5.3	Équipement requis pour l'installation.....	41
5.4	Montage Pearl Gateway.....	41
5.5	Montage Pearl TTU.....	43
5.6	Installation par câble à la terre	46
5.7	Installation du câble d'alimentation CC	49

5.8 Installation du câble RF 51

6 Déclarations de conformité radio..... 52

1 Product Description

1.1 Introduction

This User Guide covers two systems. One system is referred to as the Mobile Gateway which is comprised of a single module while the second system is referred to as the Fixed Gateway which is comprised of two modules, the Gateway Module and the Tower Top Unit (TTU) module. As used within this document, unless otherwise qualified, the term “Gateway” will refer to the Gateway system which includes the Gateway module, the TTU in the case of the fixed Gateway, and any accessories such as cables and antennas, etc. Reference to individual components will generally use the qualifying term “module”.

1.2 Overview

The Pearl Gateway is a wireless base station which operates using LoRa or FSK modulation in the North American ISM band of 902 MHz – 928 MHz with TDD operation across the entire band. LoRa is a long range, low power wireless standard for Internet of Things (IoT) application (<https://www.lora-alliance.org/>). The FSK modulation is customer proprietary. The Gateway is designed to be compliant with FCC Part 15.247 as either a frequency hopping spreads spectrum (FHSS) or Digital Transmission (DTS) System. The module has a single transmitter capable of approximately +28 dBm maximum for the fixed gateway (conducted at the TTU antenna port) and about +20 dBm at the mobile gateway antenna port.

Table 1-1 lists the Pearl system hardware.

Table 1-1: Pearl Gateway Models

Product Code	Description
T0004437	Pearl Mobile Gateway Module
T0004438	Pearl Fixed Gateway Module
T0004372	Pearl Tower Top Unit

The Fixed Gateway is designed to operate always with the Tower Top Unit (TTU) which also contains an LNA and as well amplifies the RF transmit signal. The TTU and antenna LNA are powered from the Gateway which injects a bias supply voltage onto the RF antenna feed center conductor. The Gateway RF antenna feed is protected against overload conditions and short circuit conditions with an internal auto-resetting protection circuit.

Both Gateways support an active GPS antenna which is powered through the GPS antenna feed from the Gateway. The GPS antenna feed is protected against overload conditions and short circuit conditions with an internal auto-resetting protection circuit.

Both Gateways contain a number of ports for data management including USB and Ethernet.

The Fixed Gateway also contains binary alarm inputs for site management.

Figure 1 illustrates Mobile Gateway while Figure 2 illustrates the Fixed Gateway.



Figure 1: Pearl Mobile Gateway

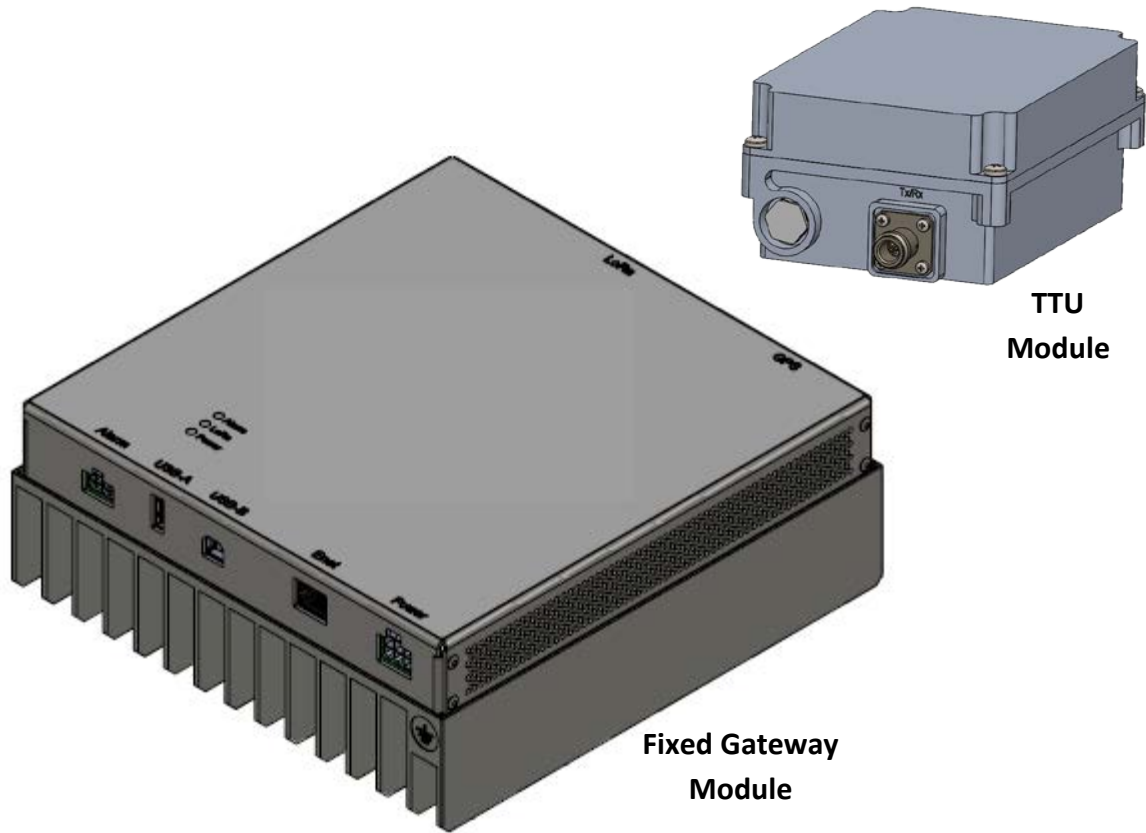


Figure 2: Pearl Fixed Gateway

1.3 External Interfaces

The Mobile Gateway Module interface connectors are listed in Table 1-2 and illustrated in Figure 3.

Table 1-2: Pearl Mobile Gateway Module Interface Connectors

Interface	Location	Connector Type	Mating Connector
ISM Antenna Port	Front	TNC jack	Industry standard TNC plug
GPS Antenna Port	Front	TNC jack	Industry standard TNC plug
USB-A	Front	USB type A receptacle	Industry standard USB type A plug
USB-B	Front	USB type B receptacle	Industry standard USB type B plug
DC Power	Front	2-pin threaded circular plastic connector (CPC)	Shenzhen Chogori Technology Co., Ltd. p/n 33000111-02 or equivalent
Chassis (Earth) Ground	Front	Screw with lug	Industry standard single hole lug for #8-32 screw

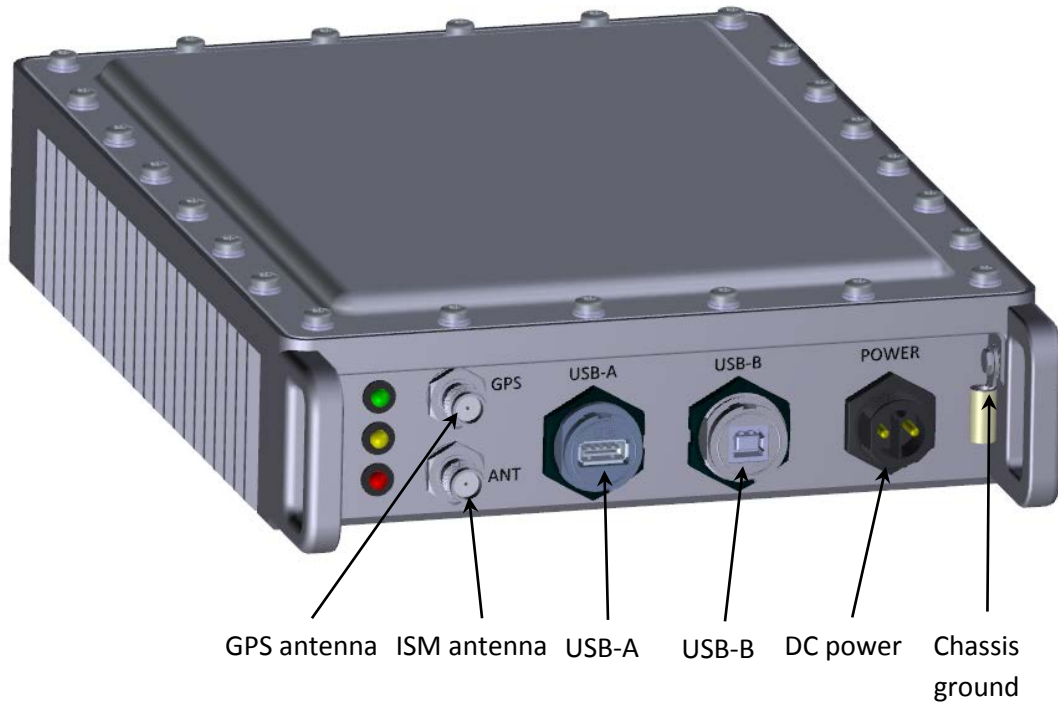


Figure 3: Pearl Mobile Gateway Module Interconnect

The Fixed Gateway Module interface connectors are listed in Table 1-3 and illustrated in Figure 4.

Table 1-3: Pearl Fixed Gateway Module Interface Connectors

Interface	Location	Connector Type	Mating Connector
TTU interface Port	Back	SMA jack	Industry standard SMA plug
GPS Antenna Port	Back	SMA jack	Industry standard SMA plug
DC Power & alarms	Front	Molex Mini-fit 2x3 header	Molex Mini-fit 2x3 plug
Site Alarms	Front	Molex Mini-fit 2x4 header	Molex Mini-fit 2x4 plug
USB-A	Front	USB type A receptacle	Industry standard USB type A plug
USB-B	Front	USB type B receptacle	Industry standard USB type B plug
Ethernet	Front	RJ-45 socket	Industry standard RJ-45 plug
Chassis (Earth) Ground	Front	Screw with lug	Industry standard single hole lug for #8-32 screw

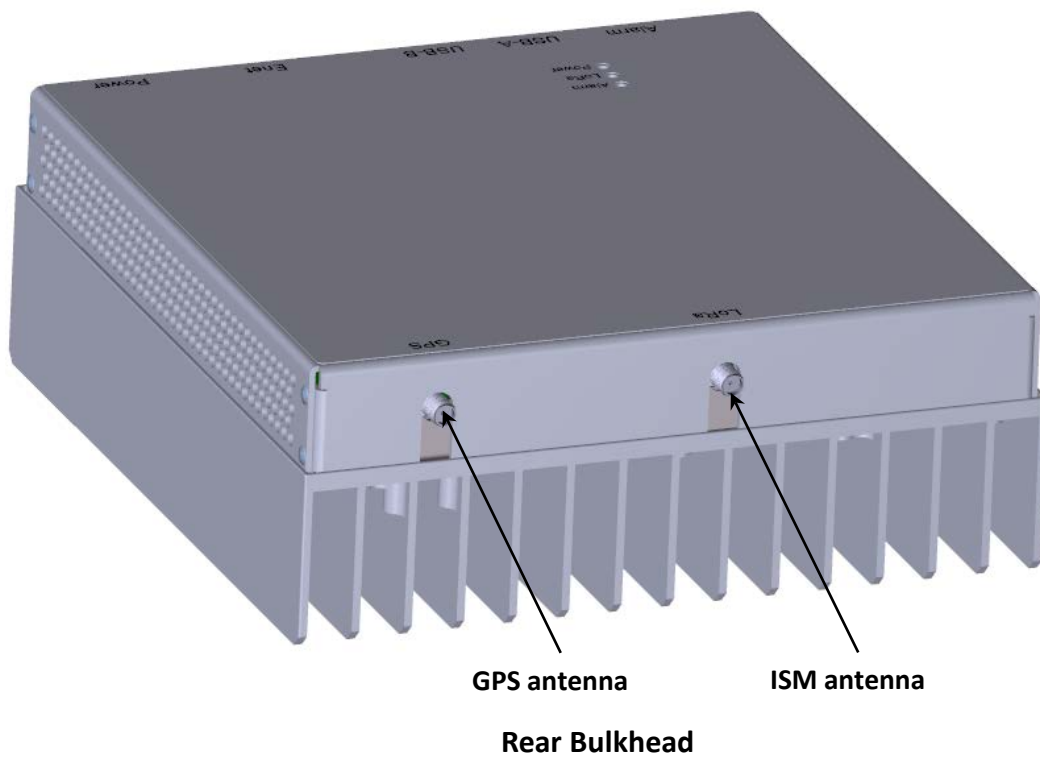
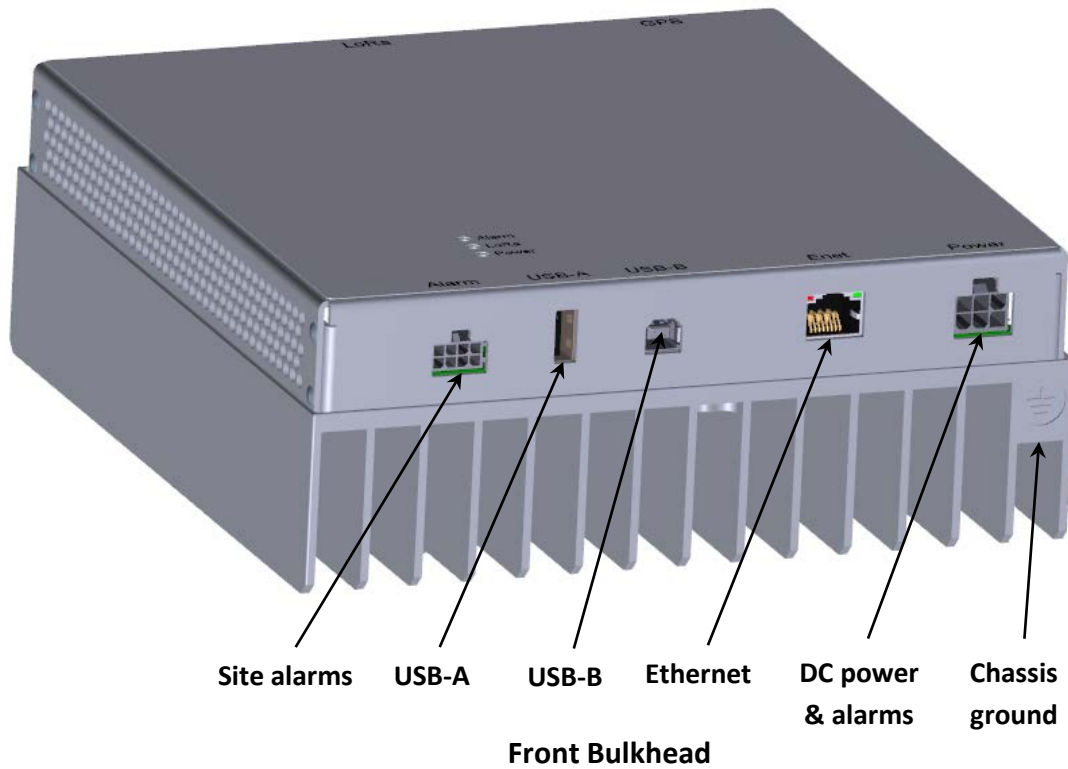


Figure 4: Pearl Fixed Gateway Module Interconnect

The TTU Module interface connectors are listed in Table 1-4 and illustrated in Figure 5.

Table 1-4: Pearl TTU Module Interface Connectors

Interface	Location	Connector Type	Mating Connector
ISM RF Antenna Port	Top	N-type female	Industry standard N-type male
Gateway module interface Port	Bottom	N-type female	Industry standard N-type male
Chassis (Earth) Ground	Bottom	Screw with lug	Industry standard single hole lug for #8-32 screw

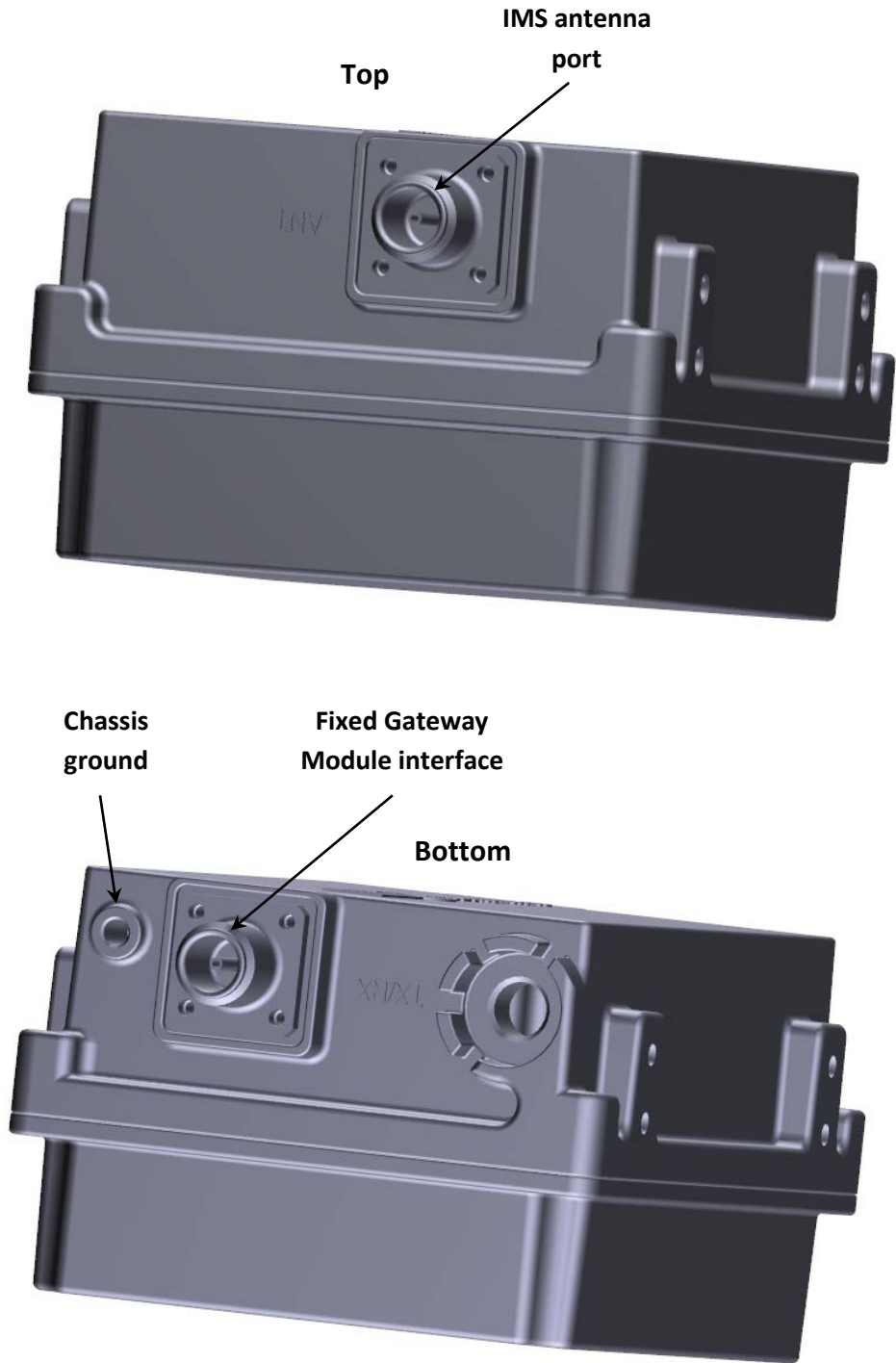


Figure 5: Pearl TTU Module Interconnect

1.4 Specifications

The Pearl Mobile Gateway Module specifications are listed in Table 1-5.

Table 1-5: Pearl Mobile Gateway Module Specifications

Attribute	Specification
Dimensions	218.8mm (8.6") wide x 72mm (2.8") deep x 303.8mm (12.0") tall
Weight	3.15 kg (6.95 lbs)
Operating Temperature	-40°C to 60°C (-40°F to 140°F) ambient at sea level including solar loading
Relative Humidity	10% to 100%
Operating Altitude	Maximum 2,000 m (6,560 ft)
DC Power Input	12V DC nominal 10V to 15V DC operating range +/-16V DC no damage 30W maximum Maximum 20A input overcurrent protection.
ISM antenna output power	5V DC, 300mA maximum
GPS antenna output power	5V DC, 50mA maximum
Weather Tightness	Indoor product
Regulatory Compliance	CSA/UL 60950-1 FCC Pt. 15 Class B

The Pearl Fixed Gateway Module specifications are listed in Table 1-6.

Table 1-6: Pearl Fixed Gateway Module Specifications

Attribute	Specification
Dimensions	189.4mm (7.5") wide x 77mm (3.0") deep x 197.8mm (7.8") tall
Weight	1.71 kg (3.76 lbs)
Operating Temperature	-40°C to 70°C (-40°F to 158°F) ambient at sea level including solar loading
Relative Humidity	10% to 100%
Operating Altitude	Maximum 2,000 m (6,560 ft)
DC Power Input	12V DC nominal 10V to 15V DC operating range +/-16V DC no damage

	40W maximum Maximum 20A input overcurrent protection.
TTU port output power	12V DC, 1.5A maximum
GPS antenna output power	5V DC, 50mA maximum
Weather Tightness	Indoor product
Regulatory Compliance	CSA/UL 60950-1 FCC Pt. 15 Class B

The Pearl TTU Module specifications are listed in Table 1-7.

Table 1-7: Pearl TTU Module Specifications

Attribute	Specification
Dimensions	222.2mm (8.7") wide x 101mm (4.0") deep x 287.3mm (11.3") tall
Weight	2.1 kg (4.6 lbs)
Operating Temperature	-40°C to 65°C (-40°F to 149°F) at sea level Including solar loading.
Relative Humidity	10% to 100%
Operating Altitude	Maximum 3,048 m (10,000 ft)
Surge protection	20kV, 1.2/50us combination waveform
Weather Tightness	IP67
Regulatory Compliance	CSA/UL 60950-1 & & CSA/UL 60950-22 FCC Pt. 15 Class B

This radio transmitter (Mobile Gateway IC: 22504-T0004437, Fixed Gateway IC: 22504-T0004438) has been approved by Industry Canada to operate with the antenna types listed below with the maximum permissible gain indicated. Antenna types not included in this list, having a gain greater than the maximum gain indicated for that type, are strictly prohibited for use with this device.

The specified ISM antennas are listed in Table 1-8. Antenna types not included in Table 1-8, having a gain greater than the maximum gain indicated for that type, are strictly prohibited for use with this device.

Table 1-8 ISM Antennas

Gateway Type	IC: Number	Antenna Vendor	Model Number	Gain (dBi)
Mobile Gateway	IC: 22504-T0004437	PCTel	BMUF9115	5
Fixed Gateway + TTU	IC: 22504-T0004438	L-Com	HG908U-PRO	8
Fixed Gateway + TTU	IC: 22504-T0004438	L-Com	HGV906U	6

2 Installation

2.1 Safety Precautions

- Installation, operation, and maintenance of the Pearl Gateway must only be performed by a trained person who is aware of all hazards involved.
- The Pearl Gateway must be installed in a restricted access location (such that touching of the Gateway by untrained persons is not likely).
- The Pearl Gateway may become hot to the touch during normal operation at elevated ambient temperatures. The surface temperature of the enclosure may reach 90°C.
- The Pearl Gateway has no internal field serviceable parts. The Gateway module must only be opened by an approved service center.
- All installation practices must be in accordance with local and national electrical codes.
- Do not work on the system during periods of lightning activity.
- The Pearl Gateway is considered permanently connected equipment. The Protective Earth Ground connection to chassis is always required.
- Ensure the Pearl Gateway Protective Earth Ground connection is properly terminated prior to the connection of any other interfaces.
- The Pearl Gateway TTU contains primary lightning surge suppression on the RF ports. The primary lightning protectors have the ability to shunt lightning energy to earth ground which includes the chassis. Ensure that the Protective Earth Ground connection is always in place.
- Ensure that the Pearl Gateway including the TTU and its antennas and supporting structures are properly secured to eliminate any physical hazard to people or property. The Gateway including the TTU must be securely mounted according to the mounting instructions prior to any cable connection and operation.
- The Pearl Gateway does not contain a power supply disconnection device; a readily accessible disconnection device must be incorporated external to the Gateway.
- The Pearl Gateway shall be supplied through an input overcurrent protection device rated not more than 20 A. The overcurrent protection must have the appropriate current interrupt capacity for the power source and must be incorporated into the non-earthed conductor(s) of the DC supply.

- The DC input power positive pin must be at positive potential relative to the DC negative pin for the Gateway to function. If the polarity is reversed, the unit will not sustain damage but will not operate until the polarity is corrected.
- The Pearl Gateway DC power source must meet SELV requirements.

2.2 Unpacking and Inspection

The following should be considered during the unpacking of a new Pearl Gateway.

1. Inspect the shipping carton and report any significant damage to TEKTELIC.
2. Unpacking should be conducted in a clean and dry location when possible.
3. Do not discard the shipping box or foam inserts as they will be required if a unit is returned for repair or re-configuration.

2.3 Required Equipment for Installation

The following tools are required to install the Pearl Gateway system:

1. An imperial and a metric socket with Torx set and a torque wrench.
2. Anti-oxidant compound (NO-OX-ID, Penetrox, Noalox, Ox-Gard or equivalent).
3. A small wire brush or emery cloth.
4. A clean cloth.
5. Weatherproofing tape kit for the RF connectors (Scotch Wireless Weatherproofing Kit, WK-101 recommended).
6. Four M4 screws with locking hardware for Gateway mounting (length according to application, see next section).
7. Four M8 screws with locking hardware for TTU mounting according to application (see next section).

2.4 Pearl Gateway Mounting

The Pearl Gateway Modules are designed to be mounted to a flat surface using site supplied M4 x 0.7 stainless screws with locking hardware, one at each of the four mounting points as illustrated in Figure 6 for the Mobile Gateway Module and Figure 7 for the Fixed Gateway Module. These four mounting screws are to pass through pre-drilled holes in the mounting surface. The mounting drill-hole pattern is on a square as indicated in Figure 6 and Figure 7. The drill size shall be selected for a slight clearance to M4 screws.

Mounting the Gateway module requires access to both sides of the mounting surface; this may require two persons in cases where the mounting surface is large.

The length of M4 mounting screw shall be determined according to the mounting surface thickness. After accommodating for the locking hardware and mounting surface thicknesses, the M4 mounting screws shall tread into the gateway chassis by at least 5 mm but not more than 10 mm.

The Gateway Module mounting orientation is to be such that the chassis fins are vertical.

Ensure that the surface and related structure to which the Module is being mounted is secure and able to support a dead load of at least 136 kg (300 lbs).

Ensure sufficient free space around the bulkhead connectors for access and cable ingress.

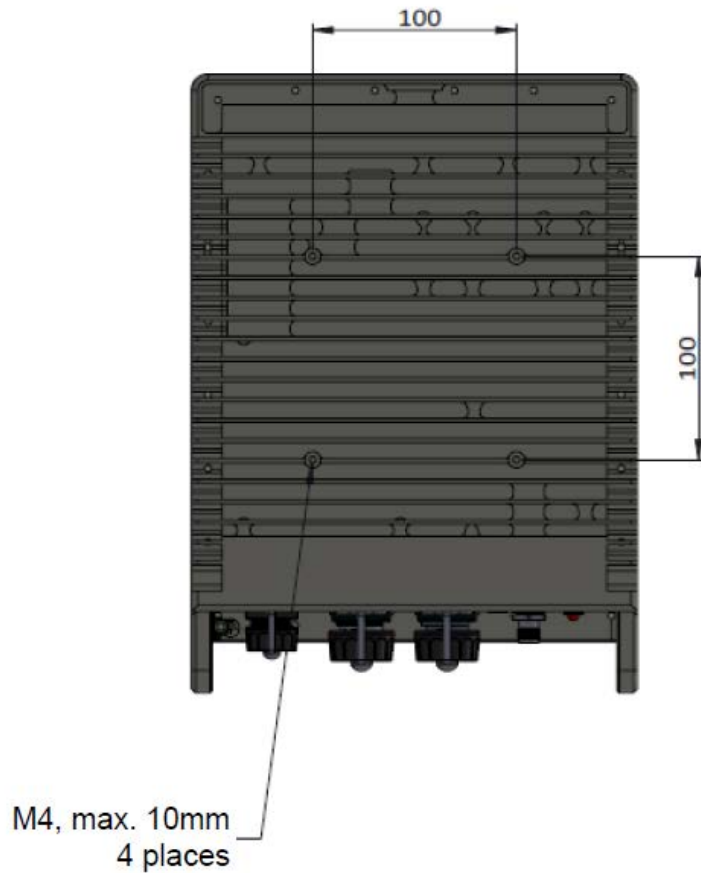


Figure 6: Pearl Mobile Gateway Module Mounting Points

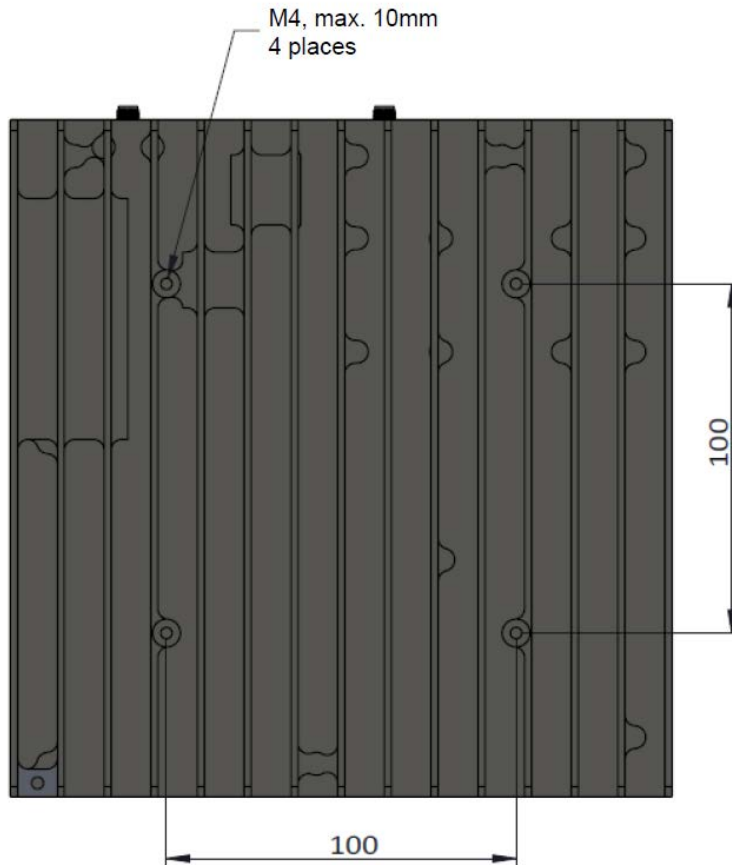


Figure 7: Pearl Fixed Gateway Module Mounting Points

2.5 Pearl TTU Mounting

The Pearl TTU module is designed to be mounted to a flat surface or to a pole using the supplied mounting brackets. The TTU may be mounted with two of the small brackets as illustrated in Figure 9 or with one small bracket and one antenna bracket as illustrated in Figure 10. Each bracket shall be attached to the TTU module using four of the supplied M5 x 0.8 – 10mm stainless steel screws at the locations illustrated in Figure 8. Once the brackets are attached to the TTU module, the module may be mounted.

To mount the TTU with bracket to a flat surface, four site supplied stainless steel M8 bolts are required, two at each end of each bracket as illustrated in Figure 8 and Figure 9. The M8 bolts shall be selected according to the site specific mounting surface material and shall include locking hardware.

To mount the TTU with bracket to a pole, two site supplied stainless steel pole straps are required, one at each mounting bracket looped through the strap slots as indicated in Figure 8 and Figure 9.

The TTU mounting orientation is to be vertical with the vent plug pointing down to earth.

Ensure that the surface or pole and related structure to which the Module is being mounted are secure and able to support a dead load of at least 136 kg (300 lbs).

Ensure sufficient free space around the bulkhead connectors for access and cable ingress.

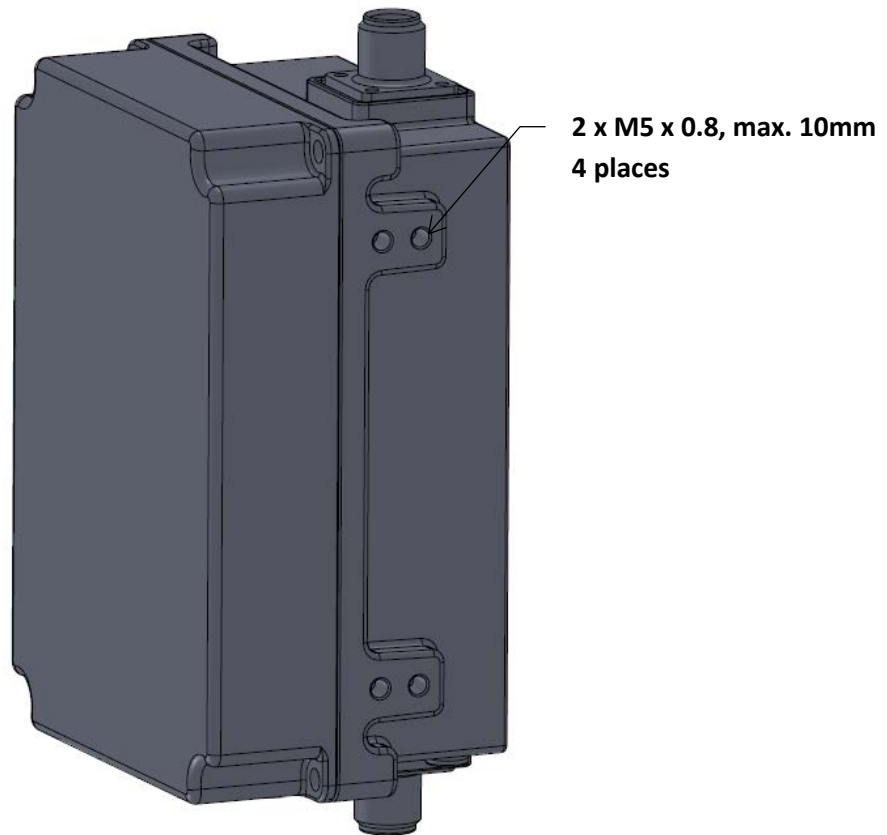


Figure 8: TTU Module Mounting Points

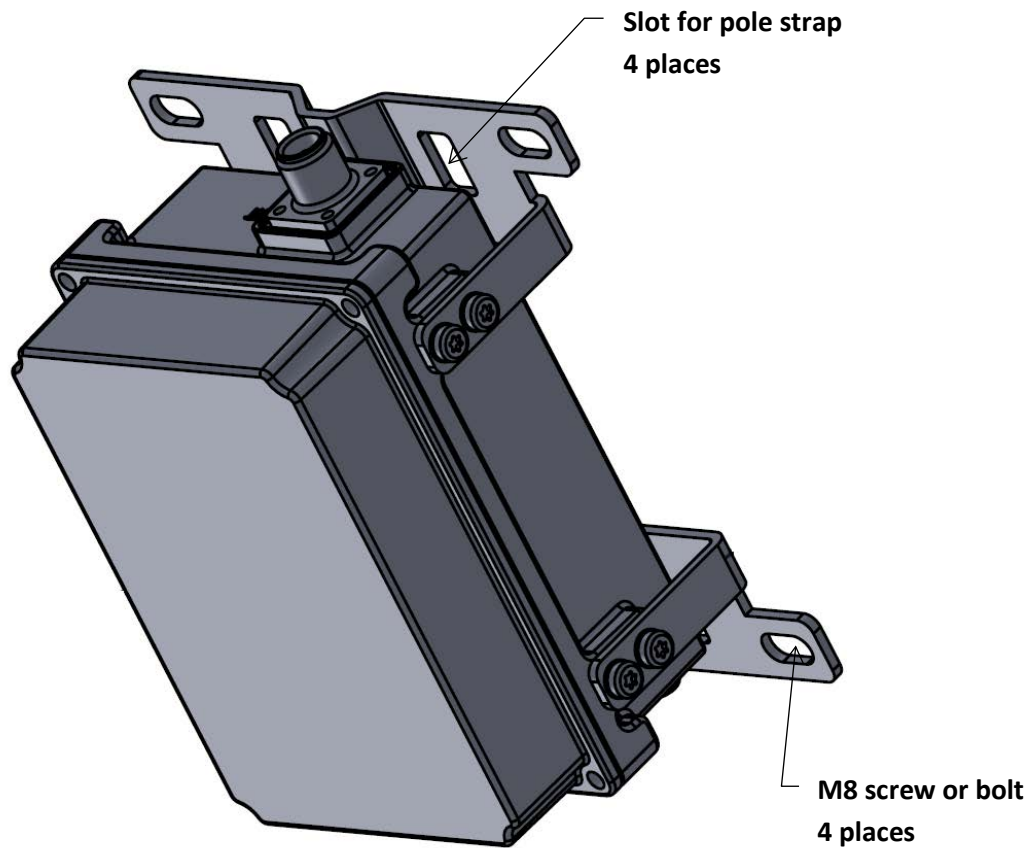


Figure 9: TTU Module Mounting with Small Brackets

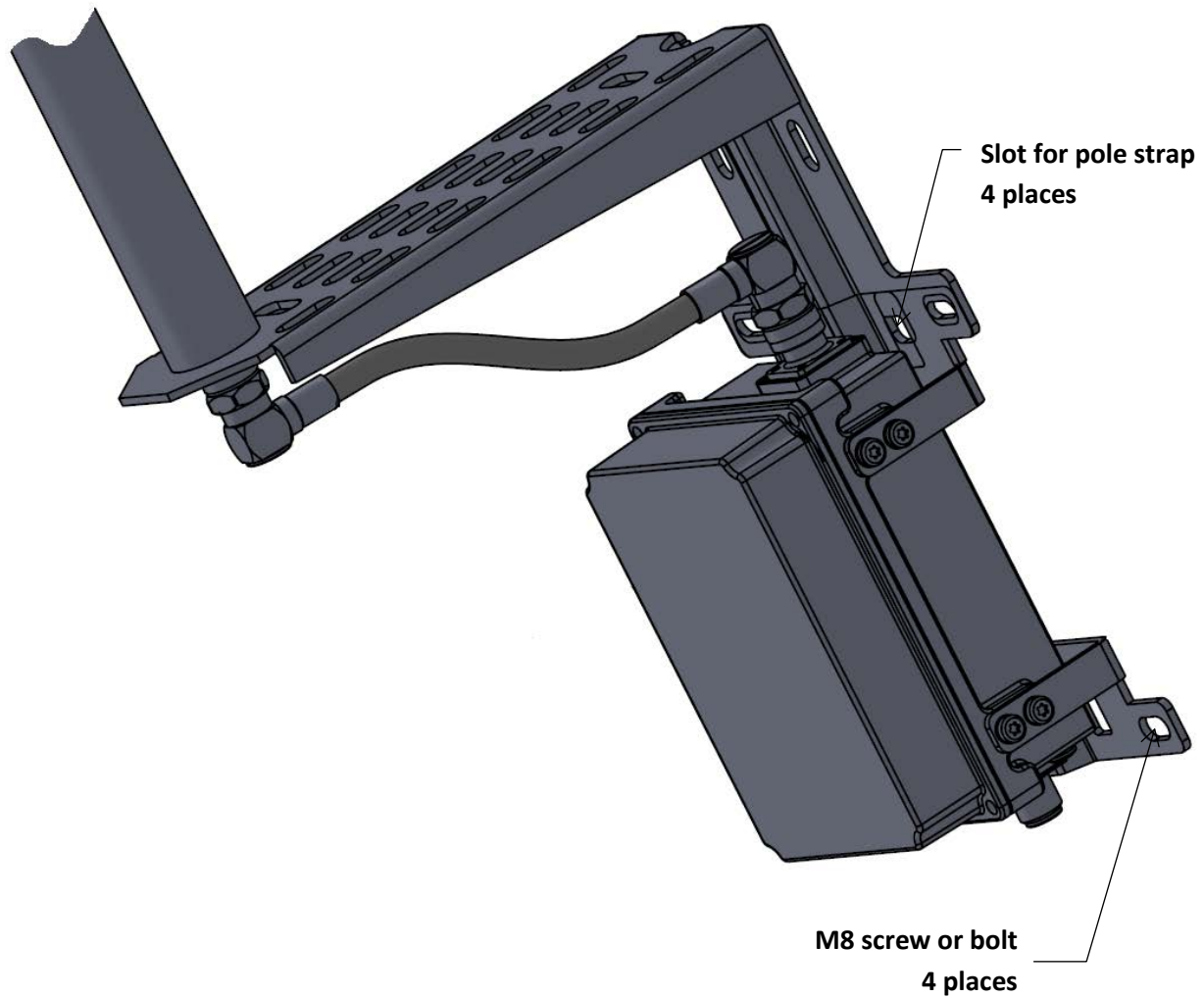


Figure 10: TTU Module Mounting with One Small and One Antenna Bracket

2.6 Ground Cable Installation

The Pearl Gateway is considered Permanently Connected Equipment and requires a permanently connected Protective Earth Ground (PEG) conductor for each module. The Protective Earth Ground connection is made through a #8-32 screw using an industry standard single-hole lug as illustrated in Figure 6 for the Mobile Gateway Module, Figure 6 for the Fixed Gateway Module, and Figure 6 for the TTU Module.

The recommended ground cable gauge is #10 AWG minimum.

The Pearl Gateway grounding system shall follow local and national electrical codes. The Protective Earth Ground conductor terminated at the ground lug point is mandatory and must

be the first connection made to the Pearl Gateway during installation. Proper routing and termination of this cable is key to robust EMI performance; in high susceptibility installations, every effort shall be made to minimize ground connection impedance

The ground cable installation steps are as follows:

1. Lightly abrade the surface of the chassis grounding area (the paint free area around the ground screw hole) with a fine wire brush or emery cloth to remove the oxide layer which may have formed.
2. Use a clean cloth to remove any debris from this surface.
3. Immediately coat the contact surface with a thin layer of anti-oxidant compound.
4. Install the ground cable with its screw lug onto the chassis ground point using a #8-32 screw with flat and star lock washers, torqued to 2.2 Nm (20 in·lbs).

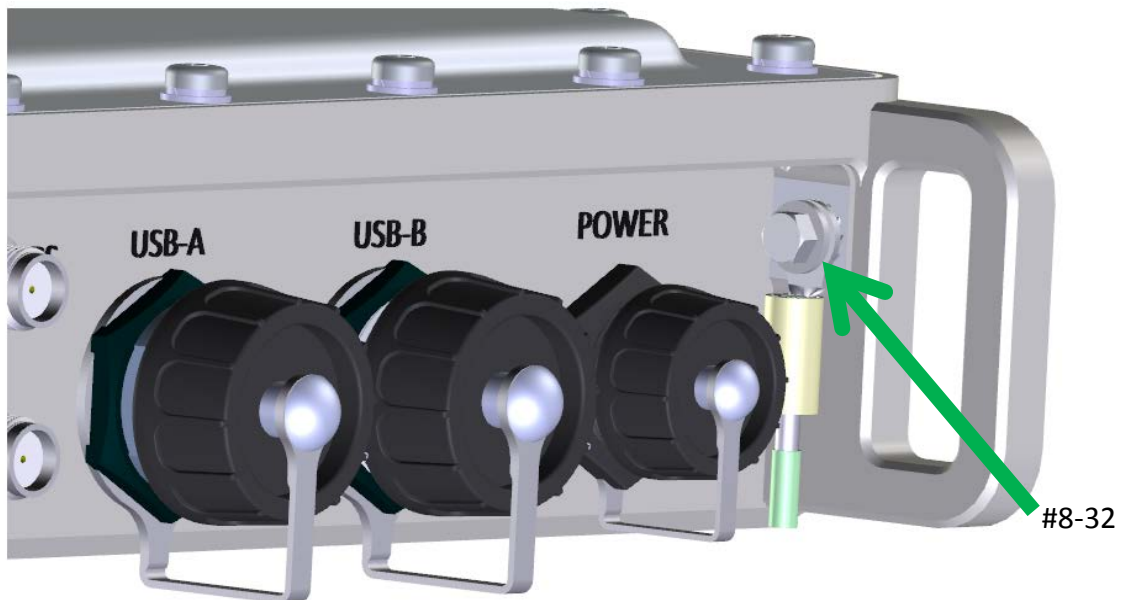


Figure 11: Pearl Mobile Gateway Module Ground Point

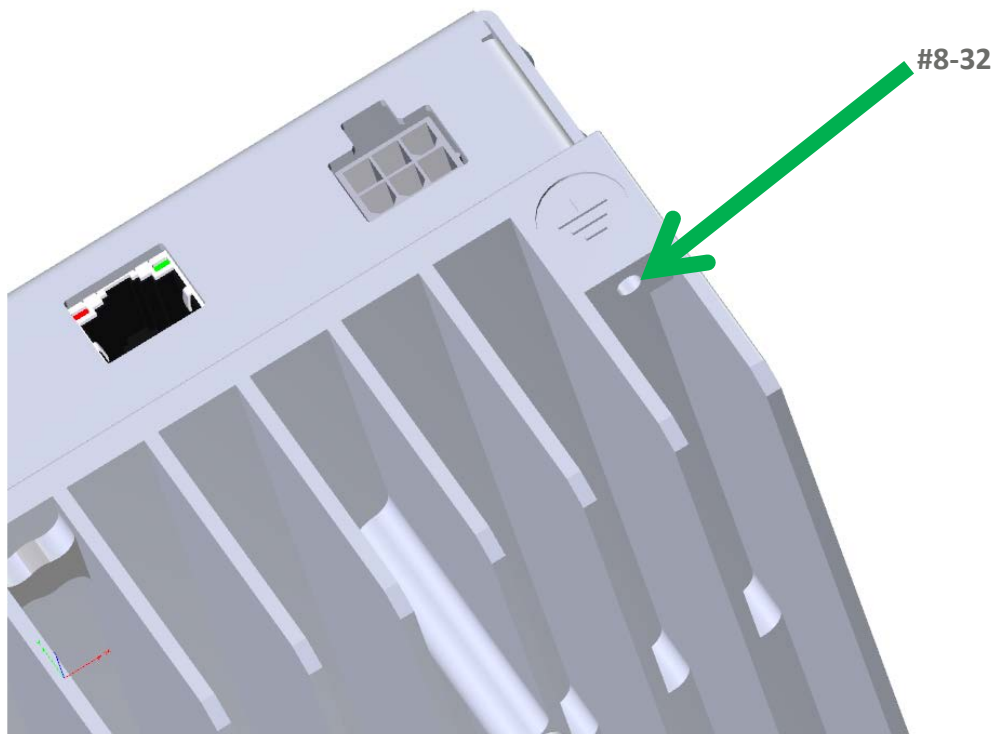


Figure 12: Pearl Fixed Gateway Module Ground Point



Figure 13: Pearl TTU Module Ground Point

2.7 DC Power Cable Installation

The Gateway Module DC power input is isolated from chassis (earth). One lead of the DC power feed is normally earth referenced external to the Pearl Gateway, usually at the power source by convention.

An input overcurrent protection device rated not more than 20 A, and with the appropriate current interrupt capacity for the power source, must be incorporated into the non-earthed conductor(s) of the DC supply.

DC power is supplied to the Mobile Gateway Module through a two pin circular plastic connector (CPC). The mating CPC connector shall be as specified in Table 1-2 and shall follow the polarity identified in Figure 14.



Figure 14: Mobile Gateway Module DC Power Connector Signals

DC power is supplied to the Fixed Gateway Module through two pins of a six pin Molex Mini-fit connector. The mating connector shall be as specified in Table 1-3 and shall follow the signal assignment identified in Figure 15.

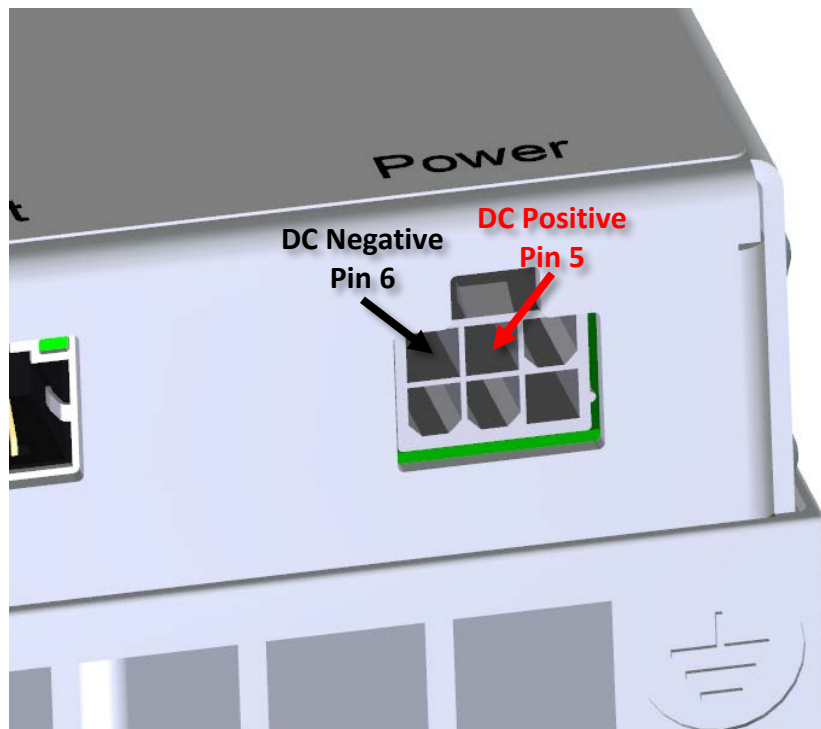


Figure 15: Fixed Gateway Module DC Power Connector Signals

DC power is supplied to the TTU Module through the RF cable connection to the Fixed Gateway.

2.8 RF Cable Installation

The Gateway installation will require connection to a GPS antenna and an ISM RF antenna. Antenna gain and type must respect the equipment specification. For the case of the fixed gateway, transmit power configuration is not a function of antenna type. The system maximum transmit power is configured assuming an antenna with the highest specified gain (8dBi) is used. If the 6dBi antenna is used, the radiated power is 2dB less. The RF connector interface to a cable is not generally water proof and must be taped to be used outdoors. TEKTELIC recommends taping with Scotch Wireless Weatherproofing Kit, WK-101. Follow the taping procedures outlined by the supplier of this tape system.

3 Radio Compliance Statements

Federal Communications Commission

This device complies with Part 15 of the FCC Rules. Operation is subject to the following two conditions:

1. This device may not cause harmful interference, and
2. This device must accept any interference received, including interference that may cause undesired operation.

Changes or modifications not expressly approved by the party responsible for compliance could void the user's authority to operate the equipment

This equipment has been tested and found to comply with the limits for a Class B digital device, pursuant to Part 15 of the FCC Rules. These limits are designed to provide reasonable protection against harmful interference in a residential installation. This equipment generates uses and can radiate radio frequency energy and, if not installed and used in accordance with the instructions, may cause harmful interference to radio communications. However, there is no guarantee that interference will not occur in a particular installation. If this equipment does cause harmful interference to radio or television reception, which can be determined by turning the equipment off and on, the user is encouraged to try to correct the interference by one of the following measures:

- Reorient or relocate the receiving antenna.
- Increase the separation between the equipment and receiver.
- Connect the equipment into an outlet on a circuit different from that to which the receiver is connected.
- Consult the dealer or an experienced radio/TV technician for help.

Notice applicable to the Pearl Fixed Gateway only:

Maximum antenna gain is 8 dBi and omnidirectional type. Antenna with maximum gain used for this transmitter must be installed to provide a separation distance of at least 21.4 cm (8.4 inches) from all persons. This product must be installed by trained RF technicians. Antenna types not included in Table 1-8, having a gain greater than the maximum gain indicated for that type, are strictly prohibited for use with this device.

The FCC label shall be visible from the outside of the end product, or the host device shall bear a second label stating: "Contains FCC ID: 2ALEPT0004438".

Industry Canada

This Device complies with Industry Canada License-exempt RSS standard(s). Operation is subject to the following two conditions:

1. This device may not cause interference, and
2. This device must accept any interference, including interference that may cause undesired operation of the device.

This radio transmitter (22504-T0004438) has been approved by Industry Canada to operate with the antenna types listed below with the maximum permissible gain indicated. Antenna types not included in this list, having a gain greater than the maximum gain indicated for that type, are strictly prohibited for use with this device.

The required antenna impedance is 50 ohms.

Only antenna with maximum gain of 5dBi can be used for the mobile gateway (tested). Only antenna with a maximum gain of 8dBi can be used for the fixed gateway.

Notice applicable to the Pearl Mobile Gateway only:

Antenna specified for this transmitter must be installed to provide a separation distance of at least 0.20 m from all persons. This product must be installed by trained RF technicians.'

Notice applicable to the Pearl Fixed Gateway only:

Maximum antenna gain is 8 dBi and omnidirectional type. Antenna with maximum gain used for this transmitter must be installed to provide a separation distance of at least 0.33 m from all persons. This product must be installed by trained RF technicians.

The IC label shall be visible from the outside of the end product, or the host device shall bear a second label stating: "Contains IC: 22504-T0004438".

4 Description du produit

4.1 Introduction

Ce Guide de l'utilisateur couvre deux systèmes. Un système est appelé la passerelle mobile qui se compose d'un module unique tandis que le deuxième système est appelé la passerelle fixe qui se compose de deux modules, le module de passerelle et le module TTU (Tower Top Unit). Tel qu'utilisé dans ce document, sauf indication contraire, le terme «passerelle» se référera au système Gateway qui comprend le module Gateway, le TTU dans le cas de la passerelle fixe et tous les accessoires tels que les câbles et les antennes, etc. Les composants individuels utilisent généralement le terme «module».

4.2 Overview

La Pearl Gateway est une station de base sans fil qui utilise la modulation LoRa ou FSK dans la bande ISM nord-américaine de 902 MHz - 928 MHz avec une opération TDD sur l'ensemble de la bande. LoRa est une norme sans fil à longue portée et faible puissance pour l'application Internet of Things (IoT) (<https://www.lora-alliance.org/>). La modulation FSK est propriétaire du client. La passerelle est conçue pour être conforme à la partie 15.247 de la FCC comme système de spectre de propagation de fréquence (FHSS) ou de transmission numérique (DTS). Le module dispose d'un seul émetteur capable d'atteindre approximativement +28 dBm maximum pour la passerelle fixe (conduit au port de l'antenne TTU) et d'environ +20 dBm sur le port de l'antenne de la passerelle mobile.

Le tableau 1 énumère le matériel du système Pearl.

Table 4-1: Pearl Gateway Maquette

Product Code	Description
T0004437	Pearl Mobile Gateway Module
T0004438	Pearl Fixed Gateway Module
T0004372	Pearl Tower Top Unit

La passerelle fixe est conçue pour fonctionner toujours avec le Tower Top Unit (TTU) qui contient également un LNA et amplifie le signal d'émission RF. Le TTU et l'antenne LNA sont alimentés à partir de la passerelle qui injecte une tension d'alimentation de polarisation sur le conducteur central d'alimentation de l'antenne RF. L'alimentation de l'antenne RF Gateway est protégée contre les conditions de surcharge et les conditions de court-circuit avec un circuit de protection interne auto-réinitialisation.

Les deux passerelles prennent en charge une antenne GPS active alimentée par l'alimentation de l'antenne GPS depuis la passerelle. L'alimentation de l'antenne GPS est protégée contre les conditions de surcharge et les conditions de court-circuit avec un circuit de protection auto-réinitialisation interne.

Les deux passerelles contiennent un certain nombre de ports pour la gestion des données, y compris l'USB et Ethernet.

La passerelle fixe contient également des entrées d'alarme binaires pour la gestion du site.

La figure 1 illustre la passerelle mobile tandis que la figure 2 illustre la passerelle fixe.



Figure 16: Pearl Mobile Gateway

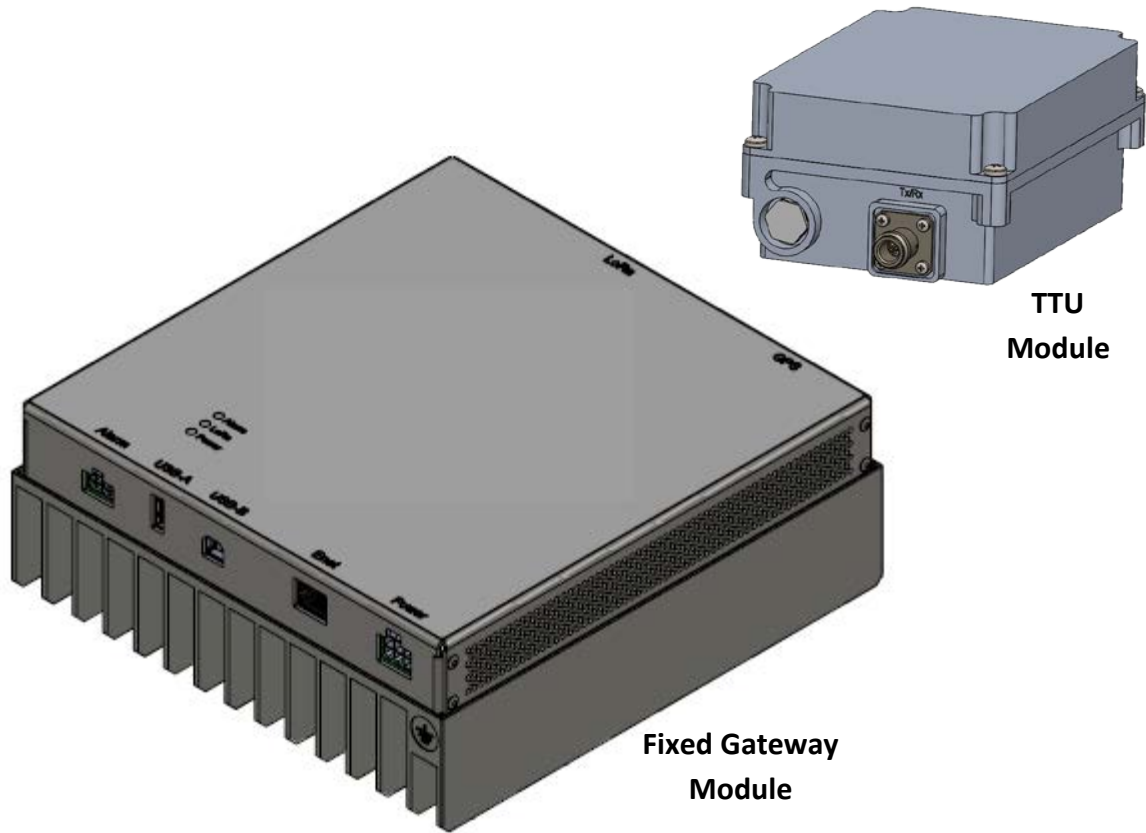


Figure 17: Pearl Fixed Gateway

4.3 Interfaces Externes

Les connecteurs d'interface du module de passerelle mobile sont listés dans le tableau 2 et illustrés à la figure 3.

Table 4-2: Connecteurs d'interface du module de passerelle mobile Pearl

Interface	Emplacement	Type de connecteur	Connecteur compatible
ISM Antenna Port	De face	TNC jack	Fiche TNC standard de l'industrie
GPS Antenna Port	De face	TNC jack	Fiche TNC standard de l'industrie
USB-A	De face	Récepteur USB type A	Connecteur standard USB type A de l'industrie
USB-B	De face	Récepteur USB type B	Connecteur standard USB type B de l'industrie

DC Power	De face	Connecteur en plastique circulaire fileté à 2 broches (CPC)	Shenzhen Chogori Technology Co., Ltd. p/n 33000111-02 or equivalent
Châssis Terre	De face	Visser avec patte	Patte standard unique pour la vis # 8-32

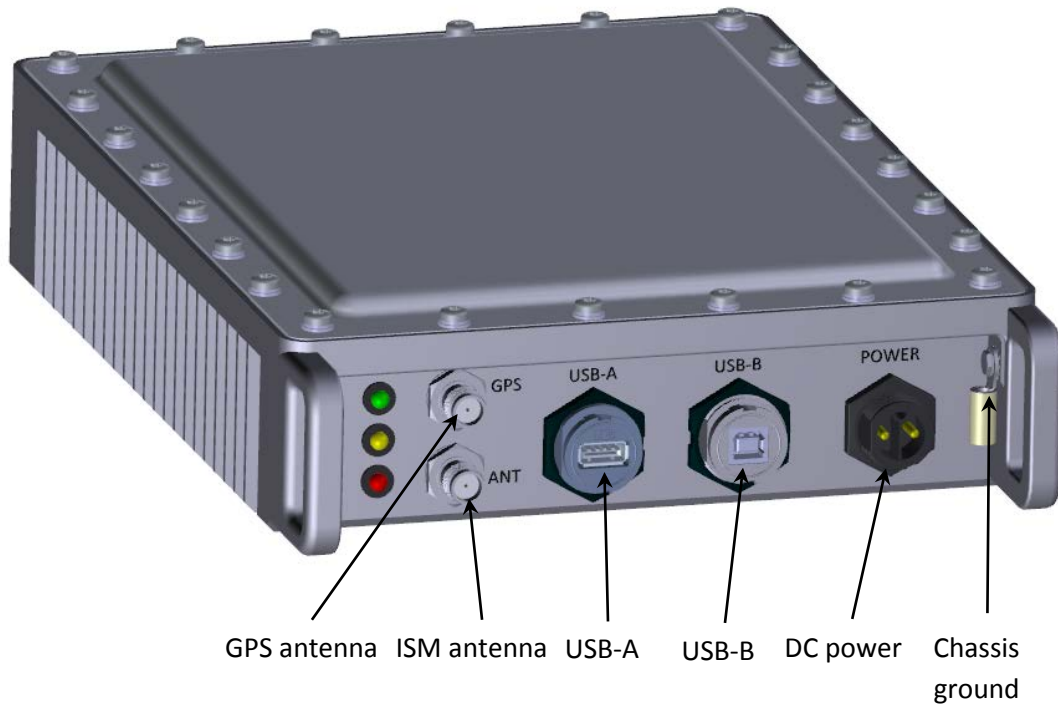


Figure 18: Pearl Mobile Gateway Module Interconnect

Les connecteurs d'interface du module de passerelle fixe sont listés dans le tableau 3 et illustrés à la figure 4.

Table 4-3: Connecteurs d'interface de module de passerelle fixe Pearl

Interface	Emplacement	Type de connecteur	Connecteur compatible
TTU interface Port	arrière	SMA jack	Fiche SMA standard de l'industrie
GPS Antenna Port	arrière	SMA jack	Fiche SMA standard de l'industrie
DC Power & alarms	De face	Molex Mini-fit 2x3 header	Molex Mini-fit 2x3 plug
Site Alarms	De face	Molex Mini-fit 2x4 header	Molex Mini-fit 2x4 plug

USB-A	De face	Récepteur USB type A	Connecteur standard USB type A de l'industrie
USB-B	De face	Récepteur USB type B	Connecteur standard USB type B de l'industrie
Ethernet	De face	RJ-45 socket	Fiche technique standard RJ-45
Châssis Terre	De face	Visser avec patte	Patte standard unique pour la vis # 8-32

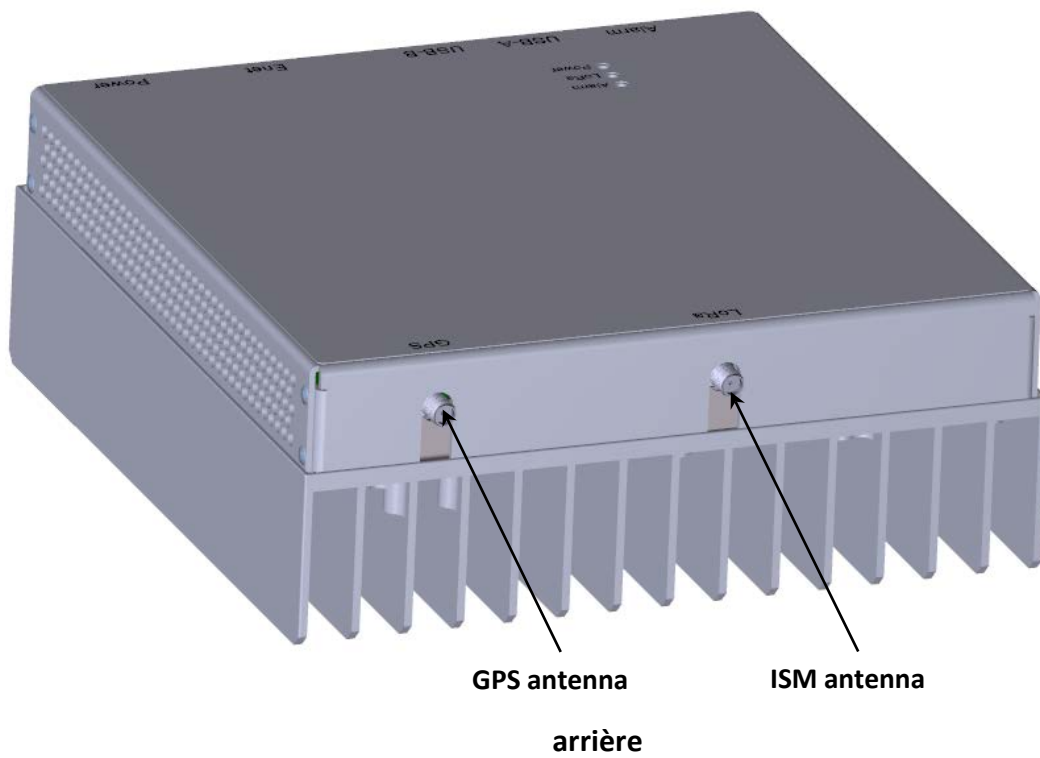
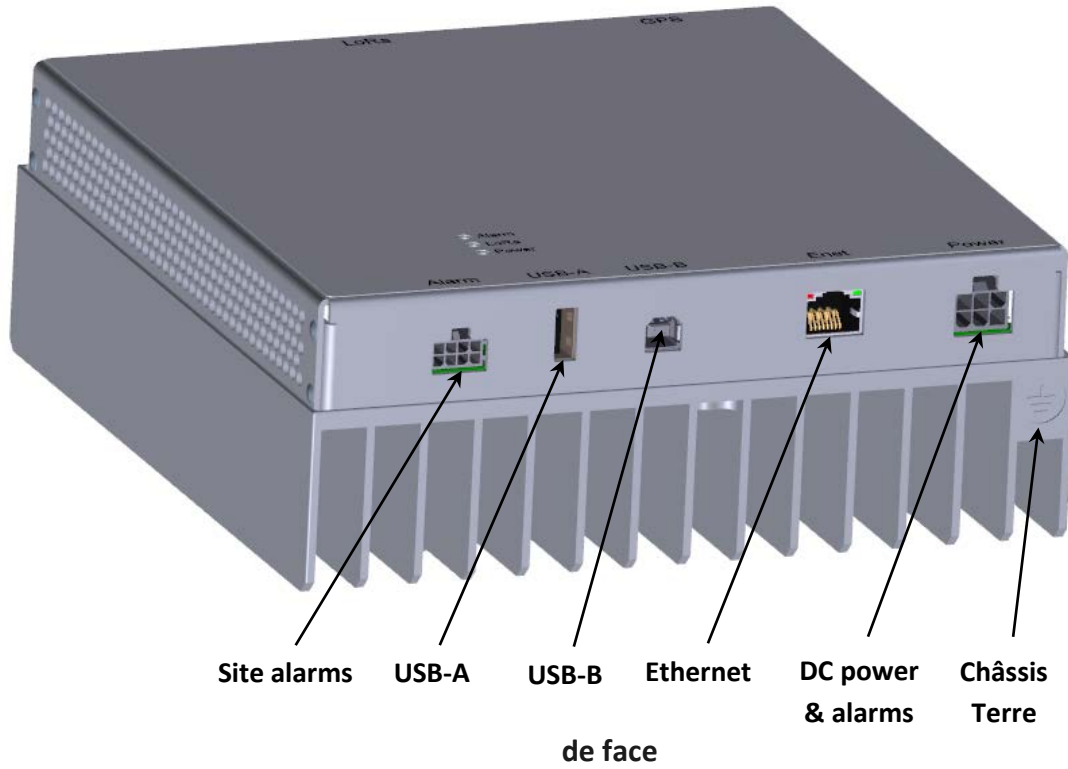


Figure 19: Pearl Fixed Gateway Module Interconnect

Les connecteurs d'interface du module TTU sont listés dans le tableau 4 et illustrés à la figure 5.

Table 4-4: Pearl TTU Module Interface Connectors

Interface	Emplacement	Type de connecteur	Connecteur compatible
ISM RF Antenna Port	haut	SMA jack	Fiche SMA standard de l'industrie
Gateway module interface Port	bas	SMA jack	Fiche SMA standard de l'industrie
Chassis (Earth) Ground	bas	Visser avec patte	Patte standard unique pour la vis # 8-32

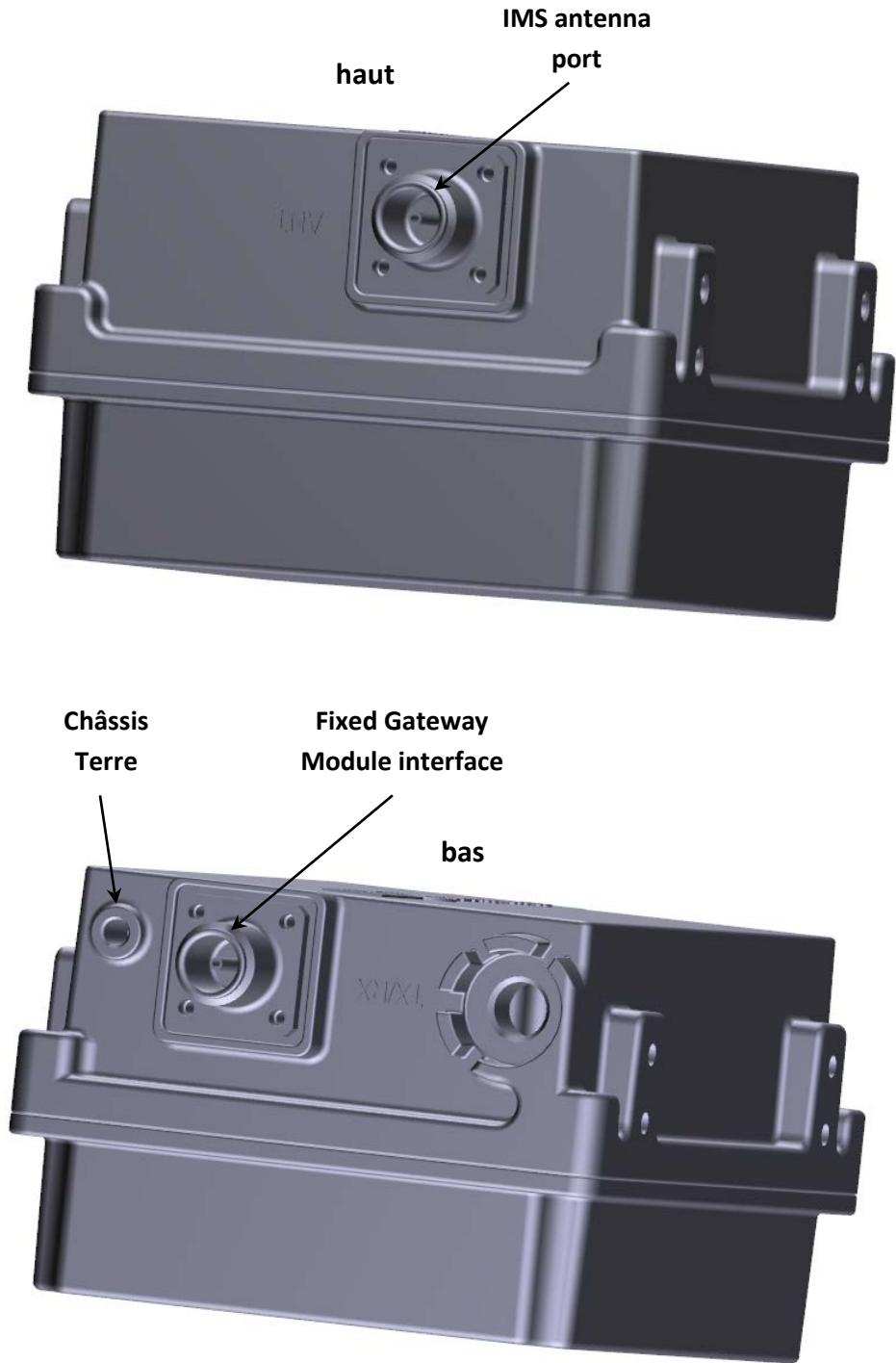


Figure 20: Pearl TTU Module Interconnect

4.4 Specifications

Les spécifications du module Pearl Mobile Gateway sont listées dans le tableau 5.

Table 4-5: Pearl Mobile Gateway Module Specifications

Attribute	Specification
Dimensions	218.8mm (8.6") wide x 72mm (2.8") deep x 303.8mm (12.0") tall
Poids	3.15 kg (6.95 lbs)
Température d'utilisation	-40°C to 60°C (-40°F to 140°F) Niveau ambiant au niveau de la mer, y compris le chargement solaire
Humidité relative	10% to 100%
Altitude de fonctionnement	Maximum 2,000 m (6,560 ft)
DC Power Input	12V DC nominal 10V to 15V DC operating range +/-16V DC no damage 30W maximum Maximum 20A input overcurrent protection.
ISM antenna output power	5V DC, 300mA maximum
GPS antenna output power	5V DC, 50mA maximum
Weather Tightness	Produit intérieur
Regulatory Compliance	CSA/UL 60950-1 FCC Pt. 15 Class B

The Pearl Fixed Gateway Module specifications are listed in Table 1-6.

Table 4-6: Pearl Fixed Gateway Module Specifications

Attribute	Specification
Dimensions	189.4mm (7.5") wide x 77mm (3.0") deep x 197.8mm (7.8") tall
Poids	1.71 kg (3.76 lbs)
Température d'utilisation	-40°C to 70°C (-40°F to 158°F) Niveau ambiant au niveau de la mer, y compris le chargement solaire
Humidité relative	10% to 100%
Altitude de fonctionnement	Maximum 2,000 m (6,560 ft)

DC Power Input	12V DC nominal 10V to 15V DC operating range +/-16V DC no damage 40W maximum Maximum 20A input overcurrent protection.
TTU port output power	12V DC, 1.5A maximum
GPS antenna output power	5V DC, 50mA maximum
Weather Tightness	Produit intérieur
Regulatory Compliance	CSA/UL 60950-1 FCC Pt. 15 Class B

Les spécifications du module Pearl TTU sont listées dans le tableau 7.

Table 4-7: Pearl TTU Module Specifications

Attribute	Specification
Dimensions	222.2mm (8.7") wide x 101mm (4.0") deep x 287.3mm (11.3") tall
Poids	2.1 kg (4.6 lbs)
Température d'utilisation	-40°C to 65°C (-40°F to 149°F) Niveau ambiant au niveau de la mer, y compris le chargement solaire
Humidité relative	10% to 100%
Altitude de fonctionnement	Maximum 3,048 m (10,000 ft)
Surge protection	20kV, 1.2/50us combination waveform
Weather Tightness	IP67
Regulatory Compliance	CSA/UL 60950-1 & CSA/UL 60950-22 FCC Pt. 15 Class B

Cet émetteur radio (Mobile Gateway IC: 22504-T0004437, IC de la passerelle fixe: 22504-T0004438) a été approuvé par Industrie Canada pour fonctionner avec les types d'antennes énumérés ci-dessous avec le gain maximal admissible indiqué. Les types d'antenne non inclus dans cette liste, ayant un gain supérieur au gain maximal indiqué pour ce type, sont strictement interdits pour être utilisés avec cet appareil

Les antennes ISM spécifiées sont listées dans le tableau Table 4-8.

Table 4-8 Antennes ISM

Type de passerelle	IC: Nombre	Fournisseur d'antenne	numéro de modèle	Gain (dBi)
Passerelle mobile	IC: 22504-T0004437	PCTel	BMUF9115	5
Passerelle fixe + TTU	IC: 22504-T0004438	L-Com	HG908U-PRO	8
Passerelle fixe + TTU	IC: 22504-T0004438	L-Com	HGV906U	6

5 Installation

5.1 Précautions de sécurité

- L'installation, l'exploitation et la maintenance de Pearl Gateway ne doivent être effectuées que par une personne formée qui connaît tous les dangers inhérents.
- La passerelle Pearl doit être installée dans un lieu d'accès restreint (de sorte que le contact de la passerelle par des personnes non formées n'est pas probable).
- La Pearl Gateway peut devenir chaude au toucher pendant le fonctionnement normal à des températures ambiantes élevées. La température de surface de l'enceinte peut atteindre 90 ° C.
- La passerelle Pearl n'a pas de pièces internes compatibles avec le terrain. Le module Gateway doit uniquement être ouvert par un centre de service approuvé.
- Toutes les pratiques d'installation doivent être conformes aux codes électriques locaux et nationaux.
- Ne travaillez pas sur le système pendant les périodes d'activité éclairante.
- La Pearl Gateway est considérée comme un équipement connecté en permanence. La connexion terrestre de terre de protection au châssis est toujours nécessaire.
- Assurez-vous que la connexion de terre de protection Pearl Gateway est correctement terminée avant la connexion de toute autre interface.
- Le Pearl Gateway TTU contient une suppression de surtension primaire sur les ports RF. Les protecteurs de l'éclairage primaire ont la possibilité de dériver l'énergie de la lumière sur le sol qui comprend le châssis. Assurez-vous que la connexion Terre de protection est toujours en place.
- Assurez-vous que la passerelle Pearl, y compris le TTU et ses antennes et structures de support, sont correctement sécurisées pour éliminer tout risque physique pour les personnes ou les biens. La passerelle, y compris le TTU, doit être montée de manière sécurisée conformément aux instructions de montage avant toute connexion et fonctionnement du câble.
- La passerelle Pearl ne contient pas de dispositif de déconnexion de l'alimentation; Un périphérique de déconnexion facilement accessible doit être intégré à la passerelle.
- La passerelle Pearl doit être fournie par un dispositif de protection contre les surintensités d'entrée d'au plus 20 A. La protection contre les surintensités doit avoir la capacité

d'interruption de courant appropriée pour la source d'alimentation et doit être incorporée dans le (s) conducteur (s) non connecté la fourniture.

- La broche positive d'entrée CC doit être au potentiel positif par rapport à la broche négative DC pour que la passerelle fonctionne. Si la polarité est inversée, l'appareil ne subit aucun dommage mais ne fonctionnera pas tant que la polarité n'est pas corrigée.
- La source d'alimentation DC Pearl Gateway doit répondre aux exigences SELV.

5.2 Déballage et inspection

Ce qui suit devrait être pris en compte lors du déballage d'une nouvelle Pearl Gateway.

Inspectez le carton d'expédition et signaler tout dommage important à TEKTELIC.

Le déballage doit être effectué dans un endroit propre et sec, si possible.

Ne jetez pas la boîte d'expédition ou les inserts en mousse car ils seront nécessaires si une unité est retournée pour réparation ou reconfiguration.

5.3 Équipement requis pour l'installation

Les outils suivants sont nécessaires pour installer le système Pearl Gateway:

1. Une prise impériale et métrique avec jeu Torx et une clé dynamométrique.
2. Composé anti-oxydant (NO-OX-ID, Penetrox, Noalox, Ox-Gard ou équivalent).
3. Une petite brosse métallique ou un émeri.
4. Un chiffon propre.
5. Kit de ruban étanche aux intempéries pour les connecteurs RF (Scotch Wireless Weatherproofing Kit, WK-101 recommandé).
6. Quatre vis M4 avec matériel de verrouillage pour le montage de la passerelle (longueur selon l'application, voir la section suivante).
7. Quatre vis M8 avec matériel de verrouillage pour le montage TTU selon l'application (voir la section suivante).

5.4 Montage Pearl Gateway

Les modules Pearl Gateway sont conçus pour être montés sur une surface plane en utilisant des vis inox M4 x 0,7 fournies par le site avec un matériel de verrouillage, un sur chacun des quatre points de montage, comme illustré à la Figure 6 pour le module Mobile Gateway et la Figure 7 pour la passerelle fixe Module. Ces quatre vis de montage doivent traverser des trous pré-perçés dans la surface de montage. Le motif de forage de forage est sur un carré comme indiqué sur la figure 6 et la figure 7. La taille de l'aneth doit être sélectionnée pour un léger jeu sur les vis M4.

Le montage du module Gateway nécessite l'accès aux deux côtés de la surface de montage; Cela peut nécessiter deux personnes dans les cas où la surface de montage est grande.

La longueur de la vis de montage M4 doit être déterminée en fonction de l'épaisseur de la surface de montage. Après avoir accepté le matériel de verrouillage et les épaisseurs de surface de montage, les vis de montage M4 doivent marcher dans le châssis de la passerelle d'au moins 5 mm mais pas plus de 10 mm.

L'orientation de montage du module Gateway doit être telle que les ailettes du châssis sont verticales.

Assurez-vous que la surface et la structure connexe à laquelle le module est monté sont sécurisées et capables de supporter une charge morte d'au moins 136 kg (300 lbs).

Assurez-vous un espace libre suffisant autour des connecteurs de cloisons pour l'accès et l'entrée des câbles.

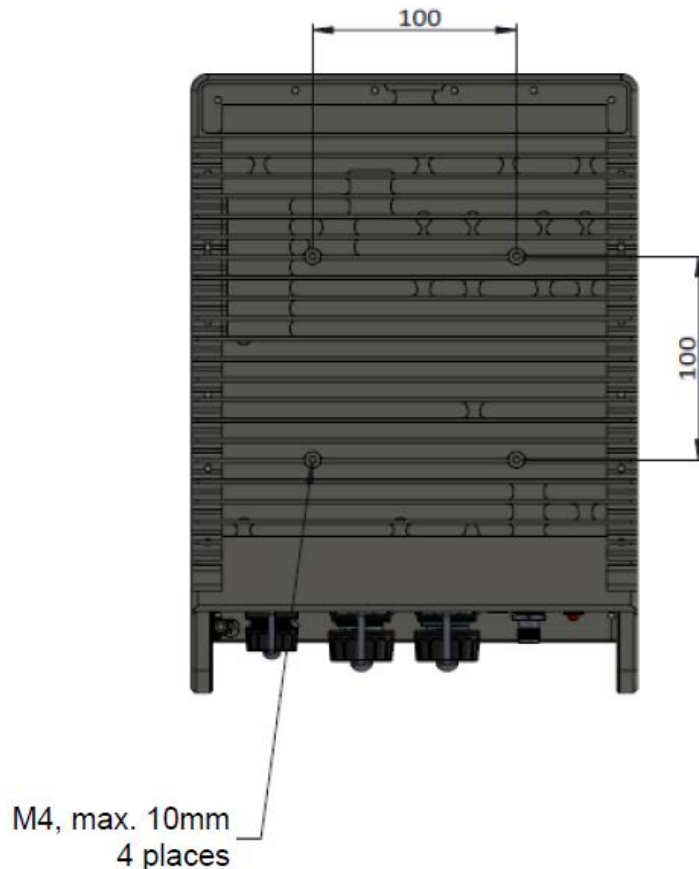


Figure 21: Points de montage du module de passerelle mobile Pearl

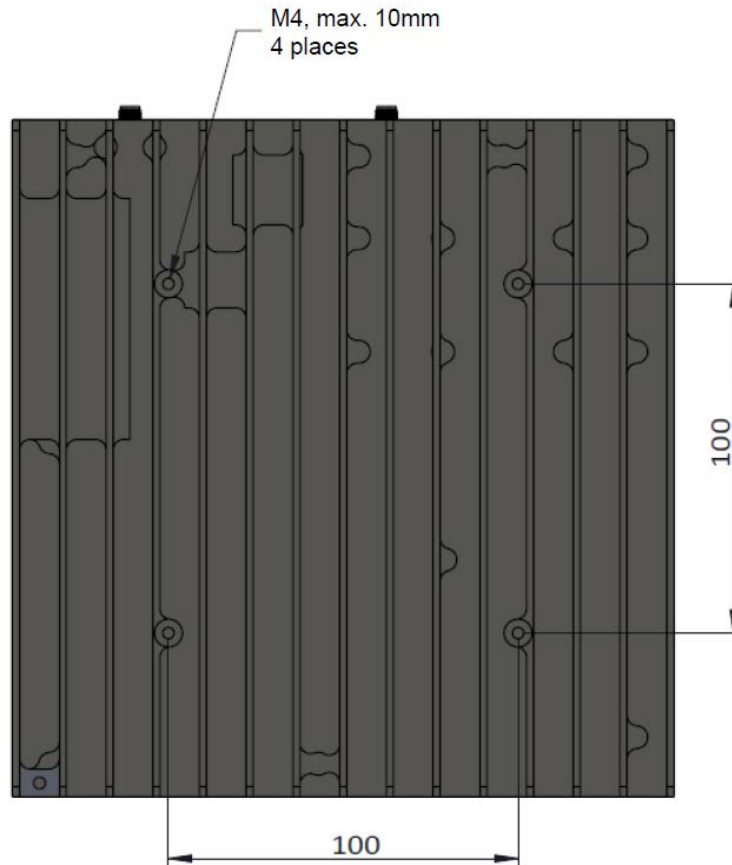


Figure 22: Pearl Fixed Gateway Module Points de montage

5.5 Montage Pearl TTU

Le module Pearl TTU est conçu pour être monté sur une surface plane ou sur un pôle en utilisant les supports de montage fournis. Le TTU peut être monté avec deux des petits supports comme illustré à la Figure 9 ou avec un petit support et un support d'antenne comme illustré à la Figure 10. Chaque support doit être fixé au module TTU à l'aide de quatre des M5 x 0,8-10mm fournis. Des vis en acier inoxydable aux emplacements illustrés à la figure 8. Une fois les supports attachés au module TTU, le module peut être monté.

Pour monter le TTU avec le support sur une surface plane, quatre boulons M8 en acier inoxydable fournis par le site sont nécessaires, deux à chaque extrémité de chaque support, comme illustré à la figure 8 et à la figure 9. Les boulons M8 doivent être sélectionnés en fonction de la surface de montage spécifique au site Matériel et doit inclure le matériel de verrouillage.

Pour monter le TTU avec un support sur un poteau, deux sangles de poteau en acier inoxydable fournies par le site sont nécessaires, un sur chaque support de montage en boucle dans les fentes de la sangle comme indiqué sur la figure 8 et la figure 9.

L'orientation de montage TTU doit être verticale avec le bouchon d'évent qui pointe vers la terre.

Assurez-vous que la surface ou le pôle et la structure connexe à laquelle le module est monté sont sécurisés et capables de supporter une charge morte d'au moins 136 kg (300 lbs).

Assurez-vous un espace libre suffisant autour des connecteurs de cloisons pour l'accès et l'entrée des câbles.

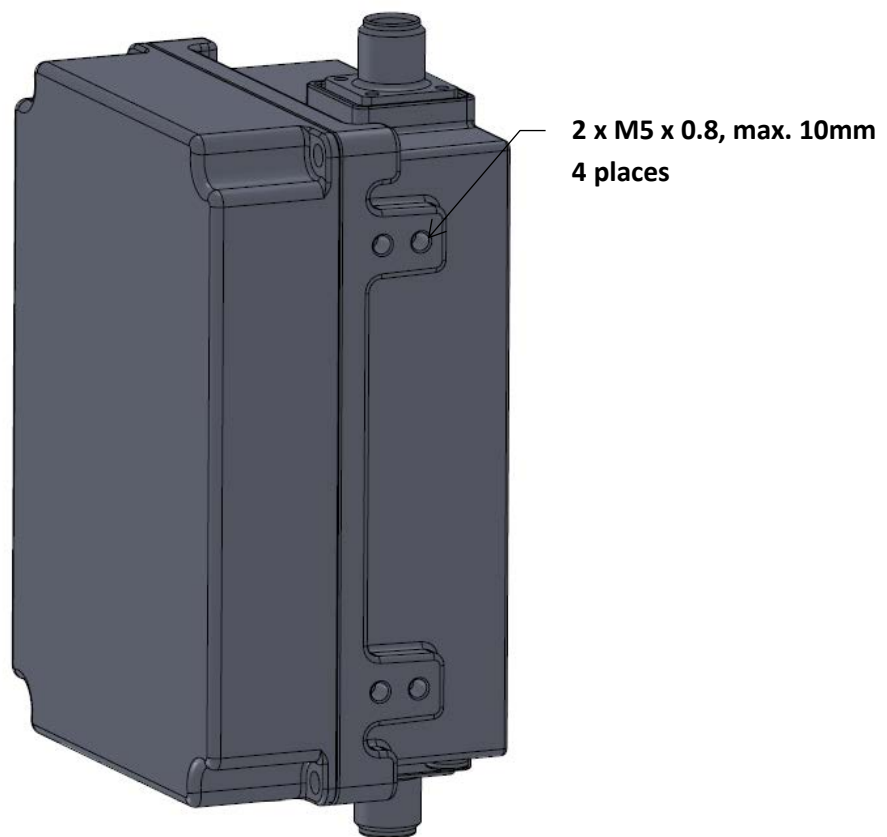


Figure 23: Points de montage du module TTU

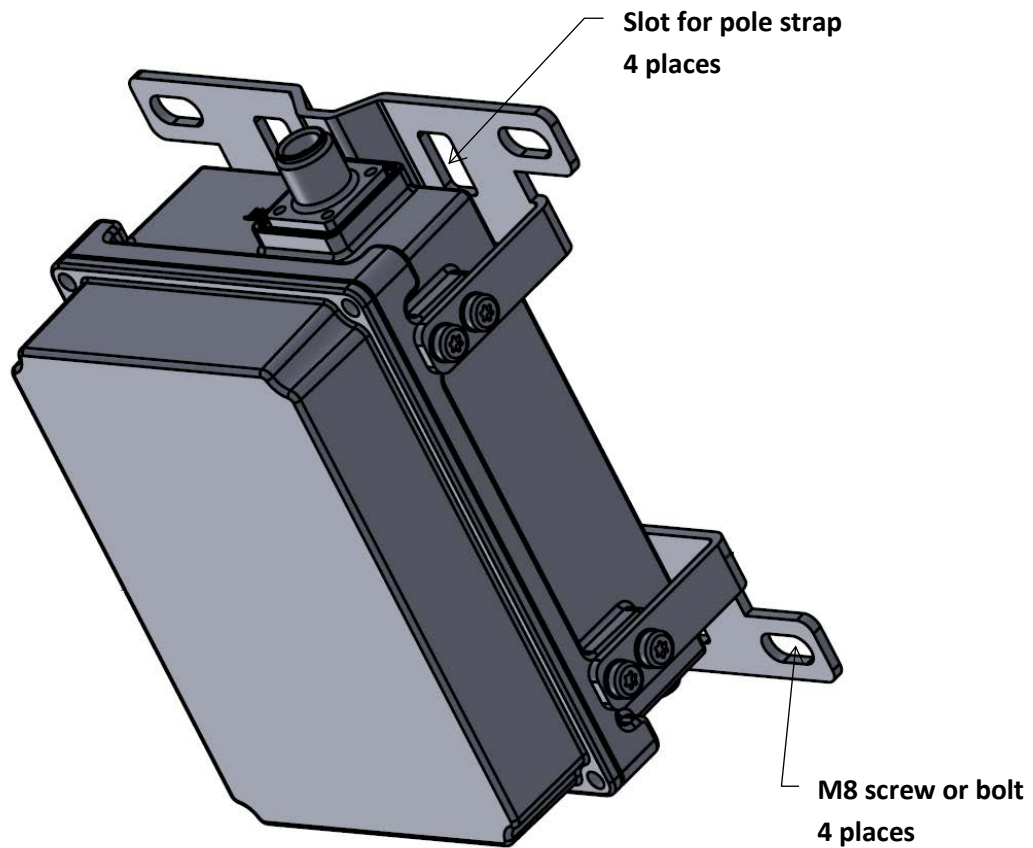


Figure 24: Montage du module TTU avec de petits supports

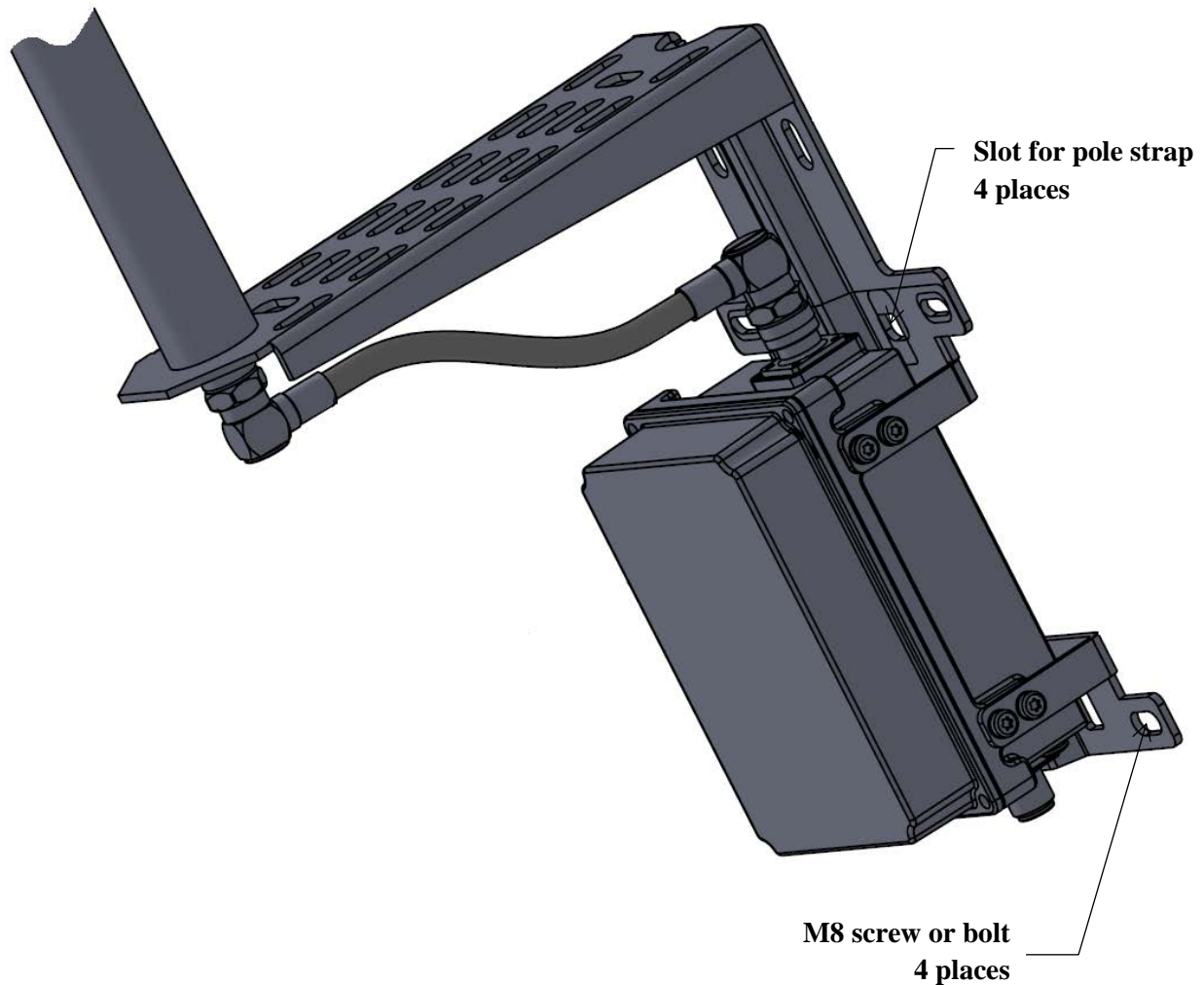


Figure 25: Montage du module TTU avec un support d'antenne petit et un support d'antenne

5.6 Installation par câble à la terre

La Pearl Gateway est considérée comme un équipement connecté en permanence et nécessite un conducteur de terre de protection (PEG) connecté en permanence pour chaque module. La connexion Terre protectrice est réalisée à l'aide d'une vis n ° 8-32 à l'aide d'une patte unique à l'intérieur de l'industrie, comme illustré à la figure 6 pour le module de la passerelle mobile, la figure 6 pour le module de la passerelle fixe et la figure 6 pour le module TTU.

La jauge de câble de terre recommandée est le minimum de # 10 AWG.

Le système de mise à la terre Pearl Gateway doit respecter les codes électriques locaux et nationaux. Le conducteur de terre de protection terrestre terminé au niveau du point de terre

est obligatoire et doit être la première connexion à la passerelle Pearl pendant l'installation. Le routage et la terminaison appropriés de ce câble sont essentiels aux performances EMI robustes; Dans des installations à forte susceptibilité, tous les efforts doivent être faits pour minimiser l'impédance de connexion au sol

Les étapes d'installation du câble au sol sont les suivantes:

Débarrassez légèrement la surface de la zone de mise à la terre du châssis (la zone libre de peinture autour du trou de la vis de terre) avec une brosse métallique fine ou un émeri pour éliminer la couche d'oxyde qui peut s'être formée.

Utilisez un chiffon propre pour éliminer les débris de cette surface.

Enduire immédiatement la surface de contact avec une fine couche de composé anti-oxydant.

Installez le câble de masse avec sa patte de vis sur le point de masse du châssis à l'aide d'une vis n ° 8-32 avec rondelles de serrage plates et à étoile, serrées à 2,2 Nm (20 lb. lb).

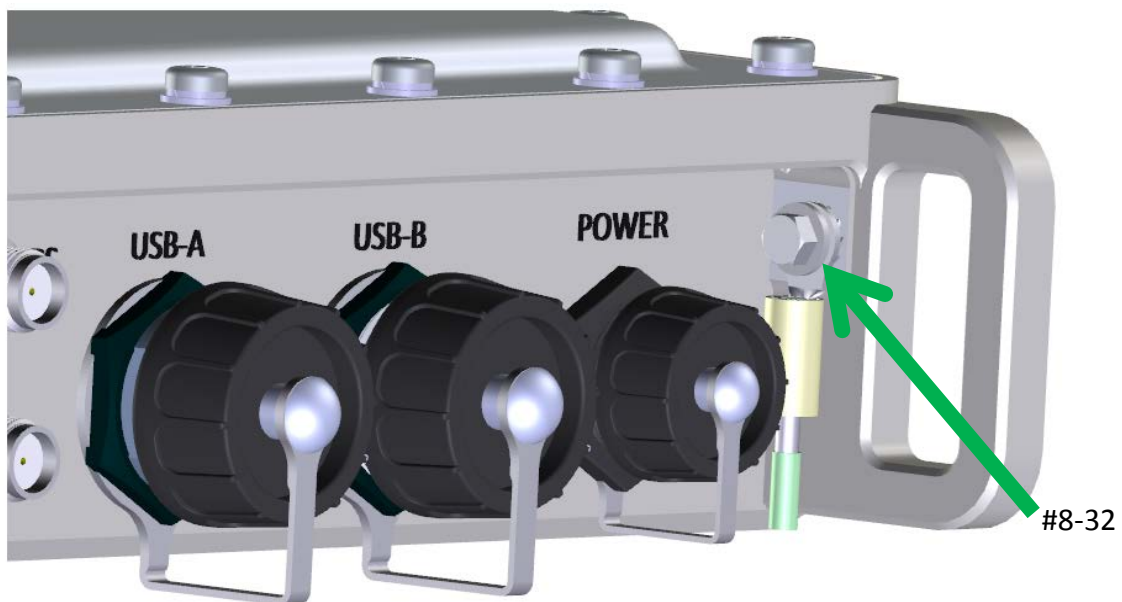


Figure 26: Module de passerelle mobile Pearl Ground Point

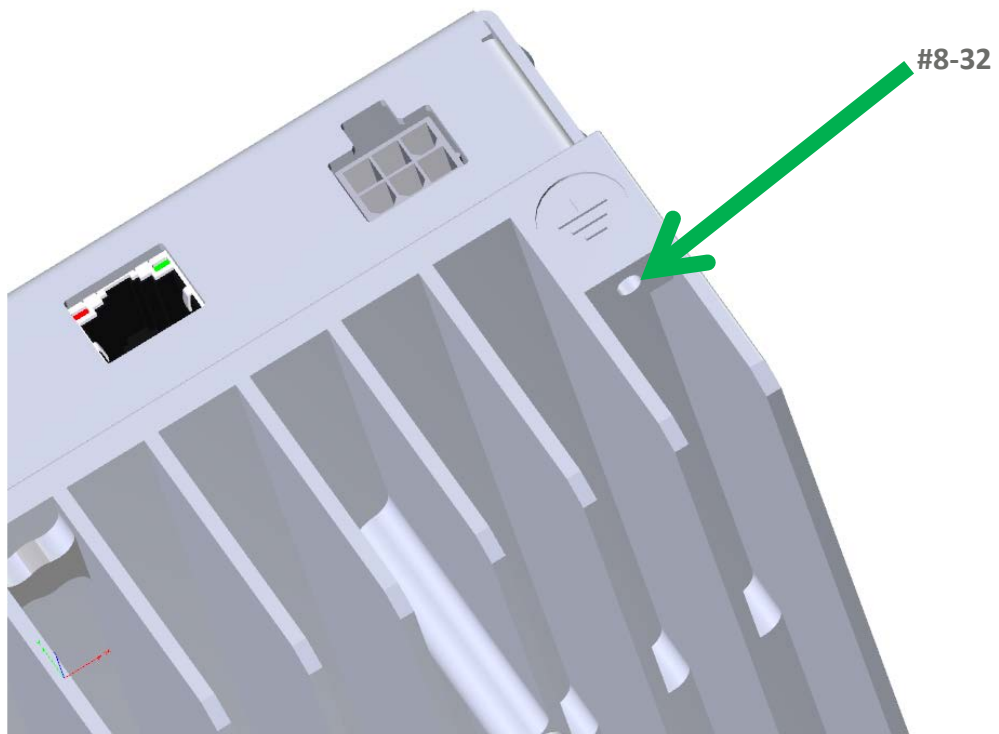


Figure 27: Pearl Fixed Gateway Module Ground Point



Figure 28: Pearl TTU Module Ground Point

5.7 Installation du câble d'alimentation CC

L'entrée de courant CC du module Gateway est isolée du châssis (terre). L'un des conducteurs de l'alimentation CC est normalement référencé à l'extérieur de la Pearl Gateway, habituellement à la source d'alimentation par convention.

Un dispositif de protection contre les surtensions d'entrée d'au plus 20 A et avec la capacité d'interruption de courant appropriée pour la source d'alimentation doit être incorporé dans le (s) conducteur (s) non connecté (s) de l'alimentation CC.

L'alimentation en courant continu est fournie au module de passerelle mobile via un connecteur en plastique circulaire à deux broches (CPC). Le connecteur CPC accouplé doit être conforme au tableau 2 et doit respecter la polarité identifiée dans la figure 14.

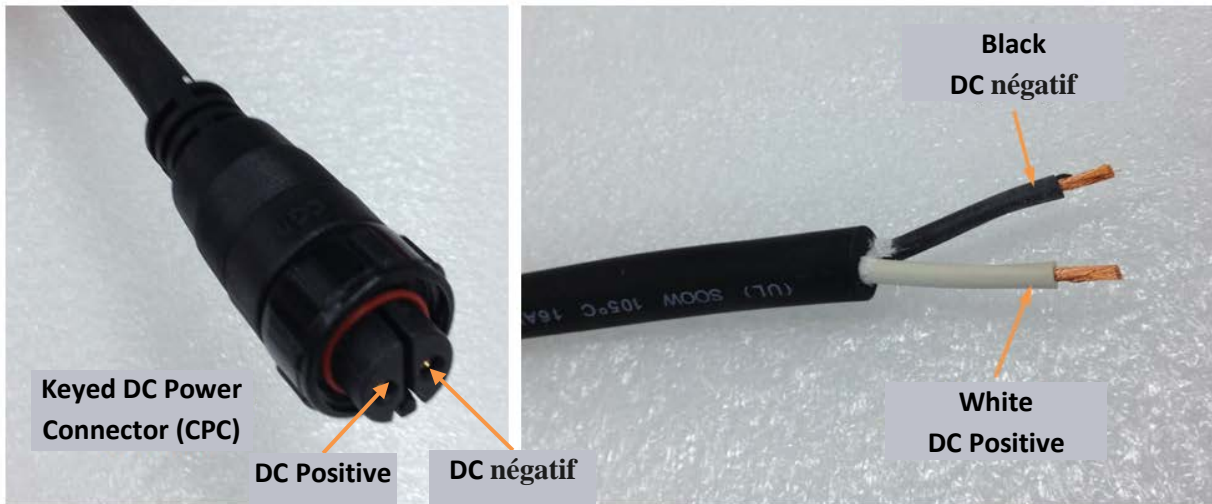


Figure 29: Module de la passerelle mobile Signaux du connecteur d'alimentation CC

L'alimentation CC est fournie au module de la passerelle fixe à travers deux broches d'un connecteur Molex à six broches. Le connecteur d'accouplement doit être conforme au tableau 3 et doit suivre l'assignation de signal identifiée à la figure 15.

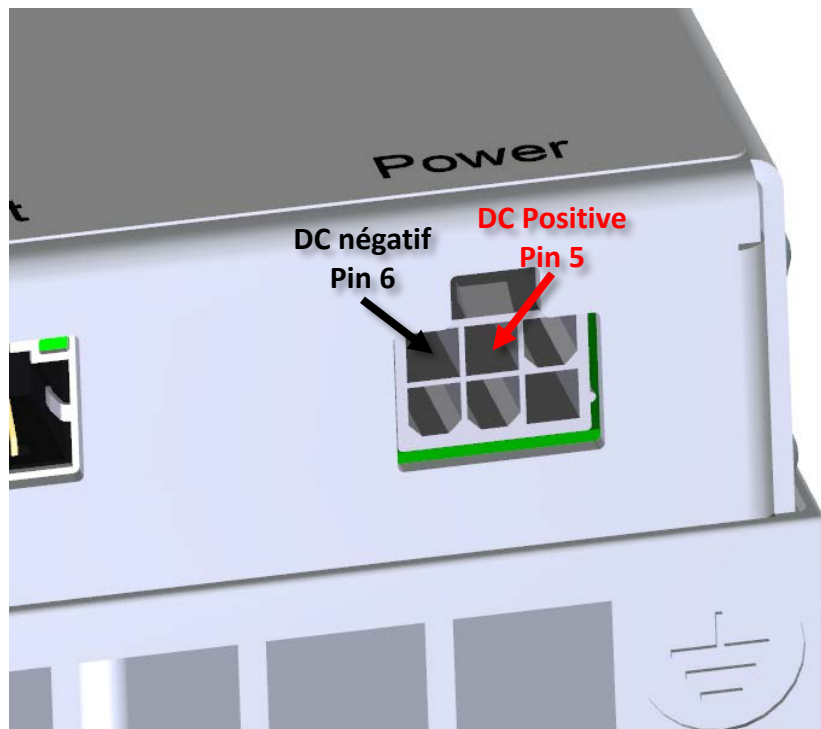


Figure 30: Module de connexion fixe Signaux du connecteur d'alimentation CC

L'alimentation CC est fournie au module TTU via la connexion par câble RF à la passerelle fixe.

5.8 Installation du câble RF

L'installation de la passerelle nécessitera la connexion à une antenne GPS et à une antenne RF ISM. Le gain et le type d'antenne doivent respecter les spécifications de l'équipement. Pour le cas de la passerelle fixe, la configuration de la puissance d'émission n'est pas fonction du type d'antenne. La puissance d'émission maximale du système est configurée en supposant qu'une antenne avec le gain spécifié le plus élevé (8dBi) est utilisée. Si l'antenne 6dBi est utilisée, la puissance rayonnée est inférieure de 2dB. L'interface du connecteur RF sur un câble n'est généralement pas étanche et doit être enregistrée pour être utilisée à l'extérieur. TEKTELIC recommande d'enregistrer avec Scotch Wireless Weatherproofing Kit, WK-101. Suivez les procédures d'enregistrement décrites par le fournisseur de ce système de bande.

6 Déclarations de conformité radio

Industrie Canada

Cet appareil est conforme aux normes RSS exemptées de licence d'Industrie Canada. L'opération est soumise aux deux conditions suivantes:

1. Cet appareil ne doit pas provoquer d'interférence, et
2. Cet appareil doit accepter toute interférence, y compris les interférences pouvant entraîner un fonctionnement indésirable de l'appareil.

Cet émetteur radio (22504-T0004438) a été approuvé par Industrie Canada pour fonctionner avec les types d'antennes indiqués ci-dessous avec le gain maximal admissible indiqué. Les types d'antenne non inclus dans cette liste, ayant un gain supérieur au gain maximal indiqué pour ce type, sont strictement interdits pour être utilisés avec cet appareil.

L'impédance d'antenne requise est de 50 ohms.

Seule une antenne avec un gain maximal de 5dBi peut être utilisée pour la passerelle mobile (testée). Seule une antenne avec un gain maximal de 8dBi peut être utilisée pour la passerelle fixe.

Avis applicable uniquement à la passerelle mobile Pearl:

L'antenne spécifié pour cet émetteur doit être installée à une distance de séparation d'au moins 0,2 m de toute personne. Ce produit doit être installé par des techniciens spécialisés en Radio Fréquence.

Avis applicable uniquement à la passerelle fixe Pearl:

Le gain maximal d'antenne est de 8 dBi et de type omnidirectionnel. L'antenne avec le gain maximal utilisé pour cet émetteur doit être installée à une distance de séparation d'au moins 0,33 m de toute personne. Ce produit doit être installé par des techniciens spécialisés en Radio Fréquence.

L'étiquette IC doit être visible de l'extérieur du produit final, ou le dispositif hôte doit porter une deuxième étiquette indiquant: "Contient IC: 22504-T0004438".