

---

**Tenda<sup>®</sup>**

**150Mbps Wireless N Travel Router**

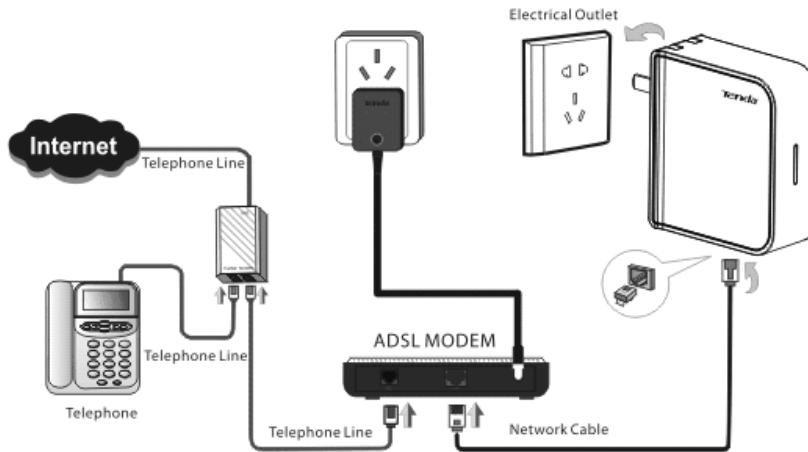


**Installation Guide**  
**A5**

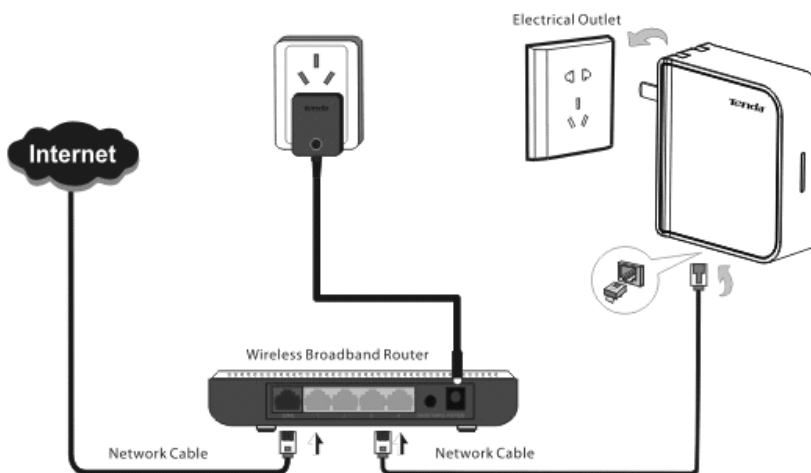
---

## Step One: Connect A5 to

### your DSL modem



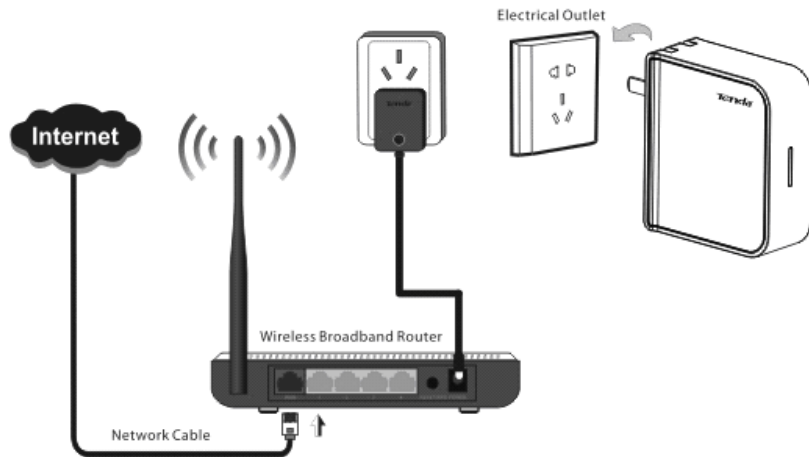
### an existing wired network



---

---

## or a wireless networks



### Caution

The product does not operate correctly with a wrong voltage rating. Keep it away from heat sources and electrical appliances (ex. microwave oven) for better performance. In case of thunderstorm weather, power it off to avoid potential damage.

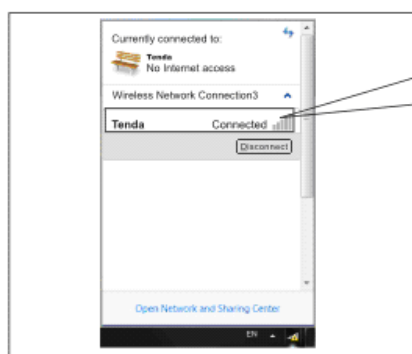
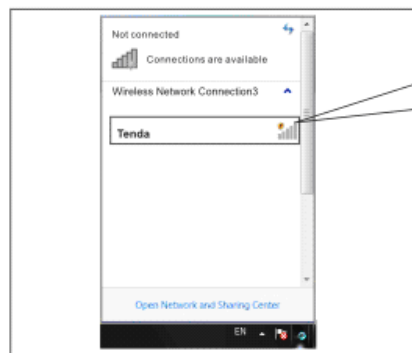
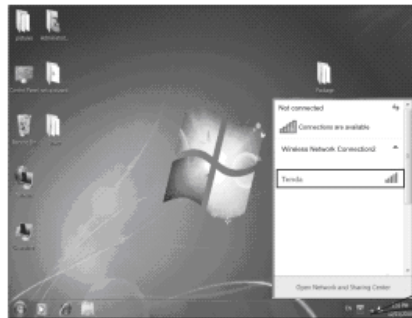
### Check your connection:

A solid light indicates the product is starting while a flashing light indicates that it has started and is operating correctly.

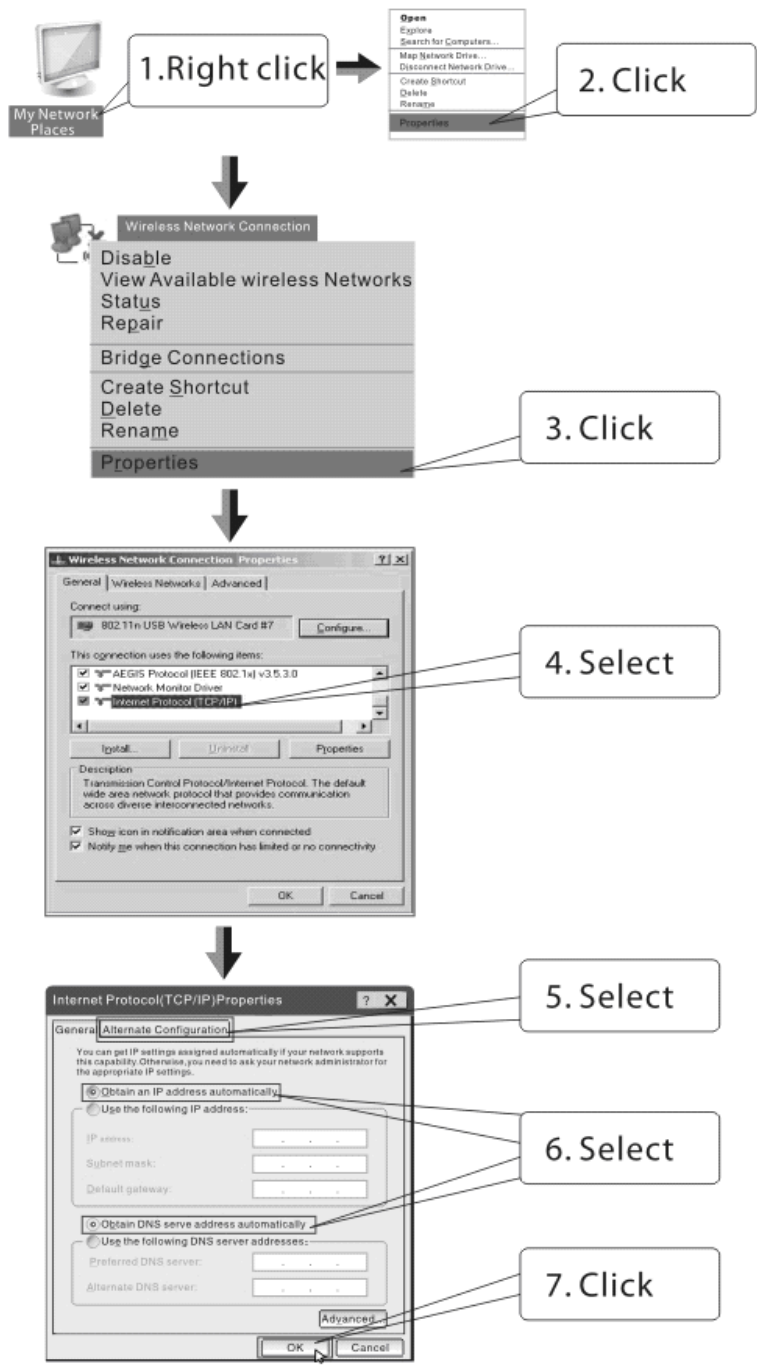
---

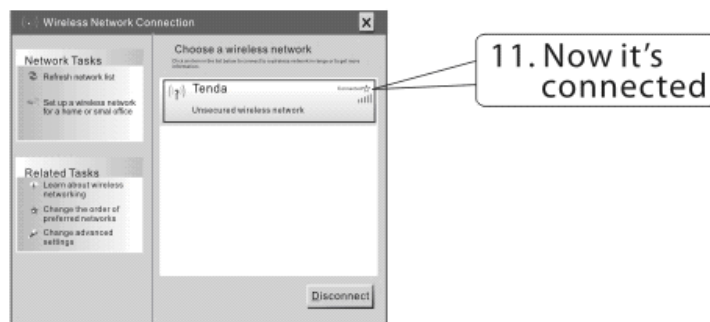
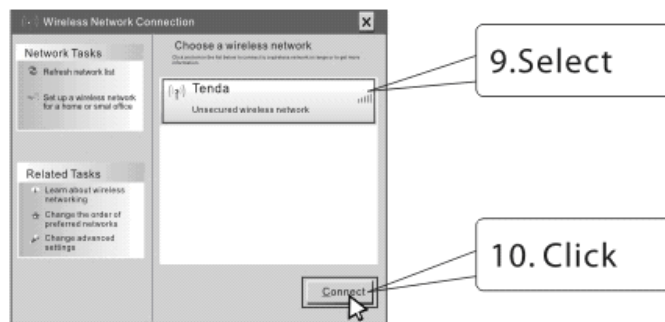
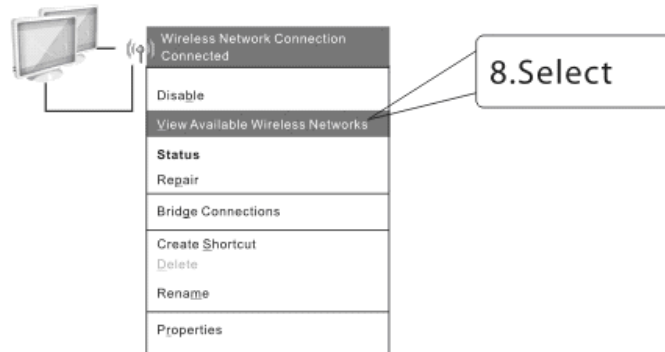
# Step Two: Make a connection to your PC

## In Windows 7



# In Windows XP





## Step Three: Configure your Internet access

**Important:**

If you connect to an existing wired network(DHCP).no configuration is needed.  
If you connect to a modem, follow instruction below, if connect to a WISP, refer to the user manual.

1. Press Enter

2. Enter "admin"

3. Click

4. Click

5. Enter username and password given by ISP

6. Set up security key

7. You Shall Enjoy Internet Surfing Now.

---

## FCC STATEMENT

This device complies with Part 15 of the FCC Rules. Operation is subject to the following two conditions: (1) This device may not cause harmful interference, and (2) this device must accept any interference received, including interference that may cause undesired operation.

This equipment has been tested and found to comply with the limits for a Class B digital device, pursuant to Part 15 of the FCC Rules. These limits are designed to provide reasonable protection against harmful interference in a residential installation. This equipment generates, uses and can radiate radio frequency energy and, if not installed and used in accordance with the instructions, may cause harmful interference to radio communications. However, there is no guarantee that interference will not occur in a particular installation. If this equipment does cause harmful interference to radio or television reception, which can be determined by turning the equipment off and on, the user is encouraged to try to correct the interference by one of the following measures:

- Reorient or relocate the receiving antenna.
- Increase the separation between the equipment and receiver.
- Connect the equipment into an outlet on a circuit different from that to which the receiver is connected.
- Consult the dealer or an experienced radio/TV technician for help.

FCC Caution: Any changes or modifications not expressly approved by the party responsible for compliance could void the user's authority to operate this equipment.

This transmitter must not be co-located or operating in conjunction with any other antenna or transmitter.

### **RADIATION EXPOSURE STATEMENT:**

This equipment complies with FCC radiation exposure limits set forth for an uncontrolled environment. This equipment should be installed and operated with minimum distance 20cm between the radiator & your body.



---

### RTTE STATEMENT

This device is intended for home and office use in all EU countries (and other countries following the EU directive 1999/5/EC) without any limitation except for the countries mentioned below:

Country	Restriction	Reason/remark
France	Outdoor use limited to 10 mW e.i.r.p. within the band 2454-2483.5 MHz.	Military Radiolocation use. Refarming of the 2.4 GHz has been ongoing in recent years to allow current relaxed regulation. Full implementation planned 2012
Italy	None	For private use, a general authorisation is required if WAS/RLAN's are used outside own premises. For public use, a general authorisation is required
Norway	Implemented	This subsection does not apply for the geographical area within a radius of 20 km from the centre of Ny-Ålesund
Russian Federation	None	Indoor applications

Hereby, [Shenzhen Tenda Technology Co., Ltd, Address: Tenda Industrial Park, No. 34-1, Shilong Rd., Shiyan Town, Bao'an District, Shenzhen, P.R.China 518108], declares that this **[A5, Wireless N Travel Router]** is in compliance with the essential requirements and other relevant provisions of Directive 1999/5/EC.