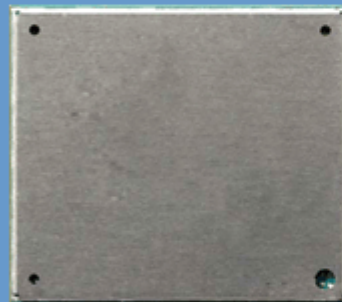




CINTERION
a Gemalto company

PXS8

Version: 00.110a
DocId: PXS8_HIO_v00.110a



Hardware Interface Overview

Document Name: **PXS8 Hardware Interface Overview**
Version: **00.110a**
Date: **2012-06-27**
DocId: **PXS8_HIO_v00.110a**
Status **Confidential / Preliminary**

GENERAL NOTE

THE USE OF THE PRODUCT INCLUDING THE SOFTWARE AND DOCUMENTATION (THE "PRODUCT") IS SUBJECT TO THE RELEASE NOTE PROVIDED TOGETHER WITH PRODUCT. IN ANY EVENT THE PROVISIONS OF THE RELEASE NOTE SHALL PREVAIL. THIS DOCUMENT CONTAINS INFORMATION ON CINTERION PRODUCTS. THE SPECIFICATIONS IN THIS DOCUMENT ARE SUBJECT TO CHANGE AT CINTERION'S DISCRETION. CINTERION WIRELESS MODULES GMBH GRANTS A NON-EXCLUSIVE RIGHT TO USE THE PRODUCT. THE RECIPIENT SHALL NOT TRANSFER, COPY, MODIFY, TRANSLATE, REVERSE ENGINEER, CREATE DERIVATIVE WORKS; DISASSEMBLE OR DECOMPILE THE PRODUCT OR OTHERWISE USE THE PRODUCT EXCEPT AS SPECIFICALLY AUTHORIZED. THE PRODUCT AND THIS DOCUMENT ARE PROVIDED ON AN "AS IS" BASIS ONLY AND MAY CONTAIN DEFICIENCIES OR INADEQUACIES. TO THE MAXIMUM EXTENT PERMITTED BY APPLICABLE LAW, CINTERION WIRELESS MODULES GMBH DISCLAIMS ALL WARRANTIES AND LIABILITIES. THE RECIPIENT UNDERTAKES FOR AN UNLIMITED PERIOD OF TIME TO OBSERVE SECRECY REGARDING ANY INFORMATION AND DATA PROVIDED TO HIM IN THE CONTEXT OF THE DELIVERY OF THE PRODUCT. THIS GENERAL NOTE SHALL BE GOVERNED AND CONSTRUED ACCORDING TO GERMAN LAW.

Copyright

Transmittal, reproduction, dissemination and/or editing of this document as well as utilization of its contents and communication thereof to others without express authorization are prohibited. Offenders will be held liable for payment of damages. All rights created by patent grant or registration of a utility model or design patent are reserved.

Copyright © 2012, Cinterion Wireless Modules GmbH

Trademark Notice

Microsoft and Windows are either registered trademarks or trademarks of Microsoft Corporation in the United States and/or other countries. CDMA2000 is a registered certification mark of the Telecommunications Industry Association. All other registered trademarks or trademarks mentioned in this document are property of their respective owners.

Contents

1	Introduction	6
1.1	Related Documents	6
1.2	Terms and Abbreviations	6
1.3	Regulatory and Type Approval Information	10
1.3.1	Directives and Standards	10
1.3.2	SAR requirements specific to portable mobiles	13
1.3.3	SELV Requirements	14
1.3.4	Safety Precautions	14
2	Product Concept	16
2.1	Key Features at a Glance	16
2.2	PXS8 System Overview	19
3	Application Interface.....	20
3.1	Operating Modes	21
3.2	Power Supply	22
3.3	USB Interface.....	23
3.4	Serial Interface ASC0	24
3.5	UICC/SIM/USIM Interface.....	26
3.6	Analog Audio Interface.....	28
3.7	Digital Audio Interface	28
4	GPS Receiver.....	29
5	Antenna Interfaces.....	30
5.1	GSM/UMTS/CDMA Antenna Interface.....	30
5.1.1	Antenna Installation	31
5.2	GPS Antenna Interface	32
6	Mechanics, Mounting and Packaging	34
6.1	Mechanical Dimensions of PXS8.....	34
7	Sample Application.....	36
8	Reference Approval	38
8.1	Reference Equipment for Type Approval.....	38
8.2	Compliance with FCC and IC Rules and Regulations	39
9	Appendix.....	40
9.1	List of Parts and Accessories.....	40

Tables

Table 1: Directives 10

Table 2: Standards of North American type approval 10

Table 3: Standards of European type approval..... 10

Table 4: Requirements of quality 11

Table 5: Standards of the Ministry of Information Industry of the
People’s Republic of China 11

Table 6: Toxic or hazardous substances or elements with defined concentration
limits 12

Table 7: Overview of operating modes 21

Table 8: DCE-DTE wiring of ASC0 25

Table 9: Signals of the SIM interface (SMT application interface) 26

Table 10: Return loss in the active band..... 30

Table 11: List of parts and accessories..... 40

Table 12: Molex sales contacts (subject to change) 41

Table 13: Hirose sales contacts (subject to change) 41

Figures

Figure 1: PXS8 system overview 19

Figure 2: Decoupling capacitor(s) for BATT+ 22

Figure 3: USB circuit 23

Figure 4: Serial interface ASC0..... 24

Figure 5: UICC/SIM/USIM interface 27

Figure 6: Supply voltage for active GPS antenna 32

Figure 7: ESD protection for passive GPS antenna 33

Figure 8: PXS8 – top and bottomview 34

Figure 9: Dimensions of PXS8 (all dimensions in mm) 35

Figure 10: PXS8 sample application 37

Figure 11: Reference equipment for type approval 38

1 Introduction

The document¹ describes the hardware of the PXS8 module, designed to connect to a cellular device application and the air interface. It helps you quickly retrieve interface specifications, electrical and mechanical details and information on the requirements to be considered for integrating further components.

1.1 Related Documents

- [1] PXS8 AT Command Set
- [2] PXS8 Release Notes
- [3] DSB75 Support Box - Evaluation Kit for Cinterion Wireless Modules
- [4] Application Note 48: SMT Module Integration

1.2 Terms and Abbreviations

Abbreviation	Description
AGPS	Assisted GPS
ANSI	American National Standards Institute
AMR	Adaptive Multirate
ARP	Antenna Reference Point
BB	Baseband
BC	Band Class
BEP	Bit Error Probability
BTS	Base Transceiver Station
CB or CBM	Cell Broadcast Message
CDMA	Code Division Multiple Access
CE	Conformité Européene (European Conformity)
CS	Coding Scheme
CS	Circuit Switched
CSD	Circuit Switched Data
CTM	Cellular Text Modem
DAC	Digital-to-Analog Converter
DCS	Digital Cellular System
DL	Download

¹ The document is effective only if listed in the appropriate Release Notes as part of the technical documentation delivered with your Cinterion Wireless Modules product.

Abbreviation	Description
DRX	Discontinuous Reception
DSB	Development Support Board
DSP	Digital Signal Processor
DTMF	Dual Tone Multi Frequency
DTX	Discontinuous Transmission
EDGE	Enhanced Data rates for GSM Evolution
EFR	Enhanced Full Rate
EGSM	Extended GSM
EMC	Electromagnetic Compatibility
ERP	Effective Radiated Power
ESD	Electrostatic Discharge
ETS	European Telecommunication Standard
ETSI	European Telecommunications Standards Institute
EVRC	Enhanced Variable Rate Codec
FCC	Federal Communications Commission (U.S.)
FDD	Frequency Division Duplex
FDMA	Frequency Division Multiple Access
FL	Forward Link
FR	Full Rate
GPRS	General Packet Radio Service
GPS	Global Positioning System
GSM	Global Standard for Mobile Communications
HiZ	High Impedance
HSDPA	High Speed Downlink Packet Access
HR	Half Rate
I/O	Input/Output
IF	Intermediate Frequency
IMEI	International Mobile Equipment Identity
ISO	International Standards Organization
ITU	International Telecommunications Union
kbits	kbits per second
LED	Light Emitting Diode
LGA	Land Grid Array
MBB	Moisture barrier bag
Mbps	Mbits per second
MCS	Modulation and Coding Scheme

Abbreviation	Description
MO	Mobile Originated
MS	Mobile Station, also referred to as TE
MSL	Moisture Sensitivity Level
MT	Mobile Terminated
NB	Narrow Band
NMEA	National Marine Electronics Association
NTC	Negative Temperature Coefficient
PBCCH	Packet Switched Broadcast Control Channel
PCB	Printed Circuit Board
PCL	Power Control Level
PCM	Pulse Code Modulation
PCS	Personal Communication System, also referred to as GSM 1900
PD	Pull Down resistor (appr. 100k)
PDU	Protocol Data Unit
PS	Packet Switched
PSK	Phase Shift Keying
PU	Pull Up resistor (appr. 100k)
QAM	Quadrature Amplitude Modulation
R&TTE	Radio and Telecommunication Terminal Equipment
RF	Radio Frequency
RL	Reverse Link
ROPR	Radio Output Power Reduction
RTC	Real Time Clock
Rx	Receive Direction
SAR	Specific Absorption Rate
SELV	Safety Extra Low Voltage
SIM	Subscriber Identification Module
SLIC	Subscriber Line Interface Circuit
SMPL	Sudden Momentary Power Loss
SMD	Surface Mount Device
SMS	Short Message Service
SMT	Surface Mount Technology
SNR	Signal-to-Noise Ratio
SRAM	Static Random Access Memory
SRB	Signalling Radio Bearer
SUPL	Secure User Plane Location

Abbreviation	Description
TDMA	Time Division Multiple Access
TE	Terminal Equipment
TPC	Transmit Power Control
TS	Technical Specification
TTFF	Time To First Fix
Tx	Transmit Direction
UL	Upload
UMTS	Universal Mobile Telecommunications System
URC	Unsolicited Result Code
USB	Universal Serial Bus
UICC	USIM Integrated Circuit Card
USIM	UMTS Subscriber Identification Module
WCDMA	Wideband Code Division Multiple Access

1.3 Regulatory and Type Approval Information

1.3.1 Directives and Standards

PXS8 has been designed to comply with the directives and standards listed below.

It is the responsibility of the application manufacturer to ensure compliance of the final product with all provisions of the applicable directives and standards as well as with the technical specifications provided in the "PXS8 Hardware Interface Description".¹

Table 1: Directives



99/05/EC	Directive of the European Parliament and of the council of 9 March 1999 on radio equipment and telecommunications terminal equipment and the mutual recognition of their conformity (in short referred to as R&TTE Directive 1999/5/EC). The product is labeled with the CE conformity mark 
2002/95/EC	Directive of the European Parliament and of the Council of 27 January 2003 on the restriction of the use of certain hazardous substances in electrical and electronic equipment (RoHS) 

Table 2: Standards of North American type approval


CFR Title 47	Code of Federal Regulations, Part 22, Part 24 and Part 27; US Equipment Authorization FCC
OET Bulletin 65 (Edition 97-01)	Evaluating Compliance with FCC Guidelines for Human Exposure to Radio-frequency Electromagnetic Fields
UL 60 950-1	Product Safety Certification (Safety requirements) 
NAPRD.03 V5.11	Overview of PCS Type certification review board Mobile Equipment Type Certification and IMEI control PCS Type Certification Review board (PTCRB)
RSS132, RSS133, RSS139	Canadian Standard

Table 3: Standards of European type approval

3GPP TS 51.010-1	Digital cellular telecommunications system (Release 7); Mobile Station (MS) conformance specification;
ETSI EN 301 511 V9.0.2	Global System for Mobile communications (GSM); Harmonized standard for mobile stations in the GSM 900 and DCS 1800 bands covering essential requirements under article 3.2 of the R&TTE directive (1999/5/EC)
GCF-CC V3.45	Global Certification Forum - Certification Criteria
ETSI EN 301 489-01 V1.8.1	Electromagnetic Compatibility and Radio spectrum Matters (ERM); Electromagnetic Compatibility (EMC) standard for radio equipment and services; Part 1: Common Technical Requirements

¹ Manufacturers of applications which can be used in the US shall ensure that their applications have a PTCRB approval. For this purpose they can refer to the PTCRB approval of the respective module.

Table 3: Standards of European type approval

ETSI EN 301 489-03 V1.4.1	Electromagnetic Compatibility and Radio spectrum Matters (ERM); Electromagnetic Compatibility (EMC) standard for radio equipment and services; Part 3: Specific conditions for Short-Range Devices (SRD) operating on frequencies between 9 kHz and 40 GHz
ETSI EN 301 489-07 V1.3.1	Electromagnetic Compatibility and Radio spectrum Matters (ERM); Electromagnetic Compatibility (EMC) standard for radio equipment and services; Part 7: Specific conditions for mobile and portable radio and ancillary equipment of digital cellular radio telecommunications systems (GSM and DCS)
ETSI EN 301 489-24 V1.4.1	Electromagnetic Compatibility and Radio spectrum Matters (ERM); Electromagnetic Compatibility (EMC) standard for radio equipment and services; Part 24: Specific conditions for IMT-2000 CDMA Direct Spread (UTRA) for Mobile and portable (UE) radio and ancillary equipment
ETSI EN 301 908-01 V4.2.1	Electromagnetic compatibility and Radio spectrum Matters (ERM); Base Stations (BS) and User Equipment (UE) for IMT-2000 Third Generation cellular networks; Part 1: Harmonized EN for IMT-2000, introduction and common requirements of article 3.2 of the R&TTE Directive
ETSI EN 301 908-02 V4.2.1	Electromagnetic compatibility and Radio spectrum Matters (ERM); Base Stations (BS) and User Equipment (UE) for IMT-2000 Third Generation cellular networks; Part 2: Harmonized EN for IMT-2000, CDMA Direct Spread (UTRA FDD) (UE) covering essential requirements of article 3.2 of the R&TTE Directive
EN 300 440-02 V1.3.1	Electromagnetic compatibility and Radio spectrum Matters (ERM); Short range devices; Radio equipment to be used in the 1 GHz to 40 GHz frequency range; Part 2: Harmonized EN covering essential requirements of article 3.2 of the R&TTE Directive
EN 62311:2008	Assessment of electronic and electrical equipment related to human exposure restrictions for electromagnetic fields (0 Hz - 300 GHz)
IEC/EN 60950-1:2006	Safety of information technology equipment

Table 4: Requirements of quality

IEC 60068	Environmental testing
DIN EN 60529	IP codes

Table 5: Standards of the Ministry of Information Industry of the People's Republic of China


SJ/T 11363-2006	“Requirements for Concentration Limits for Certain Hazardous Substances in Electronic Information Products” (2006-06).
SJ/T 11364-2006	<p>“Marking for Control of Pollution Caused by Electronic Information Products” (2006-06).</p> <p>According to the “Chinese Administration on the Control of Pollution caused by Electronic Information Products” (ACPEIP) the EPUP, i.e., Environmental Protection Use Period, of this product is 20 years as per the symbol shown here, unless otherwise marked. The EPUP is valid only as long as the product is operated within the operating limits described in the Cinterion Hardware Interface Description.</p> <p>Please see Table 6 for an overview of toxic or hazardous substances or elements that might be contained in product parts in concentrations above the limits defined by SJ/T 11363-2006.</p> 

Table 6: Toxic or hazardous substances or elements with defined concentration limits

部件名称 Name of the part	有毒有害物质或元素 Hazardous substances					
	铅 (Pb)	汞 (Hg)	镉 (Cd)	六价铬 (Cr(VI))	多溴联苯 (PBB)	多溴二苯醚 (PBDE)
金属部件 (Metal Parts)	○	○	○	○	○	○
电路模块 (Circuit Modules)	X	○	○	○	○	○
电缆及电缆组件 (Cables and Cable Assemblies)	○	○	○	○	○	○
塑料和聚合物部件 (Plastic and Polymeric parts)	○	○	○	○	○	○

O:
 表示该有毒有害物质在该部件所有均质材料中的含量均在SJ/T11363-2006 标准规定的限量要求以下。
 Indicates that this toxic or hazardous substance contained in all of the homogeneous materials for this part is below the limit requirement in SJ/T11363-2006.

X:
 表示该有毒有害物质至少在该部件的某一均质材料中的含量超出SJ/T11363-2006标准规定的限量要求。
 Indicates that this toxic or hazardous substance contained in at least one of the homogeneous materials used for this part *might exceed* the limit requirement in SJ/T11363-2006.

1.3.2 SAR requirements specific to portable mobiles

Mobile phones, PDAs or other portable transmitters and receivers incorporating a GSM/CDMA module must be in accordance with the guidelines for human exposure to radio frequency energy. This requires the Specific Absorption Rate (SAR) of portable PXS8 based applications to be evaluated and approved for compliance with national and/or international regulations.

Since the SAR value varies significantly with the individual product design manufacturers are advised to submit their product for approval if designed for portable use. For European and US-markets the relevant directives are mentioned below. It is the responsibility of the manufacturer of the final product to verify whether or not further standards, recommendations or directives are in force outside these areas.

Products intended for sale on US markets

ES 59005/ANSI C95.1 Considerations for evaluation of human exposure to electromagnetic fields (EMFs) from mobile telecommunication equipment (MTE) in the frequency range 30MHz - 6GHz

Products intended for sale on European markets

EN 50360 Product standard to demonstrate the compliance of mobile phones with the basic restrictions related to human exposure to electromagnetic fields (300MHz - 3GHz)

IMPORTANT:






Manufacturers of portable applications based on PXS8 modules are required to have their final product certified and apply for their own FCC Grant and Industry Canada Certificate related to the specific portable mobile.


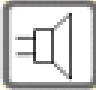
1.3.3 SELV Requirements

The power supply connected to the PXS8 module shall be in compliance with the SELV requirements defined in EN 60950-1.

1.3.4 Safety Precautions

The following safety precautions must be observed during all phases of the operation, usage, service or repair of any cellular terminal or mobile incorporating PXS8. Manufacturers of the cellular terminal are advised to convey the following safety information to users and operating personnel and to incorporate these guidelines into all manuals supplied with the product. Failure to comply with these precautions violates safety standards of design, manufacture and intended use of the product. Cinterion Wireless Modules assumes no liability for customer's failure to comply with these precautions.

	<p>When in a hospital or other health care facility, observe the restrictions on the use of mobiles. Switch the cellular terminal or mobile off, if instructed to do so by the guidelines posted in sensitive areas. Medical equipment may be sensitive to RF energy.</p> <p>The operation of cardiac pacemakers, other implanted medical equipment and hearing aids can be affected by interference from cellular terminals or mobiles placed close to the device. If in doubt about potential danger, contact the physician or the manufacturer of the device to verify that the equipment is properly shielded. Pacemaker patients are advised to keep their hand-held mobile away from the pacemaker, while it is on.</p>
	<p>Switch off the cellular terminal or mobile before boarding an aircraft. Make sure it cannot be switched on inadvertently. The operation of wireless appliances in an aircraft is forbidden to prevent interference with communications systems. Failure to observe these instructions may lead to the suspension or denial of cellular services to the offender, legal action, or both.</p>
	<p>Do not operate the cellular terminal or mobile in the presence of flammable gases or fumes. Switch off the cellular terminal when you are near petrol stations, fuel depots, chemical plants or where blasting operations are in progress. Operation of any electrical equipment in potentially explosive atmospheres can constitute a safety hazard.</p>
	<p>Your cellular terminal or mobile receives and transmits radio frequency energy while switched on. Remember that interference can occur if it is used close to TV sets, radios, computers or inadequately shielded equipment. Follow any special regulations and always switch off the cellular terminal or mobile wherever forbidden, or when you suspect that it may cause interference or danger.</p>
	<p>Road safety comes first! Do not use a hand-held cellular terminal or mobile when driving a vehicle, unless it is securely mounted in a holder for speakerphone operation. Before making a call with a hand-held terminal or mobile, park the vehicle.</p> <p>Speakerphones must be installed by qualified personnel. Faulty installation or operation can constitute a safety hazard.</p>

	<p>IMPORTANT! Cellular terminals or mobiles operate using radio signals and cellular networks. Because of this, connection cannot be guaranteed at all times under all conditions. Therefore, you should never rely solely upon any wireless device for essential communications, for example emergency calls.</p> <p>Remember, in order to make or receive calls, the cellular terminal or mobile must be switched on and in a service area with adequate cellular signal strength.</p> <p>Some networks do not allow for emergency calls if certain network services or phone features are in use (e.g. lock functions, fixed dialing etc.). You may need to deactivate those features before you can make an emergency call.</p> <p>Some networks require that a valid SIM card be properly inserted in the cellular terminal or mobile.</p>
	<p>Bear in mind that exposure to excessive levels of noise can cause physical damage to users! With regard to acoustic shock, the cellular application must be designed to avoid unintentional increase of amplification, e.g. for a highly sensitive earpiece. A protection circuit should be implemented in the cellular application.</p>

2 Product Concept

2.1 Key Features at a Glance

Feature	Implementation
General	
Frequency bands	GSM/GPRS/EDGE: Quad band, 850/900/1800/1900MHz UMTS/HSPA+: Five band, 800/850/900/1900/2100MHz CDMA: Dual band (BC0/BC1), 800/1900MHz
GSM class	Small MS
Output power (according to Release 99)	Class 4 (+33dBm ±2dB) for EGSM850 Class 4 (+33dBm ±2dB) for EGSM900 Class 1 (+30dBm ±2dB) for GSM1800 Class 1 (+30dBm ±2dB) for GSM1900 Class E2 (+27dBm ± 3dB) for GSM 850 8-PSK Class E2 (+27dBm ± 3dB) for GSM 900 8-PSK Class E2 (+26dBm +3 /-4dB) for GSM 1800 8-PSK Class E2 (+26dBm +3 /-4dB) for GSM 1900 8-PSK Class 3 (+24dBm +1/-3dB) for UMTS 2100, WCDMA FDD Bdl Class 3 (+24dBm +1/-3dB) for UMTS 1900,WCDMA FDD BdII Class 3 (+24dBm +1/-3dB) for UMTS 900, WCDMA FDD BdVIII Class 3 (+24dBm +1/-3dB) for UMTS 850, WCDMA FDD BdV Class 3 (+24dBm +1/-3dB) for UMTS 800, WCDMA FDD BdVI
Power supply	$3.3V \leq V_{BATT+} \leq 4.2V$
Operating temperature (board temperature)	Normal operation: -30°C to +85°C Restricted operation: -40°C to +95°C
Physical	Dimensions: 33mm x 29mm x 2mm Weight: approx. 5g
RoHS	All hardware components fully compliant with EU RoHS Directive
CDMA features	
3GPP2 CDMA2000	EV-DO Rev.A data rates: FL max. 3.1Mbps, RL max. 1.8Mbps 1xRTT Advanced data rates: FL max. 307.2kbps, RL max. 307.2kbps
HSPA features	
3GPP Release 6, 7	DL 14.4Mbps, UL 5.7Mbps UE CAT. 1-12 supported Compressed mode (CM) supported according to 3GPP TS25.212
UMTS features	
3GPP Release 4	PS data rate – 384 kbps DL / 384 kbps UL CS data rate – 64 kbps DL / 64 kbps UL

Feature	Implementation
GSM / GPRS / EGPRS features	
Data transfer	<p>GPRS:</p> <ul style="list-style-type: none"> • Multislot Class 12 • Full PBCCH support • Mobile Station Class B • Coding Scheme 1 – 4 <p>EGPRS:</p> <ul style="list-style-type: none"> • Multislot Class 12 • EDGE E2 power class for 8 PSK • Downlink coding schemes – CS 1-4, MCS 1-9 • Uplink coding schemes – CS 1-4, MCS 1-9 • SRB loopback and test mode B • 8-bit, 11-bit RACH • PBCCH support • 1 phase/2 phase access procedures • Link adaptation and IR • NACC, extended UL TBF • Mobile Station Class B <p>CSD:</p> <ul style="list-style-type: none"> • V.110, RLP, non-transparent • 14.4kbps • USSD
SMS	Point-to-point MT and MO Cell broadcast Text and PDU mode
GPS Features	
Protocol	NMEA
Modes	Standalone GPS Assisted GPS <ul style="list-style-type: none"> - Control plane - E911 - User plane - gpsOneXTRA™
General	Power saving modes
Software	
AT commands	Hayes, 3GPP TS 27.007 and 27.005, and proprietary Cinterion Wireless Modules commands as well as Verizon specific CDMA commands.
SIM Application Toolkit	SAT Release 99
Audio	Audio speech codecs GSM: AMR, EFR, FR, HR 3GPP: AMR 3GPP2: EVRC, EVRC-B (4GV-NB), QCELP, AMR-NB Speakerphone operation, echo cancellation, noise suppression, 9 ringing tones, TTY support
Software update	Generic firmware update from host application over ASC0 or USB.

Feature	Implementation
Interfaces	
Module interface	Surface mount device with solderable connection pads (SMT application interface). Land grid array (LGA) technology ensures high solder joint reliability and provides the possibility to use an optional module mounting socket. For more information on how to integrate SMT modules see also [4]. This application note comprises chapters on module mounting and application layout issues as well as on additional SMT application development equipment.
Antenna	50Ohms. GSM/UMTS/CDMA main antenna, UMTS/CDMA diversity antenna, GPS antenna (active/passive)
USB	USB 2.0 High Speed (480Mbit/s) device interface, Full Speed (12Mbit/s) compliant
Serial interface	ASC0: <ul style="list-style-type: none"> 8-wire modem interface with status and control lines, unbalanced, asynchronous Adjustable baud rates from 9,600bps up to 921,600bps Supports RTS0/CTS0 hardware flow control Multiplex ability according to GSM 07.10 Multiplexer Protocol
UICC interface	Supported chip cards: UICC/SIM/USIM 3V, 1.8V
Status	Signal line to indicate network connectivity state
Audio	1 analog interface with microphone feeding 1 digital interface: PCM or I ² S
Power on/off, Reset	
Power on/off	Switch-on by hardware signal IGT Switch-off by AT command (AT^SMSO) Automatic switch-off in case of critical temperature or voltage conditions
Reset	Orderly shutdown and reset by AT command
Emergency-off	Emergency-off by hardware signal EMERG_OFF if IGT is not active
Special Features	
Phonebook	SIM and phone
TTY/CTM support	Integrated CTM modem
Antenna	SAIC (Single Antenna Interference Cancellation) / DARP (Downlink Advanced Receiver Performance) Rx diversity (receiver type 3i - 16-QAM)
Over-the-air provisioning	Verizon specific OTASP (Over-the-Air Service Provisioning) and OTAPA (Over-the-Air Parameter Administration)
Evaluation kit	
Evaluation module	PXS8 module soldered onto a dedicated PCB that can be connected to an adapter in order to be mounted onto the DSB75.
DSB75	DSB75 Development Support Board designed to test and type approve Cinterion Wireless Modules and provide a sample configuration for application engineering. A special adapter is required to connect the PXS8 evaluation module to the DSB75.

2.2 PXS8 System Overview

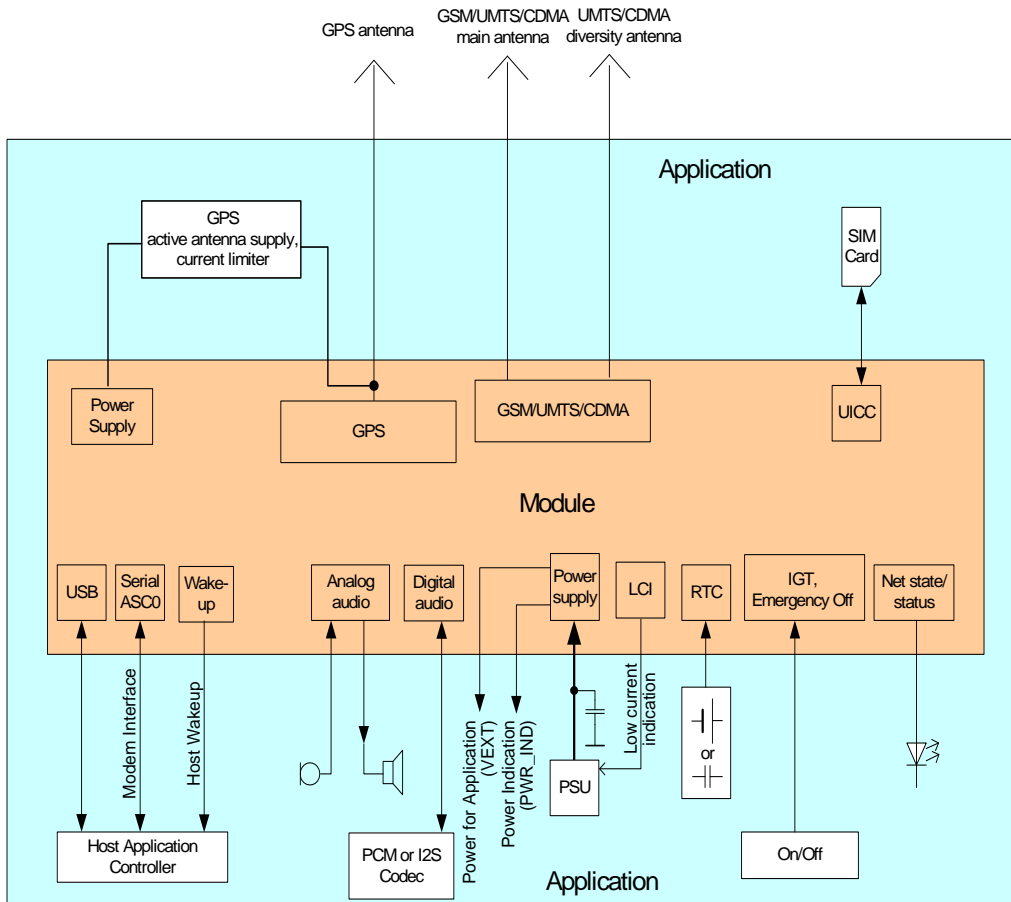


Figure 1: PXS8 system overview

3 Application Interface

PXS8 is equipped with an SMT application interface that connects to the external application. The host interface incorporates several sub-interfaces described in the following sections:

- Operating modes - see [Section 3.1](#)
- Power supply - see [Section 3.2](#)
- Serial interface USB - see [Section 3.3](#)
- Serial interface ASC0 - [Section 3.4](#)
- UICC/SIM/USIM interface - see [Section 3.5](#)
- Analog audio interface - see [Section 3.6](#)
- Digital audio interface (PCM or I²S) - see [Section 3.7](#)

3.1 Operating Modes

The table below briefly summarizes the various operating modes referred to in the following chapters.

Table 7: Overview of operating modes

Mode	Function	
Normal operation	GSM / GPRS / UMTS / HSPA / CDMA SLEEP	Power saving set automatically when no call is in progress and the USB connection is suspended by host or not present and no active communication via ASC0.
	GSM / GPRS / UMTS / HSPA / CDMA IDLE	Power saving disabled (see [1]: AT^SCFG "MEopMode/PwrSave", <PwrSaveMode>) or an USB connection not suspended, but no call in progress.
	GSM TALK/ GSM DATA	Connection between two subscribers is in progress. Power consumption depends on the GSM network coverage and several connection settings (e.g. DTX off/on, FR/EFR/HR, hopping sequences and antenna connection). The following applies when power is to be measured in TALK_GSM mode: DTX off, FR and no frequency hopping.
	GPRS DATA	GPRS data transfer in progress. Power consumption depends on network settings (e.g. power control level), uplink / downlink data rates and GPRS configuration (e.g. used multislot settings).
	EGPRS DATA	EGPRS data transfer in progress. Power consumption depends on network settings (e.g. power control level), uplink / downlink data rates and EGPRS configuration (e.g. used multislot settings).
	UMTS TALK/ UMTS DATA	UMTS data transfer in progress. Power consumption depends on network settings (e.g. TPC Pattern) and data transfer rate.
	HSPA DATA	HSPA data transfer in progress. Power consumption depends on network settings (e.g. TPC Pattern) and data transfer rate.
	CDMA TALK/ CDMA DATA	CDMA data transfer in progress. Power consumption depends on network settings and data transfer rate.
Power Down	Normal shutdown after sending the AT^SMSO command. Only a voltage regulator is active for powering the RTC. Software is not active. Interfaces are not accessible. Operating voltage (connected to BATT+) remains applied.	
Airplane mode	Airplane mode shuts down the radio part of the module, causes the module to log off from the GSM/GPRS/CDMA network and disables all AT commands whose execution requires a radio connection. Airplane mode can be controlled by AT command (see [1]).	

3.2 Power Supply

PXS8 needs to be connected to a power supply at the SMT application interface - 6 lines each BATT+ and GND. There are three separate voltage domains for BATT+:

- BATT+_PA1 with 2 lines for the first power amplifier supply
- BATT+_PA2 with 2 lines for the second power amplifier supply
- BATT+ with 2 lines for the general power management.

The main power supply from an external application has to be a single voltage source and has to be expanded to three sub paths (star structure). Capacitors should be placed as close as possible to the BATT+ pads. [Figure 2](#) shows two sample circuits (minimum requirement and recommended alternative) for decoupling capacitors for BATT+.

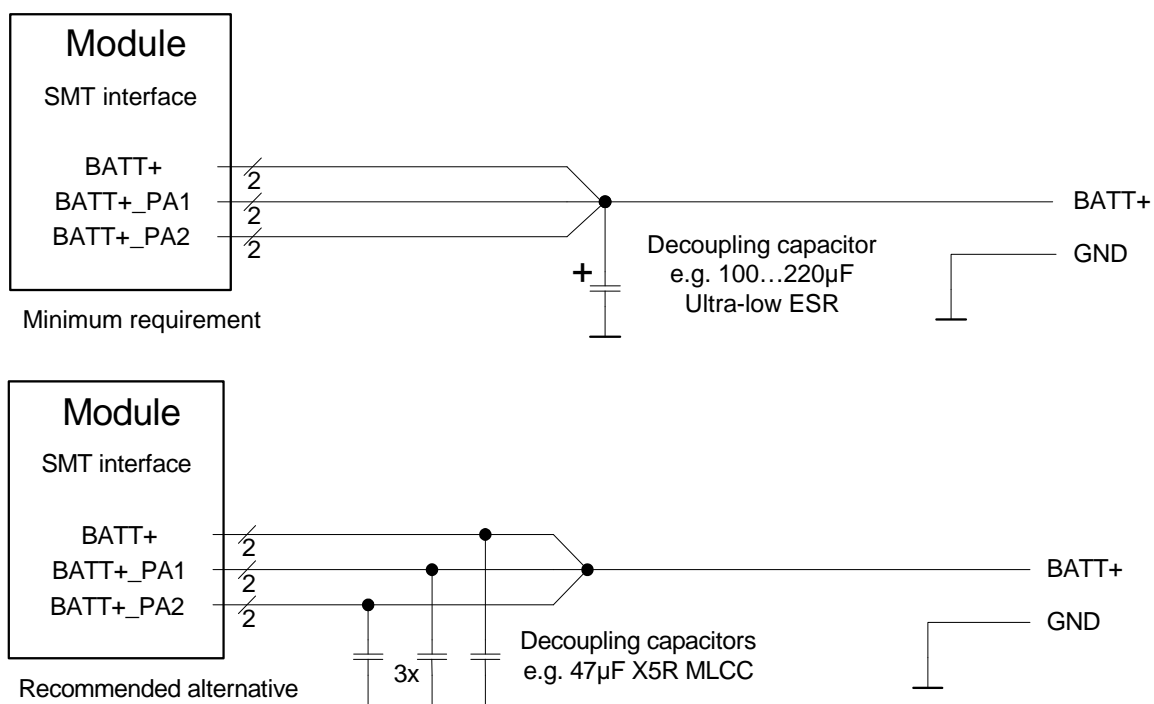


Figure 2: Decoupling capacitor(s) for BATT+

The power supply of PXS8 must be able to provide the peak current during the uplink transmission.

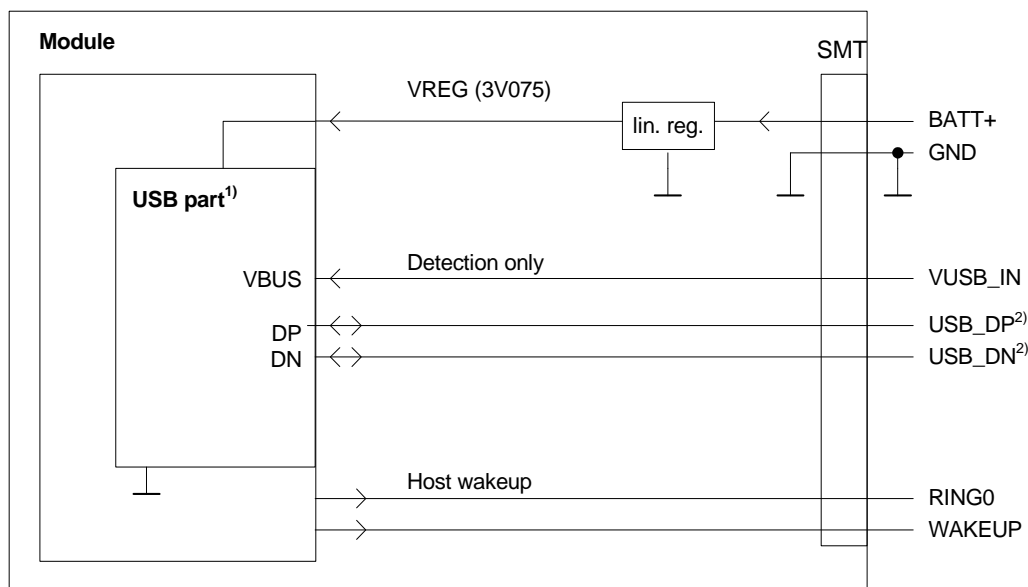
All key functions for supplying power to the device are handled by the power management IC. It provides the following features:

- Stabilizes the supply voltages for the baseband using switching regulators and low drop linear voltage regulators.
- Switches the module's power voltages for the power-up and -down procedures.
- Delivers, across the VEXT line, a regulated voltage for an external application. This voltage is not available in Power-down mode and can be reduced via AT command to save power.
- SIM switch to provide SIM power supply.

3.3 USB Interface

PXS8 supports a USB 2.0 High Speed (480Mbit/s) device interface that is Full Speed (12Mbit/s) compliant. The USB interface is primarily intended for use as command and data interface and for downloading firmware.

The USB host is responsible for supplying the VUSB_IN line. This line is for voltage detection only. The USB part (driver and transceiver) is supplied by means of BATT+. This is because PXS8 is designed as a self-powered device compliant with the “Universal Serial Bus Specification Revision 2.0”¹.



¹) All serial and pull-up resistors for data lines are implemented.
²) If the USB interface is operated in High Speed mode (480MHz), it is recommended to take special care routing the data lines USB_DP and USB_DN. Application layout should in this case implement a differential impedance of 90Ohm for proper signal integrity.

Figure 3: USB circuit

To properly connect the module's USB interface to the host a USB 2.0 compatible connector is required. Furthermore, the USB modem driver distributed with PXS8 needs to be installed.

While the USB connection is active, the module will not change into SLEEP Mode. To enable switching into SLEEP mode the USB host must bring its USB interface into Suspend state. Also, VUSB_IN should always be kept enabled for this functionality. See “Universal Serial Bus Specification Revision 2.0”¹ for a description of the Suspend state. On incoming calls PXS8 will then generate a remote wake up request to resume the USB connection (active low).

As an alternative to the regular USB remote wakeup mechanism it is possible to employ the RING0 or WAKEUP line to wake up the host application. The benefit is that the RING0 or WAKEUP lines can wake up the host application in case of incoming calls or other events signaled by URCs while the USB interface is suspended or shut down.

¹. The specification is ready for download on <http://www.usb.org/developers/docs/>

3.4 Serial Interface ASC0

PXS8 offers an 8-wire unbalanced, asynchronous modem interface ASC0 conforming to ITU-T V.24 protocol DCE signalling. The electrical characteristics do not comply with ITU-T V.28. The significant levels are 0V (for low data bit or active state) and 1.8V (for high data bit or inactive state).

PXS8 is designed for use as a DCE. Based on the conventions for DCE-DTE connections it communicates with the customer application (DTE) using the following signals:

- Port TXD @ application sends data to the module's TXD0 signal line
- Port RXD @ application receives data from the module's RXD0 signal line

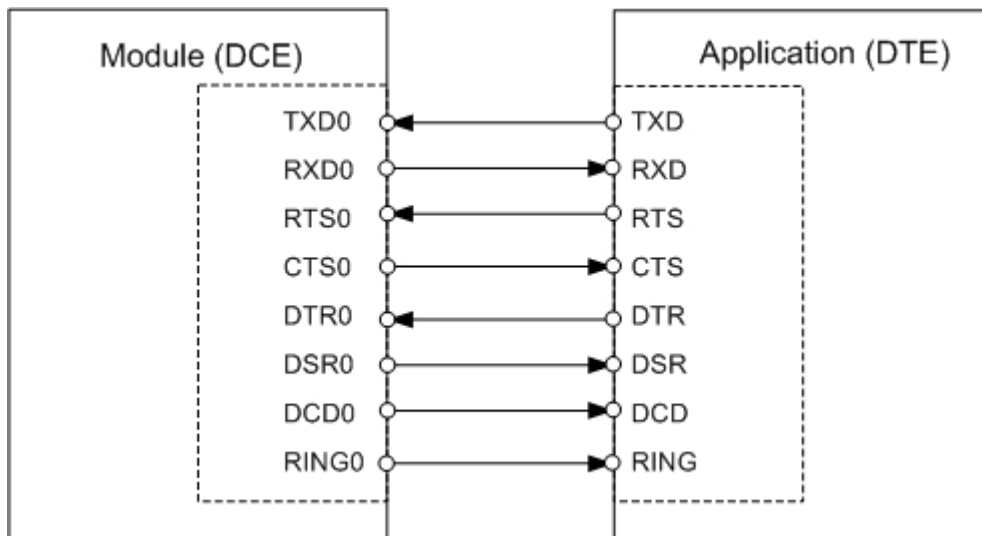


Figure 4: Serial interface ASC0

Features:

- Includes the data lines TXD0 and RXD0, the status lines RTS0 and CTS0 and, in addition, the modem control lines DTR0, DSR0, DCD0 and RING0.
- ASC0 is designed for controlling GSM/UMTS/CDMA voice calls, transferring data and for controlling the module with AT commands.
- Full multiplexing capability allows the interface to be partitioned into virtual channels.
- The RING0 signal serves to indicate incoming calls and other types of URCs (Unsolicited Result Code). It can also be used to send pulses to the host application, for example to wake up the application from power saving state. See [1] for details on how to configure the RING0 line by AT^SCFG.
- Configured for 8 data bits, no parity and 1 stop bit.
- ASC0 can be operated at fixed bit rates from 9600bps up to 921600bps.
- Supports RTS0/CTS0 hardware flow control.
- Wake up from SLEEP mode by RTS0 activation (high to low transition).

Note. If the ASC0 serial interface is the application's only interface, it is suggested to connect test points on the USB signal lines as a potential tracing possibility.

Table 8: DCE-DTE wiring of ASC0

V.24 circuit	DCE		DTE	
	Line function	Signal direction	Line function	Signal direction
103	TXD0	Input	TXD	Output
104	RXD0	Output	RXD	Input
105	RTS0	Input	RTS	Output
106	CTS0	Output	CTS	Input
108/2	DTR0	Input	DTR	Output
107	DSR0	Output	DSR	Input
109	DCD0	Output	DCD	Input
125	RING0	Output	RING	Input

3.5 UICC/SIM/USIM Interface

PXS8 has an integrated UICC/SIM/USIM interface compatible with the 3GPP 31.102 and ETSI 102 221. This is wired to the host interface in order to be connected to an external SIM card holder. Five pads on the SMT application interface are reserved for the SIM interface.

The UICC/SIM/USIM interface supports 3V and 1.8V SIM cards.

The CCIN signal serves to detect whether a tray (with SIM card) is present in the card holder. Using the CCIN signal is mandatory for compliance with the GSM 11.11 recommendation if the mechanical design of the host application allows the user to remove the SIM card during operation. To take advantage of this feature, an appropriate SIM card detect switch is required on the card holder. For example, this is true for the model supplied by Molex, which has been tested to operate with PXS8 and is part of the Cinterion reference equipment submitted for type approval. See [Chapter 9](#) for Molex ordering numbers.

Table 9: Signals of the SIM interface (SMT application interface)

Signal	Description
GND	Ground connection for SIM. Optionally a separate SIM ground line using e.g., pad J13 may be used to improve EMC.
CCCLK	Chipcard clock
CCVCC	SIM supply voltage.
CCIO	Serial data line, input and output.
CCRST	Chipcard reset
CCIN	Input on the baseband processor for detecting a SIM card tray in the holder. If the SIM is removed during operation the SIM interface is shut down immediately to prevent destruction of the SIM. The CCIN signal is active low. The CCIN signal is mandatory for applications that allow the user to remove the SIM card during operation. The CCIN signal is solely intended for use with a SIM card. It must not be used for any other purposes. Failure to comply with this requirement may invalidate the type approval of PXS8.

Note: No guarantee can be given, nor any liability accepted, if loss of data is encountered after removing the SIM card during operation. Also, no guarantee can be given for properly initializing any SIM card that the user inserts after having removed the SIM card during operation. In this case, the application must restart PXS8.

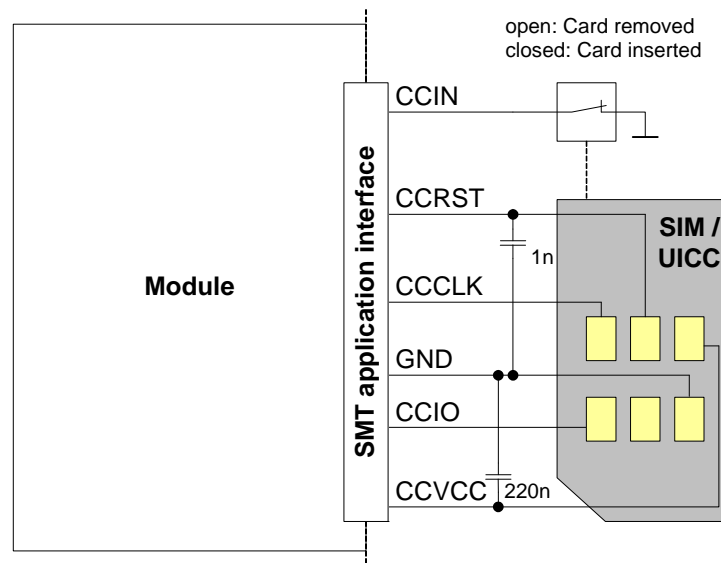


Figure 5: UICC/SIM/USIM interface

The total cable length between the SMT application interface pads on PXS8 and the pads of the external SIM card holder must not exceed 100mm in order to meet the specifications of 3GPP TS 51.010-1 and to satisfy the requirements of EMC compliance.

To avoid possible cross-talk from the CCCLK signal to the CCIO signal be careful that both lines are not placed closely next to each other. A useful approach is using the GND line to shield the CCIO line from the CCCLK line.

3.6 Analog Audio Interface

PXS8 has an analog audio interface with a balanced analog microphone input and a balanced analog earpiece output. A supply voltage and an analog ground connection are provided at dedicated lines.

PXS8 offers eight audio modes which can be selected with the AT[^]SNFS command. The electrical characteristics of the voiceband part vary with the audio mode. For example, sending and receiving amplification, sidetone paths, noise suppression etc. depend on the selected mode and can in parts be altered with AT commands (except for mode 1).

When shipped from factory, all audio parameters of PXS8 are set to audio mode 1. This is the default configuration optimised for the Votronic HH-SI-30.3/V1.1/0 handset and used for type approving the Cinterion Wireless Modules reference configuration. Audio mode 1 has fix parameters which cannot be modified. To adjust the settings of the Votronic handset simply change to another audio mode.

3.7 Digital Audio Interface

PXS8 supports a digital audio interface that can be employed either as pulse code modulation or as inter IC sound interface. Operation of these interface variants is mutually exclusive.

4 GPS Receiver

PXS8 integrates a GPS receiver that offers the full performance of GPS technology. The GPS receiver is able to continuously track all satellites in view, thus providing accurate satellite position data.

The integrated GPS receiver supports the NMEA protocol via USB or ASC0 interface¹. NMEA is a combined electrical and data specification for communication between various (marine) electronic devices including GPS receivers. It has been defined and controlled by the US-based National Marine Electronics Association. For more information on the NMEA Standard please refer to <http://www.nmea.org>.

Depending on the receiver's knowledge of last position, current time and ephemeris data, the receiver's startup time (i.e., TTFF = Time-To-First-Fix) may vary: If the receiver has no knowledge of its last position or time, a startup takes considerably longer than if the receiver has still knowledge of its last position, time and almanac or has still access to valid ephemeris data and the precise time.

By default, the GPS receiver is switched off. It has to be switched on and configured using AT commands. For more information on how to control the GPS interface via the AT command AT[^]SGPSC see [1].

¹. Using the serial ASC0 interface NMEA data is transmitted at a fixed speed of 115200bps.

5 Antenna Interfaces

5.1 GSM/UMTS/CDMA Antenna Interface

The PXS8 GSM/UMTS/CDMA antenna interface comprises a main GSM/UMTS/CDMA antenna as well as an optional UMTS/CDMA Rx diversity antenna to improve signal reliability and quality¹. The interface has an impedance of 50Ω. PXS8 is capable of sustaining a total mismatch at the antenna interface without any damage, even when transmitting at maximum RF power.

The external antenna must be matched properly to achieve best performance regarding radiated power, modulation accuracy and harmonic suppression. Matching networks are not included on the PXS8 PCB and should be placed in the host application, if the antenna does not have an impedance of 50Ω.

Regarding the return loss PXS8 provides the following values in the active band:

Table 10: Return loss in the active band

State of module	Return loss of module	Recommended return loss of application
Receive	≥ 8dB	≥ 12dB
Transmit	not applicable	≥ 12dB
Idle	≤ 5dB	not applicable

¹. By delivery default the optional UMTS/CDMA Rx diversity antenna is configured as available for the module. To avoid negative side effects and performance degradation it is recommended to disable the diversity antenna path if

- the host application does not support a diversity antenna
- the host application includes a diversity antenna - but a 3G network simulator is used for development and performance tests.

Please refer to [\[1\]](#) for details on how to configure antenna settings.

5.1.1 Antenna Installation

The antenna is connected by soldering the antenna pads and their neighboring ground pads directly to the application's PCB.

The distance between the antenna pads and their neighboring GND pads has been optimized for best possible impedance. To prevent mismatch, special attention should be paid to these pads on the application' PCB.

The wiring of the antenna connection, starting from the antenna pad to the application's antenna should result in a 50Ω line impedance. Line width and distance to the GND plane need to be optimized with regard to the PCB's layer stack.

To prevent receiver desensitization due to interferences generated by fast transients like high speed clocks on the external application PCB, it is recommended to realize the antenna connection line using embedded Stripline rather than Micro-Stripline technology.

For type approval purposes, the use of a 50Ω coaxial antenna connector (U.FL-R-SMT) might be necessary. In this case the U.FL-R-SMT connector should be placed as close as possible to PXS8's antenna pad.

5.2 GPS Antenna Interface

In addition to the RF antenna interface PXS8 also has a GPS antenna interface. The GPS antenna installation and connector are the same as for the RF antenna interface (see [Section 5.1.1](#)).

It is possible to connect active or passive GPS antennas. In either case they must have 50 Ohm impedance. The simultaneous operation of GSM/CDMA and GPS has been implemented. For electrical characteristics see [Section 6.9](#).

PXS8 provides the supply voltage VGPS for the GPS active antenna (3.05V). It has to be enabled by software when the GPS-receiver shall become active, otherwise VGPS should be off (power saving). VGPS is not short circuit protected. This will have to be provided for by an external application. The DC voltage should be fed back via ANT_GPS_DC for coupling into the GPS antenna path. [Figure 6](#) shows the flexibility in realizing the power supply for an active GPS antenna - one with short circuit protection and one with an external LDO employed.

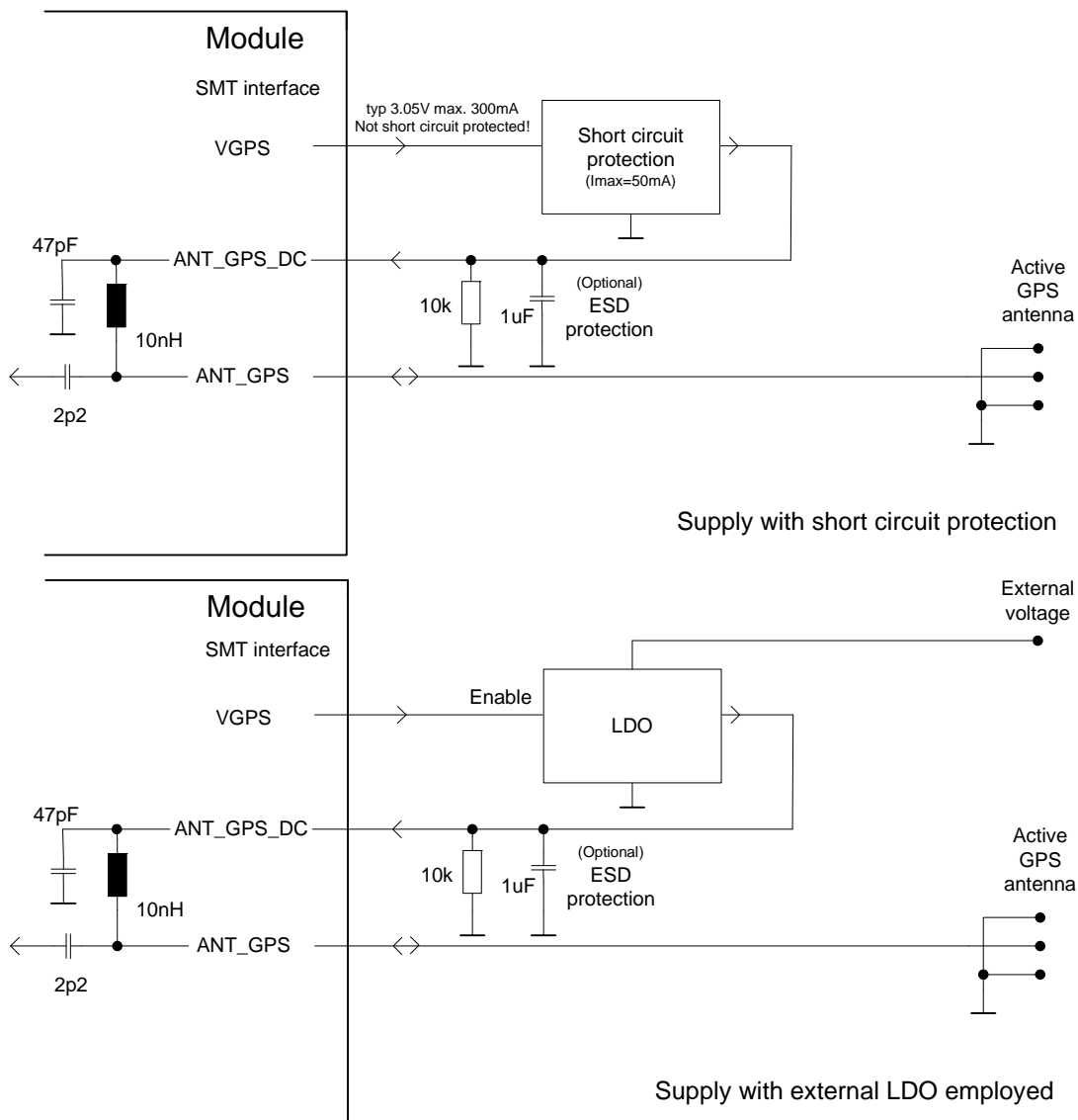


Figure 6: Supply voltage for active GPS antenna

Figure 7 shows sample circuits realizing ESD protection for a passive GPS antenna.

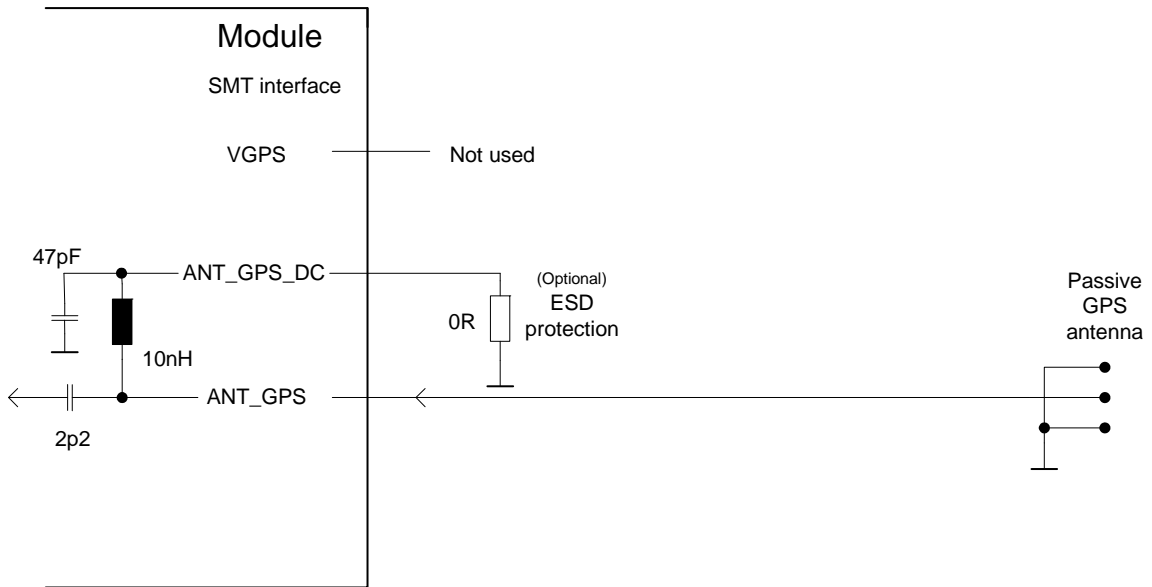


Figure 7: ESD protection for passive GPS antenna

6 Mechanics, Mounting and Packaging

6.1 Mechanical Dimensions of PXS8

Figure 8 shows a 3D view¹ of PXS8 and provides an overview of the board's mechanical dimensions. For further details see Figure 9.

Length: 33mm
Width: 29mm
Height: 2mm

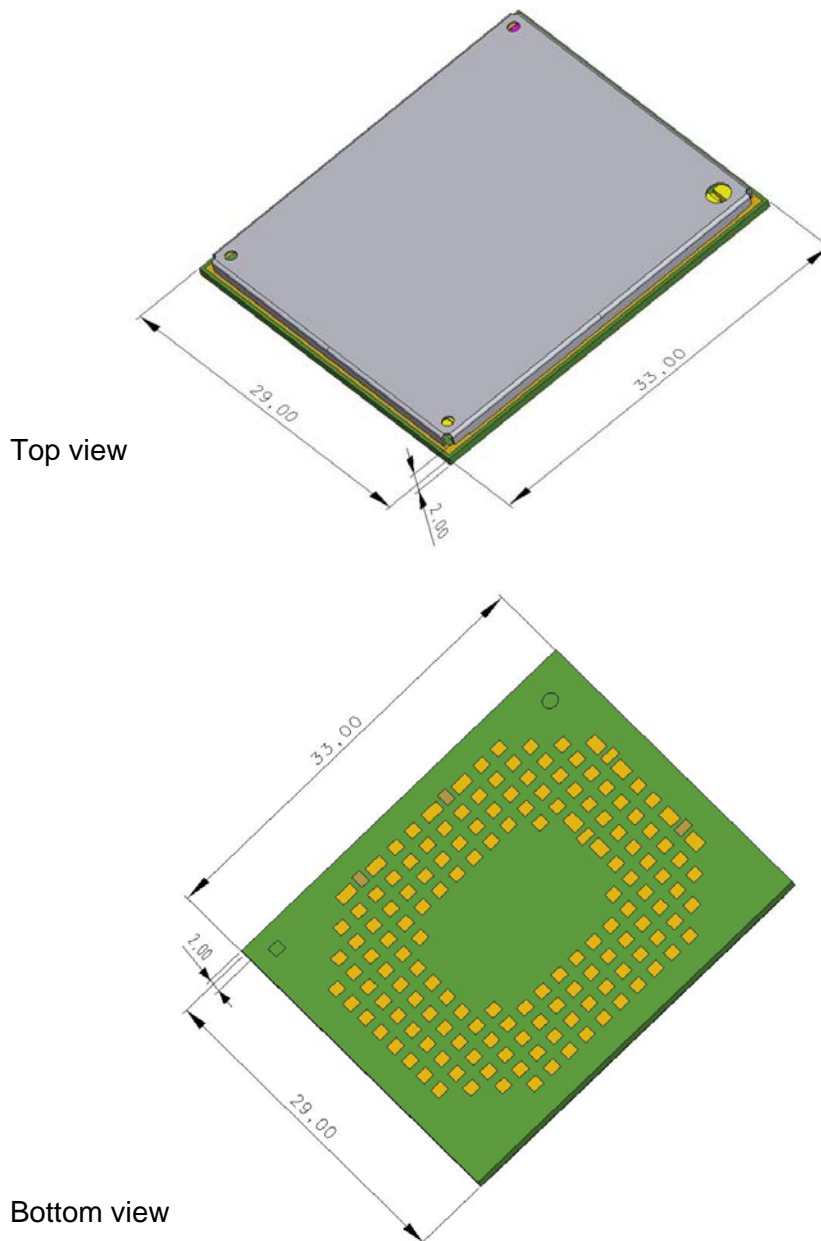


Figure 8: PXS8 – top and bottomview

¹: The coloring of the 3D view does not reflect the module's real color.

PXS8 Hardware Interface Overview

6.1 Mechanical Dimensions of PXS8

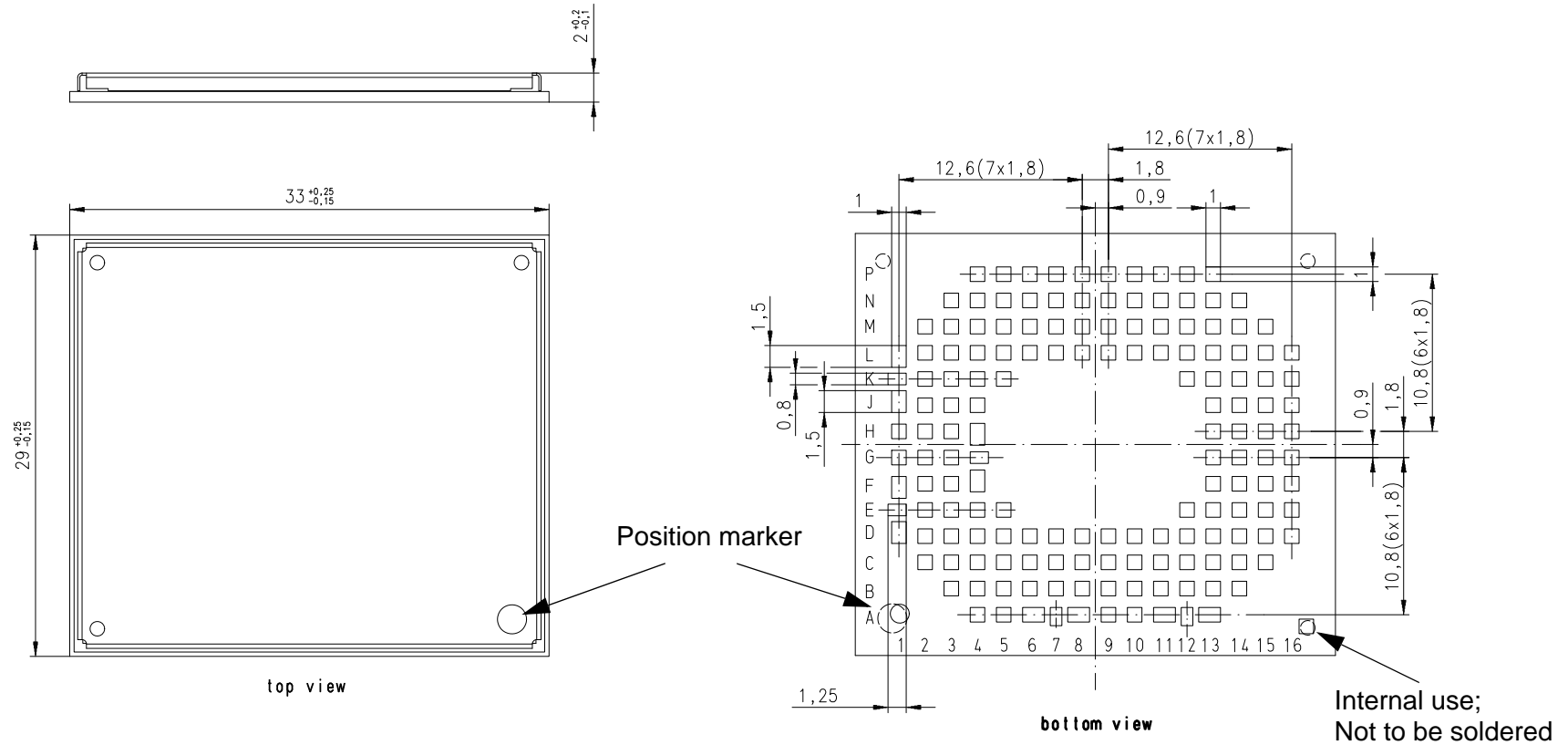


Figure 9: Dimensions of PXS8 (all dimensions in mm)

7 Sample Application

Figure 10 shows a typical example of how to integrate an PXS8 module with an application.

The audio interface demonstrates the balanced connection of microphone and earpiece. This solution is particularly well suited for internal transducers.

The PWR_IND line is an open collector that needs an external pull-up resistor which connects to the voltage supply VCC μ C of the microcontroller. Low state of the open collector pulls the PWR_IND signal low and indicates that the PXS8 module is active, high level notifies the Power-down mode.

If the module is in Power-down mode avoid current flowing from any other source into the module circuit, for example reverse current from high state external control lines. Therefore, the controlling application must be designed to prevent reverse flow. If an external level controller is required, this can be done by using for example a 5V I/O tolerant buffer/driver like a "74AVC4T245" with \overline{OE} (Output Enable) controlled by PWR_IND.

While developing SMT applications it is strongly recommended to provide test points for certain signals resp. lines to and from the module - for debug and/or test purposes. The SMT application should allow for an easy access to these signals. For details on how to implement test points see [4].

The EMC measures are best practice recommendations. In fact, an adequate EMC strategy for an individual application is very much determined by the overall layout and, especially, the position of components.

Disclaimer:

No warranty, either stated or implied, is provided on the sample schematic diagram shown in Figure 10 and the information detailed in this section. As functionality and compliance with national regulations depend to a great amount on the used electronic components and the individual application layout manufacturers are required to ensure adequate design and operating safeguards for their products using PXS8 modules.

PXS8 Sample Application

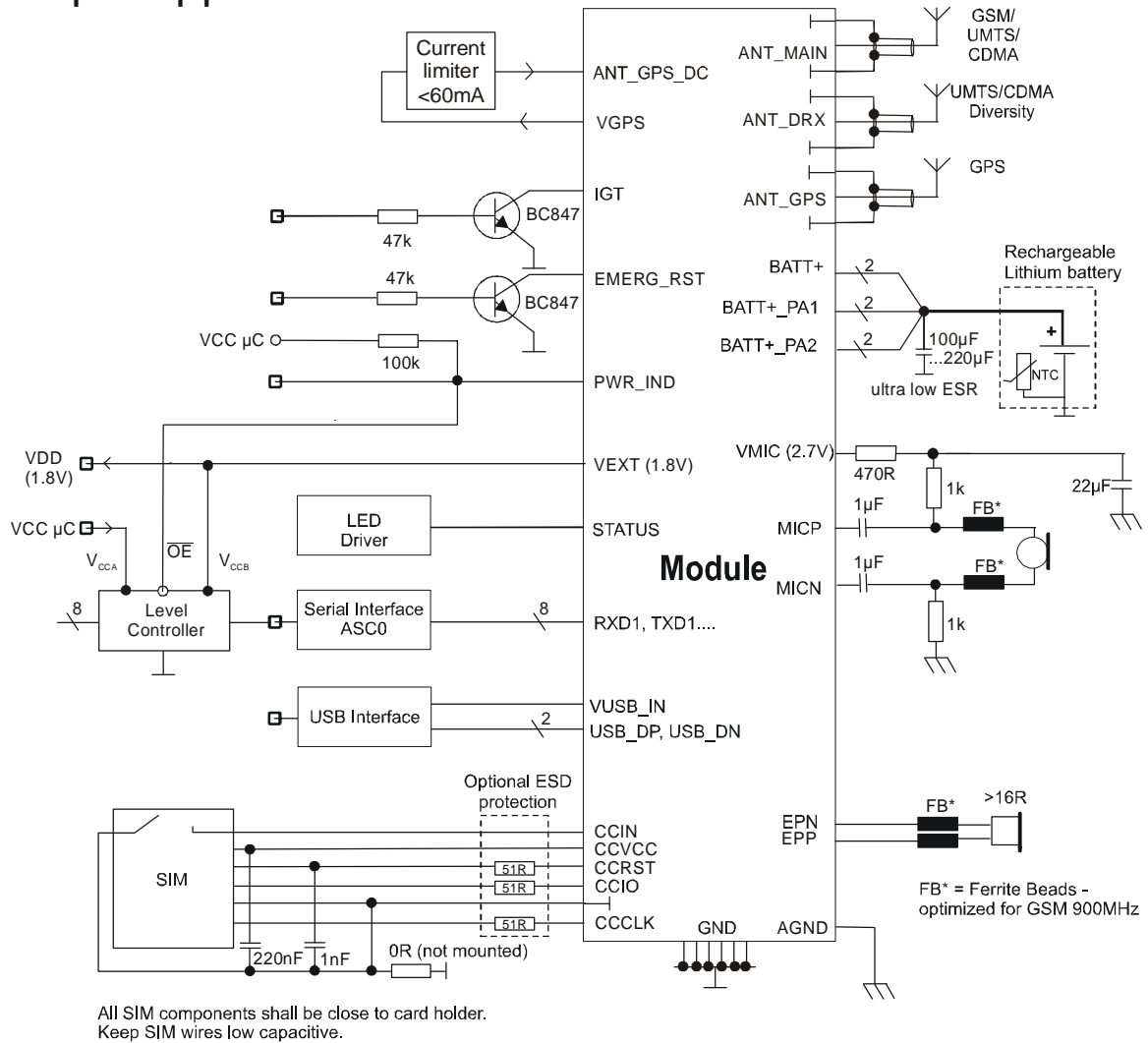


Figure 10: PXS8 sample application

8 Reference Approval

8.1 Reference Equipment for Type Approval

The Cinterion Wireless Modules reference setup submitted to type approve PXS8 is shown in Figure 11. The module (i.e., the evaluation module) is connected to the DSB75 by means of a flex cable and a special DSB75 adapter. The GSM/UMTS/CDMA/GPS test equipment is connected via edge mount SMA connectors soldered to the module's antenna pads.

For ESD tests and evaluation purposes, it is also possible connect the module to the GSM/UMTS/CDMA/GPSS test equipment through an SMA-to-Hirose-U.FL antenna cable and the SMA antenna connectors of the DSB75 adapter.

A further option is to mount the evaluation module directly onto the DSB75 adapter's 80-pin board-to-board connector and to connect the test equipment as shown below.

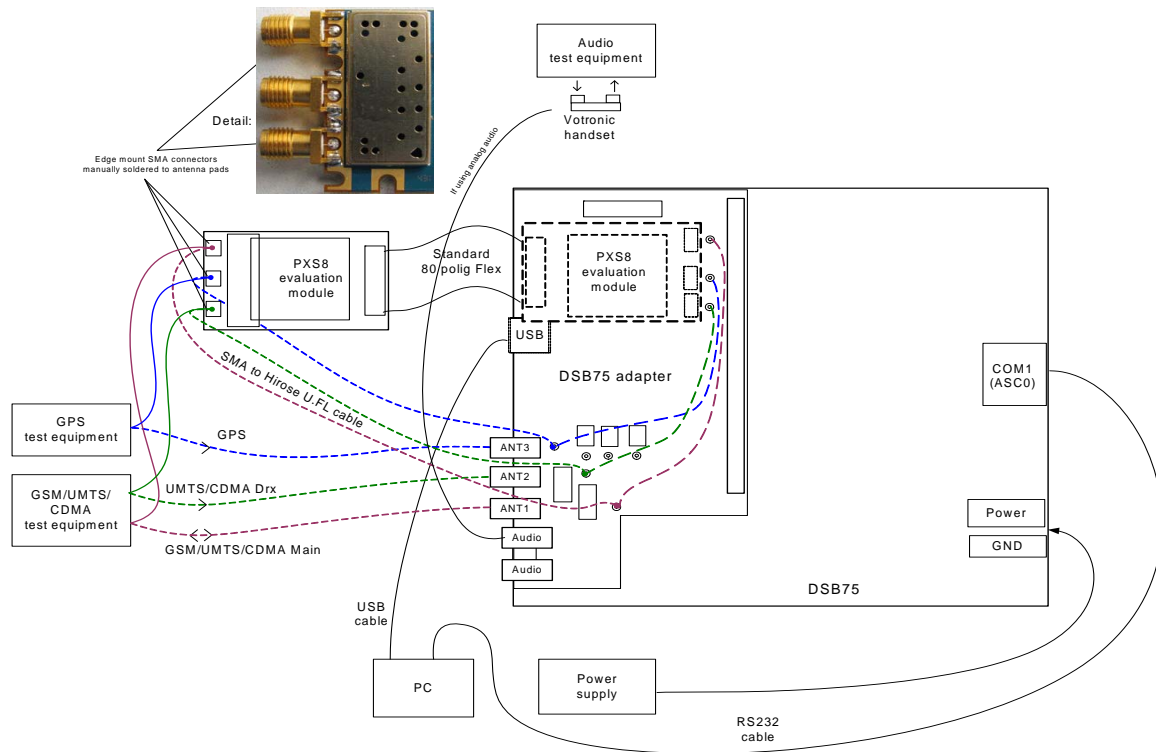


Figure 11: Reference equipment for type approval

8.2 Compliance with FCC and IC Rules and Regulations

The Equipment Authorization Certification for the Cinterion Wireless Modules reference application described in [Section 8.1](#) will be registered under the following identifiers:

FCC Identifier QIPPS8

Industry Canada Certification Number: 7830A-PXS8

Granted to Cinterion Wireless Modules GmbH

Manufacturers of mobile or fixed devices incorporating PXS8 modules are authorized to use the FCC Grants and Industry Canada Certificates of the PXS8 modules for their own final products according to the conditions referenced in these documents. In this case, the FCC label of the module shall be visible from the outside, or the host device shall bear a second label stating "Contains FCC ID QIPPS8" and accordingly "Contains IC 7830A-PXS8". The integration is limited to fixed or mobile categorised host devices, where a separation distance between the antenna and any person of min. 20cm can be assured during normal operating conditions. For mobile and fixed operation configurations the antenna gain, including cable loss, must not exceed the limits 3.92 dBi (850 MHz) and 2.51 dBi (1900 MHz).

IMPORTANT:

Manufacturers of portable applications incorporating PXS8 modules are required to have their final product certified and apply for their own FCC Grant and Industry Canada Certificate related to the specific portable mobile. This is mandatory to meet the SAR requirements for portable mobiles (see [Section 1.3.1](#) for detail).

Changes or modifications not expressly approved by the party responsible for compliance could void the user's authority to operate the equipment.

Note: This equipment has been tested and found to comply with the limits for a Class B digital device, pursuant to part 15 of the FCC Rules and with Industry Canada licence-exempt RSS standard(s). These limits are designed to provide reasonable protection against harmful interference in a residential installation. This equipment generates, uses and can radiate radio frequency energy and, if not installed and used in accordance with the instructions, may cause harmful interference to radio communications. However, there is no guarantee that interference will not occur in a particular installation. If this equipment does cause harmful interference to radio or television reception, which can be determined by turning the equipment off and on, the user is encouraged to try to correct the interference by one or more of the following measures:

- Reorient or relocate the receiving antenna.
- Increase the separation between the equipment and receiver.
- Connect the equipment into an outlet on a circuit different from that to which the receiver is connected.
- Consult the dealer or an experienced radio/TV technician for help.

This Class B digital apparatus complies with Canadian ICES-003.

9 Appendix

9.1 List of Parts and Accessories

Table 11: List of parts and accessories

Description	Supplier	Ordering information
PXS8	Cinterion	Standard module Cinterion Wireless Modules IMEI: Ordering number: L30960-N2600-A100
PXS8 Evaluation Module	Cinterion	Ordering number: L30960-N2601-A100
DSB75 Support Box	Cinterion	Ordering number: L36880-N8811-A100
DSB75 adapter for mounting the PXS8 evaluation module	Cinterion	Ordering number: L30960-N2301-A100
Votronic Handset	VOTRONIC	Votronic HH-SI-30.3/V1.1/0 VOTRONIC Entwicklungs- und Produktionsgesellschaft für elektronische Geräte mbH Saarbrücker Str. 8 66386 St. Ingbert Germany Phone: +49-(0)6 89 4 / 92 55-0 Fax: +49-(0)6 89 4 / 92 55-88 Email: contact@votronic.com
SIM card holder incl. push button ejector and slide-in tray	Molex	Ordering numbers: 91228 91236 Sales contacts are listed in Table 12 .
U.FL antenna connector	Hirose or Molex	Sales contacts are listed in Table 12 and Table 13 .

Table 12: Molex sales contacts (subject to change)

<p>Molex For further information please click: http://www.molex.com</p>	<p>Molex Deutschland GmbH Otto-Hahn-Str. 1b 69190 Walldorf Germany Phone: +49-6227-3091-0 Fax: +49-6227-3091-8100 Email: mxgermany@molex.com</p>	<p>American Headquarters Lisle, Illinois 60532 U.S.A. Phone: +1-800-78MOLEX Fax: +1-630-969-1352</p>
<p>Molex China Distributors Beijing, Room 1311, Tower B, COFCO Plaza No. 8, Jian Guo Men Nei Street, 100005 Beijing P.R. China Phone: +86-10-6526-9628 Fax: +86-10-6526-9730</p>	<p>Molex Singapore Pte. Ltd. 110, International Road Jurong Town, Singapore 629174 Phone: +65-6-268-6868 Fax: +65-6-265-6044</p>	<p>Molex Japan Co. Ltd. 1-5-4 Fukami-Higashi, Yamato-City, Kanagawa, 242-8585 Japan Phone: +81-46-265-2325 Fax: +81-46-265-2365</p>

Table 13: Hirose sales contacts (subject to change)

<p>Hirose Ltd. For further information please click: http://www.hirose.com</p>	<p>Hirose Electric (U.S.A.) Inc 2688 Westhills Court Simi Valley, CA 93065 U.S.A. Phone: +1-805-522-7958 Fax: +1-805-522-3217</p>	<p>Hirose Electric Europe B.V. German Branch: Herzog-Carl-Strasse 4 73760 Ostfildern Germany Phone: +49-711-456002-1 Fax: +49-711-456002-299 Email: info@hirose.de</p>
<p>Hirose Electric Europe B.V. UK Branch: First Floor, St. Andrews House, Caldecotte Lake Business Park, Milton Keynes MK7 8LE Great Britain Phone: +44-1908-369060 Fax: +44-1908-369078</p>	<p>Hirose Electric Co., Ltd. 5-23, Osaki 5 Chome, Shinagawa-Ku Tokyo 141 Japan Phone: +81-03-3491-9741 Fax: +81-03-3493-2933</p>	<p>Hirose Electric Europe B.V. Hogehillweg 8 1101 CC Amsterdam Z-O Netherlands Phone: +31-20-6557-460 Fax: +31-20-6557-469</p>