

Thermador[™]

Dishwasher Installation Manual



For Models DW44ZB, DW44ZW, DW44ZS, DW44ZP, DW44FI

Thermador™

Installation Instructions

Table of Contents

IMPORTANT INSTRUCTIONS	1	Placing the Dishwasher	9
Tools Needed	2	Securing the Dishwasher	10
Materials Needed	2	Drain Hose Connection	11
Materials Supplied	3	Hot Water Connection	12
Enclosure Preparation	4	Electrical Connection	12
Electrical Preparation	5	Base and Toe Panel	13
Plumbing Preparation	6	Final Instructions	13
Dishwasher Preparation	7	Customer Service	14



IMPORTANT INSTRUCTIONS - TO BE READ WARNING - OBSERVE ALL WARNINGS AND CAUTIONS

These instructions are intended for use by qualified installers only.

In addition to these instructions, the dishwasher shall be installed:

- In accordance with all local codes or, in the absence of a local code,
- In the United States, with the National Electric Code.
- In Canada, with the Canadian Electric Code C22.1 -latest edition/Provincial and Municipal codes and/or local codes.

Read these installation instructions completely and follow them carefully. They will save you time and effort and help to ensure safety and optimum dishwasher performance.

CAUTION: If the dishwasher is installed in a location that experiences freezing temperatures (e.g., in a holiday home), you must drain all the water from the dishwasher's interior. Turn off the water supply, disconnect the drain hose, and allow your dishwasher to completely drain into an appropriate receptacle. Water system ruptures that occur as a result of freezing are not covered by warranty.

IMPORTANT

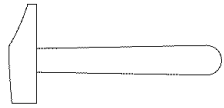
- The dishwasher drain hose must be installed with a portion of it at least 20" (508mm) off the cabinet floor; otherwise the dishwasher may not drain properly.
- Bosch dishwashers are intended for residential use only, and should not be used in commercial food service establishments.
- **NEW INSTALLATION** - If the dishwasher is a new installation, most of the work must be done before the dishwasher is moved into place.
- **REPLACEMENT** - If the dishwasher is replacing another dishwasher, check the existing dishwasher connections for compatibility with the new dishwasher, and replace parts as necessary.

Inspect the Dishwasher

After unpacking the dishwasher and prior to installation, thoroughly inspect the dishwasher for possible freight or cosmetic damage. Report any damage immediately. Cosmetic defects must be reported within 5 days of installation.

NOTE: Do not discard any bags or items that come with the original package until after the entire installation has been completed.

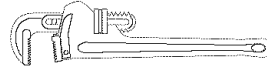
TOOLS NEEDED



Hammer



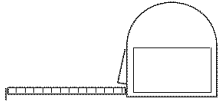
Hole Saw



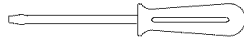
Pipe Wrench



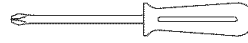
Adjustable
Wrench



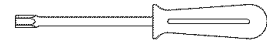
Tape
Measure



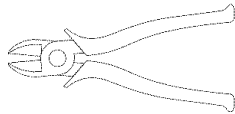
Slot
Screwdriver



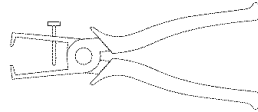
Phillips
Screwdriver



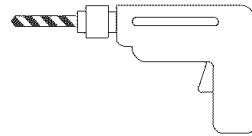
Torx
Screwdriver



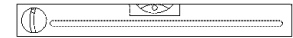
Wire Cutter



Wire Stripper



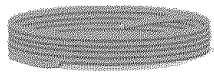
Drill



Level

MATERIALS NEEDED

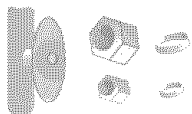
(Additional materials may be required to comply with local codes.)



Electrical Supply Cable - Minimum #14 AWG, 2 conductor, 1 ground, insulated copper conductors.



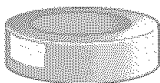
Hot Water Supply Line - Minimum 3/8" O.D. copper tubing or metal braided dishwasher supply line.



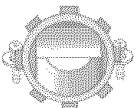
Shut-off valve and fittings appropriate for hot water supply line (copper tubing/compression fitting, or braided hose).



90° elbow with 3/8" N.P.T. male threads on one leg, and sized to fit your water supply line (copper tubing/compression fitting, or braided hose) on the other leg.



Teflon tape or other pipe thread compound to seal plumbing connections.



UL listed conduit connector or strain relief.

MATERIALS SUPPLIED

Accessory Parts Supplied

Accessory Parts for your dishwasher will come in one or more plastic bags. Check to make sure that the parts shown in Figure 1 are included with your model (NOTE: Illustrations are not to scale). If any parts are missing, contact your dealer immediately.

Manual Set Bag

All Thermador dishwashers come with a Manual Set Bag containing:

- Use & Care Manual
- Installation Instructions
- Quick Reference Guide

A. Extra Tall Item Sprinkler

DW44FI Fully Integrated models also have:

B. Panel Installation Template Sheet

Dishwasher Installation Kit (Clear Bag)

All Thermador dishwashers come with a Dishwasher Installation Kit containing:

- C. Toe Panel Screws (2)
- D. Mounting Brackets (2)
- E. Mounting Bracket Screws (2)
- F. Rubber Connection Hose (1) and Drain Hose Clamps (2)
- G. Wire Nuts (3)
- H. Junction Box Screws (2)

In addition to a Manual Set Bag and an Installation Kit Bag, DW44FI Fully Integrated models also come with a Door Panel Installation Kit (Blue bag) containing:

- I. Caps (2)
- J. Spring Tension Screw (2)
- K. Door Mounting Brackets (2 plastic) w/Screws (4);
Mounting Door Brackets (2 metal) w/Screws (4)
- L. Wood Screws (2)

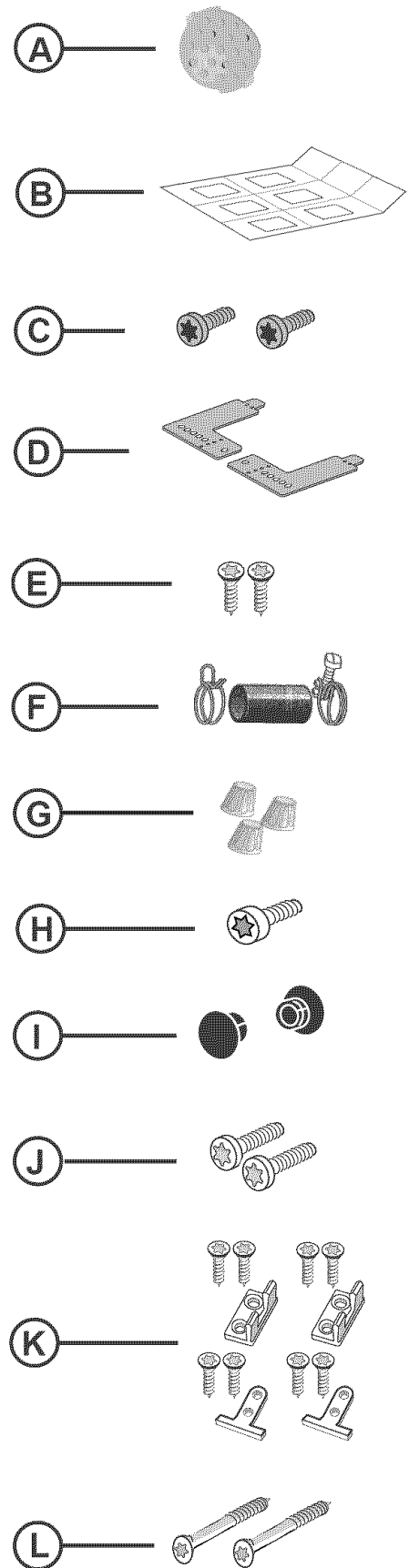


Figure 1

ENCLOSURE PREPARATION

⚠ WARNING: INJURY HAZARD - Serious injury could result if cabinet work is performed by unqualified persons. Only qualified carpenters or cabinetmakers should perform cabinet work.

NOTE: Thermador dishwashers are designed to be enclosed on the top and both sides by standard residential kitchen cabinetry.

Select a location as close to the sink as possible for easy access to water supply and drain lines.

For proper dishwasher operation and appearance, ensure that the enclosure is square and has the dimensions shown in Figure 2.

If the dishwasher is to be installed in a corner, make sure that there is adequate clearance to open the door, as shown in Figure 3, letter A.

⚠ WARNING: ELECTRICAL SHOCK/ FIRE HAZARD - Heat from the hot water supply line can cause electrical cable's insulation to break down, presenting risk of electrical shock or fire. Do not run the electrical supply cable and the hot water supply line through the same enclosure opening.

If the enclosure requires openings for the electrical supply cable, hot water supply line, and dishwasher drain hose, place them within the dimensions shown by the shaded area of Figure 4 to avoid interference with the dishwasher frame or other components. Make the openings for the electrical supply cable and hot water supply line 1" (25.4mm) diameter. Make the opening for the dishwasher drain hose 1-1/4" (32mm) diameter. If the openings are made through wood, sand them smooth. If the openings are made through metal, make them large enough to accommodate grommets or other protective sheaths with inside diameters of 1" (25.4mm) for the electrical supply cable and the hot water supply line, and 1-1/4" (32mm) for the dishwasher drain hose.

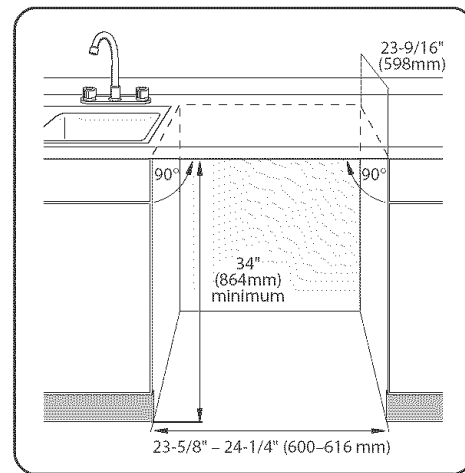


Figure 2

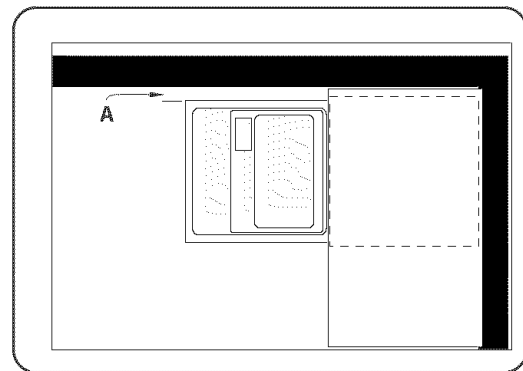


Figure 3

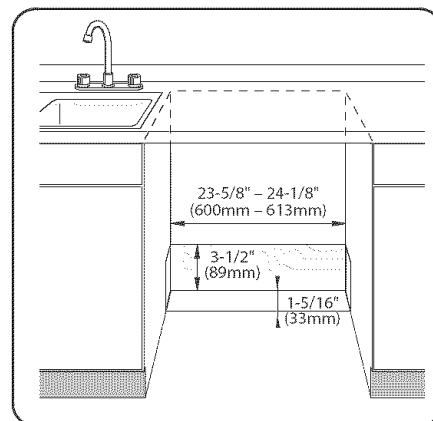


Figure 4

ELECTRICAL PREPARATION

⚠ WARNING: ELECTRICAL SHOCK HAZARD - Working on an energized circuit could result in serious injury or death. Only qualified electricians should perform electrical work. Do not attempt any work on the dishwasher electric supply circuit until you are certain the circuit is de-energized.

⚠ WARNING: FIRE HAZARD - Improper electrical work can cause fire. Only qualified electricians should perform electrical work.

Electrical Supply

The customer has the responsibility of ensuring that the dishwasher electrical installation is in compliance with all national and local electrical codes and ordinances. The dishwasher is designed for an electrical supply of 120V, 60 Hz, AC, connected to a dishwasher-dedicated, properly grounded electrical circuit with a fuse or breaker rated for 15 amps. If the dishwasher is connected with a food disposer, a 20 amp (and no higher) fuse or circuit breaker may be used. Electrical supply conductors shall be a minimum #14 AWG copper wire.

Regardless of where the electrical supply cable enters the enclosure (following the guidelines on page 8), position the cable 21" (533mm) from the enclosure's left side, as shown in Figure 5, letter A. Extend the cable 30" (762mm) from the enclosure's back, as shown in Figure 5, letter B.

Remove 3" - 4" (75mm - 100mm) of the cable's outer casing, as shown in Figure 6, letter C, then remove 3/8" - 1/2" (9 - 13mm) of insulation from each conductor, as shown in Figure 6, letter D.

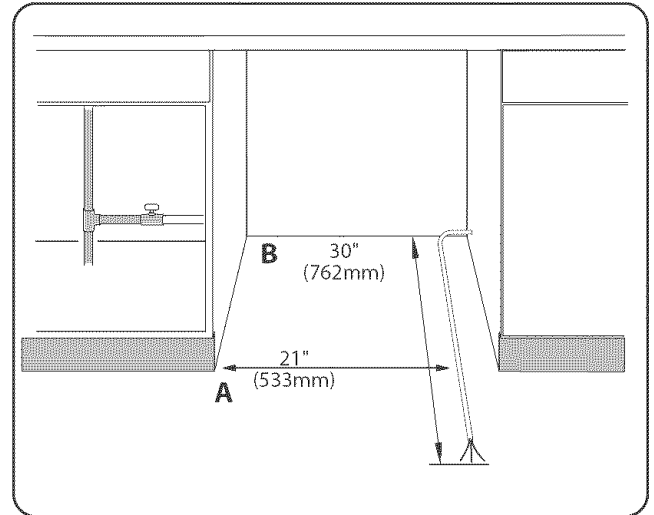


Figure 5/illus. 5

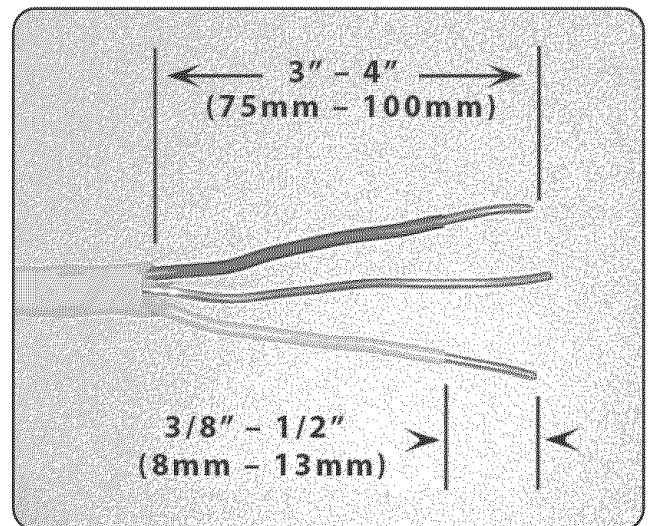


Figure 6/illus. 6

Dishwasher Electrical Rating

Volts	Hertz	Amperes	Watts
120	60	15	1,450 (max)

PLUMBING PREPARATION

⚠ WARNING: SCALD HAZARD -
Serious injury could result if work is performed on a charged hot water line. Only qualified plumbers should perform plumbing work. Do not attempt any work on the dishwasher hot water supply plumbing until you are certain the hot water supply is shut off.

CAUTION: Temperatures required for soldering and sweating will damage the dishwasher's base and water inlet valve. If plumbing lines are to be soldered or sweated, keep the heat source at least 6 inches (152.4 mm) away from the dishwasher's base and water inlet valve.

Hot Water Supply

Thermador recommends that the hot water heater be set to deliver approximately 120° F (49° C) water to the dishwasher. Water that is too hot can cause some detergents to lose effectiveness. Lower water temperatures will increase run time. The hot water supply pressure must be between 5 - 120 psi (0.3 - 8.27 bars).

Hot Water Supply Plumbing

NOTE: Regardless of where the hot water supply line enters the enclosure (following the guidelines on page 8), position the line 14" (355mm) from the enclosure's left side, as shown in Figure 7, letter A.

NOTE: Decide whether braided hose or copper tubing will be used for the hot water supply plumbing, and purchase the correct type of hot water supply shut-off valve, 90° elbow, and necessary fittings for the hot water supply plumbing.

Install an easily accessible shut-off valve (not supplied) in the hot water supply line, as shown in Figure 7, letter B.

All solder connections must be made before the water line is connected to the dishwasher's water inlet valve. Water may also be supplied to the dishwasher by using a braided hose line. Check with your local plumbing supply sources for the proper hose and 90° elbow fitting.

(Continued on next page)

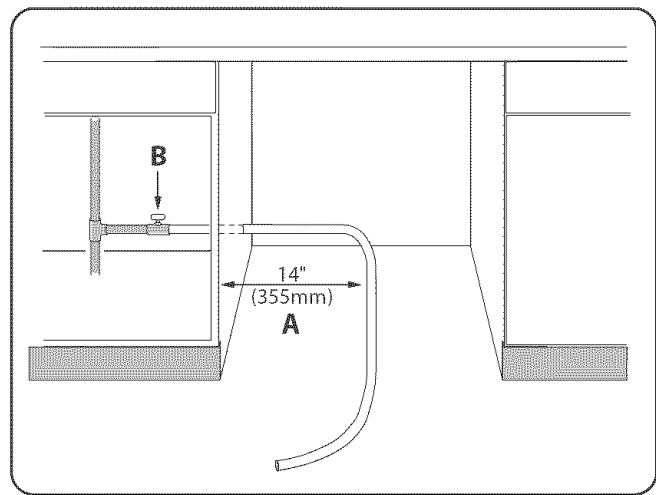


Figure 7

PLUMBING PREPARATION

(continued)

Drain Plumbing

Dishwasher Connection Piece

If the dishwasher is to drain either directly into the household drain plumbing or through an air gap, install a dishwasher connection piece under the sink, as shown in Figure 8, letter A.

Installing an Air Gap

If local ordinances require an air gap, as shown in Figure 9, letter B, install it according to the manufacturer's instructions.

Disposer

If a disposer is to be installed, as shown in Figure 10, letter C, install it according to the manufacturer's instructions. Whether the disposer is newly installed or existing, remove the disposer's dishwasher drain connection plug.

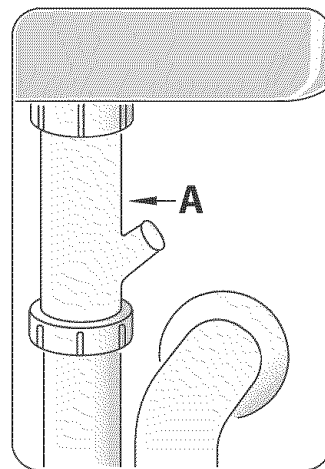


Figure 8

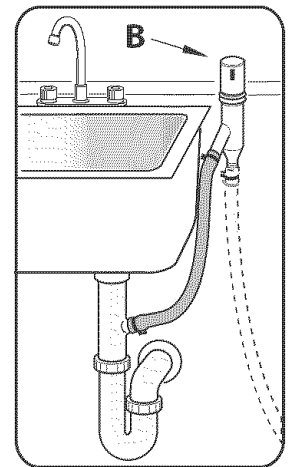


Figure 9

DISHWASHER PREPARATION

Dishwasher preparation involves four tasks:

- Installing the Mounting Brackets
- Removing the Toe Panel
- Installing the 90° elbow fitting
- Junction Box Preparation

Installing the Mounting Brackets

CAUTION: Before installing the supplied mounting brackets (letter E in the Materials Supplied section of this manual), decide which method of securing the dishwasher into its enclosure will be used. Once the mounting brackets are installed on the dishwasher, removing them is difficult and will damage the mounting brackets and the dishwasher.

The dishwasher can be secured into its enclosure in two ways:

- 1) **Top Mount** is used for countertops made of wood or other materials that can easily drilled. Orient the mounting brackets as shown in Figure 11, letter A, and position the two small tabs on the mounting brackets over the two slots on the dishwasher's front corners. Push the mounting brackets down firmly to insert the tabs into the slots.
- 2) **Side Mount** is used for countertops made of marble, granite, or other very hard materials that cannot be easily drilled. Bend the mounting brackets along the small holes and in the same direction as the two small tabs. Orient the mounting brackets as shown in Figure 11, letter B, and position the two small tabs on the mounting brackets over the two slots on the dishwasher's front corners. Push the mounting brackets down firmly to insert the tabs into the slots.

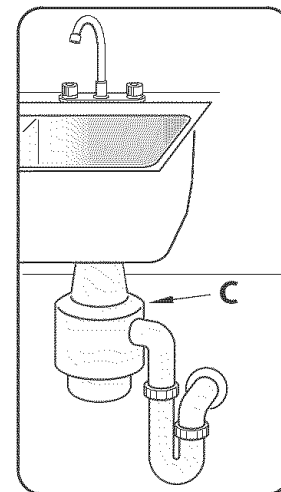


Figure 10

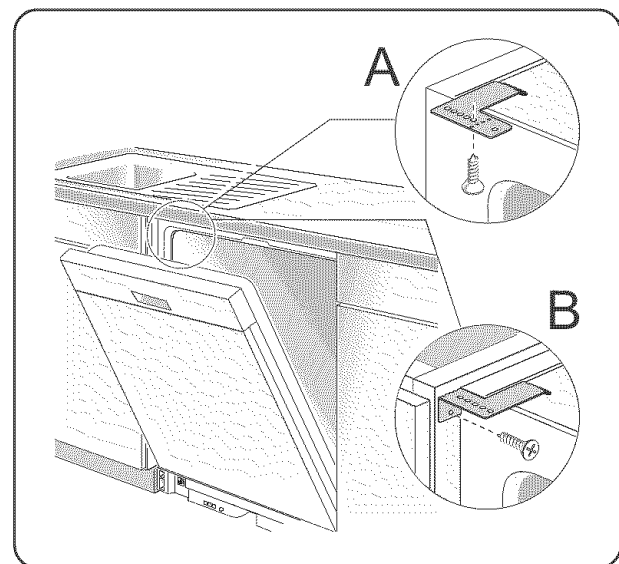


Figure 11

DISHWASHER PREPARATION

(continued)

Removing the Toe Panel

Regular Toe Panel

The toe panel is loosely attached with tape. Remove the tape and pull the toe panel away from the dishwasher. Set the toe panel aside. It will be reinstalled later.

Installing the 90° Elbow Fitting

NOTE: The 90° elbow fitting is not supplied with the dishwasher, and must be purchased separately. If the dishwasher's hot water supply line is to be copper tubing, make certain the elbow has a compression fitting. Apply Teflon tape or other pipe sealant to all threaded connectors.

Orient the hot water supply connection leg of the elbow toward the channel opening in the dishwasher base.

Junction Box Preparation

- 1) Remove the junction box cover by removing the screw on the left side of the junction box, as shown in Figure 12, letter C, and lifting the junction box cover up and off.
- 2) Remove the strain relief plate by removing the screw at the back of the junction box, as shown in Figure 13, letter D and sliding the strain relief plate out.
- 3) Set the junction box cover, strain relief plate, and screws aside. They will be re-installed later.

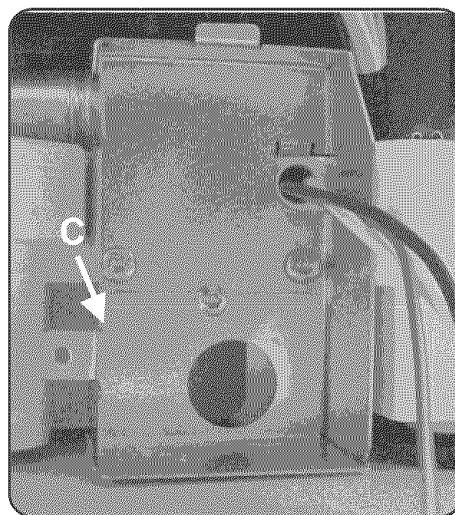


Figure 12

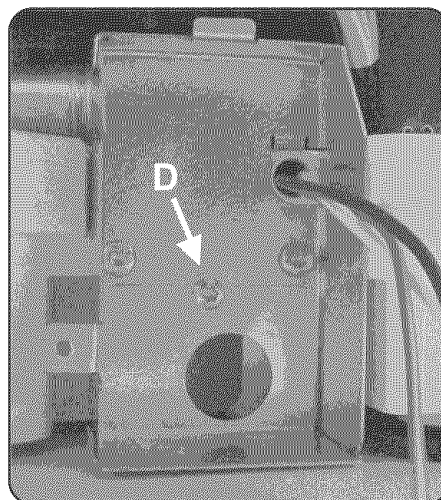


Figure 13

PLACING THE DISHWASHER

1) Straighten and position the hot water supply line and the electrical supply cable as shown in Figure 14 so that they will align with their channels under the dishwasher base.

2) Position the dishwasher close enough to the enclosure so that you can run the dishwasher drain hose to the under sink drain connection. Make certain that the hot water supply line and the electrical supply cable are in their channels under the dishwasher base, as shown in Figure 15, letter A.

3) Place the dishwasher directly in front of the enclosure.

4) Perform a level check as shown in Figure 15. Adjust the rear leveler by turning the center screw at the front of the dishwasher, as shown in Figure 16, letter B. Turning the screw clockwise raises the rear of the dishwasher. Adjust the front levelers by turning them with a screwdriver, as shown in Figure 16, letter C. Turning the levelers to the right raises the dishwasher. If additional height is needed, shims may be added under the leveler feet.

5) Push the dishwasher into the enclosure.

DOOR PANEL INSTALLATION DW44FI Fully Integrated Models - Panel Installation

The Thermador Fully Integrated model comes with additional mounting hardware and a template sheet that will show you how to mount the panel. Follow carefully the instructions on the template.

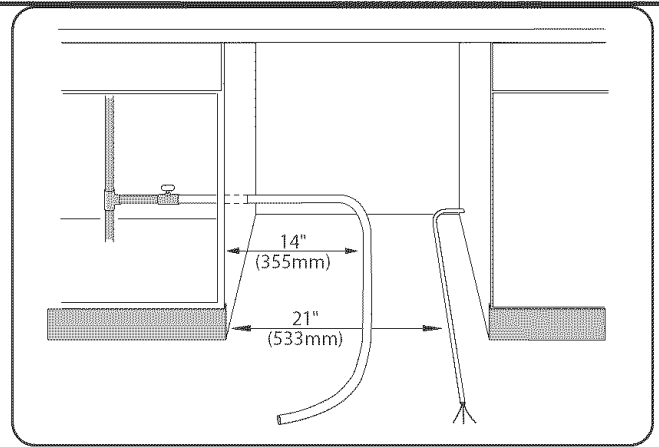


Figure 14

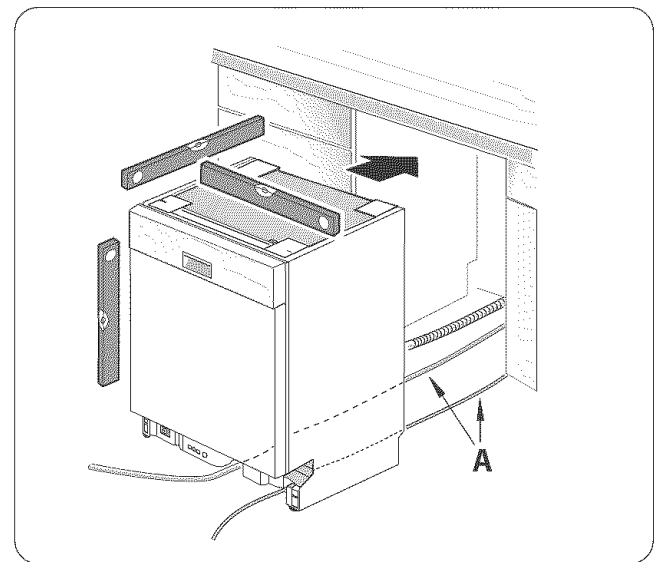


Figure 15

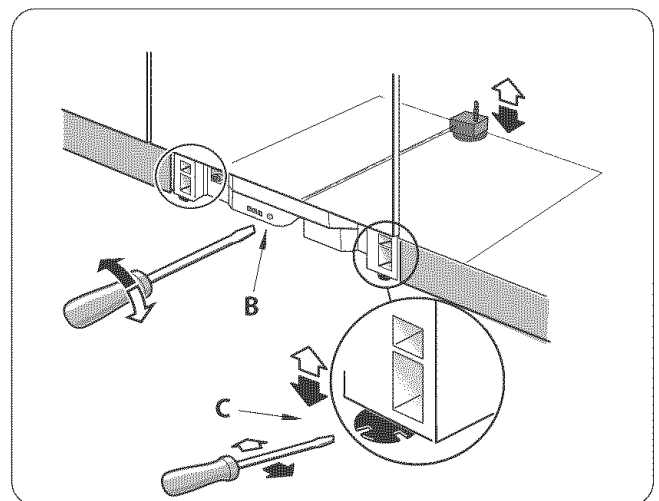


Figure 16

SECURING THE DISHWASHER

Drive the mounting screws through the holes in the mounting brackets, as shown in Figure 17, letter A for Top Mount, or as shown in Figure 17, letter B for Side mount.

DRAIN HOSE CONNECTION

The dishwasher drain hose may be connected to the drain plumbing in one of four ways:

- 1) Directly to the undersink dishwasher drain connection, as shown in Figure 18.
- 2) Directly to a disposer dishwasher drain connection, as shown in Figure 19.
- 3) To the undersink dishwasher drain connection through an air gap, as shown in Figure 20.
- 4) To a disposer dishwasher drain connection through an air gap, as shown on Figure 21.

Information on installing air gaps and disposers can be found in the Plumbing Preparation section of this manual.

NOTE: If the dishwasher drain hose is to be connected to a disposer dishwasher drain connection, remove the plug from the disposer's dishwasher drain connection. Use the supplied Rubber Connection Hose and Drain Hose Clamps (letter G in the Materials Supplied section of this manual) to connect the dishwasher drain hose to the plumbing drain connection. Use the spring clamp to secure the Rubber Connection Hose to the dishwasher drain hose. Use the screw clamp to secure the Rubber Connection Hose to the plumbing drain connection.

NOTE: If the dishwasher drain hose is connected directly to either an undersink dishwasher drain connection, as shown in Figure 18, or to a disposer dishwasher drain connection, as shown in Figure 19, form a curve in the dishwasher drain hose and secure a portion of the curve at least 20" (508mm) above the cabinet floor.

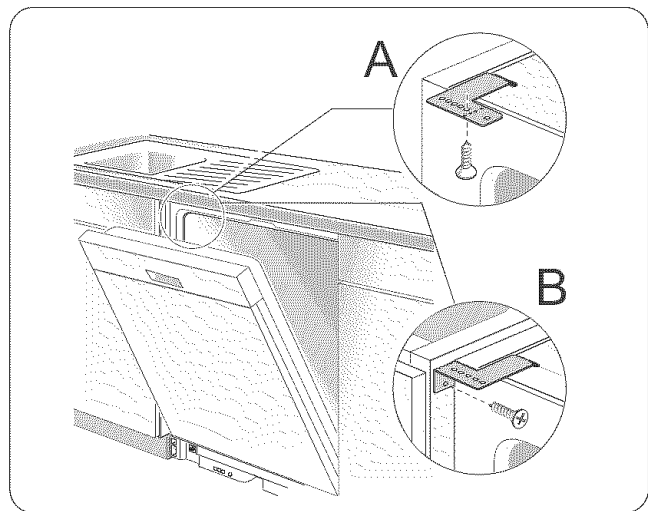


Figure 17

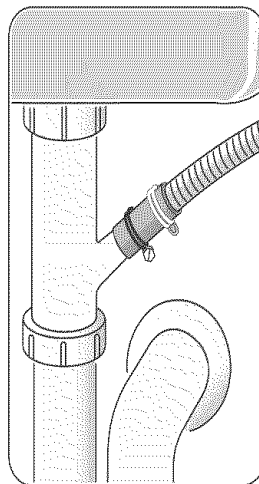


Figure 18

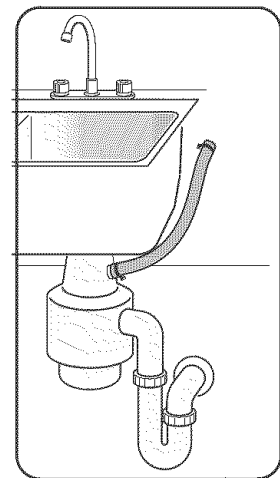


Figure 19

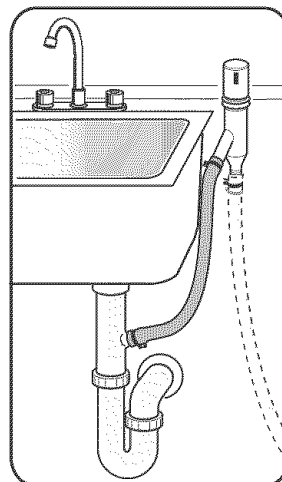


Figure 20

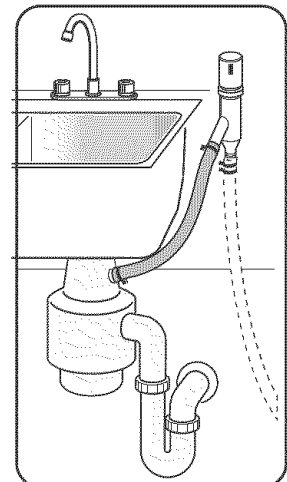


Figure 21

HOT WATER CONNECTION



WARNING: SCALD HAZARD -
Working on a charged hot water line could result in serious injury or death. Do not attempt any work on the dishwasher hot water supply plumbing until you are certain the hot water supply is shut off.

NOTE: Make certain that the correct 90° elbow fitting (not supplied) for the hot water supply line has been purchased and installed on the dishwasher as described in the Dishwasher Preparation section of this manual.

The hot water supply line may be connected to the dishwasher in one of two ways:

- 1) With braided hose
- 2) With copper tubing

Braided Hose

Ensure that all threaded connections are sealed with teflon tape or pipe thread compound.

Copper Tubing

CAUTION: Temperatures required for soldering and sweating will damage the dishwasher's water inlet valve. If plumbing lines are to be soldered or sweated, keep the heat source at least 6 inches (152.4 mm) away from the dishwasher's water inlet valve.

- If using a solder joint instead of a compression fitting, be sure to make all solder connections before connecting the water line to the dishwasher.
- Make certain there are no sharp bends or kinks in the water line that might restrict water flow.
- When connecting threaded pipe use pipe thread compound or Teflon tape to seal the connection.
- Before connecting the copper hot water supply line to the dishwasher, flush it with hot water to clear any foreign material.
- Turn on the water supply to check for leaks after making connections.

This column intentionally blank.

ELECTRICAL CONNECTION

⚠ WARNING: ELECTRICAL SHOCK HAZARD - Working on an energized circuit could result in serious injury or death. Only qualified electricians should perform electrical work. Do not attempt any work on the dishwasher electric supply circuit until you are certain the circuit is de-energized.

⚠ WARNING: FIRE HAZARD - Improper electrical work can cause fire. Only qualified electricians should perform electrical work.

Grounding Instructions

The dishwasher must be properly grounded before operating. This appliance must be connected to a grounded metal permanent wiring system, or an equipment grounding conductor must be run with the circuit conductors and connected to the equipment grounding terminal or lead on the dishwasher. Make sure that the dishwasher is connected to a suitable ground in compliance with all local codes or, in the absence of a local code, with the NATIONAL ELECTRICAL CODE in the United States or the CANADIAN ELECTRIC CODE C22.1-latest edition in Canada as well as any provincial/state or municipal or local codes that apply.

- 1) Retrieve the strain relief plate, and install a strain relief (not supplied) into the opening on the strain relief plate. NOTE: Orient the strain relief as shown in Figure 26.
- 2) Pass the electrical supply cable through the strain relief, as shown in Figure 27. Leave 3 - 4 inches of insulated wire extending through the strain relief plate.
- 3) Tighten the strain relief screws.
- 4) Slide the strain relief plate into the junction box, and secure it to the junction box with the supplied screw.

(Continued on next page)

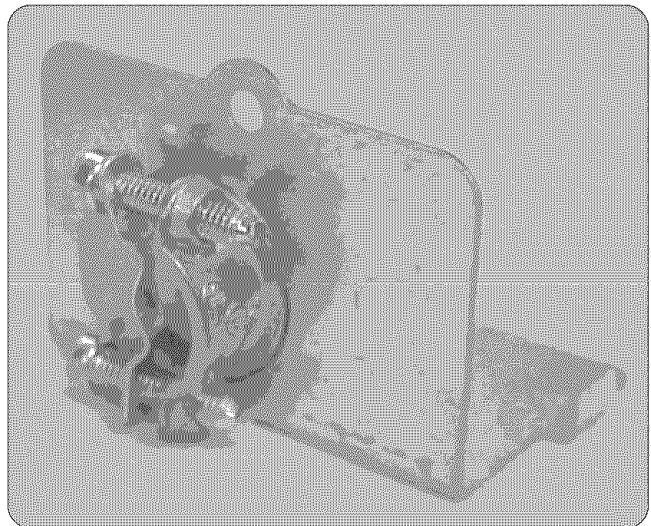


Figure 26

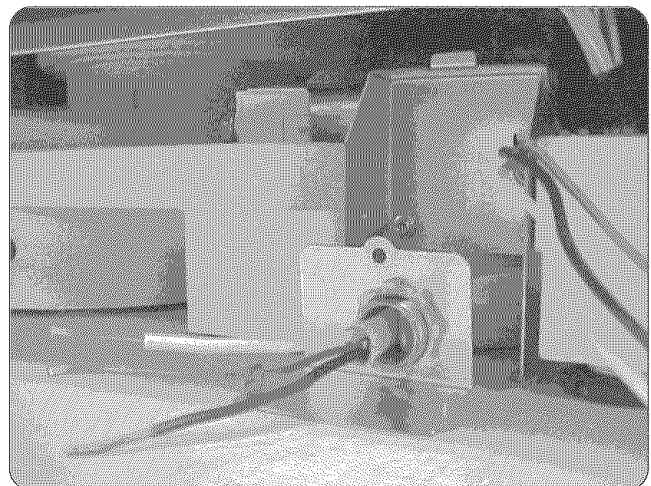


Figure 27

ELECTRICAL CONNECTION

(continued)

⚠ WARNING: FIRE HAZARD - LOOSE OR IMPROPER ELECTRICAL CONNECTIONS CAN CAUSE FIRE. MAKE CERTAIN THAT ALL ELECTRICAL CONNECTIONS ARE PROPERLY MADE.

- Do not pre-twist the wires before connecting them with wire nuts.
 - Extend the dishwasher's stranded wires 1/8" (3mm) beyond the power supply cable's solid wires, as shown in Figure 22.
- 5) Using the supplied wire nuts, connect the electrical supply wires to the dishwasher's wires, black to black, white to white, and green or bare to green or bare. Make certain that the insulated wires show no bare wire from the bottoms of the wire nuts. Gently tug the wires to make certain they are securely connected.
 - 6) Press the wires into the junction box. Make certain that the wire nuts do not loosen.
 - 7) Place the cover on the junction box and secure it to the junction box with the supplied screw.

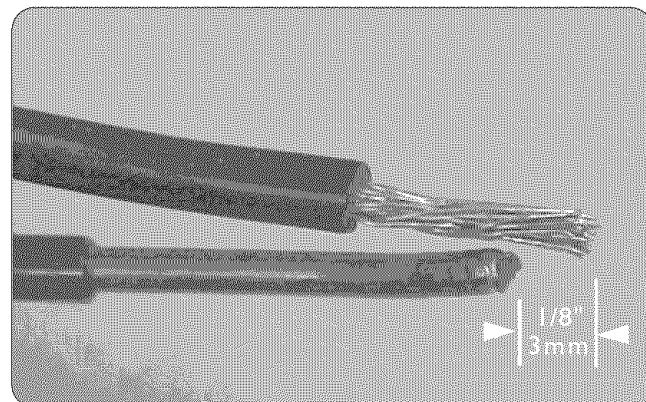


Figure 22

BASE AND TOE PANEL

Regular Toe Panel Installation

Use the toe panel screws (Figure 1, letter D) from the Dishwasher Installation Kit and a Torx screwdriver to install the toe panel as shown in Figure 23.

FINAL INSTRUCTIONS

- 1) Energize the dishwasher power supply circuit.
 - 2) Consult the Thermador Dishwasher Use and Care Manual, and run the dishwasher through one complete cycle.
- If the dishwasher does not operate properly, refer to the Self-Help section of the Use and Care Manual. If the dishwasher still does not operate properly, refer to the Customer Service Section of the Use and Care Manual.

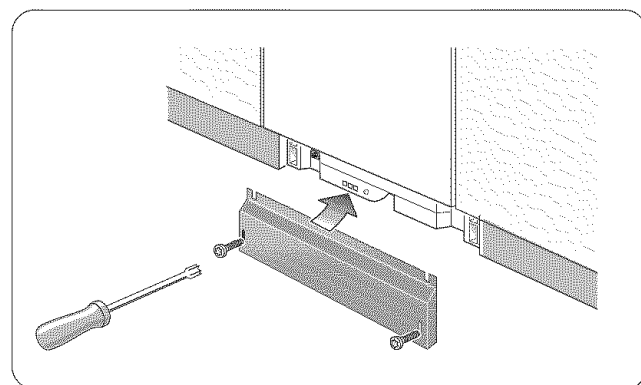


Figure 23

CUSTOMER SERVICE

Your Thermador dishwasher requires no special care other than that described in the Care and Cleaning section of the Use and Care Manual. If you are having a problem with your dishwasher, before calling for service please refer to the Self-Help section of the Use and Care Manual. If service is necessary, contact your dealer or installer or an authorized service center. Do not attempt to repair the appliance yourself. Any work performed by unauthorized personnel may void the warranty.

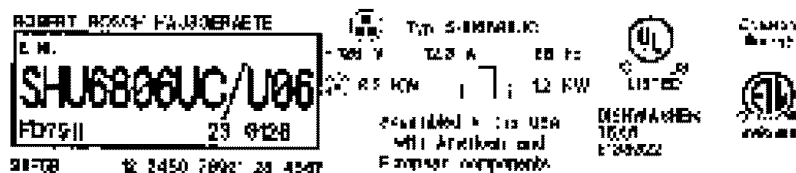
If you are having a problem with your Thermador dishwasher and are not pleased with the service you have received, please take the following steps (in the order listed below) until the problem is corrected to your satisfaction.

1. Contact your installer or the Thermador Authorized Service Contractor in your area.
2. E-mail us from the customer service section of our website, www.thermador.com.
3. Write us at the address below:
BSH Home Appliances, Corp.
5551 McFadden Avenue
Huntington Beach, CA 92649
4. Call us at 1-800-944-2904.

Please be sure to include (if you are writing), or have available (if you are calling), the following information:

- Model number
- Serial number
- Date of original purchase
- Date the problem originated
- Explanation of the problem

Also, if you are writing, please include a daytime phone number where you can be reached. You will find the model and serial number information on the label located on the right-hand side of the inner door of your dishwasher, see Figure 1. It will look similar to this:



Please make a copy of your invoice and keep it with this manual.

Thermador™

5551 McFadden Avenue, Huntington Beach, CA 92649 800/735-4328
9000001005 (8401) © 2004 BSH Home Appliances Corp.