



TP-9200

Card Printer

User's Manual



T.I.T ENG Co., Ltd.
TECHNOLOGY IN TECHNOLOGY

Contents

Models	Features
TP-9200	Auto Feed Card Printer
TP-9000	Manual Feed Card Printer

Contents

Caution	04
----------------------	----

1. Getting Started

1.1 Introduction	07
1.2 Contents in Package	07
1.3 Printer Components	08
1.4 Loading Cleaning Roller	12
1.5 Loading Ribbon	13
1.6 Loading Cards	14
1.7 Using Magnetic Stripe Cards.	15
1.8 Card Output Stacker	15
1.9 Power Device, Power Cable, Communication Cable ...	16

2. Driver/Software Installation

2.1 Installing Driver / Application	17
2.2 Installing USB Device Driver	21
2.3 Removing Driver / Application	23
2.4 Removing USB Device Driver	23
2.5 Issues associated with Windows Vista and Windows 7 ..	24
2.6 Printing with Card Printer	26
2.7 Printer Driver Settings	30
2.8 Network Configuration Settings (Option)	37
2.9 Useful function of Pointman Card Printer	40





3. Software Operation

3.1 Getting Started	41
3.2 Description on Features	41
3.3 Designing Card	41
3.4 Tools	45
3.5 Configuration	46
3.6 Data Synchronizing	47
3.7 Card Printing	52

4. Instructions on Maintenance

4.1 Maintenance of Product	54
4.2 How to Clean the Printer	55
4.3 Troubleshooting	58
4.4 Technical Specifications	61



CAUTION

User should read caution information and keep in mind before use. Different icons remind important information as to safety. **T.I.T. Eng Co., Ltd** is not responsible for physical harm to body or physical damage to the product occurred by user's careless use.

DANGER

DANGER

Warns user of risk of losing life or being seriously injured.



WARNING

Warns user of risk of being seriously or slightly injured, or damage to product.



CAUTION

Warns user of slight damage to body.



NOTE

Indicates information that supplements detailed information.

The information in this user manual is subject to change without notice.

**DANGER*****DANGER***

Warns user of risk of losing life or being seriously injured.

POWER

- Do not use damaged power cord, plug or socket.
- Do not pull plug with power cord.
- Do not touch power plug with wet bare hand.
- Do not bend power cord or put heavy things on the power cord.
- Unplug during thunder and lightning or storage

INSTALLATION

- Do not place the printer in wet, dirty place.
- Do not put lightings on the printer. Put the printer away from heat source.
- Unplug while moving the printer.
- Put the printer away from flammable source.

CLEANING

- Keep the plug dry and clean
- Unplug the printer before cleaning. Do not use water or chemical cleanser.

MISCELLANEOUS

- Take care not to spill any liquid on the printer
- In case of abnormal situation in the printer, unplug the printer immediately and contact your dealer.
- Make sure that you use the adequate power adaptor.



CAUTION

Warns user of slight damage to body.

INSTALLATION

- Do not put the printer on unstable place.
- Avoid direct sunlight.

MISCELLANEOUS

- Do not disassemble cover or protection parts.
- When you put hand inside the printer, do not operate it.
- Make sure that you perform cleaning and maintaining according to the instructions.
- Do not disassemble, repair, modify.
- Do not put heavy things on the printer.



1 Getting Started

1.1 Introduction

Thank you for choosing the Pointman TP-9200 and TP-9000 for your valuable card printer. Before you set up the printer, please read this user manual for your secure and enjoyable use of Pointman card printer.

This card printer enables user to create cards easily and shortly in accordance with the card specifications you wish to get.

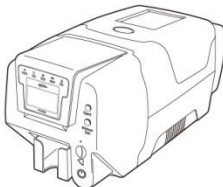
You can get high quality color image with the card printer of dye sublimation printing. In order to meet customers' requirements, it provides options such as magnetic stripe, IC(Contact), RF(Contactless) encoding, automatic duplex as well as bar code, diagram, picture printing.

It is useful for creating bank cards, membership cards, loyalty cards and identification cards on PVC card.

1.2 Contents in Package



TP-9000



TP-9200



**BLUE
CLEANING ROLLER**



POWER ADAPTOR



POWER CABLE



**USB
PRINTER
CABLE**



**SOFTWARE
CD**



**STACKER
(TP-9200 only)**

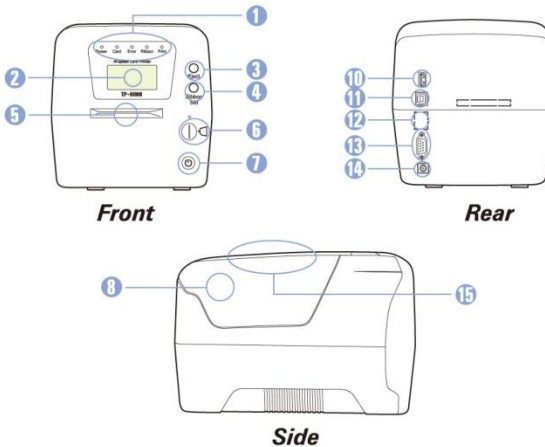


USER MANUAL

***Please make sure that printer and all the accessories are in good order.
If any items are missing, please contact your dealer.***

1.3 Printer Components

*** TP-9000 (Manual Feeding, Single-side Printing)**



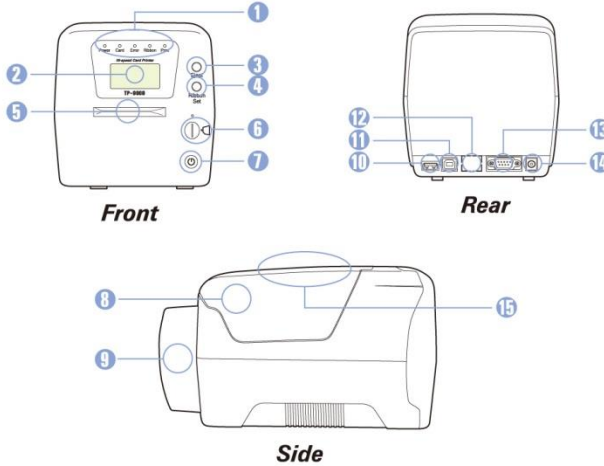
*** Features Description**

No	Name	Description
1	LED Display	LED shows the status of printer
2	LCD Display	LCD panel displays the status of printer
3	Card Eject Button	Button for card eject from printer inside
4	Ribbon Set Button	Button for replacing or repositioning ribbon
5	Single Feed Slot	One by one manual feed and Cleaning card slot
6	Mobile Chip Slot	Mobile chip socket (Optional)
7	Power Button	Power on and off
8	Printer Lid	Open the lid to load a cleaning roller and a ribbon
9	Flipper	Automatic Dual Side Printing (Optional)
10	USB Socket	Used for memory stick HUB
11	USB Port	Used for connecting USB cable between a PC and Card Printer
12	Ethernet Port	Used for connecting Network cable between a PC and Card Printer
13	RS232C Port	Used for connecting RS232C cable between a PC and Card Printer
14	Power Socket	Used for supplying power
15	External RF	External RF Card Read/Write Station (Optional)

Even though we have three different models of TP series, since there is no big difference in operating them, user manual is designed for TP-9200 Dual Sided as main reference.



*** TP-9000 (Manual Feeding, Dual-side Printing)**

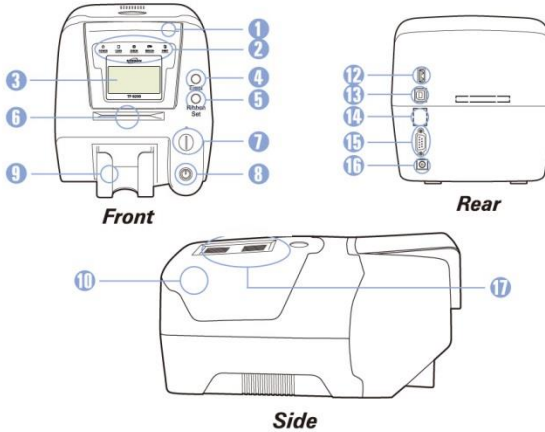


*** Features Description**

No	Name	Description
1	LED Display	LED shows the status of printer
2	LCD Display	LCD panel displays the status of printer
3	Card Eject Button	Button for card eject from printer inside
4	Ribbon Set Button	Button for replacing or repositioning ribbon
5	Single Feed Slot	One by one manual feed and Cleaning card slot
6	Mobile Chip Slot	Mobile chip socket (Optional)
7	Power Button	Power on and off
8	Printer Lid	Open the lid to load a cleaning roller and a ribbon
9	Flipper	Automatic Dual Side Printing (Optional)
10	USB Socket	Used for memory stick HUB
11	USB Port	Used for connecting USB cable between a PC and Card Printer
12	Ethernet Port	Used for connecting Network cable between a PC and Card Printer
13	RS232C Port	Used for connecting RS232C cable between a PC and Card Printer
14	Power Socket	Used for supplying power
15	External RF	External RF Card Read/Write Station (Optional)

Even though we have three different models of TP series, since there is no big difference in operating them, user manual is designed for TP-9200 Dual Sided as main reference.

***TP-9200 (Automatic Feeding, Single-side Printing)**



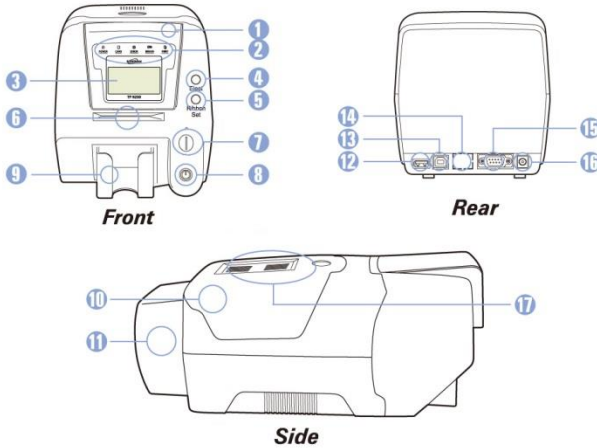
*** Features Description**

No	Features	Description
1	Input Hopper	Loads card to print up to 100 cards
2	LED Display	LED shows the status of printer
3	LCD Display	LCD panel displays the status of printer
4	Card Eject Button	Button for card eject from printer inside
5	Ribbon Set Button	Button for replacing or repositioning ribbon
6	Single Feed Slot	One by one manual feed and Cleaning card slot
7	Mobile Chip Slot	Mobile chip socket (Optional)
8	Power Button	Power on and off
9	Output Stacker	Printed cards stacker up to 75 cards
10	Printer Lid	Open the lid to load a cleaning roller and a ribbon
11	Flipper	Automatic Dual Side Printing (Optional)
12	USB Socket	Used for memory stick HUB
13	USB Port	Used for connecting USB cable between a PC and Card Printer
14	Ethernet Port	Used for connecting Network cable between a PC and Card Printer
15	RS232C Port	Used for connecting RS232C cable between a PC and Card Printer
16	Power Socket	Used for supplying power
17	External RF	External RF Card Read/Write Station (Optional)

Even though we have three different models of TP series, since there is no big difference in operating them, user manual is designed for TP-9200Dual Sided as main reference.



***TP-9200 (Automatic Feeding, Dual-side Printing)**

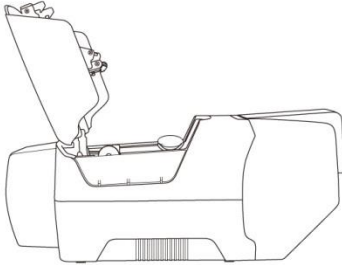


*** Features Description**

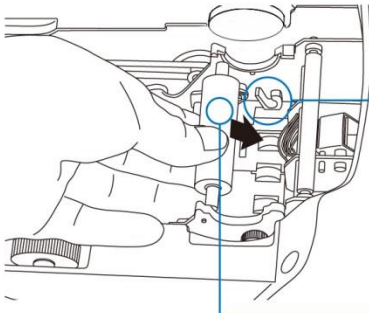
No	Features	Description
1	Input Hopper	Loads card to print up to 100 cards
2	LED Display	LED shows the status of printer
3	LCD Display	LCD panel displays the status of printer
4	Card Eject Button	Button for card eject from printer inside
5	Ribbon Set Button	Button for replacing or repositioning ribbon
6	Single Feed Slot	One by one manual feed and Cleaning card slot
7	Mobile Chip Slot	Mobile chip socket (Optional)
8	Power Button	Power on and off
9	Output Stacker	Printed cards stacker up to 75 cards
10	Printer Lid	Open the lid to load a cleaning roller and a ribbon
11	Flipper	Automatic Dual Side Printing (Optional)
12	USB Socket	Used for memory stick HUB
13	USB Port	Used for connecting USB cable between a PC and Card Printer
14	Ethernet Port	Used for connecting Network cable between a PC and Card Printer
15	RS232C Port	Used for connecting RS232C cable between a PC and Card Printer
16	Power Socket	Used for supplying power
17	External RF	External RF Card Read/Write Station (Optional)

Even though we have three different models of TP series, since there is no big difference in operating them, user manual is designed for TP-9200Dual Sided as main reference.

1.4 Loading Cleaning Roller

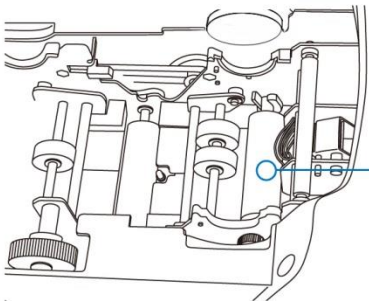


- 1 Open the printer's lid by pressing Cover Open Button and raise it fully.



U-shaped Slot

- 2 Slide the cleaning roller into the loading part and insert roller bar into U-shaped slots until it locks in place.

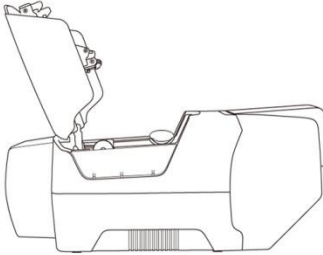


Blue Cleaning Roller

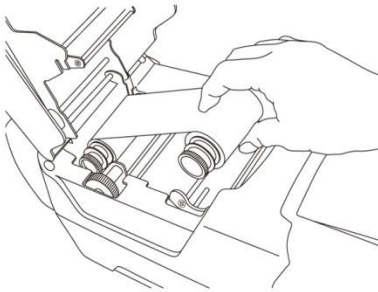
Load a new cleaning roller or wash a used cleaning roller with each roll of printer ribbon.



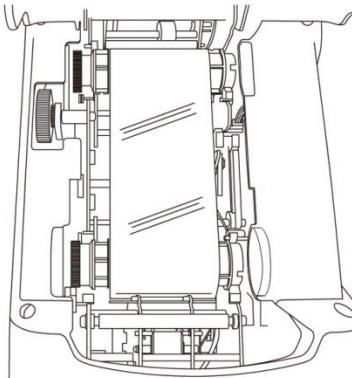
1.5 Loading Ribbon



- 1 Open the printer's lid by pressing Cover Open Button and raise it fully.

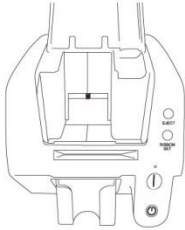


- 2 Place the supply spool into the front slots and the take-up spool into the rear slot. Firmly close the printer lid.

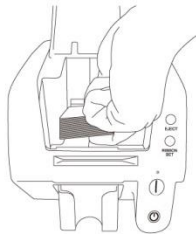


Please note that improper closing lock of the printer lid may cause bad printing. (Check out lock of the printer lid)

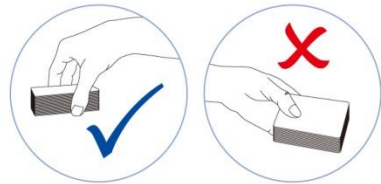
1.6 Loading Cards



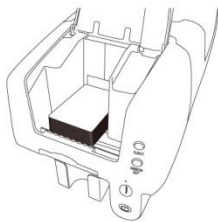
1 Open the card feeding lid.



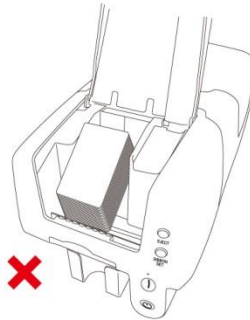
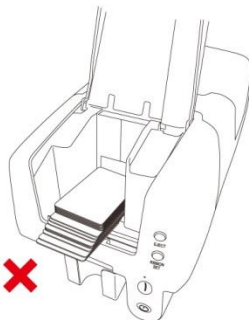
2 Load new cards to print at the input hopper well as shown in the picture.



3 Please be sure that the cards were stacked well as instructed in the picture



Wrong Card Stacking could be a cause of card feeding error.

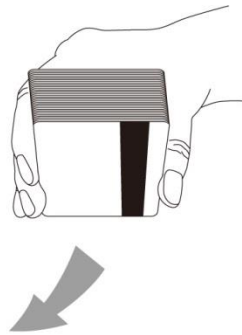
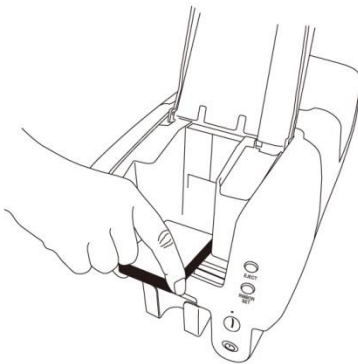




1.7 Using Magnetic Stripe Cards.

If your printer have the option of magnetic stripe encoding, you can print and encode the magnetic stripe (ISO 7811 track 1,2,3, Hi-Co/Lo-Co)

When you load magnetic stripe cards into card input hopper, please make sure the magnetic stripe should be on the bottom and to the right.

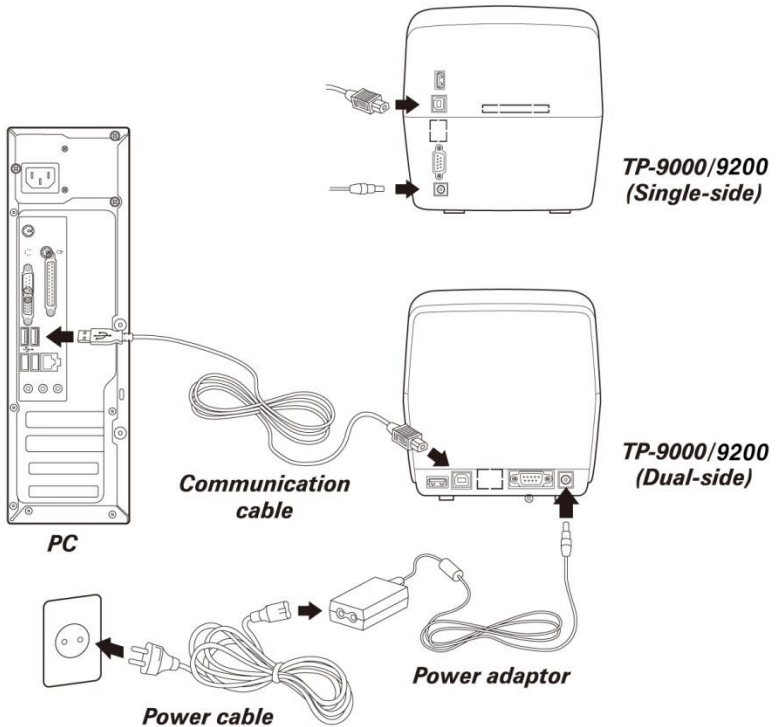


1.8 Card Output Stacker



- 1 Lock the card output stacker into slots of the front side.

1.9 Power Device, Power Cable, Communication Cable



Use only USB cable provided by Pointman and PC having authentic USB 2.0.



2 Driver / Software install

* PC Systems requirement

- The following operation systems are supported:
 - Windows 2000
 - Windows XP (32/64bit)
 - Windows Vista (32/64bit)
 - Windows 7 (32/64bit)
- Computer:
 - CPU: Pentium III 1Ghz above (Pentium IV 1.5Ghz recommended)
 - Memory: 128 MB above (512 MB recommended)
 - H DD: 1 GB above (5 GB recommended)
 - Internet Explorer 5.5 above (6.0 recommended)

To install/remove the driver/software on Windows 2000/XP/Vista/7, you must be logged in as the administrator.

2.1 Installing Driver / Application

Close all windows in operation (Recommended)

- 1 Putting the Pointman Driver/Software CD into the CD-ROM Drive of the computer, the installation window will open automatically.
Or click Install.exe.

- 2 The initial window of Card Printer installation program like the following will automatically open.
Click **Start** to start installation process.



- 3 Select the software you wish to install. Click **Next**.





- 4 After reading license agreement for the software installation, select **Agree** and then click **Next**.



- 5 Select the port type you wish to install. Click **Next**.



- 6 If Network Software is selected, this window will be shown and it will display an IP address by automatically searching the Network to which the printer is connected.



- [Search] button: This searches Network Board.
- [Config] button: This configures Network architecture.
- [Input by User]: If an IP address is not searched automatically, you can create a port by inputting an IP address directly. You should use this feature in case that you can't search an IP address even though Network Setting is done.
- If an IP address on the right-hand box next to Network Printer is not searched, you may configure it by clicking Config button. Please refer to the Network Configuration Settings section.
- If an IP address is "192.168.0.31", network printer port will be address as "IP_192.168.0.31".



Caution:

If you stop the document printing, the file in printing can be mixed up with other spooled file.



- 7 When installation is completed, please click **Exit**.



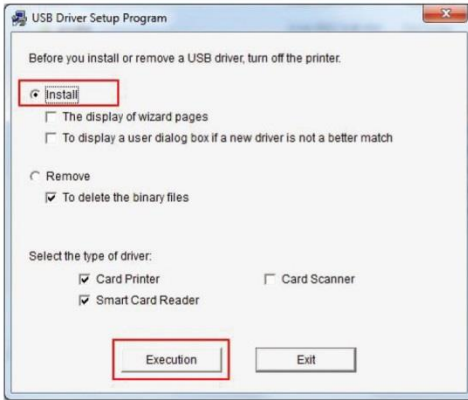
- 8 Check out the selected software is installed.

- (1) Check out **Card Designer Software** installation.
 - Go to **Start** ⇒ **All Programs** ⇒ **POINTMAN** ⇒ **Card Designer**
- (2) Check out **Card Printer Driver** installation
 - Go to **Start** ⇒ **All Programs** ⇒ **POINTMAN** ⇒ **Printer**
 - Go to **Card Printer** in Printers folder
- (3) Check out **Network software** installation (**Option**)
 - Go to **Start** ⇒ **All Programs** ⇒ **POINTMAN** ⇒ **Network**
- (4) Check out **Scanner software** installation (**Option**)
 - Go to **Start** ⇒ **All Programs** ⇒ **POINTMAN** ⇒ **Scanner**

2.2 Installing USB Device Driver

Close all windows in operation (Recommended)

- 1 Click CitSetup.exe in USB folder.
- 2 Choose Install and then click Execution button. Please wait while the setup installs the driver.



3 Setup has finished installing the device software. Click Exit to close the program.

4 Plug the card printer device into the computer.

5 Check the installed device in Device Manage.
Go to **Start** ⇒ **Control Panel** ⇒ **System** ⇒ **Hardware**
⇒ **Device Manager**

(1) **“PLASTIC CARD PRINTER”** in Universal Serial Bus controllers.





(2) “**Smart Card Reader**” in Smart card readers. (**Option**)

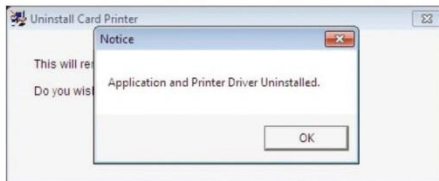


2.3 Removing Driver / Application

1 Go to **Start** ⇒ **All Programs** ⇒ **POINTMAN** ⇒ **Printer** ⇒ **Uninstall**. And then click **Yes**.



2 When uninstallation is complete, click **OK**.

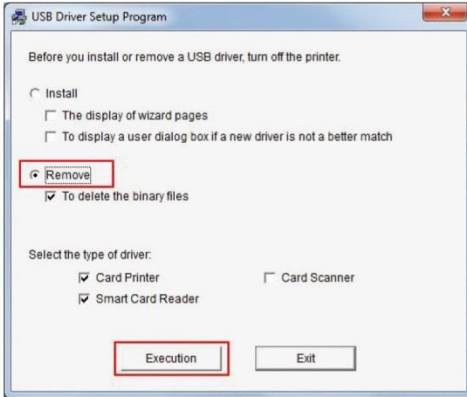


2.4 Removing USB Device Driver

1 Please turn off the card printer device.

2 Click **CitSetup.exe** in USB folder.

- 3 Choose **Remove** and then click **Execution** button.
Please wait while Setup removes the device.



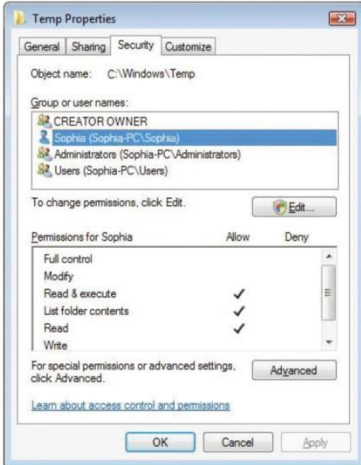
- 4 Setup has finished uninstalling the device software.
Click **Exit** to close the program.

2.5 Issues associated with Windows Vista and Windows 7

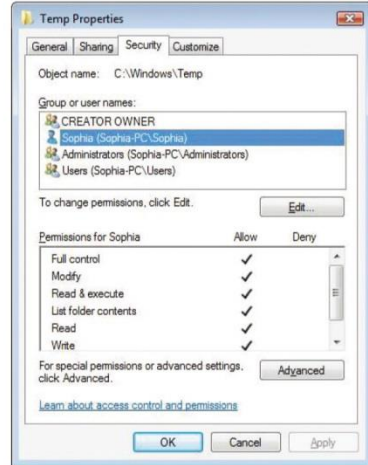
The user-right of Temp folder on Windows folder in hard disk (ex: "C:") where Windows OS is installed should be changed to "Full control".

- 1 Go to "Computer => C: drive => Windows" and Select Properties of "Temp" folder by clicking the right mouse button.
- 2 When "Temp Properties" is shown, please select "Security".

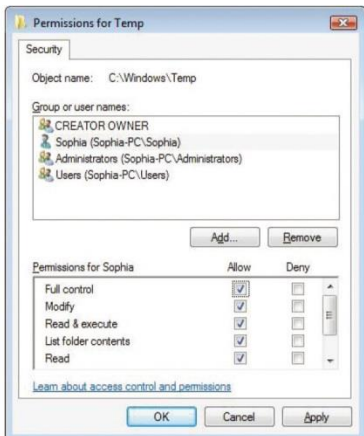
< Before >



< After >



- 3 Select the user who is logged on when you started Windows among the lists of "Group or user names" (e.g. Sophia) and click "**Edit**". After clicking the user name (e.g. Sophia), allow "Full Control" among the lists of "Permissions for Sophia" and click "**OK**" button in order to save this new setting.

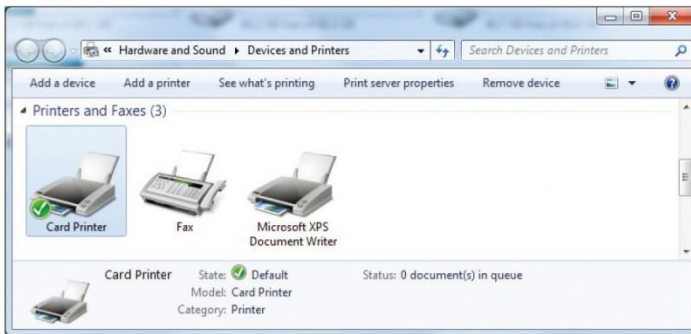


- 4 When "**Temp Properties**" is shown, click "**OK**"

2.6 Printing with Card Printer

* Setting up as the default printer

- 1 Click **Start**, point to **Settings**, and click **Printers and Faxes**.
- 2 Right-click the **Card Printer**, and select **Set as default printer**.



* Changing the printer port (For Driver Printing)

- 1 Click **Start**, point to **Settings**, and click **Printers and Faxes**.
- 2 Right-click the **Card Printer**, and select **Properties (or Printer Properties)**.
- 3 Select the **Ports (or Details)** Tab.
- 4 Click the **Print to the following port** to find the port and select the printer port. Click **OK**.
 - Printing to USB Port: **CITUSB**
 - Printing to Network Port: **IP_192.168.0.31**
(For example – Refer to 2.8 Network Configuration Settings section and choose the port (IP address) you want to use)



If the driver is installed successfully, "Enable bidirectional support" is selected automatically. If you meet a problem when you print through network port, please unselect "Enable bidirectional support" and proceed the printing.

* Changing the printer port (For Direct Printer Commands)

- 1 Go to **Start** ⇒ **All Programs** ⇒ **POINTMAN** ⇒ **Card Designer** ⇒ **Card Designer**.
- 2 Click **Print** and then select "**Card Printer (Direct)**". Then, click "**Setup**" button.



- 3 Select the printer port. **USB** or **TCP/IP**



- 4 Then, click "Save" button

* Printing a Card

- 1 Open file of the Windows application software you wish to print.
- 2 Select the **Print** in the **File** menu.
- Make sure that you choose **Card Printer**.
- 3 Select the printer settings you wish to print. Click **Print** or **OK**.
- Ensure that the printing image is oriented in same direction (vertical, horizontal) as that of paper. Preview function of software will help you check it out.

There are two ways to cancel printing.

- Canceling in application software and canceling in spool in a queue.

If a card jams whilst being printed, press the EJECT button at the front of the printer.

Please do not open the printer cover by pressing "Open" button during the operation. If the printer cover is opened during the operation, the printer would be stopped automatically.

Keeping your printer operating with printer cover open, you can have the risk of injuries. If you have any trouble, please contact your dealer or the manufacturer.



* Canceling in Spool

Spooled files queue up for being sent to printer.

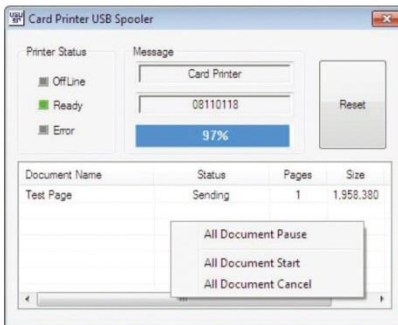
- 1 Double click printer icon in menu bar in bottom right.
- 2 If user wishes to change settings, right click on the printer icon.



Spool program resume when printing in operating again, even though you have already terminated it.

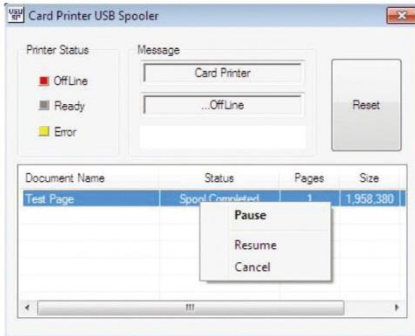
- **About:** Shows the information of the spooler program.
- **Information:** Shows the spooler window.
- **Hide after printing:** The spooler window will be disappeared after printing jobs are completed.
- **Always on top:** Set the spooler window on the top always.
- **Display while printing:** Display the spooler window when starting the printing.
- **Exit:** Exit the spool program.

- 3 Set up all spooled file prior to printing.



Right click button on the printing standby. You can select one of All Document Pause, All Document Start and All Document Cancel.

4 Set up of spooled file in printing.



Click right button on spooled file in printing. You can select one of Pause, Resume and Cancel.



Caution:
If you stop the document printing, the file in printing can be mixed up with other spooled file.

2.7 Printer Driver Settings

User can set up own printing environment with various functions the printer provides.

* Opening in printer folder

You can modify the printer settings for all applications.

- 1 Click **Start**, point to **Settings**, and click **Printers and Faxes**.



- 2 Right-click **Card Printer**, select **Properties** (or **Printing Preferences**) and make the desired modifications.
- 3 Click each tab and window will open.
- 4 Upon completing settings, click **OK**.

* **Opening Printing Preferences on application software**

The values input in printing program will get back to previous one when current operating program terminates.

- 1 Execute printing order in application program.
- 2 Click **Printing Preferences**.
- 3 Click each tab and windows will open.
- 4 Upon completing settings, click **OK**.



NOTE:

You can find out the detail description for the printing preference at the next page.