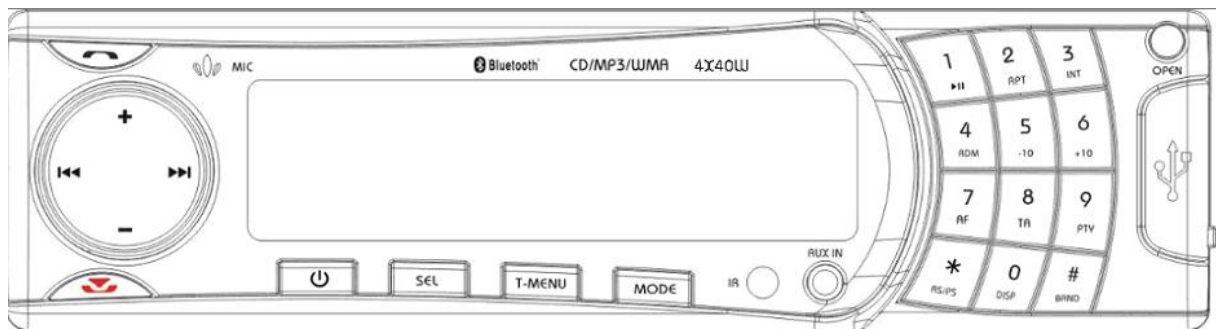


INSTRUCTION MANUAL

MODEL: KSC105B



ENCODING(CD/TUNER/AUX to USB/SD-MMC CARD)

DECODING USB/ SD-MMC/ CD PLAYER

FIRMWARE UPGRADABLE

ELECTRONIC ANTI-SHOCK


AM/FM RDS EON Receiver

USB SOCKET, SD/MMC CARD SLOT

MP3, WMA, OGG COMPATIBLE

BLUETOOTH

CONTENTS

CONTENTS	01
PRECAUTION	02
ACCESSORY	03
INSTALLATION (UN-INSTALLATION)	04
WIRING DIAGRAM	05
CONTROL PANEL	06
BASIC OPERATION	
 T-MENU	07
OPEN	07
SD CARD SOCKET	07
DISC SLOT	07
DISC EJECT	07
T (Tune, Track) UP / DOWN	07
VOLUME +/-	07
POWER/MUTE	07
SEL	07
MODE	08
Digit keys0~9, *, #.....	08
PAUSE	08
RPT.....	08
INT.....	08
RDM.....	08
RDM.....	08
-10/+10	08
DISP/REC.....	08
PRESET Station 1~6.....	08
AF/REG.....	08
TA/TP.....	08
PTY.....	09
AS/PS.....	09
BAND/ENT.....	09
USB SOCKET	09
FLASHING LED LIGHT	09
RESET	09
AUX IN	09
MIC	09
IR Remote Control Window.....	09
BLUETOOTH SECTION	10
Basic Telephone Operation	10
FILE MANAGEMENT OPERATION	11
IR REMOTE CONTROL	13
SPECIFICATION & FEATURE	14
TROUBLESHOOTING	15

PRECAUTION

This unit is designed and manufactured with consideration of user's safety, however any improper use or operation may result in a certain hazard or misuse. So it is highly recommended to read this manual thoroughly and adhere to the following precaution.

SAFETY PRECAUTION

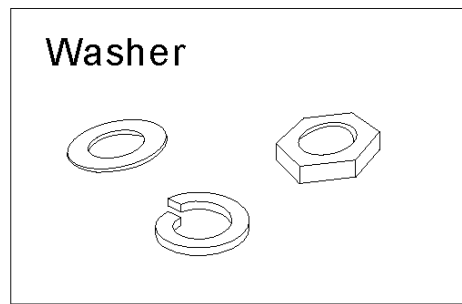
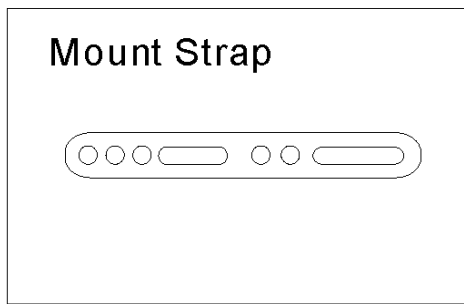
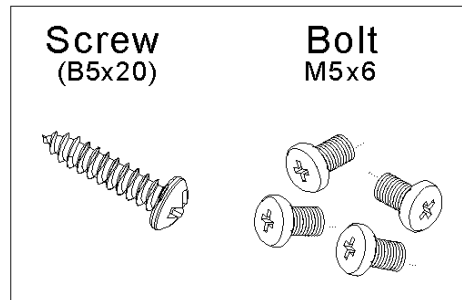
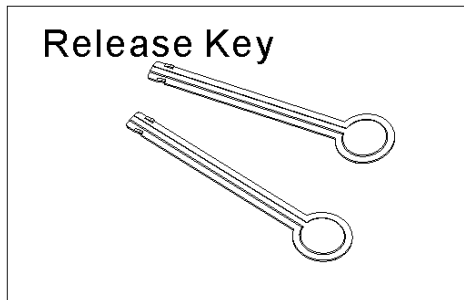
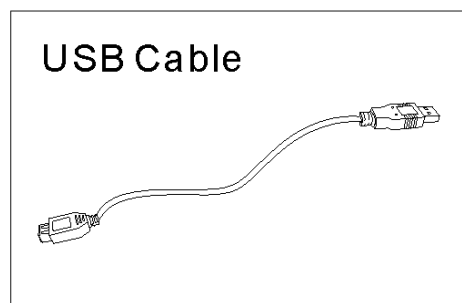
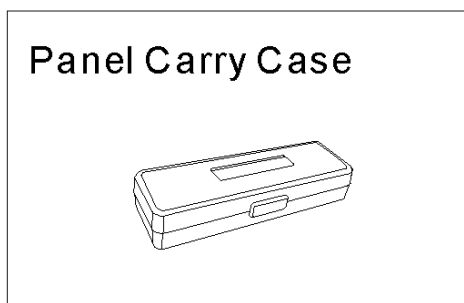
- ✧ To prevent an electrical shock, do not open the housing of the unit.
- ✧ In any case of malfunctioning, only have the unit serviced by an approved and qualified service centre.
- ✧ Do not expose to any water drop and put under the heavy moisture, high humidity environment or operate when your hands are wet. It may cause electrical shortage.
- ✧ For safety driving, keep the volume low in order to concentrate on traffic condition.
- ✧ Do not clean the unit with alcohol, only clean with a soft and dry cloth.
- ✧ If the unit has been kept in high temperature or high humidity area, cool down the car interior before turning on the unit.
- ✧ Do not use the unit for a long time without running vehicle's engine, it may drain the battery and the vehicle may not be able to start engine.
- ✧ Before final installation into in dash hole, connect the wiring and make sure the unit is working properly.
- ✧ Use only the parts provided with the unit to ensure proper installation.
- ✧ Do not route wiring in places that get hot if the insulation of the wiring may be melted
- ✧ When replacing fuse, be sure to use only the same rating fuse prescribed on this unit

OPERATION PRECAUTION

- ✧ Do not operate the player with scratched, bended or broken discs and when a disc is not loaded properly, do not force in into the disc loader.
 - ✧ Never insert any other object into the Disc Loader like coin or pin, etc. It may cause a certain damage or electrical shortage.
 - ✧ Do not use different disc size and disc shape other than 12 Cm with round shape.
 - ✧ Please dispose empty batteries used to Remote Controller according to the regulations in your country.
 - ✧ If the unit is disconnected with the battery, the unit will lose memorized data.
 - ✧ Playback of discs recorded with a PC using the correct format is possible but depending on the application software, environmental settings, CD recording device and other factors playback may not be possible.
 - ✧ If source disc has poor sound quality due to scratch, dirt or by improper recording, the playback sound quality of encoded file may result in poor sound quality.
- Design and specification may vary in the operation manual from the actual product.

ACCESSORY

Package will include in the following accessories for installation and operation the unit.

Installation Accessory**Operation Accessory**

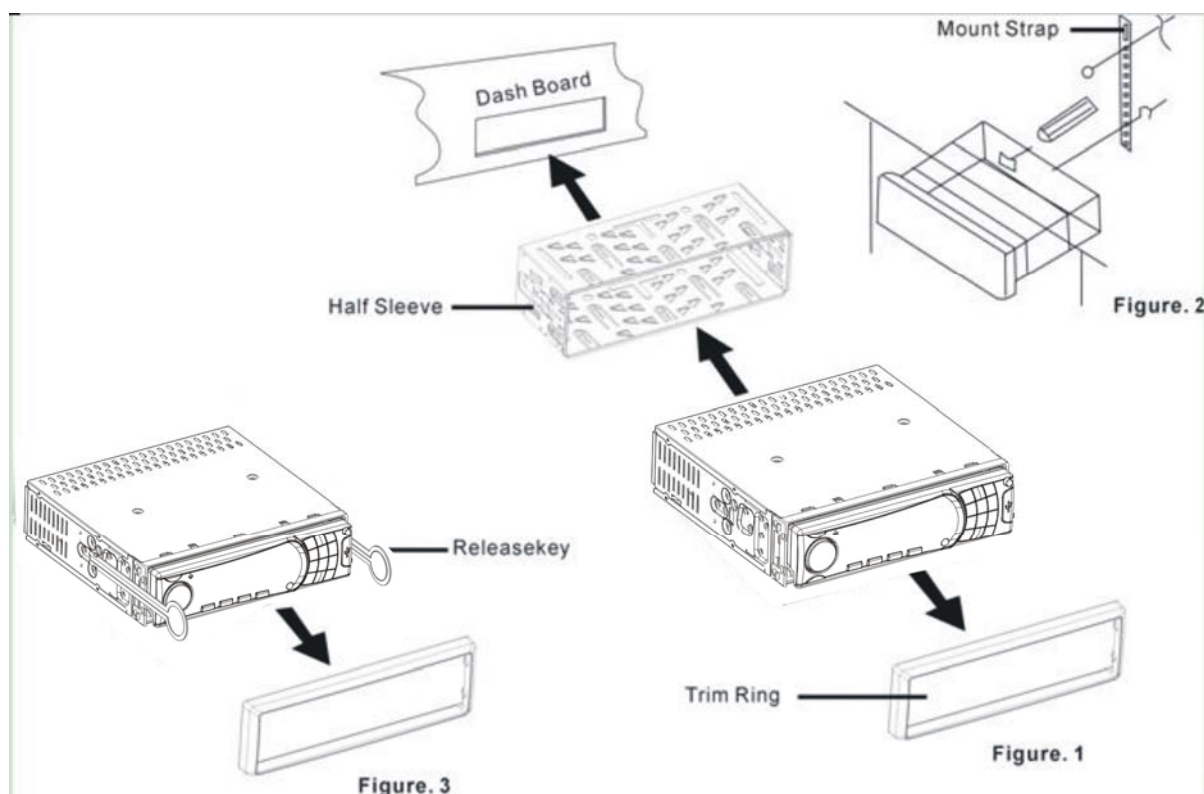
Note: USB Cable is optional by customer.

INSTALLATION (Un-installation)

NOTE: Unit should be installed horizontally in an angle less than 30°

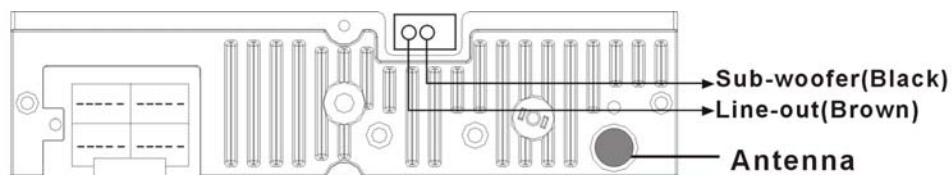
(1) Installation (Figure 1)

- ✧ Insert Half Sleeve into dash-board hole and bend mount tabs outwards to fix it
- ✧ If necessary, place the mount strap at the rear of the unit and fix it with provided washer as figure 2.
- ✧ Push the unit into the Half Sleeve until you hear a click sound
- ✧ Place Trim Ring over the unit and installation is completed
(Some vehicle may not need Trim Ring)

**(2) Un-installation (Figure 3)**

- ✧ Remove Trim Ring and insert Release Keys into left and right side-end holes as shown figure 3 and pull the unit out of the dash-board.

WIRING DIAGRAM



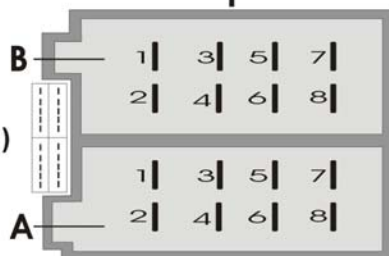
A4
TO terminal always supplied with power

A5
To system control terminal of the power amp or Auto-antenna control terminal(max.100mA 12V DC)

A6
To dimmer control terminal

A7
To electric terminal controlled by ignition switch(12V DC) ON/OFF.

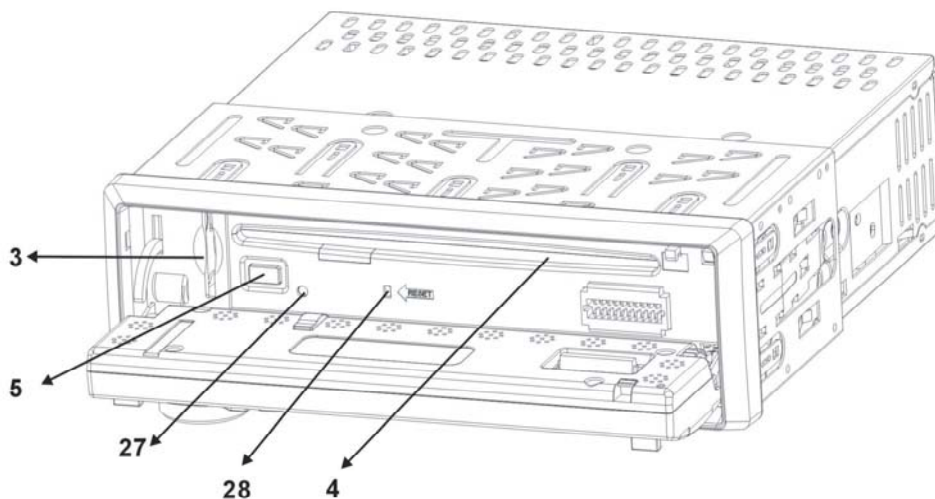
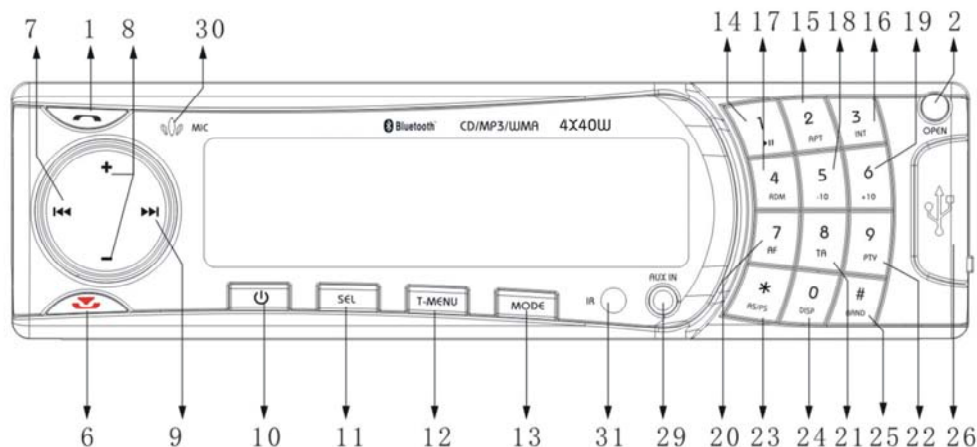
A8
To vehicle (metal)body.





Front speaker
B3 right +
B4 right -
B5 Left +
B6 Left -

Rear speaker
B1 right +
B2 right -
B7 Left +
B8 Left -

CONTROL PANEL



- 1. 
- 2. OPEN
- 3. SD / MMC CARD SLOT
- 4. DISC SLOT
- 5. DISC EJECT
- 6. 
- 7. T-DN
- 8. Volume+/-
- 9. T-UP
- 10. POWER/MUTE
- 11. SEL
- 12. T-MENU
- 13. MODE
- 14. PRESET 1 / PAUSE
- 15. PRESET 2 / REPEAT
- 16. PRESET 3 / INTRO
- 17. PRESET 4 / RANDOM
- 18. PRESET 5 / -10 TRACK DOWN
- 19. PRESET 6 / +10 TRACK UP
- 20. Numeric key 7/AF/REG
- 21. Numeric key 8/TA/TP
- 22. Numeric key 9/PTY
- 23. Phone Key * /AS/PS
- 24. Numeric key 0/DISP/REC
- 25. Phone Key # /BAND/ENT
- 26. USB SOCKET
- 27. FLASHING LED LIGHT
- 28. RESET
- 29. AUX IN
- 30. MIC
- 31. IR

BASIC OPERATION

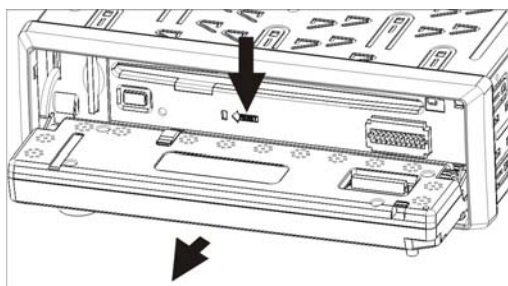
1, 6, 12. , T-MENU

(review instruction of Basic Telephone Operation on page 10)

2. OPEN (Front Panel Open)

Press [OPEN] button to open the front panel.

FRONT PANEL DETACH / ATTACH



Press [OPEN] and grab and pull to left or right side and pull out panel to detach.

3. SD CARD SOCKET

Insert a SD / MMC Card and music starts to play automatically. If there is no music file, "NO FILES" is shown on LCD display

* Support Music File Format: MP3, WMA, OGG Files

* MMC card need to pull out

4. DISC SLOT

Press [OPEN] button to open the front panel and insert a disc into the slot.

- ✧ If there is error when play disc, "CD ERROR" will be displayed on LCD. In order to avoid CD ERROR, please use good quality and keep disc clean.
- ✧ Support Disc Type : MP3, WMA File Disc Audio CD/ CD-R/ CD-RW
- ✧ No adaptor is required to play 8Cm disc
- ✧ If a disc is not inserted easily, there may be another disc already.

5. DISC EJECT

Press to eject Disc inside the CD slot. If disc is not removed after ejecting, disc re-loaded automatically without playing.

7 & 9. T (Tune, Track) UP / DOWN

- Tune Up / Down in Radio Mode,
Manual Tuning Mode: Press more than 2 seconds to search a station in manually and press button to tune each frequency step upward or downward

Seek Tuning Mode : Press to search a next or previous station automatically

-Track Up (FF) / Down (REW) In CD, SD-MMC, USB Mode,

Track Up / down: Press to move to next or previous Track

Track FF / REW: Press more than 2 seconds to activate fast forward (FF) or fast reverse (REW) search in a track

8. VOLUME+/-

Press VOLUME+ button to increase or press VOLUME- to decrease the volume.

10. POWER/MUTE

Press [POWER] button to turn on the unit.

Long Press again to turn off while the unit is turned on. (* Press any button to turn on the unit.)

MUTE:

Short press to mute on, short press again to mute off.

11. SEL

(1) SELECT

Press the button once to enter into Audio Select Menu, press it repeatedly and menu is changed in the following sequence.

VOLUME -> BASS -> TREBEL ->BALANCE
-> FADER -> EXIT Menu

Control Volume +/- buttons to adjust each menu

(2) Select Function Menu

Long press the button to enter to control this menu.

Press it repeatedly and menu is changed in the following sequence.

INVOL -> ADJ -> TAVOL -> EON ON
->REC->TELVOL-> DSP -> LOUD OFF ->
LOC OFF -> STEREO ->Exit Menu

Please refer to detail of each menu as follows and control the level by [volume] +/- buttons.

- **INVOL**: Define default volume level when the unit is turned on
- **ADJ**: Set the time by volume +/- buttons
- **TAVOL**: TA volume Level adjust
- **EON OFF/ON**: Enable EON Off (Default is EON On)
- **REC**: Press volume +/- buttons to select the recording mode MP3-> WMA (suggest: when USB 1.1 recording select WMA format)
- **TELVOL**: Telephone volume adjust (Default is 25) In order to keep call quality, TELVOL is suggested to be below 35.
- **DSP**: Press volume +/- buttons to choose intended sound effect in the sequence of None --> Classic --> Rock --> Pop --> Flat Push the knob to select.
- **LOUD OFF/ON**: Enable LOUD ON (Default is LOUD OFF)
- **LOC OFF/ON**: Enable LOC ON (Default is LOC OFF)

13. MODE

Change mode in the sequence of
TUNER -> CD -> (* SD/MMC) -> (*USB) ->
AUX -> TUNER

(* available only if there is media device in SD/MMC, USB slot)

14~25. Digit keys 0~9, #, *, /DISP, Pause, RPT, INT, RDM, -10, +10, AF/REG, TA/TP, PTY, DISP/REC, AS/PS, BAND/ENT

- In Telephone Mode

0~9, #, * are phone keys.

- In CD, USB, SD Slot Mode

1~6 buttons perform below function.

[PAUSE]: Repeat pause -> play.

[RPT]: Press to play same track repeatedly, press again to cancel.

[INT]: Play beginning of every track for about 10 seconds.

[RDM]: Play every track randomly

[-10 / +10]: Move to the previous or next 10 tracks.

- In Radio Mode

DIS (Display)/REC (Encoding)

- Display

Press to see current tuning information and time in any playing mode. Below is the sequence of menu

CT (Clock/Time) -> PTY -> PS -> Exit

- Record (Encoding)

(* Refer to File Management Operation for further detail)

PRESET STATION No. 1 ~ 6

Press [1-6] button to select the radio station memorized in each buttons. Press for more than 2 seconds to memorize the current station to teach preset buttons (Manual Station Store).

16. AF (Alternative Frequency) /REG (Regional)

Enable or disable AF mode and press more than 2 seconds to enable or disable REG mode. (Default is On for AF and off for REG)

AF is enabled (on) and available with the current station, AF icon is on LCD display and AF icon blinks if AF is not available.

When REG is enabled (on), the receiver accepts regional variants of the tuned station with icon on LCD display and when REG is disabled (off), the receiver ignores regional variants.

TA (Travel Announcement) / TP (Travel Program Identification)

Enable or disable TA mode: (Default is OFF)

1) Press TA button once to activate the function, Press again to turn off the function.

2) When TA function is activated, it will search the station with TA information automatically. If there is no TA information, it will search the station with TP information automatically, if there is no TP information either, it will return to the previous station after searching.

3) When receiving the station with TP information but without TA information, TP icon is on and TA icon keeps blinking; when receiving the station with TP and TA information, both TP and TA icons are on.

When playing in other mode and TA information is received, it will change to the radio mode automatically. After playing over, it will return to the previous mode. Buttons AS/PS / Preset [1-6] / PTY / MODE / T-UP▶▶ / T-DN◀◀ and Band/ENT are locked. Press TA button once to ignore the received TA information, press TA button twice to turn off the function.

PTY (Program Type)

Enable or disable PTY search.

(Default is off)

Press PTY button short time, PTY Search is on, press T-DN/ T-UP button to search last time selected PTY program.

Press PTY button long time to select PTY program type, press volume +/- buttons to select PTY type. When selected the program type you want, press PTY button to search. Press PTY key to stop the PTY search. If PTY code is different or not available, LCD displays "NOT FND" PTY icon blinks, press PTY key to stop the PTY search.

AS (Auto Store) / PS (Preset Scan) File Search Start Button

- AS: In tuner mode, Press this button for longer than 2 seconds to store best reception radio station to preset buttons automatically
- PS: In tuner mode, Press this button to scan the preset memorized station, each preset scan for 5 seconds.
Press again to stop operation.
- In CD, USB, SD/MMC Card mode, press to start Music File Search Menu.
Press the button again and menu is changed to the following sequence.

File Number Search -> File Name
Search -> ROOT -> EXIT Search
(* Refer to File Management Operation for further detail)

BAND / ENTER

- BAND (In Radio Mode only)

Move to radio band in the sequence of
FM1 -> FM2 -> FM3->MW1-MW2

- ENTER

Activate search function.

(* Refer to File Management Operation for further detail)

26. USB SOCKET

Insert a USB Flash Storage Device and music starts to play automatically. If there is no music file, "NO FILES" is shown on LCD display.

* Support Music File Format: MP3, WMA, OGG Files

27. FLASHING LED LIGHT

Red LED light will be flickered if the front panel is detached

28. RESET

Press [OPEN] button to open the front panel and press reset button with clip or pin to set the unit back to the factory default setting.

29. AUX IN

Receive signals by connecting to outside input device.

30. MIC (MICPHONE)

Voice transferring when in calling

31. IR Remote Control Window

Window for remote control receiver.
(Available if Remote control is included)

Bluetooth section

Feature:

1. Bluetooth specification V2.0 EDR compliant
2. Support HFP, A2DP, AVRCP.
3. Class 2, Rang up to 8 meters wireless digital connection
4. Excellent ECHO cancellation with noise elimination
5. Last number redial
6. Display incoming and outgoing numbers
7. Call list
8. A2DP (Advance Audio Distribution Profile)

A2DP is a function which can receive the audio frequency signal from mobile phone, amplify by car audio and play out by speaker.

Operation:

Enter Bluetooth music playing program via connect mobile phone (no need to connect if the unit already connected with phone) via play music.

Notice: A2DP need mobile phone support.

9. AVRCP

When the music is playing, Press PRESET 1 / PAUSE button once to pause, press again to play.

Press "track up" button to the next song, press "track down" button to the previous song.

10. Auto-connect

When power on, the last paired phone will be connected to the device via Bluetooth automatically, after searching about one minute, if the device can not find the paired phone, it will stop searching.

When in standby mode (unconnected), short press Telephone button to active auto-connect function and the device will search the last paired phone.

Pairing

According to mobile manual pairing device, when searching new device, select it (KBT), put in pass code "0000" and confirm ok, device paring finished. Operate mobile connect to Blue Tooth, after connecting Blue Tooth, the LCD will show Bluetooth icon "📶".

Bluetooth icon "📶" showed on LCD:

Slowly blink (per 5 seconds): Standby

Quickly blink (per second): Connecting

Stably show: Connected

NOTE: At the 1st time to use Bluetooth, it needs to pair device.

suggest

1. Set "My phone's visibility as "shown to all".
2. Select "Yes" in "Set as authorized".

Basic telephone operation

Answer a call:

Short press  button to answer a call.


Reject a call:

Short press  button to reject a call.


Hang up:

Short press  button to hang up during dialing or talking.

Dialing Number:

Short press T-MENU button, LCD will blink with “_”, press digit buttons to input phone number, then press  button to dial the number.

Last number redial:

Long press T-MENU button to display “REDIAL” on the screen first, and then press  button to redial the last number.

Call list

Long press T-MENU button to display “REDIAL” on the screen first, and then press volume +/- to display all incoming and outgoing numbers one by one, it could store 20 numbers at most.

FILE MANAGEMENT OPERATION

FILE / FOLDER SEARCH FUNCTION

In CD, USB, SD/MMC mode, press [AS/PS] button to enter into search mode.

Below is toggle sequence of search mode.

File Number Search -> File Name Search -> Folder Search -> Exit search mode

(* Audio-CD Disc only supports File number Search)

◆ File Number Search

Press [AS/PS] button first time, it locates file number search and there is 3 digit of number (“001”) on LCD display and the right end digit is blinking which means the unit is ready to input file number for search.

Press [T-UP or T-DN] button to input a number (from 0 to 9) of which you want to listen to, press SEL button will move to next digit.

Press [BAND/ENT] button to play after completing input.

◆ File Name Search

Press [AS/PS] button until (“A**”) is shown on LCD display with blinking left end alphabet (“A”) .

Press [T-UP or T-DN] button to input alphabet (from A to Z) & Number (from 0 to 9) of which you want to listen to, press SEL button will move to next digit for another input. Press [BAND/ENT] button to show you searched files that contains input letters. Press [T-UP or T-DN] button to show next searched file.

If there is no file is found, “NO MATCH” is displayed on LCD with returning to initial input ready mode automatically.

Press [BAND/ENT] button to play after completing input.

◆ Folder Search

If “ROOT” is displayed on LCD, it is folder search and you can move between Root Folder and Sub Folder directly by [T-UP or T-DN] button only if there is Sub Folder.

FILE MANAGEMENT OPERATION

ENCODING (RECORDING) FUNCTION

The Recording (Encoding) function performs sound source from Tuner, Audio CD, AUX-in directly to Storage Device (either USB Flash Storage Device or SD/MMC Card).

During recording, blinking "R" is displayed on LCD. If Storage Device does not have enough memory capacity left, the last music source fails to be recorded completely.

Recording condition is varied in each sound source.

(* If there is no Storage Device inserted, LCD display shows "NO MEDIA" and recording is not available)

- Recording from Tuner / AUX-IN

Press [DIS/REC] for more than 2 seconds and the unit asks the location to record firstly to "SD/MMC Card" or "USB Flash Storage Device" by pressing button again.

To cancel recording, press [DIS/REC] for more than 2 seconds.

To start recording, press [BAND/ENT] and press again to stop recording.

- Recording from Audio CD

Press [DIS/REC] for more than 2 seconds and the unit asks the location to record in the following sequence.

MMC ALL -> USB ALL -> MMC ONE -> USB ONE -> MMC ALL

MMC ALL: Record all tracks in the disc to SD/MMC Card.

USB ALL: Record all tracks in the disc to USB Storage Device.

MMC ONE: Record current track to SD/MMC Card.

USB ONE: Record current track to USB Storage Device.

To cancel recording, press [DIS/REC] for more than 2 seconds.

To start recording, press [BAND/ENT] and press again to stop recording.

- Recording from MP3 CD

Press [DIS/REC] for more than 2 seconds and the unit asks the location to copy firstly to "MMC" and "USB" by pressing the button again.

To cancel recording, press [DIS/REC] for more than 2 seconds.

To start recording, press [BAND/ENT] and press again to stop recording.

(* There is no sound heard during copy from MP3 file in a CD to Storage Device)

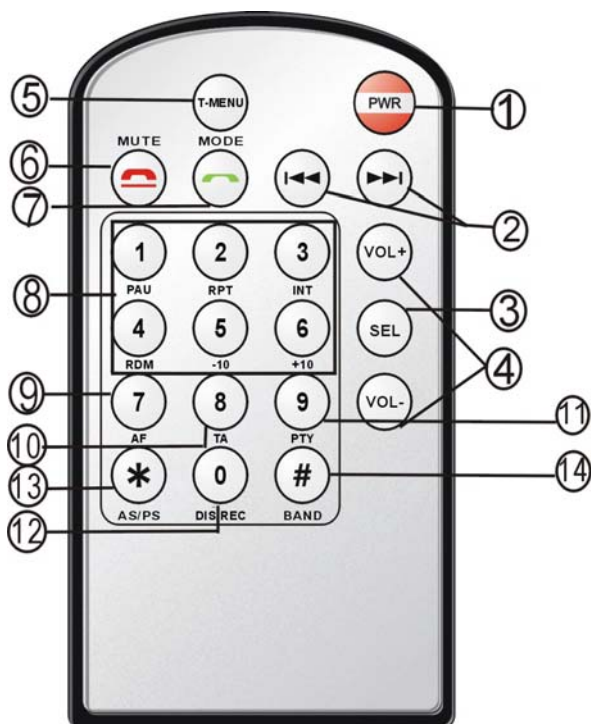
FILE DELETE FUNCTION

To delete Music File in USB, SD/MMC mode, press [DIS/REC] for more than 2 seconds and LCD display shows "DELETE". Press [BAND/ENT] button to activate delete or press [DIS/REC] for more than 2 seconds to cancel deleting.

Below list shows available function in each mode.

MODE Sub-fn	TUNER	CD	SD/MMC	USB	AUX
REC MMC?	O	O	X	X	O
REC USB	O	O	X	X	O
DELETE	X	X	O	O	X

IR REMOTE CONTROL (Optional Function)

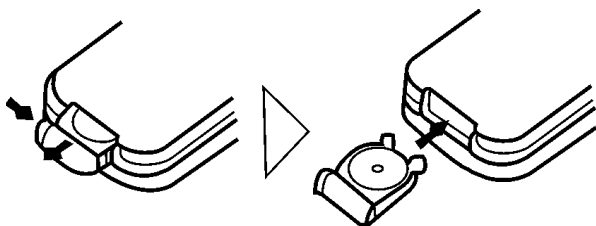


- 1. POWER
- 2. Previous Track/ Next Track
- 3. SEL
- 4. VOL +/-
- 5. T-MENU
- 6. MUTE/ Reject Call
- 7. MODE/ Accept Call
- 8. PRESET1/PAUSE
PRESET 2/REPEAT
PRESET 3/INTRO
PRESET 4/ RANDOM
PRESET 5/-10 TRACKS
PRESET 6/+10 TRACKS
- 9. Digit 7 / AF
- 10. Digit 8 / TA
- 11. Digit 9 / PTY
- 12. Digit 0 / DIS/REC
- 13. * / AS/PS
- 14. # / BAND

MUTE/ Reject Call: In telephone mode, refer to basic telephone operation in P10;
In radio mode, enable or disable MUTE function.

MODE/ Accept Call: In telephone mode, refer to basic telephone operation in P10;
In other mode except for telephone mode, press it to change mode.

(Place the Battery)



To install the battery, open the battery compartment, insert the CR2025 3V cell battery and observe that the correct “+” and “-” polarities on the battery are matching the marks inside the compartment.

Usage of Remote Control

- ✧ Point the Remote Control no more than about 7 meters (approx. 21 feet) from the IR Remote Control Window of the unit and keep within -30° and +30° angle.

Care of Remote Control

- ✧ Keep the battery out of reach of children. Children may swallow.
- ✧ Remove the battery if it is not used for a month or more.
- ✧ Do not short-circuit, disassemble or heat the battery.
- ✧ Do not dispose of battery into fire or flame.

SPECIFICATION and FEATURE

Specification

FM TUNER

Frequency Range -----	87.5 ~ 108MHZ
Usable Sensitivity -----	15 dBuV
Stereo Separation -----	28 dB

AM (MW) TUNER

Frequency Range -----	522 ~ 1620KHz
Usable Sensitivity -----	30 dBuV

CD PLAYER

Distortion THD-----	< 0.5%
Signal-to-Noise Ratio -----	60 dB
Frequency Range -----	20 Hz ~ 20 KHz

ELECTRIC

Power Supply -----	DC 11 ~ 16 Volt
Current Consumption -----	< 10 Ampere
Load Impedance -----	4 ~ 8 Ohm
Dimensions -----	178mm (W)x 175mm (D)x 50mm (H)
Power Output -----	4 x 40W (Max)
Line Output -----	1.8 V (CD 1K 0dB VOL MAX)

Feature

PANEL SYSTEM

- ✧ Anti-Theft Full Detachable with Flashing LED, Flip Down Front Panel, ISO Mount

PLAYBACK

Decoding: MP3, WMA, OGG playback with ID3 Tag Display

File and Folder Search

CD Mechanism: Electronic Anti-shock (Audio 8 seconds, MP3 100 seconds)

Supporting CD, CD-R, CD-RW, 12 Cm Disc

USB Firmware Up gradable

TUNER

AM/FM **RDS EON** Radio Receiver with 30(FM18, AM12) station memory, auto/ manual station store, preset scan, auto/ manual tuning

AUDIO

- ✧ DSP Sound Effect (None, Classic, Rock, Pop, Flat)
- ✧ 4x40W (Max) Amplifier, 2CH Stereo AUX-in, 2CH Stereo RCA Lineout

TROUBLESHOOTING

	Symptom	Cause	Remedy
General	Power does not turn on. (No sound is produced.)	Fuse is blown	Replace with a fuse of the same rating amperage. If the fuse blows again, consult your local retailer.
		Incorrect wiring	Consult your local retailer.
	No sound comes from the unit or its external amplifier	Wiring for amplifier output is incorrect, or there is a short circuit among the output wiring.	Refer to the unit wiring diagram to check proper connections, make sure the wiring is done correctly.
		The unit is in MUTE mode.	Turn off the MUTE function.
		RCA output wiring is incorrect	Check and properly connect the RCA output with the external amplifier.
	Nothing happens when buttons are pressed. Display is not accurate.	Wiring between external amplifier's REM terminal and the unit's antenna lead is incorrect, or antenna output lead of the unit is short circuit to ground.	Properly connect the REM terminal of the external amplifier and the unit's antenna output lead.
		The microprocessor has malfunctioned due to noise, etc.	Turn off the power, Then press the [NO OPEN] button and remove the DCP. Press the reset button for about 2 seconds.
CD	Sound skips or is noisy	Panel or main unit connectors are dirty.	Wipe the dirt off with a soft cloth moistened with cleaning alcohol.
		Compact disc is dirty	Clean the compact disc with a soft cloth to avoid scratching the surface of the disc.
	Sound is poor directly after power is on.	Compact disc is heavily scratched or warped.	Replace with a compact disc without scratches.
		Water or moisture may have formed on the internal lens.	Let it dry for about 1 hour with the power on.

Warning:

This device complies with part 15 of the FCC Rules. Operation is subject to the following two conditions:(1) The device may not cause harmful interference, and (2) this device must accept any interference received, including interference that may cause undesired operation.

Changes or modification not expressly approved by the party responsible for compliance could void the user's authority to operate the equipment.

Fcc Radio Frequency Exposure statement

This product has been evaluated under FCC Bulletin OET 65C and found compliant to the requirement as set forth in CFR 47 section 2.1091, and 15.247(b)(4) addressing RF Exposure from radio frequency device.

The redialed output power of this product is far below the FCC radio frequency exposure limits.

Note: This equipment has been tested and found to comply with the limits for a Class A digital device, pursuant to part 15 of the FCC Rules. These limits are designed to provide reasonable protection against harmful interference when the equipment is operated in a commercial environment. This equipment generates, uses, and can radiate radio frequency energy and, if not installed and used in accordance with the instruction manual, may cause harmful interference to radio communications. Operation of this equipment in a residential area is likely to cause harmful interference in which case the user will be required to correct the interference at his own expense.

(b) For a Class B digital device or peripheral, the instructions furnished the user shall include the following or similar statement, placed in a prominent location in the text of the manual:

Note: This equipment has been tested and found to comply with the limits for a Class B digital device, pursuant to part 15 of the FCC Rules. These limits are designed to provide reasonable protection against harmful interference in a residential installation. This equipment generates, uses and can radiate radio frequency energy and, if not installed and used in accordance with the instructions, may cause harmful interference to radio communications. However, there is no guarantee that interference will not occur in a particular installation. If this equipment does cause harmful interference to radio or television reception, which can be determined by turning the equipment off and on, the user is encouraged to try to correct the interference by one or more of the following measures:

—Reorient or relocate the receiving antenna.

—Increase the separation between the equipment and receiver.

—Connect the equipment into an outlet on a circuit different from that to which the receiver is connected.

—Consult the dealer or an experienced radio/TV technician for help.

(c) The provisions of paragraphs (a) and (b) of this section do not apply to digital devices exempted from the technical standards under the provisions of §15.103.

(d) For systems incorporating several digital devices, the statement shown in paragraph (a) or (b) of this section needs to be contained only in the instruction manual for the main control unit.

(e) In cases where the manual is provided only in a form other than paper, such as on a computer disk or over the Internet, the information required by this section may be included in the manual in that alternative form, provided the user can reasonably be expected to have the capability to access information in that form.