

T2240/9

T2340/9

T2240/24

T2340/24

Operator's Manual

Bedienungsanleitung

Manuel d'utilisation

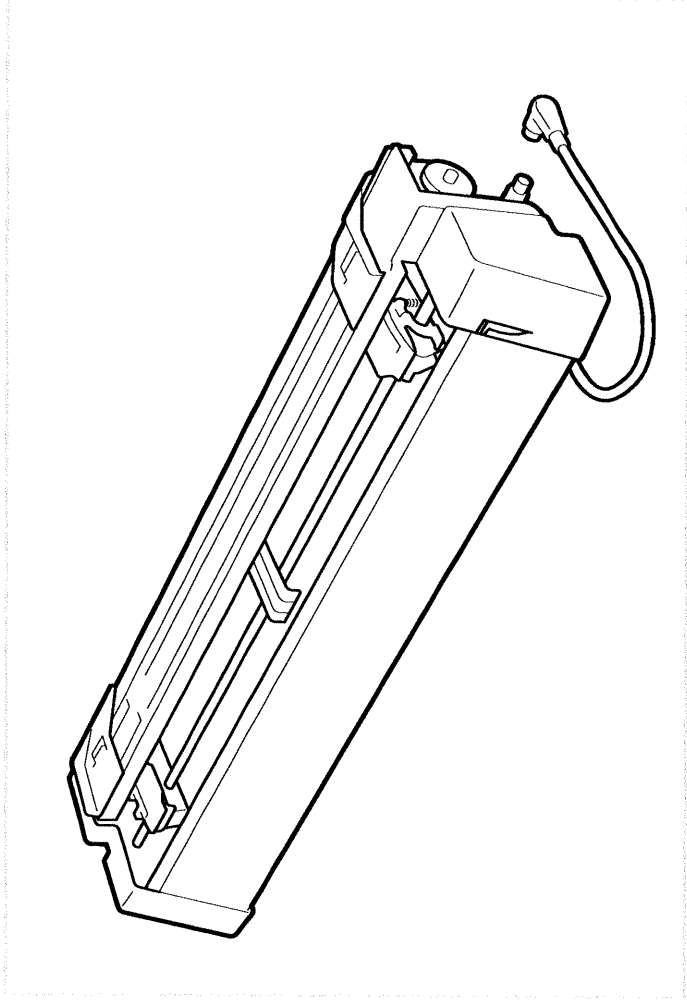
Istruzioni per l'operatore

Optional Tractor

Optionaler Traktor

Tracteur optionnel

Trascinamoduli opzionale



- WARNING** Only trained and qualified personnel may open covers or remove parts that are not explicitly shown and described in the Operator's Manual as being accessible to the operator.
- WARNUNG** Das Entfernen oder Öffnen von Abdeckungen und Teilen darf nur durch geschultes Fachpersonal vorgenommen werden. Ausgenommen hiervon sind nur solche Abdeckungen und Teile, deren Entfernen bzw. Öffnen in der Bedienungsanleitung ausdrücklich gekennzeichnet und beschrieben sind.
- ATTENTION** Seul un personnel qualifié et formé est habilité à démonter les sous-ensembles de la machine qui ne sont pas formellement indiqués dans le Manuel Utilisateur même s'ils sont accessibles par l'opérateur.
- ATTENZIONE** Solo personale qualificato può accedere a parti che non siano esplicitamente descritte nel manuale dell'operatore come accessibili all'operatore.



GB

This operator's manual was produced in four languages in the following order:

english ► german ► french ► italian

D

Diese Bedienungsanleitung wurde 4-sprachig in der folgenden Reihenfolge erstellt:

englisch ► deutsch ► französisch ► italienisch

F

Ce manuel d'utilisation a été rédigé dans le quatre langues suivantes:

anglais ► allemand ► français ► italien

I

Queste Istruzioni per l'operatore sono state realizzate in quattro lingue nell'ordine:

inglese ► tedesco ► francese ► italiano



Optional Tractor Operator's Manual

ENGLISH



Table of Contents

Confirming the Accessories	2
Attaching the Optional Tractor	3
Detaching the Optional Tractor	6
Setting Continuous Form Feed Paper	8
Alternating between Tractors	14
Setting Single Sheet Paper	16



Optional Tractor

The Optional Tractor has the same functions as the built-in tractor of the printer. By attaching the Optional Tractor, two different types of continuous form feed paper can be set simultaneously and either one can be selected for actual printing. Alternating between the Optional Tractor and the built-in tractor is performed via the Operation Panel. The continuous form feed paper on one tractor unit can be used for printing without unloading the continuous form feed paper on the other tractor unit.

Even with the Optional Tractor attached to the printer, you can print with single sheets by manually inserting them one by one.

The Optional Tractor print mode is the "Upper Tractor Mode". The built-in tractor print mode is the "Lower Tractor Mode".

For further details on paper, refer to Part II of the Operator's Manual, *About Paper*.

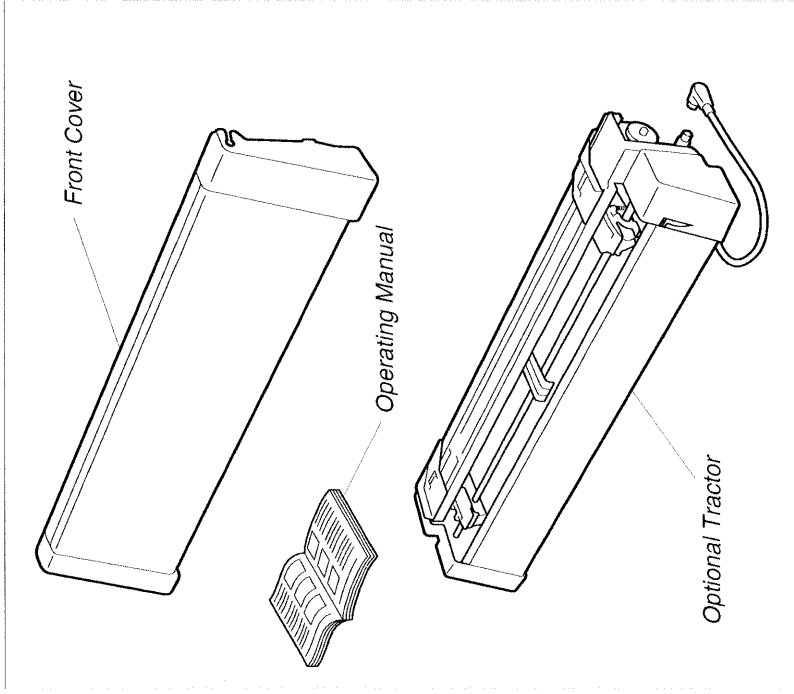
If any problem arises while the Optional Tractor is being used, refer to Part II of the Operator's Manual, *Troubleshooting*.



Confirming the Accessories

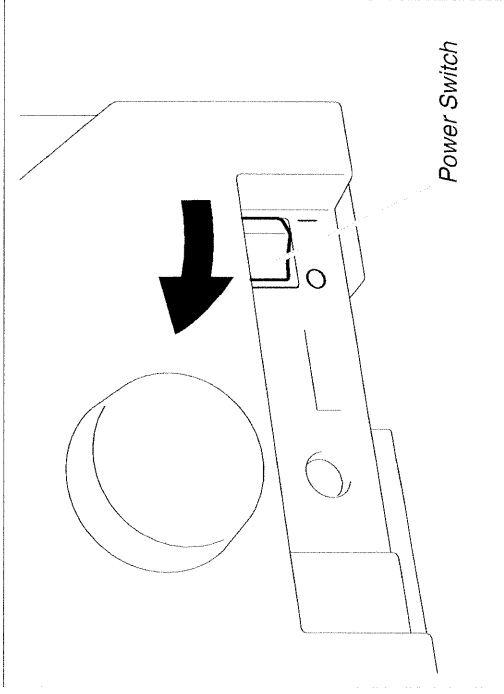
When the carton of the Optional Tractor is opened, check that all the following items are included:

Should any items be missing or damaged, please do not hesitate to contact the store where the product was purchased.

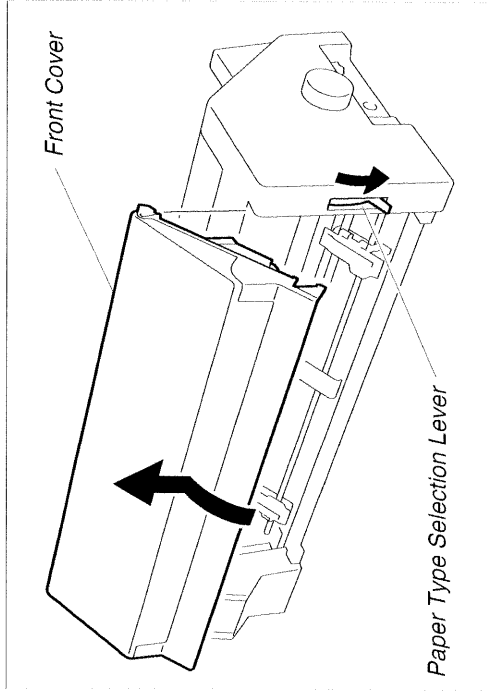


Please keep the carton and packing materials. They will be necessary for moving or transporting the Optional Tractor.

Attaching the Optional Tractor



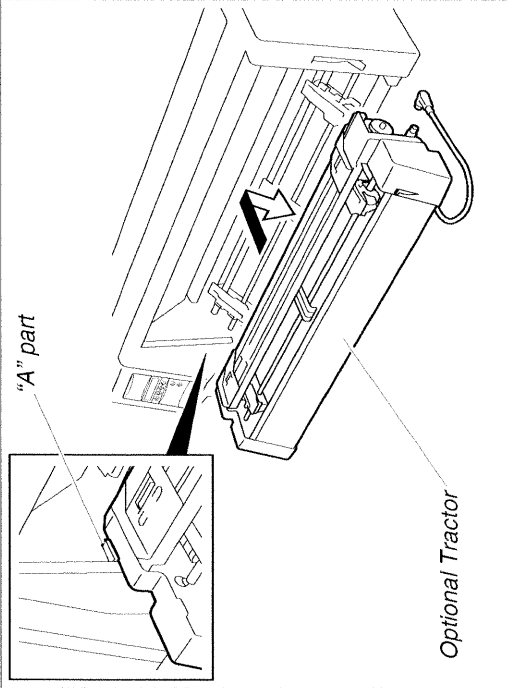
Turn the printer Power Switch OFF ("O").



Open the Front Cover halfway, and remove it.

Push down the Paper Type Selection Lever to Continuous Form Feed Paper Mode.

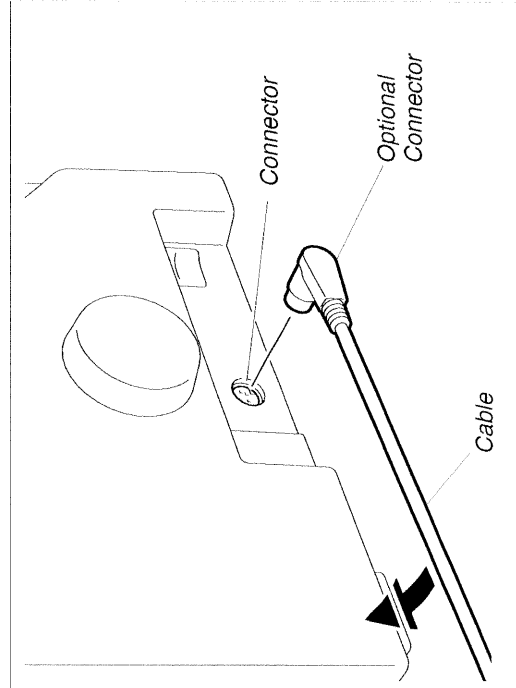
Attaching the Optional Tractor



Insert the Optional Tractor ensuring that the top part runs along the "A" parts on both sides of the printer.



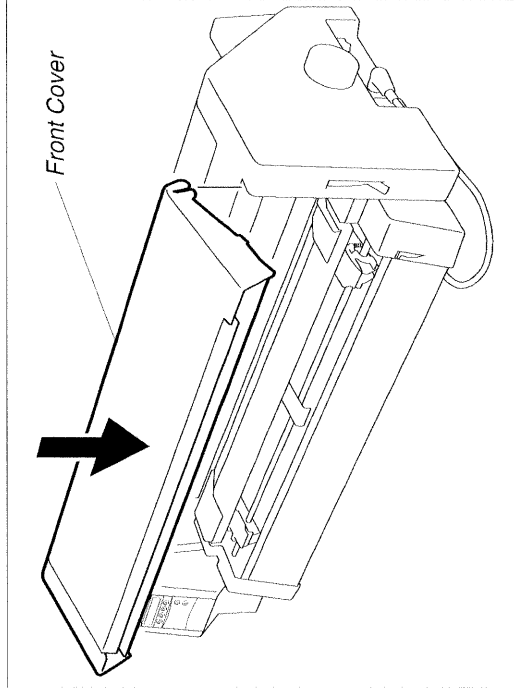
Before attaching the Optional Tractor, move the Sprocket Blocks of the printer to 15 mm or more away from the frame of the printer.



Plug the Optional Tractor connector into the printer connector.

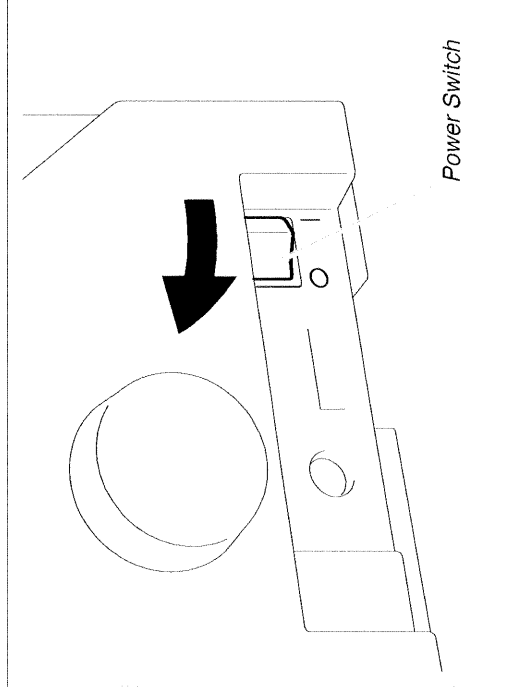
Secure the Optional Tractor cable of as in the figure below.

Attach the Front Cover (contained in the package) to the printer.

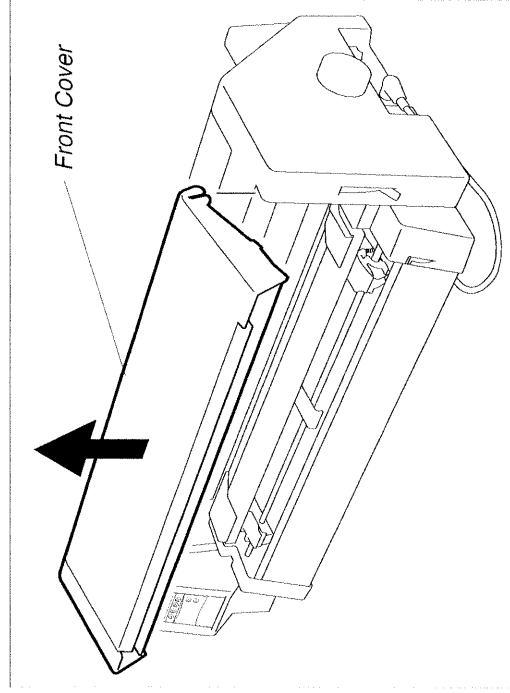


Detaching the Optional Tractor

Turn the printer Power Switch OFF ("O").



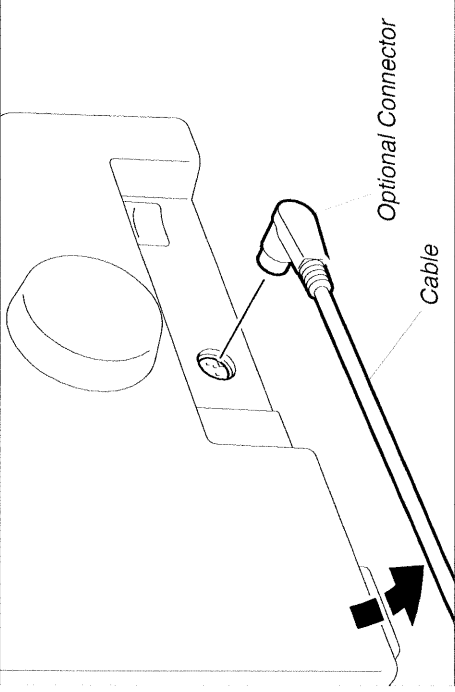
Open the Front Cover halfway, and remove it.



Detaching the Optional Tractor

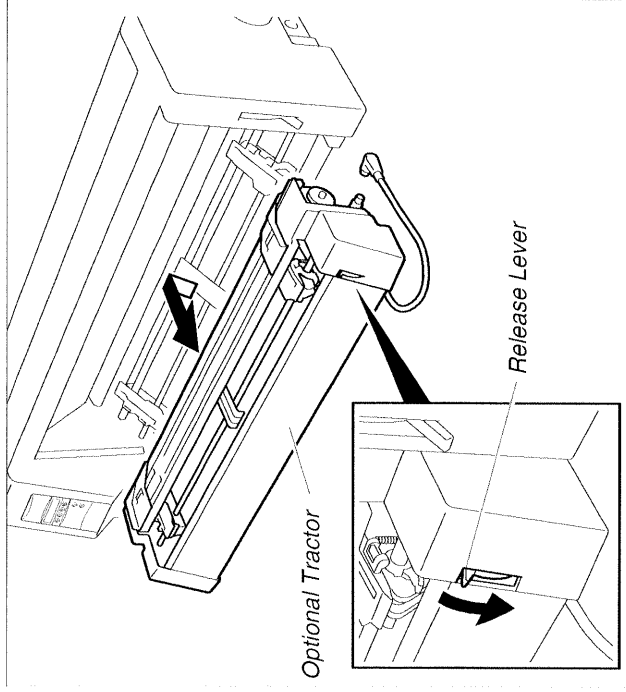
Unplug the Optional Tractor connector from the printer Optional Connector.

Detach the Option Tractor Cable of from the printer.



Push down the Optional Tractor Release Lever. The gears are disengaged and the Release Lever returns to the upper position.

Slightly lift up and pull it forward to detach the Optional Tractor from the printer.

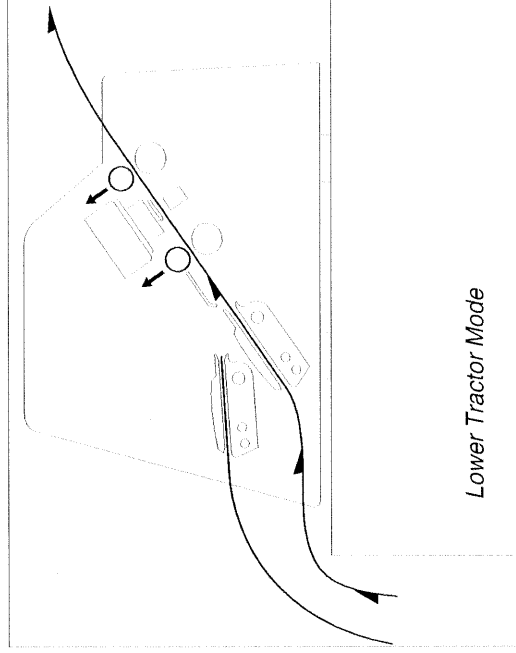
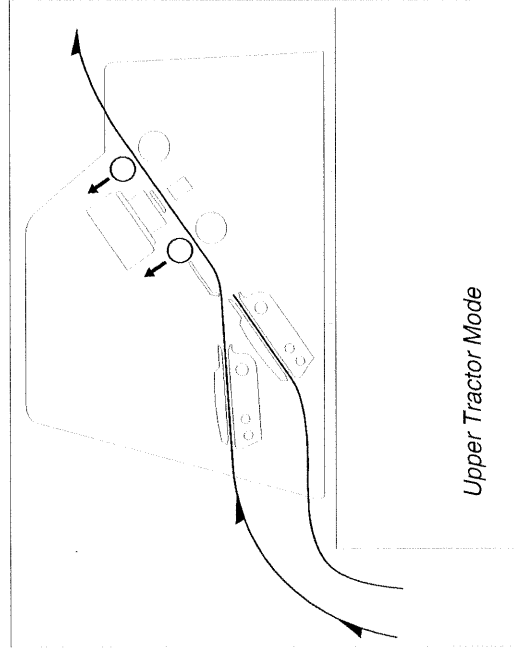


Setting Continuous Form Feed Paper

When the Optional Tractor is set, you can select one of the two tractors – the Optional Tractor or the built-in tractor – according to the paper used, as in the figures below.



While the printer is activated, do not push down the Release Lever of the Optional Tractor. A paper jam may result.



To use continuous form feed paper, return the Paper Tray and the Paper Extension Trays to their original positions.

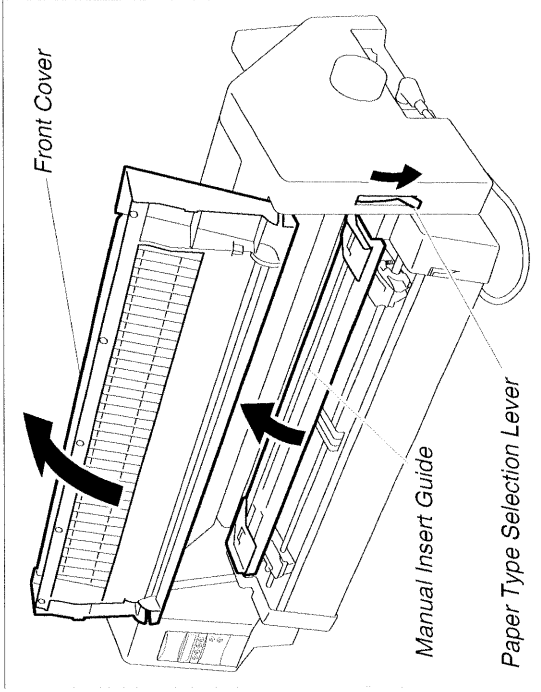
Setting Continuous Form Feed Paper

Adjust the Paper Thickness Adjustment Lever according to the type of paper being used. Refer to Part I of the Operator's Manual, *Setting the print head gap*.

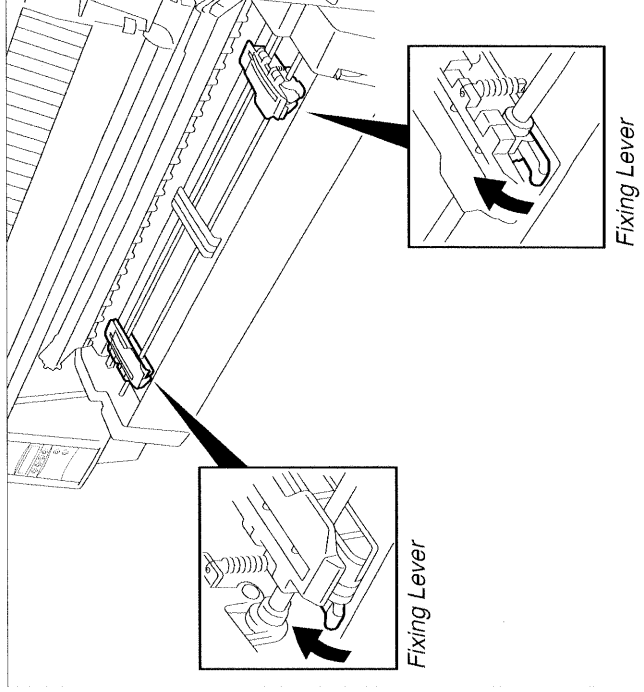
Push down the Paper Type Selection Lever to Continuous Form Feed Mode.

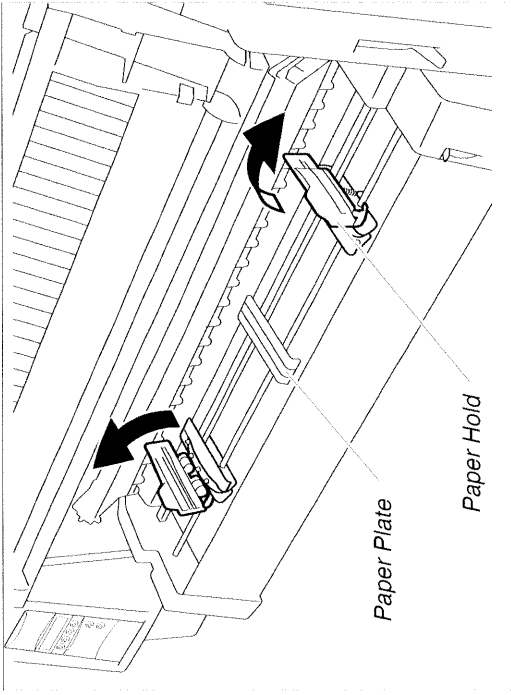
Open the Front Cover.

Open the Manual Insert Guide.



Stand the Left and Right Sprocket Blocks Fixing Levers up in the position indicated by the arrow to release the lock.

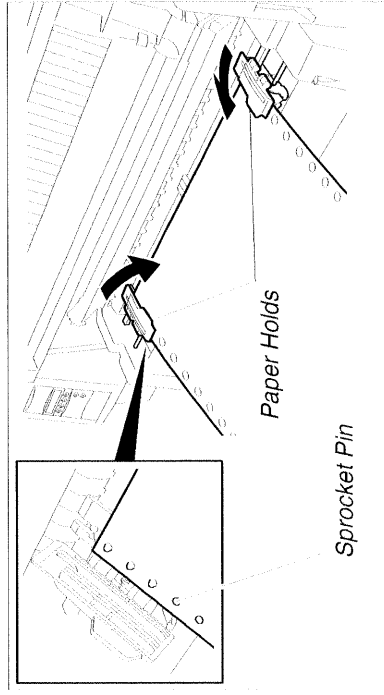




Open the Left and Right Sprocket Block Paper Holds.

Adjust the Left and Right Sprocket Blocks to the paper width.

Place the Paper Plate in the center between the Left and Right Sprocket Blocks.



With the printing surface facing up, place the feeding holes on the left edge of the paper over the pins of the Left Sprocket Block, and close the Paper Hold.

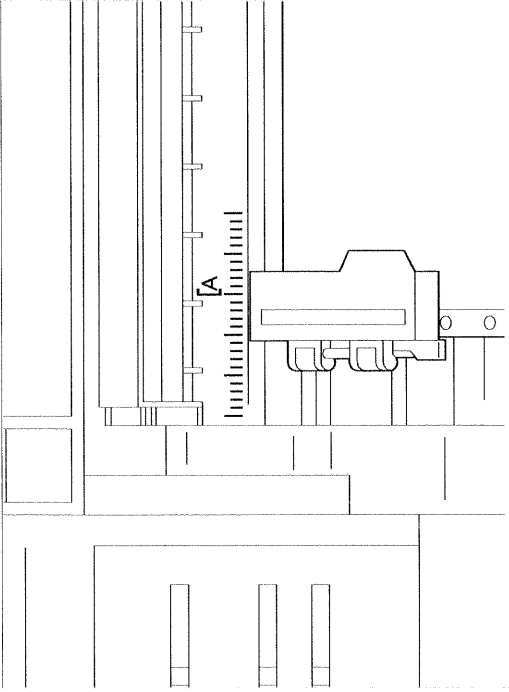
i Place the paper parallel to the length of the Sprocket Blocks.

Ensure that the feeding holes on the right edge of the paper fit over the pins of the Right Sprocket Block, and close the Paper Hold.



To avoid paper jams, ensure that the same left and right feeding holes are used, and placed over sprocket pins of the same level.

When the paper setting is complete, adjust the left margin by moving the Sprocket Blocks the left and right. The ["A" mark is the standard print start position.



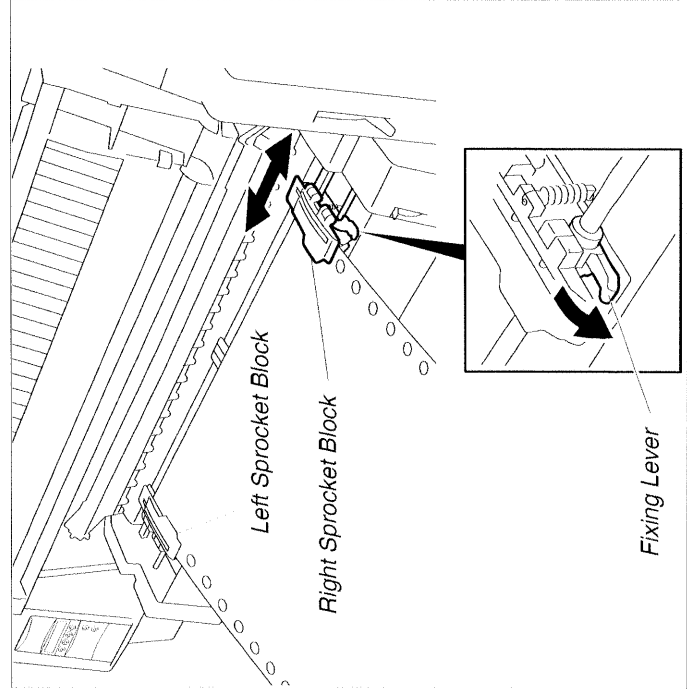
Push down the Fixing Lever of the Left Sprocket Block to lock it in place.

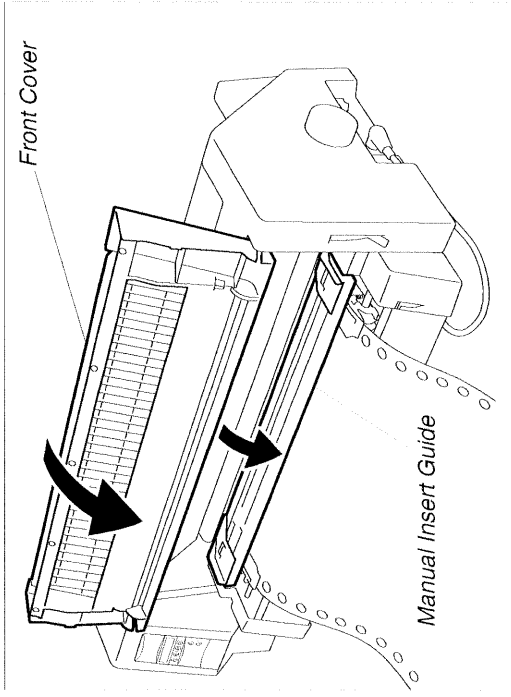
To remove slack from the paper, move the Right Sprocket Block, then push down the Fixing Lever to lock the Right Sprocket Block.



If the paper slack cannot be removed, adjust the Left Sprocket Block position.

Be careful not to stretch the paper so much that it tears.



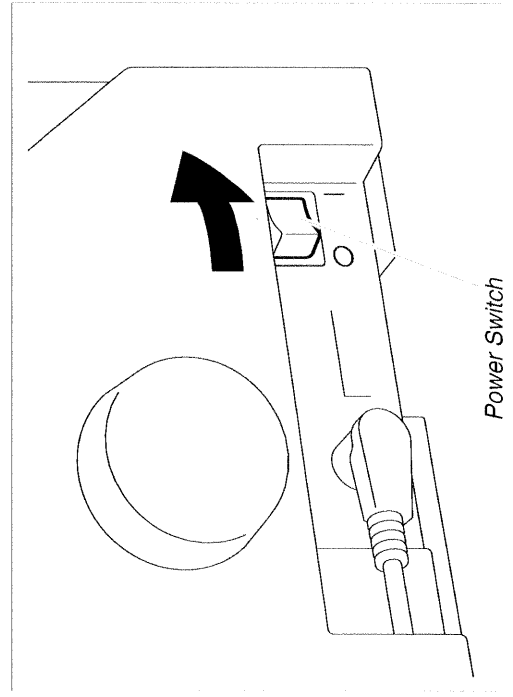


Push down the Manual Insert Guide

Close the Front Cover



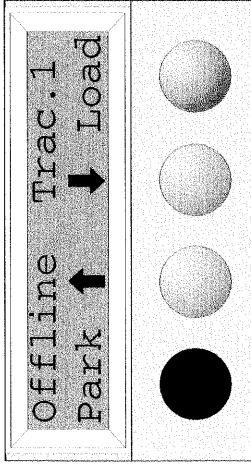
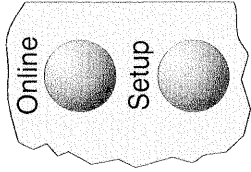
Before closing the Front Cover, ensure that the Sprocket Block Paper Holds are closed.



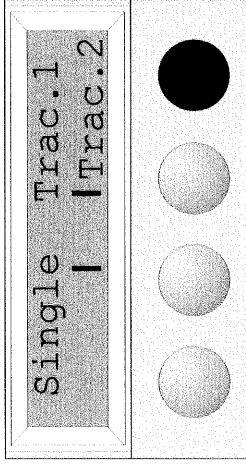
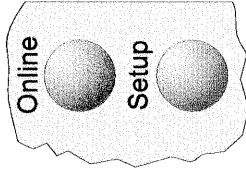
Turn the Power Switch ON ("I"). The active feeder (in our example **Trac.1**) is displayed.

Setting Continuous Form Feed Paper

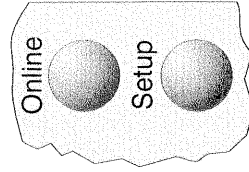
Make sure that the printer is in Offline status; press the **Online** key, if necessary. Press the **Park** key.



Press the **Trac.2** key to select the 2nd push tractor. The continuous form feed paper for the built-in tractor returns to the stand-by position, and the other continuous form feed paper is fed from the optional 2nd tractor.

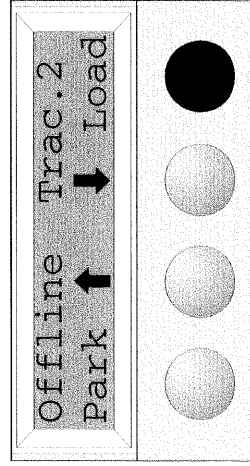
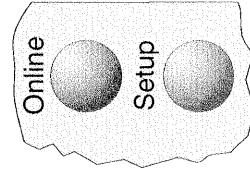


The display toggles between...



...and

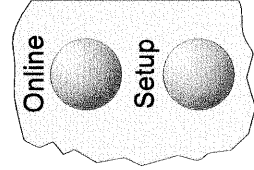
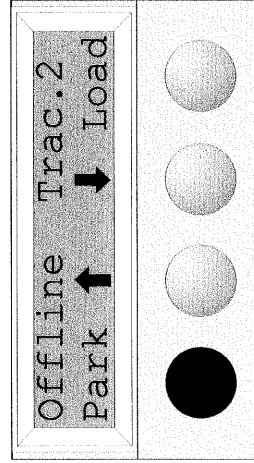
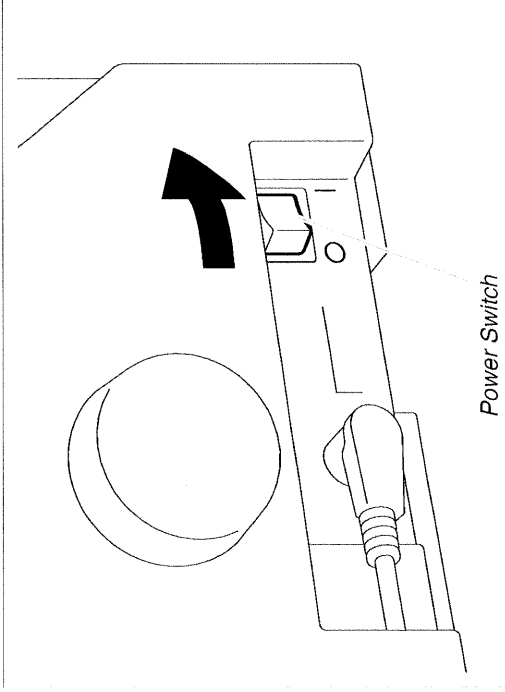
Press the **Load** key to load paper before printing.



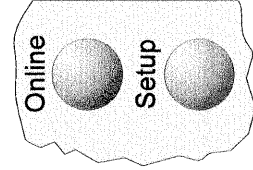
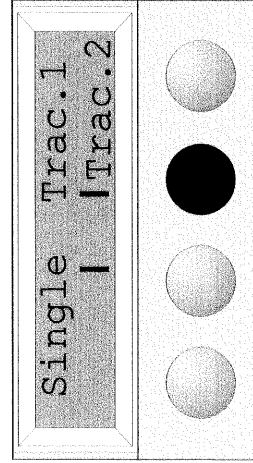
Alternating between Tractors

If the Lower Tractor Mode (for the built-in tractor) is to be used while in the Upper Tractor Mode (for the Optional Tractor), or vice versa, alternate the tractors according to the following procedure.

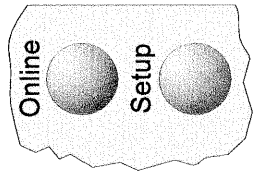
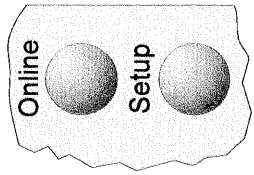
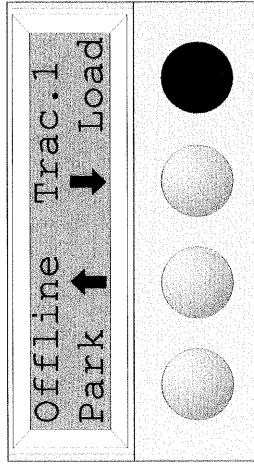
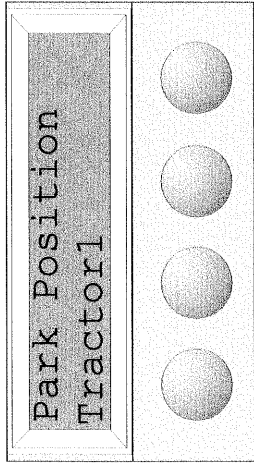
Make sure that continuous form feed paper is loaded in the built-in tractor.
Turn the Power Switch ON ("I").



Make sure that the printer is in Offline status; press the **Online** key, if necessary. Press the **Park** key.
In our example the continuous form feed paper for the optional 2nd tractor returns to the stand-by position, and the other continuous form feed paper is fed from the built-in tractor.
Tear off the fed out continuous form feed paper at the perforated line.



Select the desired tractor (in our example the lower, built-in push tractor: **Trac.1**).



The display toggles between...

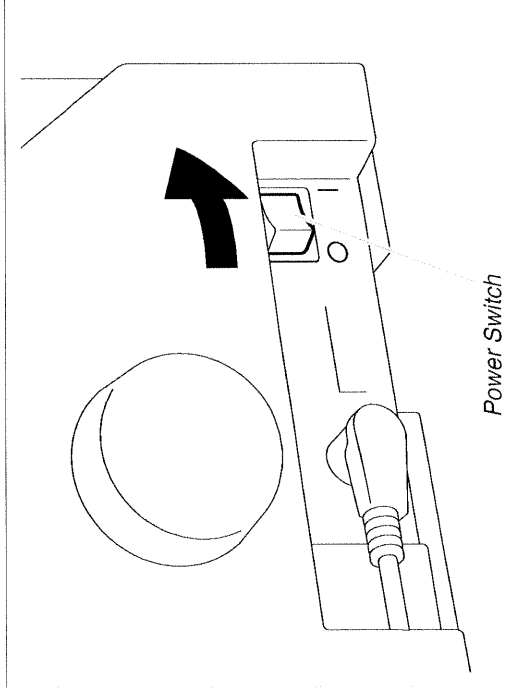
...and

Press the **Load** key to load paper before printing.

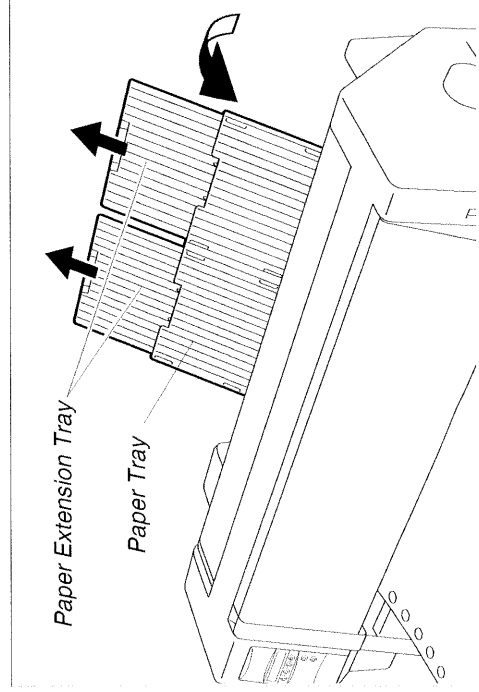


Setting Single Sheet Paper

To set single sheet paper when the Optional Tractor is set, insert the single sheet in the front of the printer. The printout can be fed out to the rear or front in the Initial Setting selection. Refer to Part II of the Operator's Manual, *Initial Setting*.



Turn the printer Power Switch ON ("I") position.



Stand the Paper Tray up in the arrow-marked direction indicated by the arrow.

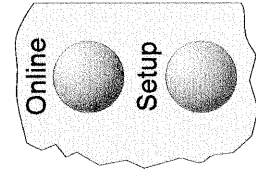
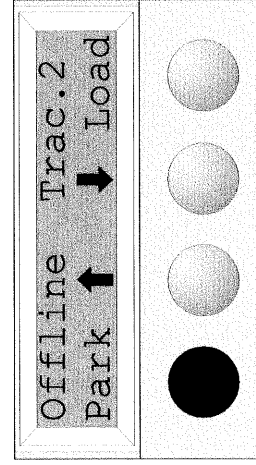
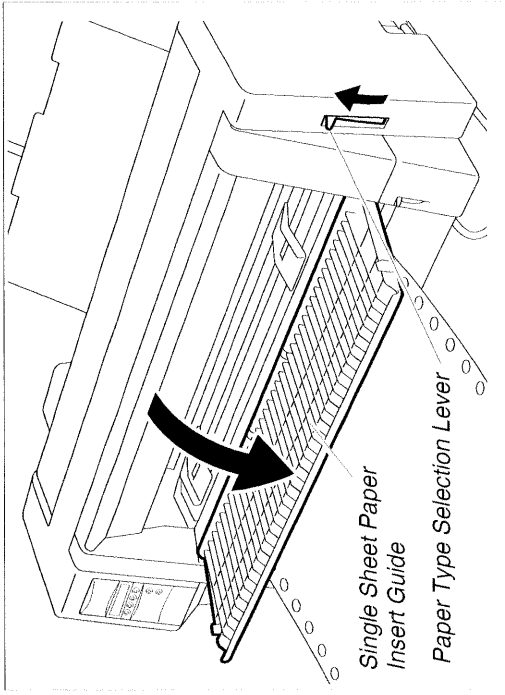
While holding the Paper Tray, pull out the Paper Extension Trays.

Adjust the Paper Thickness Adjustment Lever to the type of paper to be used. Refer to Part I of the Operator's Manual, *Setting the printhead gap*.

Setting Single Sheet Paper

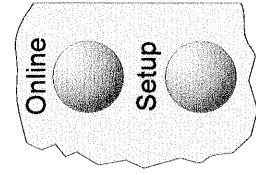
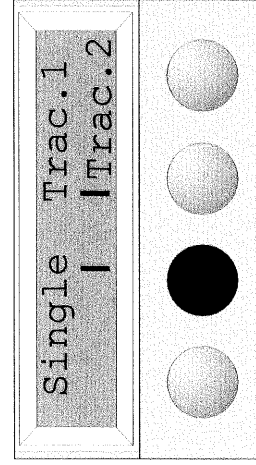
Push up the Paper Type Selection Lever to single sheet Paper Mode.

Open the single sheet paper Insert Guide.



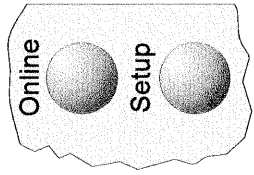
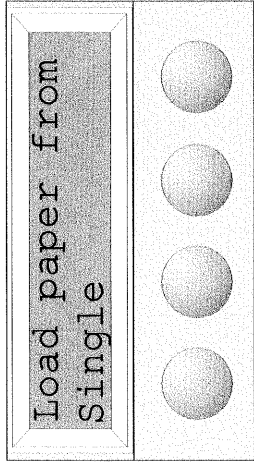
Make sure that the printer is in Offline status; press the **Online** key, if necessary. Press the **Park** key. The continuous form feed paper for the optional Tractor returns to the stand-by position.

Tear off the fed out continuous form feed paper at the perforated line.



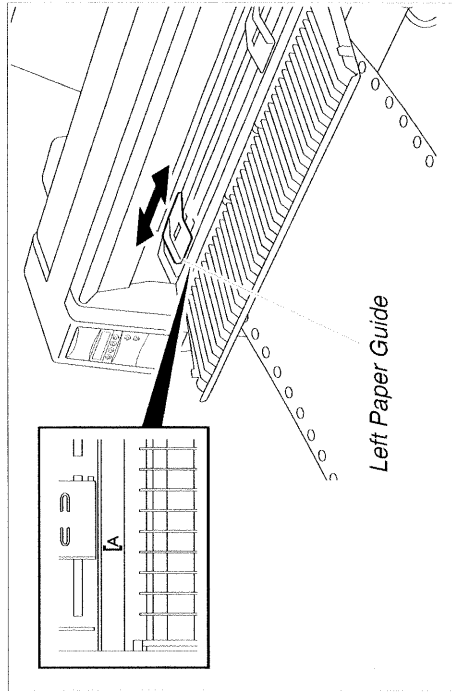
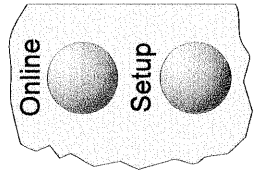
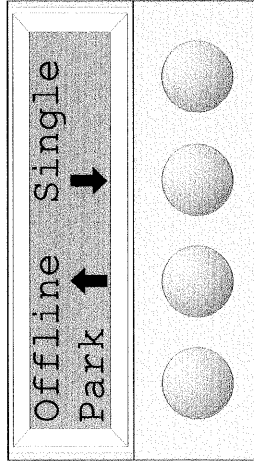
Select single sheet mode.



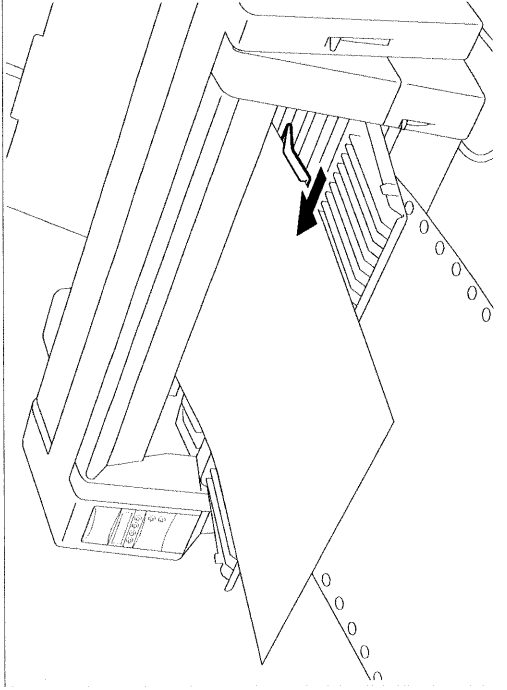


The display toggles between...

... and



To adjust the left margin, move the Left Paper Guide to the left or right. The "J" mark is the standard print start position.



Place a single sheet in the printer, aligning the left edge of the paper to the Left Paper Guide and the right edge of the paper to the Right Paper Guide Right.

Insert the single sheet paper between the Left and Right Paper Guides. The paper is automatically fed up to the print start position and the printer is ready to print.



The paper feed-out capacity is about 30 sheets for 55 kg-paper (ream) when the option "Feed-out to Rear" is ON. When the option "Feed-out to Front" is ON, you must remove the printed sheets one by one.