

Tally

T2240/9

T2340/9

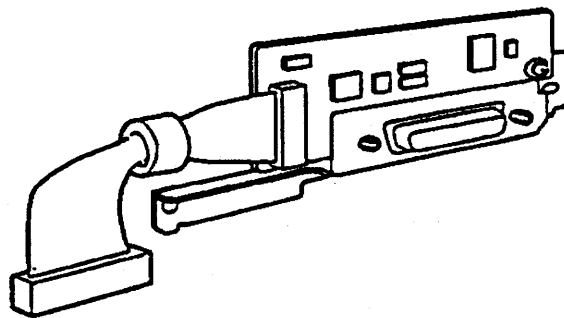
Installation of

T2240/24

Interface RS 232

T2340/24

Interface RS 422



The interface box must include:

- 1 I/O Module
- 1 I/O Cover
- 2 Screws
- 1 Installation Guide

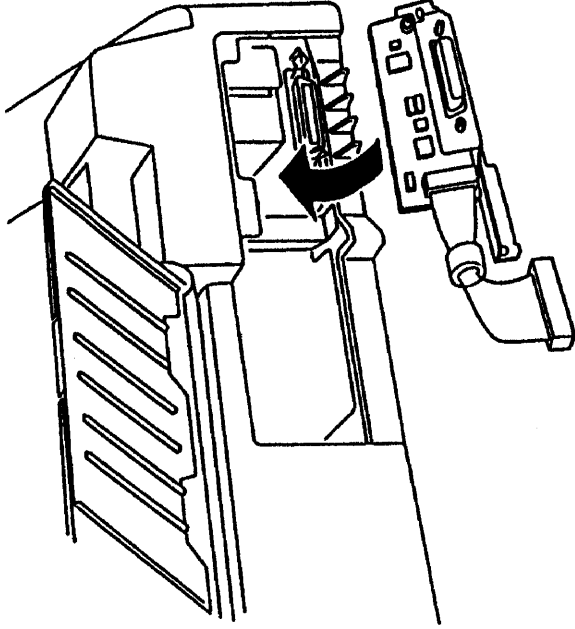
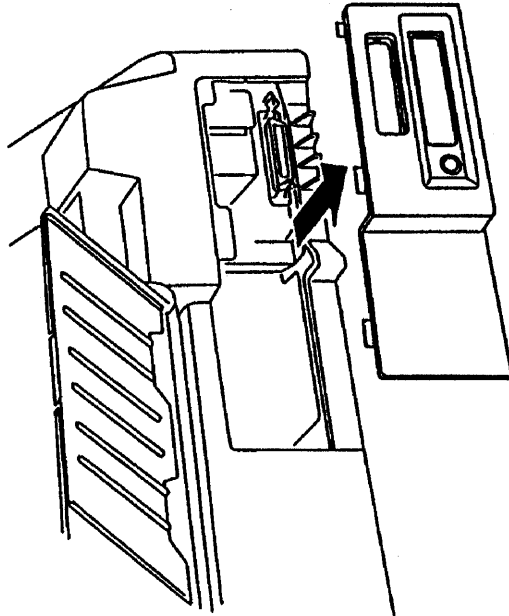
BACK

?

QUIT

Installing the Serial Interface Module

- Switch printer power off (O^{ff}).
- Lift up the paper tray of the printer .
- Remove the original interface cover, pull it out.



- Insert the Serial Interface Module as shown above.
- Fix the Serial Interface Module with 2 screws.
- Plug the connector of the Serial Interface Module into the connector of the logic board correctly, it is keyed.
- Insert the interface cover delivered with the module.
- Switch printer power on (Oⁿ).
- Select the serial I/O via the menu of the printer. See reference manual.