

Owner's Manual – 2314

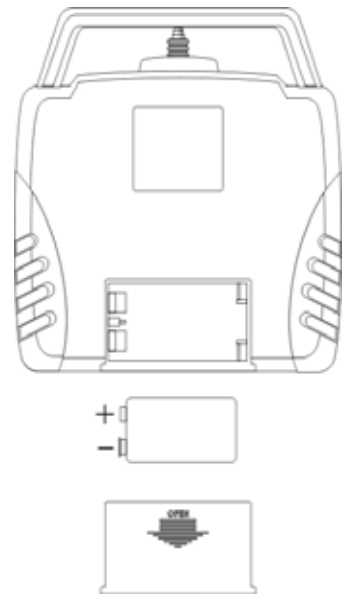
Read Owner's Manual carefully and completely before operating the Motorcycle.

*Battery Requirement: : One (1) 9V battery for transmitter
One (1) 7.2V battery pack for Motorcycle*

Installing the Battery in the Transmitter

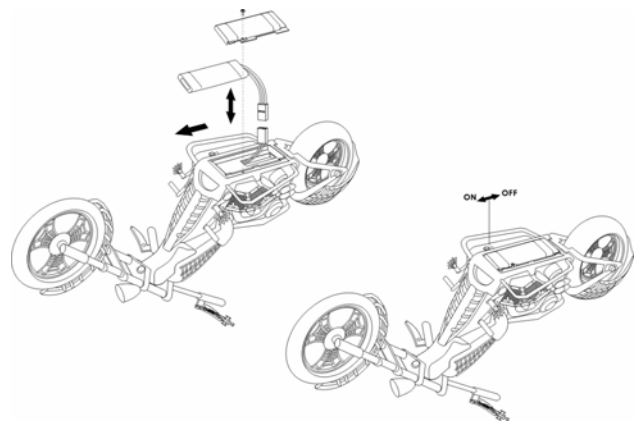
1. Slide the battery compartment cover in the direction of the arrow on the cover to remove it.
2. Install the 9V battery in the compartment in accordance to the polarity symbols (+ and -) marked inside.
3. Replace the cover and snap it shut.

Note: When the range of transmitter decreases, replace with a new battery.



Installing Battery in the Motorcycle

1. Turn the ON/OFF switch on the side of the Motorcycle to OFF.
2. Loosen the screw on the battery compartment cover located on the bottom of the motorcycle and remove the cover.
3. Install the 7.2V battery pack in the compartment. Make sure the battery pack is fully charged before use. Attach the battery pack's white plastic connector to the motorcycle's matching connector. Do not force them together. They only fit one way.
4. Replace the cover and secure it with the screw.

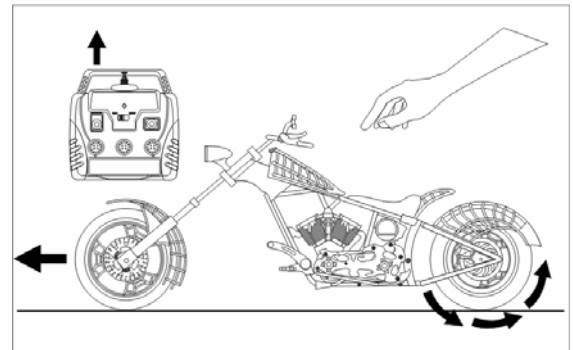
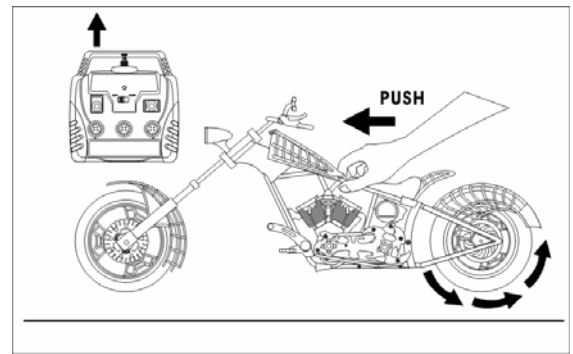


Installing the Antenna

1. Route the loose end of the motorcycle's antenna wire through the supplied antenna tube.
2. Insert the tube securely into the motorcycle's tube holder.

Driving The Motorcycle

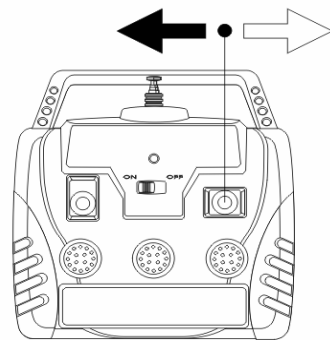
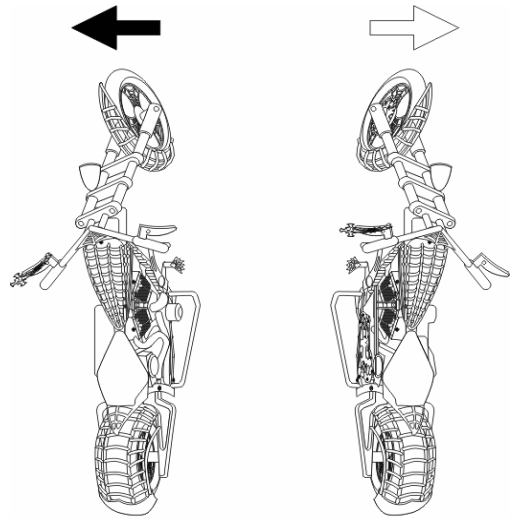
1. Extend the transmitter's antenna to its full length before driving the motorcycle. For maximum range, hold the transmitter with the antenna as high as possible and point it straight up.
2. Turn the Motorcycle and Transmitter's ON/OFF switch to ON. The LED indicator on the transmitter illuminates.
3. Hold the front of the seat and lift the rear wheel of the Motorcycle off the ground.
4. Push the Left Control Lever on Transmitter forward for about 5 seconds to conduct a warm up drive of the Motorcycle rear wheel.
5. Release the motorcycle on floor and start driving. Be sure to run in a large open area as the unit requires more space to make a full turn than most radio controlled vehicles.



6. Use the Transmitter's control levers to drive and steer your Motorcycle as follows:

- Push Left Control Lever forward to move Forward.
- Push Left Control Lever forward and Right Control Lever left to move Left.
- Push Left Control Lever forward and Right Control Lever right to move Right.
- Pull Left Control Lever backward to apply a Brake and release to make a Stop.
- Push the Left Control Lever forward for a few seconds, the Motorcycle could Stand Up and moves Forward automatically.

Caution: If the Motorcycle gets stuck under an object, immediately release the control levers on the transmitter and retrieve the Motorcycle.



7. When you finish driving, turn the motorcycle and transmitter to off and retract the antenna on transmitter.

Battery Notes

- Use only fresh batteries of the required size and recommended type.
- Do not mix old and new batteries, different types of batteries (Standard, alkaline or rechargeable), or rechargeable batteries of different capacities.
- Non-rechargeable batteries are not to be recharged.
- Rechargeable batteries are to be removed from the vehicle before being charged.
- Rechargeable batteries are only to be charged under adult supervision.

- Only batteries of the same or equivalent type as recommended are to be used.
- Batteries are to be inserted with the correct polarity.
- Exhausted batteries are to be removed from the unit. Never leave dead or weak batteries in the Vehicle or Transmitter.
- The supply terminals are not to be short-circuited.
- If you will not be using the Vehicle for several days, remove the batteries. Batteries can leak chemicals that can damage electronic parts.
- Dispose of batteries promptly & properly; do not bury or burn them.
- Charger used with the vehicle are to be regularly examined for damage to the cord, plug, enclosure and other parts. In the event of such damage, the vehicle must not be used with this charger until the damage has been repaired.

Care of the Vehicle

- Never drive the vehicle on a wet floor, on sand, in mud, in rain, in water or in snow.
- Do not expose the vehicle to extreme temperatures.
- In order to protect the vehicle's wheel mechanisms from lint and hair, do not drive it on carpet.
- Wipe the vehicle with a damp cloth occasionally to keep it looking new.
- Modifying or tampering with the vehicle or the transmitter's internal components can cause a malfunction.

Helpful Hints and Tips

Following hints and general safety tips are for maximizing enjoyment from your vehicle.

- For better performance, you are advised to play the vehicle in large open areas.
- Please check packaging box to see which frequency your vehicle uses.
- Always turn transmitter and vehicle OFF before handling the vehicle or transmitter.
- Do not try to make any changes to the vehicle's circuit board or motor, as this will damage the unit.
- If the vehicle moves slowly and you have installed new batteries, check the wheel mechanisms for lint, thread, hair or dust.
- Take note of the age-grading given on the packaging box. Children under 8 should have parental supervision while operating the vehicle.

The FCC Wants You to Know

Your vehicle or transmitter might cause TV or radio interference even when it is operating properly. To determine whether your vehicle or transmitter is causing the interference, turn off your vehicle and the transmitter. If the interference goes away, your vehicle or transmitter is the causing it.

Try to eliminate the interference by :

- Moving your vehicle and transmitter away from the TV or radio.

If you cannot eliminate the interference, the FCC requires that you stop using your vehicle.

This device complies with Part 15 of the FCC Rules.

Operation is subject to the following two conditions:

- (1) this device may not cause harmful interference, and
- (2) this device must accept any interference received, including interference that may cause undesired operation.

FCC NOTE: THE MANUFACTURER IS NOT RESPONSIBLE FOR ANY RADIO OR TV INTERFERENCE CAUSED BY UNAUTHORIZED MODIFICATIONS TO THIS EQUIPMENT. SUCH MODIFICATIONS COULD VOID THE USER'S AUTHORITY TO OPERATE THE EQUIPMENT.



POWER OF ATTORNEY

MODEL NO: RCB96827

September 16, 2004
Federal Communications Commission
Authorization and Evaluation Division
7435 Oakland Mills Road
Columbia, MD21046

To whom it may concern:

We, the undersigned, hereby authorized TIMCO ENGINEERING, INC. on our behalf, to apply to the Federal Communications Commission on our equipment. Any and all acts carried out by TIMCO ENGINEERING, INC. on our behalf shall have the same effect as acts of our own. This authorization expires on Dec. 31, 2004.

This is to advise that we are in full compliance with the Anti Drug Abuse Act. We, the applicant are not subject to a denial of Federal benefits pursuant to Section 5301 of the Anti Drug Act of 1988, 21 USC835a, and no party to the application is Subject to a denial of Federal Benefits pursuant to that section.

TOYS "R" US

A handwritten signature in black ink, appearing to read "Gene Gillespie", written over a horizontal line.

Gene Gillespie
Managing Director

Manufacturers:

1. Ka Wah Manufactory Ltd.
Wah Hing Ind. Mansions, 10/F., Flat F, 36 Tai Yau Street, San Po Kong, Kln., HK.
2. Kei Seng Plastic Manufacturing (Shenzhen) Co., Ltd.
Lougang Industrial Area, Buji, Longgang, Shenzhen, China.