



# Installation Guide

Outdoor CPE

CPE610

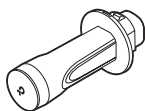
# Contents

<b>Overview</b> .....	<b>1</b>
Package Contents	
Hardware Overview	
<b>Hardware Connection</b> .....	<b>4</b>
Site Consideration	
Hardware Installation	
Power Supply	
Lightning & ESD Protection	
<b>Software Configuration</b> .....	<b>15</b>
Logging in to the PharOS	
Configuration for a Typical Application	
<b>Antenna Alignment</b> .....	<b>18</b>
<b>Specifications</b> .....	<b>19</b>
<b>FAQ</b> .....	<b>20</b>

# Overview

TP-Link's Pharos series outdoor CPEs are dedicated to outdoor wireless network solutions. This guide is applicable to the product CPE610.

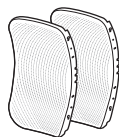
## Package Contents



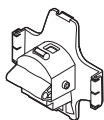
Pharos CPE



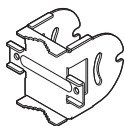
Center Reflector Panel



Side Reflector Panels  
(Qty.2)



Rear Cover



Mounting Bracket  
(For CPE)



Protective Cap



Bolts with Nut and Lock  
Washer Assemblies  
(M6x110, Qty.2)



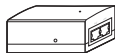
Bolts with Nut and Lock  
Washer Assemblies  
(M6x70)



Pole-mount Clamp



Power Cord



Passive PoE Adapter



Installation Guide



Mounting Bracket  
(For PoE Adapter)



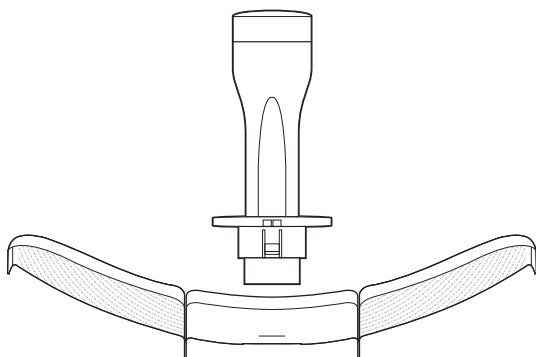
ST3x10 Self-tapping Screws  
(Qty.2)



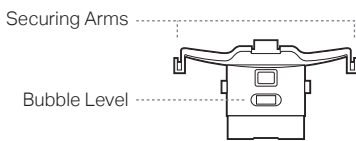
D3x28 Plastic Wall Anchors  
(Qty.2)

# Hardware Overview

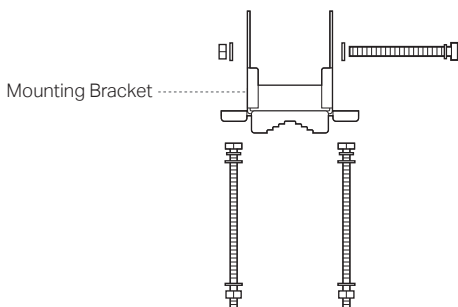
## Bottom View



Reflector Assembly

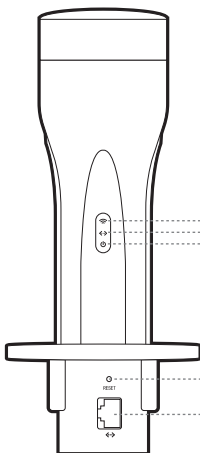


Rear Cover



Pole-mount Clamp

## Panel Layout



**On:** The wireless function is enabled.

**On:** A device is connected to this port, but there is no activity.

**Flashing:** A device is connected to this port, and is active.

**On:** The CPE is powered on.

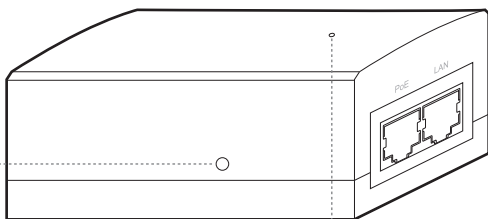
### RESET

Press and hold for 5 seconds to reset the CPE to its factory defaults.

### ETHERNET

The port is to connect to the POE port of the provided PoE adapter for both data transmission and power supply through Ethernet cabling.

## Passive PoE Adapter



### Remote Reset

Press and hold for 5 seconds to reset the CPE to its factory defaults.

### Power LED

**On:** Power on.

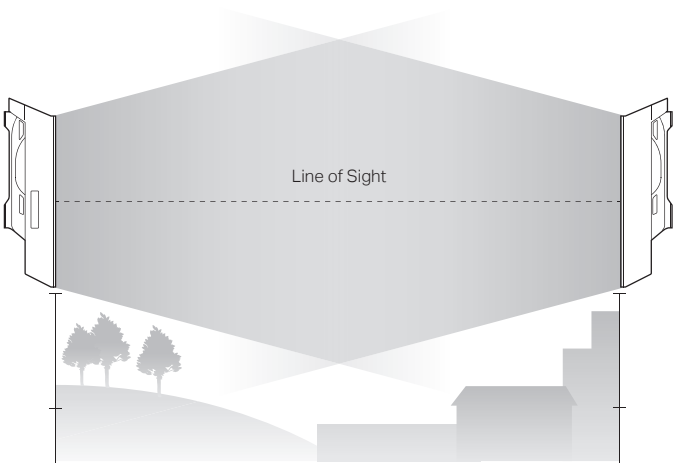
**Off:** Power off.

# Hardware Connection

## Site Consideration

- Mounting Height

Ensure a clear line of sight between the wireless devices for optimum performance. An elevated location is recommended as obstacles like trees, buildings and large steel structures will weaken the wireless signal. See 'Q2' in 'FAQ' for details about how to calculate the minimum mounting height of the devices.



Side View

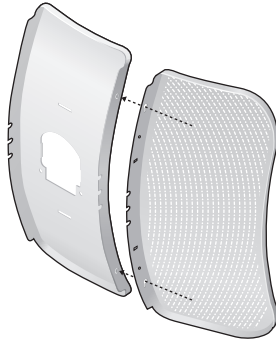
## • Orientation

Install the CPE devices so that they point towards the devices that will receive the signal. You can orient the devices with the help of Google Maps, GPS and some landmarks. The horizontal bandwidth of CPE610 is 6.8°.

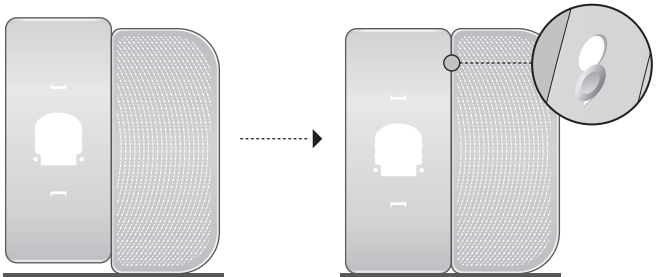


# Hardware Installation

1. Attach the Side Reflector Panels to the Center Reflector Panel as follows:
  - a. Insert the two mounting studs on the Center Reflector Panel into the large opening of the slots on the Side Reflector Panel.

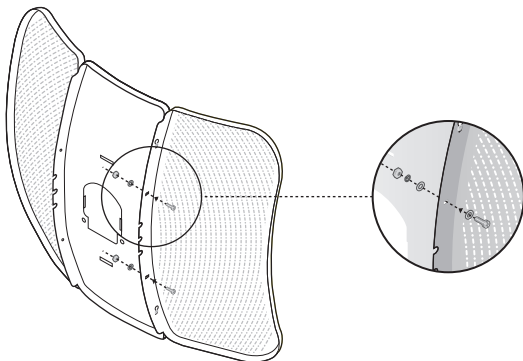


- b. Slide the Side Reflector Panel until the mounting studs are positioned over the narrow opening of the slots, and the top edges of the panels should be aligned when done.



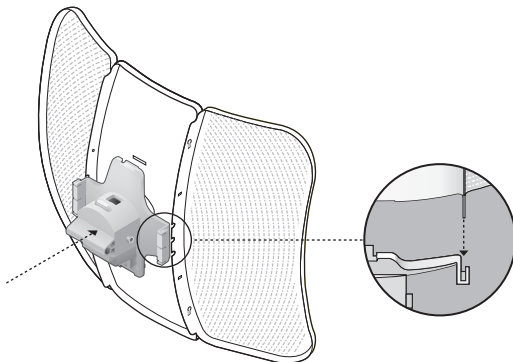


- c. Repeat step a and step b to attach the other Side Reflector Panel.
- d. (Optional) Attach the Side Reflector Panels to the Center Reflector Panel more securely using four M2.5x8 bolts and nuts (not provided). This is recommended if the CPE device is exposed to extreme weather, such as strong winds.

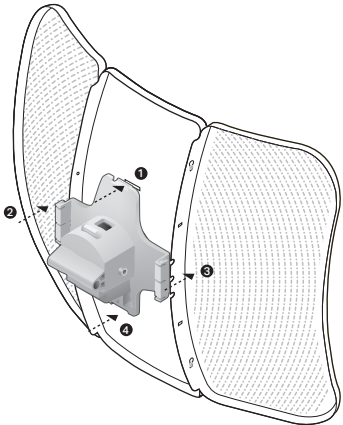


2. Attach the Rear Cover to the reflector assembly as follows:

- a. While holding the reflector assembly, align the raised edges on the back with the Securing Arms of the Rear Cover, and align the Snap Hooks on the Rear Cover with the slots on the Center Reflector Panel.



b. Attach the Rear Cover to the reflector assembly. Press upon the Rear Cover at the four positions marked in the diagram below in sequence until it locks into place.



**WARNING:** To avoid damage, do not place the panels on a flat surface or push down on it.

