

A collection of several light gray squares of varying sizes scattered across the upper half of the page.

user's guide

RCA | RCA LCD FLAT PANEL HDTV






A thin, vertical gray bar located to the right of the title.

contents

| | |
|-------------|----|
| connections | 7 |
| remote | 22 |
| features | 30 |
| menus | 36 |
| FAQs | 40 |
| warranty | 46 |

A collection of several light gray squares of varying sizes scattered across the lower half of the page, above the footer.A decorative footer consisting of a grid of small, light gray squares that fades into the background.

Important Information

| | | | | |
|--|---|---|---|--|
|  | CAUTION RISK OF ELECTRIC SHOCK. DO NOT OPEN |  |  | This symbol indicates that this product incorporates double insulation between hazardous main voltage and user accessible parts. When servicing, use only identical replacement parts. |
| <p>Caution: To reduce the risk of electric shock, do not remove cover (or back). No user serviceable parts inside. Refer servicing to qualified service personnel.</p> | | | | |
|  | This symbol indicates "dangerous voltage" inside the product that presents a risk of electric shock or personal injury. |  | This symbol indicates important instructions accompanying the product. | |

WARNING
To reduce the risk of fire or electric shock, do not expose this product to rain or moisture. This product should not be exposed to dripping or splashing. No objects filled with liquids, such as vases, should be placed on the component.

WARNING
The TV is unstable if it is not properly attached to the base or mounted to the wall. Please follow the base or wall mounting instructions provided in the User's Guide to ensure your safety.



This symbol indicates that this product contains mercury. Special disposal of this product for environmental reasons may be required under the laws applicable to your jurisdiction. For disposal or recycling information, please contact your local authorities or the Electronic Industries Alliance: www.eiae.org.

Refer to the identification/rating label located on the back panel of your product for its proper operating voltage.

FCC regulations state that changes or modifications to this unit not expressly approved by the party responsible for compliance could void the user's authority to operate the equipment.

Cable TV Installer: This reminder is provided to call your attention to Article 820-40 of the National Electrical Code (Section 54 of the Canadian Electrical Code, Part 1) which provides guidelines for proper grounding and, in particular, specifies that the cable ground should be connected to the grounding system of the building as close to the point of cable entry as practical.

Important: This television is a table model and is designed to sit on a firm, flat surface. Don't place the TV on soft carpeting or a similar surface, as the ventilation slots on the bottom of the unit may be blocked, resulting in reduced lifetime from overheating. To assure adequate ventilation for this product, maintain a spacing of 4 inches from the top and sides of the TV receiver and 2 inches from the rear of the TV receiver and other surfaces.

Also, make sure the surface or stand is of adequate size and strength to prevent the TV from being accidentally tipped over, pushed off, or pulled off. This could cause personal injury and/or damage to the TV. Refer to the Important Safety Instructions on the next page.

Product Registration

Please fill out the product registration card (packed separately) and return it immediately. For US customers: Your RCA Consumer Electronics product may also be registered at www.rca.com/television. Registering this product allows us to contact you if needed.

Product Information

Keep your sales receipt to obtain warranty parts and service and for proof of purchase. Attach it here and record the serial and model numbers in case you need them. These numbers are located on the product.

Model No. _____ Serial No. _____ Purchase Date _____
Dealer/Address/Phone _____

Important Safety Instructions

1. Read and follow all instructions.
2. Do not block any ventilation openings. Install in accordance with the manufacturer's instructions.
3. Do not install near any heat sources such as radiators, heat registers, stoves, or other apparatus (including amplifiers) that produce heat.
4. Do not negate the safety purpose of the polarized or grounding-type plug. A polarized plug has two blades with one wider than the other. A grounding type plug has two blades and a third grounding prong. The wide blade or the third prong is provided for your safety. If the provided plug does not fit your outlet, consult an electrician for replacement of the obsolete outlet.
5. Protect the power cord from being walked on or pinched particularly at plugs, receptacles, and the point where it exits from the component.
6. Do not use this component near water.
7. Only use the attachments/accessories specified by the manufacturer.
8. Clean only with dry cloth.
9. Use only with the cart, stand, tripod, bracket, or table specified by the manufacturer, or sold with the component. When the TV is placed on a cart, use caution when moving the cart to avoid injury from tip-over.
10. Unplug this component during lightning storms or when unused for long periods of time.
11. Refer all servicing to qualified service personnel. Service is required when the component is damaged in any way, such as power supply cord or plug damage, liquid spilled on or objects falling onto the component, rain or moisture exposure, abnormal operation, or if the component has been dropped.
12. If an outside antenna or cable system is connected to the product, be sure the antenna or cable system is grounded so as to provide some protection against voltage surges and built-up static charges. Section 810 of the National Electrical Code, ANSI/NFPA No. 70-1984 (Section 54 of Canadian Electrical Code, Part 1) provides information with respect to proper grounding of the mast and supporting structure, grounding of the lead-in wire to an antenna-discharge unit, size of grounding conductors, location of antenna-discharge unit, connection to grounding electrodes, and requirements for the grounding electrode. See following example:

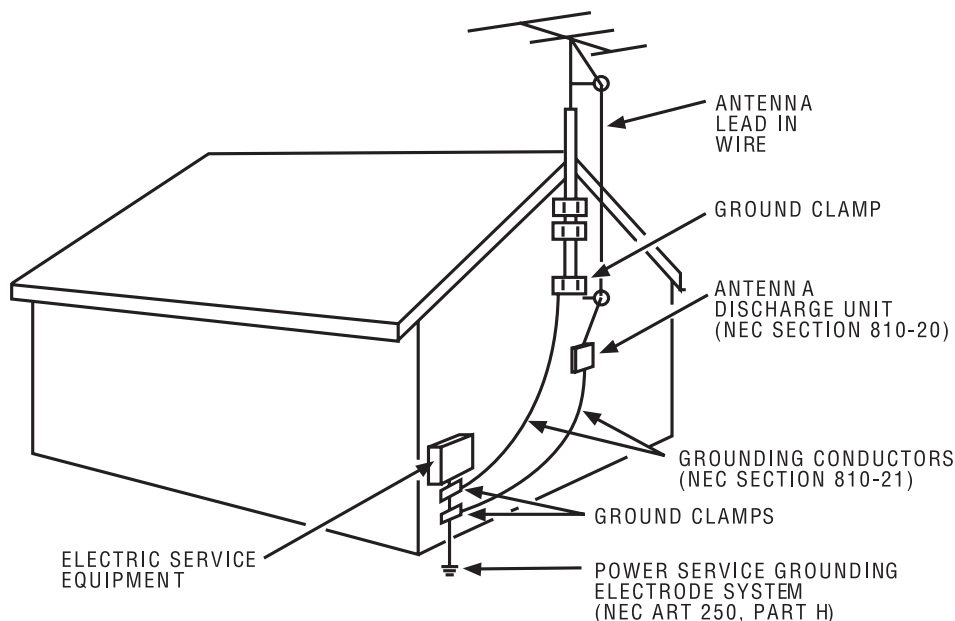


Table of Contents

| | |
|-----------------------------------|----|
| Important Information | i |
| Important Safety Information..... | ii |

Chapter 1 | Connections & Setup

| | |
|---|-----------|
| Before Initial Setup..... | 7 |
| Protect Against Power Surges | 7 |
| Safety..... | 7 |
| Avoid Audio Interference..... | 7 |
| Avoid Direct Light | 7 |
| Check Supplied Parts..... | 7 |
| Attaching Your TV to the Table Stand..... | 8 |
| Mounting Your TV to the Wall | 12 |
| Obtain the Signal..... | 12 |
| What You Need | 12 |
| What You Need to Know | 12 |
| Choose Your Connections | 13 |
| Composite Video Connection | 14 |
| Component Video Connection..... | 14 |
| HDMI/DVI Connection | 15 |
| PC Connection | 16 |
| Viewing the Picture from the Connected Component..... | 16 |
| Viewing a PC..... | 16 |
| Plug in the TV..... | 17 |
| Put Batteries in the Remote..... | 17 |
| Turn on the TV | 17 |
| Using the Remote Control to Complete the Initial Setup | 17 |
| Complete the Initial Setup | 18 |
| Set the Menu Language | 18 |
| Set the TV Location Mode | 18 |
| Complete Channel Setup..... | 18 |
| What To Expect | 19 |
| Watching TV- Analog Channels..... | 19 |
| Watching TV – Digital channels..... | 19 |
| Changing Channels | 19 |
| Explanation of Jacks (in alphabetical order)..... | 20 |
| Buttons and Other Jacks on Your TV/DVD..... | 21 |
| Side Input Jacks..... | 21 |
| Side Panel Buttons | 21 |

Chapter 2 | Using the Remote Control

| | |
|---|-----------|
| Remote Control Buttons | 22 |
| TV Functions | 22 |
| INPUT Button | 23 |
| Programming the Remote to Operate Other Components | 23 |
| General Information | 23 |
| Programming the Remote | 24 |
| Using Direct Entry | 24 |
| Using Manual Code Search | 24 |
| Using Automatic Code Search | 25 |
| Using the Remote | 25 |
| Modes of Operation | 25 |
| Manual Reset | 25 |
| Remote Code List | 26 |

Chapter 3 | Using TV Features

| | |
|---|-----------|
| Channel Banner | 30 |
| Autotuning | 30 |
| Parental Controls and V-Chip | 31 |
| V-Chip - US and Canada | 31 |
| Lock/Unlock Parental Controls | 32 |
| V-Chip Rating Screen | 32 |
| US V-Chip TV Ratings | 32 |
| Blocking Specific Content Themes | 33 |
| US V-Chip Movie Rating Limit | 33 |
| Blocking Canada V-Chip Ratings | 34 |
| Future Rating Region | 34 |
| Reset Downloadable Data | 34 |
| Blocking Unrated/Exempt Programs | 34 |
| Block Channel | 34 |
| Button Block | 34 |
| Change Password | 35 |
| Additional Features | 35 |
| Screen Formats | 35 |

Chapter 4 | Using the TV Menu

| | |
|------------------------------------|-----------|
| Using the Menu System | 36 |
| Picture Menu | 36 |
| Sound Menu | 37 |
| Channel Menu | 38 |
| Parental Control Menu | 38 |
| Setup Menu | 38 |
| Time Menu | 39 |

Chapter 5 | Other Information

| | |
|--|-----------|
| Frequently Asked Questions (FAQs) | 40 |
| Troubleshooting | 41 |
| V-Chip Rating Explanations | 44 |
| US V-Chip Rating System..... | 44 |
| Canadian English V-Chip Rating System..... | 44 |
| Canadian French V-Chip Rating System | 45 |
| Limited Warranty | 46 |
| Care and Cleaning | 50 |

1 Connections and Setup

Before Initial Setup

Protect Against Power Surges

- Connect all components before you plug any power cords into the wall outlet or power strip.
- NEVER plug your TV into an outlet that is controlled by a wall switch.
- Turn off the TV before you connect or disconnect any cables.
- Make sure all antennas and cables are properly grounded. Refer to the Important Safety Instructions.

Safety Information

- Protect components from overheating.
- Don't block ventilation holes on any of the components. Arrange the components so that air can circulate freely.
- Don't stack components.
- If you place the component in a stand, make sure you allow adequate ventilation.
- If you connect an audio receiver or amplifier, place it on the top shelf so the heated air from it won't harm other components.

Avoid Audio Interference

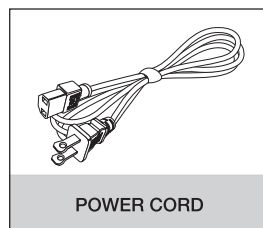
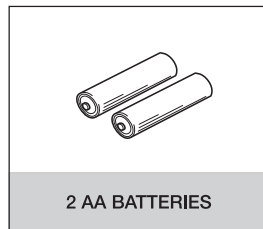
- Position cables properly; insert each cable firmly into the designated jack.
- If you place components above the TV, route all cables down one side of the back of the TV instead of straight down the middle.
- If your antenna uses 300-ohm twin lead cables, do not coil the cables.
- Keep twin lead cables away from audio/video cables.

Avoid Direct Light

Don't place the TV where sunlight or room lighting is directed toward the screen. Use soft or indirect lighting.

Check Supplied Parts

Check that the following parts were packed with your product.



Go to pages 8, 9 and 10 to see the parts list for the table stand.

Graphics contained within this publication are presentation only.

Replacing your remote

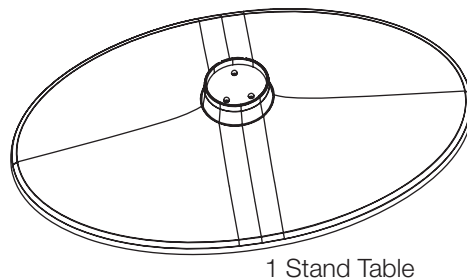
If you need to replace your remote, call **1-800-338-0376**. A shipping and handling fee, and the appropriate sales tax, will be charged upon ordering. Have your Visa, MasterCard, or Discover Card ready.

Attaching Your TV to the Table Stand

Your TV comes without the table stand attached so that you can choose to mount your TV either to its table stand or to a wall (wall mount sold separately). If you want to mount your TV to the wall, don't attach the table stand. Follow the Mounting Your TV to the Wall instructions on page 12.

Fixed Table Stand Assembly for Models L26HD31 and L26HD31S

Parts List



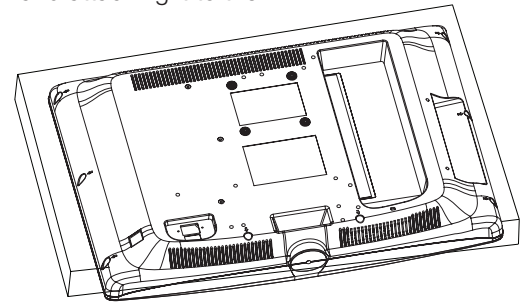
1 Stand Table



3 Size M4 ST-Screws

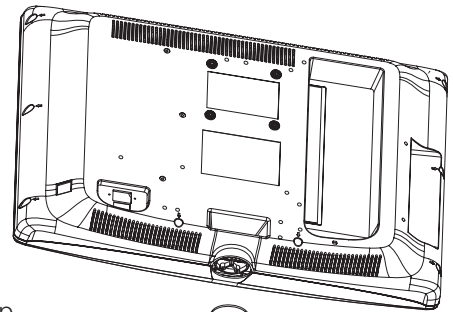
Step 1

Remove the TV bag and place it on a large, flat surface such as a table or countertop. Remove the TV from the carton and place it face down on the TV bag. Be sure that the TV is face down to avoid scratching the screen. Follow the directions on the following pages for assembling the stand and attaching it to the TV.



Step 2

1. Remove the base and the assembly parts from the box.
2. Remove the stand cap from the TV cabinet, using a screwdriver to remove the screw and pulling out the cap.

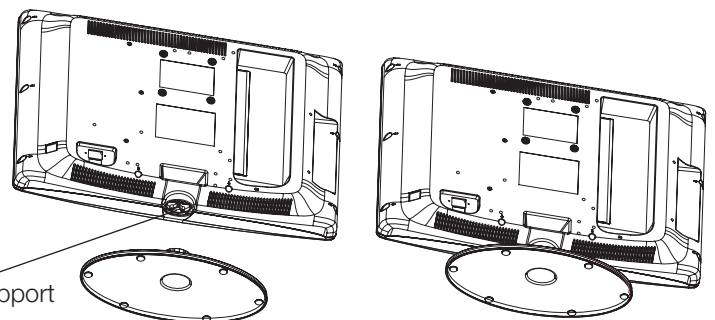


Stand cap
Size M3 ST-Screw

Step 3

1. Attach the table stand to the TV cabinet. To do this, insert the stand into the stand connector support.
2. Align the screw holes. Insert the three screws and tighten with a screwdriver.

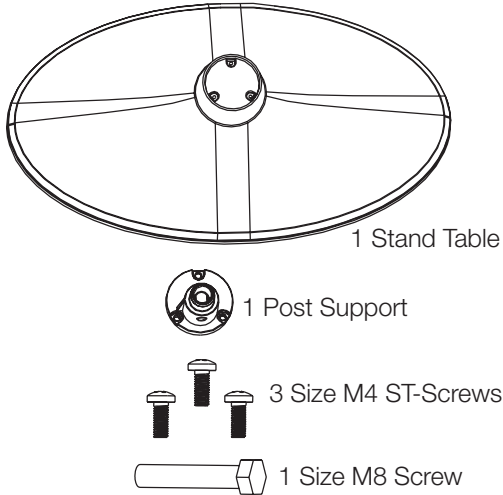
Stand Connector Support



3 Size M4 ST-Screws

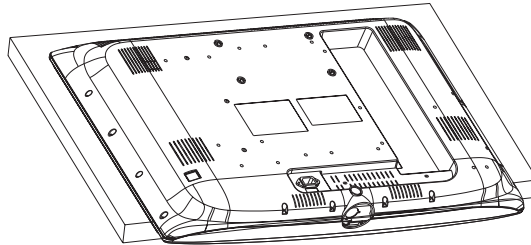
Fixed Table Stand Assembly for Model L32HD31

Parts List



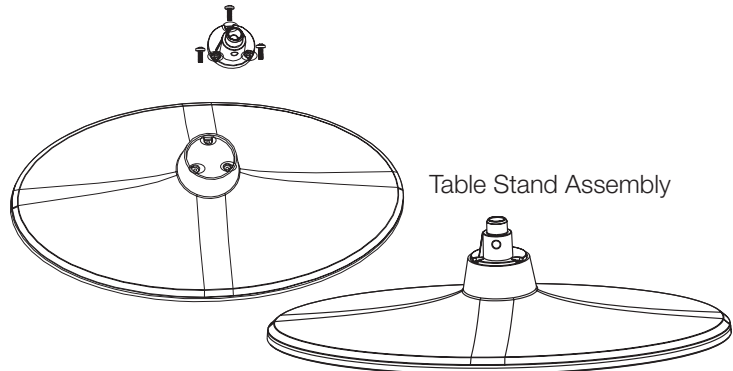
Step 1

Remove the TV bag and place it on a large, flat surface such as a table or countertop. Remove the TV from the carton and place it face down on the TV bag. Be sure that the TV is face down to avoid scratching the screen. Follow the directions on the following pages for assembling the stand and attaching it to the TV.



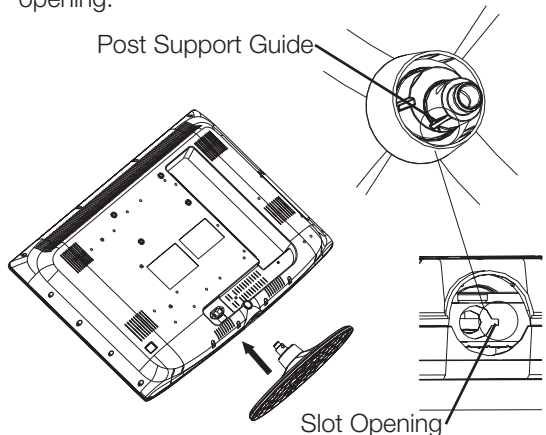
Step 2

1. Remove the base and the assembly parts from the box.
2. Place the post support on the stand base, aligning the screw holes.
3. Attach the post support to the stand base by inserting the three M4 ST-screws from the top and tightening with a screwdriver.



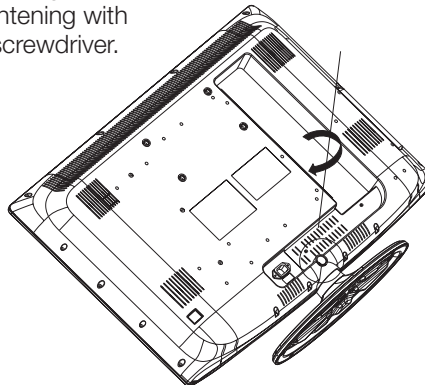
Step 3

Attach the table stand to the TV cabinet by inserting the post support into the cabinet while aligning the post support guide and the slot opening.

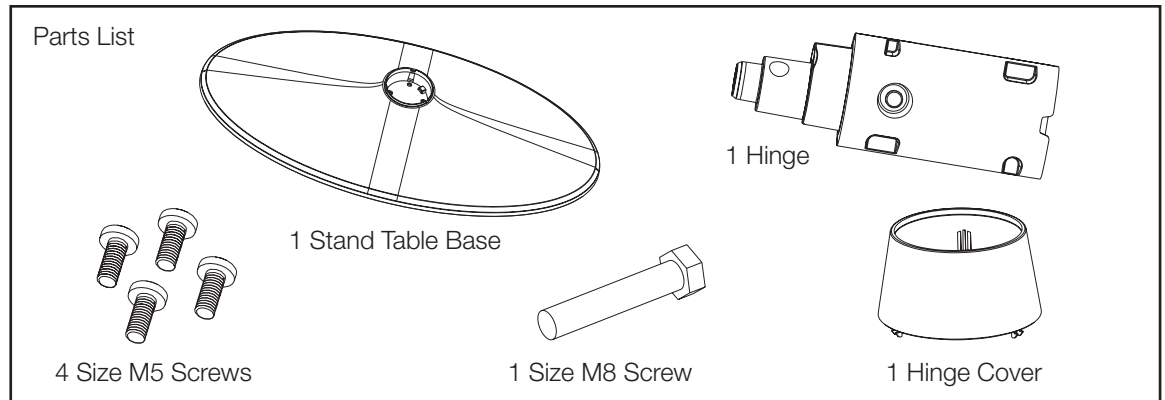


Step 4

1. When the post support is in place, the support threads are visible through the small hole in the back of the TV.
2. Secure the table stand to the TV cabinet by inserting the M8 screw into this hole and tightening with a screwdriver.



Swivel Table Stand Assembly for Models L32HD36 and L40HD36



Step 1

There are two options for the stand assembly:

Option 1: Your TV has been packed upside down in the carton (see Figure 1) so you can attach the TV stand assembly before removing the TV from the box. This minimizes the risk of scratching the screen. After removing the bag covering the TV, follow the directions on the following pages for assembling the stand and attaching it to the TV.

Option 2: Remove the TV bag and place it on a large, flat surface such as a table or countertop. Remove the TV from the carton and place it face down on the TV bag (see Figure 2). Be sure that the TV is face down to avoid scratching the screen. Follow the directions on the following pages for assembling the stand and attaching it to the TV.

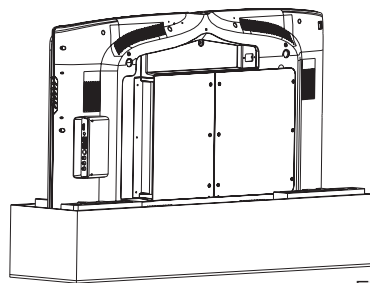


Figure 1

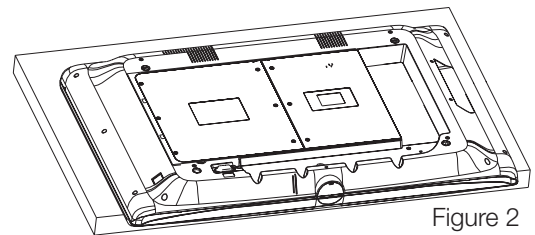
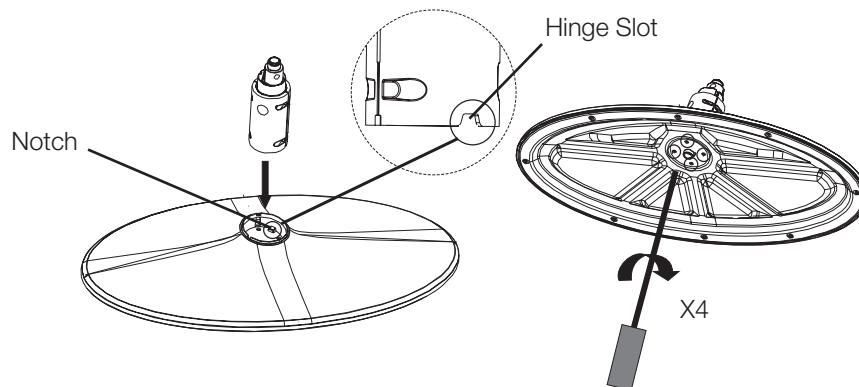


Figure 2

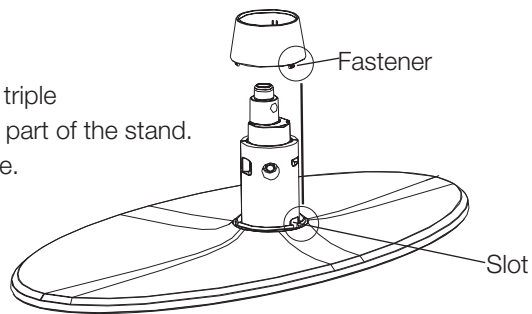
Step 2

1. Remove the base and the assembly parts from the box.
2. Place the hinge on the stand base, aligning the slot on the hinge to the notch on the base.
3. Turn the stand upside down. Using a Phillips head screwdriver, attach the hinge to the stand base using the four M5 screws provided.



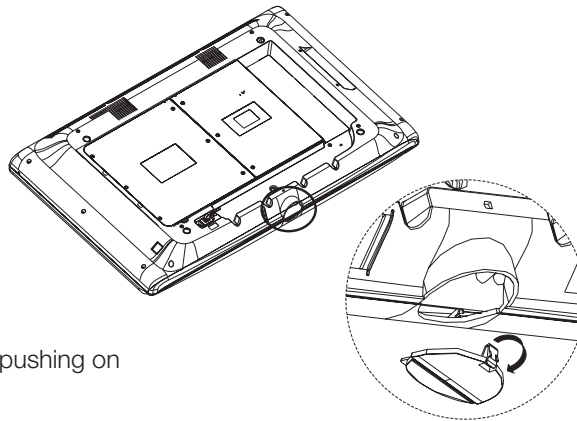
Step 3

1. On the hinge cover, locate the triple-pronged tab.
2. Place the hinge cover over the hinge, aligning the triple pronged tab with the slot on the back (narrowest) part of the stand.
3. Push and fasten the hinge cover to the stand base. Be sure all three tabs snap firmly in place.



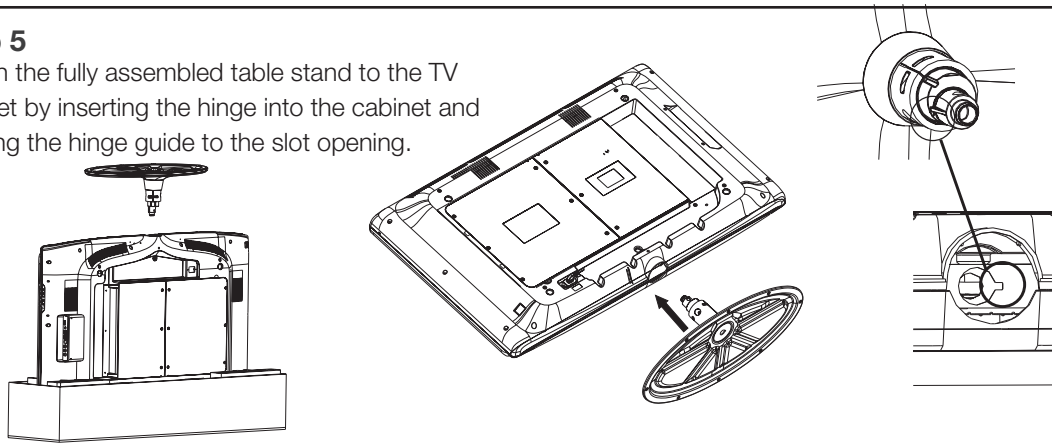
Step 4

Remove the stand cap from the TV cabinet by pushing on the small tab and pulling out the cap.



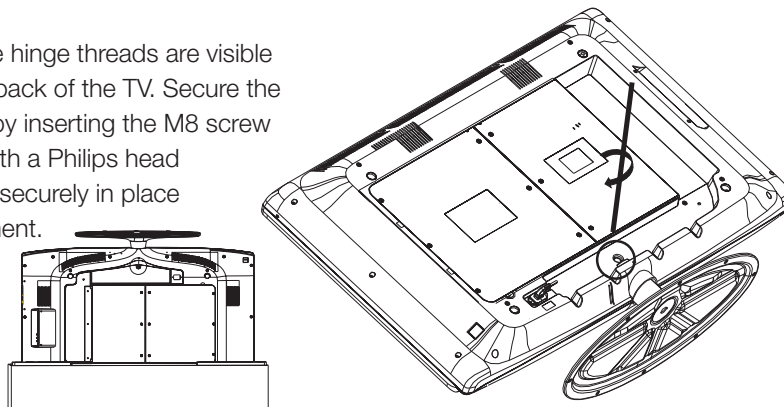
Step 5

Attach the fully assembled table stand to the TV cabinet by inserting the hinge into the cabinet and aligning the hinge guide to the slot opening.



Step 6

When the hinge is in place, the hinge threads are visible through the small hole on the back of the TV. Secure the table stand to the TV cabinet by inserting the M8 screw into this hole and tightening with a Philips head screwdriver. The stand is now securely in place and the TV is ready for placement.



Mounting Your TV to the Wall

Caution: Your wall mount must be able to bear a minimum of five times the TV's net weight to avoid causing damage.

To mount your TV to the wall, purchase a VESA wall mount.

| | |
|------------------------|-------------------------------------|
| Model L26HD31/L26HD31S | Purchase a VESA 100 x 100, M4 screw |
| Model L32HD31/L32HD36 | Purchase a VESA 200 x 100, M4 screw |
| Model L40HD36 | Purchase a VESA 600 x 400, M6 screw |

The VESA number is the horizontal and vertical measurement of the mounting holes. For example, 600x400 refers to fact that the mounting measurements are 600mm horizontally and 400mm vertically.

Notes:

Follow the directions included with the wall mount to mount the TV to the wall.
The space between the TV and the wall must be at least 40 mm.

Obtain the Signal

The first step in connecting your TV is obtaining the signal. The back panel of your TV allows you to receive analog and/or digital channels by using the ANTENNA/CABLE INPUT.

Before you connect your TV, you have to determine whether you will be using an antenna or a cable service to obtain the signal.

What You Need

Antenna (Rabbit Ears) Or Outdoor Antenna with Coaxial Cable

Plug the antenna or coaxial cable from the wall outlet into the ANTENNA/CABLE INPUT on the back of the TV. You are ready to receive off-air local digital and analog channels.

Cable Service

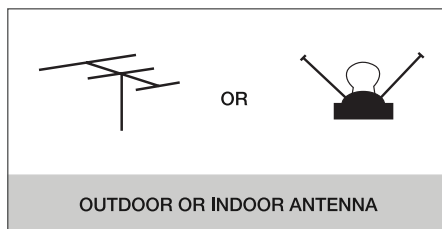
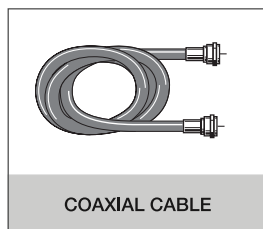
Plug the coaxial cable from the wall outlet into the ANTENNA/CABLE INPUT on the back of the TV. You are ready to receive your cable channels.

Set-Top Box

If you have a set-top box, you may need to call your cable company or satellite service provider. They may recommend special cables to allow you to view digital channels.

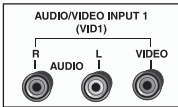
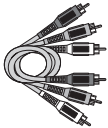
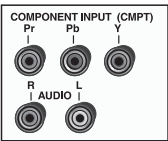
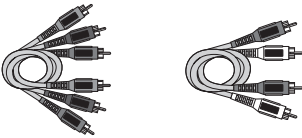
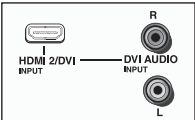
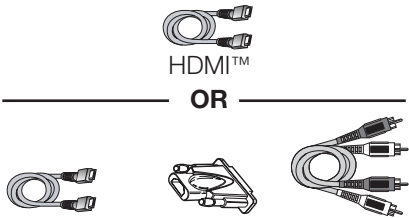
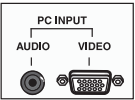
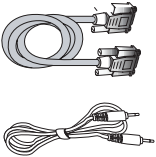
What You Need to Know

- Visit www.antennaweb.org for help in deciding what type of antenna to use in order to receive the local digital channels available to you. Enter your location, and the program will list local analog and digital stations available using your antenna.
- When you watch TV, the Channel Banner displays the type of channel currently viewed. A “D” at the bottom of the screen denotes digital channels and an “A” denotes analog channels. For more information on Channel Banners, see page 30.



Choose Your Connections

There are several ways to connect components, such as DVD players and setup boxes, to your TV. Please use the following chart to determine which connections are best for you. Proceed to the appropriate pages to connect your components.

| Jacks Used | Cable Needed | Go to... |
|--|---|----------|
|  <p>Audio R and L Video</p> |  <p>Audio/Video</p> | page 14 |
|  <p>Y PR Pb Audio R and L</p> |  <p>Component Video Audio</p> | page 14 |
|  <p>HDMI/DVI Audio R and L</p> |  <p>HDMI™ OR HDMI™ + HDMI/DVI Adapter + Audio</p> | page 15 |
|  <p>Audio VGA</p> |  <p>VGA Audio</p> | page 16 |

HDMI, the HDMI logo and High-Definition Multimedia Interface are trademarks or registered trademarks of HDMI Licensing, LLC.

| Input | Signal Compatibility |
|-----------------|---|
| Ant/Cable | 480i, 480p, 720p, 1080i (NTSC, ATSC, and QAM formats) |
| Composite Video | 480i |
| S-Video | 480i |
| Component Video | 480i, 480p, 720p/60Hz, 1080i/60Hz |
| PC | VGA, SVGA, XGA |
| HDMI | 480i, 480p, 720p/60Hz, 1080i/60Hz, 1080p |

Customer Support

For additional assistance in using your RCA product, please visit www.rca.com/customersupport.

Home Installation

Note for US

Customers: If you prefer, we can provide you with the name of an Authorized Service Representative who will, for a fee, install your electronic entertainment system and instruct you in its operation.

For details about this service, call 1-888-206-3359.

Connecting a Component with Composite Video (Good)

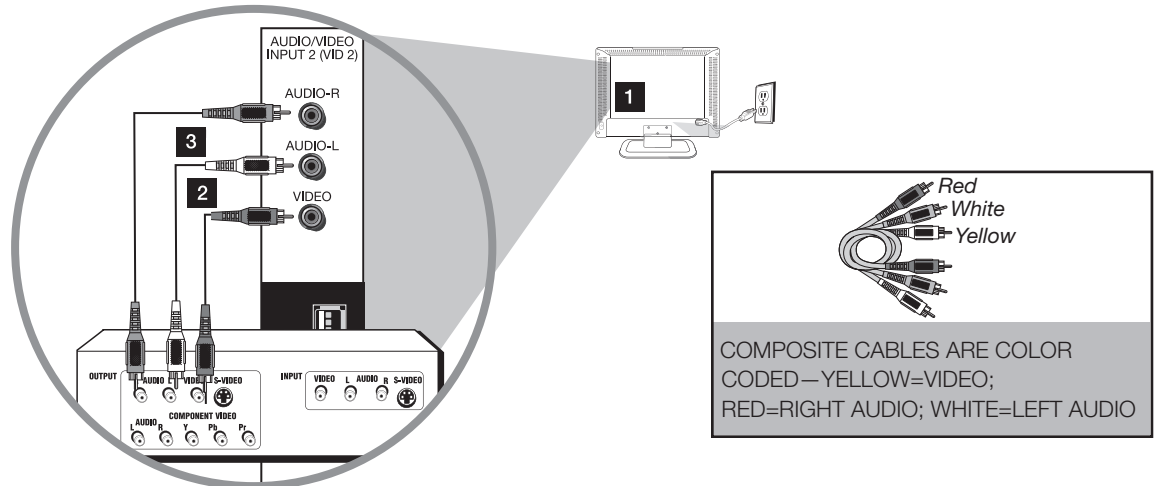
To connect a component with a video output jack, such as a DVD player, follow these steps:

Example: DVD Player

1. Connect your cable and/or off-air antenna as described on page 12.
2. Connect the video cable to the (VID1) VIDEO jack on the back of the TV and to the video output jack on the DVD player.
3. Connect the red and white audio cables to the (VID1) right and left audio jacks on the back of the TV and to the audio output jacks on the DVD player.

Composite Video Connection

This is an example of a connection using the composite video jack.



Don't forget:

If necessary, connect antenna or cable to get a picture. Go to page 12 for instructions.

Connecting a Component with Component Video (Better)

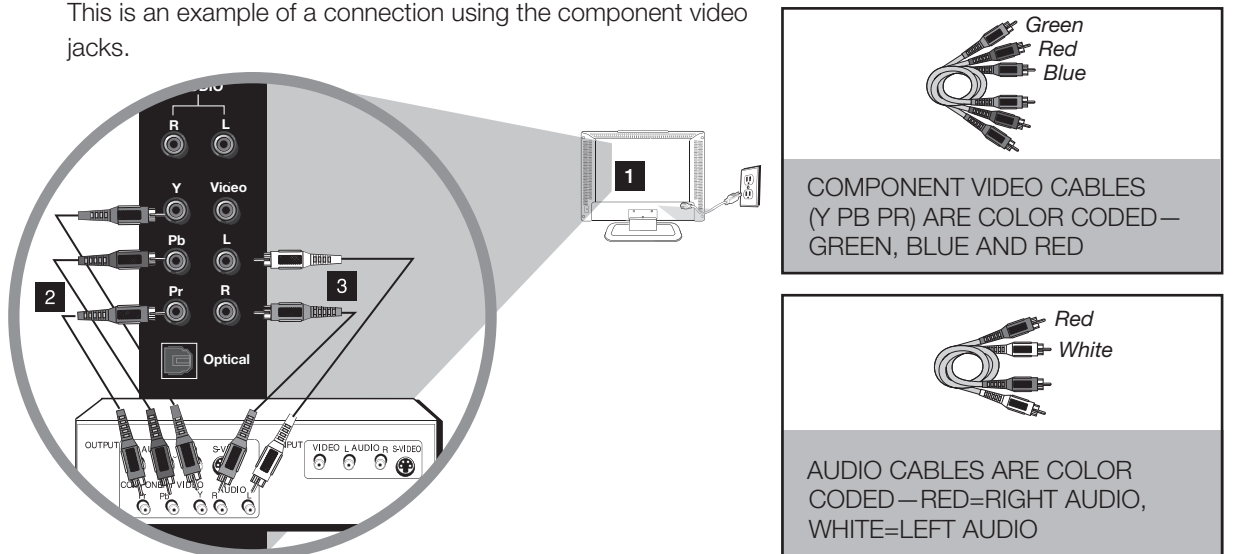
To connect a component that has Y Pb Pr jacks, such as a DVD player, follow these steps:

Example: DVD Player

1. Connect your cable and/or off-air antenna as described on page 12.
2. Connect three video cables or special Y Pb Pr cables to the COMPONENT INPUT 1 (CMPT) Y Pb Pr jacks on the back of the TV and to the Y Pb Pr outputs on the DVD player.
3. Connect your red and white audio cables to the COMPONENT INPUT (CMPT) R and L AUDIO jacks on the back of the TV and to the audio output jacks on the DVD player.

Component Video Connection

This is an example of a connection using the component video jacks.



Connecting a Component with HDMI (Best)

High-Definition Multimedia Interface (HDMI) technology is an uncompressed digital connection that carries both video and audio data by way of an integrated mini-plug cable. Since HDMI technology is based on Digital Visual Interface (DVI), the jack on the back of your TV is also compatible with components that have a DVI output jack.

Example: Set-top box with HDMI jack:

1. Connect an HDMI cable to the HDMI2/DVI INPUT jack or the HDMI1/DVI INPUT jack on the back of the TV and to the HDMI output jack on the back of the set-top box.

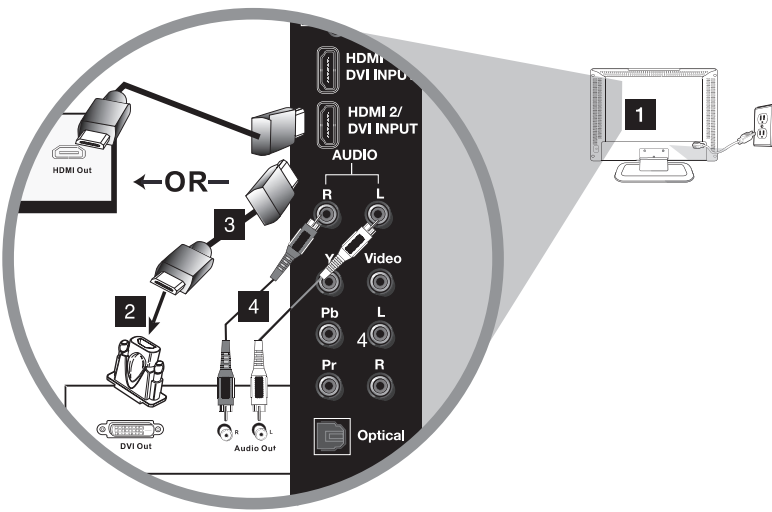
Example: Set-top box with DVI jack

To connect an HDMI cable and an HDMI/DVI adapter:

1. Connect an HDMI cable to the HDMI2/DVI INPUT jack or the HSMI1/DVI INPUT jack on the back of the TV.
2. Attach an HDMI/DVI adapter to the end of the HDMI cable; then connect the adapter to the DVI output jack on the set-top box.
3. Since you're using an HDMI/DVI adapter, you need to connect separate audio cables to the DVI AUDIO INPUT right and left jacks on the back of the TV and to the right and left audio jacks on the back of the set-top box.

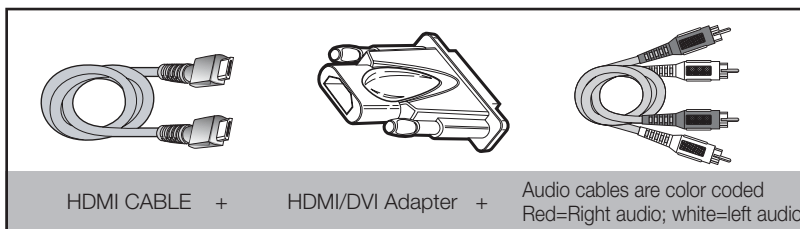
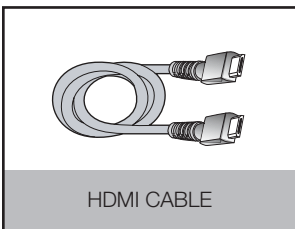
HDMI/DVI Connection (Best)

This is an example of a connection using the HDMI2/DVI jack.



Don't forget:

If necessary, connect antenna or cable to get a picture. Go to page 12 for instructions.



Connecting a PC Component

To connect a personal computer and use your TV as a monitor, follow these steps:

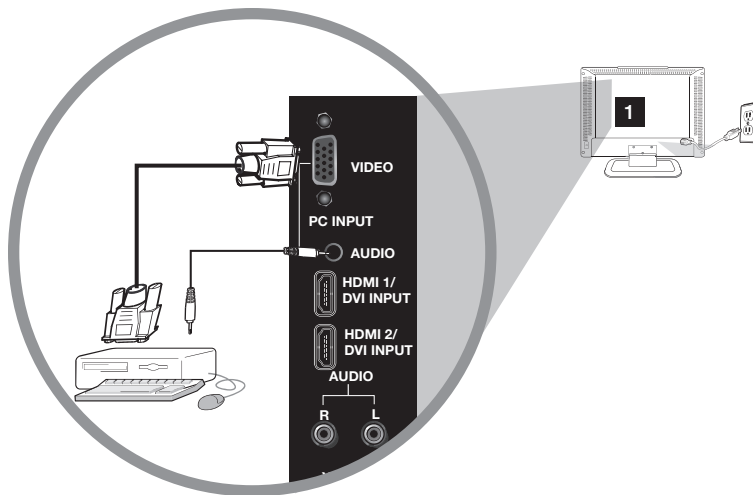
1. Connect your cable and/or off-air antenna as described on page 12.
2. Connect one end of a 15-pin monitor cable to the PC INPUT VIDEO jack on the TV and the other end to the PC's video output jack.

Note: If your PC's video output isn't 15-pin, you'll need an adapter that can connect to a 15-pin monitor cable.

3. Connect a 3.5mm stereo mini-pin audio cable (sometimes referred to as 1/8" stereo mini-pin) to the PC INPUT AUDIO jack on the back of the TV and the other end to the audio output jack on the PC.

PC Connection

This is an example of a connection using the PC INPUT VIDEO jack.



Viewing the Picture from the Connected Component

1. Plug in the TV (see page 17 for details) and the component, such as a DVD player or a VCR.
2. Turn on the TV and the component you want to view.
3. Repeatedly press the INPUT button on the remote control to select VID1 (if connected to the VIDEO INPUT 1 jacks), CMPT (if connected to the CMPT jacks) or HDMI1/DVI (if connected to the HDMI1/DVI jack) displayed at the top of the TV screen. To return to viewing TV channels, use the number buttons to enter the channel you wish to view.

Note: If the picture from the DVD player appears black and white and your component is connected to the VIDEO INPUT, you may be tuned to the wrong input. Make sure you press INPUT until you see VID1, CMPT or HDMI1 displayed at the top of the TV screen.

Note: When you have connected all additional components to your TV, go to page 18 for initial Setup Instructions.

Viewing a PC

1. Plug in the TV and the computer.
2. Turn on the TV and the computer.
3. Repeatedly press the INPUT button on the remote control until you see PC displayed at the top of the TV screen. To go back to viewing TV channels, use the number buttons to enter the channel or press CH+ or CH- buttons.

Note: When you have connected all additional components to your TV, go to page 18 for initial Setup Instructions.

Plug in the TV

Plug the end of the power cord into the back of the TV. Plug the other end into an outlet, inserting the plug completely. Do not plug the TV into an outlet controlled by a light switch.

Put Batteries in the Remote

- Remove the battery compartment cover from the back of the remote control by pushing the tab and lifting off the cover.
- Insert 2 AA batteries, making sure the polarities (+ and -) are aligned correctly.
- Replace the cover.

Turn on the TV

Turn on your TV by pressing the Power button (⏻) on the side of the TV or the ON•OFF button on the remote control.

Note: Highlighted items stand out from other menu items on the list (appear darker, brighter, or a different color).

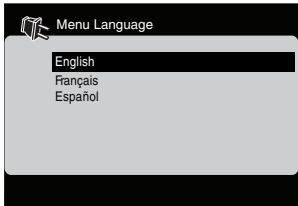
Using the Remote Control to Complete Initial Setup

You will need to use the remote control to complete the setup of your TV. The remote control allows you to navigate through and select items that appear in the on-screen menus. The process works the same on all menu screens: highlight your choice and select it.

To select a menu item, press the arrows to highlight one of the items listed on the screen. Use the up or down arrows to move up or down. Use the right or left arrows to view other selections for a menu choice or to display a sub-menu.

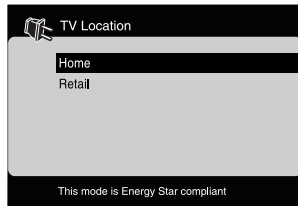
Complete the Initial Setup

The menu system in your TV allows all of the TV's features to work properly. The first time you turn on your TV, the language screen appears.



Set the Menu Language

The first step of the setup requires you to select your preferred language for the menu system. If English is your preferred language, press OK and proceed to set the TV Location Mode. To choose another language, press the down arrow until that language is highlighted, and select it by pressing the OK button.

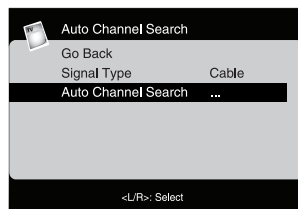


Set the TV Location Mode

After choosing the language, a menu screen asks you to set the TV Location. Choosing "Home" for the TV Location assigns the optimal picture settings for most home environments. This is also the most energy-efficient setting. Press OK to display the Channel Setup menu.

Complete Channel Setup

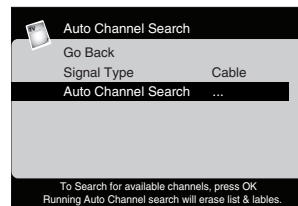
Make sure you've connected the TV to the cable or an off-air signal before you start the next part of the setup.



Set the Signal Type

From the Channel menu, select *Auto Channel Search*. Press the up or down arrow to highlight *Signal Type*. If you have connected the cable to your ANTENNA/CABLE INPUT jack, the option is chosen for you. Simply press the down arrow to continue.

To choose *Antenna*, press the right arrow and then press the down arrow to continue.



Complete the Channel Search

With *Channel Search* highlighted, press OK to begin the channel search. If you chose *Cable* as your signal type, the search takes a while because it is looking for both analog and digital channels. Then, it removes scrambled channels.

The Channel Search process includes the following steps:

1. The search first seeks analog channels and places the number of channels found next to *Analog Channels Found*.
2. The search then looks for digital channels and places the number of channels found next to *Digital Channels Found*. This number may seem high. This is because the number includes both scrambled (for example, Pay Per View) and non-scrambled channels. These channels are dependent upon what your cable company is sending.
3. The search might appear as if it is complete, but as long as the search says *Running*, it is still in progress. The TV is now removing scrambled channels from the channel list.
4. When *Auto Channel Search* is in progress, you can press the CANCEL button to cancel the search. Any channels already found will be stored.
5. When the search is complete, press CANCEL to exit the menu system.

You may find there are still some channels in your list that are unavailable to view. To delete these channels, press MENU and choose *Channel*. Highlight and select *List and Labels*.

Note: *Removing channels from your channel list may be time-consuming, so you may want to do it later. Go to page 38 for details on editing your channel list.*

What To Expect

Watching TV

Analog Channels

An “A” at the bottom of the screen denotes that you are watching an analog channel. Analog video is sent in a 4/3 format. Your TV can display these channels in a 16/9 format by pressing the FORMAT buttons to view the different formats available. Go to page 35 for more explanation of screen formats.

Watching TV

Digital Channels

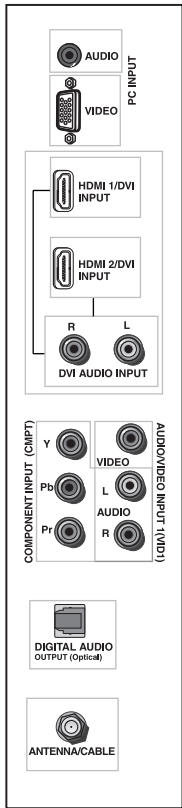
A “D” at the bottom of the screen denotes that you are watching a digital channel. Most digital video is sent in a 16/9 format, which fills the screen. However, it is sometimes sent in 4/3 format, which does not fill your screen. The format is dependent on how the station or source component is configuring the video.

Note: *If there are bars on-screen, press the FORMAT button to try a different format. This may eliminate the bars. Some bars can't be removed because of the way the format is sent by the broadcaster. Go to page 35 for more explanation of screen formats.*

Changing Channels

- Digital channels can have both primary channels (like the analog channel number) and sub-channels. To tune to a digital channel with a sub-channel, such as 10.1, enter the primary channel number (10), then press the right arrow or the “ ● ” button. Enter the sub-channel number (1) and press OK.
- Depending upon the type of signals you have connected to your HDTV, you may notice that the channels change more slowly than usual. This is perfectly normal. Digital cable channels sometimes take longer to tune.

Explanation of Jacks (in alphabetical order)



Note: If using a DVI component, remember to connect the left and right audio cables because the DVI cable carries only the picture signal, not the sound.

This section describes the jacks on the back panel of your TV/DVD. There are several ways to connect components.

ANTENNA/CABLE Lets you connect a coaxial cable to receive the signal from your antenna, cable, or cable box.

AUDIO/VIDEO INPUT 1 (VID1) Lets you connect a component that has composite video jacks, such as a VCR or DVD player.

- **L AUDIO** Provides left audio connection when using the VIDEO INPUT 1 jack. The left audio connectors are usually white. For mono audio sources, be sure to use the L AUDIO INPUT.
- **R AUDIO** Provides right audio connection when using the VIDEO INPUT 1 jack. The right audio connector is usually red.

COMPONENT INPUTS Lets you connect a component that has component video jacks, such as a DVD player.

- **CMPT Y Pb Pr (Component Video)** Provides good picture quality because the video is separated into three signals. Use three video-grade or component video cables for the connection. When using CMPT Y Pb Pr, make sure you connect left and right audio cables to the L and R AUDIO jacks.
- **L AUDIO** Provides left audio connection when using the CMPT VIDEO inputs. The left audio connector is usually white. For mono audio sources, be sure to use the L AUDIO input.
- **R AUDIO** Provides right audio connection when using the CMPT VIDEO Inputs. The right audio connector is usually red.

DIGITAL AUDIO OUTPUT (optical) Use a digital optical cable to connect your TV to a compatible audio receiver.

HDMI1/DVI and HDMI2/DVI INPUT Lets you connect a component, such as a digital cable box, with an HDMI or a DVI output for the best picture quality.

- **HDMI/DVI INPUT (High-Definition Multimedia Interface/Digital Visual Interface)** Provides an uncompressed digital connection that carries both video and audio data by way of an integrated mini-plug cable. Since HDMI technology is based on Digital Visual Interface (DVI), the jack on the back of your TV is also compatible with DVI components.
- **DVI AUDIO INPUT L (used for DVI only)** Provides left audio connection when using HDMI1 or HDMI2 jack for DVI. The left audio connector is usually white. For mono audio sources, be sure to use the L AUDIO input.
- **DVI AUDIO INPUT R (used for DVI only)** Provides right audio connection when using the HDMI1 or HDMI2 jack for DVI. The right audio connector is usually red.

PC INPUT VIDEO Connect your computer or other component with a VGA output to this jack using a 15-pin, D-sub cable.

PC INPUT AUDIO (Stereo mini jack) Use to obtain sound when a PC is connected to the PC input. Use a 3.5mm stereo mini-pin cable (sometimes referred to as 1/8" stereo mini-pin) to connect a PC to your TV/DVD.

Buttons and Other Jacks on Your TV/DVD

Side Input Jacks

Headphones Allows you to connect headphones to listen to the sound coming from the TV.

VIDEO INPUT 2 Receives video from another component such as a camcorder, video game console, VCR, or DVD player. To access a component connected to the VIDEO jack, press the INPUT button on your remote repeatedly to select VID2, displayed at the top of the screen.

AUDIO L and R Receives audio from another component such as a camcorder, video game console, VCR, or DVD player. Use when connecting to the VIDEO or S-VIDEO INPUT. For mono audio sources, be sure to use the L AUDIO input.

S-VIDEO INPUT Allows you to connect an S-Video cable from another component. Make sure you also connect audio cables from the component to the TV. To access a component connected to the S-VIDEO jack, press the INPUT button on your remote repeatedly to select S-VIDEO displayed at the top of the screen.

USB For factory service use only

Side Panel Buttons

If you cannot locate your remote, you can use the side panel buttons on your TV to operate many TV features.

 **POWER** Turns the TV on and off.

MENU/(OK) Brings up the TV Main Menu. When in the menu system, it displays sub-menus and selects highlighted items.

VOL ► Increases the volume. In the TV menu system, it acts like the right arrow on the remote control and can be used to select menu options.

VOL ◀ Decreases the volume. In the TV menu system, it acts like the left arrow on the remote control and can be used to select menu options.

CH ▲ Scans up through the channel list. In the TV menu system, it acts like the up arrow on the remote control and can be used to select menu options.

CH ▼ Scans down through the channel list. In the TV menu system, it acts like the down arrow on the remote control and can be used to select menu options.

Note: Do not connect an S-Video and a regular video cable to the side jacks at the same time.

2 Using the Remote Control

Remote Control Buttons



Remote control part number RC2254701/01

This is a multi-component remote control and many of the buttons have multiple functions.

Note: If you need to replace your remote, call 1-800-338-0376. A shipping and handling fee, and the appropriate sales tax, will be charged upon ordering. Have your Visa, MasterCard, or Discover Card ready.

TV Functions

Alphanumeric Buttons Using these buttons, enter channel numbers, time setting, and letter options.

To enter a channel, press the number buttons and press OK (or let the entry timeout).

To enter a digital channel with a sub-channel, enter the main channel; then, press the right arrow to enter the sub-channel and press OK.

Arrows (◀/▶/▲/▼) Use the four arrows to highlight different items in the TV menu and to adjust the menu controls. When viewing a channel, arrow functions are as follows:

- **Left Arrow/FORMAT** Press to change the screen format: *Normal, Zoom, Center, Stretch*. Go to page 35 for more information on screen formats.
- **Right Arrow/GUIDE** Press this button first to display the electronic program guide-EPG (when available). Press again to view the program in the schedule.
- **UP Arrow/INFO** Press the up arrow once to display the Channel Banner; press again to remove the menu.
- **Down Arrow/PRESETS** Press this button to enter the PRESET Menu. Display *Picture and Sound preset; CC Setting; Current Audio Track*.

CC Takes user directly into the Closed Caption sub-menu.

CH + or CH - Scans up or down through the current channel list. Press once to change the channel up or down; press and hold to continue changing channels.

CH LIST When you tune to a particular channel, press the CH LIST button to enter the LIST and LABELS menu directly to add/remove the channel from channel list.

CANCEL Removes any menu or display from the screen and returns to normal viewing.

DVD Places the remote in DVD Mode. The DVD button illuminates when you press a valid button in DVD Mode (see Modes of Operation on page 25 for more details).

F1-F4 Favorite channel buttons. Set a favorite channel button (F1/F2/F3/F4) to the current channel by holding the button down for two seconds. Each button can be set to a favorite channel, and you can change your selections at any time.

GO BACK Returns to the previous channel.

INPUT Accesses the available video input channels (WATCH TV, CMPT, HDMI1, HDMI2, VID1, VID2, S-VIDEO and PC). To resume TV viewing, press the number buttons to enter the channel or press the CH+ or CH- buttons.

MENU Accesses the Main Menu.

MUTE Reduces the TV volume to its minimum level. Press again to restore the volume.

OK When in the menu system, pressing the OK button selects the highlighted item.

PIC Press the PIC button to display the *Picture* sub-menus.

ON•OFF When in TV Mode, pressing the ON•OFF button turns the TV on or off. If in another programmed mode (SAT/AUX or DVD), pressing the ON•OFF button turns the component on or off.

REW, REPLAY, PLAY, NEXT, FWD, REC, STOP, PAUSE (buttons at TOP of the remote)

If programmed, these buttons provide transport control for some remote-controllable components, such as VCRs or DVD players.

ZZZ (SLEEP) Press this button to display the TIME Menu and set the *Sleep Timer*.

SAT/AUX Places the remote in SAT/AUX mode. If Autotuning is enabled, pressing this button turns on the TV and tunes it to the satellite or cable box Video Input Channel. This button illuminates when you press a valid button in SAT/AUX mode (see Modes of Operation on page 25 for more details).

TV Turns on the TV, displays current status and puts the remote in TV Mode.

V-CHIP Press to display the Parental Control sub-menu.

VOL - or VOL + Decreases or increases the TV volume.

INPUT Button

Use the INPUT button to scroll through the available video input channels and view components connected to the TV.

1. Make sure the component is turned ON.
2. Press INPUT to tune to an available video input source and view the component.
3. To return to the previous channel, press the INPUT button until you return to the channel.

OR

1. Make sure the component is turned ON.
2. Press INPUT and then use the arrow buttons to navigate up and down.
3. Press OK on the option you want.

Programming the Remote to Operate Other Components

The universal remote can be programmed to operate many brands of remote-controllable components, such as VCRs, audio components, DVD players, cable boxes, and satellite receivers. Your remote control also comes pre-programmed to control some RCA components.

Notes:

- *The TV button can't be programmed to control other components.*
- *The remote may not be compatible with all models of all brands of components. It also may not provide complete functionality.*

Determine If You Need to Program Remote

To determine whether the universal remote needs to be programmed to operate one of the components connected to your TV, such as a satellite receiver, follow these steps:

1. Turn on the component (for example, the satellite receiver).
2. Point the remote at the component.
3. Press the corresponding component button (SAT/AUX button).
4. Press ON•OFF to see if the satellite receiver responds. If it doesn't, you need to program the remote to operate it.

Programming the Remote

The CANCEL button is used as visual feedback during the programming operation. During programming, the CANCEL button illuminates when buttons are pressed and turns off when buttons are released. When programming is finished, the CANCEL button blinks slowly to indicate success and blinks rapidly to indicate failure.

Note: All component buttons are inoperable during Programming Mode.

There are three ways to program the remote control to operate other components: Direct Entry, Manual Code Search, and Automatic Code Search. You must try Direct Entry for at least one code before trying the other methods.

Using Direct Entry

1. Turn on the component you want to control.
2. On your remote control, simultaneously press and hold the ON•OFF and MUTE buttons (approximately 3 seconds) until the CANCEL button illuminates. Release the buttons.
3. Press and release the component button.
4. Enter the appropriate four-digit code for the component you want to operate. The first digit indicates the component type (0 for DVD, 1 for Satellite TV, 2 for Cable, 3 for DVR, 4 for VCR, 5 for Audio, 6 for CD); the other three digits indicate the brand and model. Look up the brand and codes for the component in the list at the end of this section. Codes are listed by component type and are arranged alphabetically.
5. The CANCEL button blinks slowly to indicate success. Repeat these steps until you've tested all codes for your component's brand, or try to run a Manual Code Search.

Using a Manual Code Search

Note: Before using Manual Code Search, use Direct Entry. This lets the remote know which type of component you are programming. Then proceed with the following steps:

1. Turn on the component you want to control.
2. On your remote control, simultaneously press and hold the ON•OFF and MUTE buttons (approximately 3 seconds) until the CANCEL button illuminates. Release the buttons.
3. Press and release the component button.
4. Repeatedly press and release the left arrow or right arrow, watching for the component to respond. If the component turns off, press and release the OK button to save the code. The CANCEL button blinks slowly to indicate success.
5. When all codes have been searched, the CANCEL button blinks rapidly to indicate failure, and the remote returns to normal operation.

Note: Use the right arrow to search ahead; use the left arrow to search back. Press the ON•OFF button to switch to Automatic Code Search Mode.

Using Automatic Code Search

1. Turn on the component you want to control.
2. On your remote control, simultaneously press and hold the ON•OFF and MUTE buttons (approximately 3 seconds) until the CANCEL button illuminates. Release the buttons.
3. Press and release the component button.
4. Press and release the ON•OFF button once. The remote starts the code search.
5. Once the component turns off, quickly press the OK button to save the code. The CANCEL button blinks slowly to indicate success.
6. When all codes have been searched, the CANCEL button blinks rapidly to indicate failure, and the remote returns to normal operation.

Note: *If you accidentally passed the code before saving it, use the left arrow to backtrack through the codes. Use the right arrow to go forward through the codes again. Once the left or right arrow has been pressed, the search mode changes to Manual Code Search.*

Using the Remote

Once the remote has been programmed successfully, it is ready to operate your components.

To operate the component:

1. Press the component button to set the remote to control the component.
2. Press ON•OFF to turn the component ON or OFF.
3. Use the remote buttons that apply to that component.

Modes of Operation

The button that corresponds to the mode the remote illuminates when you press any button that applies to the component. For example, if you're in TV Mode and you press the VOL+ button, the TV button lights up. This tells you that the command to increase the volume is being sent to the TV.

Note: *The remote control may not be compatible with all brands and models of components..*

Manual Reset

The Manual Reset is used to reset the remote settings to default.

Note: *The reset can also be accomplished by replacing the batteries; however replacing the batteries does not always cause a reset. You can perform a manual reset by following these steps:*

1. On your remote control, simultaneously press the V-Chip, ON•OFF and MUTE buttons.
2. The CANCEL button will blink slowly to indicate success, and the remote control returns to normal operation.

Remote Code list

| Audio Codes | |
|---|-------------------------|
| Accuphase..... | 032 |
| Accurus..... | 033 |
| ADC..... | 074 |
| Adcom..... | 056 |
| Admiral..... | 150 |
| ADS..... | 151 |
| Alwa..... | 014 072 073 109 214 225 |
| 279 287 335 369 | |
| Akai..... | 142 |
| Alco..... | 093 |
| Alpine..... | 152 |
| Altec Lansing..... | 140 |
| Amphion Media Works..... | 104 107 |
| Amplifier Technologies..... | 118 |
| AMW..... | 104 107 |
| Anam..... | 080 148 |
| Angstrom..... | 034 |
| Apex..... | 403 407 095 |
| Aragon..... | 033 |
| Arcam..... | 131 |
| Atlantic technology..... | 120 |
| Audio Research..... | 154 |
| Audio Source..... | 035 |
| AudioPhase..... | 388 |
| Audiotronic..... | 061 |
| Audiovox..... | 093 399 417 |
| B & K..... | 155 |
| Bang & Olufsen..... | 353 |
| Bel Canto Design..... | 036 |
| Blamp..... | 037 |
| BOSE..... | 010 075 082 117 371 384 |
| Boston Acoustics..... | 121 |
| Brix..... | 146 |
| California Audio Lab..... | 028 |
| CambridgeSoundWorks..... | 418 |
| Cpetronic..... | 074 |
| Carver..... | 061 073 |
| Cary Audio Design..... | 031 |
| Casio..... | 125 |
| CCE..... | 177 |
| Chase Technologies..... | 029 |
| Cinema Sound..... | 038 |
| Clarinette..... | 125 |
| Clarion..... | 156 |
| Classe..... | 039 |
| Classic..... | 411 |
| Coby..... | 018 |
| Counterpoint..... | 157 |
| Creative..... | 129 |
| Criterion..... | 136 |
| Curtis..... | 409 |
| Cary Audio Design..... | 031 |
| Curtis..... | 409 |
| Curtis Mathes..... | 022 |
| Daewoo..... | 132 |
| Dell..... | 134 |
| Delphi..... | 158 |
| Denon..... | 009 058 090 205 220 226 |
| 227 242 259 263 267 282 286 304 305 309 | |
| 310 311 312 315 341 344 345 368 413 | |
| Digital Audio Control..... | 030 |
| Durabrand..... | 040 434 |
| EAD..... | 159 |
| Eclipse..... | 209 |
| Elan..... | 041 |
| ESA..... | 160 |
| Fisher..... | 114 |
| Fosgate..... | 042 |
| Garrard..... | 128 |
| Gateway..... | 145 |
| GE..... | 020 |
| Glory Horse..... | 133 |
| Go Video..... | 144 |
| GPX..... | 404 421 |
| Gradiente..... | 389 |
| Halfer..... | 161 |
| Harman/Kardon..... | 013 026 073 |
| 078 088 264 319 397 | |
| Hitachi..... | 114 |
| Honyas..... | 162 |
| iLive..... | 429 |
| Initial..... | 137 |
| Inkel..... | 122 |
| Insignia..... | 337 338 416 |
| Integra..... | 055 |
| Jamo..... | 275 |
| JBL..... | 051 088 397 |
| Jensen..... | 163 |
| Jerrold..... | 391 |
| JVC..... | 004 023 092 097 201 231 |
| 249 261 272 273 300 303 307 318 355 359 | |
| 360 366 373 376 377 408 | |

| | |
|---|---------------------------------|
| Kenwood..... | 005 089 105 106 185 |
| 186 188 189 198 200 219 223 232 237 240 | |
| 251 255 296 308 320 331 370 380 | |
| KLH..... | 093 094 |
| Knoll System..... | 043 |
| Koss..... | 091 394 |
| Krell..... | 326 |
| Lasonic..... | 149 |
| Left Coast..... | 026 |
| Lenoxx..... | 138 |
| Lexion..... | 130 |
| LG..... | 406 432 |
| Linn..... | 073 |
| Liquid Video..... | 141 |
| Lloyds..... | 125 |
| Logitech..... | 044 |
| Luxman..... | 045 |
| LXI..... | 124 |
| Magnadyne..... | 164 |
| Magnavox..... | 016 061 073 |
| 074 100 401 | |
| Marantz..... | 026 061 073 329 340 |
| Mark Levinson..... | 046 |
| McIntosh..... | 047 |
| MCS..... | 126 |
| Memorex..... | 165 |
| Midland..... | 048 |
| Mitsubishi..... | 290 313 |
| Modulaire..... | 125 |
| Motorola..... | 139 |
| NAD..... | 066 |
| Nakamichi..... | 065 067 070 |
| NEC..... | 027 |
| Neo..... | 158 |
| Nexstech..... | 119 |
| Niro..... | 166 |
| Norcent..... | 135 |
| Nova..... | 167 |
| Omnifi..... | 147 |
| Onkyo..... | 006 055 057 |
| 069 077 101 190 194 203 210 213 233 252 | |
| 260 265 266 269 270 271 274 278 291 292 | |
| 306 323 324 348 350 398 | |
| Optimus..... | 022 074 076 079 080 |
| Oritron..... | 091 |
| Panasonic..... | 002 087 102 108 112 |
| 113 153 229 289 301 316 354 357 364 375 | |
| 385 386 390 395 396 422 423 424 425 426 | |
| 427 433 | |
| Parasound..... | 062 |
| Penny..... | 125 |
| Philco..... | 168 |
| Philips..... | 012 026 061 |
| 073 085 349 362 379 412 | |
| philips Magnavox..... | 435 |
| Pioneer..... | 003 022 052 071 074 |
| 079 183 184 192 193 195 212 221 222 224 | |
| 238 239 241 353 314 330 336 342 343 346 | |
| 352 383 | |
| Polaroid..... | 436 |
| Polk Audio..... | 026 073 328 |
| Proscan..... | 083 |
| Pyle..... | 169 |
| Radio Shack..... | 133 434 |
| RCA..... | 007 022 074 079 080 083 |
| 093 099 363 367 372 380 393 434 | |
| RCA & Dimensia..... | 437 |
| Realistic..... | 125 |
| Regent..... | 138 |
| Rio..... | 116 |
| Rotel..... | 334 |
| Saba..... | 143 |
| Samsung..... | 011 068 098 |
| 332 428 431 | |
| Sansui..... | 073 |
| Sanyo..... | 096 114 414 |
| Schneider..... | 170 |
| Scientific Atlanta..... | 127 |
| Scott..... | 123 |
| Sharp..... | 015 361 378 419 |
| Sharp Image..... | 133 |
| Sherwood..... | 297 339 420 |
| Shinsonic..... | 171 |
| shure..... | 027 |
| Skyfi..... | 158 |
| Sonic Blue..... | 116 |
| Sony..... | 000 025 050 084 103 110 111 115 |
| 178 179 180 181 182 187 197 207 215 216 | |
| 217 218 230 235 276 277 293 294 295 325 | |
| 356 358 365 374 382 387 392 400 430 | |
| Soundesign..... | 020 076 |
| Soundmatters..... | 063 |

| | |
|---|-------------------------|
| SoundStream..... | 049 |
| Starcom..... | 391 |
| Stereophonics..... | 079 |
| STS..... | 172 |
| Sunfire..... | 089 |
| Sylvania..... | 327 |
| Symphonic..... | 150 |
| TAG McLaren..... | 173 |
| Tao..... | 158 |
| Teac..... | 080 093 |
| Technics..... | 008 204 208 |
| 211 228 280 281 283 299 | |
| Techwood..... | 174 |
| Thomson..... | 175 |
| Thorens..... | 061 |
| Toshiba..... | 410 |
| Vector Research..... | 176 |
| Venturer..... | 093 415 |
| Victor..... | 023 |
| Wards..... | 020 071 073 346 |
| XM Radio..... | 158 |
| Yamaha..... | 001 021 024 053 054 055 |
| 059 060 064 081 086 191 196 199 206 234 | |
| 236 243 244 245 246 247 262 268 284 285 | |
| 288 302 317 321 347 351 402 405 | |
| Yorx..... | 125 |
| Zenith..... | 019 333 406 |

| Cable Codes | |
|-------------------------------------|-------------------------|
| ABC..... | 008 009 022 026 032 034 |
| 040 041 042 081 085 | |
| Adelphia..... | 005 025 |
| Americast..... | 092 |
| Antronix..... | 045 046 |
| Archer..... | 046 047 |
| AT & T..... | 002 |
| Bell South..... | 092 |
| Cable Vision..... | 004 102 |
| Cabletenna..... | 045 |
| Cableview..... | 044 |
| Citizen..... | 051 |
| Clearmaste..... | 091 |
| ClearMax..... | 091 |
| Colour Voice..... | 049 050 |
| Comcast..... | 000 001 039 |
| Comtronics..... | 035 051 |
| Contec..... | 026 031 053 |
| Coolmax..... | 091 |
| COX..... | 001 |
| Director..... | 001 089 |
| Eastern..... | 054 |
| Everquest..... | 035 086 |
| Focus..... | 088 |
| GC Electronics..... | 046 051 |
| GE..... | 040 041 |
| Gemini..... | 055 056 086 |
| General Instrument..... | 000 001 041 083 |
| 089 101 | |
| Goldstar..... | 035 036 |
| Hamlin..... | 057 058 059 065 071 |
| 074 082 095 096 | |
| Hitachi..... | 041 |
| illico..... | 102 |
| Jasco..... | 086 |
| Jerrold..... | 001 041 055 060 |
| 061 075 081 083 086 087 089 101 | |
| Magnavox..... | 062 |
| Memorex..... | 063 085 |
| Monarch..... | 051 |
| Motorola..... | 001 002 018 039 087 |
| 089 094 101 103 | |
| Movie Time..... | 051 064 |
| Multi Canal..... | 051 |
| Multitech..... | 091 |
| NEC..... | 043 |
| NET Brazil..... | 006 |
| Novavision..... | 027 |
| NSC..... | 064 |
| Oak..... | 053 066 |
| Pace..... | 007 008 009 010 011 |
| 012 013 014 015 016 017 022 024 025 | |
| Panasonic..... | 077 080 085 |
| Paragon..... | 085 |
| Philips..... | 048 049 050 052 056 |
| 062 067 068 069 098 099 | |
| Philips Magnavox..... | 056 098 |
| Pioneer..... | 007 019 024 |
| 025 036 037 070 084 090 102 | |
| Popular Mechanics..... | 088 |
| Proscan..... | 040 041 |
| Pulsa..... | 051 085 |
| Quasar..... | 085 |

Radio Shack.....086 091
 RCA.....044 076 078 080 083
 Realistic.....046
 Recoton.....088
 Regal.....059 071 082 096 097
 Regency.....054
 Rembrandt.....041
 Rogers.....102
 Runco.....085
 Samsung.....035 036 037 038 051
 Scientific Atlanta.....002 005 007 008 009 019
 020 022 023 024 025 026 027 028 029 030
 031 032 033 034 102
 Signal.....035 051 055 086
 Signature.....041
 SL Marx.....035
 Sony.....004 093
 Sprucer.....080
 Standard Component.....072 073
 Starcom.....055 081 086
 Stargate.....035 051 055 086
 Starquest.....055 086
 Supercable.....087 104
 Supermax.....091
 TeleView.....035 051
 TIME WARNER.....003 102
 Timeless.....035
 Tocom.....042 060
 Toshiba.....085
 Tristar.....091
 Tusa.....055 086
 TV86.....064
 U.S.Electronics.....026
 Unika.....045 046
 United Cable.....081
 Universal.....045 046 047
 V2.....091
 Verizon.....105
 Videotron.....102
 View Star.....053 062 064
 Vision.....091
 Vortex View.....091
 Zenith.....079 085 092 100
 Zentek.....088

CD Codes

Aiwa.....009
 BOSE.....011
 Denon.....007 019
 Harman/Kardon.....004
 JVC.....001 013 025 026
 Kenwood.....010 014
 Marantz.....015
 Onkyo.....006 016
 Panasonic.....000 017 023 029
 Philips.....003 032
 Pioneer.....005
 RCA.....028
 Sanyo.....022
 Sharp.....002
 Sherwood.....020
 Sony.....012 024 027 030 031
 Teac.....021
 Technics.....008
 Yamaha.....018

DVD

Accelle Vision.....177
 Accurian.....353
 Advent.....029
 Aiwa.....017 232
 Akai.....022 236
 Alco.....027
 Allegro.....059
 Alpine.....220
 Amphion MediaWorks.....014 033
 AMW.....014 033
 Anaba.....067
 Anam.....068
 Apex.....005 045 046 126 136 164 166 176
 188 242 243 244 324 390 457 461
 Apple.....426
 Arrgo.....050
 Aspire.....032
 Astar.....351
 Audiologic.....069
 Audiovox.....004 011 027 224 454 471 475
 Axion.....070
 B & K.....071
 Bang & Olufsen.....048
 Bel Canto Design.....072
 Blaupunkt.....046 153
 Blue Parade.....043
 BOSE.....245 430 441
 Boss Audio System.....073 444
 Broksonic.....022 233 372 406
 California Audio Labs.....024
 CambridgeSoundWorks.....474
 CAVS.....074

CineVision.....049 113 414
 Clarion.....246
 Classic.....216 247 463
 Coby.....012 030 031 157 192 206 451
 Criterion.....075
 Curtis.....451
 Curtis Mathes.....060
 CyberHome.....006 050
 Cytron.....491
 Daewoo.....141 234 271 419
 Denon.....004 024 116
 165 175 195 296 467
 DiamondVision.....289
 Disney.....010 140
 Dual.....076
 Duarabrand.....027 051 054 113 259
 DVD2000.....040
 Eclipse.....301
 Elta.....084
 Eltax.....064
 Emerson.....010 023 052 248 391
 395 465
 Enterprise.....056
 ESA.....052 235
 Fahrenheit.....077
 Fisher.....249 280
 Flex Vision.....078
 Fun TV.....079
 Funai.....010 052 340 379 391
 Gateway.....323
 GE.....041 046 125 167 205 250
 Go Video.....003 187 226 227 323 402 404
 413 418 420 421
 Goldstar.....425
 GPX.....251 278 451 458
 Gradiente.....024 274
 Greenhill.....046
 Grundig.....042
 Harman/Kardon.....199 210
 Hitachi.....003 144
 200 217 299 376 417
 Hiteker.....045
 Honda.....080
 Honiyas.....081
 iLive.....484
 iLo.....053
 Ingelen.....105
 Initial.....046
 Insignia.....013 052 113 375 470
 Integra.....025 043 057 062
 Irradio.....346
 Jamo.....082
 Jaton.....083
 JBL.....452
 Jenken.....106
 Jensen.....031
 JMB.....107
 JVC.....007 044 142 143
 207 212 219 269 281 317 318 319 321 364
 365 366 367 397 398 399 400 403 409
 Jwin.....084
 Karcher.....108
 Kawasaki.....027
 Kendo.....109
 Kenwood.....004 024 116 198 204 214 230
 231 252
 KLH.....027 046 147
 Konka.....018 019
 Koss.....015 026 035 448
 Lasonic.....253
 Landel.....222
 Lenoxx.....034 051 054
 Lexia.....110
 Lexicon.....085
 LG.....013 284 331 333 352 369
 370 373 460 486 488
 Lifetec.....111
 Limit.....110
 Liquid Video.....035
 Liteon.....323 332 348 353
 Loewe.....086
 Logiclub.....104
 Logix.....112
 Luxman.....113
 Luxor.....109
 Magnavox.....010 023 039 042 052 150
 156 185 326 356 380 388 437 456
 Malata.....087
 Marantz.....042 156 275
 Memorex.....010 022 140 254
 Microsoft.....041
 Mintek.....046 255
 Mitsubishi.....016 038 040 161 194
 Momitsu.....088
 Mustek.....458
 NAD.....248 256
 Nakamichi.....257
 Nesa.....046
 Next Base.....058

Nexxtech.....055 276
 Niro.....089
 Nissoho Iwai.....079
 Norcent.....030 222 237 258 279
 Onkyo.....025 039 159
 190 225 453
 Oppo.....047
 Optiview.....067
 Oritron.....026 035 260
 Orion.....022
 Panasonic.....004 024 039 116 117 127 149
 152 172 173 178 208 265 266 267 290 291
 292 299 300 312 336 341 371 383 385 386
 387 407 431 432 434 436 438 443 449 450
 476 477 478 479 480 489 490
 Philco.....065
 Phillips.....002 010 039 042 150 156 162 196
 209 294 305 334 337 342 391 437 448
 philips Magnavox.....162 209 337
 Pioneer.....009 036 043 134
 146 160 170 181 193 201 203 238 282 295
 313 314 315 339 377 429
 Polaroid.....014 390 423
 Polk Audio.....042
 Portland.....090
 Presidian.....010 391
 Prima.....091
 Princeton.....092
 Proceed.....045
 Proscan.....041 125 184
 Provision.....093
 Pye.....356
 Qwestar.....026 239 260
 RCA.....000 008 027 041
 043 046 125 130 179 184 191 197 228 288
 338 389 401 411 422 447
 regent.....034
 Rio.....066
 Rotel.....044
 Rowa.....028
 Saba.....094
 Sampo.....261
 Samsung.....003 024 120 124 139 145 148
 183 189 285 293 322 325 330 336 355 357
 368 384 396 405 412 415 439 445 472 481
 485 487
 Sansui.....022 233 378
 Sanyo.....022 280 347 424 468
 Sensory Science.....323
 SEG.....014
 Sharp.....010 128 137 320
 343 344 374 379 410 473
 Sharper Image.....095
 Sherwood.....262 474
 Shinco.....166 240
 Shinsonic.....037
 Sigma Designs.....092
 Sonic Blue.....059 061 063 066
 Sony.....001 020 037 115 118 121
 122 123 131 133 135 154 155 158 163 168
 223 229 268 283 306 307 308 335 354 358
 360 362 381 392 394 427 428 433 435 440
 442 446 455 464 466 482 483
 Sungale.....270
 Superscan.....023
 SVA.....096
 Sylvania.....010 023 052
 340 391 395 416
 Symphonic.....010 391
 Teac.....027 224
 Technics.....004 024
 Technosonic.....097
 Techwood.....241 263
 Terapin.....098
 Theta Digital.....043
 Tivo.....099
 Toshiba.....002 021 022 039 119 129
 132 138 171 180 182 286 297 302 303 304
 309 310 311 316 327 328 329 359 363 382
 393 408 462
 Tredex.....100
 Trutech.....273
 TView.....067
 Urban Concepts.....039
 US Logic.....224
 Venturer.....027 469
 Vizio.....101
 Vocopro.....102
 Westinghouse.....492
 Xbox.....041
 Xwave.....103
 Yamaha.....024 042 116 150 169 174
 196 202 211 215 218 277 345 459
 Zenith.....013 039 113 151 186 213 227 264
 298 349 350 369 425 460
 WHITE WESTINGHOUSE.....492

DVD/VCR Combo Codes

Where the code is listed as [### ##] the first is for the DVD and the second is for the VCR. Otherwise just the one code operates both the DVD and the VCR. Remember to add the code for the database device type 0 for DVD, 4 for VCR, [0### 4###].

| | | | |
|----------------|-----------|-----------|-------------------------------|
| Broksonic | [406 088] | [372 062] | [022 072] |
| Hitachi | [376 013] | [417 103] | |
| Insignia | [375 016] | [013 047] | |
| JVC | [366 054] | [367 055] | [364 052] [365 053] |
| | [319 059] | [403 094] | [317 056] [318 058] |
| | [399 081] | [400 082] | [397 079] [398 080] |
| | [317 056] | [318 058] | [403 085] [409 095] |
| LG | [013 047] | [331 060] | [370 060] [369 016] [373 060] |
| Pioneer | | | [377 064] |
| Sansui | | [378 065] | [022 072] |
| Sharp | | [374 124] | [379 125] |
| Toshiba | [363 051] | [382 067] | [119 091] |
| Zenith | [119 096] | [393 076] | [408 092] [393 115] |
| Apex | [369 016] | [151 116] | [227 099] |
| CineVision | [113 101] | | [390 074] |
| Daewoo | | | [414 117] |
| Durabrand | | | [419 107] |
| Emerson | [395 010] | | [113 117] |
| Funai | | | [395 103] |
| Go Video | [227 100] | [402 084] | [379 125] |
| Goldstar | [413 087] | [418 106] | [420 108] [421 109] |
| Magnavox | [156 009] | [380 126] | [404 086] |
| Memorex | | | [425 114] |
| Panasonic | [383 061] | [385 068] | [388 071] [022 072] |
| Philips | [407 089] | [407 105] | [371 061] [386 069] |
| Polaroid | | [156 009] | [391 075] |
| Presidian | | [390 074] | [423 112] |
| RCA | | | [391 075] |
| Samsung | [411 097] | [422 110] | [389 073] [401 083] |
| Sanyo | | | [368 005] [384 070] |
| Sony | [396 078] | [405 087] | [412 098] [415 087] |
| Sylvania | [381 066] | [392 093] | [394 093] [394 077] |
| Symphonic | [416 103] | | [391 075] [395 102] |
| Diamond Vision | | | [391 075] |
| AKAI | | | [289 126] |
| Superscan | | | [236 127] |
| | | | [023 128] |

DVR Codes

| | |
|---------------------------------|-------------------------|
| ABS | 020 |
| Alienware | 020 |
| AT&T | 030 |
| Bang & Olufsen | 023 |
| Cyberpower | 020 |
| Dell | 020 |
| DIRECTV | 002 007 008 010 |
| 011 012 015 019 021 024 026 027 | |
| Dish Network | 017 018 |
| Dishpro | 017 |
| Echostar | 017 018 |
| Expressvu | 017 |
| Gateway | 020 |
| GOI | 017 |
| Hewlett Packard | 020 |
| HNS | 009 |
| Howard Computers | 020 |
| HP | 020 |
| HTS | 017 |
| Hughes | 001 010 011 012 015 |
| Hughes Network System | 001 010 011 012 |
| 015 024 026 027 | |
| Humax | 015 |
| Hush | 020 |
| iBUYPOWER | 020 |
| JVC | 001 017 018 |
| Linksys | 020 |
| Media Center PC | 020 |
| Microsoft | 020 |
| Mind | 020 |
| Niveus Media | 020 |
| Northgate | 020 |
| Panasonic | 005 022 030 |
| Philips | 001 009 012 015 |
| 024 025 | |
| Pioneer | 031 |
| Proscan | 019 |
| RCA | 001 002 009 016 019 021 |
| ReplayTV | 004 022 030 |
| Samsung | 009 024 |

| | |
|-----------------------------|-------------------------|
| Sonic Blue | 004 022 030 |
| Sony | 000 013 014 020 |
| Stack 9 \ Philips | 001 009 012 015 024 025 |
| Pioneer | 031 |
| Proscan | 019 |
| RCA | 001 002 009 016 019 021 |
| ReplayTV | 004 022 030 |
| Samsung | 009 024 |
| Sonic Blue | 004 022 030 |
| Sony | 000 013 014 020 |
| Stack 9 | 020 |
| Systemax | 020 |
| Tagar Systems | 020 |
| Tivo | 000 001 002 003 010 |
| 013 014 015 025 026 027 028 | |
| Toshiba | 006 020 |
| Touch | 020 |
| UltimateTV | 021 |
| Viewsonic | 020 |
| Voodoo | 020 |
| ZT Group | 020 |

Home Theatre in a Box

Where the code is listed as [### ##] the first is for the DVD and the second is for the AUDIO. Other-wise just the one code operates both the DVD and the AUDIO. Remember to add the code for the data-base device Type, 0 for DVD, 5 for Audio [0### 5###].

| | | |
|---------------------|-----------|---------------------|
| Apex | [457 403] | [461 407] |
| Audiovox | [471 417] | [475 399] |
| [454 399] | | |
| BOSE | [430 384] | [441 010] |
| CambridgeSoundWorks | | [474 418] |
| Classic | | [463 411] |
| Coby | | [451 018] |
| Curtis | | [451 409] |
| Denon | | [467 413] |
| Emerson | | [465 017] |
| GPX | [451 421] | [458 404] |
| iLive | | [484 429] |
| Insignia | | [470 416] |
| Jamo | | [082 275] |
| JBL | | [452 397] |
| Koss | | [448 394] |
| LG | [284 432] | [460 406] [486 406] |
| Magnavox | | [437 016] [456 401] |
| Onkyo | | [453 398] |
| Panasonic | | [431 385] [432 390] |
| 434 386 | [436 385] | [438 385] |
| 450 396 | [476 422] | [477 423] |
| 479 426 | [480 427] | [489 433] |
| 438 424 | | [490 434] |
| Philips | [437 016] | [448 412] |
| Pioneer | | [429 383] |
| RCA | | [447 393] |
| Samsung | [439 011] | [445 011] |
| [481 332] | [485 431] | [487 431] [481 428] |
| Sanyo | | [468 414] |
| Sharp | | [473 419] |
| Sherwood | | [474 420] |
| Sony | [427 382] | [433 430] [435 387] |
| [440 430] | [442 387] | [446 430] |
| [464 387] | [466 430] | [482 430] |
| [433 392] | | [483 430] |
| Toshiba | | [462 410] |
| Venturer | | [469 415] |
| Yamaha | | [459 405] |
| Zenith | [460 406] | [425 019] |
| Durabrand | | [259 434] |
| JVC | | [143 408] |

Satellite TV Codes

| | |
|---|---------------------------------|
| Alphastar | 051 |
| Amstrad | 100 |
| Chaparral | 045 |
| DIRECTV | 001 006 007 008 009 010 013 |
| 014 015 031 032 034 036 039 043 044 054 | |
| 055 057 058 059 062 063 064 066 067 068 | |
| 069 074 078 079 080 081 084 086 087 | |
| Dish Network | 002 004 017 018 019 |
| 020 021 022 023 024 025 026 027 028 029 | |
| 030 033 035 037 041 061 083 | |
| Dishpro | 035 037 061 |
| Drake | 046 |
| Echostar | 002 004 033 035 037 061 071 083 |
| Expressvu | 037 061 07 |
| BELL EXPRESSVU | 071 |
| FORTEC STAR | 101 |
| GE | 063 087 |
| General Instrument | 047 048 056 |
| GOI | 061 |
| Grundig | 100 |
| Hisense | 060 |
| Hitachi | 009 |
| HTS | 061 |
| Hughes Network Systems | 003 006 |
| 008 015 031 043 057 064 073 | |
| Humax | 090 |

| | |
|---|-----------------------------|
| iLo | 060 |
| Jerrold | 056 |
| JVC | 002 004 033 052 061 083 |
| LG | 011 059 |
| Magnavox | 014 |
| Memorex | 014 |
| Mitsubishi | 006 008 064 093 |
| Motorola | 038 056 065 |
| Next Level | 056 |
| Pace | 100 |
| Panasonic | 010 062 086 092 096 100 |
| Pansat | 088 |
| Paysat | 014 |
| Philips | 001 003 009 014 015 031 |
| 054 055 057 064 081 | |
| Philips Magnavox | 009 054 055 |
| Pioneer | 015 |
| Primestar | 050 |
| Proscan | 013 036 063 095 |
| Proton | 060 |
| Radio Shack | 056 |
| RCA | 000 003 013 034 040 |
| 044 058 063 075 076 077 078 080 082 091 | |
| 094 095 097 | |
| Realistic | 049 |
| Samsung | 003 007 015 057 070 085 098 |
| Sharp | 016 |
| SKY NETWORK | 100 |
| Sony | 005 032 042 066 074 079 084 |
| Star Choice | 038 056 072 |
| STS | 053 |
| Sylvania | 099 |
| Tivo | 003 015 057 |
| Toshiba | 006 008 009 064 |
| UltimateTV | 058 |
| Uniden | 014 |
| US Digital | 060 |
| USDTV | 060 |
| Viewsat | 089 |
| Voom | 056 |
| Zenith | 012 067 |

VCR Codes

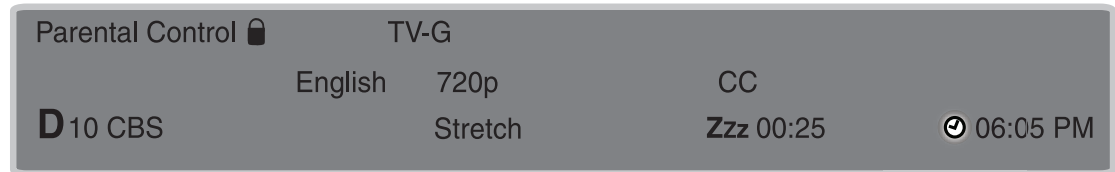
| | |
|-------------------------|-----------------------------|
| ABS | 038 |
| Adventura | 010 028 125 |
| ADMIRAL | 097 |
| Aiwa | 010 028 035 125 |
| Aiko | 107 |
| Akai | 017 018 033 127 |
| Alienware | 038 |
| American High | 025 |
| Apex | 074 |
| Asha | 021 |
| Audio Dynamics | 019 |
| Audiovox | 022 035 121 |
| Bang & Olufsen | 037 |
| Beaumarck | 021 |
| Bell & Howell | 020 |
| Broksonic | 027 062 072 088 |
| Calix | 022 035 |
| Candle | 021 022 023 024 |
| Canon | 015 025 |
| CARVER | 104 |
| CCE | 107 |
| CineVision | 101 117 |
| Citizen | 021 022 023 024 035 |
| Colortyme | 019 |
| COLT | 046 |
| Craig | 021 022 026 035 |
| Curtis Mathes | 012 015 019 021 024 025 |
| Cybernex | 021 |
| CyberPower | 038 |
| Cyberpower | 038 |
| Daewoo | 011 023 027 028 107 |
| Davidson | 010 125 |
| DBX | 019 |
| Dell | 038 |
| Denon | 030 |
| DiamondVision | 126 |
| Dimensia | 012 |
| Durabrand | 017 117 |
| Dynatech | 010 028 125 |
| Electrohome | 022 035 |
| Electrohome | 022 035 |
| Emerson | 010 017 022 023 025 |
| 027 028 035 075 103 125 | |
| Emerex | 001 |
| ESA | 047 |
| Fisher | 020 026 045 |
| Fuji | 018 025 |
| Funai | 010 028 036 075 125 |
| Garrard | 010 028 125 |
| Gateway | 038 |
| GE | 012 015 021 025 |
| Go Video | 084 086 087 100 106 108 109 |
| Goldstar | 019 022 024 035 114 |
| Gradiente | 010 028 125 |
| Harley Davidson | 022 035 |
| Harman/Kardon | 019 |

| | | | |
|-------------------------------------|---------------------------------|--|---------------------------------|
| HARWOOD | 046 | SIGNATURE | 110 |
| Headquater | 020 | Sony | 001 010 018 031 038 |
| Hewlett Packard | 038 | 040 048 049 050 066 077 090 093 123 125 | |
| Hi-Q | 026 | Stack | 038 |
| Hitachi | 010 013 030 033 103 125 | Stack 9 | 038 |
| Howard Computers | 038 | STS | 025 |
| HP | 038 | Superscan | 128 |
| Hush | 038 | Sylvania 010 015 025 028 075 102 103 125 | |
| Hughes Network Systems | 030 | Symphonic | 010 028 036 075 125 |
| iBUYPOWER | 038 | Systemax | 038 |
| Insignia | 016 047 117 | Tagar Systems | 038 |
| Instant Replay | 025 | Tandy | 020 |
| JC Penney | 015 019 020 021 022 025 0230 | Tashiko | 022 |
| JCL | 025 | Tatung | 033 |
| Jesen | 030 033 | Teac | 010 028 033 125 |
| JVC | 004 019 020 024 033 | Technics | 025 |
| 041 052 053 054 055 056 057 058 059 | | Teknika | 010 022 025 028 035 125 |
| 079 080 081 082 085 094 095 | | Thomas | 010 125 |
| KEC | 035 | TMK | 021 |
| Kenwood | 019 020 024 033 | Toshiba | 002 023 030 038 051 |
| Kodak | 022 025 035 | 067 076 091 092 096 115 | |
| KLH | 046 | Totevision | 021 022 035 |
| LG | 016 022 047 060 | Touch | 038 |
| Linksys | 038 | Unitech | 021 |
| Lloyd's | 010 028 125 | Vector Research | 019 023 |
| LOGIK | 046 | Vector | 002 |
| LXI | 022 035 | Video Concepts | 019 023 |
| magnavox | 006 007 010 015 025 032 071 | Videomagic | 035 |
| 104 125 | | Videosonic | 021 |
| Magnin | 022 | Viewsonic | 038 |
| magnasonic | 010 | Villain | 010 125 |
| Marantz | 019 020 024 025 | Voodoo | 038 |
| Marta | 022 035 | Wards | 010 021 022 023 0250 |
| Matsushita | 025 | 26 028 030 125 | |
| Media Center PC | 038 | White Westinghouse | 036 |
| MEI | 025 | Westinghouse | 046 |
| Memorex | 007 010 014 020 021 | XR-100 | 010 025 028 125 |
| 022 025 026 028 032 035 046 072 125 | | Yamaha | 019 020 024 033 |
| MGN Technology | 021 | Zenith | 007 010 016 018 032 034 099 116 |
| MGA | 008 | 117 120 122 125 | |
| Microsoft | 038 | ZT Group | 038 |
| Midland | 029 | | |
| Mind | 038 | | |
| Minolta | 030 | | |
| Mitsubishi | 008 030 | | |
| Motorola | 025 | | |
| MONTGOMERY WARD | 097 | | |
| MTC | 010 021 125 | | |
| Multitech | 010 021 028 029 125 | | |
| NEC | 019 020 024 033 | | |
| Nikko | 022 035 | | |
| Niveus Media | 038 | | |
| Noblex | 021 | | |
| Northgate | 038 | | |
| Olympus | 025 | | |
| Orion | 014 | | |
| Panasonic | 000 015 025 039 061 068 069 | | |
| 089 105 118 119 | | | |
| Penney | 035 | | |
| Pentax | 030 | | |
| Pentax Research | 024 | | |
| Philco | 015 025 | | |
| Philips | 009 025 075 104 | | |
| Philips Magnavox | 104 | | |
| Pilot | 022 035 | | |
| Pioneer | 030 064 | | |
| Polaroid | 074 112 | | |
| Polk Audio | 104 | | |
| Presidian | 075 | | |
| Proscan | 012 043 044 | | |
| PROTEC | 046 | | |
| PROFITRONIC | 021 | | |
| Pulsar | 007 032 | | |
| Quarter | 020 | | |
| Quartz | 020 | | |
| Quasar | 015 025 | | |
| Radio Shack | 010 022 125 | | |
| Radio Shack/Realistic | 015 020 021 022025 | | |
| 026 028 | | | |
| Radix | 022 035 | | |
| Randex | 022 035 | | |
| RCA | 003 012 017 021 025 | | |
| 030 042 073 083 097 110 | | | |
| Realistic | 010 015 020 021 022 023 025026 | | |
| 028 035 125 | | | |
| Ricavision | 038 | | |
| Ricoh | 034 | | |
| Runco | 007 032 | | |
| Samsung | 005 021 023 029 070 078 087 | | |
| 098 | | | |
| Sanky | 007 032 | | |
| Sunsui | 010 014 033 065 072 125 | | |
| Sanyo | 020 021 026 045 113 | | |
| Scott | 023 027 | | |
| Sears | 010 020 022 025 026 030 035 125 | | |
| Sharp | 010 063 111 124 125 | | |
| Shintom | 018 | | |
| Shogun | 021 | | |
| Singer | 025 034 | | |

3 Using TV Features

Channel Banner

There are several indicators that may appear when you press the INFO button on the remote control. This display is called the Channel Banner. The following list describes the items on the Channel Banner screen (left to right and top to bottom).



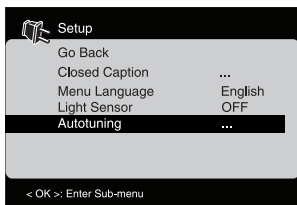
- Parental Control** The Parental Control state (locked or unlocked) of the current program.
- TV-G** Rating information of the current program.
- Stereo** If the current channel is analog, "Stereo" appears when broadcasting in stereo and "Mono" appears when the current channel is broadcasting in mono. If the current channel is digital, this space is blank.
- SAP** If the current channel is analog, this shows it is broadcasting SAP (Second Audio Program) information. If the current channel is digital, this area shows the language.
- HDTV 720p** Broadcast signal resolution.
- CC** Closed Captioning is available on the current channel.
- D 10 CBS** The "D" denotes a digital channel; and an "A" denotes an analog channel. The channel, sub-channel (if available for digital channels) and program (only for digital.)
- Stretch** Current screen format. If there are bars on the screen, you may be able to delete them by pressing the FORMAT button on the remote. Go to page 35 for more information on screen formats.
- ZZZ 00:25** Current time left on sleep timer, if the sleep timer is set.
- 02:16 AM** Current time.

Autotuning

The Autotuning feature automatically tunes the TV to the correct video input channel for the different components connected to your TV. When you set up Autotuning in the menu system, you don't have to remember to change your TV to the VID1 input, for example, when you want to watch a tape on the VCR. To set up the Autotuning feature, follow these steps:

Note : This feature only works with other RCA components.

1. Press the MENU button (the *Main Menu* appears).
2. Highlight *Setup* and press OK on your remote control.
3. Highlight *Autotuning* and press OK.
4. Choose which component button you would like to set:
 - Set SAT-AUX Channel** - Allows you to set the channel the TV tunes to when you press the SAT/AUX button.
 - Set DVD Channel** - Allows you to set the channel the TV tunes to when you press the DVD button.
5. Press the right arrow to select the choice that matches the way you have the component connected to this TV.
6. Press the MENU button repeatedly to select the channel and exit the Autotuning Mode.



You can select from the following inputs or channels:

Disabled – Choose this option if you don't have a component connected to the TV, or if you don't want the TV to automatically tune to the correct channel/input when you're using this component.

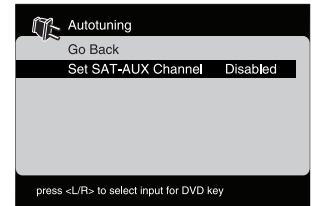
Channel 3 or 4 - Choose this option if the component is connected to the ANTENNA/CABLE jack on the back of the TV, and you want the TV to tune to channel 3 when you press the corresponding button on the remote. Reminder: make sure the component's Channel 3/4 switch is set to channel 3.

VID1, VID2 or S-VIDEO (Video Input) – Choose this option if the component is connected to the VIDEO INPUT 1 jack on the back of the TV or the VIDEO INPUT 2 jack (or S-VIDEO INPUT jack) on the side of the TV and you want the TV to tune to the VIDEO INPUT channel when you press the corresponding component button.

CMPT (Component Video Input) – Choose this option when a compatible component video source, such as an HDTV tuner, satellite receiver, or DVD player, is connected to the three component VIDEO INPUT jacks (Y Pb Pr) on the back of the TV and you want the TV to tune to the component VIDEO INPUT channel (CMPT) when you press the corresponding component button.

PC – Choose this option when the component is connected to the PC INPUT jack on the back of the TV and you want the TV to tune to the PC input when you press the corresponding component button.

HDMI1 or HDMI2 – Choose this option when the component is connected to the HDMI1/DVI or HDMI2/DVI INPUT on the back of the TV, and you want the TV to tune to the HDMI INPUT channel when you press the corresponding component button.



Parental Controls and V-Chip

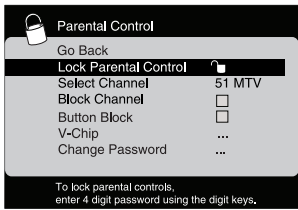
The choices in the *US V-Chip* and *Canada V-Chip* menus involve software inside your TV, referred to as V-Chip, which allows you to block TV programs and movies. TV programs can be blocked by age-based ratings, such as *TV-MA* (See page 33). If available, TV programs can also be blocked by content, such as adult language (*L*) (See page 33). Movies can only be blocked by age-based ratings (See page 33). Once you block programs, you can unblock them by entering a password. By default, the software inside your TV is turned off or unlocked. For instructions to lock V-Chip, see page 32.

V-Chip - US and Canada

V-Chip reads the program's age-based rating (*TV-MA*, *TV-14*, etc.) and content themes (Violence (*V*), Adult Language (*L*), etc.). If you have blocked the rating and/or content themes that the program contains, you receive a message that the channel is currently blocked. Change the channel or press OK to enter your password and temporarily deactivate the parental controls.

Broadcasters are not required to provide content themes, so programs received with no content themes are blocked only if you block their age-based rating. You can also block programs that have been given an Exempt rating, and programs that are considered unrated. See page 44 for the US and Canada ratings explanations.

Note: Parental control settings are not available for HDMI1, HDMI2, CMPT, or PC INPUTS. These settings must be set in the connected component's parental controls.



Lock/Unlock Parental Controls

- When the Parental Control Menu is accessed from the Main Menu and the parental controls are permanently unlocked, the following message is displayed:
“Parental Controls are UNLOCKED. Rating limits and Channel Block will NOT require a password to view the picture. Use ‘Lock Parental Control’ to lock. Press OK key to continue.”
- Pressing the OK key displays the Parental Control Menu and highlights Lock Parental Control.
- To lock parental controls, enter a four-digit password using the digit keys.

Note: If you do not lock parental controls, none of the settings for V-Chip, Button Block or Block Channel will take effect.

Note: When you enter the correct password, the Password menu is cleared and you enter the Parental Control Menu. If an invalid password is entered, you must enter your password again. If you forget your password, enter the factory default code: 4116. If you want to change the password, see page 35 for more information.

V-Chip Rating Screen

The following graphic details where items are located within the TV Ratings option with the US V-Chip menu.

Rating Status Field
Lets you select whether the status of the age-based rating to the left limit is view or block

Rating Field
Lets you select from a list of age-based ratings you can block or view

Content Themes
Lets the content themes you can block or view

Content Status Fields
Lets you select which content themes to view for the selected rating, and whether the status of the content theme is currently unlocked (🔓) or locked (🔒).

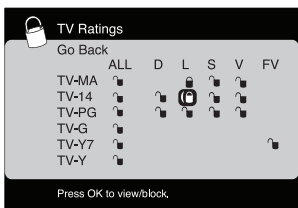
US V-Chip TV Ratings

Blocking Age-Based Ratings

You can automatically block all program ratings above a specified age-based rating level.

1. Choose *Parental Control* from the Main Menu. If parental controls have previously been locked, you must enter your password.
2. Highlight and select *V-Chip*. Then highlight and select *US V-Chip*.
3. Highlight and select *TV Ratings*.
4. Press the up or down arrow to scroll to the rating corresponding with the lowest rating you wish to block.
5. Press the OK button to toggle between *View* and *Block*. The status for the rating and all higher ratings automatically changes to *Block*.
6. Use the MENU button repeatedly to get return to the Parental Control Menu.
7. Select *Lock Parental Control* from the Parental Control Menu. For rating limits to take effect, press OK and enter a four-digit password.

To view age-based ratings after you've locked them, follow the same steps as above to unlock.



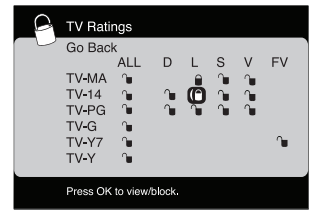
Blocking Specific Content Themes

You can block programs based on their content. (Content is represented by the D, L, S, V and FV on your screen.) When you block a content theme for a particular rating, you automatically block that content theme for higher-rated programs as well. To block program content:

1. Choose *Parental Control* from the Main Menu. If parental controls have previously been locked, you must enter your password.
2. Highlight and select *V-Chip*. Then highlight and select *US V-Chip*.
3. Highlight and select *TV Ratings*.
4. Determine the content themes you want to block.
5. Press the down arrow to scroll to the rating whose content theme you want to change.
6. Press the right arrow to highlight a particular content theme.
7. Press the OK button to change its status to block. (For example, if you block the language (L) corresponding with *TV-14*. The language for *TV-MA* is blocked as well.)

To view content themes after you've locked them, follow the same steps as above to unlock.

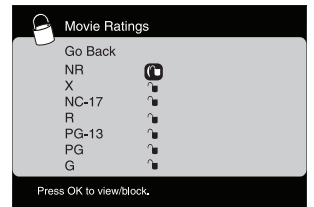
Note: If you unlock the language corresponding with *TV-14*, the language for *TV-MA* doesn't unlock. You have to unlock the content theme status for each rating separately.



Note: Broadcasters are not required to provide content themes or age-based ratings. You must remember to lock Parental Controls for rating limits to take effect.

| Hierarchy of Age-Based Ratings | |
|--------------------------------|--------------------------------------|
| TV-MA | Mature Audience Only |
| TV-14 | Parents Strongly Cautioned |
| TV-PG | Parents Guidance Suggested |
| TV-G | General Audience |
| TV-Y7 | Directed to Children 7 Years & Older |
| TV-Y | All Children |

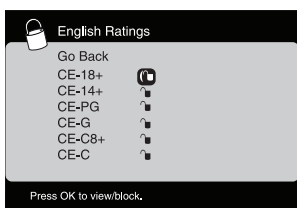
| Content Themes | |
|----------------|----------------------------|
| D | Sexually Explicit Dialogue |
| L | Adult Language |
| S | Sexual Situations |
| V | Violence |
| FV | Fantasy Violence |



US V-Chip Movie Rating Limit

Set movie rating limits by blocking movies rated above a specified level. To access the Movie Rating Limit Menu, follow these steps:

1. Press MENU on the remote control (Main Menu appears).
2. Select *Parental Control*.
3. Highlight and select *V-Chip*. Then highlight and select *US V-Chip*.
4. Highlight and select *Movie Ratings*.
4. Press the down arrow to scroll to the rating you want to change.
5. Press the OK button to change its status to block (all ratings above the one you selected change to block).
6. Press the MENU button repeatedly to exit the Parental Control Menu.



Blocking Canada V-Chip Ratings

If you receive Canadian programs, you can block Canadian English and French V-Chip by ratings only. When you block a particular rating, you automatically block the higher-rated programs as well. To block Canadian English and French program ratings, follow these steps:

1. Press MENU on the remote control (the Main Menu appears).
2. Select *Parental Control*.
3. Select *V-Chip*.
4. Select *Canadian V-Chip*.
5. Highlight *English Ratings* or *French Ratings* and press OK.
6. Press the down arrow to scroll to the rating you want to change.
7. Press the OK button to change its status to block (all ratings above the one you selected change to block).
8. Press the MENU button repeatedly to exit the Parental Control Menu.

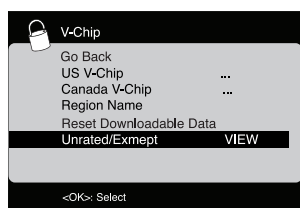
Note: These ratings are available only if the broadcaster is sending them.

Future Rating Region

You might notice an option in your Parental Control Menu that wasn't there before. This is because broadcasters have the capability to add a new rating system for TV programs. These ratings let you define additional parameters for parental controls. This option and its name are dependent on the content acquired from the broadcaster.

Reset Downloadable Data

Select this option to reset the downloadable V-Chip data.



Blocking Unrated/Exempt Programs

The *Unrated/Exempt Ratings* option lets you decide if programs that the V-Chip recognizes as unrated or exempt can be viewed. Unrated TV programs may include news, sports, political, religious, local and weather programs, emergency bulletins, public announcements, and programs without ratings. The Exempt option applies to both US and Canadian unrated programs and Canadian programs rated E.

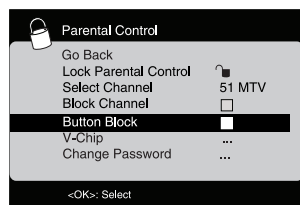
Press the down arrow to highlight *Unrated/Exempt*. Then press the OK button to toggle between *View* and *Block*.

View All unrated programs are available.

Block All unrated programs are not available.

Block Channel

Turn this option on to block the channel you choose in the *Select Channel* option. Use the left and right arrows to find the channel you want to block. Then press the down arrow to select *Block Channel*. Press the OK button to place a checkmark in the *Block Channel* box to block the channel. When you tune to that channel, you'll need to enter a password to view the channel if parental control is locked. Press the MENU button repeatedly to exit the Parental Control Menu.



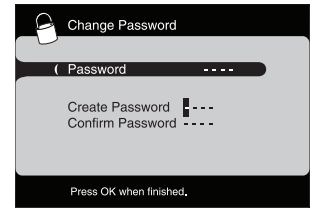
Button Block

Select this option to block (disable) or unblock (enable) the TV's side panel buttons so that they can't be used. The remote still tunes to any channel. If you're using this to keep children from changing channels, remove access to any remote that is capable of operating the television while you have the side panel blocked. Don't forget to lock parental controls after you change the status. If you don't, the *Button Block* action will not take effect.

Change Password

To change your password, follow these steps:

1. Press MENU on the remote control (Main Menu appears).
2. Select *Parental Control*.
3. Select *Change Password*; press the OK button to display the Password Resetting menu.
4. Using the number buttons, enter the new password and press OK.
5. Re-enter the same password and press OK to confirm.
6. Press the MENU button repeatedly to exit the Parental Control Menu.



Additional Features

There are additional features available unrelated to parental controls. These features can be found in other menus.

Screen Formats

Screen format refers to the way the picture is displayed on your TV. Press the FORMAT button on your remote to see if a different format is available for the video you are viewing. The format changes as you press the FORMAT button and the format type is displayed at the bottom of the screen.

Analog video is sent in a 4/3 format, which your TV displays in a 16/9 format. Most digital video is sent in a 16/9 format which fills your screen, but it sometimes is sent in 4/3, which does not fill your screen. It depends on how the station or component connected to your TV is formatting the video. If there are bars on the screen, press the FORMAT button to try a different format that may eliminate the bars. Some bars can't be removed because of the way the format is sent by the broadcaster.

To change the screen formats:

1. Press MENU on the remote control (the Main Menu appears).
2. Select Picture Mode.
3. Scroll to Screen Formats.
4. Use the left and right arrows to choose the format you desire.
5. Press MENU button repeatedly to exit Picture Mode.

Examples of the different formats appear below. Each format is available for analog video, but it might not be available for digital video.



Normal



Zoom



Stretch



Center

4 Using the TV Menu

Using the Menu System

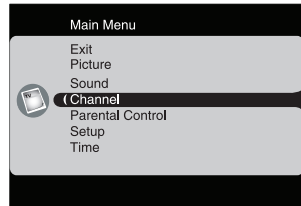
This section explores the menus of your TV. Each menu is outlined and detailed to help you get the most from your TV. The Parental Control Menu is discussed in Chapter 3. To access the menu system, follow these steps:

1. Press the MENU button.
2. Use the up and down arrow to highlight an option and press OK to display it. The name of the menu is displayed at the top of the menu screen.
3. Press the up and down arrow to move to a different option within the menu. If necessary, press the OK button to display the choices of the option you've highlighted. If available, use the text at the bottom of each screen for help.
4. To return to the Main Menu, press the MENU button repeatedly until it is displayed.

Descriptions of each menu are discussed in the order they appear.

There are two ways to exit a menu:

- Press the CANCEL button. The menus are cleared from the screen and you return to TV viewing.
- Press the MENU button repeatedly until the menus disappear.



Picture Menu

The Picture Menu contains menus and controls to configure the way the picture appears. The Picture Menu options apply to the video for the main TV and VIDEO INPUT selections. All picture options can be applied to each input - VID1, VID2, CMPT, HDMI1 or HDMI2, and PC.

Picture Settings:

Preset - Displays a list that lets you select one of the preset picture settings: *Vibrant*, *Gaming*, *Natural*, or *Personal*. Choose the setting that is best for your viewing environment.

Brightness - Use the left or right arrows to adjust the brightness of the picture.

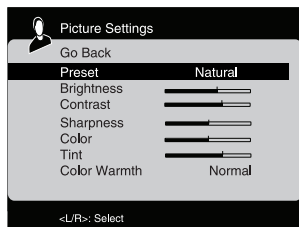
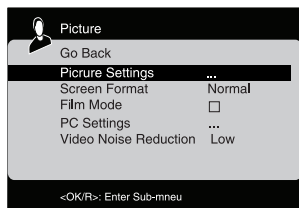
Contrast - Use the left or right arrows to adjust the difference between the light and dark areas of the picture.

Sharpness (not available on PC) - Use the right or left arrows to adjust the crispness of the edges in the picture.

Color - Use the right or left arrows to adjust the richness of the color.

Tint (not available on PC) - This option adjusts the balance between the red and green levels.

Color Warmth - This option displays a list that allows you to select one of three automatic color adjustments: *Cool* for a bluer palette of picture colors; *Normal*; or *Warm* for a redder palette of color. The warm setting corresponds to the NTSC standard of 6500 K. When you change any of these picture settings, the Picture Preset changes to *Personal*. Use the left or right arrows to make adjustments.



Screen Format – Change the screen format, choosing from *Normal*, *Center*, *Zoom* and *Stretch*. For more information about screen formats, go to page 35.

Film Mode - (3:2 Pulldown) – This option automatically detects video sources that were originally recorded on film (such as most movies) and converts them to a different format (for TV broadcast, for example). Film Mode processes the converted signal so that it appears as close to the original as possible. Another name for this process is 3:2 pulldown. When using Film Mode, keep these tips in mind:

- The *On* setting (recommended) – When you check this setting, it enables the feature only when the TV detects that movie playback quality could be improved.
- The *Off* setting (box unchecked) turns off the film mode conversion. Try using this setting if you think the reverse 3:2 pulldown is causing distortions in your picture.

PC Settings – This option allows you to adjust the PC settings when in PC Mode.

Video Noise Reduction (not available on PC or digital channels) – This setting reduces picture “static” or any type of interference. This feature is especially useful for providing a clearer picture in weak analog signal conditions. Press the right arrow to choose between these options:

Low for a softer, smoother picture that retains picture sharpness and detail.

Normal for a slightly softer picture than the *Low* setting.

High for an even softer, smoother picture than the other settings (the picture detail is somewhat decreased)

Note: Video noise reduction is available for CMPT inputs only if the signal is 480i.

Sound Menu

The Sound Menu lets you adjust audio output. To access the Sound Menu, press MENU on the remote, and then select Sound from the Main Menu. The following audio items can be adjusted:

Treble – Improves treble output.

Bass – Improves bass output.

Balance – Use the left or right arrows to adjust the amount of audio sent to the left and right speakers.

SRS – Option ON/OFF.

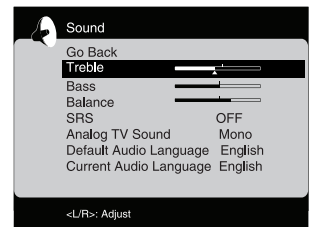
Analog TV Sound – Controls the manner in which the sound comes through your speakers. Options available vary according to the input selected:

- Mono (available for regular TV viewing only) – This option plays the sound in mono only. Use this setting when receiving broadcasts with weak stereo signals.
- Stereo – This option splits the incoming stereo audio signal into left and right channels. Most TV programs and recorded materials have stereo audio. The word “stereo” appears in the Channel Banner when you tune to a program that is broadcast in stereo.
- Second Audio Program (SAP) – This option plays the program’s audio in a second language, if available. The letters “SAP” appear in the Channel Banner when you tune to a program that is broadcast with SAP information. SAP audio is broadcast in mono only. SAP is also used to broadcast a program’s audio with descriptions of the video for the visually impaired.

Default Audio Language – Use this selection to choose the language you prefer for dialog on digital channels. If your preferred language is being broadcast with a program, the TV plays it. If not, the TV plays the default option for the program (usually English in the US). The default digital channel audio language options are *English*, *French*, *Spanish*, *German*, *Italian*, *Japanese*, *Chinese* and *Korean*.

Current Audio Language (not available for analog channels) – Press the right arrow to choose from the list of languages available for the program you’re watching. The language chosen becomes your preferred language for all digital channels until you turn the TV off. If the language chosen is not being broadcast with a program, the TV plays the default language for the program (usually English in the US).

Note: The menu grays out when the current channel selected is analog.



Channel Menu

The Channel Setup Menu allows you to configure the TV with your preferences. Press MENU on the remote control; then select *Channel* from the Main Menu.

Channel List – The Channel List Menu allows you to view all the channels available in your channel list. Press the up or down arrows to highlight a channel and press OK to tune to it. The left and right arrows allow you to scroll to previous or next pages.

Auto Channel Search – This option searches for channels the TV is able to receive (See page 18 for more information). To use this option, select Auto Channel Search; then press OK to access the menu. Choose the type of signal you have connected to the ANTENNA/CABLE INPUT.

List and Labels – Edit the channels in the list or choose labels for your video inputs.

1. Press the MENU button.
2. Select Channel.
3. Select List and Labels.
4. Press OK to display the sub-menu of *List and Labels*.

- **Channel Number** – Press OK to select. Use the left and right arrows to select the channel number. Or, press the INPUT button; then use the left and right arrows to select a video input channel (VID1, VID2, HDMI1, HDMI2, CMPT, PC or S-VIDEO). Press OK to confirm the selection.
- **In Channel List (only available for TV channels)** - If you've entered a channel you want to add to the channel list, highlight *In Channel List* and press the OK button to place a check in the checkbox. If you've entered a channel you want to delete from the channel list, press the OK button to uncheck the box. When an AV INPUT is displayed in the Channel Number field, the line "In channel list" is grayed out.
- **Channel Label** - This is displayed on the Channel Label, but it is always grayed out as it can't be modified by the user.

Parental Control Menu

The Parental Control Menu is explained in Chapter 3. Go to Page 31 for more information.

Setup Menu

Closed Caption

Many programs are encoded with closed captioning information, which allows you to display the audio portion of a program as text on the TV screen.

Note: *Closed caption settings are not available for HDMI1, HDMI2, and CMPT INPUTS. These settings must be set in the connected component's menu. Closed captioning is not available on all channels at all times. Only specific programs are encoded with closed captioning information. When a program is closed captioned, CC is displayed in the Channel Banner. See Chapter 3 for more information about the Channel Banner.*

To program Closed Caption options:

1. Press the MENU button.
2. Select Setup.
3. Select the options you desire.
4. Press the MENU button repeatedly to exit the Setup Menu.

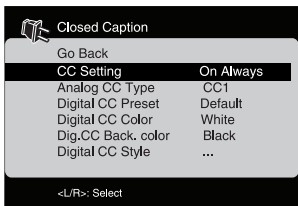
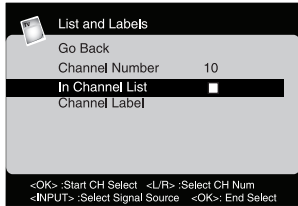
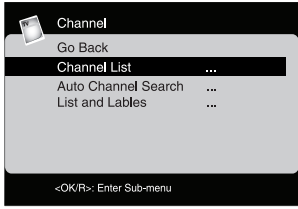
Closed Caption Options

CC Setting – This option allows you to choose the way closed captioning information appears on the screen.

Off - No captioning information displayed.

On Always – Choose this option is you want captioning information to be shown whenever available.

On When Muted – This option allows the closed captioning to display (when available) whenever the TV's sound is muted. The captioning information is not displayed when the sound is not muted.



Analog CC Type – This option lets you select the captioning mode used for displaying captioning information, when available. If you are unsure of the differences among the modes, you may prefer to leave the closed captioned mode set to CC1, which displays complete text of the program in the primary language in your area.

Digital CC Type – This option lets you select a closed caption service mode (1.6) for digital channels, if available.

Digital CC Preset – This option lets you select between Default and Custom options, if available. Custom changes according to what you set for the options below.

Digital CC Color – This option allows you to choose the color of the closed caption text: *White, Red, Green, Blue, Yellow, Magenta, Cyan or Black.*

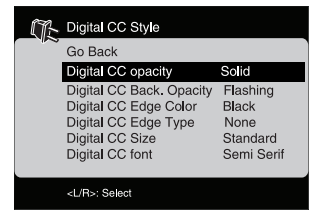
Digital CC Style – This option lets you customize the following display options, if available:

- **Digital CC Opacity** – Set the appearance of the digital closed caption text: *Solid, Transparent, Translucent or Flashing.*
- **Digital CC Background Opacity** – Set the appearance of the area behind the digital closed caption text: *Solid, Transparent, Translucent, or Flashing.*
- **Digital CC Edge Color** – Choose the edge color of the digital closed caption text: *Black, White, Red, Green, Blue, Yellow, Magenta, or Cyan.*
- **Digital CC Edge Type** – Choose the edge type for the digital closed caption text: *None, Raised, Depressed, Outline, Left Shadow, or Right Shadow.*
- **Digital CC Size** – Set the size of the digital closed caption text: *Small, Standard or Large.*
- **Digital CC Font** - Select a character design for the digital closed caption text. A font is a complete assortment of letters, numbers, punctuation marks, etc. in a given design. You can choose from a variety of fonts (Styles 1-7).

Menu Language – This option allows you to select your preferred language from the menus: *English, Espanol or Francais.*

Light Sensor – Choose the On/Off to control the light sensor located on the face of the LCD TV.

Autotuning – The Autotuning Menu is explained in Chapter 3. Go to page 30 for more information.



Note: *These captioning style options only have an effect on true digital closed captions. Not all captioning on digital channels is digital captioning-it depends on what the broadcaster is sending. If the closed captioning for a program is not digital, the Digital CC style settings will not have an effect.*

Time Menu

Enter Time

If you did not set the time reference channel, enter the current time manually.

1. Press the MENU button.
2. Select Time.
3. Press OK to start.
4. Press the left and right arrows to select the input option.
5. Use the up and down arrows to set hours, minutes and AM/PM. Press OK to complete.
6. Press the MENU button repeatedly to exit the Time Menu.

Auto Time Channel

Choose a station to have the TV set the time for you. Wait approximately one minute after your program this for the time to be set.

Sleep Timer

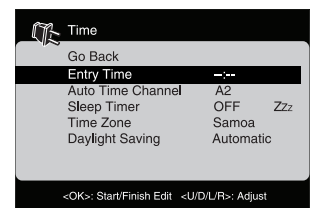
1. Press the MENU button.
2. Select Time.
3. Press the left and right arrows to set the TV to turn off after a given amount of time (from one minute to four hours).
4. Press the MENU button repeatedly to exit the Time Menu.

Time Zone

Select the current local time: *Eastern, Atlantic, Newfoundland, Samoa, Hawaii, Alaska, Pacific, Central and Mountain.*

Daylight Saving

Choose between *Off* and *Automatic* Modes.



5 Other Information

Frequently Asked Questions (FAQs)

What's the quickest way to view High Definition (HD) video?

Connect an off-air antenna to the ANTENNA/CABLE Input to view free local digital channels. You may need to purchase an antenna. (See page 12 for more information).

Visit www.antennaweb.org for assistance in deciding what type of antenna to use to receive the local digital channels available to you. By entering your location, this mapping program tells you which local analog and digital stations are available using a certain antenna.

Are there other ways to view High Definition (HD) video?

Besides using an off-air antenna as mentioned above, you can also use a set-top box to receive digital video. Contact your cable company or satellite provider to purchase digital programming and have them connect the box to ensure you are viewing channels the best way.

How do I tell an analog channel from a digital channel?

Press the INFO button to display the Channel Banner. Look at the bottom left corner of the screen. An "A" is displayed for an analog channel. A "D" is displayed for a digital channel.

Why are there bars on my screen and can I get rid of them?

Most digital video is sent in a 16/9 format which fills your screen, but is sometimes sent in 4/3 which does not fill your screen. It depends on how the station or device connected to your TV is formatting the video. If there are bars on the screen, press the FORMAT button to try a different format that may eliminate the bars. Some bars can't be removed because of the way the format is sent by the broadcaster. The format changes as you press the FORMAT button and the format type is displayed at the bottom of the screen. For more information on screen formats, go to page 35.

Why does channel search find a lot of channels, but when I try to tune to them, there's nothing there?

Some channels enabled by the cable company don't carry programming, such as video ondemand. When channels are unavailable, your TV screen is blank or appears like snow. You probably want to remove these channels from your channel list. Remove these in the Channel List Menu. Go to page 38 for more information.

Why does the first channel search take a long time?

If you have both analog and digital channels, the TV is looking for all available channels in the channel list. If you do have digital channels, the TV is also searching for scrambled channels, non-scrambled channels, and each sub-channel of that digital channel.

Troubleshooting

Most problems you encounter with your TV can be corrected by consulting the following troubleshooting list.

TV Problems

The TV won't turn on.

- Make sure the TV is plugged in.
- Check the wall receptacle (or extension cord) to make sure it is “live” by plugging in another device.
- The side panel controls may be locked (disabled). Use the remote control to unlock the side panel controls. Select the *Block Buttons* feature on the Parental Control menu and press OK to uncheck the box.

There is no picture and no sound but the TV is on.

- You may be tuned to an input with no component connected to it. If you're trying to view a connected component, press INPUT until the picture from that component appears.
- The *Signal Type* option may be set incorrectly. Go to page 18 for detailed instructions.
- The channel may be blank. Try changing channels.
- If you're watching your VCR and it's connected with coaxial cable to the ANTENNA/CABLE jack, tune the TV to channel 3 or 4 (whichever channel is selected on the 3/4 switch on the back of your VCR). Also make sure the TV/VCR button on the VCR is in the correct mode (press the TV/VCR button on your VCR).

The sound is fine, but the picture is poor quality.

- If you're getting a black and white picture from a component you've connected to your TV, you might have your video cables connected to the wrong jacks. A yellow video cable connects to the yellow VIDEO INPUT jack on the side or back of your TV; three video cables or bundled component video cables (red, blue, and green) connect to the corresponding COMPONENT INPUT jacks on the back of your TV.
- If you're getting no picture from a component you've connected to your TV, you might have your video cable connected to the VIDEO OUTPUT jack on the back of your TV. These jacks are used to connect recording devices. A yellow video cable connects to the yellow VIDEO INPUT jack on the side or back of your TV.
- Check the antenna connections. Make sure all of the cables are firmly connected to the jacks.
- Try adjusting the sharpness function to improve weak signals. Go to page 36 for more instructions.

There is no sound, but the picture is fine.

- The sound might be muted. Try pressing the volume up button to restore sound.
- If using DVI, S_VIDEO or Y, PB, PR, remember to also connect the device's left and right audio output jacks to the TV's L and R AUDIO INPUT jacks.
- The sound settings may not be set correctly. Go to page 37 for more information.
- If your audio source has only one jack or is a (mono) audio source, make sure you have plugged the connection into the L AUDIO INPUT jack on the TV.

The screen is blank.

- Check your connections. If you used yellow, red, and white cables to connect, make sure they're connected to the yellow, red, and white VIDEO INPUT jacks on the side or back of the TV, not to the VIDEO OUTPUT jacks on the back of the TV.
- If you're trying to watch something that's playing on a component connected to the TV (like a DVD), press INPUT until you get to the correct video input channel.
- Make sure the component connected to the TV is turned on.
- Try another channel.

The buttons on the side panel don't work.

- The side panel controls may be locked (disabled). Use the remote control to unlock the side panel controls by selecting the *Block Buttons* feature in the Parental Control Menu and press OK to uncheck the box.
- Unplug the TV for 10 minutes and then plug it back in. Turn the TV on and try again.

The TV turns off unexpectedly.

- The Sleep Timer may have been activated. Go to page 39 for instructions.
- The electronic protection circuit may have been activated because of a power surge. Wait 30 seconds and then turn the TV on again. If this happens frequently, the voltage in your house may be abnormally high or low.
- Unplug. Wait 10 minutes. Plug in again.

You can't select a certain channel.

- The channel may be blocked or not approved in the Parental Control Menu.
- If using a VCR, check to make sure the TV/VCR button on the VCR is in the correct mode (press the TV/VCR button on your VCR).
- Press the TV button and then try to change channels.

The stereo reception is noisy.

- It may be a weak station. Use the Sound Menu and Sound Type to choose mono.

A black box appears on the screen.

- Closed captioning might be on. Check *Closed Caption* in the Setup menu. Go to page 38 for more instructions.

You are having problems with the HDMI Connection.

- Make sure the HDMI or DVI component is turned on and the cables are firmly connected. If problems still occur, turn off your component and reconnect it. Reset the power by unplugging the power cord and plugging it back in.
- If you are tuned to the HDMI 1 or HDMI 2 INPUT and you're receiving *Unusable Signal* message onscreen, press the INFO button on the remote. If *Acquiring Channel* appears in the Channel Banner, the HDMI or DVI device isn't responding. Contact the manufacturer of the HDMI or DVI device for further assistance.
- If you tune to the HDMI 1 or HDMI 2 INPUT and you see snow, the video goes in and out, or the video takes a long time to appear, your HDMI or DVI component is having trouble sending video information to the TV. Re-connect your device. Reset the power by unplugging the power cord and plugging it back in. If problems persist, try connecting the Y Pb Pr jacks if they are available or contact the manufacturer of the HDMI or DVI component for further assistance.
- If you have black bars on each side of your picture, the component you connected might have a switch or a menu option allowing you to change the picture quality output that will fix this. Choose either *720p* or *1080i*.
- 480i signals aren't supported by the HDMI2/DVI or HDMI1 INPUT

The remote control doesn't work.

- Something might be between the remote and the remote light sensor on the front of the TV. Make sure there is a clear path.
- The remote may not be aimed directly at the TV.
- The batteries in the remote may be weak, dead, or installed incorrectly. Put new batteries in the remote. (Note: If you remove the batteries, you may have to reprogram the remote to operate other component.)

You are experiencing problems with V-Chip/Parental Controls.

- If the rating limits don't work, you must lock the settings. Go to the Main Menu (press MENU on your remote), select *Parental Control*, select *Lock Parental Control*.

I don't remember my password and I want to unlock the TV.

- If you forget your password, turn the TV off. Simultaneously press and hold VOL UP on the side panel and CANCEL on the remote for 10 seconds. Next time you enter the Parental Control Menu, enter a new password.

The V-Chip won't let me watch a program even though it's not rated as violent.

- Maybe the movie was given an NR (Not Rated) status. After you block movie ratings, you must set NR to View Separately in order to view movies with an NR rating.

What Else Can I Do?

If you've been through the Troubleshooting section and nothing has fixed your problem, try rebooting your TV. Note that after a reboot, you may need to run your TV through the setup process again. To do a reboot, unplug the power cord from the wall outlet or power strip. Keep your TV unplugged for about 5 minutes. Then plug in the TV and turn it on. See if the problem is fixed. If the problem remains, then please click on the Customer Support Menu at www.rca.com/television for updated FAQs or contact RCA Customer Support at the support number provided in your Warranty under *How To Get Service*.

V-Chip Rating Explanations

US V-Chip Rating System

TV-MA (Mature Audience Only) Specifically designed to be viewed by adults and may be unsuitable for children under 17. It contains one or more of the following content themes: crude indecent language (L), explicit sexual activity (S), or graphic violence (V).

TV-14 (Parents Strongly Cautioned) Contains some material that many parents would find unsuitable for children under 14. Parents are strongly urged to exercise greater care in monitoring this program and are cautioned against letting children under the age of 14 watch unattended. This program contains one or more of the following content themes: intensely suggestive dialogue (D), strong coarse language (L), intense sexual situations (S), or intense violence (V).

TV-PG (Parental Guidance Suggested) Contains material that parents may find unsuitable for younger children. Many parents may want to watch it with their younger children. The program contains one or more of the following content themes: some suggestive dialogue (D), infrequent coarse language (L), some sexual situations (S), or moderate violence (V).

TV-G (Parental Audience) Most parents would find this program suitable for all ages. It contains little or no sexual dialogue (D) or situations (S), no strong language (L), and little or no violence (V).

TV-Y7 (Directed to Children 7 years and older) Designed for children ages 7 and above. It may be more appropriate for children who have acquired the developmental skills needed to distinguish between make believe and reality. Themes and elements in this program may include mild fantasy violence (FV) or comedic violence, or may frighten children under the age of 7.

TV-Y (All Children) Themes and elements in this program are designed for a young audience, including children ages 2-6. It is not expected to frighten younger children.

Canadian English V-Chip Rating System

18+ (Adult) Programming intended for adults 18 and older. It may contain elements of violence, language, and sexual content which could make it unsuitable for viewers under 18. Violence Guidelines: May contain violence integral to the development of the plot, character or theme, intended for adult audiences. Other Content Guidelines: May contain graphic language and explicit portrayals of nudity and/or sex.

14+ (Viewer 14 and over) Programming contains themes or content which may not be suitable for viewers under the age of 14. Parents are strongly cautioned to exercise discretion in permitting viewing by pre-teens and early teens. Violence Guidelines: May contain intense scenes of violence. Could deal with mature themes and societal issues in a realistic fashion. Other Content Guidelines: May contain scenes of nudity and/or sexual activity. There could be frequent use of profanity.

PG (Parental Guidance) Programming intended for a general audience but which may not be suitable for younger children (under the age of 8). Parents may consider some content inappropriate for unsupervised viewing by children aged 8-13. Violence Guidelines: Depictions of conflict and/or aggression will be limited and moderate; may include physical, fantasy, or supernatural violence. Other Content Guidelines: May contain infrequent mild profanity, or mildly suggestive language. Could also contain brief scenes of nudity.

G (General Audience) Programming considered acceptable for all ages groups. While not designed specifically for children, it is understood younger viewers may be part of the audience. Violence Guidelines: Will contain very little violence, either physical or verbal or emotional. Will be sensitive to themes which could frighten a younger child, will not depict realistic scenes of violence which minimize or gloss over the effects of violent acts. Other Content Guidelines: There may be some inoffensive slang, no profanity and no nudity.

C8+ (Children 8 and older) Programming generally considered acceptable for children 8 years and over to watch on their own. Violence Guidelines: Violence will not be portrayed as the preferred, acceptable, or only way to resolve conflict or encourage children to imitate dangerous acts which they may see on television. Any realistic depictions of violence will be infrequent, discreet, of low intensity and will show the consequences of the acts. Other Content Guidelines: There will be no profanity, nudity or sexual content.

C (Children) Programming intended for children under age 8. Violence Guidelines: Careful attention is paid to themes which could threaten children's sense of security and well being. There will be no realistic scenes of violence. Depictions of aggressive behavior will be infrequent and limited to portrayals that are clearly imaginary, comedic or unrealistic in nature. Other Content Guidelines: There will be no offensive language, nudity or sexual content.

Canadian French V-Chip Rating System

18+ (Adult) Programming is for adults only. This program contains sustained violence or extremely violent scenes.

16+ (Viewer 16 and over) Programming is not suitable for those under age 16. This program contains frequent scenes of violence or intensely violent scenes.

13+ (Viewer 13 and over) Programming may not be suitable for children under the age of 13. This program either contains several violent scenes or one or more scenes that are violent enough to affect them. Viewing in the company of an adult is therefore strongly recommended for children under the age of 13.

8+ (Viewer 8 and over) Not recommended for young children. This program is suitable for most audiences, but it contains mild or occasional violence that could upset young children. Viewing in the company of an adult is therefore recommended for young children (under the age of 8) who do not distinguish between reality and imagination.

G (General Audience) This program is suitable for audiences of all ages. It contains no violence, or any violence that it does contain is either minimal or is presented in a humorous manner, as a caricature, or in an unrealistic way.

TTE Technology, Inc. (“TTE”) Limited Warranty

All LCD Models

EXCEPT TO THE EXTENT PROHIBITED BY APPLICABLE LAW, THIS WARRANTY DOES NOT COVER, AND AS DESCRIBED BELOW TTE EXPRESSLY DISCLAIMS, ALL ACTUAL AND IMPLIED WARRANTIES WITH RESPECT TO ANY PRODUCT USED FOR INSTITUTIONAL OR OTHER COMMERCIAL PURPOSES (INCLUDING BUT NOT LIMITED TO RENTAL PURPOSES).

What your warranty covers: Defects in materials or workmanship to the original owner

New LCD Televisions - Screen Sizes 32” and smaller:

For how long after your purchase:

- Ninety (90) days from date of purchase for labor charges. After ninety (90) days, labor charges will be at owner expense.
- One (1) year from date of purchase for parts.

What we will do:

- At TTE’s discretion, pay an Authorized RCA Service Center for both labor charges and parts to repair your television, or replace your television with a new or refurbished/remanufactured unit. See “How to get service”

New LCD Televisions - screen sizes 33” through 47”:

For how long after your purchase:

- One (1) year from the date of purchase for labor charges.
- One (1) year from the date of purchase for parts.
- What we will do:
- At TTE’s discretion, pay an Authorized RCA Service Center for labor charges and parts to repair your television, or replace your television with a new or refurbished/remanufactured unit. See “How to get service”

All Remanufactured/Refurbished LCD Televisions:

For how long after your purchase:

- Ninety (90) days from date of purchase for labor charges.
- Ninety (90) days from date of purchase for parts.

What we will do:

- At TTE’s discretion, pay an Authorized RCA Service Center for both labor charges and parts to repair your television, or replace your television with a refurbished/remanufactured unit. See “How to get service”

How to get service:

- Call 1-800-951-9582. Please have your unit’s date of purchase and model/serial number ready. The model/serial number information can be found on the back of your unit.
- A representative will troubleshoot your problem over the phone.
- If it is determined that your unit requires service, the service location will be at the sole discretion of TTE based upon the TTE Limited Warranty statement.
- At the sole discretion of TTE, television screen sizes 32” and smaller is either consumer carry-in to an Authorized RCA Service Center or directly exchanged for a new or refurbished/remanufactured unit.
- At the sole discretion of TTE, television screen sizes 33” through 47” is either consumer carry-in to an Authorized RCA Service Center or directly exchanged for a new or refurbished/remanufacture unit.
- Proof of purchase in the form of a bill of sale or receipted invoice from an Authorized Dealer which is evidence that the product is within the warranty period must be presented to obtain warranty service.

What your warranty does not cover:

- Customer instruction. (Your Owner's Manual describes how to install, adjust, and operate your unit. Any additional information should be obtained from your dealer.)
- Installation and related adjustments.
- Damage resulting from non-approved installation methods.
- Signal reception problems not caused by your unit.
- Damage from misuse or neglect.
- Batteries.
- A television that has been modified or incorporated into other products or is used for institutional or other commercial purposes (including but not limited to rental purposes).
- A unit purchased or serviced outside the U.S.A.
- Acts of nature, such as but not limited to lightning damage.
- Special, incidental or consequential damages.

Product Registration:

Please complete and mail the Product Registration Card packed with your unit or register on-line at www.rca.com/television. It will make it easier to contact you should it ever be necessary. The return of the card is not required for warranty coverage.

Limitation of Warranty:

- **THE WARRANTY STATED ABOVE IS THE ONLY WARRANTY APPLICABLE TO THIS PRODUCT. NO VERBAL OR WRITTEN INFORMATION GIVEN BY TTE TECHNOLOGY, INC., ITS AGENTS OR EMPLOYEES SHALL CREATE A GUARANTY OR IN ANY WAY INCREASE OR MODIFY THE SCOPE OF THIS WARRANTY.**
- **REPAIR OR REPLACEMENT AS PROVIDED UNDER THIS WARRANTY IS THE EXCLUSIVE REMEDY OF THE CONSUMER. TTE TECHNOLOGY, INC. SHALL NOT BE LIABLE FOR SPECIAL, INCIDENTAL OR CONSEQUENTIAL DAMAGES RESULTING FROM THE USE OF THIS PRODUCT OR ARISING OUT OF ANY BREACH OF ANY EXPRESS OR IMPLIED WARRANTY ON THIS PRODUCT. THIS DISCLAIMER OF WARRANTIES AND LIMITED WARRANTY ARE GOVERNED BY THE LAWS OF THE STATE OF INDIANA. EXCEPT TO THE EXTENT PROHIBITED BY APPLICABLE LAW, ANY IMPLIED WARRANTY OF MERCHANTABILITY OR FITNESS FOR A PARTICULAR PURPOSE ON THIS PRODUCT IS LIMITED TO THE APPLICABLE WARRANTY AND WARRANTY PERIOD SET FORTH ABOVE.**

How State Law relates to this warranty:

- Some states do not allow the exclusion nor limitation of incidental or consequential damages, or limitations on how long an implied warranty lasts, so the above limitations or exclusions may not apply to you.
- This warranty gives you specific legal rights, and you also may have other rights that vary from state to state.

If you purchased your unit outside the United States or seek warranty coverage outside the United States:

This warranty does not apply. Contact your dealer for warranty information.

Service calls which do not involve defective materials or workmanship are not covered by this warranty. Costs of such service calls are the sole responsibility of the purchaser.

TTE Technology Canada Ltd. (“TTE”) Limited Warranty

EXCEPT TO THE EXTENT PROHIBITED BY APPLICABLE LAW, THIS WARRANTY DOES NOT COVER, AND AS DESCRIBED BELOW TTE EXPRESSLY DISCLAIMS, ALL ACTUAL AND IMPLIED WARRANTIES AND CONDITIONS WITH RESPECT TO ANY PRODUCT USED FOR INSTITUTIONAL OR OTHER COMMERCIAL PURPOSES (INCLUDING BUT NOT LIMITED TO RENTAL PURPOSES).

What your warranty covers:

- Defects in materials or workmanship to the original purchaser.

For how long after purchase:

- All RCA televisions: One year parts and labour.
- All RCA Scenium televisions: Two years parts and labour.

What TTE Technology Canada Ltd. will do:

- At TTE’s discretion, pay an Authorized RCA Service Centre for both labor charges and parts to repair your television, or replace your television with a new or refurbished/remanufactured unit.
- See “How to get service”

How to get service:

- Call 1-866-465-7157 (French: 1-800-522-0445). Please have your unit’s date of purchase and model/serial number ready. The model/serial number information can be found on the back of your unit.
- A representative will troubleshoot your problem over the phone.
- If it is determined that your unit requires service, the service location will be at the sole discretion of TTE based upon the TTE Limited Warranty statement.
- At the sole discretion of TTE, RCA CRT DV televisions are either consumer carry-in to an Authorized RCA Service Centre or directly exchanged for a new or refurbished/remanufactured unit.
- At the sole discretion of TTE, RCA LCD televisions are either consumer carry-in to an Authorized RCA Service Centre, directly exchanged for a new or refurbished/remanufacture unit or provided in-home service.
- At the sole discretion of TTE, RCA Scenium LCD televisions are either consumer carry-in to an Authorized RCA Service Centre, directly exchanged for a new or refurbished/remanufacture unit or provided in-home service.
- Proof of purchase in the form of an original bill of sale or receipted invoice from an Authorized Dealer which is evidence that the product is within the warranty period must be presented to obtain warranty service.

Your warranty does not cover damages which are caused by:

- Fire, accident, lightening, flood and/or other acts of God;
- Faulty installation, set-up adjustments, improper antenna, inadequate signal reception, adjustment of consumer controls and/or improper maintenance; and/or
- Failure which results from misuse, abuse, neglect, mishandling, misapplication, and/or alteration.

What your warranty does not cover:

- Customer instruction (Your Owner's Manual describes how to install, adjust, and operate your unit. Any additional information should be obtained from your dealer);
- Transportation cost to and from the Service Centre (Unless you have made other arrangements with your dealer at the time of purchase whereby he undertakes this responsibility);
- Installation and set-up service adjustments;
- Products connected otherwise than as outlined in the Owner's Manual;
- Products on which the serial number has been altered or removed;
- External antenna or cable systems;
- Remote control batteries;
- A television that has been modified or incorporated into other products or is used for institutional or other commercial purposes (including but not limited to rental purposes);
- A unit purchased or serviced outside Canada;
- Special, incidental or consequential damages; and/or
- Normal wear or cosmetic damage.

How Provincial law relates to this warranty:

- This warranty gives you specific legal rights, which are in addition to statutory warranties, which may vary from Province to Province and which take precedence over the terms of this warranty.

If you purchased your unit outside of Canada:

- This warranty does not apply. Contact your dealer for warranty information.

©2008 TTE Technology Canada Ltd.

6605 Hurontario Street, Mississauga, Ontario L5T 0A3

Care and Cleaning

Caution: Turn OFF your TV before cleaning.

You can clean the TV as required, using a soft lint-free cloth. Be sure to occasionally dust the ventilation slots in the cabinet to help assure adequate ventilation.

IMPORTANT: Never use strong cleaning agents, such as ammonia-based cleaners, or abrasive powder. These types of cleaners will damage the TV. The TV's screen may be cleaned with a soft, lint-free cloth as well. Take care not to scratch or mar the screen. If necessary, you may use a cloth dampened with warm water. While cleaning, do not spray liquid directly on the screen, or allow liquid to run down the screen and inside the TV. Also, never place drinks or vases with water on top of the TV. This could increase the risk of fire, shock hazard or damage to the TV.



ENERGY STAR is a set of power-saving guidelines issued by the U.S. Environmental Protection Agency (EPA).

Manufactured under license from Dolby Laboratories.

“Dolby” and the double-D symbol are registered trademarks of Dolby Laboratories.

SRS, SRS and (●) are trademarks of SRS Labs, Inc. SRS technology is incorporated under license from SRS Labs, Inc.

FCC Information

This equipment has been tested and found to comply with the limits for a Class B digital device, pursuant to Part 15 of the FCC Rules. These limits are designed to provide reasonable protection against harmful interference in a residential installation. This equipment generates, uses, and can radiate radio frequency energy and, if not installed and used in accordance with the instructions, may cause harmful interference to radio communications. However, there is no guarantee that interference will not occur in a particular installation. If this equipment does cause harmful interference to radio or television reception, which can be determined by turning the equipment off and on, the user is encouraged to try to correct the interference by one or more of the following measures:

- Reorient or relocate the receiving antenna.
- Increase the separation between the equipment and receiver.
- Connect the equipment into an outlet on a circuit different from that to which the receiver is connected.
- Consult the dealer or an experienced radio/TV technician for help.

This Class B digital apparatus complies with Canadian ICES-003.

Visit the RCA website at www.rca.com/television

Please do not send any products to the Indianapolis address listed in this manual or on the carton. This will only add delays in service for your product.

TTE

TTE Technology, Inc.

101 West 103rd Street

Indianapolis, IN 46290

@ 2009 TTE Technology Inc.

RCA and associated marks are trademarks of THOMSON S.A.

used under license to TTE Corporation.

Printed in USA

Part No.: 72-RS86A1-E001E