

MSP Series

Quick Reference Guide

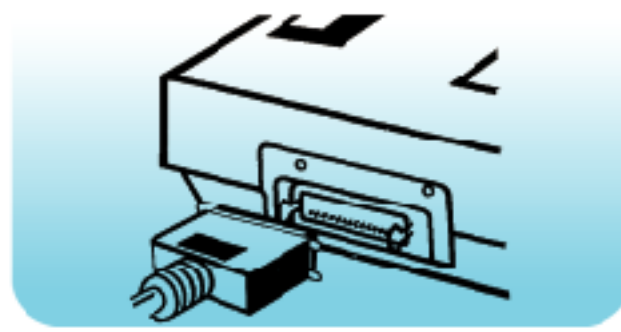
1

Installing your Printer
Power Switch Location



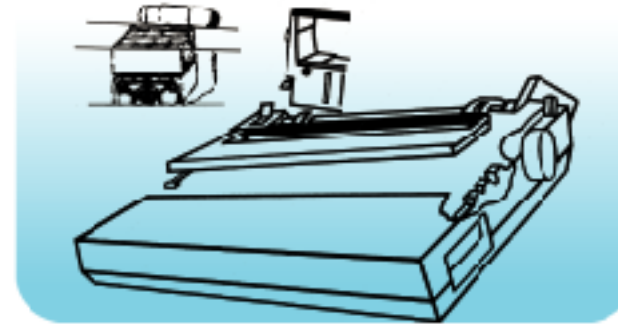
2

Connection Parallel Interface Cable
Components in your printer



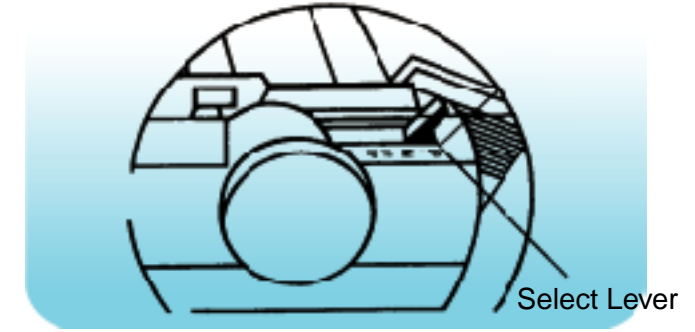
3

Installing the Printer Ribbon



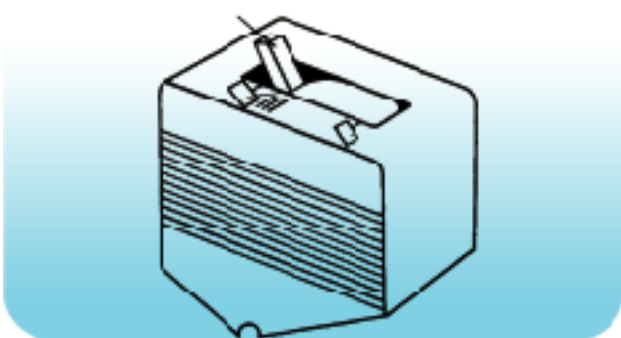
4

Selecting and Loading paper
Paper Select Lever for Continuous feed



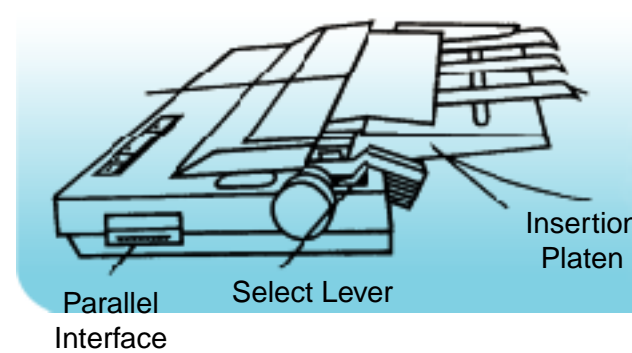
5

Tractor Select Lever

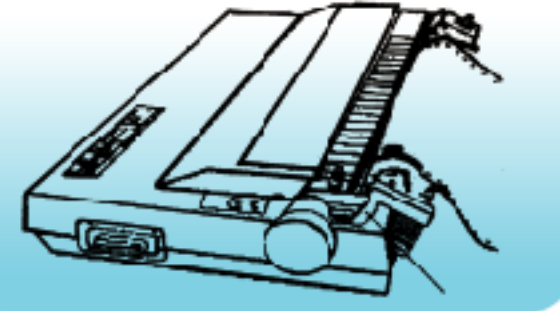


6

Printing Continuous Stationery
in Push Tractor Mode

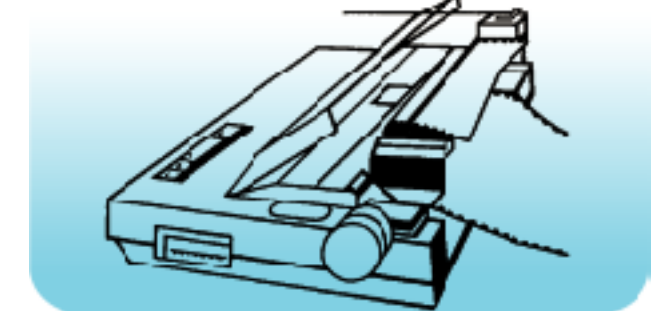


Inserting Continuous
Paper in Push Tractor



7

Printing Continuous Paper
with Tractor Unit in Pull Position



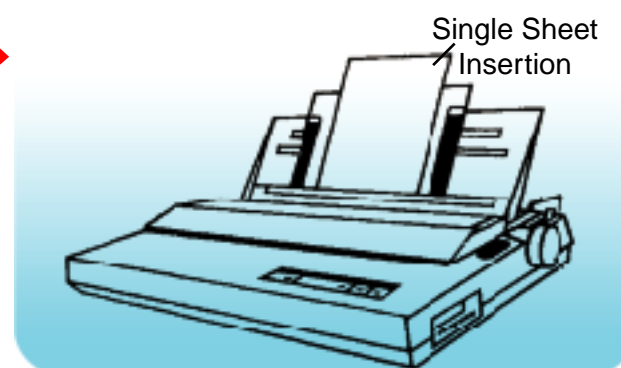
8

Paper Insertion Bottom Feed
(Pull Tractor Option)



9

Printing in Single Sheets



10

MSP 9 wire printer Operating the control panel

Control Panel

- PITCH** to select the size of the character
- FONT** to select a style of the character.
- LF** moves one line forward.
FF moves one page forward.
- ONLINE** light glows, the printer is in Normal Operation Mode.
OFFLINE will pause printing.

MSP 24 wire printer Operating the control panel

- PITCH** to select the size of the character
- FONT** to select a style of the character.
- LF** moves one line forward.
FF moves one page forward.
- ONLINE** light glows, the printer is in Normal Operation Mode.
OFFLINE will pause printing.

Helpful Hints

- Use Normal Density MSP Ribbons for 9 wire Printers. Use of improper ribbon may damage the print head and invalidate the warranty.
- Use only High Density MSP Ribbons for 24 wire Printers. Use of improper ribbon may damage the print head and invalidate the warranty.
- If you are replacing a ribbon be sure the printer is OFF and the print head has cooled.
- Carefully read the instructions for correct ribbon placements. Improper placement can cause smudged printing and may jam the ribbon.
- ONLINE is the printer's normal operating mode. When the printer is ONLINE, it can receive data from your computer and print. When the printer is OFFLINE, it stops printing and responds only to control-panel instructions, such as moving the paper.
- To completely cancel the print job, first cancel the job in your software application. Then clear the data from the printer buffer.
- Because of advanced paper-handling features it is seldom necessary to turn the paper feed knob. More frequently turning the paper feed knob causes misalignment. Use the Control panel instead.
- Paper tear off, top-of-form adjustment and paper parking are not available when using tractor in PULL mode.
- Do not rotate the PLATEN KNOB when the printer is in power ON condition.
- The top margin is usually set by your software. You may not need to change the top-of-form setting very often.
- For serial interface connection you need to install an optional serial interface board. Please contact your nearest TVS-E dealer. Serial interface cable comes with a board.
- If the printer is used heavily or in a dusty environment consult TVS-E service centre for advice on periodic cleaning and lubrication.



Federal Communications Commission (FCC) Requirements, Part 15

This equipment has been tested and found to comply with the limits for a class B digital device, pursuant to part 15 of the FCC Rules. These limits are designed to provide reasonable protection against harmful interference in a residential installation.

This equipment generates, uses and can radiate radio frequency energy and, if not installed and used in accordance with the instructions, may cause harmful interference to radio communications. However, there is no guarantee that interference will not occur in a particular installation. If this equipment does cause harmful interference to radio or television reception, which can be determined by turning the equipment off and on, the user is encouraged to try to correct the interference by one or more of the following measures:

- Reorient or relocate the receiving antenna.**
- Increase the separation between the equipment and receiver.**
- Connect the equipment into an outlet on a circuit different from that to which the receiver is connected.**
- Consult the dealer or an experienced radio/TV technician for help.**

NOTE

THIS MANUFACTURER IS NOT RESPONSIBLE FOR ANY RADIO OR TV INTERFERENCE CAUSED BY UNAUTHORIZED MODIFICATIONS TO THIS EQUIPMENT. SUCH MODIFICATIONS COULD VOID THE USER'S AUTHORITY TO OPERATE THE EQUIPMENT.