

# Library Security Pedestal 3 Clear User's Guide

Revision 2.1

December 2009

---

# Publishing Information

---

## Disclaimer and Limitation of Liability

All information herein is either public information or is the property of and owned solely by TAGSYS who shall have and keep the sole right to file patent applications or any other kind of intellectual property protection in connection with such information.

Nothing herein shall be construed as implying or granting to you any rights, by license, grant or otherwise, under any intellectual and/or industrial property rights of or concerning any of TAGSYS' information.

This document can be used for informational, non-commercial, internal and personal use only provided that:

- The copyright notice below, the confidentiality and proprietary legend and this full warning notice appear in all copies.
- This document shall not be posted on any network computer or broadcast in any media and no modification of any part of this document shall be made.

Use for any other purpose is expressly prohibited and may result in severe civil and criminal liabilities.

The information contained in this document is provided "AS IS" without any warranty of any kind. Unless otherwise expressly agreed in writing, TAGSYS makes no warranty as to the value or accuracy of information contained herein. The document could include technical inaccuracies or typographical errors. Changes are periodically added to the information herein. Furthermore, TAGSYS reserves the right to make any change or improvement in the specifications data, information, and the like described herein, at any time.

Therefore TAGSYS assumes no liability and is not responsible for customer applications or product or software that include TAGSYS products.

TAGSYS HEREBY DISCLAIMS ALL WARRANTIES AND CONDITIONS WITH REGARD TO THE INFORMATION CONTAINED HEREIN, INCLUDING ALL IMPLIED WARRANTIES OF MERCHANTABILITY, FITNESS FOR A PARTICULAR PURPOSE, TITLE AND NON-INFRINGEMENT. IN NO EVENT SHALL TAGSYS BE LIABLE, WHETHER IN CONTRACT, TORT OR OTHERWISE, FOR ANY INDIRECT, SPECIAL OR CONSEQUENTIAL DAMAGES OR ANY DAMAGES WHATSOEVER INCLUDING BUT NOT LIMITED TO DAMAGES RESULTING FROM LOSS OF USE, DATA, PROFITS, REVENUES, OR CUSTOMERS, ARISING OUT OF OR IN CONNECTION WITH THE USE OR PERFORMANCE OF INFORMATION CONTAINED IN THIS DOCUMENT.

TAGSYS does not and shall not warrant that this product/system/equipment will be resistant to all possible attacks, and shall not incur, and disclaims, any liability in this respect. Even if each product is compliant with current security standards in force on the date of their design, security mechanisms' resistance necessarily evolves according to the state-of-the-art in security and notably under the emergence of new attacks. Under no circumstances shall TAGSYS be held liable for any third party actions, and in particular in case of any successful attack against systems or equipment incorporating TAGSYS products.

TAGSYS disclaims any liability with respect to security for direct, indirect, incidental or consequential damages that result from any use of its products. It is further stressed that independent testing and verification by the person using the product is particularly encouraged, especially in any application in which defective, incorrect, or insecure functioning could result in damage to persons or property, denial of service, or loss of privacy.

© 2000-2008 TAGSYS. All rights reserved.

TRADE MARKS. TAGSYS is a registered trademark of TAGSYS S.A, all rights reserved. ARIO, FOLIO and other TAGSYS products referenced in these pages are either trademarks or registered trademarks of TAGSYS S.A. Other products and company names mentioned in these pages may be the trademarks of their respective owners.

Microsoft, Visual C++, Windows, and Windows NT are either registered trademarks or trademarks of Microsoft Corporation in the U.S.A. and/or other countries.

I-Code is a registered trademark of NXP.

Tag-It is a registered trademark of Texas Instruments.

Printed in France.

**TAGSYS – 180 Chemin de St Lambert, F-13821 LA PENNE SUR HUVEAUNE, France.**  
**Tel: +33 (0) 4.91.27.57.00 / fax: +33 (0) 4.91.27.57.01**  
**Document Reference: DOC12984B1**

# Read This First

Welcome to the TAGSYS L-SP3 Electronic Article Detection system. This user's guide is designed to help you get up and running quickly using this high-quality Radio Frequency Identification (RFID) Anti-Theft system. It describes all you need to know about how to install and use the TAGSYS EAS/AFI system and its associated applications.

It provides a step-by-step guide for the following procedures:



- Installation of the L-SP3 EAS/AFI Detection and RFID Data Retrieval system
- Configuring the system for use in your library
- Personalizing your product with your own preference settings

After you become familiar with the basic functions of the product, you can use the rest of this handbook as a reference for less common tasks, for maintaining your system, and also as a source of information if you have problems operating the system.

This End User's Guide is designed for all CIT (Certified Integrators by TAGSYS) and for TAGSYS Expert Network customers implementing a low-cost and high-performance RFID solution.

This document does not assume any in-depth knowledge of Radio Frequency Identification (RFID) technology, but personnel in charge of pedestal installation need to follow a minimum training or have previous experience in RFID equipment installation.

## Conventions

Symbol	Meaning
	<p><b>CAUTION:</b> A note that advises users that a specific action could result in loss of data or damage the hardware.</p> <p><b>WARNING:</b> A note that advises users that a specific action may result in physical harm.</p>
	<p>A note that provides additional information that helps the user performing a task or obtaining the most out of the product.</p>

## If you need assistance

Please contact your nearest TAGSYS sales representative or the TAGSYS Welcome Desk at:

Telephone: +33 (0) 4 91 27 57 00  
Fax: +33 (0) 4 91 27 57 01  
E-Mail: [info@tagsysrfid.com](mailto:info@tagsysrfid.com)  
Website: <http://www.tagsysrfid.com>

## Contact for Comments

We welcome your feedback to help us provide high quality documentation.

For technical comments, please contact our Welcome Desk:

Telephone: +33 (0) 4 91 27 57 00  
Fax: +33 (0) 4 91 27 57 01  
E-Mail: [info@tagsysrfid.com](mailto:info@tagsysrfid.com)

Please remember to quote the Document Reference number [DOC12984B1](#), your job title and your company.

## Quality Issues

TAGSYS implements stringent quality controls at all stages of its manufacturing process. However, should you find a defect with this product, please notify your TAGSYS Quality Service representative using the dedicated Product Return Form.

Telephone: +33 (0) 4 91 27 57 00  
Fax: +33 (0) 4 91 27 57 02  
E-Mail: [RMA@tagsysrfid.com](mailto:RMA@tagsysrfid.com)

---

# Table of Contents

<b>PUBLISHING INFORMATION</b>	<b>2</b>
DISCLAIMER AND LIMITATION OF LIABILITY	2
<b>READ THIS FIRST</b>	<b>3</b>
CONVENTIONS	3
IF YOU NEED ASSISTANCE	4
CONTACT FOR COMMENTS	4
QUALITY ISSUES	4
<b>LIST OF FIGURES</b>	<b>8</b>
<b>LIST OF TABLES</b>	<b>9</b>
<b>1 FOR YOUR SAFETY</b>	<b>10</b>
1.1 GENERAL USE	10
1.2 CARE AND MAINTENANCE	10
1.3 IMPORTANT SAFETY INFORMATION	11
1.3.1 OPERATING ENVIRONMENT	11
<b>2 CERTIFICATION</b>	<b>12</b>
2.1 OCCUPATIONAL HEALTH	12
2.1.1 PUBLIC EXPOSURE	12
2.1.2 EMPLOYEES EXPOSURE	12
2.2 SAFETY NOTICES	12
2.3 REGULATORY NOTICES	12
2.3.1 IN EUROPE (CE AND RTTE DIRECTIVES)	13
2.3.2 IN USA (FCC DIRECTIVE)	14
<b>3 SYSTEM OVERVIEW</b>	<b>16</b>
3.1 FEATURES	16
3.2 BRIEF L-SP3 DESCRIPTION	17
<b>4 INSTALLATION</b>	<b>19</b>
4.1 RECOMMENDATIONS BEFORE INSTALLATION	19
4.1.1 WIRE FEED SHEATHS	19
4.1.2 ELECTRICAL SAFETY RULES	20
4.1.3 NETWORK CABLE INSTALLATION	20
4.2 L-SP3 RFID SYSTEM COMPONENTS	21
4.3 L-SP3 PEDESTAL	21
4.3.1 TOOLS REQUIRED	21

4.3.2	PLACEMENT OF PEDESTALS	21
4.3.3	INSTALLING THE PEDESTAL	22
<b>5</b>	<b>CONFIGURATION</b>	<b>28</b>
5.1	CHIP CONFIGURATION	28
5.1.1	SCANNING DURATION PER PEDESTAL	28
5.1.2	GLOBAL SCANNING DURATION	28
5.1.3	EAS MODE VERSUS AFI MODE	29
5.2	UNDERSTANDING THE L-SP3 SYNCHRONIZATION PROCESS	29
5.2.1	STANDARD SYNCHRONIZATION MODE	29
5.2.2	WIRELESS SYNCHRONIZATION	31
5.2.3	SYNCHRONIZATION BY A PAIR OF WIRES	31
5.3	PARAMETERS CONFIGURATION OF THE ETHERNET INTERFACE	35
5.4	CONFIGURATION OF THE L-SP3	35
5.4.1	INSTALLING THE CONFIGURATION SOFTWARE	35
5.4.2	COMMUNICATION CONFIGURATION	38
5.4.3	TCP/IP CONFIGURATION AND FIRMWARE UPGRADE	40
5.4.4	MONITORING PEDESTAL ACTIVITY	41
5.4.5	BASIC PEDESTAL CONFIGURATION	45
5.4.6	ADVANCED PEDESTAL CONFIGURATION	52
5.5	PEOPLE COUNTER & BUZZER SOUND MANAGEMENT	55
5.5.1	RESETTING THE COUNTER DISPLAY	55
5.5.2	RESETTING THE REMOTE PEOPLE COUNTER	55
5.5.3	ADJUSTING THE LEVEL OF THE BUZZER SOUND	55
<b>6</b>	<b>OPERATION</b>	<b>56</b>
6.1	THEORY OF OPERATION	56
6.2	STARTING THE SYSTEM	56
6.3	NORMAL OPERATION	56
6.4	SHUTDOWN	56
<b>7</b>	<b>MAINTENANCE</b>	<b>57</b>
7.1	SERVICING THE PEDESTALS	57
7.2	SERVICING THE ELECTRONICS UNIT	57
<b>8</b>	<b>TROUBLESHOOTING</b>	<b>59</b>
8.1	SOURCES OF INTERFERENCE	59
<b>9</b>	<b>TECHNICAL SPECIFICATIONS</b>	<b>61</b>
9.1	MECHANICAL DATA	61
9.2	ELECTRICAL DATA	61
9.3	LSP3 CLEAR MECHANICAL DRAWINGS	61
<b>10</b>	<b>PERFORMANCE TEST</b>	<b>63</b>
10.1	TEST CONDITIONS	63

---

10.2	TEST PROCEDURE	63
<b>11</b>	<b>WARRANTY CONDITIONS</b>	<b>65</b>
11.1	WARRANTY EXCLUSIONS	65
11.2	GENERAL PROVISIONS	66
11.3	HOW TO RETURN DEFECTIVE PRODUCTS	66

# List of Figures

<b>Figure 1: FCC maximum Power and Region settings (Uplink Data Rate)</b>	<b>15</b>
<b>Figure 2: LSP3 Clear Panel Overview</b>	<b>17</b>
<b>Figure 3: Safety Electrical Installation Using Power Cord</b>	<b>20</b>
<b>Figure 4: Clearance Distances around Pedestals</b>	<b>22</b>
<b>Figure 5: Light Barrier Orange and Green LED Lit when positioning Correct</b>	<b>23</b>
<b>Figure 6: Top view of correct L-SP3 installation and In/Out Counter Directions</b>	<b>24</b>
<b>Figure 7: People Counter View when facing light barrier and counter display</b>	<b>24</b>
<b>Figure 8: Light Beam Crossing Detection Cells &amp; Display</b>	<b>24</b>
<b>Figure 9: Side view of correct L-SP3 installation</b>	<b>25</b>
<b>Figure 10: Pedestal Mountings</b>	<b>26</b>
<b>Figure 11: L-SP3 Clear Bottom Plastic Cover (4 screws)</b>	<b>26</b>
<b>Figure 12: Chronogram Sample (1 Master/ 4 Slaves)</b>	<b>29</b>
<b>Figure 13: 3 Pedestals Configuration Example and Token Propagation</b>	<b>31</b>
<b>Figure 14: Detailed of Wire Synchronization Assembly</b>	<b>32</b>
<b>Figure 15: PEM Connectors &amp; Cables Location</b>	<b>33</b>
<b>Figure 16: Advanced Settings Tab Sections and Fields</b>	<b>34</b>
<b>Figure 17: Communication Configuration Tab (connected to a L-SP3)</b>	<b>38</b>
<b>Figure 18: TCP/IP Configuration Window</b>	<b>39</b>
<b>Figure 19: TCP/IP Configuration and Firmware Upgrade Tab</b>	<b>40</b>
<b>Figure 20: Pedestal Monitoring Tab</b>	<b>41</b>
<b>Figure 21: Database Window</b>	<b>44</b>
<b>Figure 22: Basic Pedestal Configuration Tab</b>	<b>45</b>
<b>Figure 23: Multi-gate configuration with two different IDs</b>	<b>47</b>
<b>Figure 24: GPIO Pulse &amp; Pause Field</b>	<b>48</b>
<b>Figure 25: Peripherals &amp; GPIO Green Connector Pin Out &amp; Location</b>	<b>48</b>
<b>Figure 26: Internal Circuit of GPIO and External Supply Wiring in Output Mode</b>	<b>49</b>
<b>Figure 27: Connection of a Switch as an Input Device.</b>	<b>50</b>
<b>Figure 28: Connection of a Source and Sink Current Supply as an input Device</b>	<b>51</b>
<b>Figure 29: Advanced Pedestal Configuration Tab</b>	<b>52</b>
<b>Figure 30: Master/Slaves Synchronization Antenna Best Configuration</b>	<b>53</b>
<b>Figure 31: Asynchronous Event Notification Subfield.</b>	<b>54</b>
<b>Figure 32: People Counter &amp; Detection Cells Location</b>	<b>55</b>
<b>Figure 33: Mains Fuses Location and Ratings</b>	<b>57</b>
<b>Figure 34: Mechanical Dimensions of Pedestal Base Fixing Plate</b>	<b>61</b>
<b>Figure 35: Outer Dimensions of LSP3 Clear Panel</b>	<b>62</b>
<b>Figure 36: Tag Orientation</b>	<b>63</b>
<b>Figure 37: Example</b>	<b>63</b>
<b>Figure 38: Test Chart</b>	<b>64</b>



---

# List of Tables

---

<b>Table 1: L-SP3 System Components</b>	<b>21</b>
<b>Table 2: Description of Buzzer &amp; Counter board Components</b>	<b>25</b>
<b>Table 3: Scanning Duration No Tag in field</b>	<b>28</b>
<b>Table 4: Global scanning duration versus Synchronisation mode</b>	<b>28</b>
<b>Table 5: GPIO Pins - Electrical Characteristics Max Ratings</b>	<b>49</b>
<b>Table 6: Troubleshooting Table</b>	<b>59</b>

# 1 For Your Safety

## 1.1 General Use

The L-SP3 is designed to be rugged and reliable and to provide years of trouble-free service. Please observe the following general tips:

- Take care not to scratch the device. Keep the device clean. When working with the device, use only TAGSYS-approved accessories.
- This device is not waterproof and should not be exposed to rain or moisture. Under extreme conditions, water may enter the circuitry.
- Protect the device from extreme temperatures. For example, do not place the device in a windowed area where the sun may cause extreme temperatures, and keep it away from heaters and other heat sources.
- Do not store or use the device in any location that is extremely dusty, damp, or wet.
- Use a soft, damp cloth to clean the device. If the surface of the device becomes soiled, clean it with a soft cloth moistened with a diluted window-cleaning solution.

## 1.2 Care and Maintenance

This device is a high end design and should be handled with care to maintain its appearance in public locations. The suggestions below will further increase the lifetime and day to day appearance of this device.

- Keep the device dry. Precipitation, humidity and liquids contain minerals that will corrode electronic circuits and tarnish transparent plastic parts.
- Do not store the device in dusty, dirty areas. Its moving parts can be damaged.
- Regularly dust the large transparent part using a soft cloth and antistatic liquid.
- Do not store in hot areas. High temperatures can shorten the life of electronic devices, damage batteries and warp or melt certain plastics.
- Do not store in cold areas. When the device warms up (to its normal temperature), moisture can form inside the device, which may damage electronic circuit boards.
- Do not attempt to open the device during operation, outside installation and maintenance periods. Non-professional handling of the device may damage it.
- Handle the device with care. Shocks may break internal circuit boards.
- Do not paint the device. Paint may clog the device's moving parts and prevent proper operation. Paint with metallic contents may limit device performances.
- If the device or any accessory are not working properly, take it to your nearest qualified TAGSYS representative.



**Do not clean the device, particularly the transparent plastic parts, with harsh chemicals, cleaning solvents or strong detergents. Gently wipe the device with a soft cloth slightly dampened in a mild soap-and-water solution. Eliminate any residual moisture with another clean and wet soft cloth.**

**Also regularly apply specific antistatic products for Acrylic Surfaces.**

---

## **1.3 Important Safety Information**

### **1.3.1 Operating Environment**

When connecting the device or any accessory to another device, read its user's guide for detailed safety instructions. Do not connect incompatible products.

As with any RF equipment, users are advised that the equipment should only be used in its normal operating position.

## 2 Certification

---

### 2.1 Occupational Health

TAGSYS L-SP3 EAS System has been designed and tested to be in conformity with the European Standard EN 50364 “Limitation of human exposure to electromagnetic fields from devices used in Electronic Article Surveillance (EAS), Radio Frequency Identification (RFID) and similar applications” in conjunction with the European Standard EN 50357 describing how to evaluate the exposure level.

#### 2.1.1 Public Exposure

The Library RFID pedestals are designed assuming that patrons cross the detection area within a couple of seconds on their way in and out of the Library at a normal walking pace. General public should not stand in the detection area for more than 10 to 20 seconds.



**Librarian should make sure that nobody stands still in the Gate Detection Area in between two RFID Pedestals to avoid unnecessary prolonged Exposure to Electromagnetic Field.**

---

#### 2.1.2 Employees Exposure

The operators are located apart from the principal detection zone and as a matter of fact, not subject to exposure.

(Please see section [4.3.2 “Placement of Pedestals”](#))



**For servicing operations it is recommended to deactivate the RFID system.**

---

### 2.2 Safety Notices

The L-SP3 has been tested to be in conformity with the EN standard 60950-1: “Information Technology Equipment Safety”

It is the responsibility of the CIT (Certified Integrators by TAGSYS) to install the L-SP3 as described in TAGSYS Product Manuals or TAGSYS Documentation.

Modification of any TAGSYS Library System is prohibited without the written consent of TAGSYS. Unauthorized modifications may void the conformity of the equipment to safety specifications and will void the TAGSYS warranty.

### 2.3 Regulatory Notices

An RFID system typically composed of an RF emission device such as the L-SP3 connected to an antenna is subject to national regulations that may differ by country.

One important item to consider is the maximum permissible magnetic field intensity at a distance of 10 meters from the antenna that must not exceed 60dB $\mu$ A/m in Europe and 38dB $\mu$ A/m in US.

The L-SP3 meets these limits.

---

### 2.3.1 In Europe (CE and RTTE Directives)

The L-SP3 complies (CE Declaration of Conformity granted) with the European EMC directive.

The L-SP3 complies with the requirements of the Telecommunication Terminal Equipment Act (FTEG) and the RTTE Directive 1995/5/EC.

It is the responsibility of the TAGSYS Reseller to install the L-SP3 as described in this User's Guide or TAGSYS Documentation.

Any modification of the L-SP3 is prohibited without the written consent of TAGSYS. Unauthorized modifications may void the conformity of the equipment to CE and RTTE Directives and will void the TAGSYS warranty.



**It is the responsibility of the CIT (Certified Integrators by TAGSYS) to install the L-SP3 as described in this Reference Guide or in TAGSYS Documentation.**

**If an L-SP3 is further integrated in a different product, it is the responsibility of the manufacturer of this complementary product to obtain the required approvals for this product.**

---

## 2.3.2 In USA (FCC Directive)

### **L-SP3 Clear**

*WARNING TO USERS IN THE UNITED STATES*  
FEDERAL COMMUNICATIONS COMMISSION (FCC) RADIO  
INTERFERENCE STATEMENT 47 CFR Section 15.105(b)

This equipment has been tested and found to comply with the limits for a Class B digital device, pursuant to Part 15 of the FCC Rules. These limits are designed to provide reasonable protection against harmful interference in a residential installation. This equipment generates uses and can radiate radio frequency energy and if not installed and used in accordance with the instructions may cause harmful interference to radio communications. However, there is no guarantee that interference will not occur in a particular installation. If this equipment does cause harmful interference to radio or television reception, which can be determined by turning the equipment off and on, the user is encouraged to try to correct the interference by one or more of the following measures:

- Reorient or relocate the receiving antenna.
- Increase the separation between the equipment and receiver.
- Connect the equipment into an outlet on a circuit different to that to which the receiver is connected.
- Consult the dealer or an experienced radio/TV technician for help.

#### **NO UNAUTHORIZED MODIFICATIONS**

47 CFR Sections 15.21

**CAUTION:** This equipment may not be modified, altered, or changed in any way without signed written permission from TAGSYS SA. Unauthorized modification may void the equipment authorization from the FCC and will void the TAGSYS warranty.

#### **ANTENNA REQUIREMENT**

47 CFR Sections 15.203

**CAUTION:** This equipment must be professionally installed. The installer shall be responsible for ensuring that the proper antenna is employed so that the limits in this part are not exceeded. Non-professional installation or installation of the equipment with an improper antenna may void the equipment authorization from the FCC and will void the TAGSYS warranty.

The L-SP3 has been designed to comply with Part 15 of the FCC Rules.

Operation is subject to the following two conditions: (1) The system devices may not cause harmful interference, and (2) The library system devices must accept any interference received, including interference that may cause undesired operation.

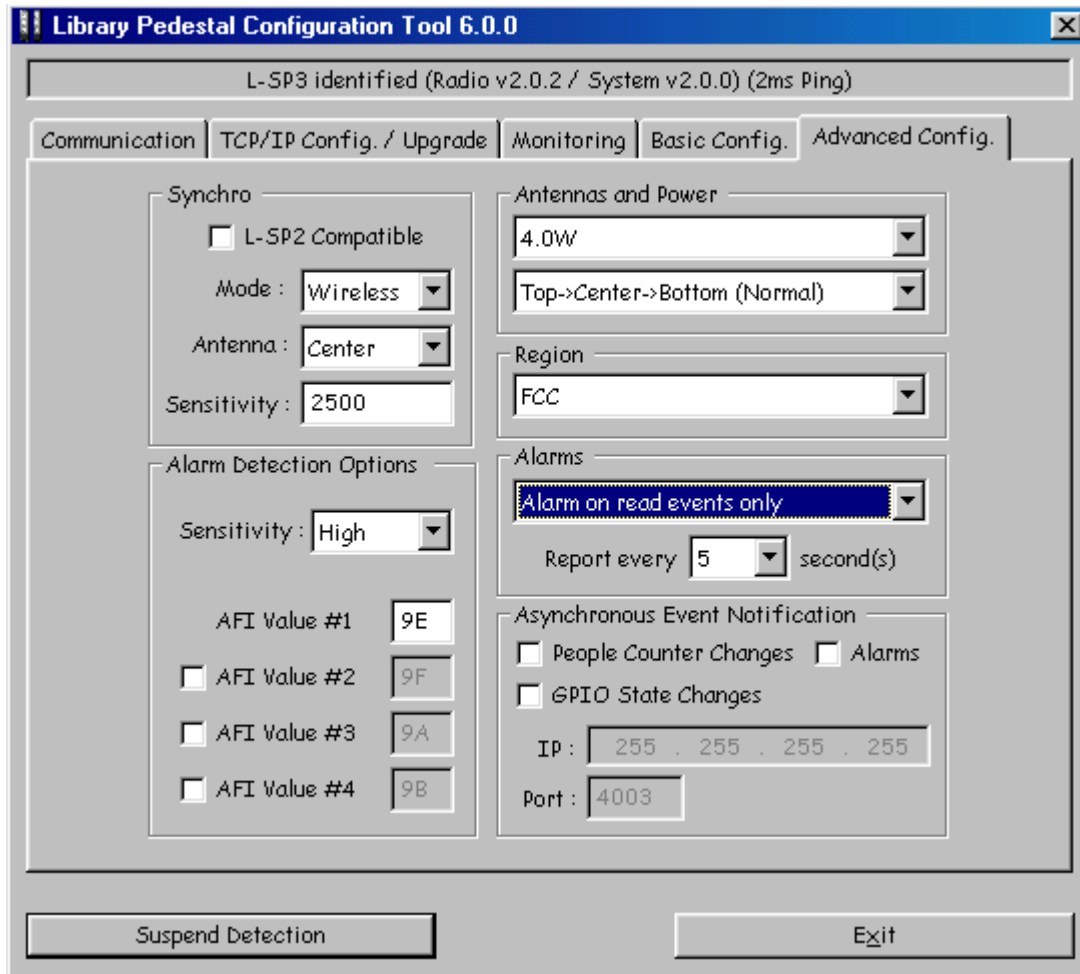


Figure 1: FCC maximum Power and Region settings (Uplink Data Rate)



**CAUTION:** In any case, for operational configuration this value should not exceed 4W to be in compliance with FCC. The “Antennas and Power” parameter in “Advanced Configuration” Tab does not allow setting a higher power value than 4.0W at most. Please see above [Figure 1: FCC maximum Power and Region settings](#).



**CAUTION:** ISO15693 uplink data rate you should not exceed 1.65kb/s in order to comply with FCC standard certification. To do so, set the “Region” parameter in “Advance Configuration” Tab to “FCC”. See above [Figure 1: FCC maximum Power and Region settings](#).

# 3 System Overview

---

## 3.1 Features

Being a standalone solution, TAGSYS security pedestal do not need to be linked to the library database, and can still operate when the Integrated Library System (ILS) is down or under maintenance. The security pedestal does not require additional equipment to operate.

The L-SP3 pedestal features:

- Multi-protocol features which makes it compatible with ISO15693 chips
- NXP proprietary EAS mode supported for the C370 (NXP SLI), C370-L (NXP SLI-L) chips
- AFI mode supported, with configurable AFI value (Multiple AFI values, up to 4)
- TAGSYS proprietary C220/C320 EAS burst detection support
- TAGSYS proprietary C320 256 bits memory reading in NSNT single tag mode.
- Multiple items Read-Memory supported in EAS mode for C370 (NXP SLI), C370-L (NXP SLI-L)
- Standard Multiple items Read-Memory supported in AFI mode using the optional command Read Multiple Blocks as described by the ISO15693-3
- Enhanced Multiple items Read-Memory supported in AFI mode for C370 (NXP SLI), C370-L (NXP SLI-L), Tag-it <sup>TM</sup>HFI (Texas Instruments) chips, LRI-2K (STM).
- Read-Memory Data Model: up to 896-bits (28 blocks of 32bits)
- One electronic system block embedded into bottom of Pedestal
- A remotely accessible people counter based on dual photoelectric sensors coupled to a reflector, allowing in and out traffic monitoring.
- Ethernet Networking Link communication for set up, database and patron counter value retrieval
- Asynchronous Event Notification over the Network: pedestal sends automatically data upon Book Detection, Patron Counter change, GPIO level change or Pedestal fault detection.
- Trigger input to quickly power up and down remotely the pedestals using light cells before and after the pedestal area. This lowers down the radio emission levels to the strict minimum necessary.
- One Extra Open Drain Output to drive External Alarm Device: Webcam, Extra Remote Display or Sound

This is a cost effective security system as it only requires a single RFID tag for both anti-theft and identification purposes.



---

### 3.2 Brief L-SP3 Description



Figure 2: LSP3 Clear Panel Overview

The components of the L-SP3 EAS system are contained within the L-SP3 pedestal. At least two pedestals are required for each EAS gate. A set of pedestals is known as a gate and may consist of several pedestals. Please see section 4 "[Installation](#)" for more information.

The L-SP3 is built in a one frame:

- An L-SP3 Electronics unit is used to control each pedestal. This electronics unit generates the RF signal transmitted by the antennas and picks up the reply from the RFID tag. If an activated RFID tag is detected, the electronics unit will activate the LED/buzzer alarm
- These antennas are sensitive receivers used to detect the theft bit status and the AFI value of the RFID tag as it passes through the EAS gate
- Visual and audible warning devices
- A remotely accessible people counter equipped with dual light barrier photoelectric sensors.

To operate, the L-SP3 will only need an IEC power supply cable, avoiding unnecessary mains cable wiring up.

An IEC Mains Supply Cord Outlet is available to allow daisy chaining. A series of up to 5 pedestals can be powered up from a single wall socket.

---

# 4 Installation

---

## 4.1 Recommendations before Installation

### 4.1.1 Wire Feed Sheaths

Within the framework installation you need at least a power supply cable sheath and an Ethernet cable sheath to connect to the Ethernet network. These sheathed cables will be located at the bottom center of the pedestal as shown in [Figure 10](#).

If needed according to the installation configuration, extra sheathed cables need to be placed for wire synchronization, Trigger cable and to remotely switch the RF on & off and I/O cables to drive external devices (Camera, Remote alarms...).

The L-SP3 is delivered without any IEC terminated plug power supply cable or Telecommunication cable. It is up to the Local installation personnel to use the appropriate IEC Power Cord according to local electrical regulations.



**Use appropriate IEC power cord according to the local regulations to power up and interconnect the pedestals.**

---



**The Power Supply Cord is the LSP3 Product Main Disconnecting Device, It should be easily accessible at any time to Disconnect the pedestals from the mains power supply.**

---

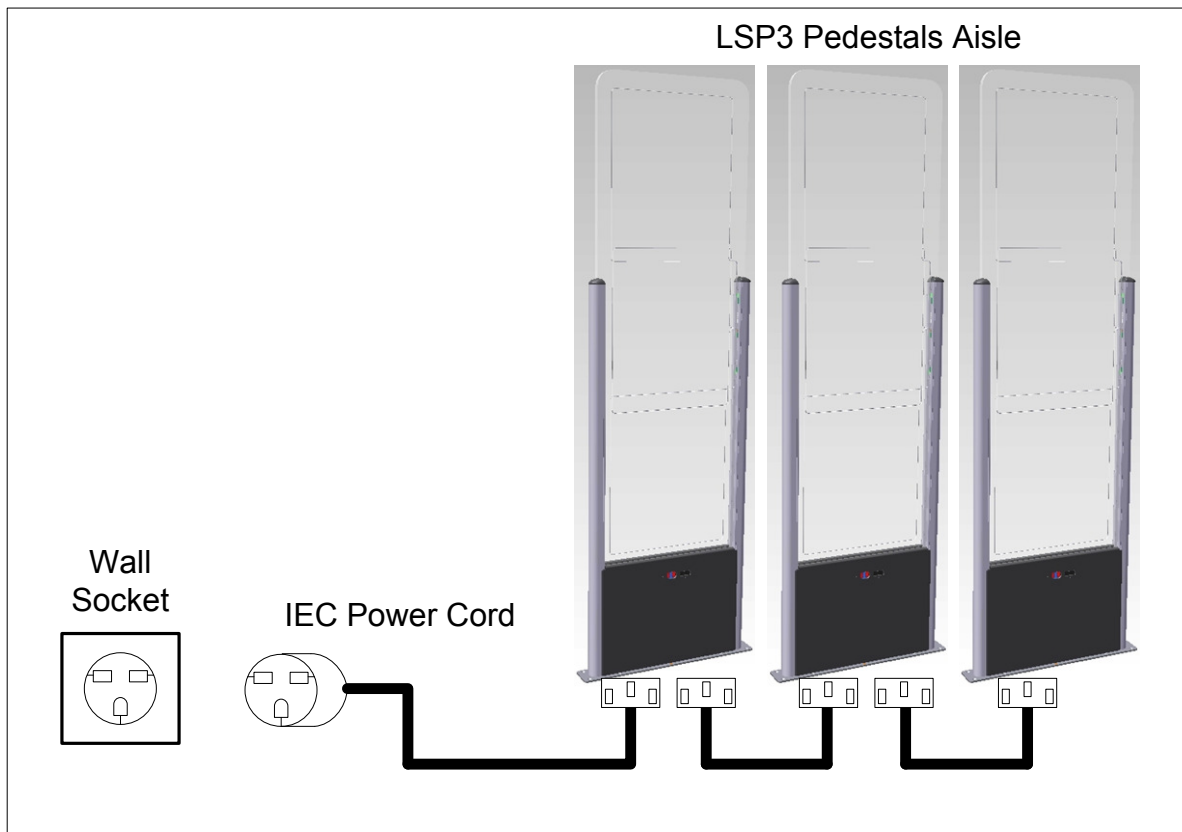
## 4.1.2 Electrical Safety Rules

The L-SP3 is powered up via a Mains Supply IEC Cord.

A group of up to 5 Pedestals can be daisy chained and powered via a single IEC power cord connected to a wall socket. The mains wall socket should provide at least 2 Ampere and be protected by a differential circuit breaker limiting the current to 5 Ampere maximum.

Figure 3 here below shows how to connect the L-SP3 pedestals to the mains.

Figure 3: Safety Electrical Installation Using Power Cord



**The electrical installation must be carried on by qualified personnel only. For each country where installation takes place, an adequate IEC power supply Cord must be used, fitting the local wall socket layout.**

## 4.1.3 Network cable installation

The L-SP3 Pedestal delivery package does not include an Ethernet cable to connect to a Local Area Network for remote operation. We recommend the use of a Shielded Ethernet cable, UTP-Cat 5.

---

## 4.2 L-SP3 RFID System Components

The components included in the L-SP3 RFID System package are listed in [Table 1](#)

Table 1: L-SP3 System Components

Quantity	Description
1	<b>L-SP3 Pedestal</b>
8	<b>40 mm Philips-head, countersunk screws with a diameter of 6 mm</b>
1	<b>2 ways 3.81mm Green Screw Tightening Plugs Vertical Cable Entry for Synchronization Cable</b>
1	<b>4 ways 3.81mm Green Push-On Plugs Vertical Cable Entry for I/O Wiring</b>

## 4.3 L-SP3 Pedestal



**CAUTION:** This equipment is intended for indoor use only under the conditions described in this document. Should it be used outside these conditions cannot be guaranteed, and is not recommended. Please read section 1 “[Publishing Information](#)” before installation or use.

---

### 4.3.1 Tools Required

The following tools are required during installation:

- Measuring Tape
- Square
- Hand Drilling Machine with 4 mm, 8-mm and 19-mm drilling bits
- Philips-head screwdriver
- Spirit Level

### 4.3.2 Placement of Pedestals

Pedestals must be mounted between 800mm and 980 mm apart (edge to edge) for maximum reliable performance. There should be at least one pair of pedestals at each entrance/exit point of the library. There should be a pedestal at each edge of the entrance, and a clear space of at least 500 mm around the edge of the pedestals to ensure that the antennas will not be detuned. This clear space must not contain any metallic objects, but may contain some substrates such as non-metallic/non-conductive building materials such as wood, glass, chipboards and plasterboards.



**CAUTION:** In case several Pedestal rows (group of Pedestals) to be installed it is mandatory every L-SP3 being positioned in the same direction (all people counter of each looking toward the same direction). This would prepare the installation for future implementation of direction sensing.

---

Be cautious to properly align the pedestal in order to centre the photoelectric beam sensor on the reflector of the next pedestal.



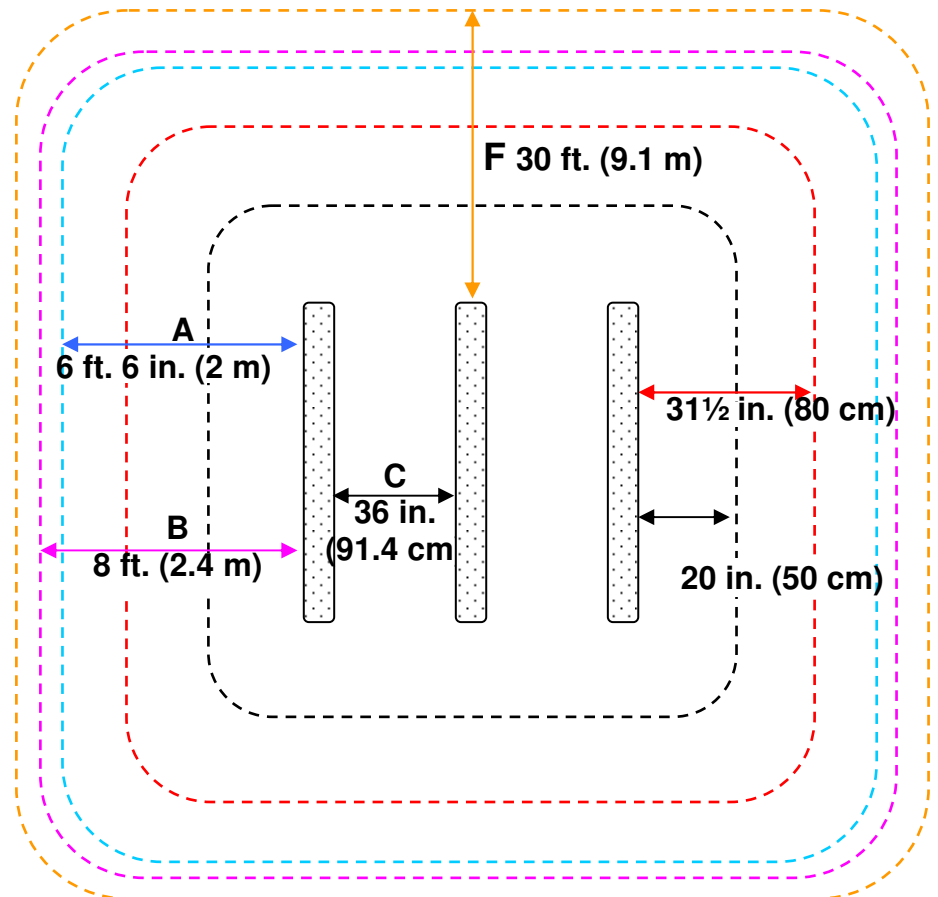
**CAUTION:** Each L-SP3 should be installed within following tolerances:  
**Horizontal angular alignment tolerance with reference to pedestals alignment:  $0^\circ \pm 2^\circ$**   
**Vertical angular tolerance with reference to ground surface :  $90^\circ \pm 1^\circ$**



**CAUTION:** Each L-SP3 must be installed at least 2 meters away from sliding doors. Metal frames do pick up & radiate stray Radio ham electromagnetic field which can lead to false triggering. Prior to installation a site survey is highly recommended.

Figure 4: Clearance Distances around Pedestals

- A:** Indicates the distance (6 ft. 6in.) to a permanent librarian position.
- B:** Indicates the distance (8 ft.) from other RFID stations.
- C:** Indicates the recommended distance (36 in. face panel to face panel) between pedestals.
- D:** Indicates the minimum distance (31½ in.) between a pedestal and large metal object.
- E:** Indicates the minimum distance (20 in.) between a pedestal and small metal object.
- F:** Indicates the minimum distance (30 ft.) between Master pedestals (specific synchronization ID, see section 5.2 "Understanding the L-SP3 Synchronization Process").



### 4.3.3 Installing the Pedestal

Once the L-SP3 will be powered, the photoelectric sensors will emit a red light beam. To precisely align the sensors and the reflector, an orange LED is present on the back of the photoelectric sensor. When the orange LED is continuously on, the sensor and the reflector are perfectly aligned.

To see these LED, one must first unscrew the Plastic Bottom Cover covering the dual cells (see picture of [5.5.1 Resetting the Counter Display](#)).

On the contrary when the orange LED is blinking or off, then you have to adjust the photoelectric sensor, so that the red light beam is centered with the opposite reflector. This operation is achieved using a white paper to clearly see where the red light beam is pointed at. When perfectly centered, the orange LED will continuously be ON.

On figure 7 below, the two Beam Crossing Cells support is shown. To do a fine adjustment of 2 beams, use a hexagonal key to screw or unscrew the top left screw (to adjust height of beams) and the bottom right screw (to adjust the lateral positioning of the beams). They are spring loaded to improve accuracy and keep in place the two sensors after adjustment.

---

Special attention must be taken for the 2 pedestals positioning:

- They must be positioned facing each others
- They must be parallel
- They must be well aligned and well centered.
- The orange LED must be continuously ON when powered (See Figure 5)
- If the orange LED still blinks when perfectly aligned and centered, check that the spacing does not exceeds the recommended values.
- For correct In & Out counter operation, the pedestals must be placed according to the library flow of patrons. See Figure 6 and Figure 7 for In & Out counting direction.

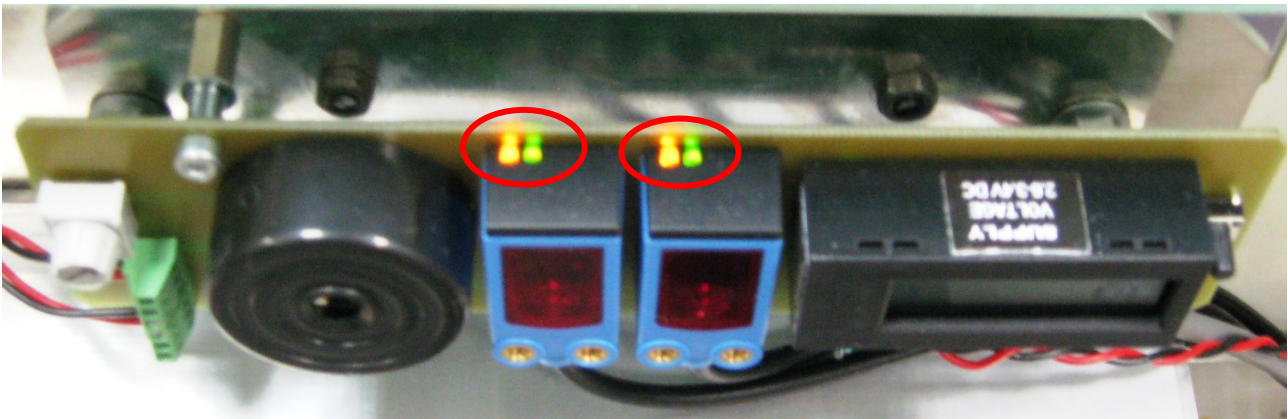


Figure 5: Light Barrier Orange and Green LED Lit when positioning Correct



**Before final Installation, do make sure that the Entrance flow is in line with the in Counter Increment Direction Described in Figures Figure 6 and Figure 7.**

**There is no mean to change the In & Out Counter Direction by software afterward.**

---

Then the 2 pedestals can be secured to the ground.

A good positioning will ensure the two red LED beams to be back scattered by the reflector as shown below. See Figure 5 for LED positioning.



Figure 6: Top view of correct L-SP3 installation and In/Out Counter Directions

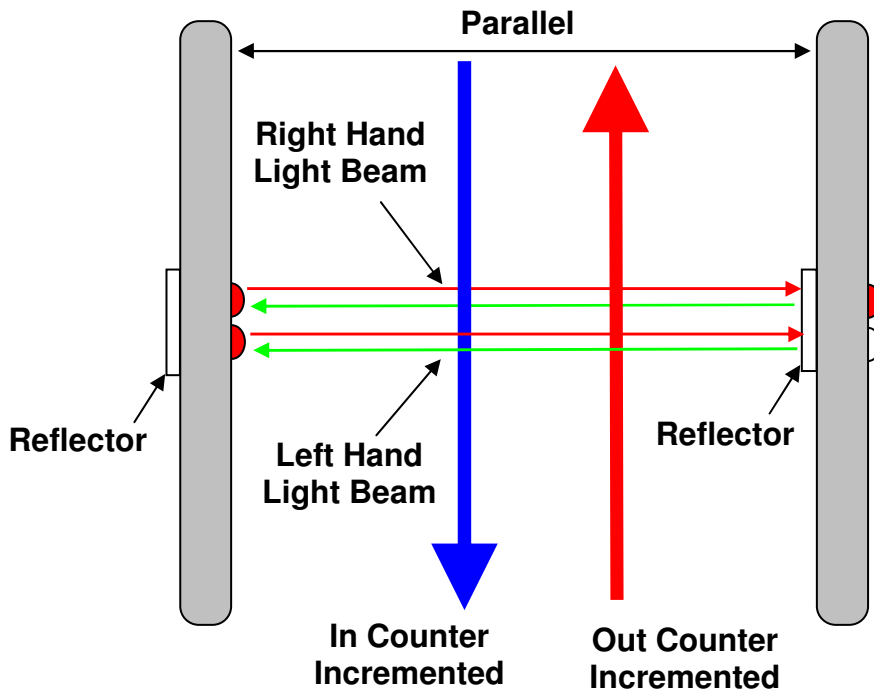


Figure 7: People Counter View when facing light barrier and counter display

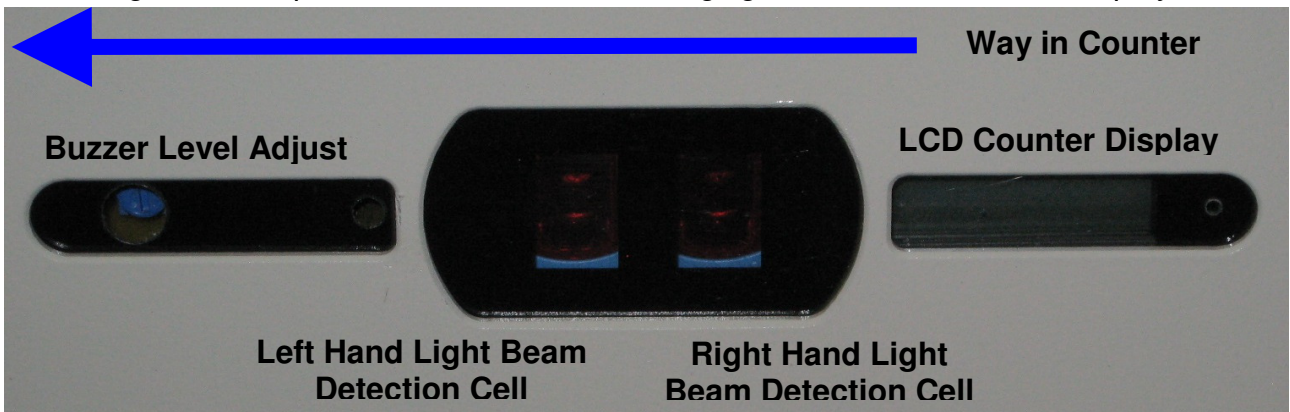


Figure 8: Light Beam Crossing Detection Cells & Display

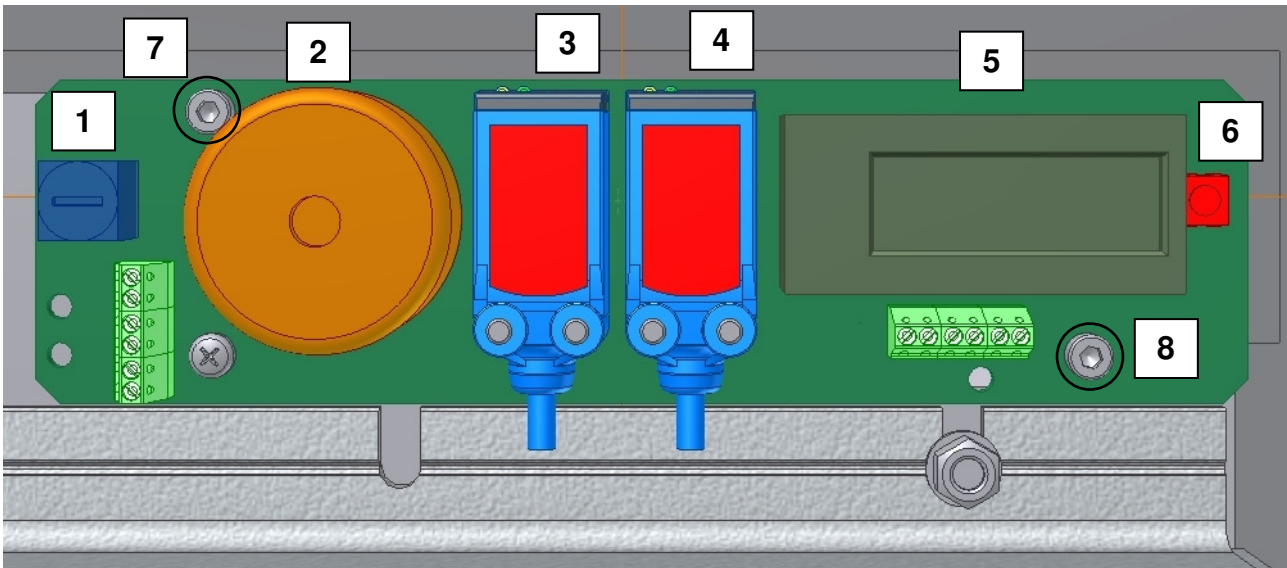


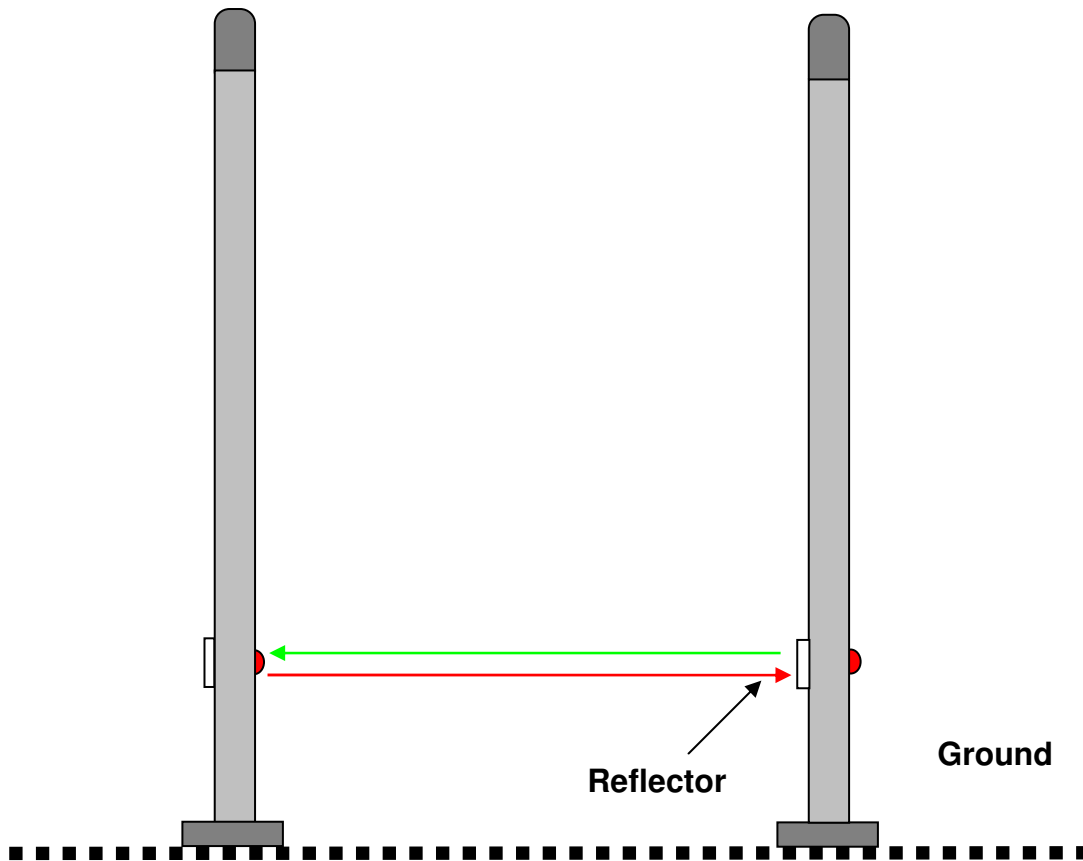


Table 2: Description of Buzzer & Counter board Components

Reference n°	Designation
1	Buzzer Volume Adjustment
2	Buzzer
3	Photoelectric Reflex Switch Red Beam
4	Photoelectric Reflex Switch Red Beam
5	LCD Display & Counter
6	Counter Reset Push Button
7	Hexagonal Screw for Light Beam Vertical Alignment
8	Hexagonal Screw for Light Beam Horizontal Alignment

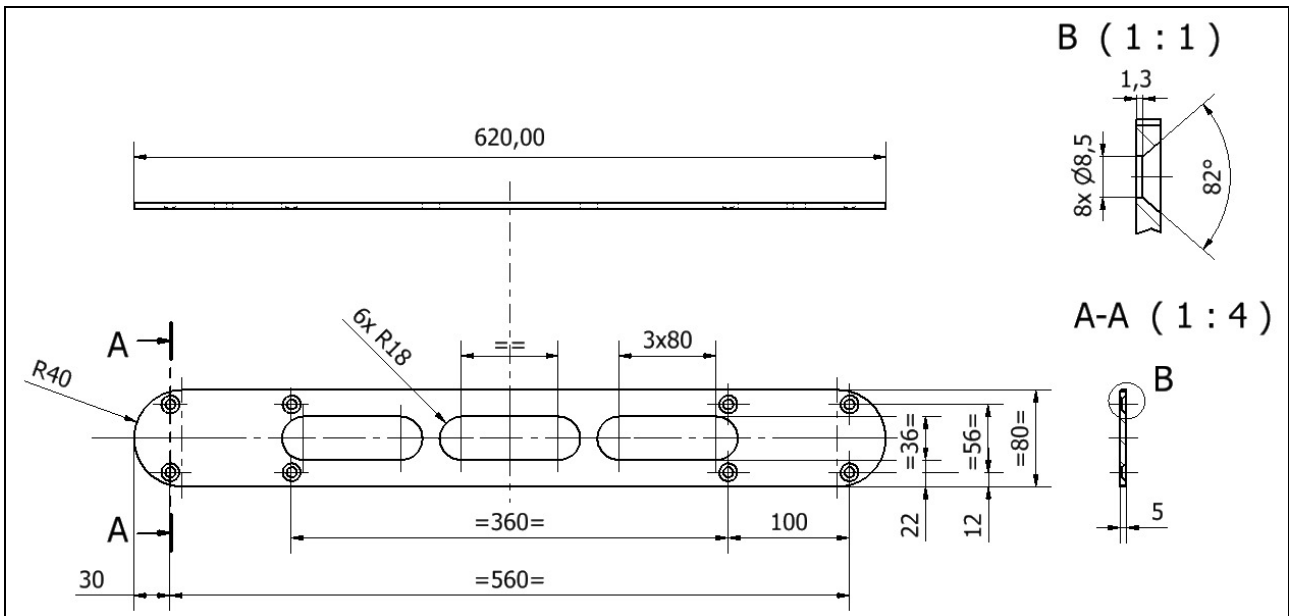
On Figure 8 above, the two Beam Crossing Cells support is shown. To do a fine adjustment of the 2 beams, use a hexagonal key to screw or unscrew the top left screw (to adjust height of beams ref 7 circled) and the bottom right screw (to adjust the lateral positioning of the beams ref 8 circled). They are spring loaded to improve accuracy and keep in place the two sensors after adjustment.

Figure 9: Side view of correct L-SP3 installation



After having defined the location of the pedestals, refer to the mechanical drawing of the pedestal-mounting diagram (Figure 10). The pedestal is fastened to the floor using screws that are strong enough to support the weight of an average adult falling against the pedestal.

Figure 10: Pedestal Mountings



1. Identify and mark the location of the holes to be drilled for mounting the pedestal to the ground. The use of a tape measure and a square is recommended.
2. Drill the cable access and mounting holes according to the type of ground surface:
  - a. Wooden floor: Drill eight holes with a diameter of 4 mm for the mounting screws and one hole with a diameter of 19 mm for the cable access.
  - b. Cement floor: Drill eight holes with a diameter of 8 mm for the cement floor plugs and one hole with a diameter of 19 mm for the cable access. It may be necessary to provide a groove for the power supply cable connected to the L-SP3 Electronics Unit. Insert the concrete floor plugs into the mounting holes.



**CAUTION:** Always use a protective sleeve for main power cable, which match to the flammability grade of the product. Mains power cable must be a 3 wire (line, neutral and earth), multi stranded copper wire, minimum section of 0.75 mm<sup>2</sup>/ 3A)

Figure 11: L-SP3 Clear Bottom Plastic Cover (4 screws)



- 
3. Remove the pedestal from the box.
  4. Remove the plastic cover from the both sides after removing the 4 fixing screws.
  5. Engage the power supply cable in the electric sheath and the Ethernet cable in the other sheath (please refer to section 4.1.1 “Wire Feed Sheaths”).
  6. Place the pedestal base over the mounting holes. Insert and fasten the screws in the mounting holes according to the type of ground surface:
    - Wooden floor: Insert the screws directly into the mounting holes and tighten the screws in place.
    - Concrete floor: Insert the screws into the concrete floor plugs and tighten the screws in place.



**When tightening the screws in place, first tighten the screws in place  $\frac{3}{4}$  of the way. Once all screws are in place, then tighten each screw progressively, one after each other to ensure that the floor bracket is solidly fixed into place and completely vertically aligned. The use of a level may be required.**

---

7. Plug in the mains IEC power cord from the previous pedestal if daisy chained or from the wall mounted socket. See figure in Chapter [Electrical Safety Rules](#)



**No Live AC mains 110/230V during installation!  
Make sure there is no power supply current before carrying on the connection operations.  
To do so, unplug the IEC Power Cord from the wall socket.**

---

8. Once all the L-SP3 pedestal have been installed, close the micro circuit-breaker ([Figure 3](#)) to power up the system before starting configuration operations. Please see section 5 “[Configuration](#)”.
9. After the configuration has been carried on, replace the two plastic covers and tighten the 4 fixing screws.

# 5 Configuration

All configuration operations of L-SP3 systems are carried on with the L-SP3 Configuration Utility Software.

## 5.1 Chip Configuration

For optimal performance the scanning duration ( $T_{scan}$ ) should not exceed 250ms.  $T_{scan}$  is the period to scan all pedestals of a group of  $N$  pedestals, i.e. a Master and  $(N-1)$  Slave Pedestals. Depending on your chip configuration and the number of pedestals installed you can determine the scanning duration of your installation.

### 5.1.1 Scanning duration per pedestal

Table 3: Scanning Duration No Tag in field

	Duration per pedestal in ETSI mode (ms)	Duration per pedestal in FCC mode (ms)
<b>Synchronization process</b>	10	10
<b>C370/-L, Tag-I, ISO15693 EAS or one AFI, detection only</b>	20	100
<b>C220/C320 EAS detection only</b>	15	15

The scanning duration per pedestal will vary according to the configuration you selected. The scanning duration will always include the synchronization process of 10ms.

Example 1: with a system using the 370-AFI in ETSI mode.

The scanning duration per pedestal will be:  $T_{single\_scan} = (10ms+20ms) = 30ms$

Example 2: with a system using the 370-AFI1-AFI2 in ETSI mode.

The scanning duration per pedestal will be:  $T_{single\_scan} = (10ms+20ms+20ms) = 50ms$

Example 3: with a system using the 370-EAS + C320-EAS in ETSI mode.

The scanning duration per pedestal will be:  $T_{single\_scan} = (10ms+20ms+15ms) = 45ms$

### 5.1.2 Global scanning duration

The global scanning duration ( $T_{scan}$ ) will depend on the synchronization mode you have selected. Hardwired synchronization is faster than wireless synchronization.

Table 4: Global scanning duration versus Synchronisation mode

Synchronization Mode	$T_{scan}$
Hardwired	$= T_{single\_scan} \times Nb\_Pedestals$
Wireless	$= T_{single\_scan} \times ((2 \times Nb\_Pedestals) - 2)$

Example 4: with a 4 pedestals system using 370-AFI1-AFI2 in ETSI mode.

The global scanning duration will be:  $T_{scan} = 50ms \times 4 = 200ms$  if used hardwired.

The global scanning duration will be:  $T_{scan} = 50ms \times ((2 \times 4) - 2) = 300ms$  if used wireless.

### 5.1.3 EAS Mode versus AFI Mode

EAS mode is only supported by the C370 or C370-L (NXP chip). AFI mode is supported by most ISO15693 chips, from major chip manufacturers (NXP, Texas Instrument, STM, Infineon, MeMarin...).

EAS digital burst is a prime number data stream of 128 bits which is read out after sending a check EAS command to the Tag. This dedicated EAS command is only implemented in NXP SLI chips.

C220 & C320 TAGSYS chips EAS signal is respectively 100kHz free running and 106kHz synchronous burst sent by the chip at power on reset during a few ms when RF field is first established and when EAS bit is set. This mode is only supported by TAGSYS which owns the chip design. C220 supports only EAS detection, no memory content read out is possible. C320 supports both EAS detection and 256 bits memory content read out for data model support.

The AFI (Application Family Identifier) is an 8bit-field defined in the ISO15693 standard but not mandatory. Whenever issuing an inventory command with a specific AFI code, only Labels with the same matching AFI code will reply with its UID. Generally the code 9E is used to say that the book has not been properly checked out, thus will be detected by the pedestals.

## 5.2 Understanding the L-SP3 Synchronization Process

### 5.2.1 Standard Synchronization Mode

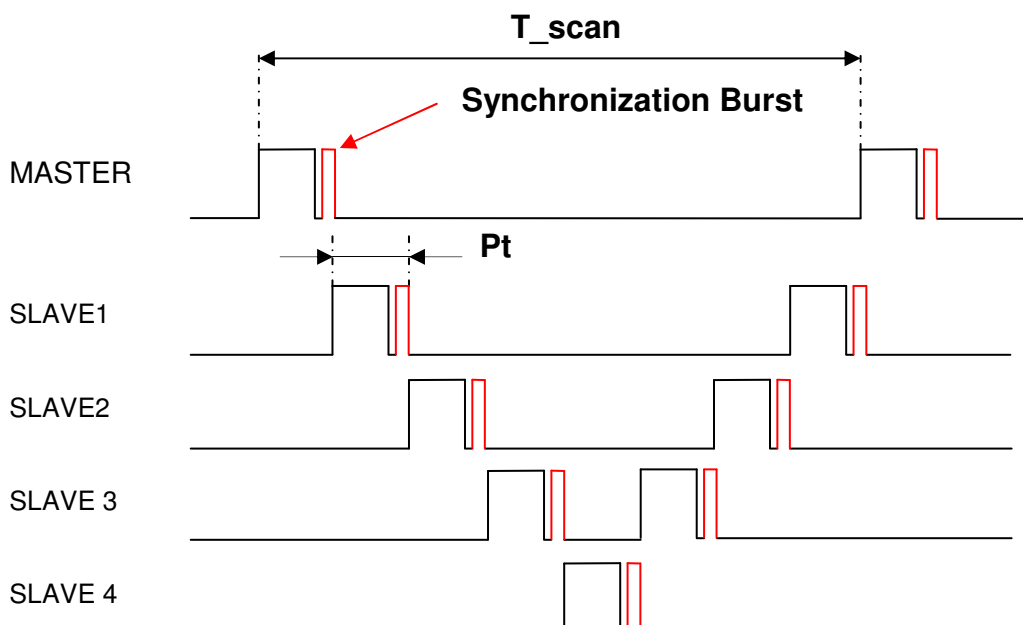
To manage a group of pedestals, a synchronization burst is sent by the master pedestal to all the slaves' pedestals, a token being propagated back and forth as in a token ring process. This is called the synchronization process.

- Only one pedestal is defined to be the master who emits a synchronization burst to the next slave in close proximity who in turns emits it to the next slave and so forth.
- The other pedestals, configured as slaves, get the synchronization from the neighboring pedestal and emits back to the next Slave of higher index.



**Default Configuration of the L-SP3 is set to Master 2 Pedestals.**

Figure 12: Chronogram Sample (1 Master/ 4 Slaves)



- Synchronization burst: start burst to synchronize the gates (Period of T Scan ms)
- Processing time (Pt): depends on the number of tags to be detected and the settings. The fastest is when only detection is used (EAS burst or AFI), the slowest when all features are used (AFI + Read AFI + Read 16 blocks of memory). Refer to the figures in Table 3: Scanning Duration.

Synchronization process for 3 pedestals:

- 1- The master scans the configured chip, then sends the synchronization burst to Slave1
- 2- Slave1 scans the configured chip, then sends the synchronization burst to Slave2
- 3- Slave2 scans the configured chip, and then sends the synchronization burst back to either the master when in hardwire mode or to the Slave1 in wireless mode.

This process is repeated indefinitely.

In case the master does not receive back the synchronization burst from the last slave after a defined period, it will automatically restart the synchronization process.

The number of pedestals is not limited to any particular number as long as each gate is close enough to its neighboring pedestal and that the overall scanning time does not exceed a few 100ms to allow for a safe detection at 1m/s pace through any gate.

## 5.2.2 Wireless Synchronization

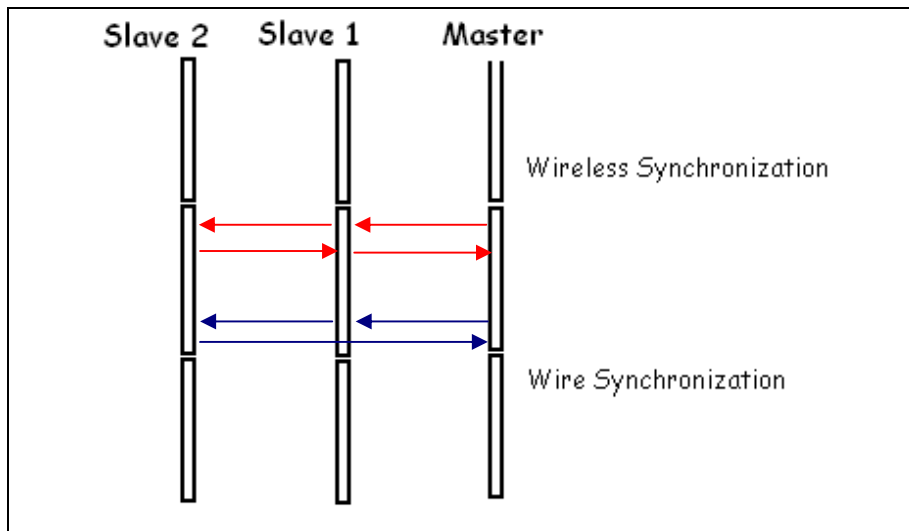


**In Standard Synchronization mode, section 5.2.1, if pedestals spacing exceeds the recommendation of section 4.3.2 “Placement of Pedestals”, wire synchronization becomes mandatory.**

When more than two pedestals are installed, it is mandatory to install the Master on the far left or right of the slave’s line for a better propagation and detection of the air synchronization burst.

Figure 13 below shows an example of optimal configuration. Slaves must be placed with the correct index corresponding to its physical location in order to carry other the token allowing starting to scan its 3 own antennas before handing over the token to the next neighboring pedestal.

Figure 13: 3 Pedestals Configuration Example and Token Propagation



Red Arrow: Wireless Synchronization Token hand over

Blue arrows: Wire Synchronization Token hand over

## 5.2.3 Synchronization by a pair of Wires

This mode is mandatory in noisy environments or when nearby RFID devices are placed too near within a couple of meters from any pedestals preventing the installation using wireless settings.

It is also mandatory when using too many pedestals (typically above 4 to 6 pedestals) as wireless burst signal needs to go to the last slave N pedestal and then back going through all N slaves before the master can scan its detection volume again. Processing time is thus equal to  $2N$  times  $P_t$  in wireless mode.

Using a synchronization cable, the token can be directly handed over by the last slave N to the Master without having to go through all N Slaves pedestals again. Overall scanning time is thus equal to  $N$  times  $P_t$ , half of the wireless time.

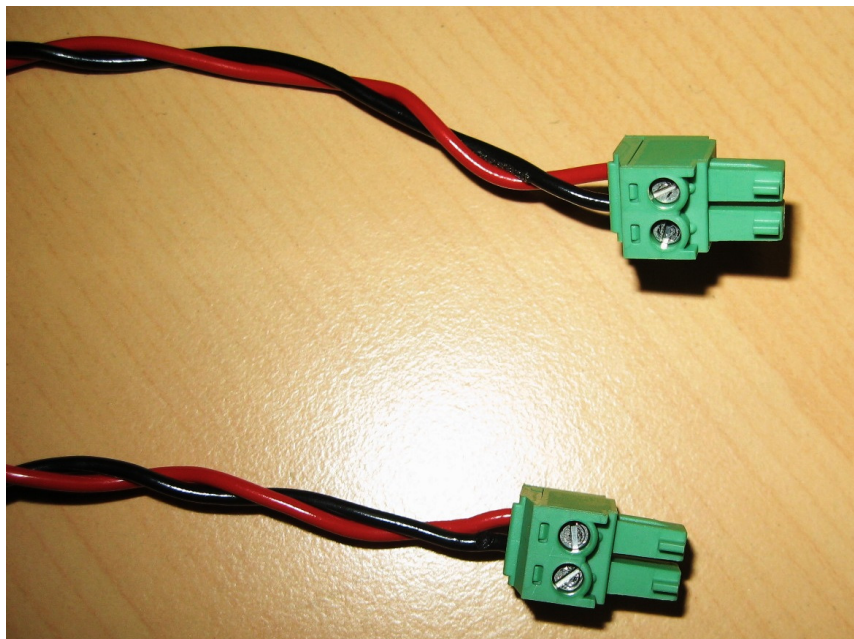
In this case the L-SP3 configuration settings have to be changed from “Wireless” to “Hardwire” Synchronization in the L-SP3 Configuration Tool program, “Advanced Configuration” last tab. See Figure 12 to see the correct fields to be modified. There will always be one & only one

L-SP3 Master and all others pedestals set as Slaves. Each pedestal is connected to the other using ideally a twisted pair cable. This cable will propagate the synchronization signal to all pedestals in parallel.

**Wire connection:**

First prepare a cable of appropriate length to connect 2 consecutive Electronics as shown in Figure 14 and Figure 15. A minimum wire gauge of 22AWG (0.2mm<sup>2</sup>) is enough, preferably a twisted pair. Screw at each extremity of the cable a 2-way connector with ground wire at the same position for each module. If more than 2 pedestals are used to form the aisle, then connect the wires in parallel to go to the next pedestal until you reach the last one.

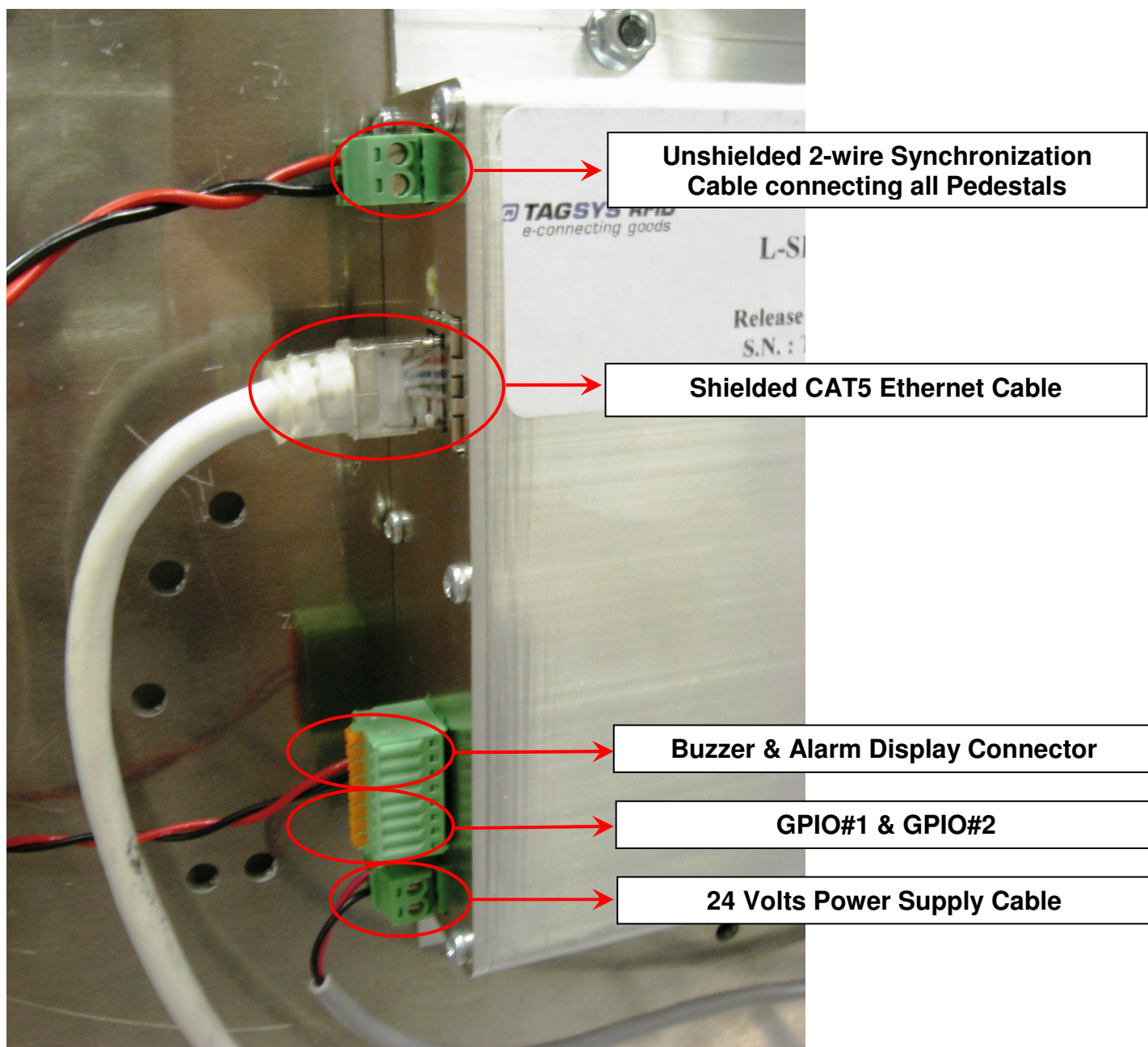
Figure 14: Detailed of Wire Synchronization Assembly



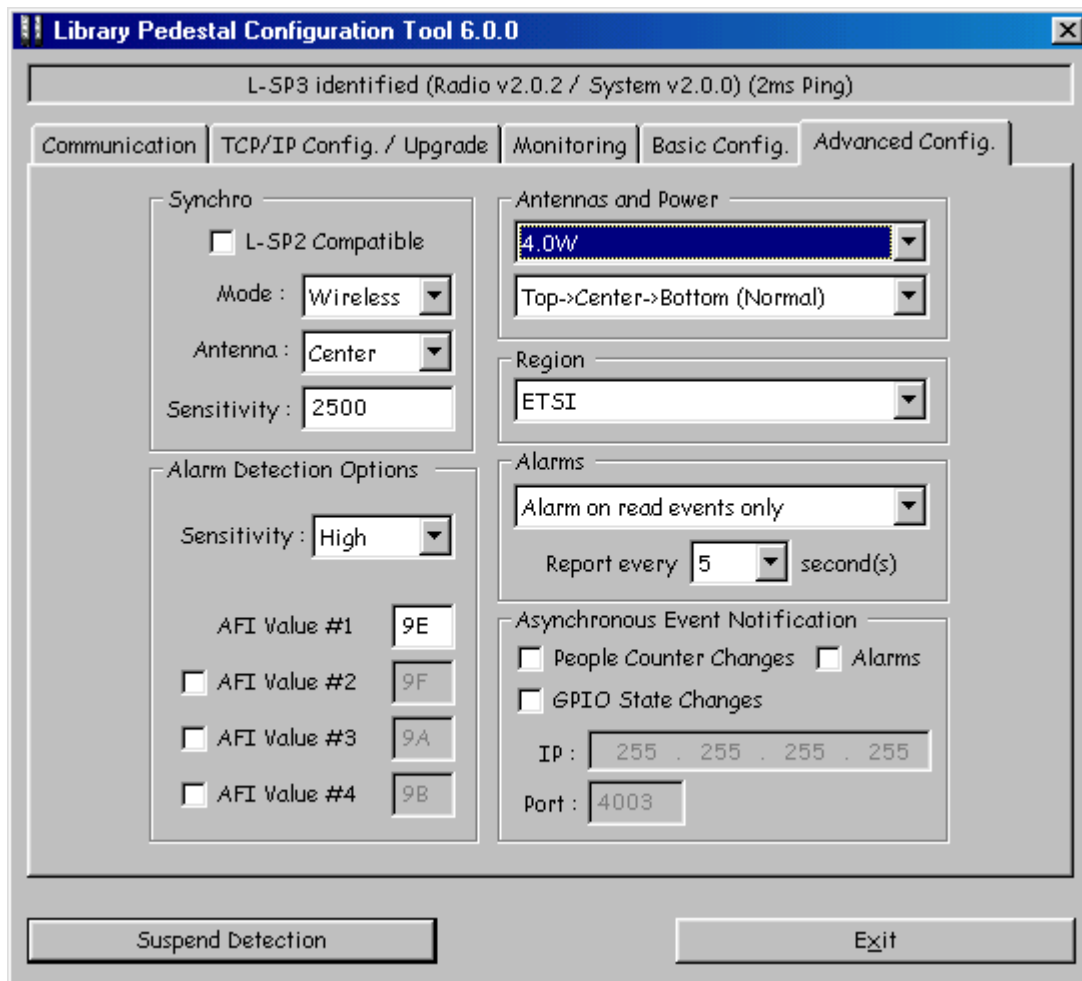
Then unscrew the 4 screws to open the bottom plastic cover panel of each pedestal forming the aisle to gain access to the Product Electronic Module and connect the top 2-way connector as shown in Figure 15 thereafter.



Figure 15: PEM Connectors & Cables Location



**Figure 16: Advanced Settings Tab Sections and Fields**



Steps to undergo:

1. Prepare a 2 wire cable of appropriate length and number of connectors to wire up each pedestal. Use the 3.81 mm Push-On Green Plugs Vertical Cable Entry provided.
2. Connect all pedestals Synchronization to the Synchronization I/O as shown on Figure 11.
3. Set each pedestal to hardwire synchronization modifying the "Mode" in the "Synch" Section of the "Advanced Configuration" tab of the L-SP3 Pedestal Configuration Tool.
4. Write down the MAC address of each pedestal. Use the test button in "Monitoring" tab to locate it: the connected pedestal will ring and its display lit.
5. Power up the whole system (every pedestal must be powered up) and check that the synchronization process works properly detecting a book in each passageway.
6. Put the cover panel back into place and secure it with the 4 screws

---

## 5.3 Parameters Configuration of the Ethernet Interface

---



**Don't forget to power up your installation before carrying on the following steps**

---

The first step is to allocate a unique IP address to each L-SP3. This operation will allow identifying each L-SP3 on site before configuring them on the Ethernet network.



**By default the IP address is 169.254.0.100 (port 4001) (IPv4 Automatic Private IP Addressing). Ask your network administrator to obtain a static IP address for each of the pedestals connected to your local network.**

---

The L-SP3 configuration will be carried on using a host computer connected to the local Ethernet network.



**You can localize the each gate thanks to their IP address. Their on site location must be known to configure and set them as Slaves or Master.**

---

## 5.4 Configuration of the L-SP3

“Library Pedestal Configuration Tool” is the software tool used to monitor and configure the L-SP3 pedestal.



**Before you configure the whole L-SP3, you need to have a clear vision of which pedestals will be masters or slaves. (Refer to section 5.2 “Understanding the L-SP3 Synchronization Process”)**

---



**In a configuration with several pedestals, as all pedestals are set as master by default, they will mutually perturb when powered on. So the first step will be to set the appropriate pedestals as slaves.**

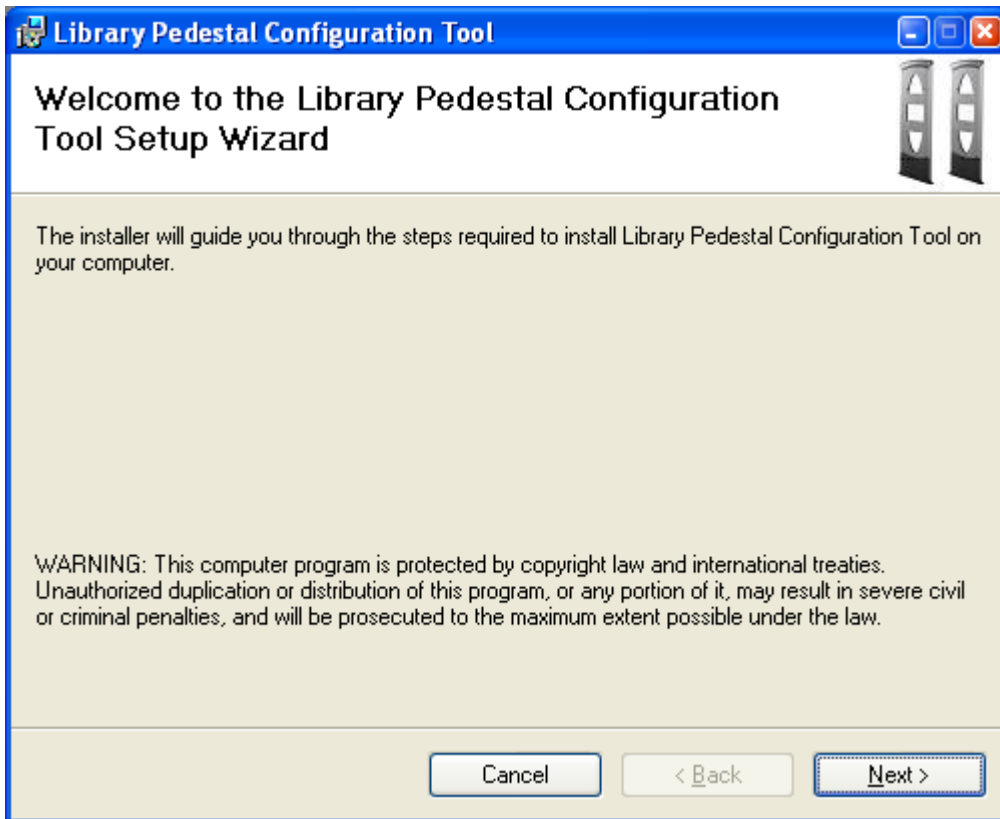
---

The whole L-SP3 configuration is carried on from a host computer connected to the local area network. Each L-SP3 is addressed thanks to its own IP.

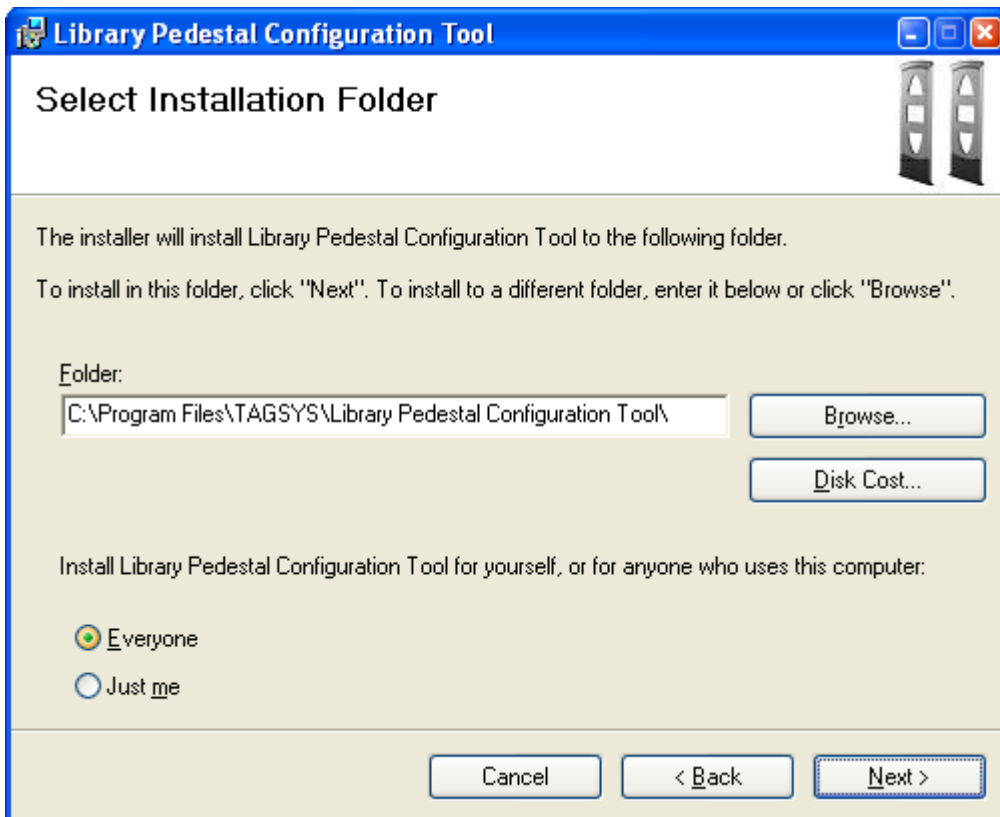
### 5.4.1 Installing the Configuration Software

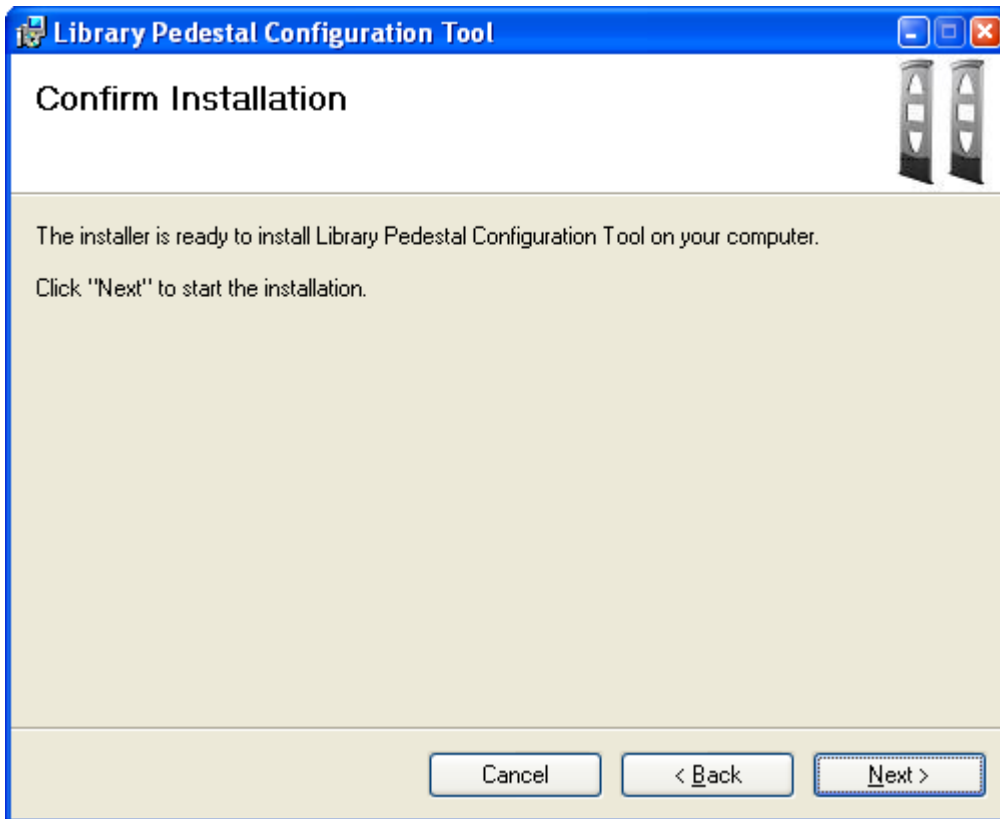
The Library Pedestal Configuration Tool is on the CD-Rom provided with the L-SP3.

Launching the Installer from the CD-ROM will display the following window:



Follow the installer steps:



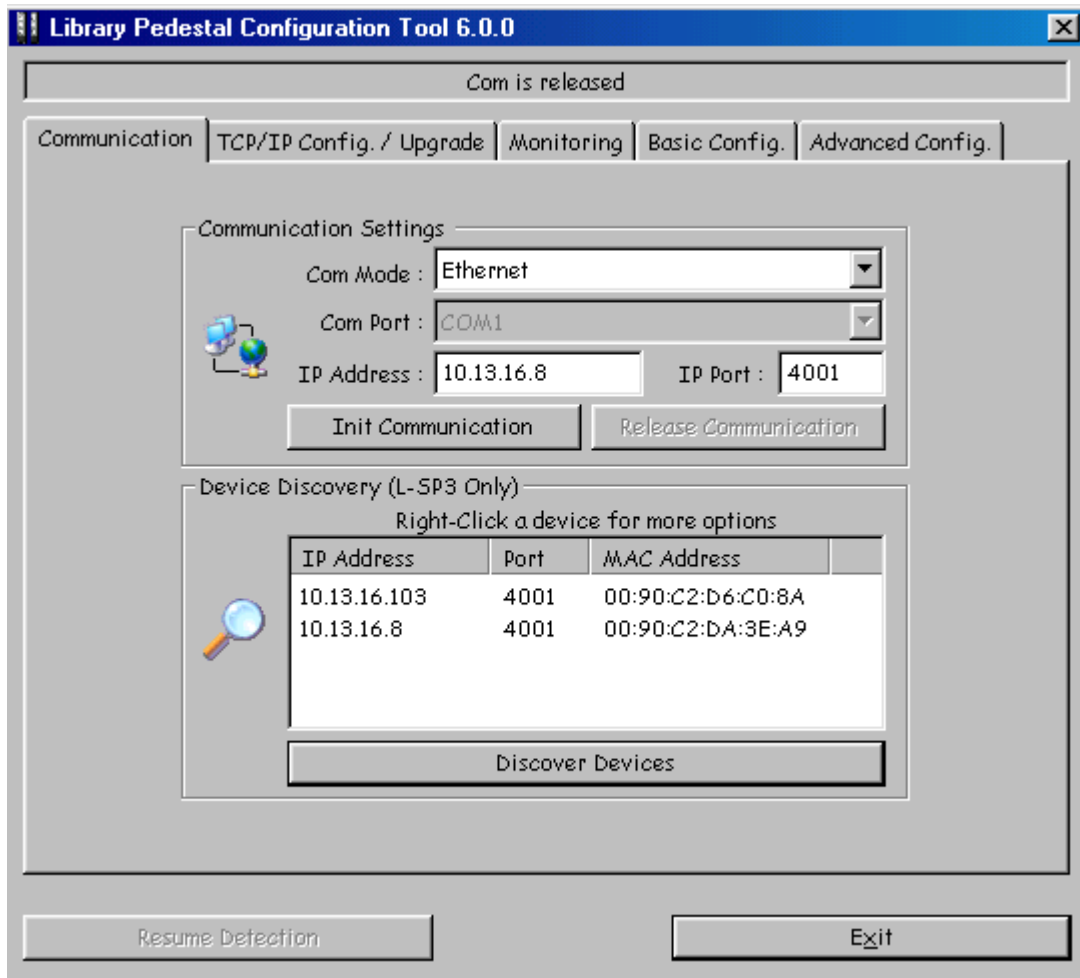


After the Library Pedestal Configuration Tool is installed, a shortcut to the application will be added to the desktop and to the Start Menu.

Double-click on the application shortcut to start the application.

## 5.4.2 Communication Configuration

Figure 17: Communication Configuration Tab (connected to a L-SP3)



This tab is used either:

- To establish connection to a pedestal when its IP address is known.
- To discover pedestals connected to the same network as the PC running the configuration tool.
- To modify the TCP/IP configuration of a discovered pedestal (not including port) if this address is not coherent with the address of the network it is connected to.

### Connecting to a pedestal when its IP address is known

Select "Ethernet/Wifi" as the Com Mode, enters the pedestal IP address and Port in the appropriate fields and click "Init Communication". Status bar on top of the window area should now display pedestal model and firmware revisions.

Click "Release Communication" to disconnect from a pedestal.

---

### Discovering pedestals connected to the network

Click “Discover Devices” when not connected to a pedestal. After a few seconds, the list of discovered pedestals (IP Address, Port and MAC address) is displayed. Double-Click an item in the list to connect to the corresponding pedestal.

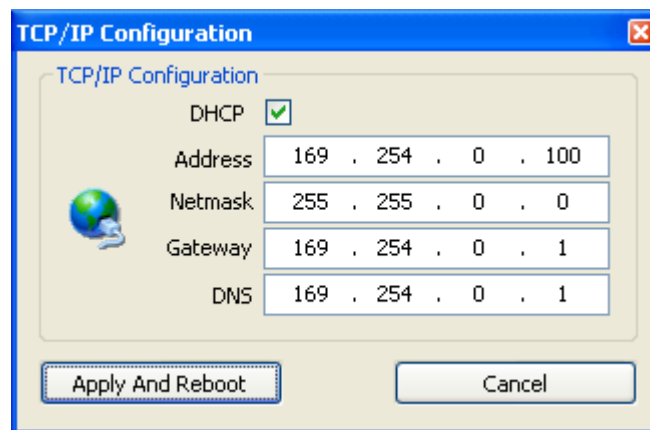
In case a pedestal is properly discovered but connection attempts fail, please make sure that :

- No other host is already connected to the pedestal.
- The IP address that appears in the list is correct and coherent with the address of the network the pedestal is connected to. If the IP address is incorrect, please follow the procedure below.

### Modifying TCP/IP configuration of discovered pedestal (not including port)

First discover pedestals as described above. Then right-click the list item corresponding to the pedestal whose IP address must be modified. Select “Configure TCP/IP” in the pop-up menu. The following window appears:

Figure 18: TCP/IP Configuration Window



Fill the fields with the appropriate data then click “Apply and Reboot” to apply new configuration and reboot pedestal. After a few seconds, you should be able to connect to the pedestal.

Click “Cancel” to cancel the operation.



**This procedure is applicable even if connection to the pedestal is impossible because another host is already connected to it, or because its IP address is incoherent.**

---



**Another procedure is available to modify TCP/IP configuration of a pedestal including port and without having to reboot it immediately (in this case, changes will be applied upon next reboot). However, this procedure requires that a connection is established to the pedestal (see section below).**

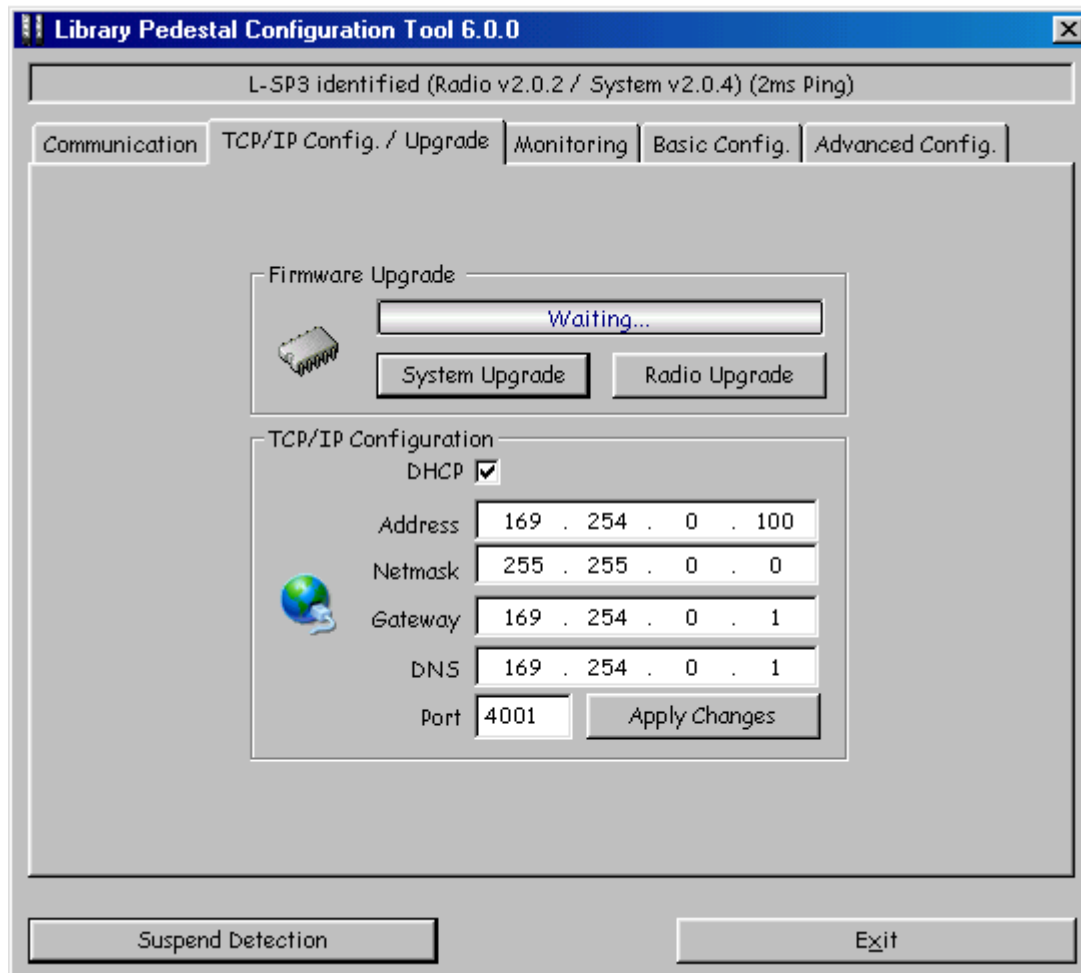
---



It is possible to revert to the default settings (DHCP active, fallback IP address set to 169.154.0.100). To do so, power-off pedestal, press and hold the LCD button, power-on pedestal, wait 5s then release LCD button.

### 5.4.3 TCP/IP Configuration and Firmware Upgrade

Figure 19: TCP/IP Configuration and Firmware Upgrade Tab



This tab is used either:

- To upgrade System Firmware.
- To upgrade Radio Firmware.
- To modify TCP/IP Configuration, including port.

#### Upgrading System Firmware

Click “System Upgrade”, and then select the appropriate firmware file. A bar shows the progress of the upgrade process. After upgrade is completed, you can decide to run the new firmware immediately by rebooting the pedestal, or to wait for next reboot to run it.

#### Upgrading Radio Firmware

Click “Radio Upgrade”, and then select the appropriate firmware file. A bar shows the progress of the upgrade process. After upgrade is completed, you can decide to run the new firmware immediately by rebooting the pedestal, or to wait for next reboot to run it.





When upgrading both System and Radio firmware, it is advised to reboot the pedestal only once after both upgrades are completed.



The EAS detection is suspended during the upgrade process.



Do not power-off pedestal during the upgrade process. Failure to respect this procedure may corrupt pedestal firmware and require product to be sent back to TAGSYS.



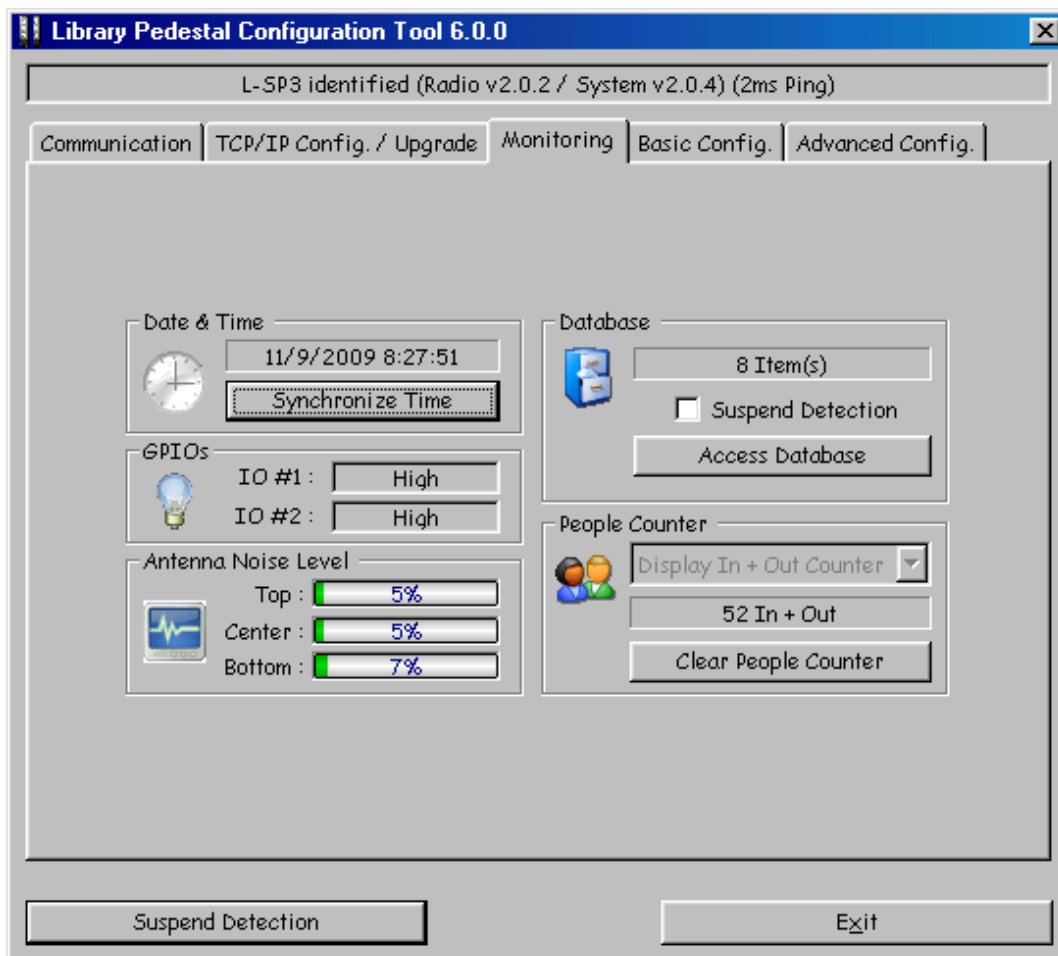
In case of a software failure during the upgrade process, do not power-off the pedestal, restart the configuration software and try upgrading the pedestal again.

#### Modifying TCP/IP configuration (including port)

Fill the fields with the appropriate values and click “Apply Changes”. You can then decide to apply the new TCP/IP configuration immediately by rebooting the pedestal, or to wait for next reboot to apply it.

### 5.4.4 Monitoring Pedestal Activity

Figure 20: Pedestal Monitoring Tab



This tab is used either:

- To check / update pedestal clock.
- To check / toggle GPIOs Level.
- To check antenna noise level.
- To check / configure people counter.
- To check alarms database.

#### Checking / Updating pedestal clock

Pedestal clock is displayed in real-time in the “Date & Time” section. Click “Synchronize Time” to synchronize pedestal clock with computer clock.



**Pedestal clock is used as a date stamp when a theft is committed.**

---

#### Checking GPIO level

The two GPIO available to user can be monitored:

- Display shows “High” when voltage level is above 2 Volt.
- Display shows “Low” when voltage level is below 1 Volt.

See Table 3 for more detailed information.

Clicking with the mouse on GPIO text field, the Level value toggles between High & Low.

The effect will depend on the actual GPIO settings on Basic Configuration Tab.



**GPIO #1 can be set as an Input Trigger for RF powering off/on as well as an Output for driving an External Alarm Device**  
**GPIO #2 can only be used as an Output for driving an External Alarm Device**

---

#### Checking antenna noise level

In “Antenna Noise Level” section, bar graphs provide a feedback regarding the ambient noise level measured by each antenna. It is only provided as debug purpose and should not be seen as a measure of performance. Green shows standard conditions as opposed to orange and red displays warning of possible/likely performance reduction due to ambient noise level.

#### Checking / configuring people counter

The “People Counter” section displays the total number of people that crossed the IR sensor:

- Whatever the direction (In & Out) if no bidirectional IR sensor is installed.
- In each direction (In & Out) if bidirectional IR sensor is installed.



**People counter value is battery backed-up, and is consequently restored at power-up.**

---

An icon briefly appears in real-time in “People Counter” section as the sensor IR beam is crossed.

---

Click on “Clear People Counter” button to reset people counter.



**To reset people counter, you can also use a pointed element (for example, a paper clip), insert it in the hole on the left of the display window and press (not too strong) until zero is displayed.**

---

Use the drop-list in the “People Counter” section to select which count is to be displayed on pedestal LCD:

- “Display In + Out Counter” to display the sum of In and Out counters.
- “Display in Counter” to display In counter only.
- “Display out Counter” to display out counter only.



**Pedestal must be rebooted for changes to take effect.**

---



**The drop-list is not available if no bidirectional IR sensor is installed. In this case, pedestal LCD always displays the sum of In and Out counters.**

---

#### Checking alarms database

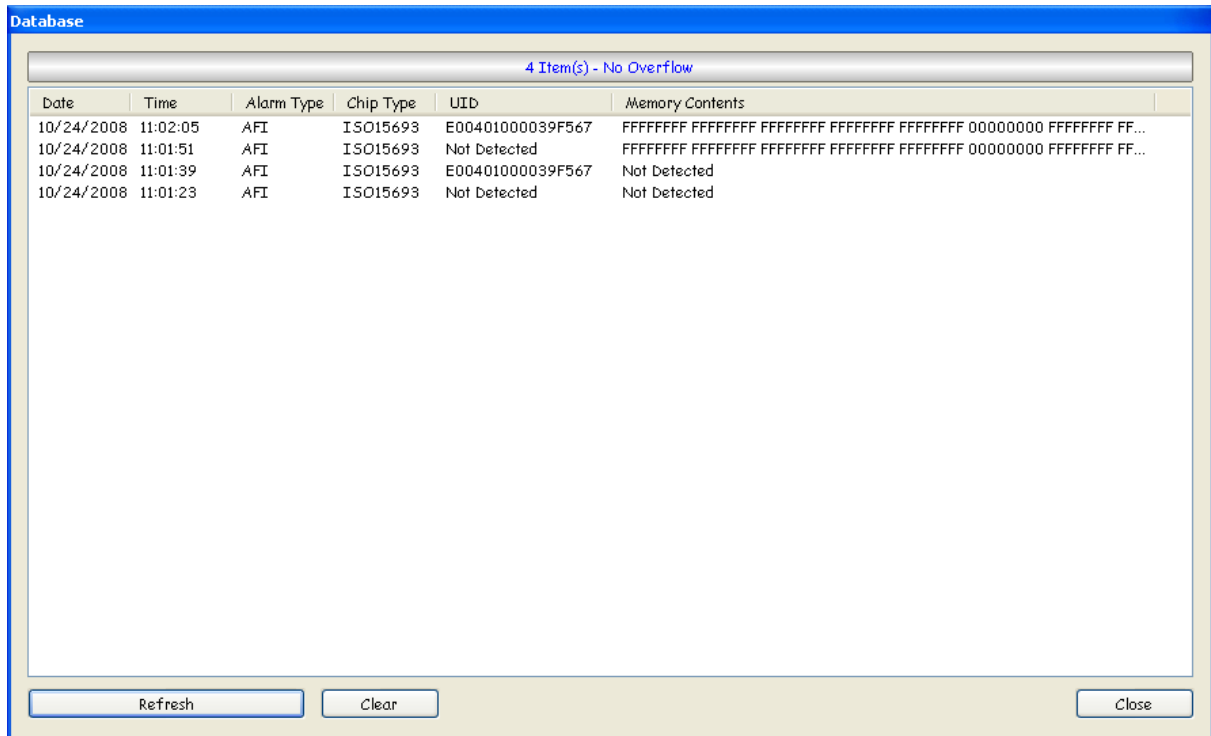
Each time an item (with EAS/AFI activated) passes through the gates an entry is added to a local database in pedestal memory. This entry holds the following information:

- The date and time to which the theft was committed.
- The chip type.
- If selected, the memory contents.
- If selected, the UID.
- The method used to detect the alarm (EAS or AFI).

A red icon appears in real-time in “Database” section as thefts are committed.

The “Database” section also shows the number of entries stored in pedestal memory in real-time. To display database contents, click “Access Database”. Database is downloaded and the following window is displayed:

Figure 21: Database Window



Date	Time	Alarm Type	Chip Type	UID	Memory Contents
10/24/2008	11:02:05	AFI	ISO15693	E00401000039F567	FFFFFFFF FFFFFFFF FFFFFFFF FFFFFFFF FFFFFFFF 00000000 FFFFFFFF FF...
10/24/2008	11:01:51	AFI	ISO15693	Not Detected	FFFFFFFF FFFFFFFF FFFFFFFF FFFFFFFF FFFFFFFF 00000000 FFFFFFFF FF...
10/24/2008	11:01:39	AFI	ISO15693	E00401000039F567	Not Detected
10/24/2008	11:01:23	AFI	ISO15693	Not Detected	Not Detected



**When this window is open and “suspend detection” check box is selected then EAS/AFI detection is automatically suspended. It is resumed when the window is closed. If “suspend detection” check box is not selected then detection is not suspended (in this case database download may be slower).**

In “Database” window:

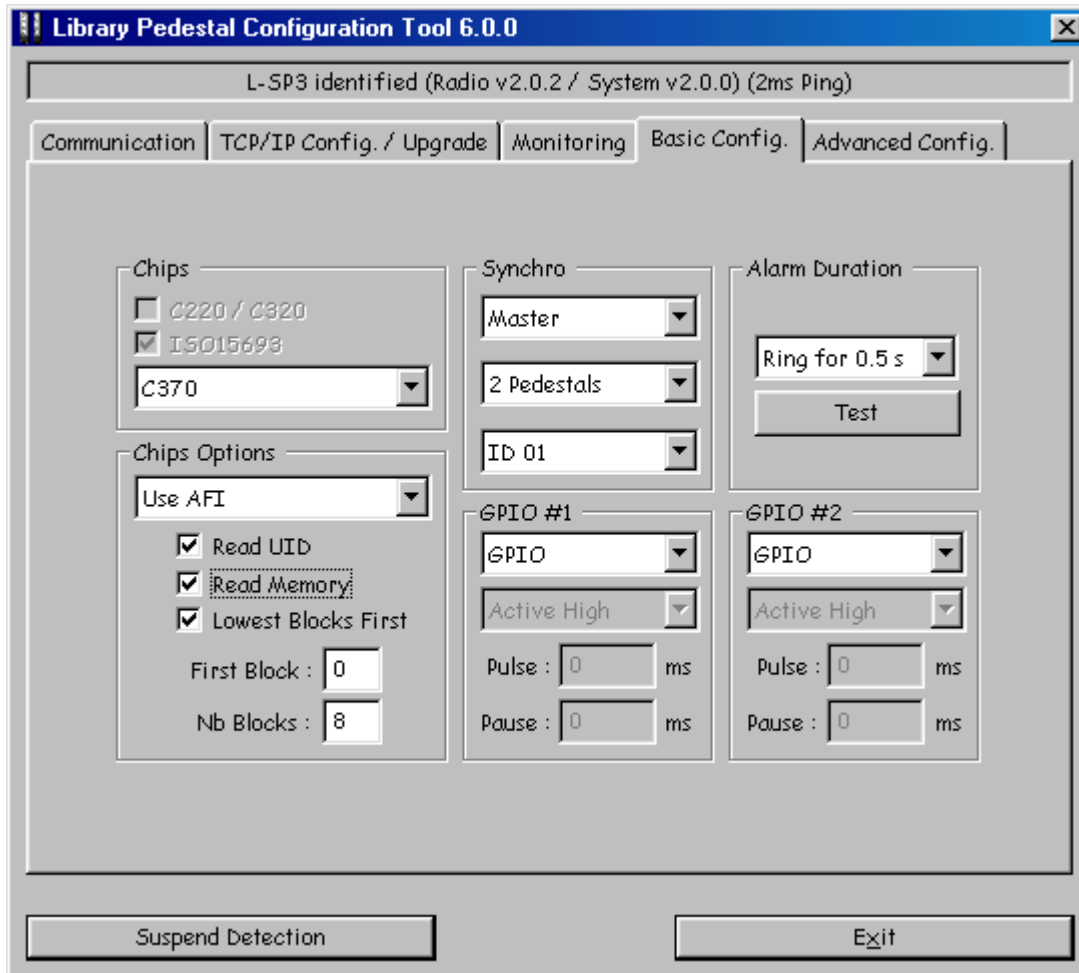
- Click “Refresh” to update database display.
- Click “Clear” to permanently erase pedestal database.
- Click “Close” to close the window.



**You can access pedestal database from your own applications using the provided SDKs (Win32/x86 native DLL, WinCE/Arm native DLL and JAVA archive).**

## 5.4.5 Basic Pedestal Configuration

Figure 22: Basic Pedestal Configuration Tab



This tab is used either:

- To select the chip to be detected as well as detection options.
- To configure inter-pedestal RF synchronization.
- To configure / test alarm duration.
- To configure the 2 GPIO available to user with predefined functions.

### Selecting the chips to be detected as well as detection options

In the “Chips” section, first tick the family of chips to be detected:

- TAGSYS proprietary C220 asynchronous or C320 synchronous legacy chips
- ISO15693 synchronous chips: NXP, TI or Generic (no support of multiple memory Blocks Reading in Inventory mode). Select the ISO15693 chip type from the drop-list.
- Or both C220/C320 and then ISO15693 EAS detection.

In the “Chips Options” section:

- Select the detection method to be used in the drop-list, i.e. “Use AFI”, “Use EAS”, or “Use both EAS and AFI”.
- Select “Read UID” to have the pedestal trying to read the UID of stolen items.

Select “Read Memory” to have the pedestal trying to read the memory contents of stolen items. If “Read Memory” is selected, you must specify the first block and number of blocks to be read in the corresponding fields. You must also specify which blocks should be reported first (lowest or highest) by selecting/unselecting the “Lowest Blocks First”

#### Configuring / Testing alarm duration

In the “Alarm Duration” section:

- Select the alarm duration in the drop-list.
- Click “Test” to trigger an alarm (this is useful either to test alarm duration, or to identify the pedestal you’re connected to).

#### Configuring inter-pedestal RF synchronization

In the “Synchro” section:

- Select whether the pedestal is to be configured as the Master or as a Slave (1...8).
- Select the total number of pedestals (master and slaves) operating in close proximity and sharing the same ID.
- Select ID (master and slaves of one system installation must share the same ID)



**Only one Master can be selected with several slaves.**

---

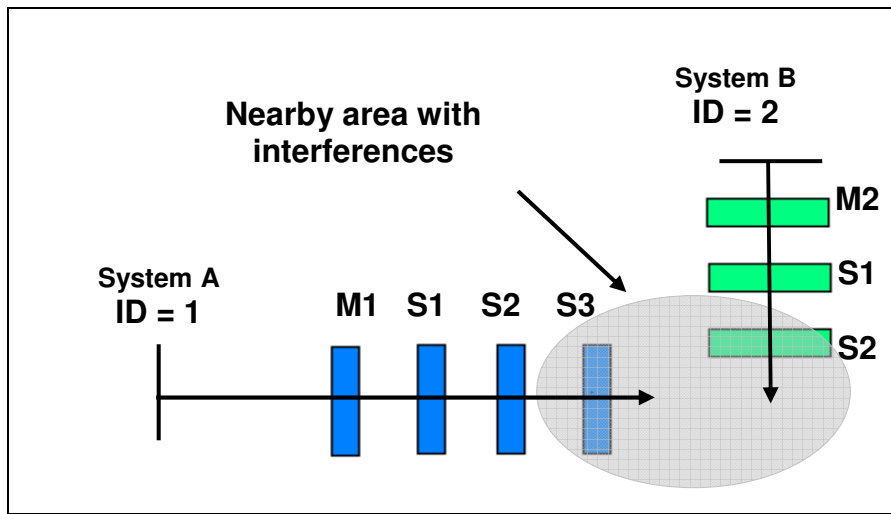
For example, in the library configuration shown below we have:

- System A with ID = 1 (M1 Master, S1, S2, S3 Slaves).
- System B with ID = 2 (M2 Master, S1, S2 Slaves).

The Masters are disposed as far as possible from each other not to perturb themselves (Please refer to section 4.3.2 “Placement of Pedestals”).

Two different IDs are used to be sure that each slave will be synchronized with the master from its own system.

Figure 23: Multi-gate configuration with two different IDs



Once you have set the basic configuration, check that all the slaves are well synchronized. To do so, L-SP3 electronics unit green LEDs should flicker cyclically. If not, proceed to the advanced configuration stage.

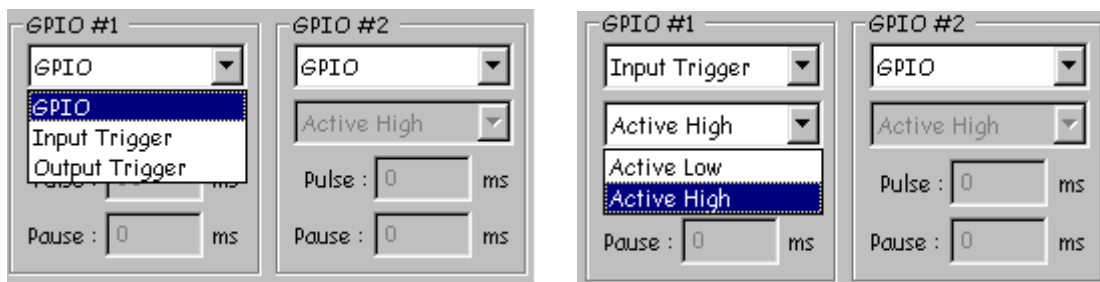
### Configuring General Purpose Input/Output

When needed, port #1 can be used as an input to remotely switch the RF Field on and off. This is useful to limit the HF field generation to a strict minimum, i.e. whenever a person is about to enter the detection passageway crossing a light barrier placed ahead of the pedestal and keep it on for a fixed duration or whenever the person is exiting the RFID detection area using a second light barrier beam crossing detector.

Refer to Figure 25 for the pin layout to wire the Input and output signals.

In section GPIO#1, select one of the available options:

- GPIO: Port has no predefined function; it can be driven remotely by Host PC via API.
- Input Trigger: when wired signal matches the Active Level Setting (“Low” or “High”) the Radio Frequency Field will be turned On, Theft detection becoming active.
- Output Trigger: when Theft is detected (EAS or AFI signal setting the alarm), the Port Signal level matches the Active Level Setting (“Low” or “High”). The output voltage level of the port should match the active voltage to set the external alarm device wired up.



In section GPIO#2, select one of the available options:

- GPIO: Port has no predefined function; it can be driven remotely by Host PC via API.
- Output Trigger: when Theft is detected (EAS or AFI signal setting the alarm), the Port Signal level matches the Active Level Setting (“Low” or “High”). The output voltage level of the port should match the active voltage to set the external alarm device wired up.

Whenever the GPIO is set as an Output Trigger, It is possible to set a pulse Width and a Pause in milliseconds. In Figure 24, the Pulse Width is set to 100ms. This means that whenever theft detection occurs, the signal on port#2 will go from low to high for a minimum time of 100ms. If no further detection occurs before the 100ms timing laps, then signal will drop to low level.

Whenever after the Pause timing, if a new detection occurs, signal will rise again to high level.

In the particular case of the Pause Timing set to 0ms, whenever detection will occur timing equal to Pulse setting will be added up so that the active level will stay high as long as detection will occur (so called retrigger configuration).

Setting pause timing to a value different from zero will force the output signal to low level for Pause time after the Pulse time set, before being triggered again by a subsequent detection.

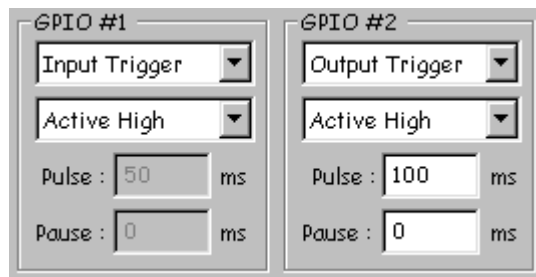


Figure 24: GPIO Pulse & Pause Field

Pin #	Function
1	Ambient Light +24V
2	Ambient Light 0V Ground
3	Alarm +24V
4	Alarm 0V Ground
5	GPIO #1 Open Collector
6	GPIO #1 0V Ground
7	GPIO #2 Open Collector
8	GPIO #2 0V Ground

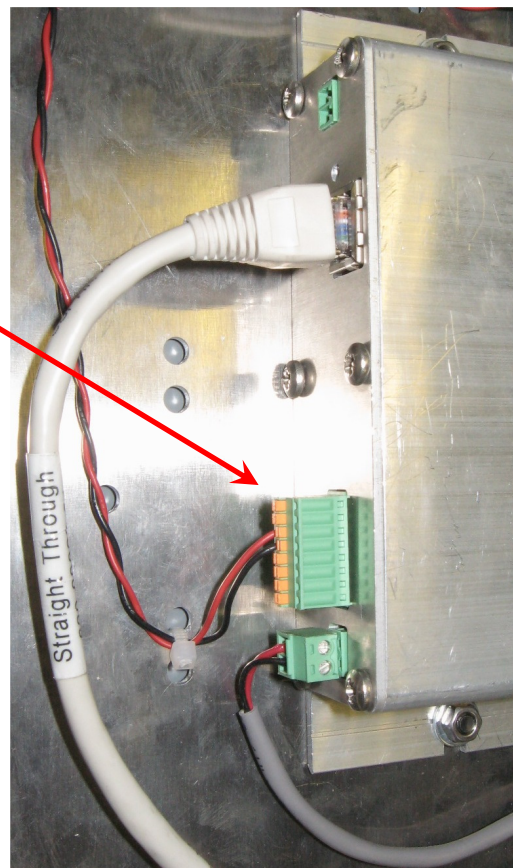


Figure 25: Peripherals & GPIO Green Connector Pin Out & Location



**Table 5: GPIO Pins - Electrical Characteristics Max Ratings**

Parameters	Min.	Typ.	Max.	Unit
Input Voltage Range	0	--	28	V
Input Voltage (Low Level)	0	--	0.9	V
Input Voltage (High Level)	1.5	--	28	V
Output Voltage Range	0	--	28	V
Maximum Continuous Output Current	--	--	1.4	A
Output Over Current Protection	1.9	2.8	3.8	A



In output mode the LSP3 GPIO can only sink current to ground. User needs to provide adequate DC Limited Current Supply to Port#1 and Port#2 (Open Drain). See Figure 26 for detailed circuitry.

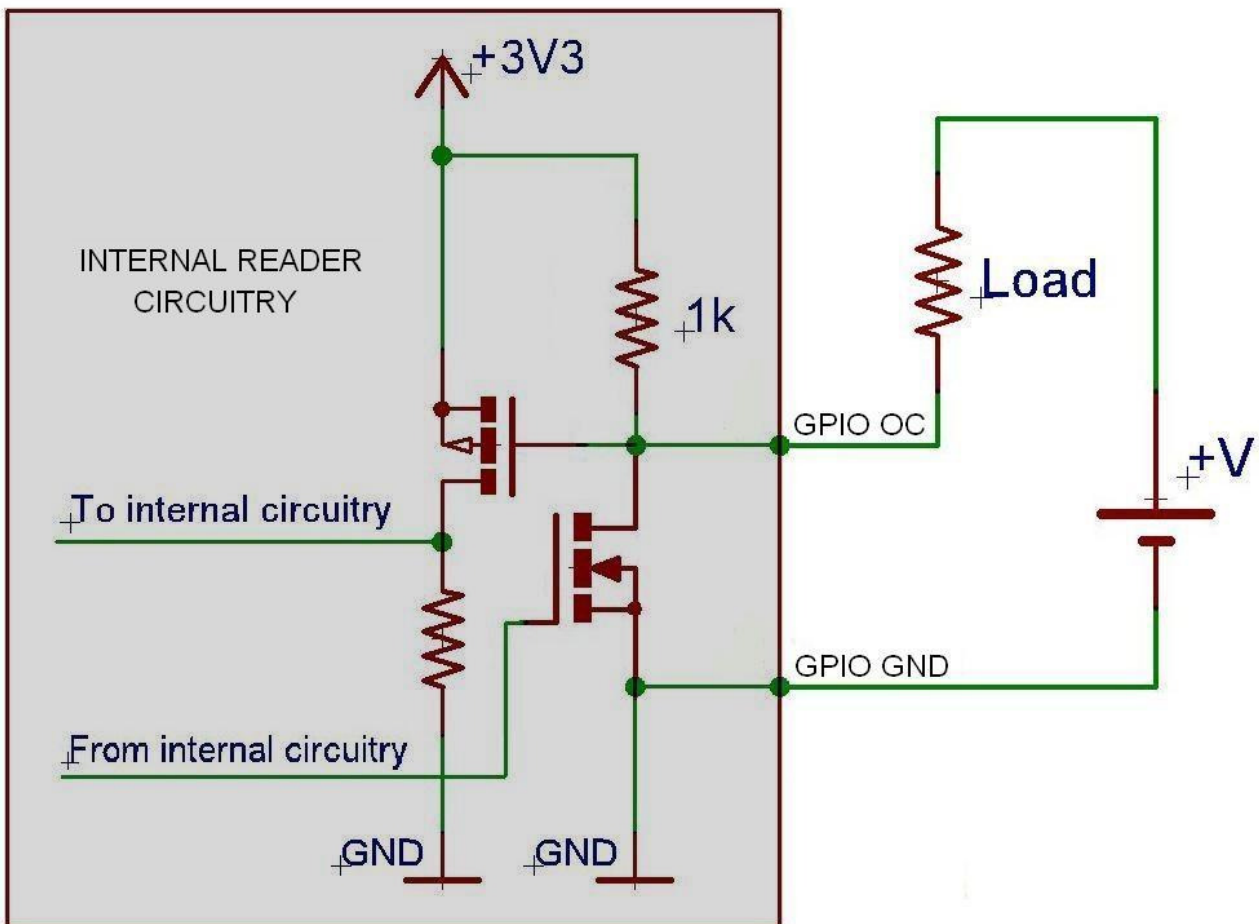


Figure 26: Internal Circuit of GPIO and External Supply Wiring in Output Mode

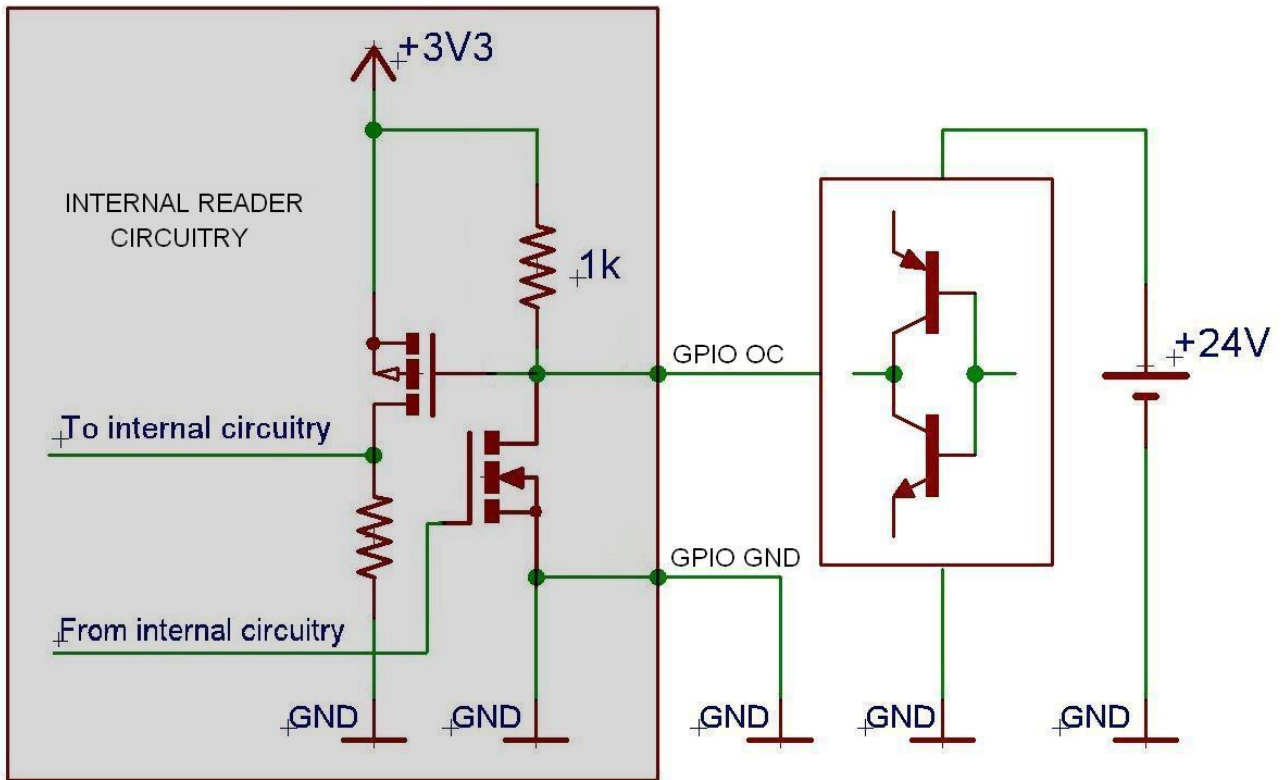


Figure 27: Connection of a Switch as an Input Device.

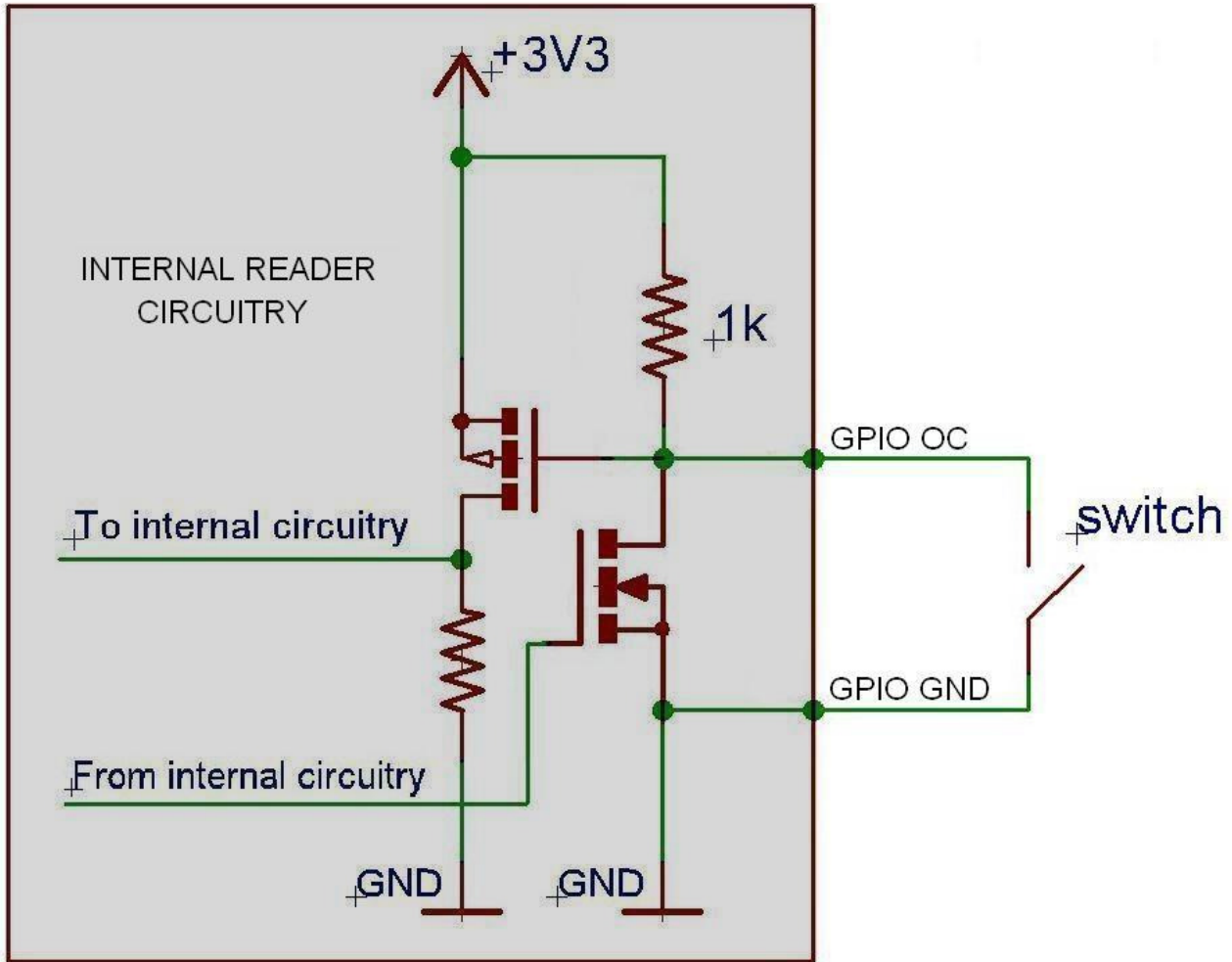


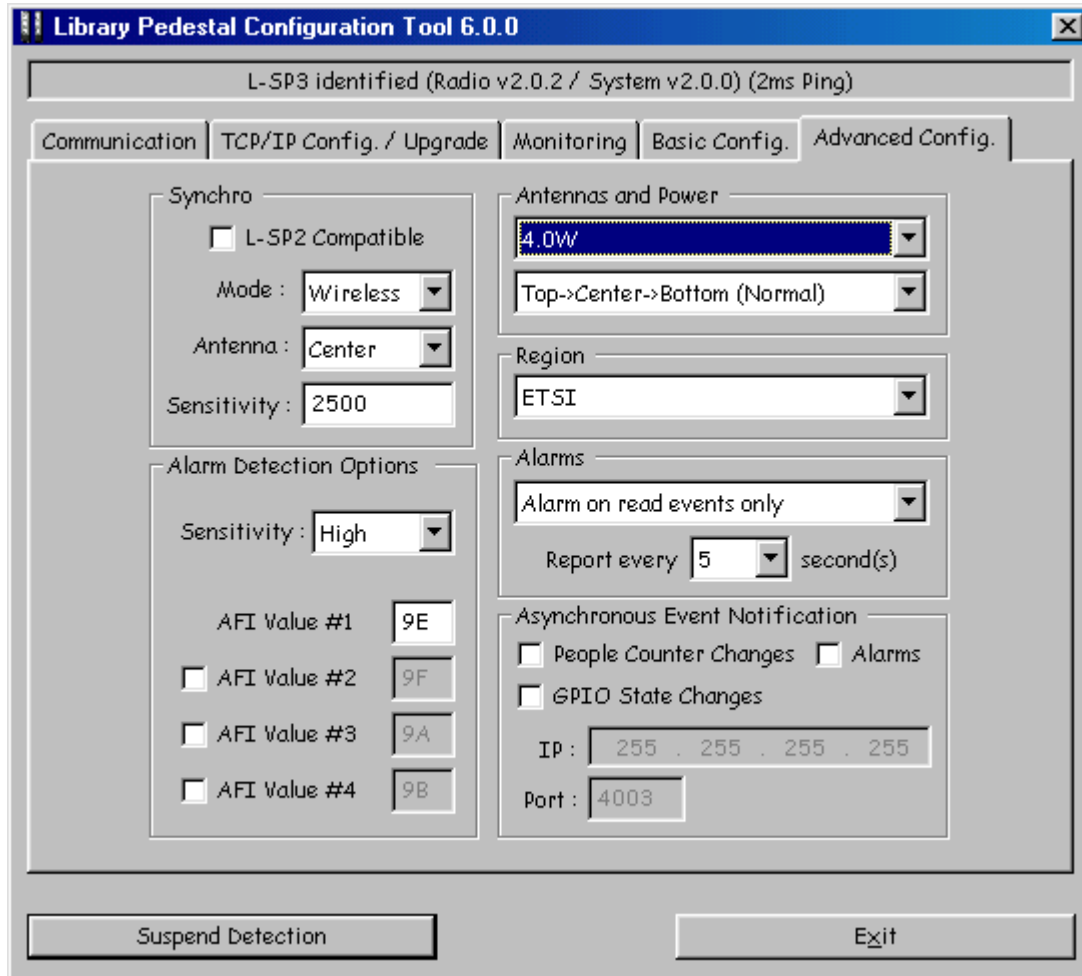
Figure 28: Connection of a Source and Sink Current Supply as an input Device



**Applying negative voltage may destroy the GPIO!**  
**Beware not to inadvertently toggle the GPIO from Input to Output Mode:**  
**you may create a short circuit when using a high current source to**  
**ground as an input device! Refer to Figure 28.**

## 5.4.6 Advanced Pedestal Configuration

Figure 29: Advanced Pedestal Configuration Tab



This tab is used either:

- To configure advanced inter-pedestal RF synchronization parameters.
- To configure advanced alarm detection parameters.
- To configure advanced alarm signaling parameters.
- To configure antenna sequence, RF output power and region of operation.
- To configure the Asynchronous Event Notification over the network

### Configuring advanced inter-pedestal RF synchronization parameters

In “Synchro” section, select whether synchronization should be compatible with L-SP2 pedestals. Please note that some features may not be available when this mode is selected.

You can also select whether to use hardwire synchronization (see section 5.2.3) or wireless synchronization (see section 5.2.2).

---

If wireless synchronization is selected:

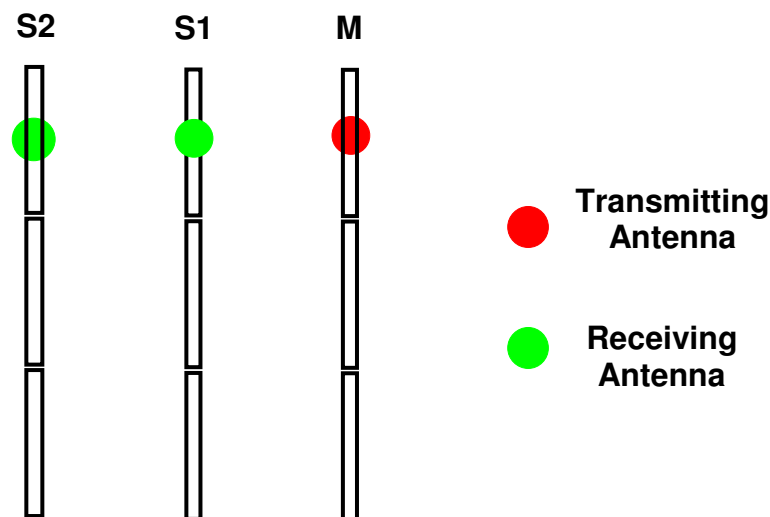
- Select the antenna that should be used for emitting and receiving synchronization bursts.
- Select the synchronization burst detection sensitivity. If default value does not ensure the correct synchronization of all slaves then it is possible to adjust the sensitivity of the non-synchronized slaves. You just have to adjust the detection level until you get the required synchronization (LEDs flickering cyclically). Sensitivity can be adjusted between 50 (high sensitivity) and 2000 (low sensitivity).



**A Value of 2500 & above is recommended for first installation to avoid synchronization being blinded by nearby operating equipment and noise.**

---

Figure 30: Master/Slaves Synchronization Antenna Best Configuration



**Best Air Synchronization Results are obtained when using the same antenna for all Receiving and Transmitting antennas: all Top or all Centre ones.**

---

#### Configuring advanced alarm detection parameters

In “Alarm Detection Options” section:

- Select alarm detection sensitivity. Decrease sensitivity in case too many false alarms occur.
- Select up to four different AFI values as two hexadecimal digits. Items whose AFI matches one of those values will trigger an alarm.

#### Configuring advanced alarm signaling parameters

In “Alarms” section:

- Select the alarm report interval. If the same stolen item passes through the gate several times, it will be reported only once every n seconds.
- Select whether or not the alarm should be triggered only if reading of UID/Memory of stolen items was successful.

## Configuring antenna sequence, RF output power and region of operation

In “Antennas and Power” section:

- Select the RF output power. The output power can be lowered to avoid disturbing nearby RFID systems (in such a case, check system performance). The output power can be increased, but only to carry on tests.
- Select antenna sequence used when scanning the pedestal. Select “Top>Center>Bottom” for standard operation or specifically an antenna for diagnosis operations (Top, Center or Bottom).



**In any case, for operational configuration output power should not exceed 4W to remain compliant with Radio Regulations.**

In “Region” section, select the EMC regulations applicable to your region (FCC or ETSI).

## Configuring & Enabling Asynchronous Event Notification Mode

In this section, one can activate the useful Event Notification, a stand alone feature which duplicates the database entry by sending to any PC on the network a data frame. This allows sending alarm data whenever an event occurs in any pedestal without having to regularly pool the pedestal database over the network. It limits the traffic over the network.

To activate the Event Notification, just tick at least one Event out of the 3 available. All Events can be selected if needed.

If IP address is left to the default “FF.FF.FF.FF.” data is broadcasted to all equipments on the network. Possible Events are:

- People Counter Change: Whenever one walks through the gate passageway, data is sent over the network once. The Data field includes the new In Out and In+ Out value.
- Alarms: Upon Tag(s) detection their UID & Memory Contents is sent over the network according to the settings defined.
- GPIO State Changes: Whenever an Input or Output level changes it is notified over the network. The data field reports the GPIO new status.

A screenshot of a configuration window titled "Asynchronous Event Notification". It contains three checkboxes: "People Counter Changes" (unchecked), "Alarms" (checked), and "GPIO State Changes" (unchecked). Below the checkboxes are two input fields: "IP:" with the value "255 . 255 . 255 . 255" and "Port:" with the value "4003".

Asynchronous Event Notification	
<input type="checkbox"/> People Counter Changes	<input checked="" type="checkbox"/> Alarms
<input type="checkbox"/> GPIO State Changes	
IP :	255 . 255 . 255 . 255
Port :	4003

Figure 31: Asynchronous Event Notification Subfield.

## 5.5 People Counter & Buzzer Sound Management

### 5.5.1 Resetting the Counter Display

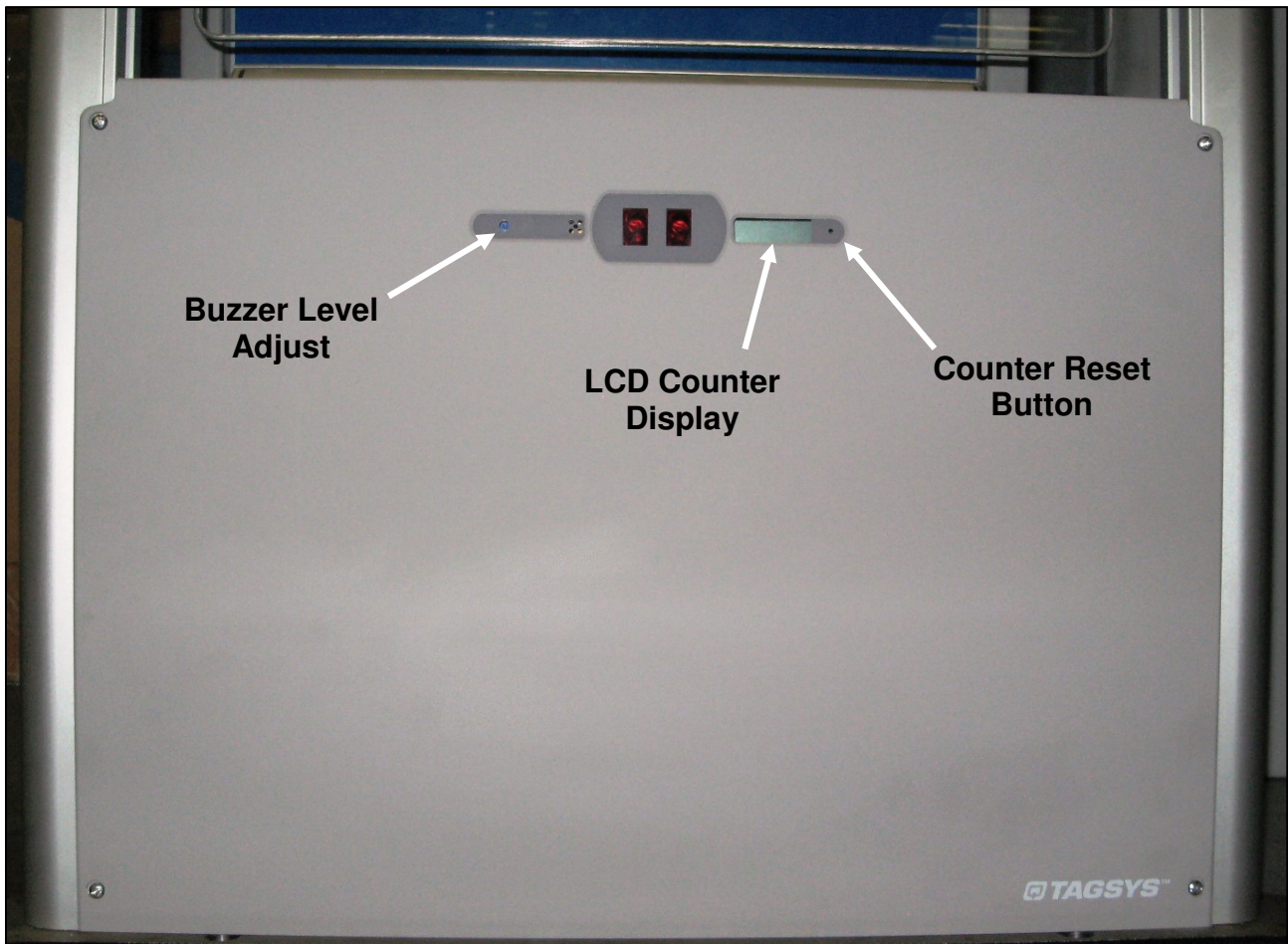


Figure 32: People Counter & Detection Cells Location

To reset the LCD display use a pointed element (for example: a paper clip). Insert it in the hole on the right of the display window and press (not too hard) until you get zero displayed. This will also reset the battery backed-up counter.

### 5.5.2 Resetting the Remote People Counter

See section [Checking / Configuring people counter](#) of 5.4.4 Monitoring Pedestal Activity for more information.

### 5.5.3 Adjusting the Level of the Buzzer Sound

Using a flat headed 4mm screw driver (less than 4mm max diameter) through the outermost left hole, adjust the buzzer sound to the desired level turning clockwise or anticlockwise.

To trigger the alarm during the trimming operation, either use a book with an EAS set label or depress the Test Button on the Basic Configuration Tab of the LSP3 Configuration Tool.

# 6 Operation

---

## 6.1 Theory of Operation

The RF motherboard in the electronics unit produces radio frequency (RF) electromagnetic signals that are transmitted via the antennas in each pedestal. Each antenna transmits for a short period, receives for a short period, and is inactive for the remainder of the time.

## 6.2 Starting the System

There is no ON/OFF switch. The system operates when mains power is applied plugging in the IEC plug into the Wall mounted plug.

## 6.3 Normal Operation

No operating procedures are required. The system continues to operate as long as power is supplied.

## 6.4 Shutdown

Once the system is set up and running, we recommend that all pedestals remain turned on at all times.



# 7 Maintenance

## 7.1 Servicing the Pedestals

No regular servicing or maintenance is required, except for keeping the covers clean, and occasionally checking the integrity of the cover seals.

It is recommended that the pedestal unit be inspected at least once per year by an approved TAGSYS technical representative.

Refer to section 1.2 “Care and Maintenance” for general maintenance information.

## 7.2 Servicing the Electronics Unit

- Fuse characteristics:

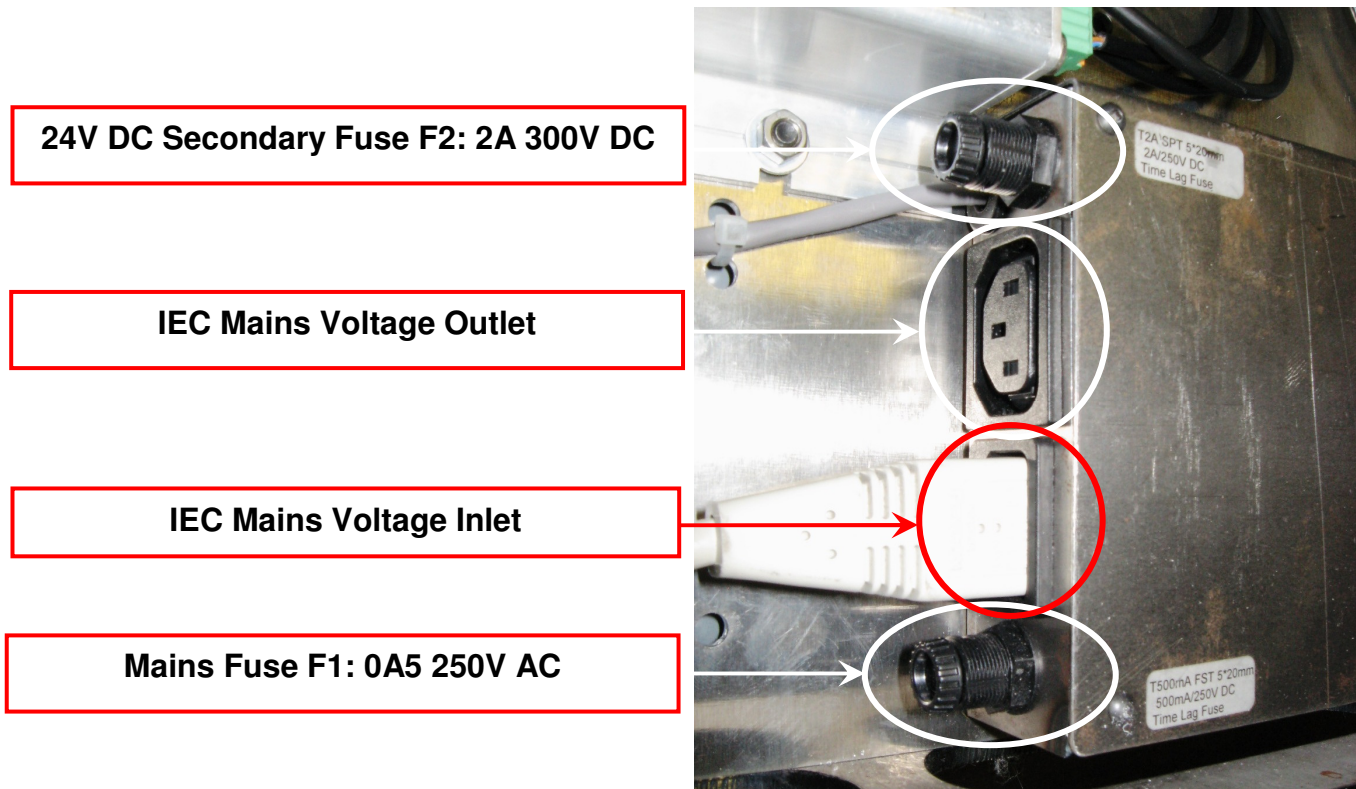
- F1 on AC mains: Schurter FST, 5X20mm, Time-Lag T, H, 250VAC, 500mA
- F2 on DC supply: Schurter SPT, 5X20mm, Time-Lag T, H, 250VAC/300VDC, 2A

- How to change them:

Fuses are located behind the plastic cover located at the bottom of the L-SP3 pedestal.

1. Unscrew the 4 screws holding the plastic cover on sensors and counter display side.
2. Unscrew the fingertip head fuse and replace the tripped fuse with the specified replacement one. Only use the specified UR listed 5x20mm fuses from Schurter for replacement (please see figure below).

Figure 33: Mains Fuses Location and Ratings





**WARNING: Beware of Hazardous AC mains 110/230V Voltage!**  
**Make sure there is no power supply before carrying on maintenance operation.**  
**To do so, the micro circuit-breaker must be opened and the Main Power Supply Cord Unplugged from the Wall Socket.**

---

# 8 Troubleshooting

The following table lists the most common problems and describes their solutions.

Table 6: Troubleshooting Table

Fault	Possible Causes	Solution
No power	Differential or micro circuit breakers	Check the differential and micro circuit breaker status
	System fuse	Replace fuse.
	Cabling fault. Power cable fault	Check cabling and connections. Replace any suspected faulty cables.
Alarms missed (TAGSYS RFID tags with theft bit ON not triggering alarms).	Tuning fault.	Check antenna tuning.
False alarms (TAGSYS RFID tags with theft bit OFF trigger alarms).	Tuning fault.	Check antenna tuning.
	Nearby devices are interfering with the pedestals. (Refer also to section 8.1)	Switch off all or some of the suspicious nearby devices and check if the EAS detection performance changes. (If it does, check for a power problem with the pedestal.)



**CAUTION:** These distances are subject to site variables. Distance may be smaller under some conditions. Metal frames on furniture and fixture items may interfere with the EAS system if they are too close. This is because energy from the antenna can couple into the metallic frame and be transmitted to TAGSYS RFID tags and antennas several meters away.

## 8.1 Sources of Interference

The following devices may cause interference with EAS systems if they are close to the pedestals:

- TAGSYS RFID tag readers and programming devices
- computer monitors or screens (cathode ray tubes)
- radio transmitters
- short-wave radios
- high power music systems with D-class amplifiers
- some industrial vacuum cleaners
- high-frequency fluorescent lights (if very close to pedestals)
- neon or halogen lights such as advertising signs
- equipment using switch mode power supplies

- data or power cables within 400 mm
- illuminated exit signs generating noise between 80 and 100 kHz
- digital phone lines (wideband noise) within 200 mm

# 9 Technical Specifications

## 9.1 Mechanical Data

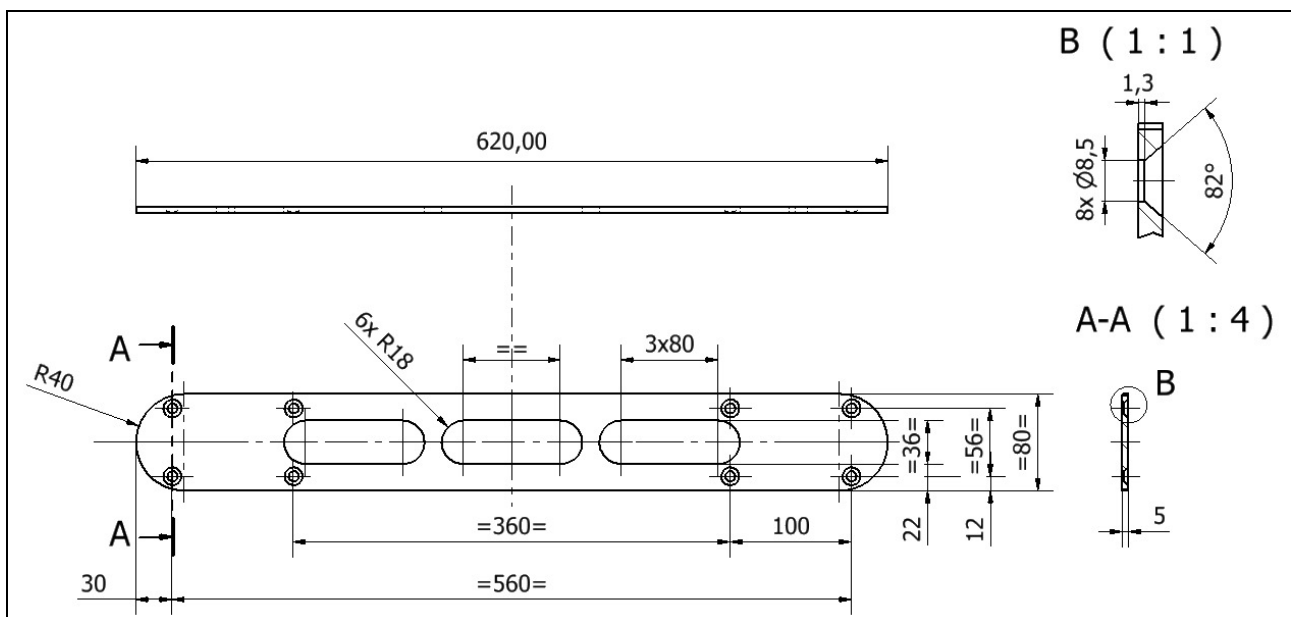
Parameter	Value
Weight	Pedestal: 27.20 kg (60 lbs)
Pedestal Dimensions (HxWxD)	Approx. 1870 mm x 550 mm x 45 mm (73 x 22 x 2 in) excluding base plate.
Connection for pedestal	IEC Supply Power Cord and Ethernet Cable

## 9.2 Electrical Data

Parameter	Value
Power supply	100/240 Volts AC, 0.5 A, 50/60 Hz
Power consumption	25 W max
Conformity	CE, EN 60950-1, EN 50364
Microchip compatibility	TAGSYS C370 (NXP SLI), C370-L (NXP SLI-L), Tag-it™HFI (Texas Instruments), ISO 15693 supporting AFI and read multiple block command: LRI-2K & EM4233 for example. TAGSYS C220/C320 Chips.
Operating temperature	0 to 40 °C (32 to 104 °F)
Storage temperature	-20 to 60 °C (-4 to 140 °F)
Fuse on AC mains	Schurter FST, 5X20mm, Time-Lag T, H, 250VAC, 500mA
Fuse on DC supply	Schurter SPT, 5X20mm, Time-Lag T, H, 300VDC, 2A

## 9.3 LSP3 Clear Mechanical Drawings

Figure 34: Mechanical Dimensions of Pedestal Base Fixing Plate



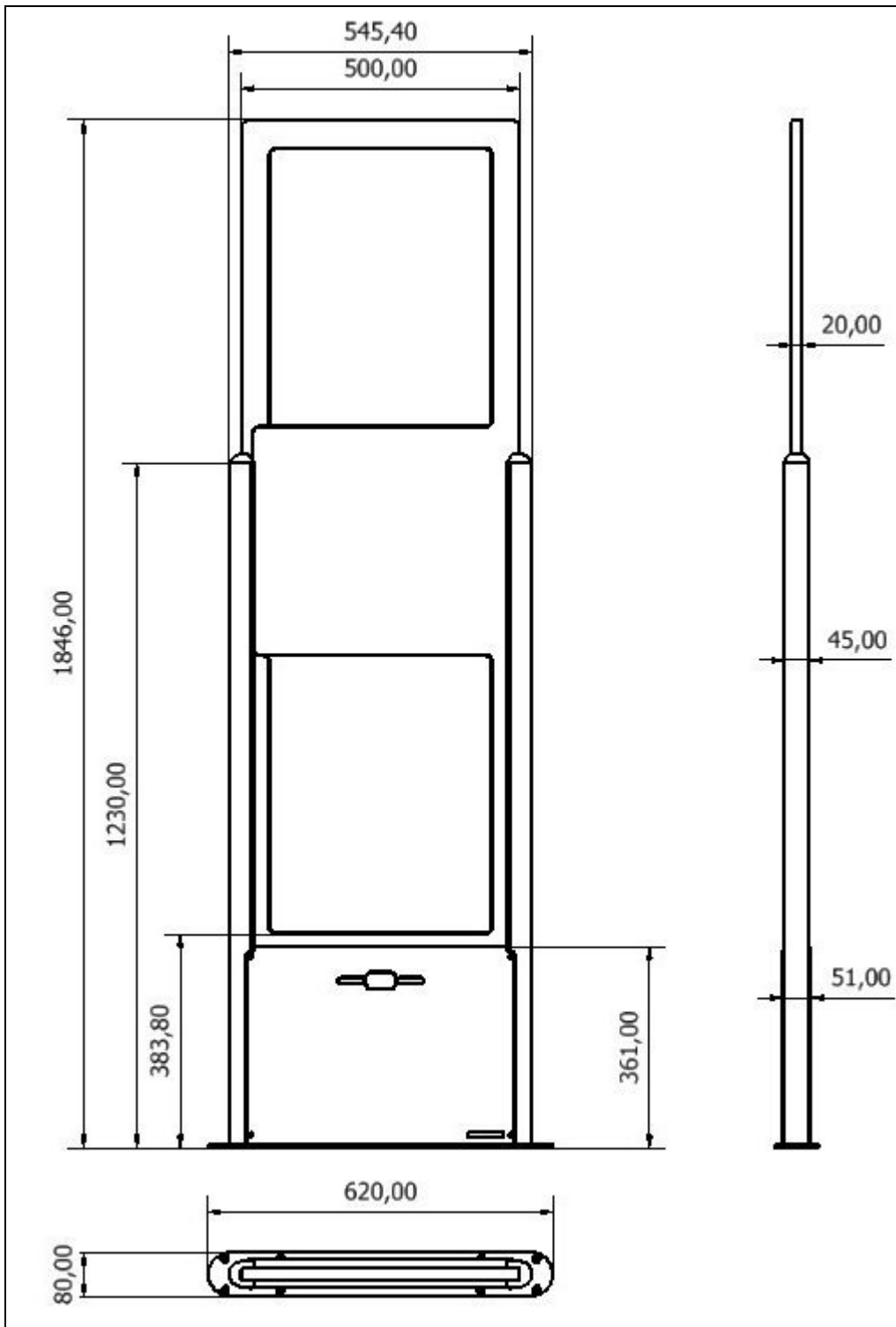


Figure 35: Outer Dimensions of LSP3 Clear Panel

---

# 10 Performance Test

---

## 10.1 Test Conditions

- Distance between each pedestal not greater than the maximum recommended distance of 915 mm (3 ft.).
- All tags used must have the theft bit set. Use of reference tag (Antenna Tuning Kit Test Card) is strongly recommended for repeatable results.
- Testing to be carried out at walking pace (maximum of 1 meter/second).
- Metal, conductive materials, human hands or body must not shield tags.
- All books must have tags inserted according to the 4 positions; 20-mm offset grid recommendation.
- Minimum thickness of books should be 16 mm
- Each EAS system shall be installed, commissioned, tuned and operated according to TAGSYS instructions.

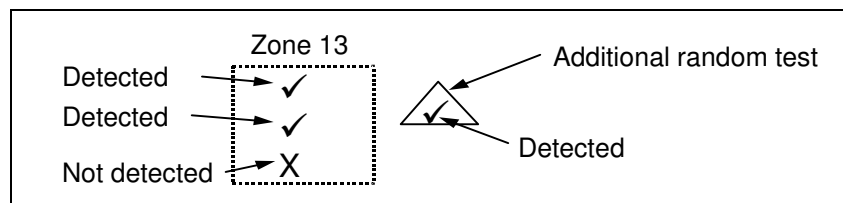
## 10.2 Test Procedure

1. Divide the gate into 15 test zones as shown. **Tip:** Use masking tape to temporarily mark the floor and pedestals.
2. Using the locked reference tag(s), walk through the gate positioning the tag in the center of each zone.  
(Start at test zone 1 and sequentially test each zone in turn)
3. If either or both pedestals sound an alarm, indicate the zone box with a check mark. If neither sounds an alarm, indicate with a cross.
4. Repeat the test with the tag in three orientations for each zone. (Vertical, Horizontal & Facing positions)
5. Mark the random tests with a check mark or cross inside a triangle in the appropriate test zone.

**Figure 36: Tag Orientation**



**Figure 37: Example**



## L-SP3 EAS Performance Test



Library / Facility installed: \_\_\_\_\_  
 Location of Pedestals: \_\_\_\_\_  
 Specific installation notes: \_\_\_\_\_

**Figure 38: Test Chart**

Pedestal A

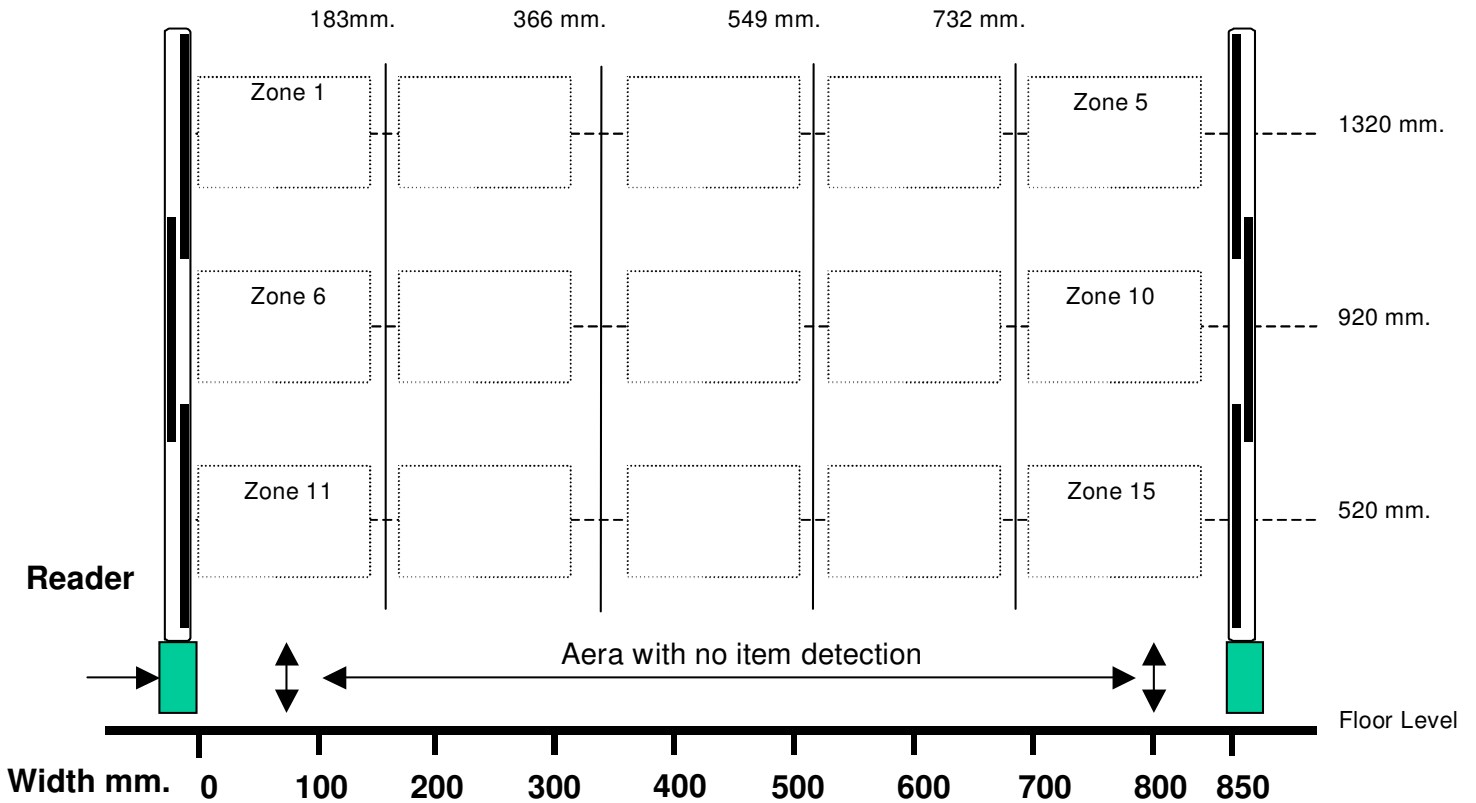
S/N: \_\_\_\_\_

Software Version: \_\_\_\_\_

Pedestal B

S/N: \_\_\_\_\_

Software Version: \_\_\_\_\_



Number of Tags used: \_\_\_\_\_ Alarm lights working OK (Y/N) \_\_\_\_\_  
 Serial number(s) of reference Tag(s): \_\_\_\_\_ Buzzers functioning OK (Y/N) \_\_\_\_\_  
 \_\_\_\_\_ Test Result \_\_\_\_\_ %

Test comments: \_\_\_\_\_

Tested By: Name: \_\_\_\_\_ Company: \_\_\_\_\_  
 Signature: \_\_\_\_\_ Date \_\_\_\_\_



---

# 11 Warranty Conditions

---

TAGSYS warrants that its L-SP3 shall comply with the functional specifications set forth herein for a period of one year from the date of delivery to the Buyer.

This warranty is valid for the original Buyer of the Product and is not assignable or transferable to any other party.

TAGSYS cannot be responsible in any way for, and disclaims any liability in connection with the operation or performance of:

- Any product in which the Product is incorporated;
- Any equipment not supplied by TAGSYS which is attached to or used in connection with the Product; or,
- The Product with any equipment.

This warranty only applies to the Product and excludes all other equipment.

Optimal operation and performance of the Product are obtained by using TAGSYS' readers, by applying TAGSYS installation guidelines and by having your installation reviewed by a CIT (Certified Integrator by TAGSYS) technical consultant.

The TAGSYS warranty does not cover the installation, maintenance or service of the Product and is strictly limited to the replacement of Products considered as defective by TAGSYS and returned according to the return procedure defined below; in such case, TAGSYS will, at TAGSYS' option, either replace every defective Product by one new Product or refund the purchase price paid by Buyer to TAGSYS for the defective Product.

## 11.1 Warranty Exclusions

The following conditions are not covered under the warranty:

- Defects or damages resulting from storage of the Product under conditions that do not comply with TAGSYS specifications or normal usage.
- Defects or damages resulting from use of the Product in abnormal conditions (abnormal conditions being defined as any conditions exceeding the ones stated in the product specifications).
- Defects or damages from misuse, accident or neglect.
- Defects from improper testing, operation, maintenance or installation.
- Defects from alteration, modification except modifications or adjustments specifically described in this Product reference guide, adjustment or repair, or any attempt to do any of the foregoing, by anyone other than TAGSYS.
- Any action on the product that prevents TAGSYS to perform an inspection and test of the Product in case of a warranty claim.
- Tampering with or abuse of the Product.
- Any use or incorporation by the Buyer or a third party of TAGSYS' Product into life saving or life support devices or systems, or any related products; TAGSYS expressly excludes any liability for such use.

## 11.2 General Provisions

This warranty sets forth the full extent of TAGSYS responsibility regarding the Product.

In any event, TAGSYS warranty is strictly limited to (at TAGSYS' sole option) the replacement, the repair or refund of the Products purchase price to TAGSYS, of Products considered as defective by TAGSYS.

The remedy provided above is in lieu and to the exclusion of all other remedies, obligations or liabilities on the part of TAGSYS for damages, whether in contract, tort or otherwise, and including but not limited to, damages for any defects in the Products or for any injury, damage, or loss resulting from such defects or from any work done in connection therewith or for consequential loss, whether based upon lost goodwill, lost resale profits, impairment of other goods or arising from claims by third parties or otherwise.

TAGSYS disclaims any explicit warranty not provided herein and any implied warranty, guaranty or representation as to performance, quality and absence of hidden defects, and any remedy for breach of contract, which but for this provision, might arise by implication, operation of law, custom of trade or course of dealing, including implied warranties of merchantability and fitness for a particular purpose.



**In all cases, specific warranty conditions as described in the sales contract will always prevail.**

---

## 11.3 How to Return Defective Products

The Buyer shall notify TAGSYS of the defects within 15 working days after the defects are discovered.

Defective Products must be returned to TAGSYS after assignment by a TAGSYS Quality Department representative of an RMA (Return Material Authorization) number. No Products shall be returned without their proof of purchase and without the acceptance number relating to the return procedure.

All Products must be returned in their original packaging.

All Products shall be returned with a report from the Buyer stating the complete details of the alleged defect.

Call +33 4 91 27 57 36 for return authorization and shipping address.

If returned Products prove to be non-defective, a charge will be applied to cover TAGSYS' analysis cost and shipping costs.

If the warranty does not apply for returned Products (due to age, or application of a warranty exclusion clause), a quote for replacement will be issued, and no replacement will be granted until a valid purchase order is received. If no purchase order is received within 30 days after the date of TAGSYS quote, TAGSYS will return the products and charge the analysis cost and shipping costs.

All replaced Products shall become the property of TAGSYS.

The Product Return Form is included on the following page. This form should accompany any product you need to return to TAGSYS for analysis in the event of a problem.

# Product Return Form

**Customer Profile:**

**Company:** .....  
**Address:** .....  
.....  
.....  
.....  
**City & State:** .....  
**Zip Code:** .....  
**Country:** .....

**Contact Name:** .....  
**Contact e-mail:** .....  
**Contact Phone:** .....  
**Contact Fax:** .....

**Order identification:** .....  
**Product Name:** .....  
.....  
**Order Number (OEF):** .....

**Invoice Number:** .....  
**Return Quantity:** .....

**Parcel Pick up:**  
**Length:** ..... **Height:** .....  
**Width:** ..... **Weight:** .....

**Address to collect the parcel:**  
.....  
.....  
.....  
.....  
.....  
.....  
.....  
.....  
.....  
**Contact:** ..... **Phone:** .....

**Reason for return:**  
.....  
.....  
.....  
.....  
.....

To inform TAGSYS of this return, please email it to  
[RMA@tagsysrfid.com](mailto:RMA@tagsysrfid.com)  
Address to ship the product with this document attached:  
TAGSYS  
QUALITY DEPARTMENT  
180, chemin de Saint Lambert  
13821 La Penne sur Huveaune France

To inform TAGSYS of this return, please also fax it to your Customer Service Representative  
+33 4 91 27 57 01

**Return Procedure**

The product returned will go through stringent quality controls.  
A final analysis report will be sent to you as soon as possible.  
Please contact your Quality Service representative for further details at  
+33 4 91 27 57 00