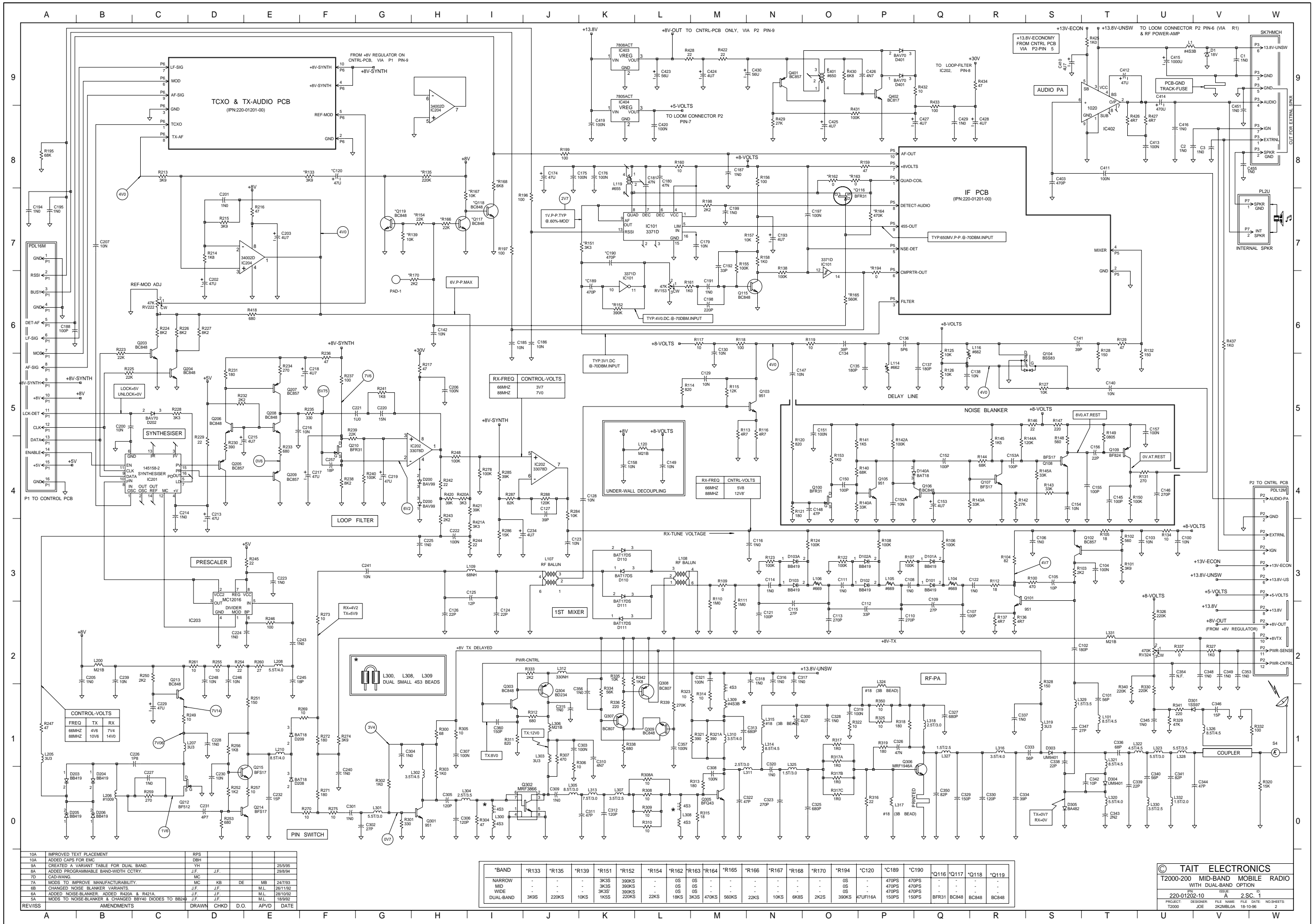


REV/ISS	AMENDMENTS	DRAWN	CHKD	D.O.	APVD	DATE
2B	UPDATED VOLTAGE TABLES	MC	TC		DF	26/11/96
2A	CHANGED TRANSMITTER LAYOUT	MC	TC		DF	12/3/95
1A	CHANGES TO TRANSMITTER AND SYNTH	MC	TC		DF	15/11/94
P1	LAYOUT FOR 220-270 MHZ	J.F.	J.F.		DF	26/9/94

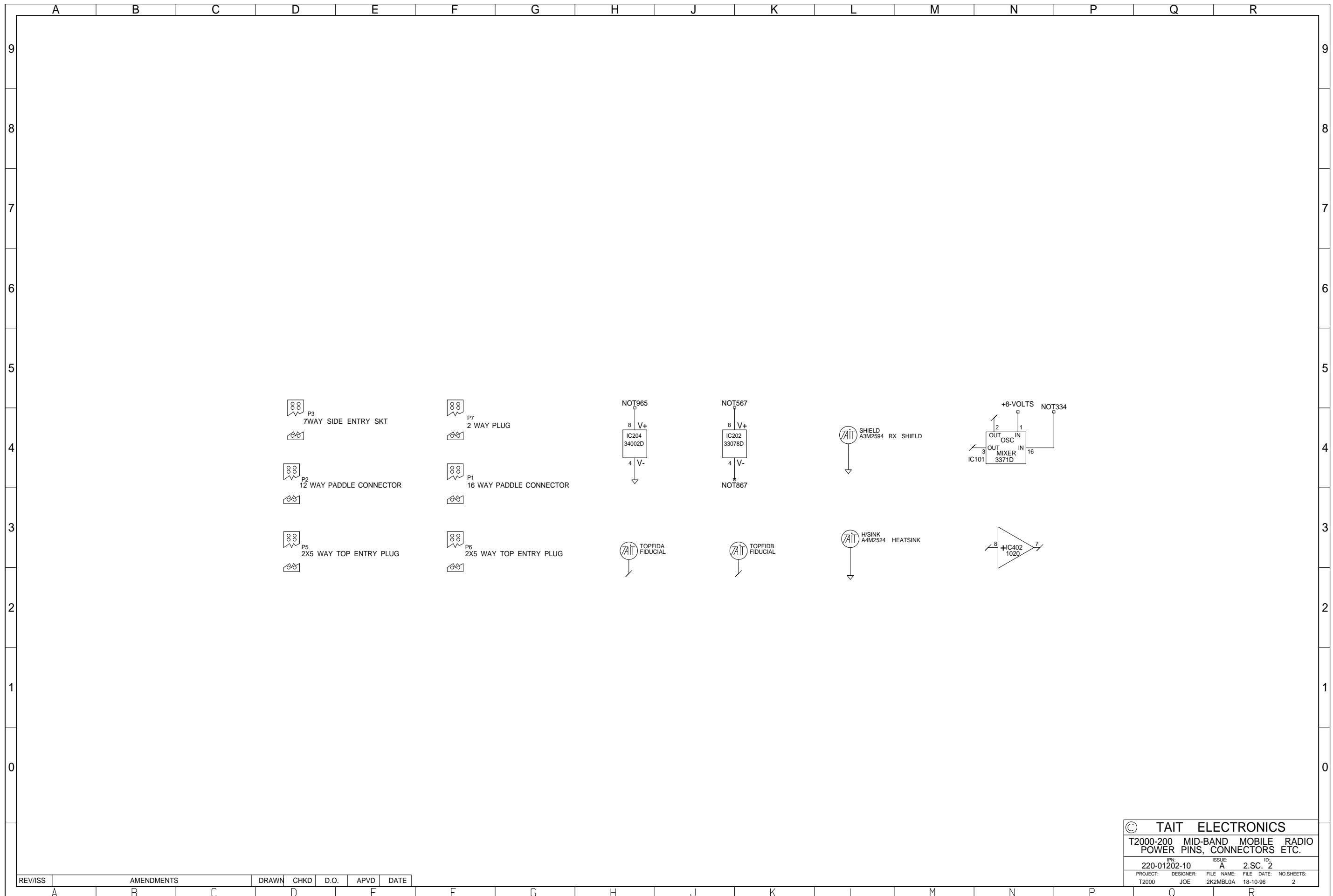
© TAIT ELECTRONICS			
T2000-100 MOBILE RADIO			
220-270MHZ			
PROJECT:	220-01331-02	ISSUE:	2 SC 1
DESIGNER:	JOE	FILE NAME:	2K1M2B
DATE:	26/11/95	NO. SHEETS:	1

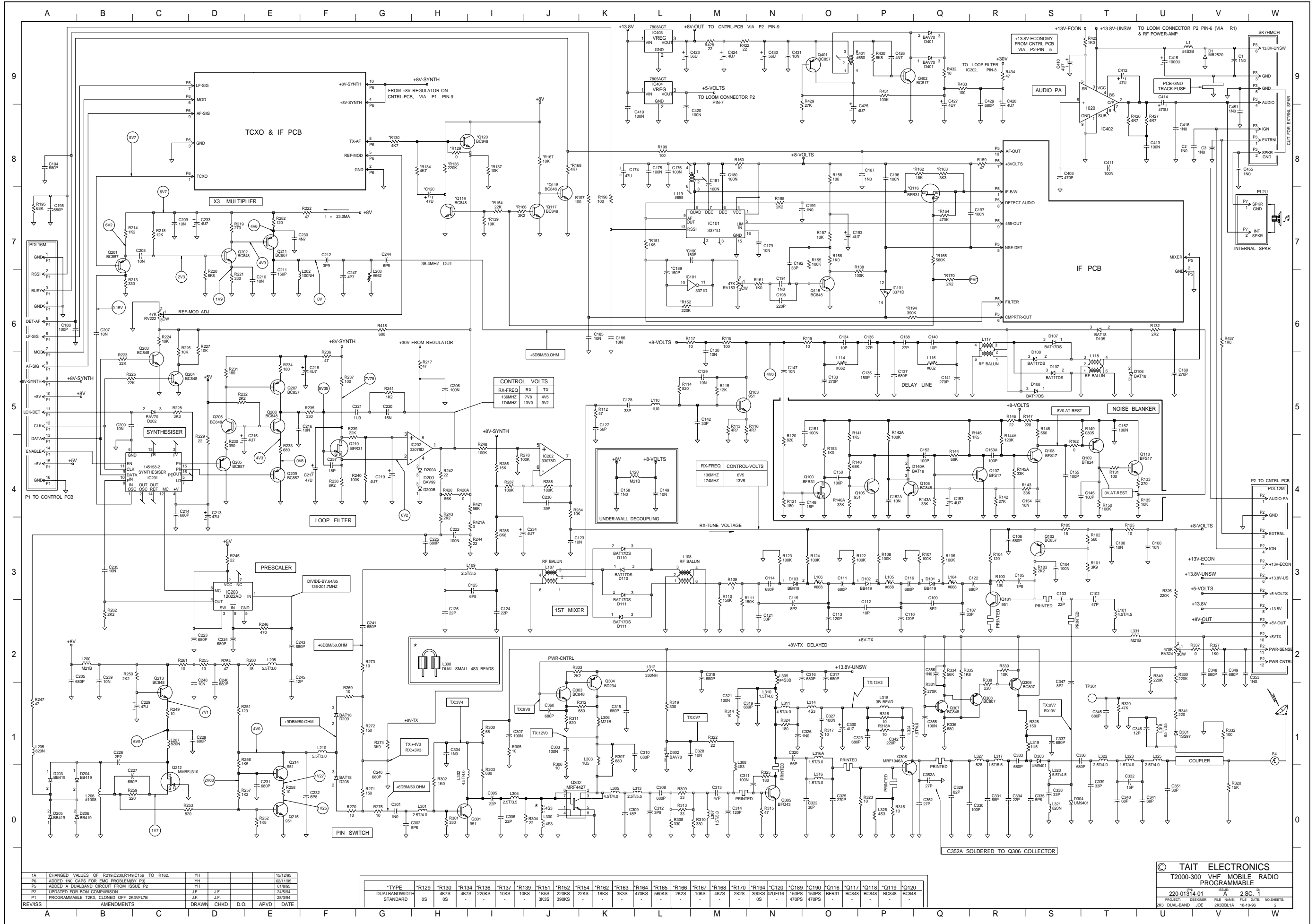


10A	IMPROVED TEXT PLACEMENT	RPS	
10A	ADDED CAPS FOR EMC	DBH	
9A	CREATED A VARIANT TABLE FOR DUAL BAND	YH	25/95
8A	ADDED PROGRAMMABLE BAND-WIDTH CTRY.	J.F.	29/94
7D	CHANGED WANG	MC	
7A	MODS TO IMPROVE MANUFACTURABILITY	MC	NB DE MB 24/93
6B	CHANGED NOISE BLANKER VARIANTS	J.F.	J.F. M.L. 26/1/92
6A	ADDED NOISE-BLANKER ADDED R424A & R424B	J.F.	J.F. M.L. 26/1/92
5A	MODS TO NOISE-BLANKER & CHANGED BB40 DIODES TO BB249	J.F.	J.F. M.L. 19/92
REVISION	AMENDMENTS	DRAWN	CHKD D.O. APVD DATE

*BAND	*R133	*R135	*R139	*R151	*R152	*R154	*R162	*R163	*R164	*R165	*R166	*R167	*R168	*R170	*R194	*C120	*C189	*C190	*Q116	*Q117	*Q118	*Q119
NARROW	-	-	-	3K3S	390KS	-	OS	OS	-	-	-	-	-	-	OS	-	470PS	470PS	-	-	-	-
MP	-	-	-	3K3S	390KS	-	OS	OS	-	-	-	-	-	-	OS	-	470PS	470PS	-	-	-	-
WIDE	-	-	-	3K3S	390KS	-	OS	OS	-	-	-	-	-	-	OS	-	470PS	470PS	-	-	-	-
DUAL-BAND	3K3S	220KS	10KS	1K5S	220KS	22KS	18KS	3K3S	470KS	560KS	22KS	10KS	6K8S	2K2S	390KS	47UF16A	150PS	150PS	BFR31	BC848	BC848	BC848

© TAIT ELECTRONICS	
T2000-200 MID-BAND MOBILE RADIO WITH DUAL-BAND OPTION	
IPN: 220-01202-10	ISSUE: A 2.5C.1
PROJECT: T2000	DESIGNER: JOE
FILE NAME: 2K2M8LBA	FILE DATE: 18-10-96
NO SHEETS: 2	

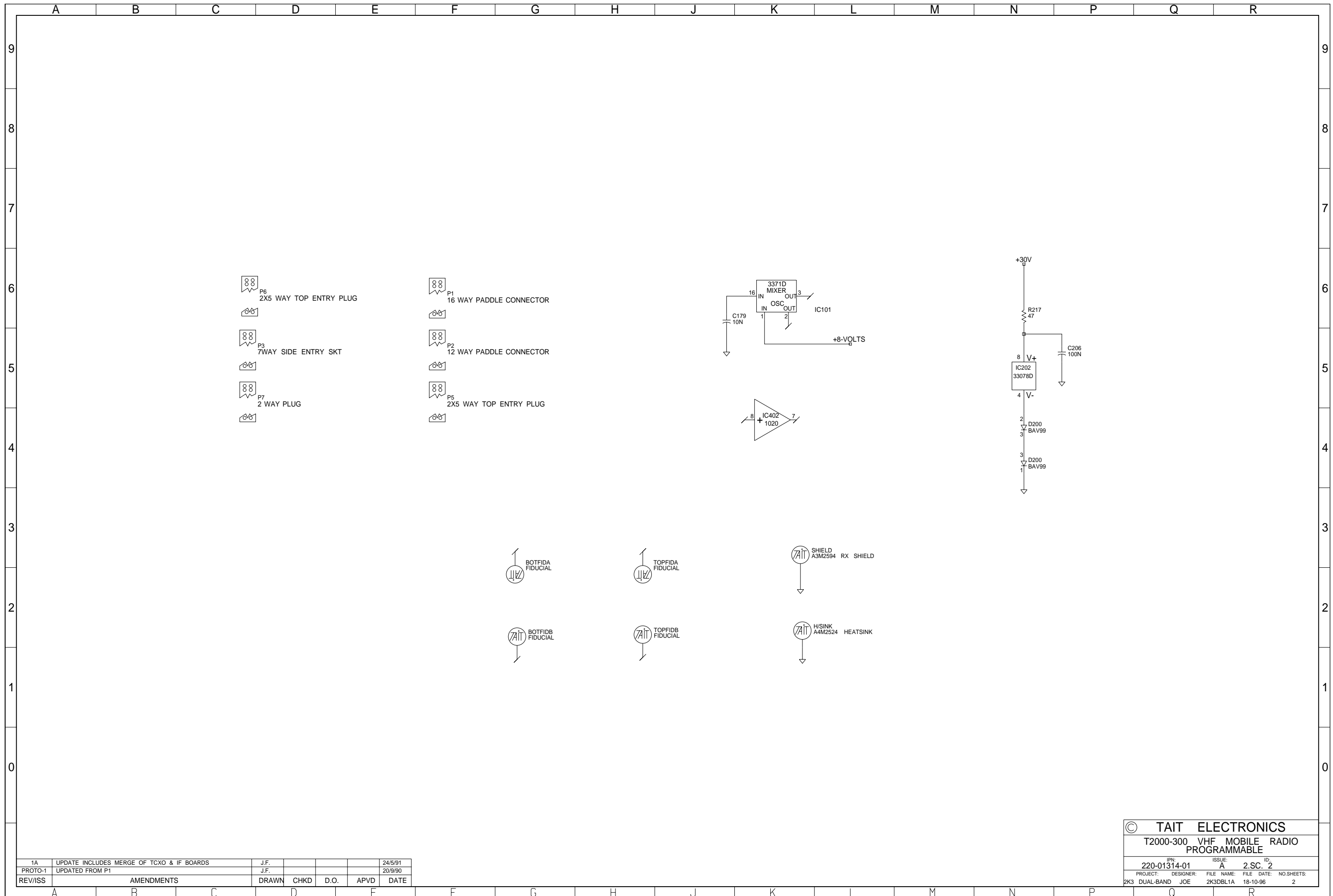




1A	CHANGED VALUES OF R219,C230,R149,C156 TO R162	YH	15/12/96
P6	ADDED 1ND CAPS FOR EMC PROBLEMY P3	YH	02/11/95
P5	ADDED A DUALBAND CIRCUIT FROM ISSUE P2	YH	01/8/95
P2	UPDATED FOR ROBT COMPARISON	J.F.	28/5/94
P1	PROGRAMMABLE T2K3 CLONED OFF 2K3VFL7B	J.F.	28/3/94
REVISS	AMENDMENTS	DRAWN	CHDK
		D.O.	APVD
			DATE

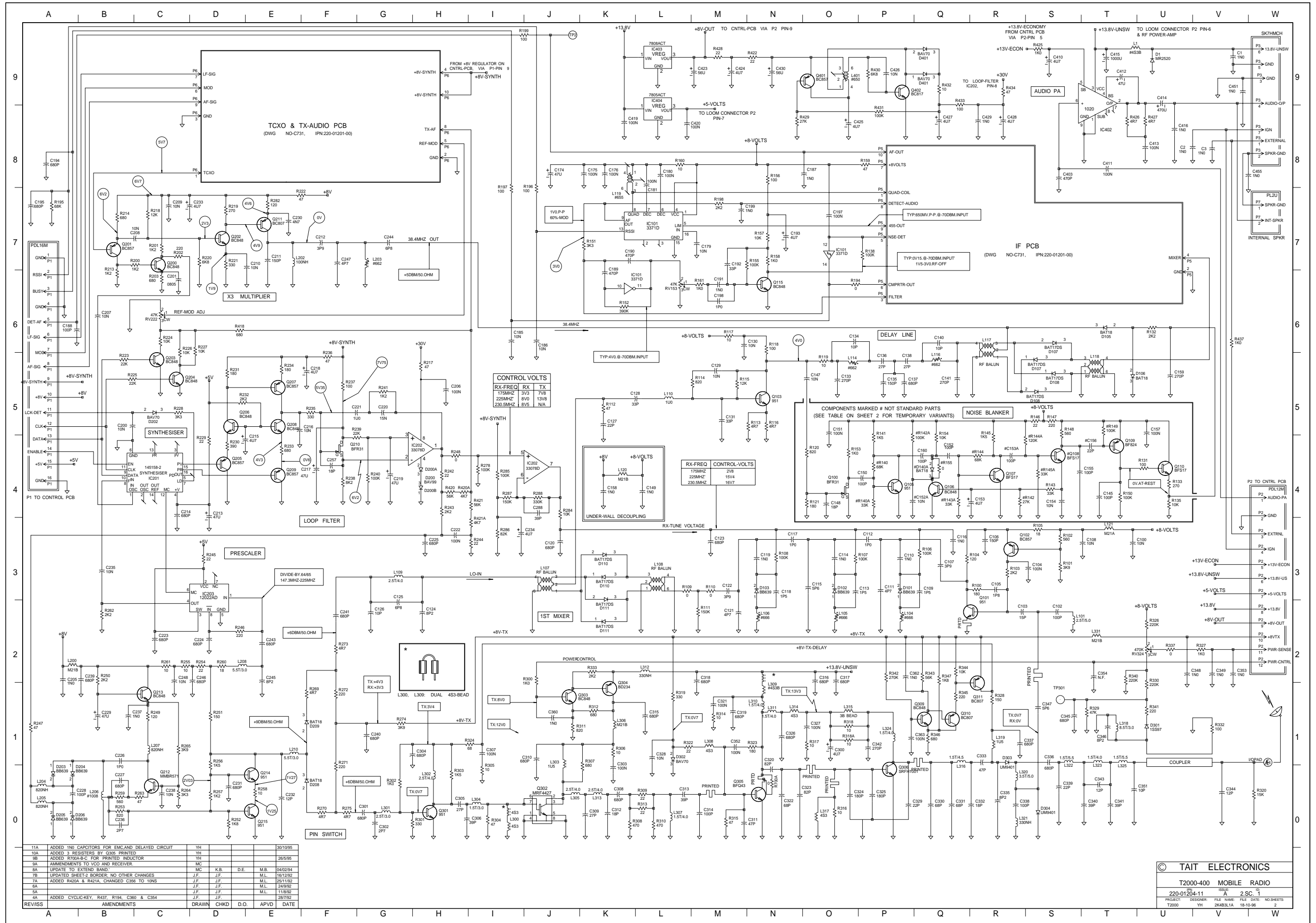
TYPE	*R129	*R130	*R134	*R136	*R137	*R139	*R151	*R152	*R154	*R162	*R163	*R164	*R165	*R166	*R167	*R168	*R170	*R194	*C120	*C189	*C190	*Q116	*Q117	*Q118	*Q119	*Q120
DUALBANDWIDTH STANDARD	OS	4K7/5 OS	4K7/5 220K/5	10K/5	10K/5	10K/5	1K5/5 30K/5	22K/5 300K/5	22K/5	18K/5	3K3/5	470K/5	560K/5	2K2/5	10K/5	4K7/5	2K2/5	390K/5	47UF/16 OS	1500P/5	1500P/5	BFR31	BC848	BC848	BC848	BC848

© TAIT ELECTRONICS
T2000-300 VHF MOBILE RADIO
PROGRAMMABLE
IPN 220-01314-01
2.S.C. 1
PROJECT DESIGNER FILE DATE NO SHEETS
P33 DUAL-BAND JOE 2K3D8L1A 18-10-96 2

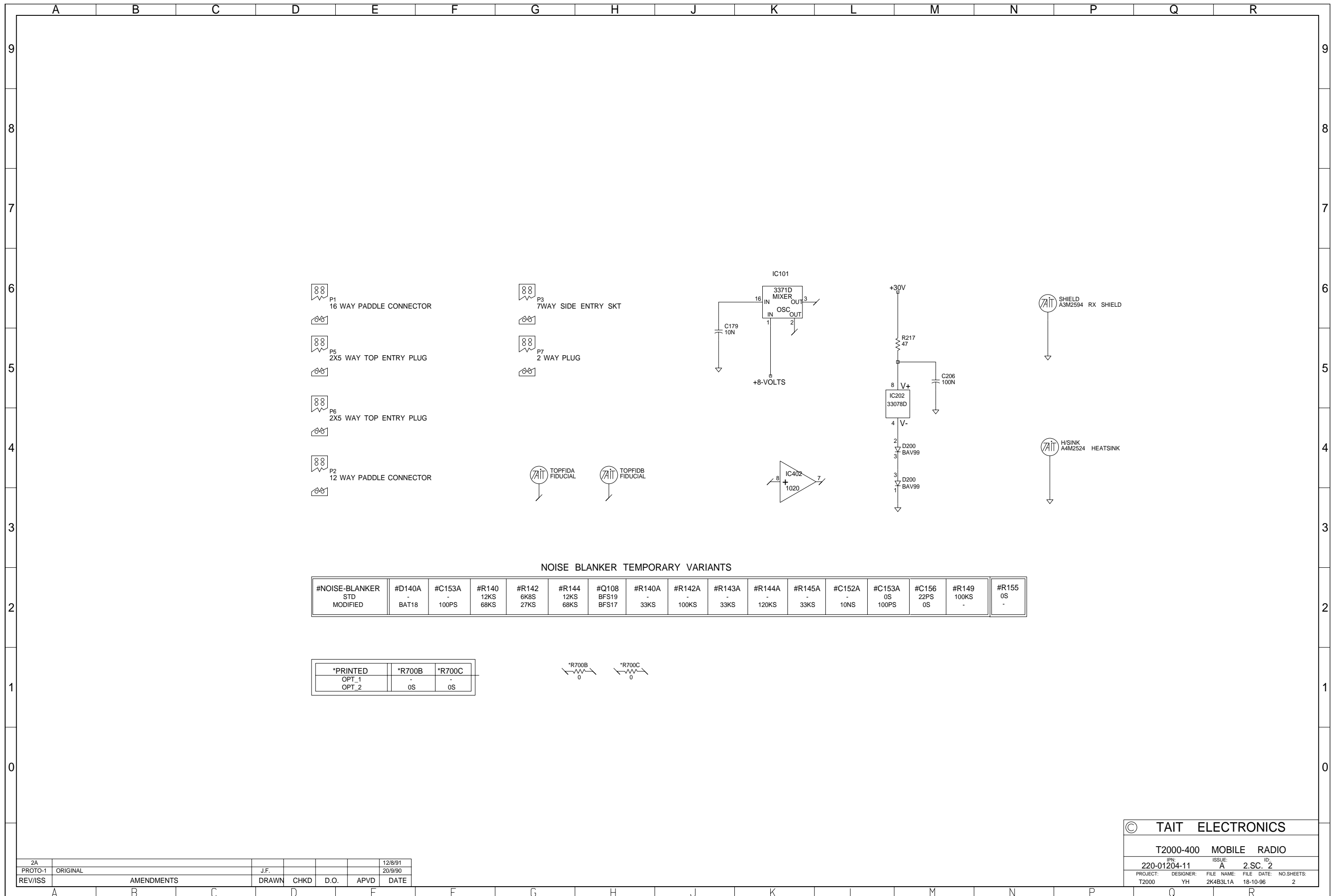


1A	UPDATE INCLUDES MERGE OF TCXO & IF BOARDS	J.F.				24/5/91
PROTO-1	UPDATED FROM P1	J.F.				20/9/90
REV/ISS	AMENDMENTS	DRAWN	CHKD	D.O.	APVD	DATE

© TAIT ELECTRONICS					
T2000-300 VHF MOBILE RADIO PROGRAMMABLE					
IPN:	220-01314-01	ISSUE:	A	2.S.C.	ID: 2
PROJECT:	2K3 DUAL-BAND	DESIGNER:	JOE	FILE NAME:	2K3DBL1A
				FILE DATE:	18-10-96
				NO.SHEETS:	2



© TAIT ELECTRONICS
 T2000-400 MOBILE RADIO
 220-01204-11 2 SC. 1
 PROJECT DESIGNER FILE NAME FILE DATE NO SHEETS
 T2000 YH 2K4B3L1A 18-10-96 2



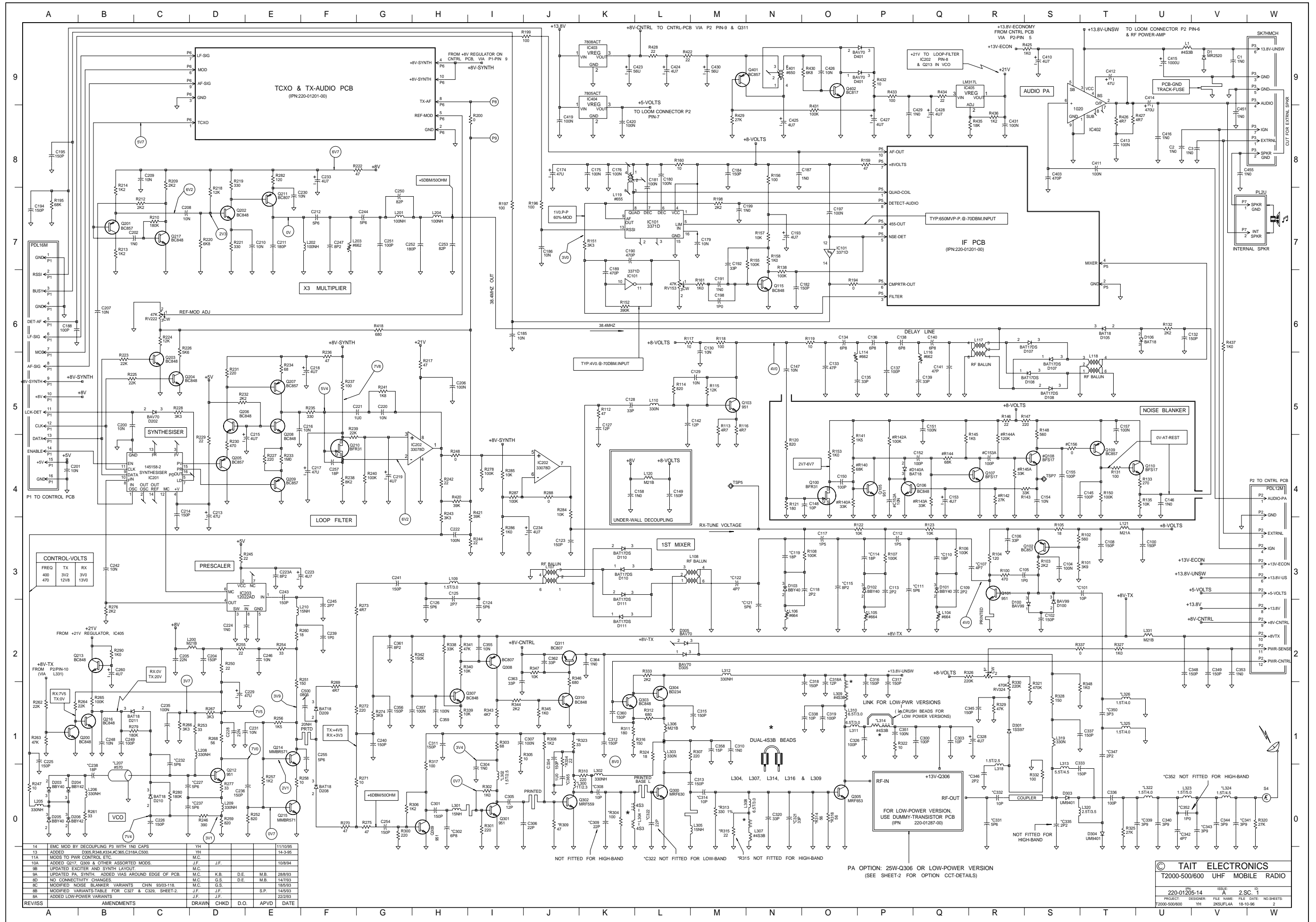
2A						12/8/91
PROTO-1	ORIGINAL		J.F.			20/9/90
REV/ISS	AMENDMENTS	DRAWN	CHKD	D.O.	APVD	DATE

© TAIT ELECTRONICS

T2000-400 MOBILE RADIO

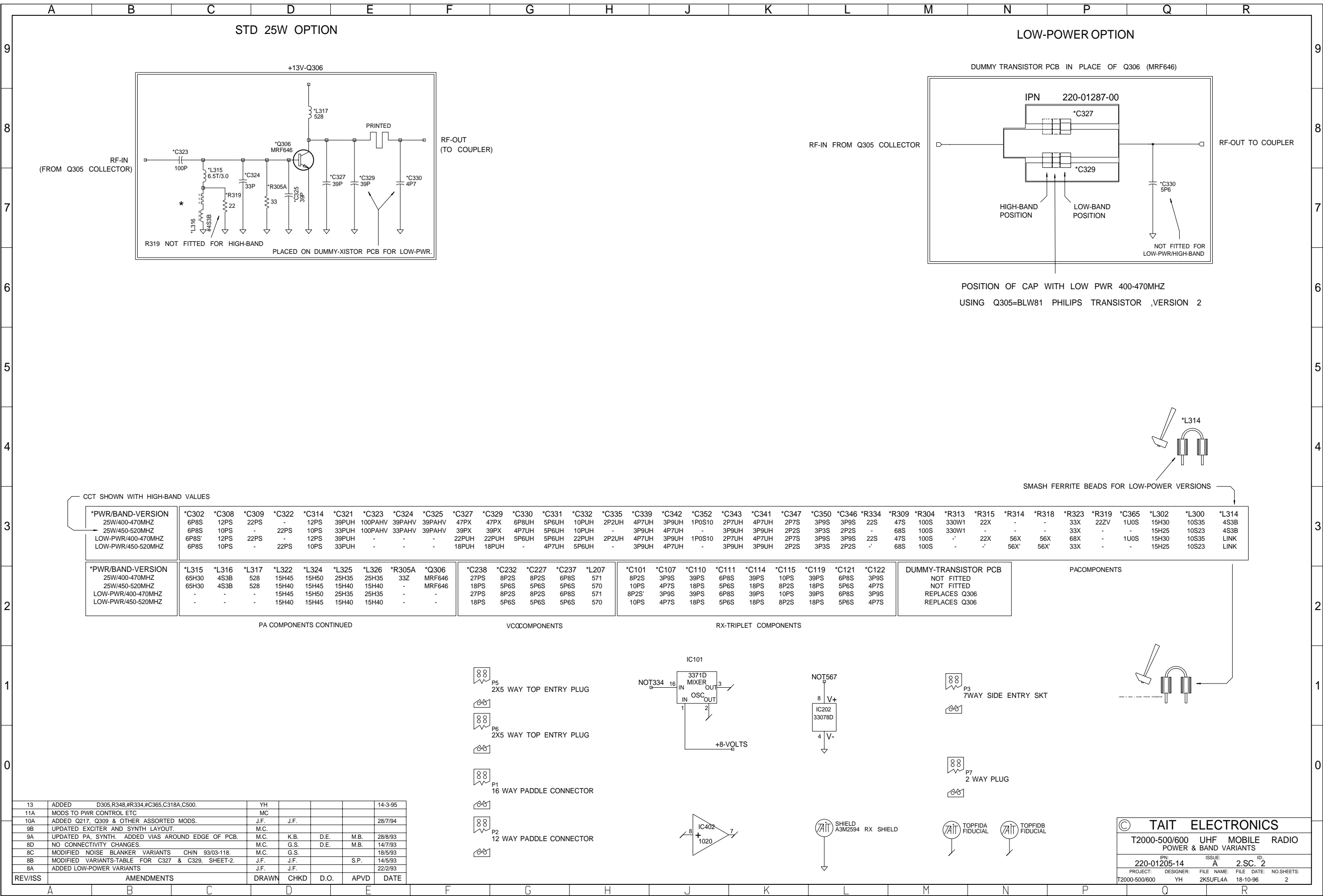
IPN: 220-01204-11 ISSUE: A 2.SC. ID: 2

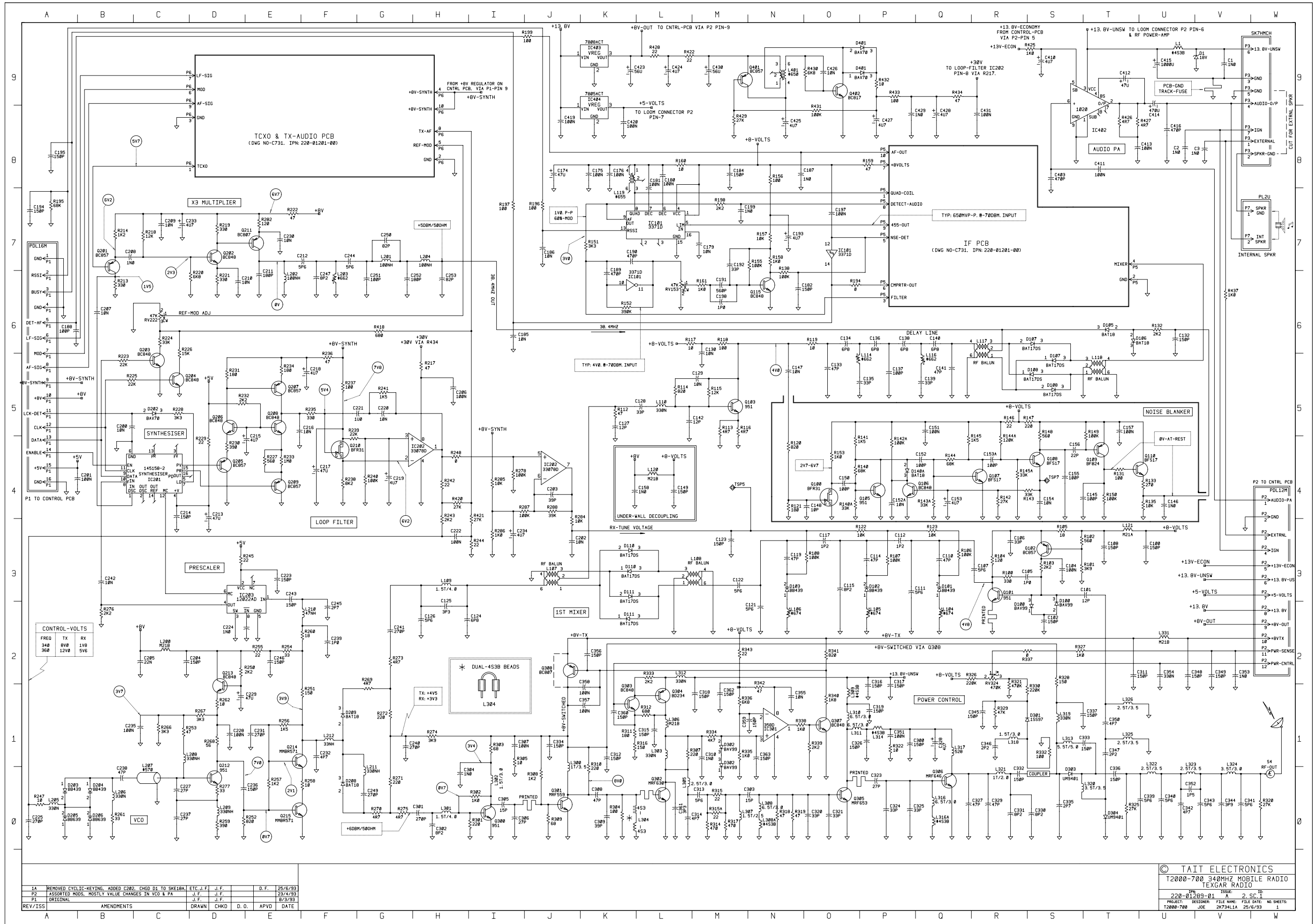
PROJECT: T2000 DESIGNER: YH FILE NAME: 2K4B3L1A FILE DATE: 18-10-96 NO. SHEETS: 2



REV/ISS	AMENDMENTS	DRAWN	CHKD	D.O.	APVD	DATE
14	EMC MOD BY DECOUPLING P3 WITH 1N0 CAPS	YH				11/10/96
13	ADDED D905, R408, R434, IC365, C319A, C300	YH				14-3-96
11A	MODS TO PWR CONTROL ETC.	M.C.	J.F.			10/8/94
10A	ADDED Q217, Q309 & OTHER ASSORTED MODS.	M.C.	J.F.			10/8/94
9B	UPDATED EXCITER AND SYNTH LAYOUT.	M.C.				28/8/93
9A	UPDATED PA SYNTH. ADDED VIAS AROUND EDGE OF PCB.	M.C.	K.B.	D.E.	M.B.	14/7/93
8D	NO CONNECTIVITY CHANGES.	M.C.	G.S.	D.E.	M.B.	18/5/93
8C	MODIFIED NOISE BLANKER VARIANTS CHN 3303-118.	M.C.	G.S.			14/5/93
8B	MODIFIED VARIANTS TABLE FOR Q307 & C305. SHEET 2.	J.F.	J.F.			22/2/93
8A	ADDED LOW-POWER VARIANTS	J.F.	J.F.			22/2/93

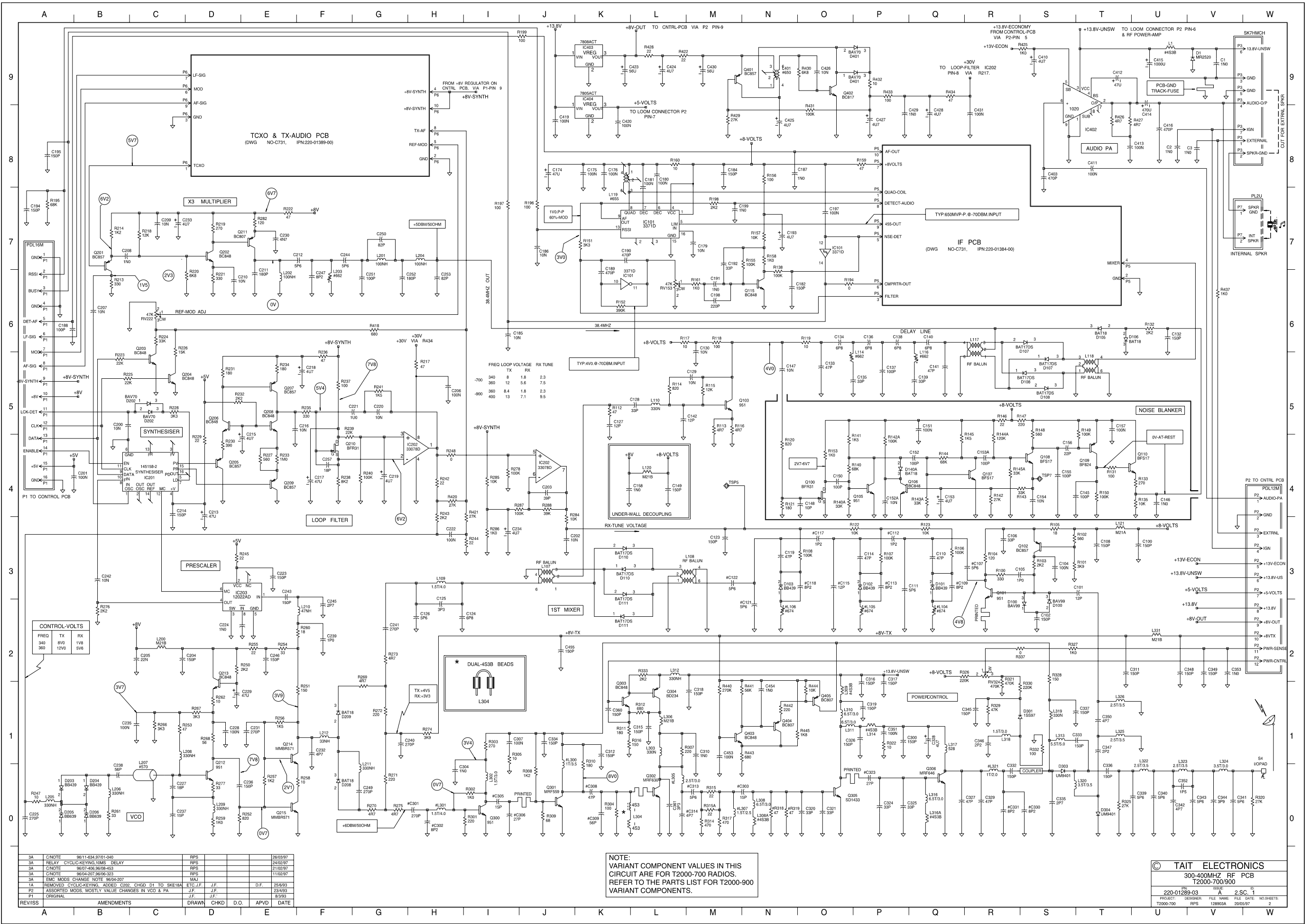
© TAIT ELECTRONICS			
T2000-500/600 UHF MOBILE RADIO			
REV	ISSUE	FILE	DATE
14	2	2SC_1	
13	1	2SC_1	
12	1	2SC_1	
11	1	2SC_1	
10	1	2SC_1	
9	1	2SC_1	
8	1	2SC_1	
7	1	2SC_1	
6	1	2SC_1	
5	1	2SC_1	
4	1	2SC_1	
3	1	2SC_1	
2	1	2SC_1	
1	1	2SC_1	





REV/ISS	AMENDMENTS	DRAWN	CHKD	D.O.	APVD	DATE
1A	REMOVED CYCLIC-KEYING, ADDED C282, CHGD D1 TO SK181A, ETC. J.F.	J.F.				25/6/93
P2	ASSORTED MODS, MOSTLY VALUE CHANGES IN VCO & PA	J.F.				23/4/93
P1	ORIGINAL	J.F.				8/3/93

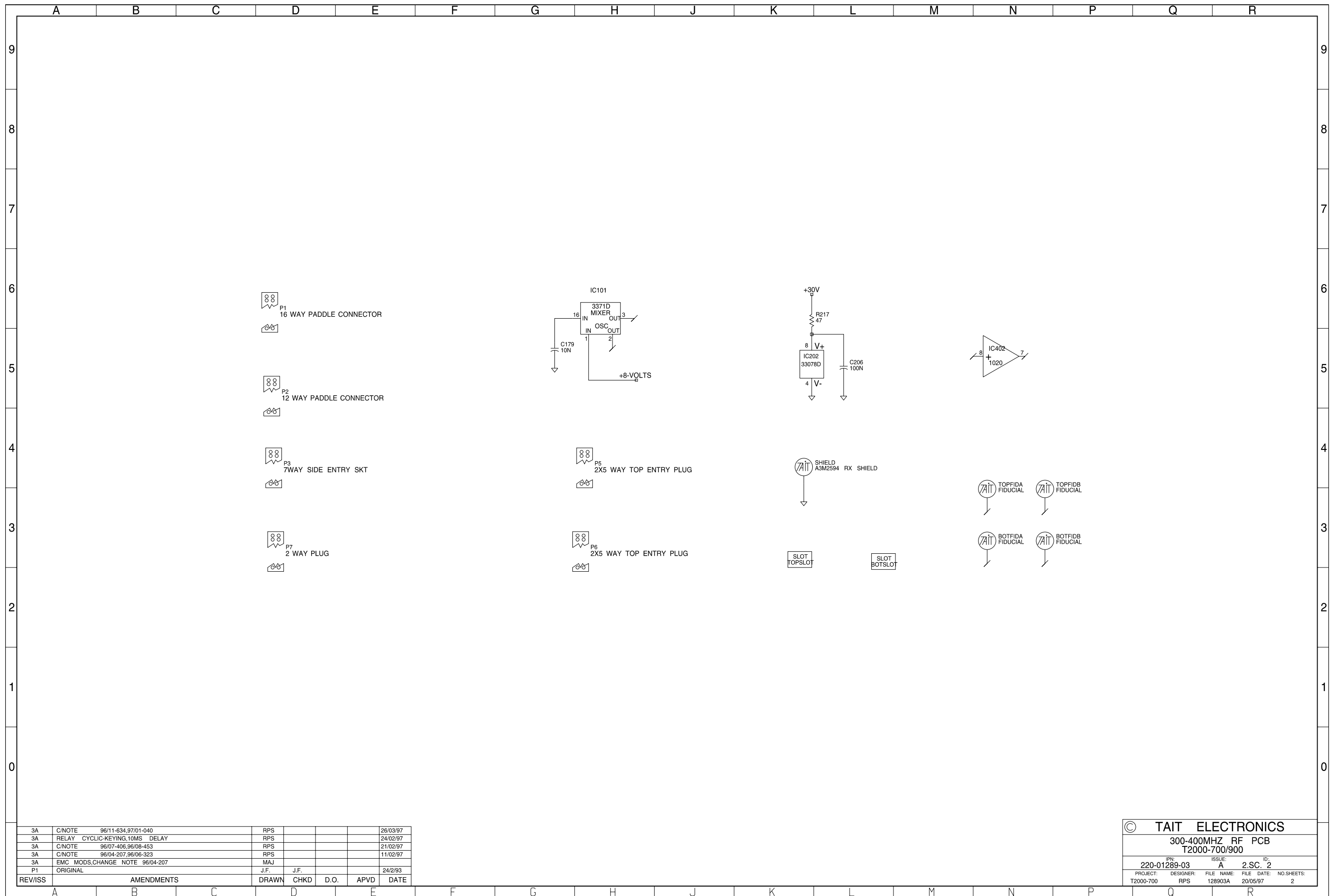
© TAIT ELECTRONICS					
T2000-700 340MHZ MOBILE RADIO					
TEXGAR RADIO					
PROJECT:	DESIGNER:	FILE NAME:	FILE DATE:	NO. SHEETS:	
T2000-700	JOE	2K734L1A	25/6/93	1	



REV/ISS	DESCRIPTION	DATE	BY	CHKD	APVD
3A	C/NOTE 9611-634, 9791-040	26/03/97	RPS		
3A	RELAY CYCLIC-KEYING, 10MS DELAY	24/02/97	RPS		
3A	C/NOTE 9607-406, 9608-453	31/03/97	RPS		
3A	C/NOTE 9609-207, 9609-333	11/03/97	RPS		
3A	EMC MODS CHANGE NOTE 9604-207		MAJ		
1A	REMOVED CYCLIC-KEYING, ADDED C202, CHGD D1 TO SKET18A	25/6/93	J.F.		
P2	ASSORTED MODS, MOSTLY VALUE CHANGES IN VCO & PA	23/4/93	J.F.		
P1	ORIGINAL	8/3/93	J.F.		

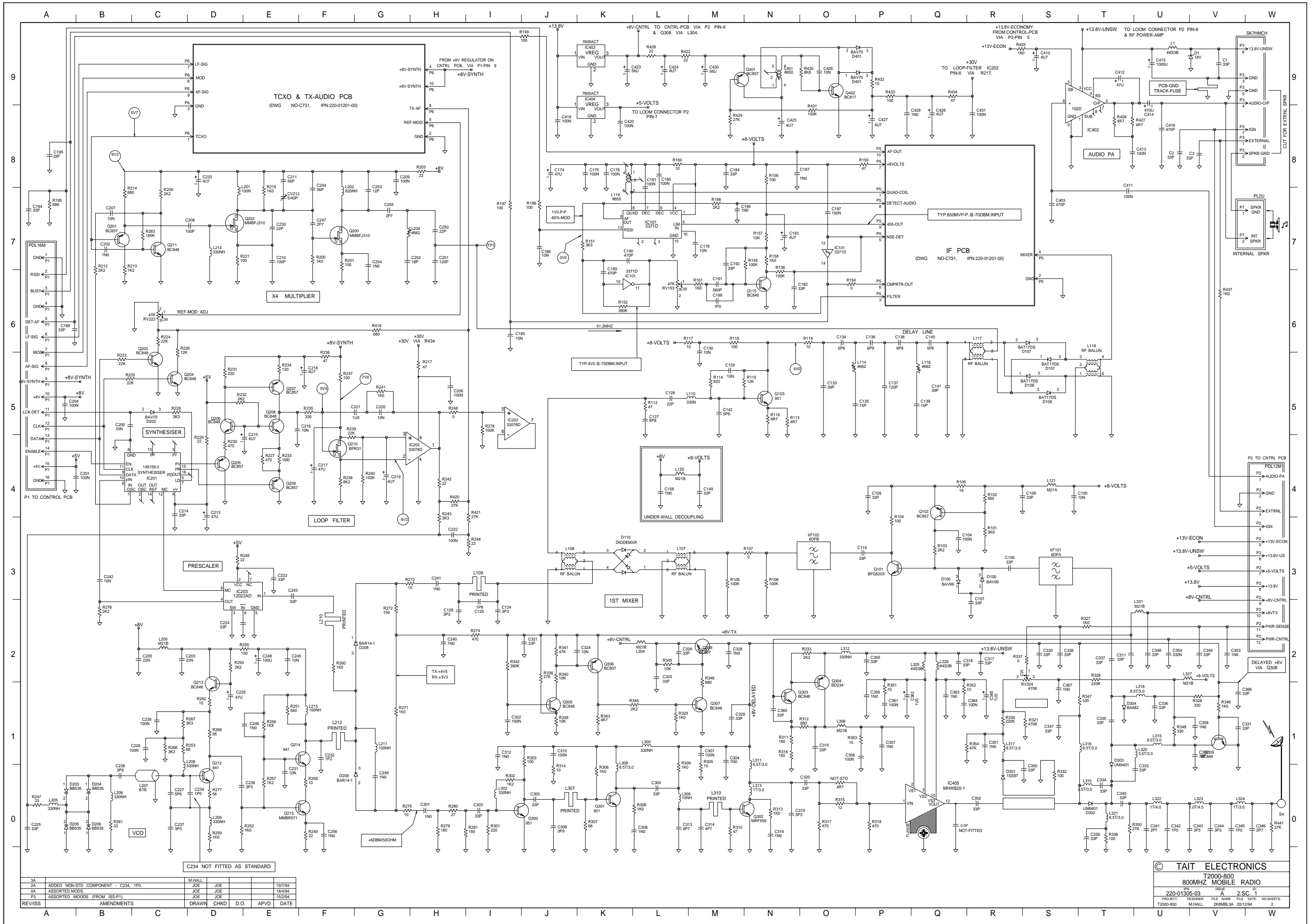
NOTE:
VARIANT COMPONENT VALUES IN THIS CIRCUIT ARE FOR T2000-700 RADIOS. REFER TO THE PARTS LIST FOR T2000-900 VARIANT COMPONENTS.

© TAIT ELECTRONICS
300-400MHz RF PCB
T2000-700/900
IPN 220-01289-03
PROJECT: 128903A
RPS
ISSUE: 2.5C.1
DATE: 20/05/97
NO. SHEETS: 2



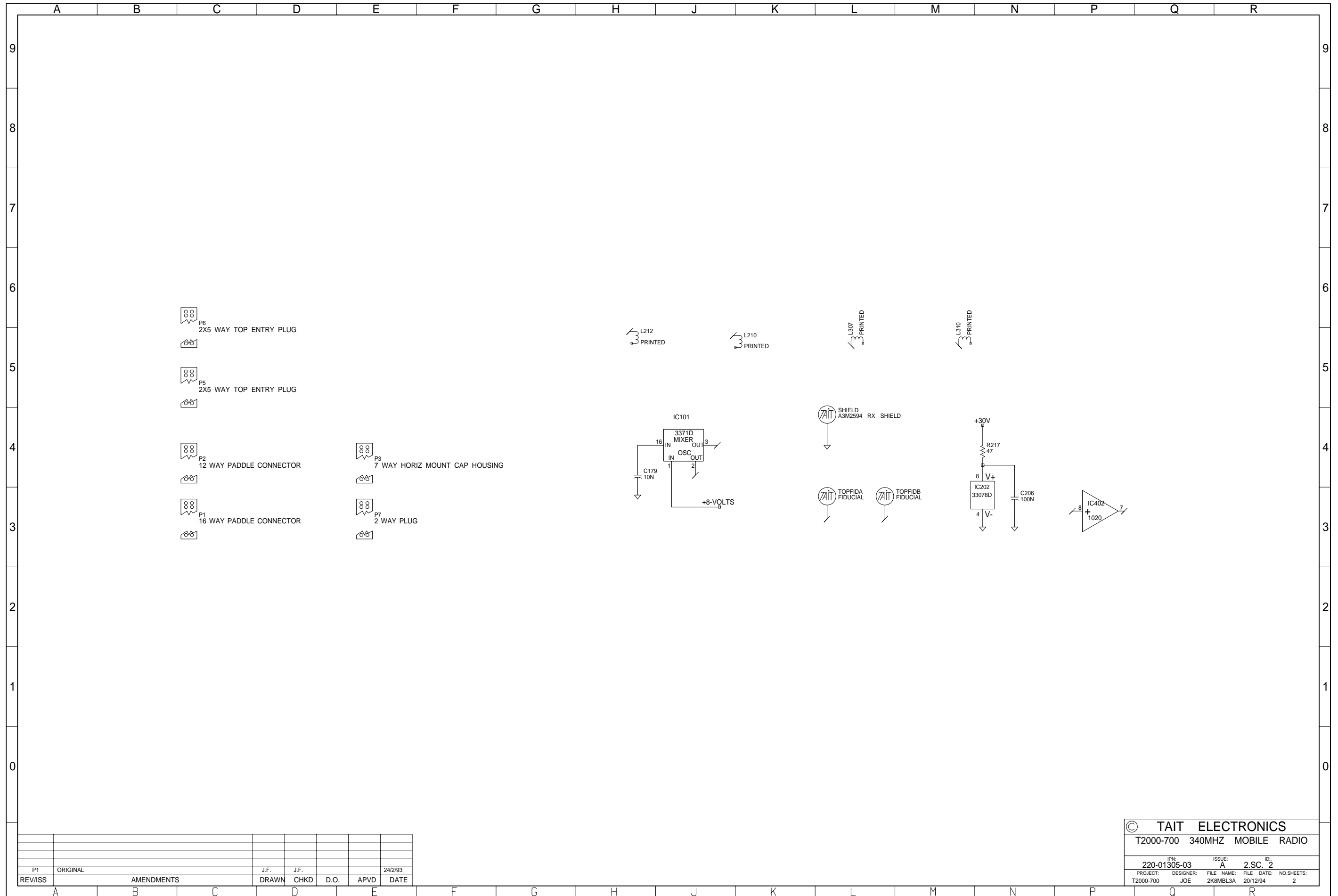
3A	C/NOTE	96/11-634,97/01-040	RPS			26/03/97	
3A	RELAY	CYCLIC-KEYING,10MS DELAY	RPS			24/02/97	
3A	C/NOTE	96/07-406,96/08-453	RPS			21/02/97	
3A	C/NOTE	96/04-207,96/06-323	RPS			11/02/97	
3A	EMC	MODS.CHANGE NOTE 96/04-207	MAJ				
P1	ORIGINAL		J.F.	J.F.		24/2/93	
REV/ISS	AMENDMENTS		DRAWN	CHKD	D.O.	APVD	DATE

© TAIT ELECTRONICS					
300-400MHZ RF PCB					
T2000-700/900					
IPN:	220-01289-03	ISSUE:	A	ID:	2.SC. 2
PROJECT:	T2000-700	DESIGNER:	RPS	FILE NAME:	128903A
		FILE DATE:	20/05/97	NO.SHEETS:	2



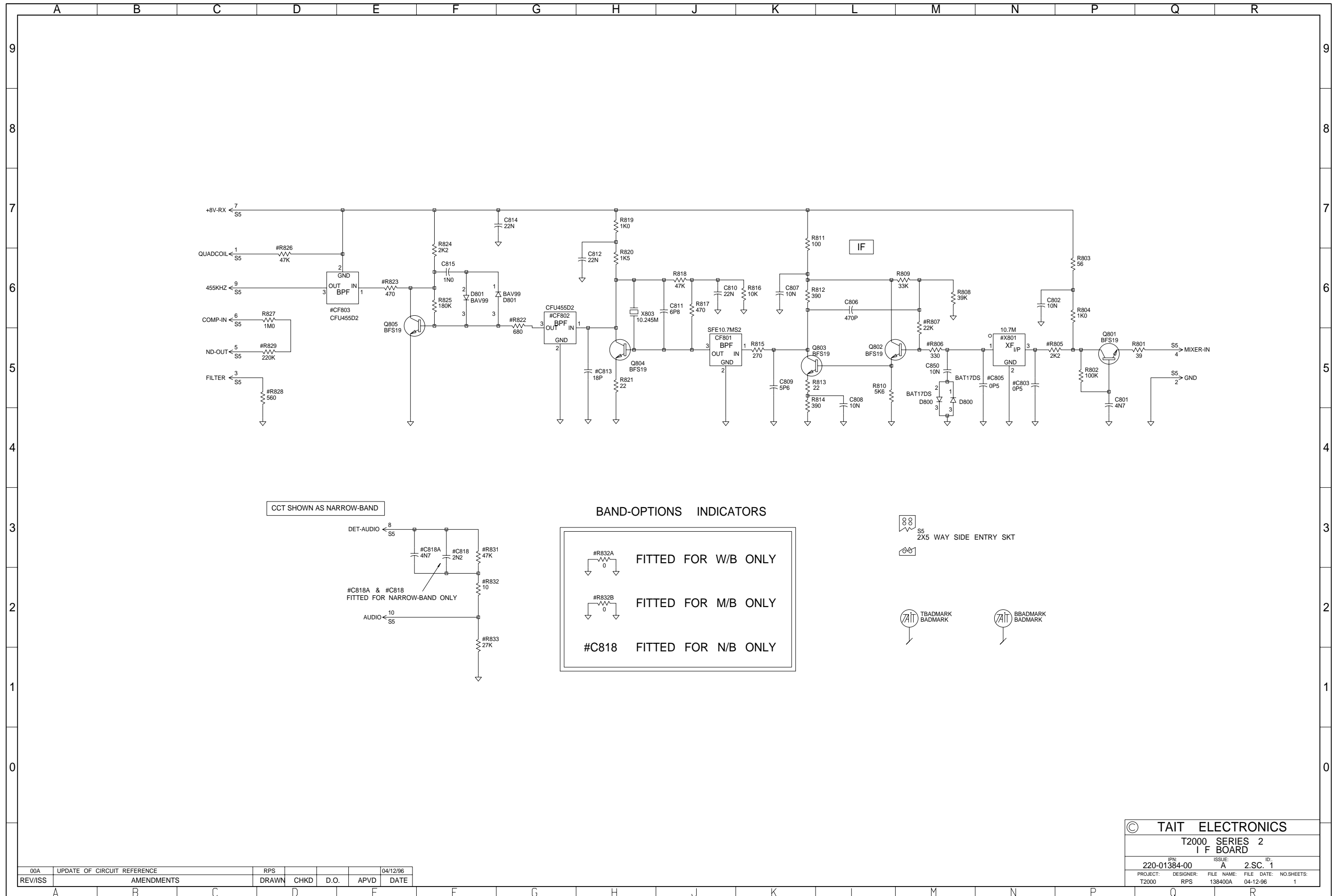
3A									
2A	ADDED NON-STD COMPONENT - C234, 1P0.	M.HALL	JOE	JOE					197/94
0A	ASSORTED MODES	JOE	JOE	JOE					184/94
P3	ASSORTED MODES (FROM ISS-P1)	JOE	JOE	JOE					152/94
REVISE	AMENDMENTS	DRAWN	CHKD	D.O.	APVD	DATE			

© TAIT ELECTRONICS	
T2000-800	
800MHZ MOBILE RADIO	
IPN	ISSUE
220-01305-03	A 2.S.C. 1
PROJECT	DESIGNER
T2000-800	M.HALL
FILE NAME	FILE DATE
2KMBL3A	2012/94
NO SHEETS	
2	

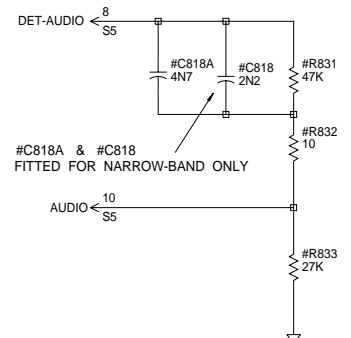


REV/ISS	DESCRIPTION	DRAWN	CHKD	D.O.	APVD	DATE
P1	ORIGINAL	J.F.	J.F.			24/2/93
	AMENDMENTS					

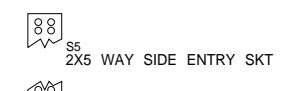
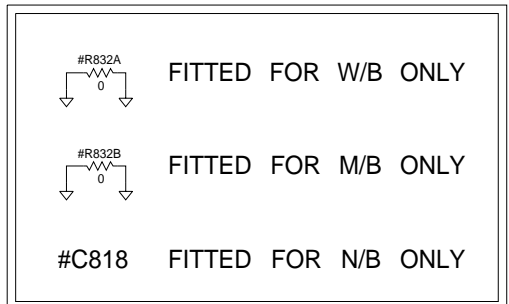
© TAIT ELECTRONICS			
T2000-700 340MHZ MOBILE RADIO			
IPN:	ISSUE:	ID:	
220-01305-03	A	2.SC. 2	
PROJECT:	DESIGNER:	FILE NAME:	FILE DATE: NO.SHEETS:
T2000-700	JOE	2K8MBL3A	20/12/94 2



CCT SHOWN AS NARROW-BAND

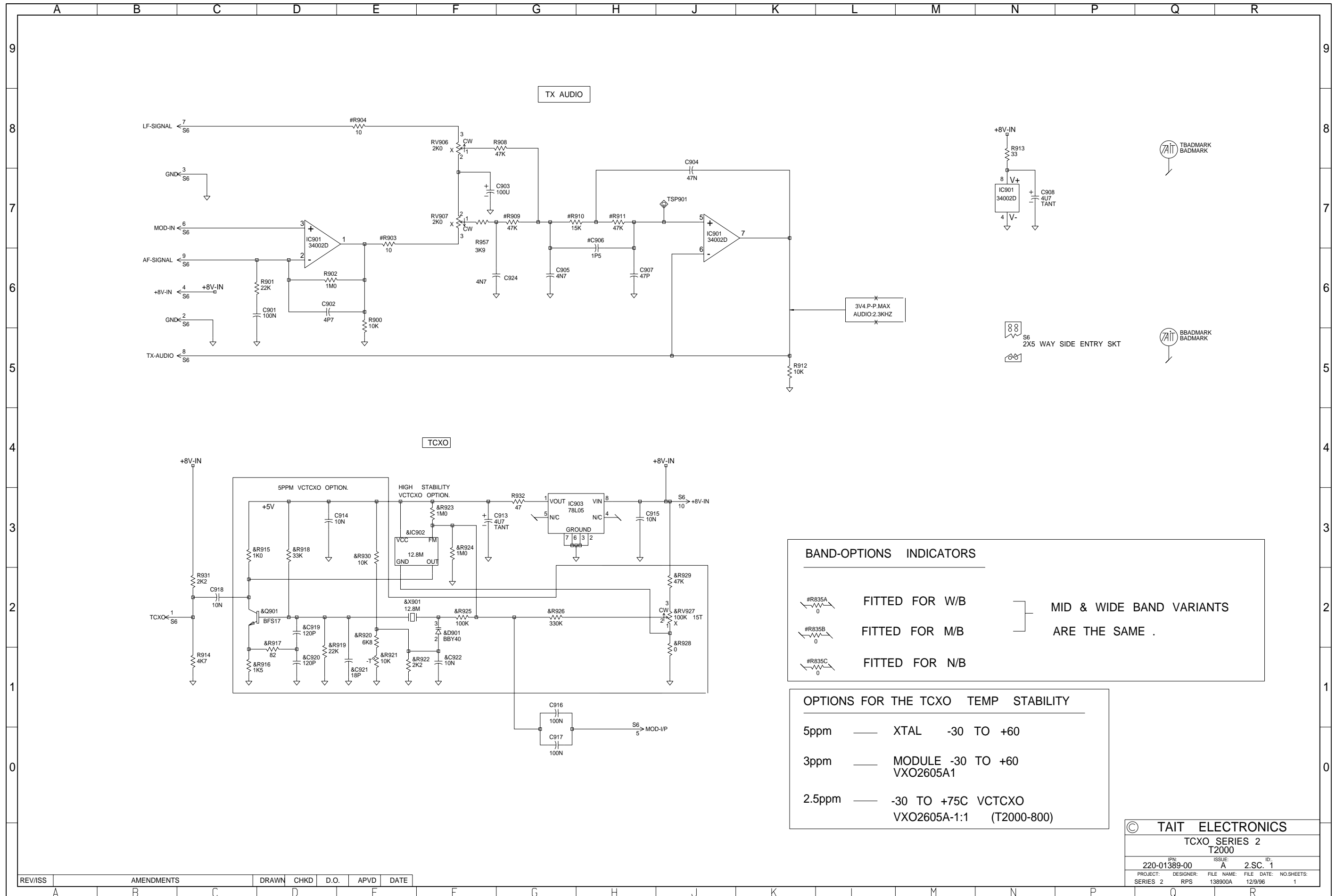


BAND-OPTIONS INDICATORS



00A	UPDATE OF CIRCUIT REFERENCE	RPS				04/12/96
REV/ISS	AMENDMENTS	DRAWN	CHKD	D.O.	APVD	DATE

© TAIT ELECTRONICS			
T2000 SERIES 2			
I F BOARD			
IPN:	ISSUE:	FILE NAME:	ID:
220-01384-00	A	138400A	2.SC. 1
PROJECT:	DESIGNER:	FILE DATE:	NO.SHEETS:
T2000	RPS	04-12-96	1



REV/ISS	AMENDMENTS	DRAWN	CHKD	D.O.	APVD	DATE

© TAIT ELECTRONICS			
TCXO SERIES 2			
T2000			
IPN:	ISSUE:	FILE NAME:	ID:
220-01389-00	A	138900A	2.SC. 1
PROJECT:	DESIGNER:	FILE DATE:	NO. SHEETS:
SERIES 2	RPS	12/9/96	1

